

**KWC**

Swiss Water Experience

Catalog  
**2016**







**Faucets for the kitchen 9**

KWC ZOE touch light PRO <b>New</b>	10
KWC ZOE	12
KWC PIANA	21
KWC ADRENA	24
KWC SAROS	27
KWC AVA	29
KWC LIVELLO	34
KWC ONO	37
KWC ONO touch light PRO	48
KWC EVE	56
KWC INOX	63
KWC SIN	67
KWC LUNA	70
KWC LUNA-S	74
KWC DOMO	75
KWC VITA PRO	79
KWC BLISS	81
KWC ORCINO	84
KWC STAR	86
KWC SYSTEMA	88
KWC Soap and lotion dispensers	93
KWC Accessories	96

**Faucets for the commercial kitchen 99**

KWC GASTRO	100
------------	-----

**Faucets for the bath 127**

KWC AVA-S <b>New</b>	128
KWC AVA	129
KWC ZOE	142
KWC PIANA	149
KWC INTRO	161
KWC ONO	167
KWC ONO touch light PRO	183
KWC DOMO	197
KWC VITA	206
KWC VITA PRO	210
KWC Vertical shut-off valve	219
KWC VAROX	220
KWC Accessories	222

**ShowerCulture 225**

KWC BOSSANOVA	226
KWC ELY	230
KWC FIT-S	231
KWC Shower heads	232
KWC Shower arms	235
KWC Shower systems	238
KWC Shower brackets	247
KWC Sliding wall bars	248
KWC Sliding wall bar kits	249
KWC Hose connections	251
KWC Shower hoses	253

**Automatic faucets 255**

KWC IQUA	256
----------	-----

**Tools/Spare parts 263**

KWC Index	272
General conditions of sale and delivery	276

# New products from KWC



## **KWC ZOE TLP**

KWC ZOE touch light PRO is a faucet controlled using smart technology. It responds intuitively to a brief touch and is extremely easy to programme to suit your personal habits and needs. The round operating unit also features a light ring, which indicates the water temperature selected – so you can be sure that you have everything under control!



## **KWC AVA-S**

With its distinctive short spout and slender shape, KWC AVA-S is sure to cut a fine figure in your bathroom. It offers a combination of Swiss quality, practical operation and sensational value for money, along with robust workmanship that guarantees exceptional resilience and durability.



## **KWC ZOE for the bathroom**

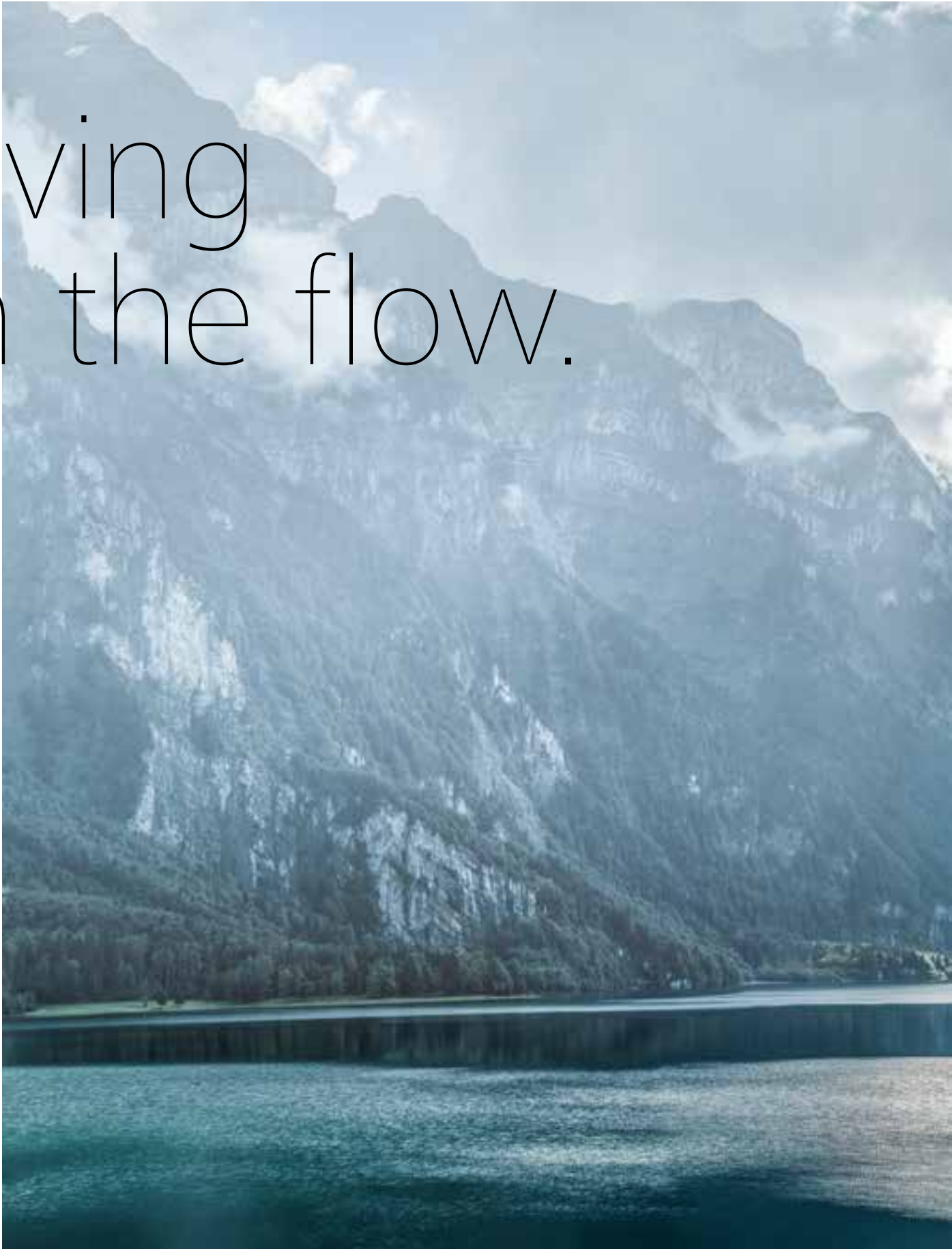
It was only a matter of time before KWC ZOE would win over the bathroom sector too, where its simple beauty and functionally sophisticated details bring a whole new dimension to the concept of luxury.



# Swiss Water Experience



Living  
in the flow.







# KWC technologies



## **luminaqua®**

A touch of a button is all it takes for this brilliant technology to transform the jet of water from the faucet into a wonderful play of light. The LEDs have a very long lifespan but use very little electricity, and the light switches off automatically after 30 to 45 minutes.



## **highflex®**

This patented spring hose can be moved flexibly in any direction. It is also easy to clean and stays reliably in place when it is not being used.



## **coolfix®**

coolfix® helps to save energy. When the lever is in its most frequent central position, cold water flows. Hot water is only used if the lever is turned to the left.



## **jetclean**

This flexible faceplate reduces the amount of cleaning effort required. When water is flowing, the cone-shaped holes expand, dislodging any limescale deposits from the surface of the faceplate. The holes contract automatically when the water flow is switched off.



## **turn and clean**

turn and clean (tac) – the name says it all: simply turn, clean and the job is done. The faceplate on kitchen sprays can be dismantled in one single movement, making it quick and easy to clean.



## **turn and lock**

turn and lock (tal) keeps things brief: simply press, turn and it locks into place. This keeps the jet of water from the kitchen spray flowing exactly where you want it.



## **tipcontrol**

On low-contact faucets with DDSA® sensor technology, users can set the water temperature themselves: one tap means cold (blue), two taps means warm (orange) and three means hot (red). Pressing the faucet for five seconds will activate the cleaning function (green).



## **colorflow**

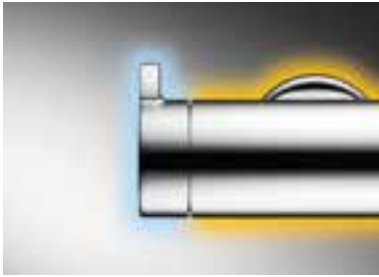
This LED display provides an accurate and continuously variable indication of the current water temperature. colorflow highlights the tip of the lever on the KWC faucet in a particularly effective way.



## **Electronic controlled**

Our TLP (touch and tip) operation for our electronically controlled faucets is a new and very easy way to change temperature and flow rate of your KWC TLP faucet. Touch once, twice or three times and you get cold, warm or hot water instantly. Temperature is indicated by a light ring from blue to red.





#### **touchcontrol**

This water guidance system with its “double skin” principle ensures that users are never scalded by their KWC faucet. The insulated hot water supply keeps the body of the faucet warm without letting it get too hot.



#### **smartcontrol**

smartcontrol keeps an eye on water consumption. Tangible resistance in the turning handle limits the amount of out-flowing water. To switch off the economy mode, twist the handle back past the catch point.



#### **hotcontrol**

Faucets with hotcontrol technology only supply water at temperatures above 38°C if the safety button on the temperature controller has been pressed deliberately. This offers users reliable protection from scalding. If the cold water supply fails, the hot water flow is automatically stopped straight away.



#### **flexguard™**

This innovative sealing membrane keeps KWC faucets watertight for a long time. It protects the control cartridge from residue left by cleaning agents and dirt. The lever support is reinforced with a metal core and integrated into the membrane, reliably preventing the lever from coming loose.



#### **KWC cartridges**

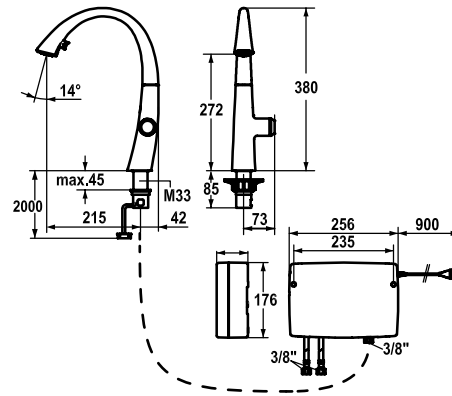
These technological masterpieces are absolutely reliable – after all, they have been tried and tested countless times. KWC cartridges feature a new integrated bottom seal that offers even more resistance against pressure surges. Some faucet lines only use KWC’s safety control cartridges that come with a reinforced stopper for limiting the temperature and can also withstand a very high level of strain on the lever.

# Faucets **for the kitchen**



**Faucets for the kitchen**

KWC ZOE touch light PRO <b>New</b>	10
KWC ZOE	12
KWC PIANA	21
KWC ADRENA	24
KWC SAROS	27
KWC AVA	29
KWC LIVELLO	34
KWC ONO	37
KWC ONO touch light PRO	48
KWC EVE	56
KWC INOX	63
KWC SIN	67
KWC LUNA	70
KWC LUNA-S	74
KWC DOMO	75
KWC VITA PRO	79
KWC BLISS	81
KWC ORCINO	84
KWC STAR	86
KWC SYSTEMA	88
KWC Soap and lotion dispensers	93
KWC Accessories	96



Article-No.	KWC-No.
<b>115.0393.145</b>	10.201.242.000FL
all chrome, A 215, flexible connection hoses, mains receiver	

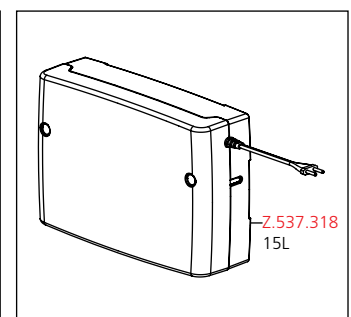
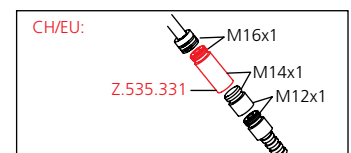
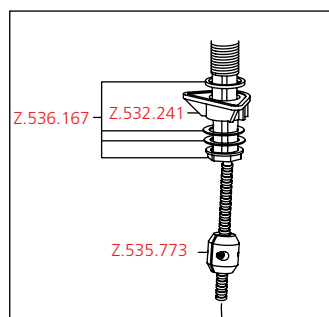
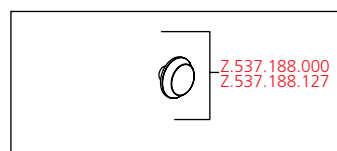
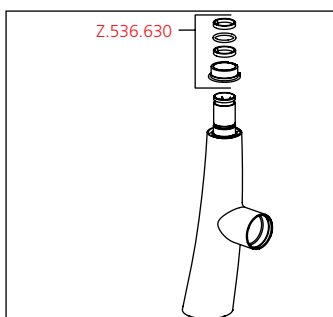
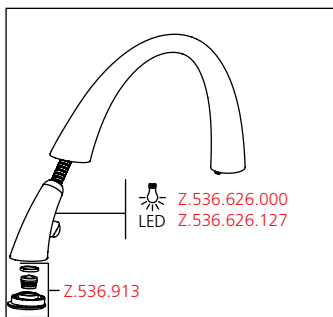
### Kitchen ▀ with LUMINAQUA® LED-technology, touch light PRO

#### Electronic controlled

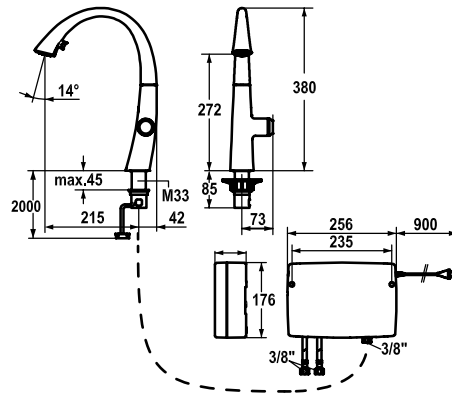
- touch light PRO technology
- touch'n'flow 1-2-3
- 3 preset temperatures and flow rates
- Position of control unit only possible on the right side
- gap between wall and centre of mounting hole min. 42 mm
- Microprocessor-control
  - touch'n'flow 1: cold water, 50% flow rate can be individually adjusted and saved
  - touch'n'flow 2: warm water, 50% flow rate can be individually adjusted and saved
  - touch'n'flow 3: hot water, 50% flow rate can be individually adjusted and saved
  - with cleaning programme
  - duration of water flow - safety indication: switch off automatically after 10 minutes
  - temperature limit can be adjusted
  - hot water disinfection (5 minutes) can be adjusted
  - can be restored to factory settings

- Covered pull-out spray
  - ergonomic spout alignment, shape and handling
  - KWC JETCLEAN technology
  - Neoperl® Cascade®
  - automatic diverter reset
  - integrated ON/OFF push-button with automatic shut-off after 30 minutes
  - up to 500 mm pull-out length
  - hose surface to fit faucet surface
- Hose guide, swivelling 270°
- touch light PRO control unit, maintenance-free
  - up-to-date microprocessor and drive technology
  - tried-and-tested valve technology
  - incl. installation materials
  - designed for wired connection to 1 operating unit (standard)
- Flexible connection hoses 3/8"
- Fastening by means of threaded sleeve M33 x 1.5
- Mounting hole size ø35 mm
- Scope of delivery:
  - Mains receiver 100-240 V / operating voltage 15 V / cable length 900 mm
- To be ordered separately (optional or if necessary):
  - Extension set 1500 mm Z.536.352, comprising: stainless steel hose 1500 mm, 3/8" x 3/8", double nipple, sealing material

Flow rate normal spray 9 l/min (3 bar)  
 Flow rate needle spray 10 l/min (3 bar)  
 Acoustic group I







Article-No.	KWC-No.
115.0393.163	10.201.242.127FL
decor steel, A 215, flexible connection hoses, mains receiver	

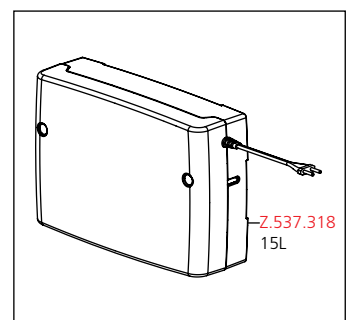
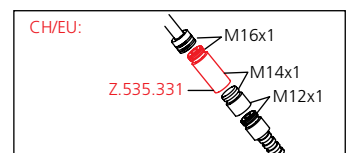
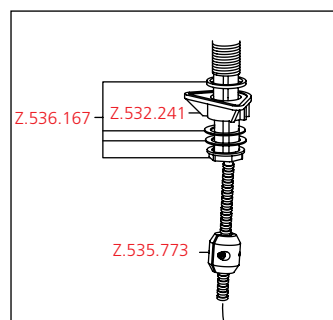
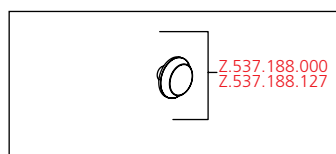
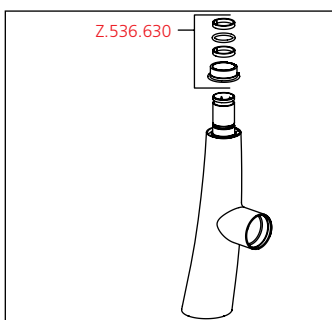
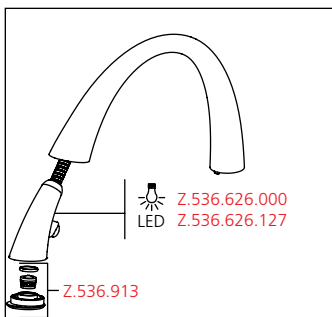
**Kitchen ▀ with LUMINAQUA® LED-technology, touch light PRO**

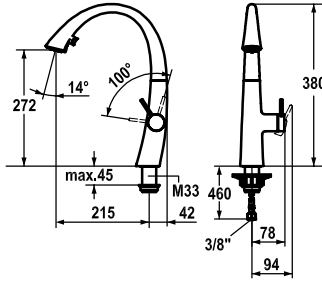
Electronic controlled

- touch light PRO technology
- touch'n'flow 1-2-3
- 3 preset temperatures and flow rates
- Position of control unit only possible on the right side
- gap between wall and centre of mounting hole min. 42 mm
- Microprocessor-control
  - touch'n'flow 1: cold water, 50% flow rate can be individually adjusted and saved
  - touch'n'flow 2: warm water, 50% flow rate can be individually adjusted and saved
  - touch'n'flow 3: hot water, 50% flow rate can be individually adjusted and saved
  - with cleaning programme
  - duration of water flow - safety indication: switch off automatically after 10 minutes
  - temperature limit can be adjusted
  - hot water disinfection (5 minutes) can be adjusted
  - can be restored to factory settings
- Covered pull-out spray

- ergonomic spout alignment, shape and handling
- KWC JETCLEAN technology
- Neoperl® Cascade®
- automatic diverter reset
- integrated ON/OFF push-button with automatic shut-off after 30 minutes
- up to 500 mm pull-out length
- hose surface to fit faucet surface
- Hose guide, swivelling 270°
- touch light PRO control unit, maintenance-free
  - up-to-date microprocessor and drive technology
  - tried-and-tested valve technology
  - incl. installation materials
  - designed for wired connection to 1 operating unit (standard)
- Flexible connection hoses 3/8"
- Fastening by means of threaded sleeve M33 x 1.5
- Mounting hole size ø35 mm
- Scope of delivery:
  - Mains receiver 100-240 V / operating voltage 15 V / cable length 900 mm
  - To be ordered separately (optional or if necessary):
  - Extension set 1500 mm Z.536.352, comprising: stainless steel hose 1500 mm, 3/8" x 3/8", double nipple, sealing material

Flow rate normal spray 9 l/min (3 bar)  
 Flow rate needle spray 10 l/min (3 bar)  
 Acoustic group I





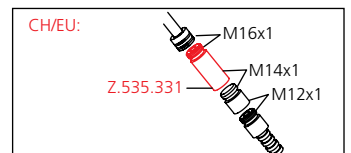
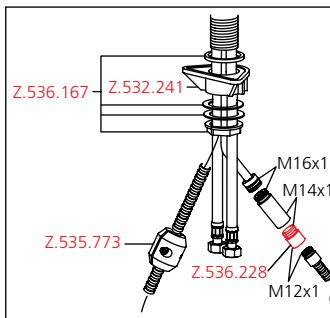
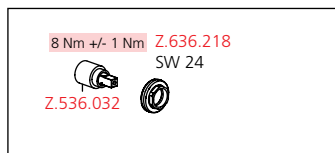
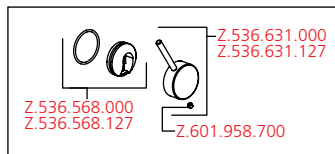
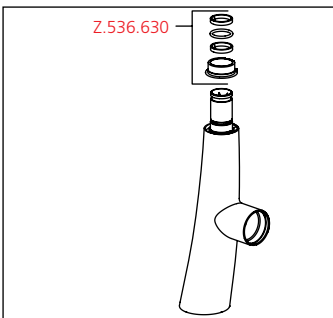
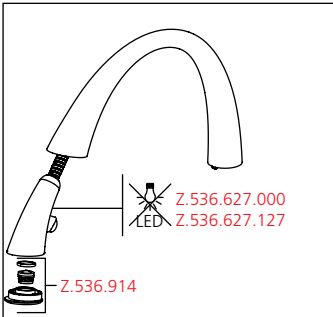
Article-No.	KWC-No.
<b>115.0307.911</b>	10.201.102.000FL
all chrome, A 215, flexible connection hoses	
<b>115.0308.235</b>	10.201.102.127FL
decor steel, A 215, flexible connection hoses	

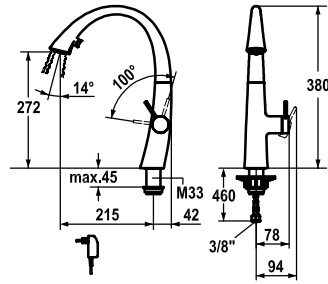
**Lever mixer ■ Kitchen**

**Lever mixer**

- Lever installation only possible on the right side
  - Child safety: cold water flow in lever position towards the front
- gap between wall and centre of mounting hole min. 42 mm
- Covered pull-out spray
  - ergonomic spout alignment, shape and handling
  - KWC JETCLEAN technology
  - Neoperl® Cascade®
  - automatic diverter reset
  - up to 500 mm pull-out length
  - hose surface to fit faucet surface
- Hose guide, swivelling 270°
- KWC cartridge S 25
  - with ceramic discs
  - flow rate and temperature continuously variable
- Flexible connection hoses 3/8"
- Fastening by means of threaded sleeve M33 x 1.5
- Mounting hole size ø35 mm

Flow rate normal spray 8 l/min (3 bar)  
 Flow rate needle spray 9 l/min (3 bar)  
 Acoustic group II





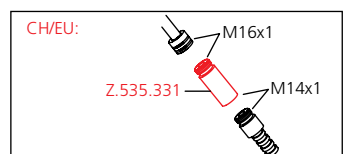
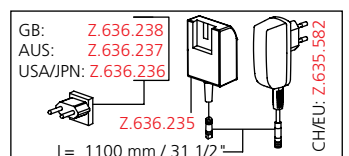
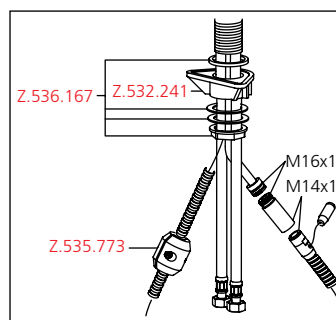
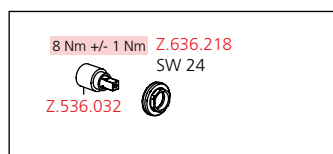
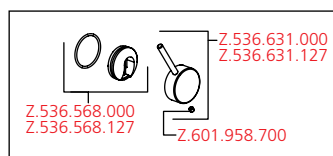
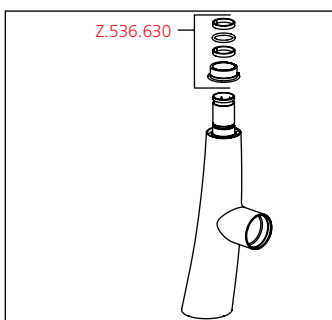
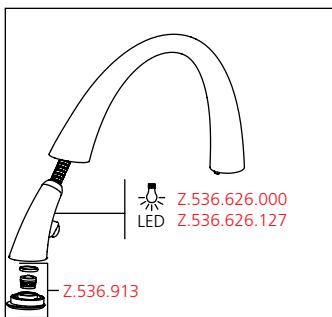
Article-No.	KWC-No.
<b>115.0307.913</b>	10.201.122.000FL
all chrome, A 215, flexible connection hoses, mains receiver	
<b>115.0308.233</b>	10.201.122.127FL
decor steel, A 215, flexible connection hoses, mains receiver	

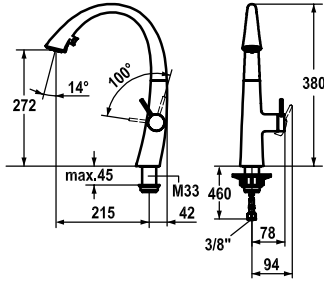
**Lever mixer ■ Kitchen ■ with LUMINAQUA® LED-technology**

**Lever mixer**

- Lever installation only possible on the right side
  - Child safety: cold water flow in lever position towards the front
- gap between wall and centre of mounting hole min. 42 mm
- Covered pull-out spray
  - ergonomic spout alignment, shape and handling
  - KWC JETCLEAN technology
  - Neoperl® Cascade®
  - automatic diverter reset
  - integrated ON/OFF push-button with automatic shut-off after 30 minutes
  - up to 500 mm pull-out length
  - hose surface to fit faucet surface
- Hose guide, swivelling 270°
- KWC cartridge S 25
  - with ceramic discs
  - flow rate and temperature continuously variable
- Flexible connection hoses 3/8"
- Fastening by means of threaded sleeve M33 x 1.5
- Mounting hole size ø35 mm
- Scope of delivery:
  - Mains receiver 100-240 V / operating voltage 6.75 V / cable length 1100 mm

Flow rate normal spray 8 l/min (3 bar)  
 Flow rate needle spray 9 l/min (3 bar)  
 Acoustic group II





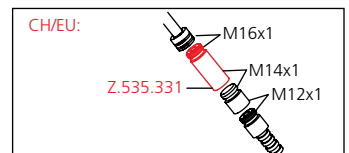
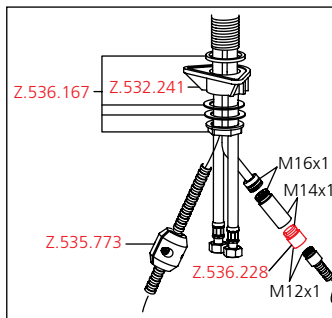
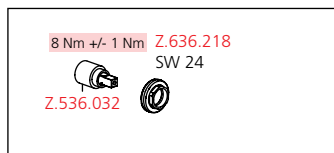
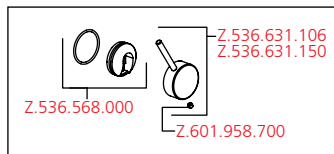
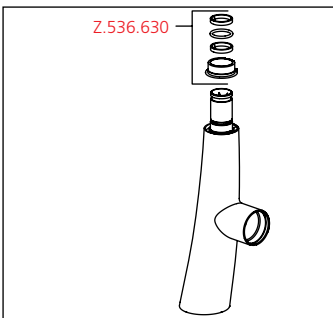
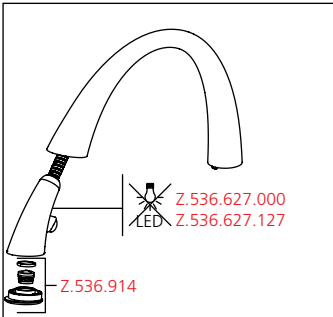
<b>Article-No.</b>	KWC-No.
<b>115.0340.019</b>	10.201.102.106FL
black, A 215, flexible connection hoses	

**Lever mixer ■ Kitchen**

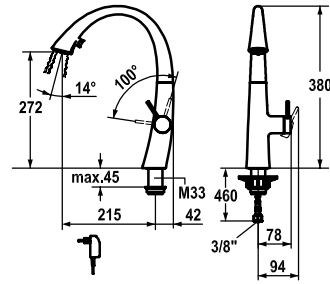
**Lever mixer**

- Lever installation only possible on the right side
  - Child safety: cold water flow in lever position towards the front
- gap between wall and centre of mounting hole min. 42 mm
- Covered pull-out spray
  - ergonomic spout alignment, shape and handling
  - KWC JETCLEAN technology
  - Neoperl® Cascade®
  - automatic diverter reset
  - up to 500 mm pull-out length
  - hose surface to fit faucet surface
- Hose guide, swivelling 270°
- KWC cartridge S 25
  - with ceramic discs
  - flow rate and temperature continuously variable
- Flexible connection hoses 3/8"
- Fastening by means of threaded sleeve M33 x 1.5
- Mounting hole size ø35 mm

Flow rate normal spray 8 l/min (3 bar)  
 Flow rate needle spray 9 l/min (3 bar)  
 Acoustic group II







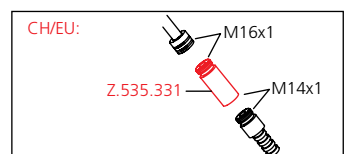
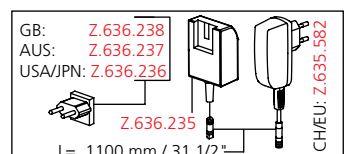
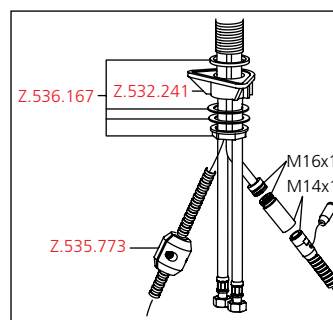
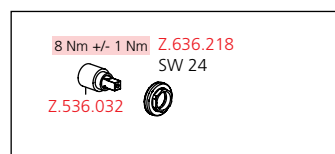
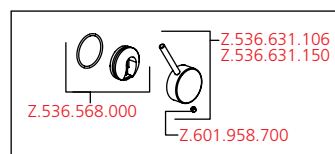
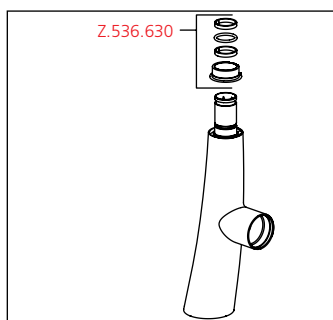
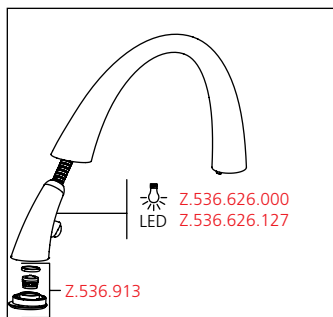
<b>Article-No.</b>	KWC-No.
<b>115.0340.013</b>	10.201.122.106FL
black, A 215, flexible connection hoses, mains receiver	

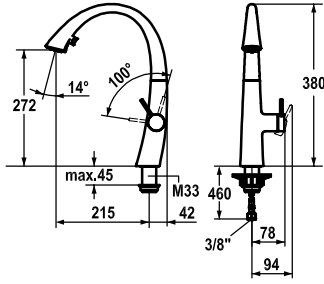
### Lever mixer ■ Kitchen ■ with LUMINAQUA® LED-technology

#### Lever mixer

- Lever installation only possible on the right side
  - Child safety: cold water flow in lever position towards the front
- gap between wall and centre of mounting hole min. 42 mm
- Covered pull-out spray
  - ergonomic spout alignment, shape and handling
  - KWC JETCLEAN technology
  - Neoperl® Cascade®
  - automatic diverter reset
  - integrated ON/OFF push-button with automatic shut-off after 30 minutes
  - up to 500 mm pull-out length
  - hose surface to fit faucet surface
- Hose guide, swivelling 270°
- KWC cartridge S 25
  - with ceramic discs
  - flow rate and temperature continuously variable
- Flexible connection hoses 3/8"
- Fastening by means of threaded sleeve M33 x 1.5
- Mounting hole size ø35 mm
- Scope of delivery:
  - Mains receiver 100-240 V / operating voltage 6.75 V / cable length 1100 mm

Flow rate normal spray 8 l/min (3 bar)  
 Flow rate needle spray 9 l/min (3 bar)  
 Acoustic group II





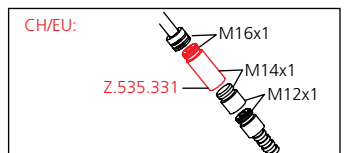
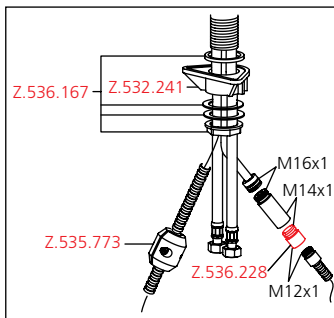
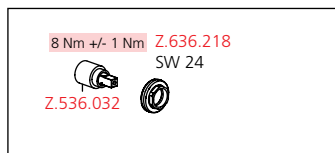
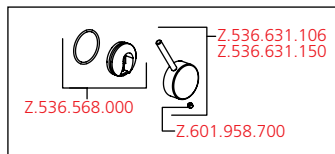
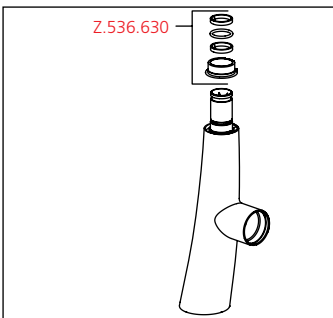
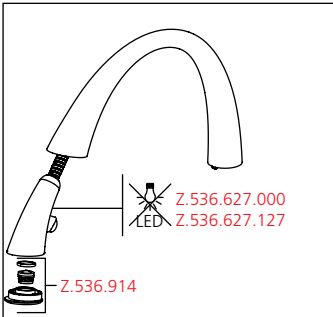
<b>Article-No.</b>	KWC-No.
<b>115.0340.020</b>	10.201.102.150FL
glacier white, A 215, flexible connection hoses	

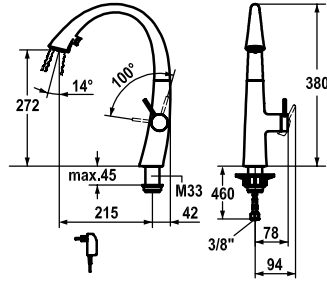
**Lever mixer ■ Kitchen**

**Lever mixer**

- Lever installation only possible on the right side
  - Child safety: cold water flow in lever position towards the front
- gap between wall and centre of mounting hole min. 42 mm
- Covered pull-out spray
  - ergonomic spout alignment, shape and handling
  - KWC JETCLEAN technology
  - Neoperl® Cascade®
  - automatic diverter reset
  - up to 500 mm pull-out length
  - hose surface to fit faucet surface
- Hose guide, swivelling 270°
- KWC cartridge S 25
  - with ceramic discs
  - flow rate and temperature continuously variable
- Flexible connection hoses 3/8"
- Fastening by means of threaded sleeve M33 x 1.5
- Mounting hole size ø35 mm

Flow rate normal spray 8 l/min (3 bar)  
 Flow rate needle spray 9 l/min (3 bar)  
 Acoustic group II





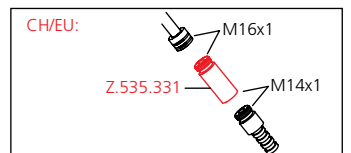
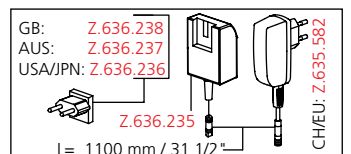
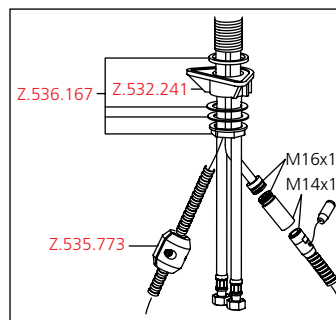
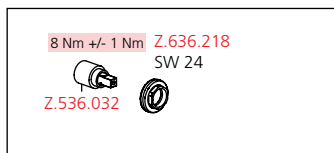
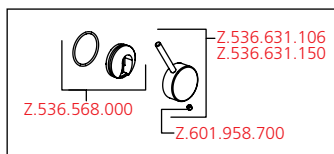
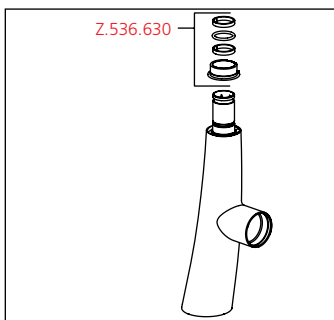
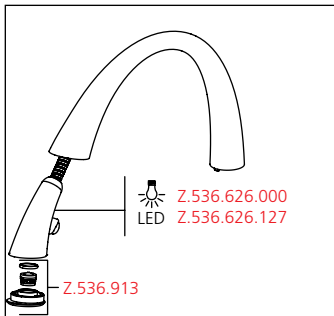
<b>Article-No.</b>	KWC-No.
<b>115.0340.014</b>	10.201.122.150FL
glacier white, A 215, flexible connection hoses, mains receiver	

**Lever mixer ■ Kitchen ■ with LUMINAQUA® LED-technology**

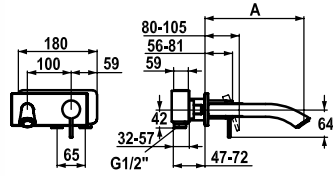
**Lever mixer**

- Lever installation only possible on the right side
  - Child safety: cold water flow in lever position towards the front
- gap between wall and centre of mounting hole min. 42 mm
- Covered pull-out spray
  - ergonomic spout alignment, shape and handling
  - KWC JETCLEAN technology
  - Neoperl® Cascade®
  - automatic diverter reset
  - integrated ON/OFF push-button with automatic shut-off after 30 minutes
  - up to 500 mm pull-out length
  - hose surface to fit faucet surface
- Hose guide, swivelling 270°
- KWC cartridge S 25
  - with ceramic discs
  - flow rate and temperature continuously variable
- Flexible connection hoses 3/8"
- Fastening by means of threaded sleeve M33 x 1.5
- Mounting hole size ø35 mm
- Scope of delivery:
  - Mains receiver 100-240 V / operating voltage 6.75 V / cable length 1100 mm

Flow rate normal spray 8 l/min (3 bar)  
 Flow rate needle spray 9 l/min (3 bar)  
 Acoustic group II







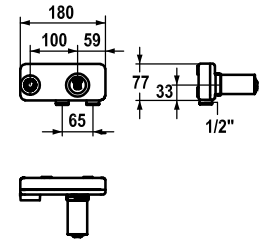
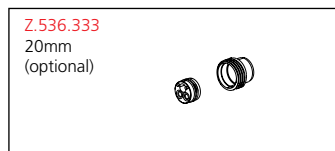
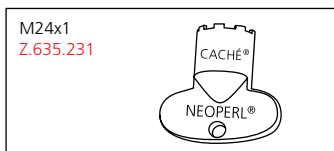
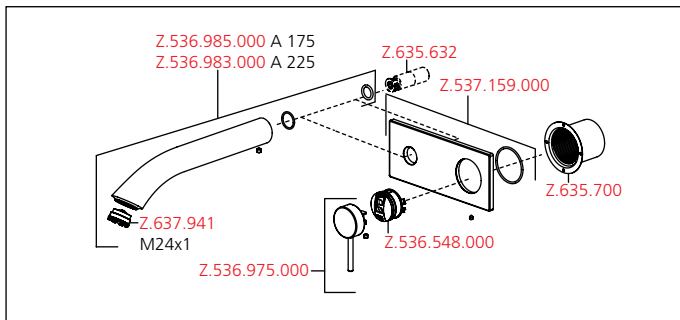
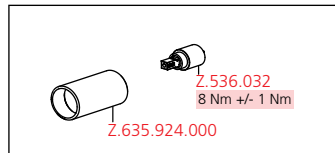
Article-No.	KWC-No.
<b>113.0360.379</b>	11.202.033.000
all chrome, A 175, Trim kit	
<b>113.0360.380</b>	11.202.034.000
all chrome, A 225, Trim kit	

**Trim kit ■ Lever mixer ■ Kitchen**

**Lever mixer**

- Fixed spout
  - Neoperl® Caché®
- KWC cartridge S 25
  - with ceramic discs
  - flow rate and temperature continuously variable
- To be ordered separately:
  - Unit for concealed installation 1/2" 39.193.400.931
  - To be ordered separately (optional or if necessary):
  - Extension set 20 mm Z.536.333

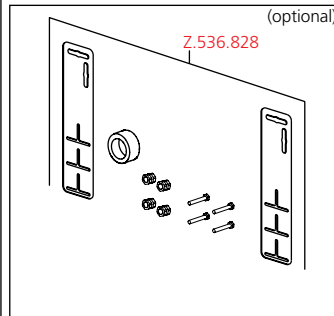
Flow rate 5 l/min (3 bar)  
Acoustic group I

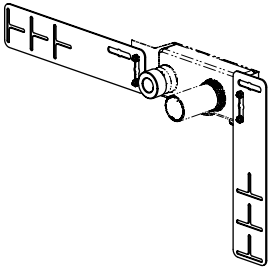


Article-No.	KWC-No.
<b>112.0308.149</b>	39.193.400.931
Concealed unit	

**Concealed unit**

- Concealed unit wall two hole
  - Connecting thread 1/2"
  - To be ordered separately:
    - Installation kit Z.536.828



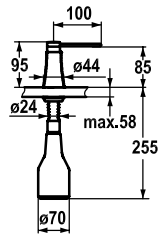


Article-No.	KWC-No.
<b>112.0362.929</b>	Z.536.828

### Installation kit

Installation kit

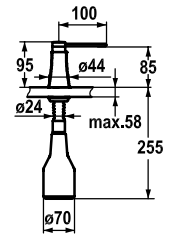
- Suitable for:
  - Concealed unit wall two hole



Article-No.	KWC-No.
<b>119.0308.341</b>	Z.536.586.000
all chrome	
<b>119.0308.352</b>	Z.536.586.127
decor steel	

### Soap dispenser KWC ZOE

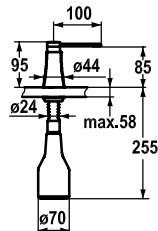
- Easily refillable from surface without disassembly
- Mounting hole size  $\varnothing 26$  mm
- Scope of delivery:
  - Pump
  - Soap container, filling capacity 300 ml



Article-No.	KWC-No.
<b>119.0340.000</b>	Z.536.586.106
black	

### Soap dispenser KWC ZOE

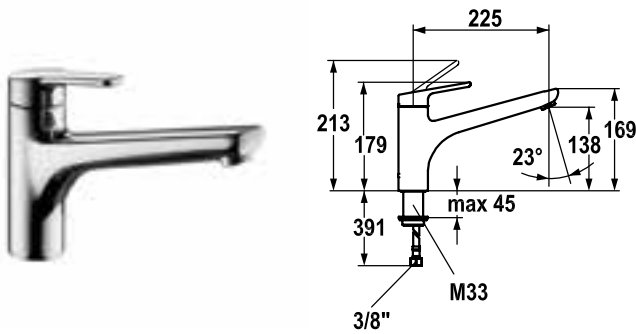
- Easily refillable from surface without disassembly
- Mounting hole size  $\varnothing 26$  mm
- Scope of delivery:
  - Pump
  - Soap container, filling capacity 300 ml



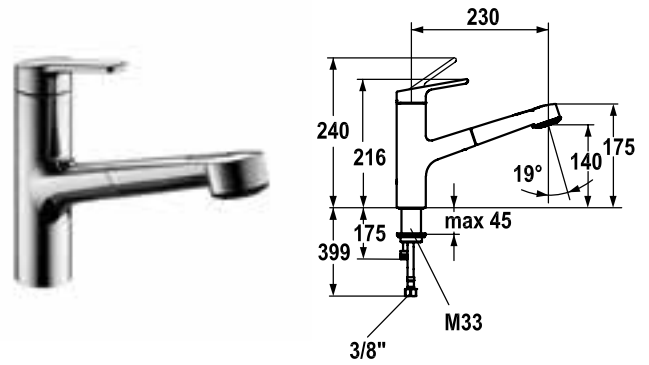
Article-No.	KWC-No.
<b>119.0340.011</b>	Z.536.586.150
glacier white	

### Soap dispenser KWC ZOE

- Easily refillable from surface without disassembly
- Mounting hole size  $\varnothing 26$  mm
- Scope of delivery:
  - Pump
  - Soap container, filling capacity 300 ml



Article-No.	KWC-No.
<b>115.0358.255</b>	10.361.023.000FL
all chrome, A 225, flexible connection hoses	



Article-No.	KWC-No.
<b>115.0358.259</b>	10.361.033.000FL
all chrome, A 230, flexible connection hoses	

**Lever mixer ■ Kitchen**

Lever mixer

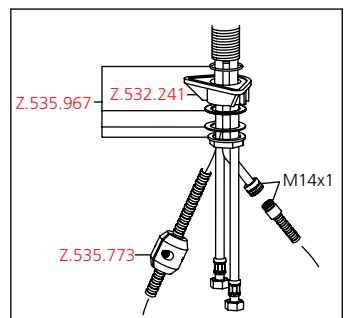
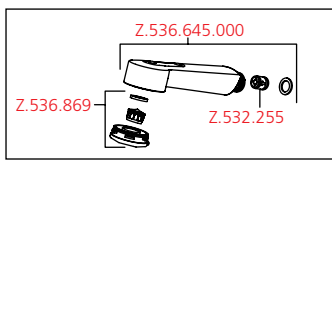
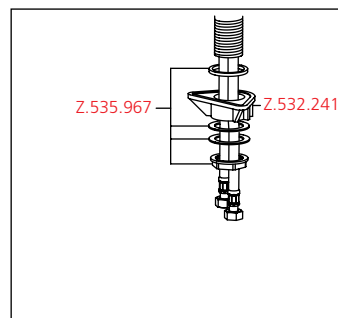
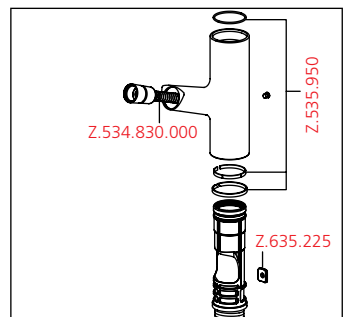
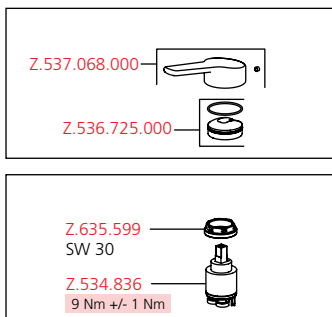
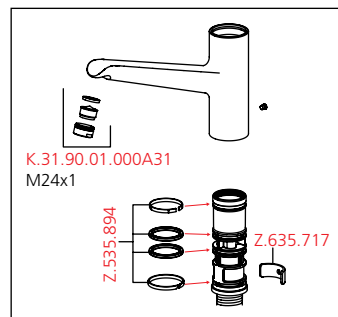
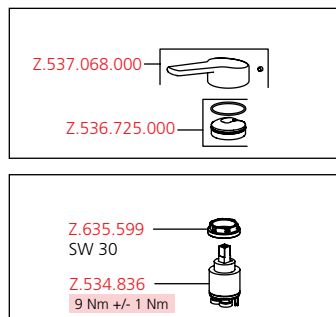
- Swivel spout 160°
  - Neoperl® Cascade®
- KWC cartridge M 35
  - with ceramic discs
  - flow rate and temperature continuously variable
- Flexible connection hoses 3/8"
- Fastening by means of threaded sleeve M33 x 1.5
- Mounting hole size ø35 mm

**Lever mixer ■ Kitchen**

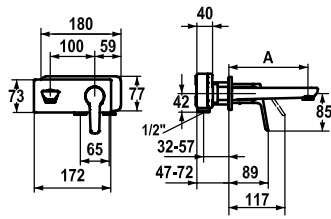
Lever mixer

- Pull-out spray with KWC JETCLEAN
  - up to 600 mm pull-out length
  - automatic diverter reset
  - hose surface to fit faucet surface
- Hose guide, swivelling 130°
- KWC cartridge M 35
  - with ceramic discs
  - flow rate and temperature continuously variable
- Flexible connection hoses 3/8"
- Fastening by means of threaded sleeve M33 x 1.5
- Mounting hole size ø35 mm

Flow rate 11 l/min (3 bar)  
Acoustic group I







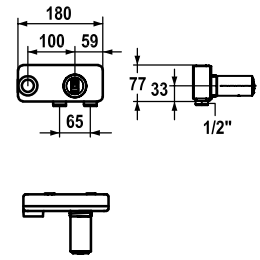
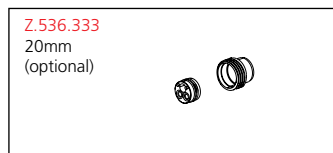
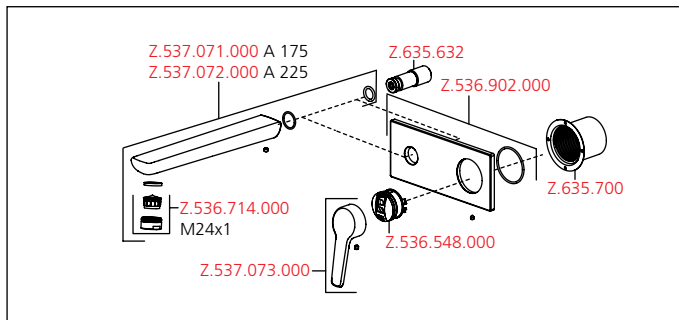
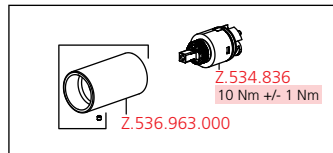
Article-No.	KWC-No.
<b>113.0358.271</b>	11.362.033.000
all chrome, A 175, Trim kit	
<b>113.0358.260</b>	11.362.034.000
all chrome, A 225, Trim kit	

**Trim kit ■ Lever mixer ■ Kitchen**

**Lever mixer**

- Fixed spout
  - Neoperl® Caché®
- KWC cartridge M 35
  - with ceramic discs
  - flow rate and temperature continuously variable
- To be ordered separately:
  - Unit for concealed installation 1/2" 39.321.400.931
  - To be ordered separately (optional or if necessary):
    - Extension set 20 mm Z.536.333

Flow rate 7.5 l/min (3 bar)  
Acoustic group I

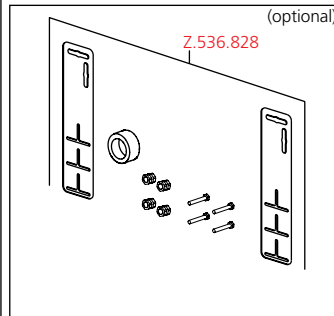


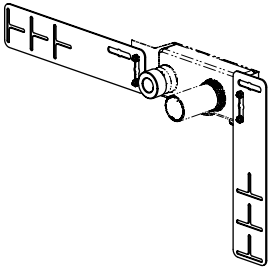
Article-No.	KWC-No.
<b>112.0352.070</b>	39.321.400.931
Concealed unit	

**Concealed unit**

**Concealed unit wall two hole**

- Connecting thread 1/2"
- To be ordered separately:
  - Installation kit Z.536.828



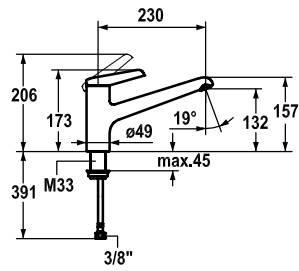


Article-No.	KWC-No.
<b>112.0362.929</b>	Z.536.828

### Installation kit

Installation kit

- Suitable for:
  - Concealed unit wall two hole



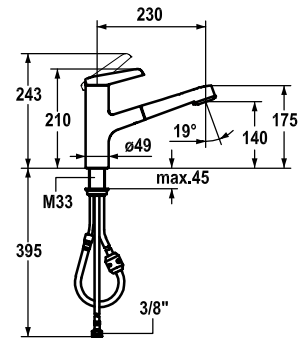
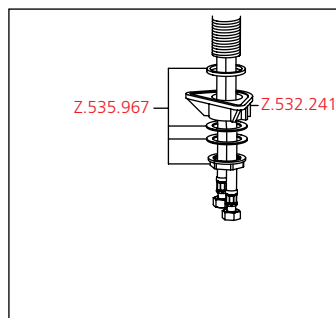
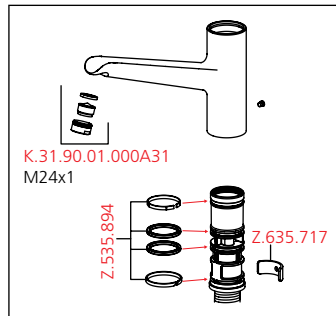
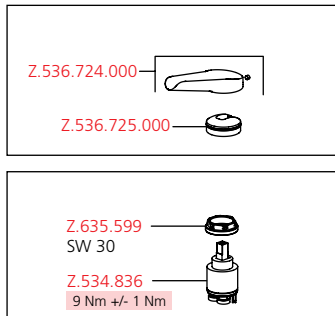
Article-No.	KWC-No.
<b>115.0307.925</b>	10.321.023.000FL
all chrome, A 230, flexible connection hoses	

**Lever mixer ■ Kitchen**

Lever mixer

- Swivel spout 160°
  - Neoperl® Cascade®
- KWC cartridge M 35
  - with ceramic discs
  - flow rate and temperature continuously variable
- Flexible connection hoses 3/8"
- Fastening by means of threaded sleeve M33 x 1.5
- Mounting hole size ø35 mm

Flow rate 12 l/min (3 bar)  
Acoustic group I



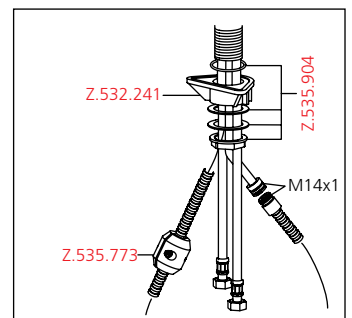
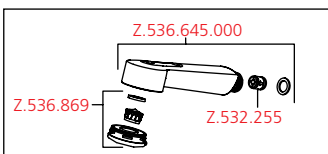
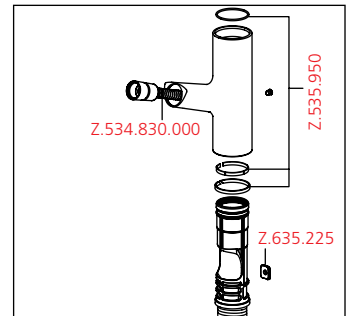
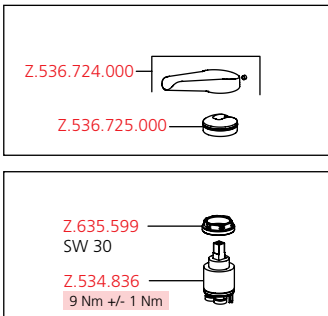
Article-No.	KWC-No.
<b>115.0307.926</b>	10.321.033.000FL
all chrome, A 230, flexible connection hoses	

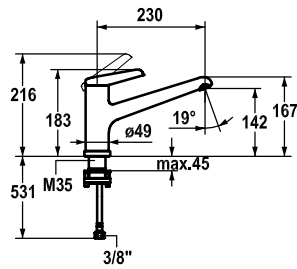
**Lever mixer ■ Kitchen**

Lever mixer

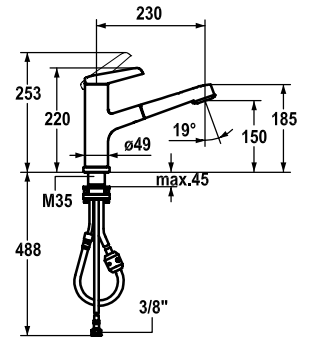
- Pull-out spray with KWC JETCLEAN
  - up to 600 mm pull-out length
  - automatic diverter reset
  - hose surface to fit faucet surface
- Hose guide, swivelling 130°
- KWC cartridge M 35
  - with ceramic discs
  - flow rate and temperature continuously variable
- Flexible connection hoses 3/8"
- Fastening by means of threaded sleeve M33 x 1.5
- Mounting hole size ø35 mm

Flow rate normal spray 11 l/min (3 bar)  
Flow rate needle spray 12 l/min (3 bar)  
Acoustic group I





Article-No.	KWC-No.
<b>115.0308.251</b>	10.321.043.000FL
all chrome, A 230, flexible connection hoses	



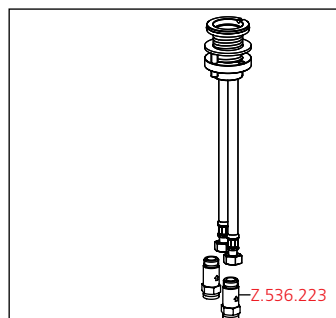
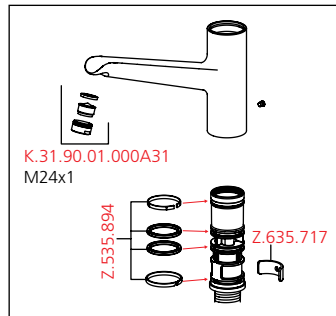
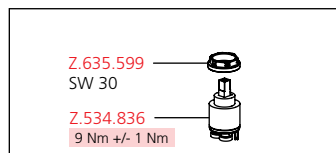
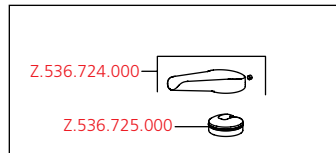
Article-No.	KWC-No.
<b>115.0308.248</b>	10.321.053.000FL
all chrome, A 230, flexible connection hoses	

**Lever mixer ■ Kitchen ■ detachable**

Lever mixer

- Detachable for installation below windows - detached 55 mm
- Intrinsicly safe against backflow
- Swivel spout 160°
  - Neoperl® Cascade®
- KWC cartridge M 35
  - with ceramic discs
  - flow rate and temperature continuously variable
- Flexible connection hoses 3/8"
- Fastening by means of threaded sleeve M35 x 1.5 (preassembled socket)
- Mounting hole size ø35 - 37 mm

Flow rate 12 l/min (3 bar)  
Acoustic group I

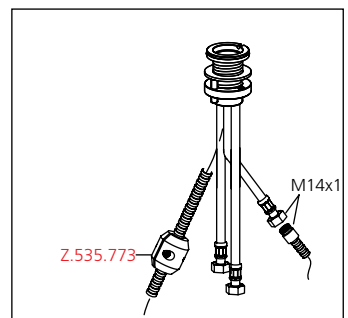
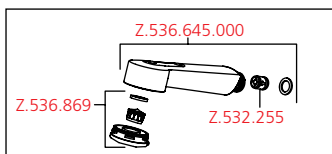
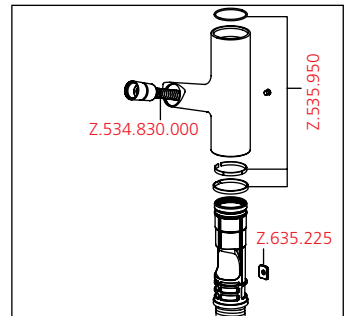
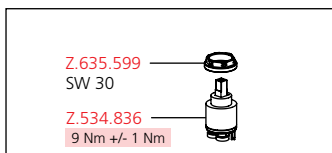
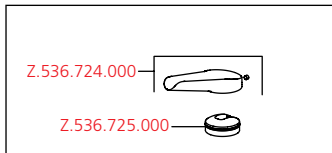


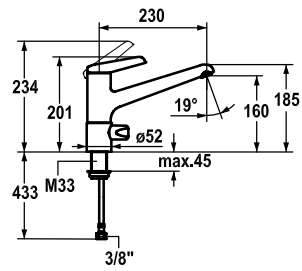
**Lever mixer ■ Kitchen ■ detachable**

Lever mixer

- Detachable for installation below windows - detached 55 mm
- Intrinsicly safe against backflow
- Pull-out spray with KWC JETCLEAN
  - up to 600 mm pull-out length
  - automatic diverter reset
  - hose surface to fit faucet surface
- Hose guide, swivelling 130°
- KWC cartridge M 35
  - with ceramic discs
  - flow rate and temperature continuously variable
- Flexible connection hoses 3/8"
- Fastening by means of threaded sleeve M35 x 1.5 (preassembled socket)
- Mounting hole size ø35 - 37 mm

Flow rate normal spray 10 l/min (3 bar)  
Flow rate needle spray 10 l/min (3 bar)  
Acoustic group I





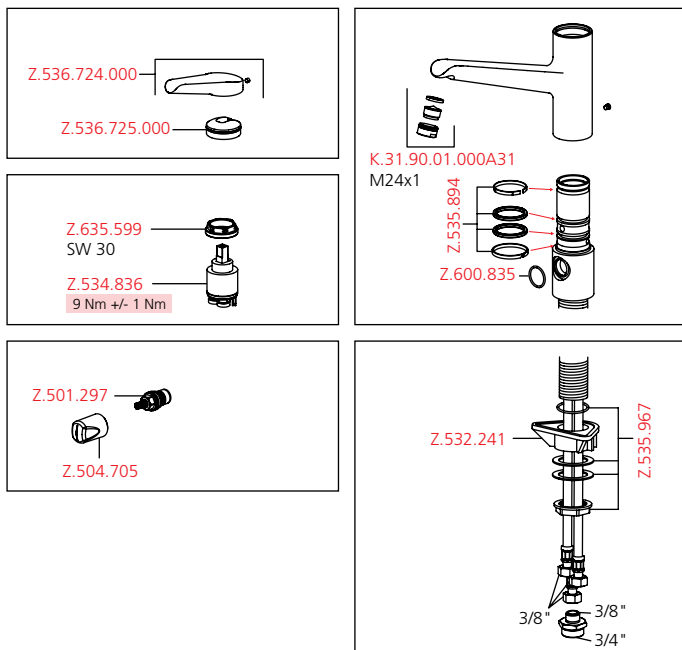
Article-No.	KWC-No.
<b>115.0308.252</b>	10.321.063.000FL
all chrome, A 230, flexible connection hoses	

### Lever mixer ■ Kitchen ■ Integrated shut-off valve

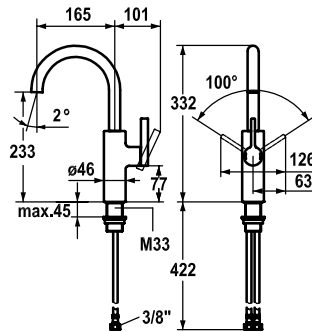
#### Lever mixer

- Default shut-off valve position
- Swivel spout 140°
  - Neoperl® Cascade®
- KWC cartridge M 35
  - with ceramic discs
  - flow rate and temperature continuously variable
- Flexible connection hoses 3/8"
- Fastening by means of threaded sleeve M33 x 1.5
- Mounting hole size ø35 mm

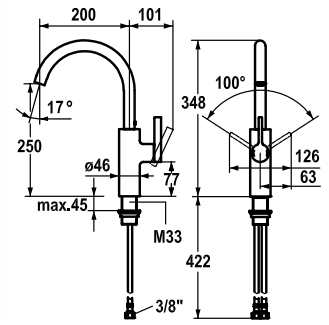
Flow rate 12 l/min (3 bar)  
Acoustic group II







**Article-No.** 115.0315.705  
**KWC-No.** 10.181.992.000FL  
 all chrome, A 165, flexible connection hoses



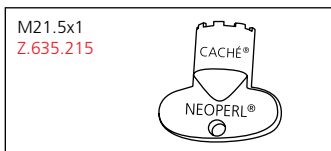
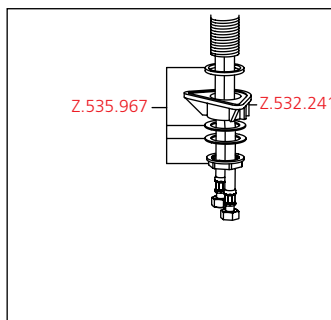
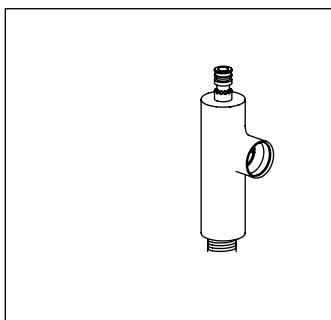
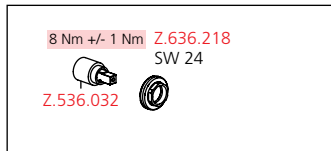
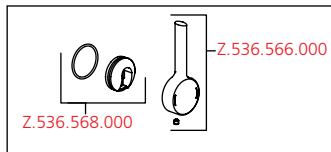
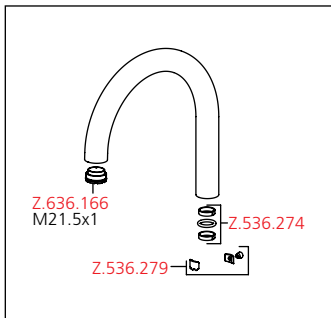
**Article-No.** 115.0315.704  
**KWC-No.** 10.181.012.000FL  
 all chrome, A 200, flexible connection hoses

**Lever mixer ■ Kitchen**

**Lever mixer**

- Lever installation only possible on the right side
  - Child safety: cold water flow in lever position towards the front
- gap between wall and centre of mounting hole min. 65 mm
- Swivel spout 160°
  - Neoperl® Caché®
- KWC cartridge S 25
  - with ceramic discs
  - flow rate and temperature continuously variable
- Flexible connection hoses 3/8"
- Fastening by means of threaded sleeve M33 x 1.5
- Mounting hole size ø35 mm

Flow rate 12 l/min (3 bar)  
 Acoustic group I

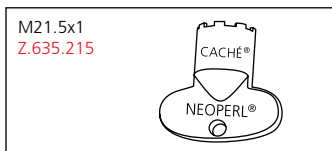
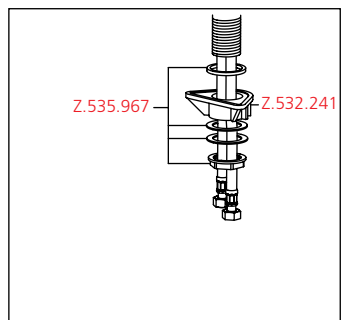
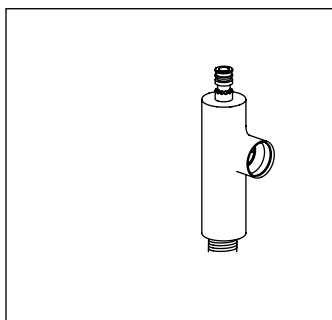
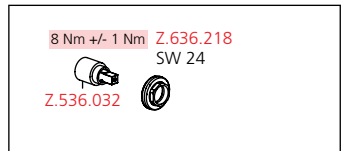
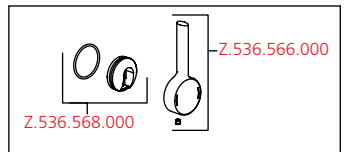
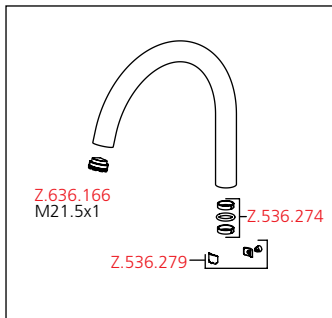


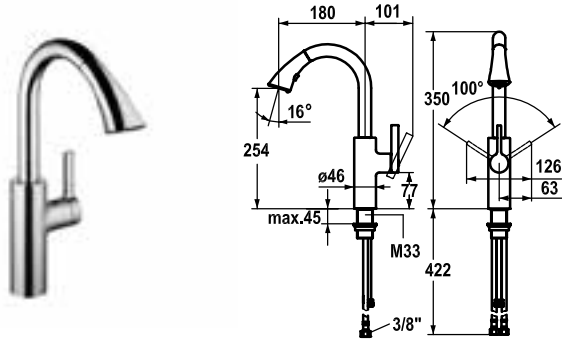
**Lever mixer ■ Kitchen**

**Lever mixer**

- Lever installation only possible on the right side
  - Child safety: cold water flow in lever position towards the front
- gap between wall and centre of mounting hole min. 65 mm
- Swivel spout 160°
  - Neoperl® Caché®
- KWC cartridge S 25
  - with ceramic discs
  - flow rate and temperature continuously variable
- Flexible connection hoses 3/8"
- Fastening by means of threaded sleeve M33 x 1.5
- Mounting hole size ø35 mm

Flow rate 12 l/min (3 bar)  
 Acoustic group I





Article-No.	KWC-No.
<b>115.0307.903</b>	10.181.002.000FL
all chrome, A 180, flexible connection hoses	

**Lever mixer ■ Kitchen**

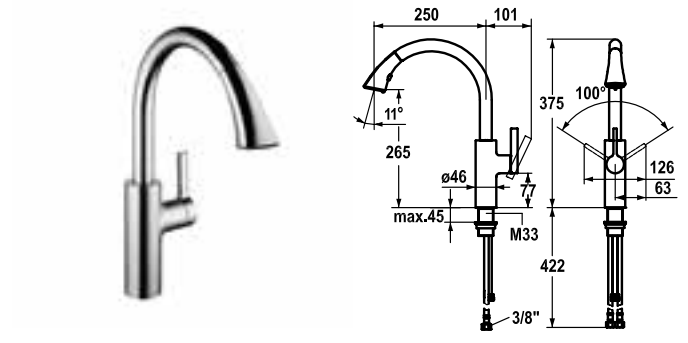
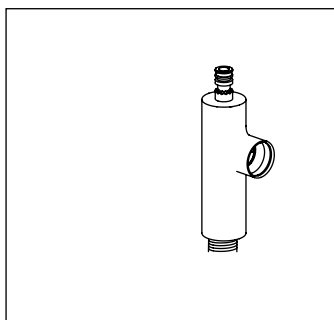
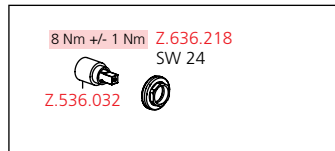
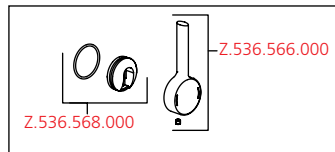
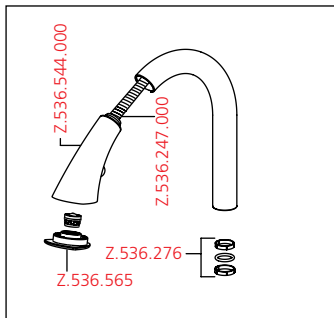
Lever mixer

- Lever installation only possible on the right side
  - Child safety: cold water flow in lever position towards the front
- gap between wall and centre of mounting hole min. 65 mm
- Pull-out spray - magnetic tight-fit holder
  - ergonomic spout alignment, shape and handling
  - KWC JETCLEAN technology
  - Neoperl® Cascade®
  - automatic diverter reset
  - up to 600 mm pull-out length
  - hose surface to fit faucet surface
- Hose guide, swivelling 360°
- KWC cartridge S 25
  - with ceramic discs
  - flow rate and temperature continuously variable
- Flexible connection hoses 3/8"
- Fastening by means of threaded sleeve M33 x 1.5
- Mounting hole size ø35 mm

Flow rate normal spray 8 l/min (3 bar)

Flow rate needle spray 8 l/min (3 bar)

Acoustic group I



Article-No.	KWC-No.
<b>115.0307.902</b>	10.181.003.000FL
all chrome, A 250, flexible connection hoses	

**Lever mixer ■ Kitchen**

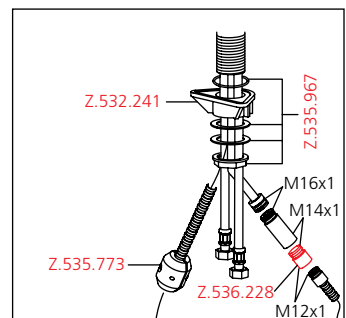
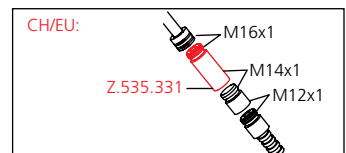
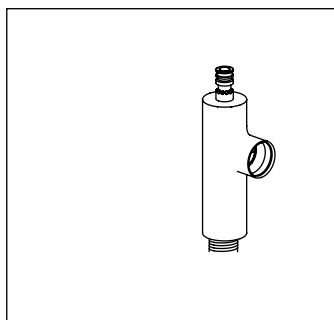
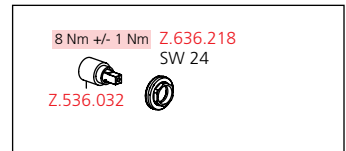
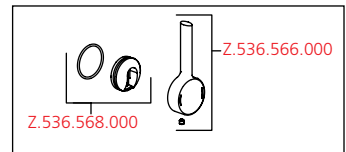
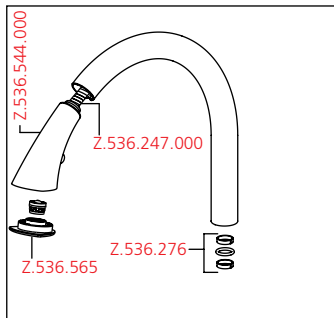
Lever mixer

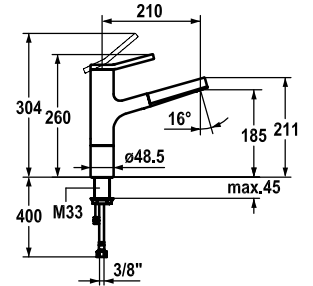
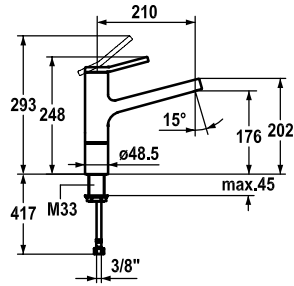
- Lever installation only possible on the right side
  - Child safety: cold water flow in lever position towards the front
- gap between wall and centre of mounting hole min. 65 mm
- Pull-out spray - magnetic tight-fit holder
  - ergonomic spout alignment, shape and handling
  - KWC JETCLEAN technology
  - Neoperl® Cascade®
  - automatic diverter reset
  - up to 600 mm pull-out length
  - hose surface to fit faucet surface
- Hose guide, swivelling 360°
- KWC cartridge S 25
  - with ceramic discs
  - flow rate and temperature continuously variable
- Flexible connection hoses 3/8"
- Fastening by means of threaded sleeve M33 x 1.5
- Mounting hole size ø35 mm

Flow rate normal spray 8 l/min (3 bar)

Flow rate needle spray 8 l/min (3 bar)

Acoustic group I





Article-No.	KWC-No.
<b>115.0200.123</b>	10.191.023.000FL
all chrome, A 210, flexible connection hoses	
<b>115.0308.240</b>	10.191.023.127FL
decor steel, A 210, flexible connection hoses	

Article-No.	KWC-No.
<b>115.0308.200</b>	10.191.113.000FL
all chrome, A 210, flexible connection hoses	
<b>115.0308.242</b>	10.191.113.127FL
decor steel, A 210, flexible connection hoses	

**Lever mixer ■ Kitchen**

Lever mixer

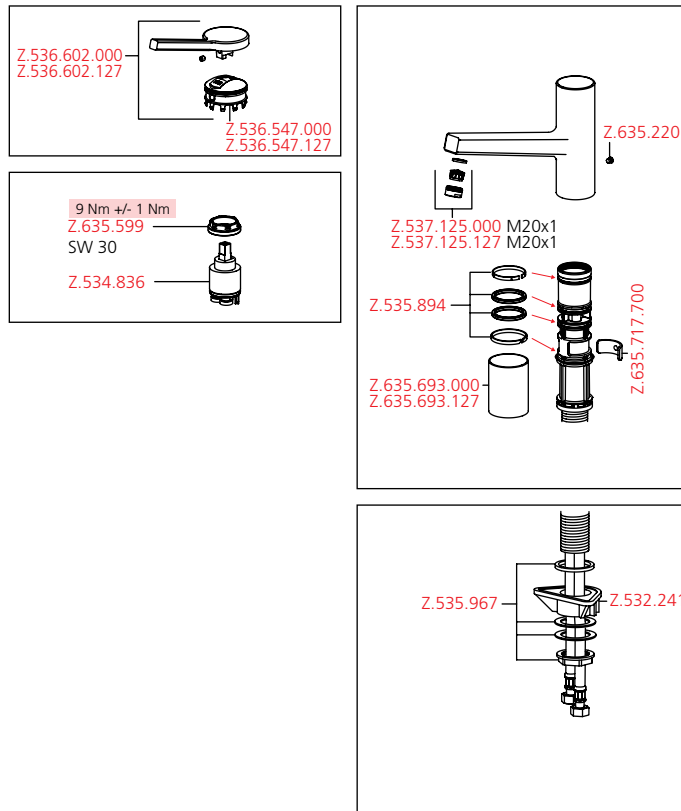
- Swivel spout 160°
  - Neoperl® Perlator®
- KWC cartridge M 35
  - with ceramic discs
  - flow rate and temperature continuously variable
- Flexible connection hoses 3/8"
- Fastening by means of threaded sleeve M33 x 1.5
- Mounting hole size ø35 mm

**Lever mixer ■ Kitchen**

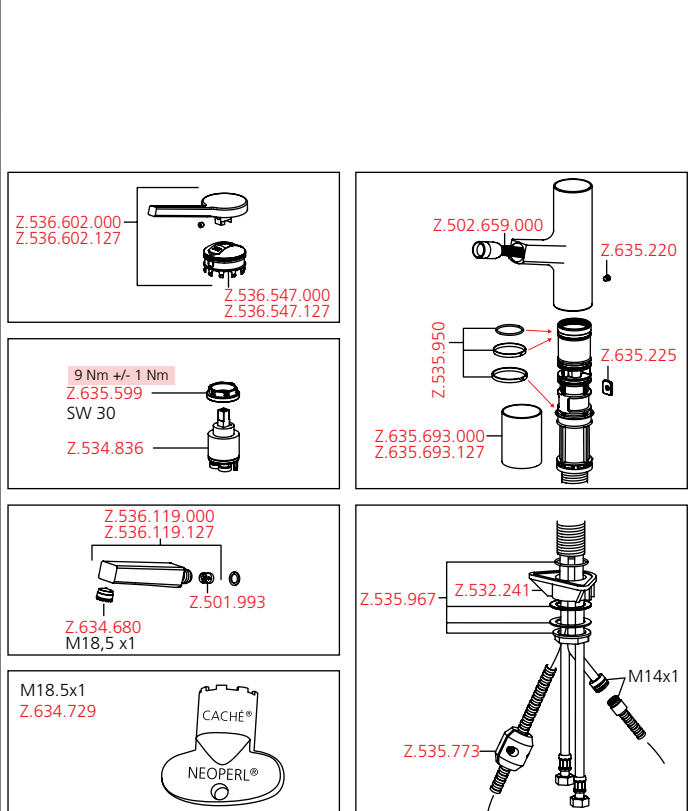
Lever mixer

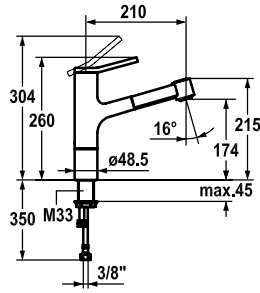
- Pull-out aerator
  - Neoperl® Caché®
  - up to 700 mm pull-out length
  - hose surface to fit faucet surface
- Hose guide, swivelling 130°
- KWC cartridge M 35
  - with ceramic discs
  - flow rate and temperature continuously variable
- Flexible connection hoses 3/8"
- Fastening by means of threaded sleeve M33 x 1.5
- Mounting hole size ø35 mm

Flow rate 12 l/min (3 bar)  
Acoustic group I



Flow rate 9 l/min (3 bar)  
Acoustic group I





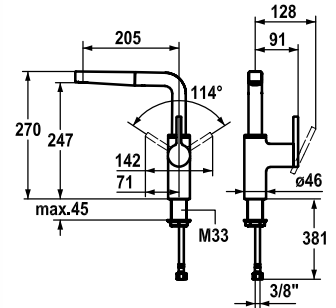
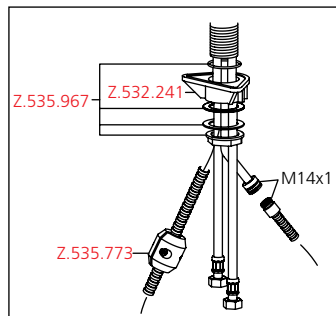
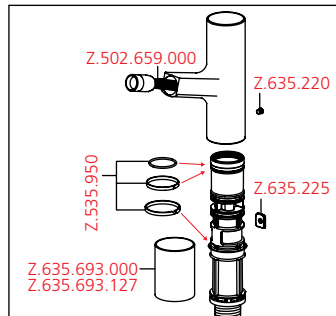
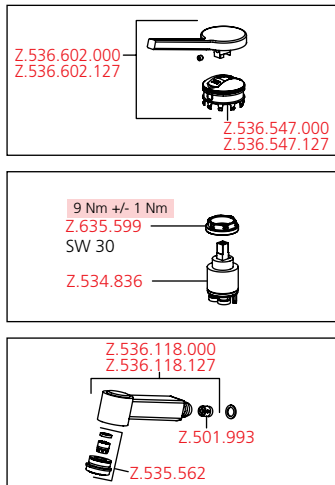
Article-No.	KWC-No.
<b>115.0200.124</b>	10.191.033.000FL
all chrome, A 210, flexible connection hoses	
<b>115.0308.241</b>	10.191.033.127FL
decor steel, A 210, flexible connection hoses	

**Lever mixer ■ Kitchen**

Lever mixer

- Pull-out spray with KWC JETCLEAN
  - up to 700 mm pull-out length
  - automatic diverter reset
  - hose surface to fit faucet surface
- Hose guide, swivelling 130°
- KWC cartridge M 35
  - with ceramic discs
  - flow rate and temperature continuously variable
- Flexible connection hoses 3/8"
- Fastening by means of threaded sleeve M33 x 1.5
- Mounting hole size ø35 mm

Flow rate normal spray 9 l/min (3 bar)  
 Flow rate needle spray 10 l/min (3 bar)  
 Acoustic group I



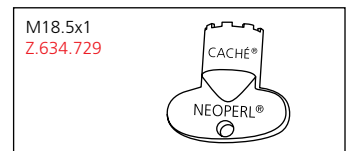
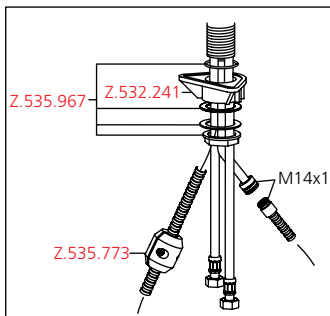
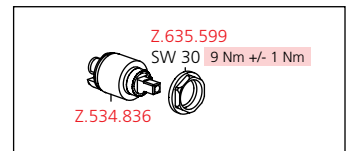
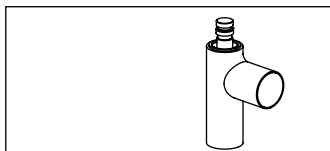
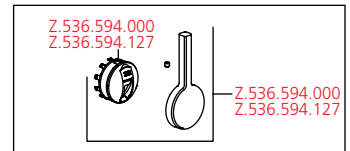
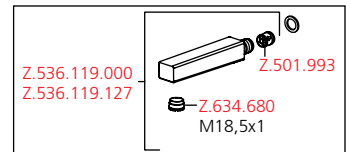
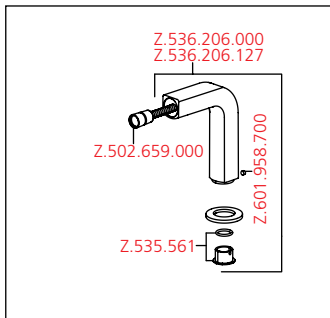
Article-No.	KWC-No.
<b>115.0309.244</b>	10.191.103.000FL
all chrome, A 205, flexible connection hoses	
<b>115.0308.243</b>	10.191.103.127FL
decor steel, A 205, flexible connection hoses	

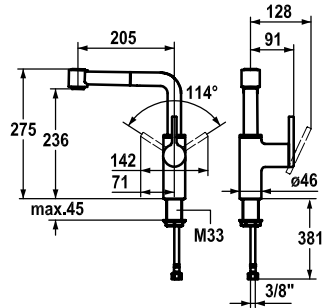
**Lever mixer ■ Kitchen**

Lever mixer

- Lever installation possible on the right or left side
- Pull-out aerator
  - Neoperl® Caché®
  - up to 600 mm pull-out length
  - hose surface to fit faucet surface
- Hose guide, swivelling 360°
- KWC cartridge M 35
  - with ceramic discs
  - flow rate and temperature continuously variable
- Flexible connection hoses 3/8"
- Fastening by means of threaded sleeve M33 x 1.5
- Mounting hole size ø35 mm

Flow rate 9 l/min (3 bar)  
 Acoustic group I





Article-No.	KWC-No.
<b>115.0309.243</b>	10.191.003.000FL
all chrome, A 205, flexible connection hoses	
<b>115.0308.244</b>	10.191.003.127FL
decor steel, A 205, flexible connection hoses	

**Lever mixer ■ Kitchen**

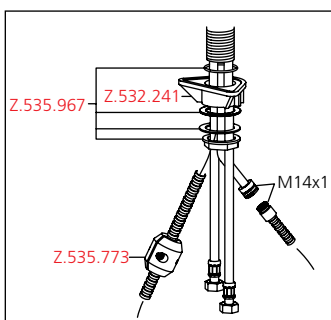
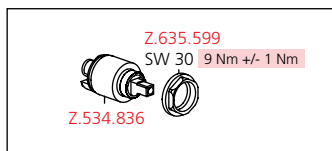
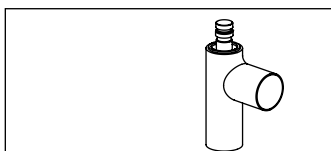
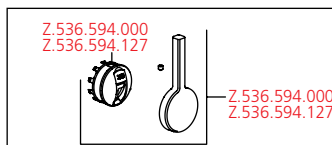
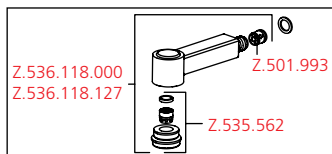
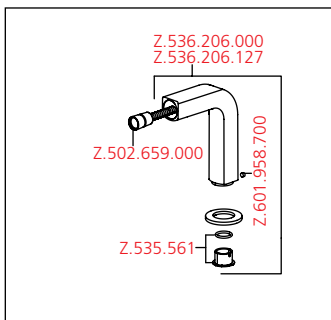
Lever mixer

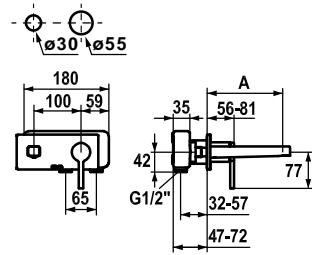
- Lever installation possible on the right or left side
- Pull-out spray with KWC JETCLEAN
  - up to 600 mm pull-out length
  - automatic diverter reset
  - hose surface to fit faucet surface
- Hose guide, swivelling 360°
- KWC cartridge M 35
  - with ceramic discs
  - flow rate and temperature continuously variable
- Flexible connection hoses 3/8"
- Fastening by means of threaded sleeve M33 x 1.5
- Mounting hole size ø35 mm

Flow rate normal spray 9 l/min (3 bar)

Flow rate needle spray 10 l/min (3 bar)

Acoustic group I





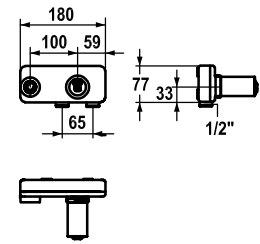
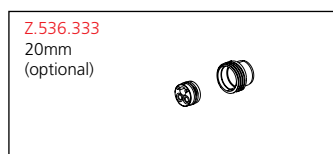
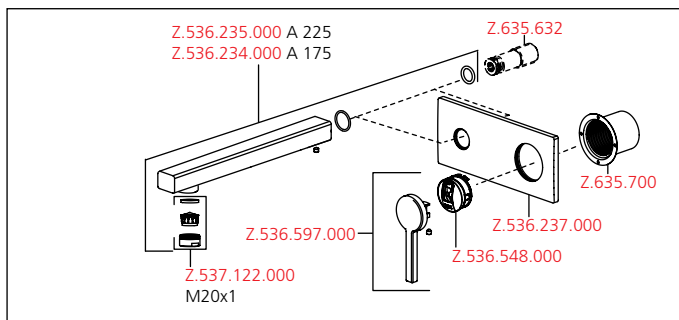
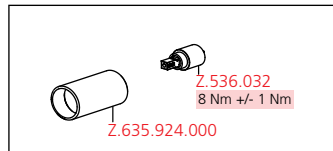
Article-No.	KWC-No.
<b>115.0308.205</b>	11.192.033.000
all chrome, A 175, Trim kit	
<b>115.0308.206</b>	11.192.034.000
all chrome, A 225, Trim kit	

**Trim kit ■ Lever mixer ■ Kitchen**

**Lever mixer**

- Fixed spout
  - Neoperl® Caché®
- KWC cartridge S 25
  - with ceramic discs
  - flow rate and temperature continuously variable
- To be ordered separately:
  - Unit for concealed installation ½" 39.193.400.931
  - To be ordered separately (optional or if necessary):
  - Extension set 20 mm Z.536.333

Flow rate 7.5 l/min (3 bar)  
Acoustic group I

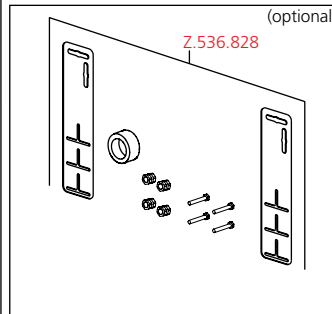


Article-No.	KWC-No.
<b>112.0308.149</b>	39.193.400.931
Concealed unit	

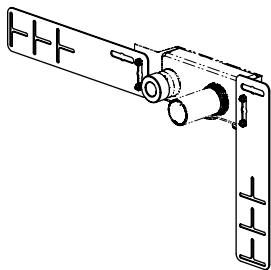
**Concealed unit**

**Concealed unit wall two hole**

- Connecting thread ½"
- To be ordered separately:
  - Installation kit Z.536.828





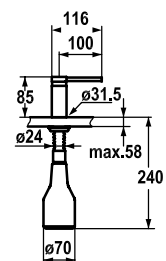


Article-No.	KWC-No.
<b>112.0362.929</b>	Z.536.828

### Installation kit

Installation kit

- Suitable for:
  - Concealed unit wall two hole

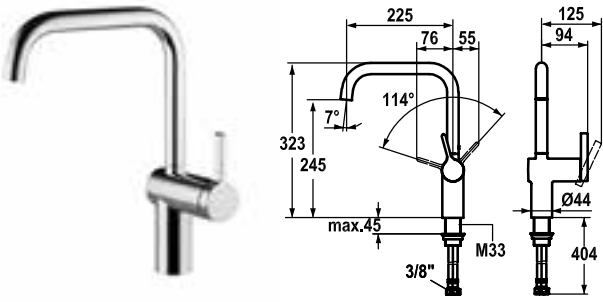


Article-No.	KWC-No.
<b>119.0200.126</b>	Z.536.159.000
all chrome	
<b>119.0308.347</b>	Z.536.159.127
decor steel	

### Soap dispensers

Soap dispenser KWC AVA

- Easily refillable from surface without disassembly
- Mounting hole size  $\varnothing 26$  mm
- Scope of delivery:
  - Pump
  - Soap container, filling capacity 300 ml



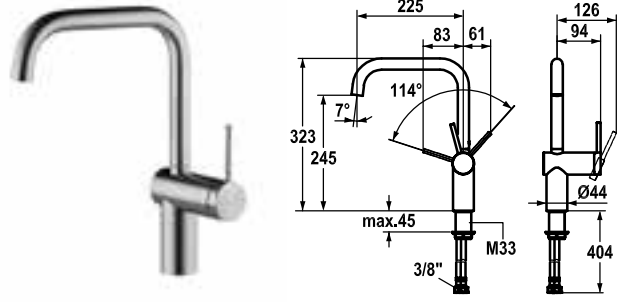
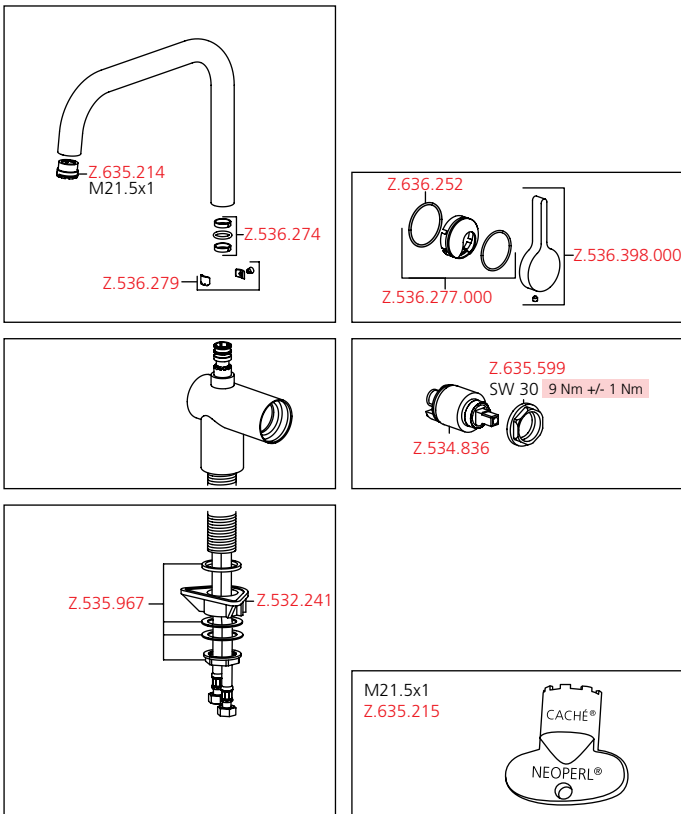
Article-No.	KWC-No.
<b>115.0308.215</b>	10.231.013.000FL
all chrome, A 225, flexible connection hoses	

**Lever mixer ■ Kitchen**

Lever mixer

- Lever installation only possible on the right side
- Child safety: cold water flow in lever position towards the front
- gap between wall and centre of mounting hole min. 60 mm
- Swivel spout 160°
- Neoperl® Caché®
- KWC cartridge M 35
- with ceramic discs
- flow rate and temperature continuously variable
- Flexible connection hoses 3/8"
- Fastening by means of threaded sleeve M33 x 1.5
- Mounting hole size ø35 mm

Flow rate 11 l/min (3 bar)  
Acoustic group I



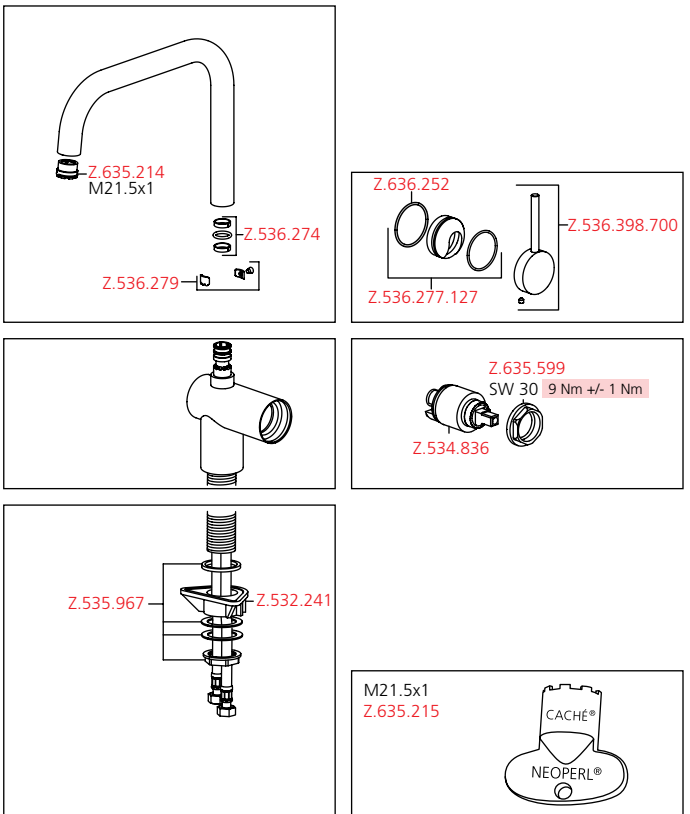
Article-No.	KWC-No.
<b>115.0308.216</b>	10.231.013.700FL
stainless steel, A 225, flexible connection hoses	

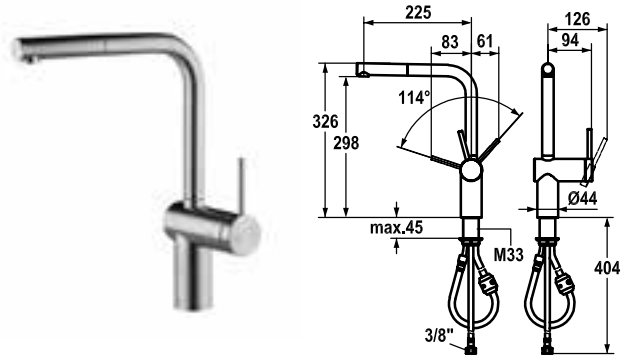
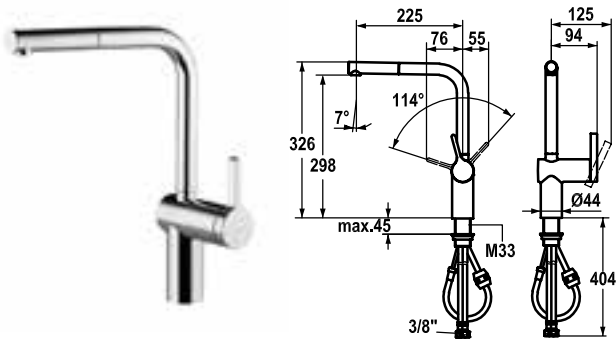
**Lever mixer ■ Kitchen**

Lever mixer

- Lever installation only possible on the right side
- Child safety: cold water flow in lever position towards the front
- gap between wall and centre of mounting hole min. 65 mm
- Swivel spout 160°
- Neoperl® Caché®
- KWC cartridge M 35
- with ceramic discs
- flow rate and temperature continuously variable
- Flexible connection hoses 3/8"
- Fastening by means of threaded sleeve M33 x 1.5
- Mounting hole size ø35 mm

Flow rate 11 l/min (3 bar)  
Acoustic group I





Article-No.	KWC-No.
<b>115.0308.213</b>	10.231.103.000FL
all chrome, A 225, flexible connection hoses	

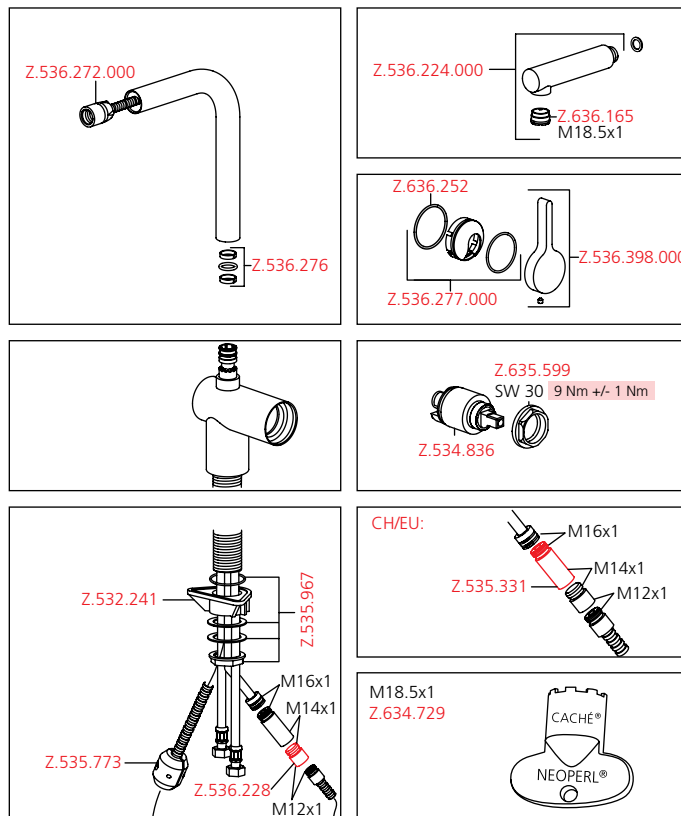
Article-No.	KWC-No.
<b>115.0308.214</b>	10.231.103.700FL
stainless steel, A 225, flexible connection hoses	

**Lever mixer ■ Kitchen**

Lever mixer

- Lever installation only possible on the right side
- Child safety: cold water flow in lever position towards the front
- gap between wall and centre of mounting hole min. 60 mm
- Pull-out aerator
- Neoperl® Caché®
- up to 600 mm pull-out length
- hose surface to fit faucet surface
- Hose guide, swivelling 360°
- KWC cartridge M 35
- with ceramic discs
- flow rate and temperature continuously variable
- Flexible connection hoses 3/8"
- Fastening by means of threaded sleeve M33 x 1.5
- Mounting hole size ø35 mm

Flow rate 10 l/min (3 bar)  
Acoustic group I

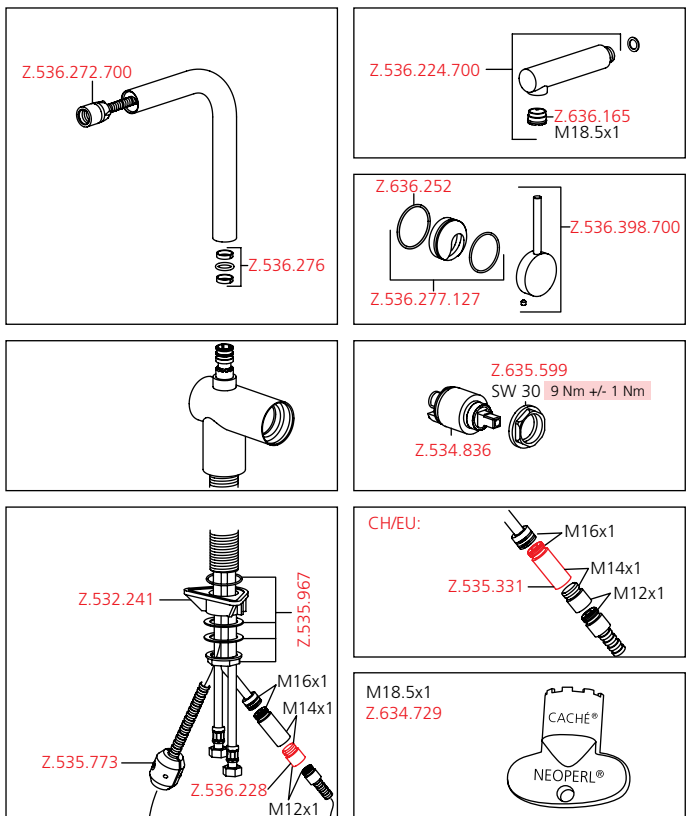


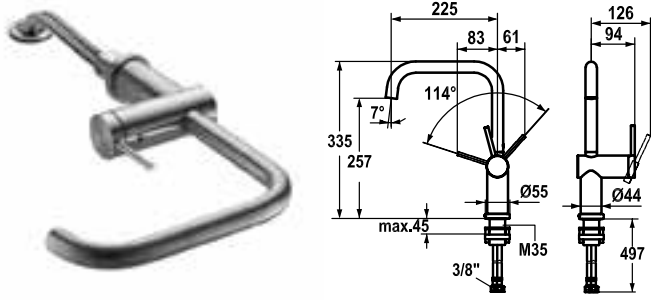
**Lever mixer ■ Kitchen**

Lever mixer

- Lever installation only possible on the right side
- Child safety: cold water flow in lever position towards the front
- gap between wall and centre of mounting hole min. 65 mm
- Pull-out aerator
- Neoperl® Caché®
- up to 600 mm pull-out length
- hose surface to fit faucet surface
- Hose guide, swivelling 360°
- KWC cartridge M 35
- with ceramic discs
- flow rate and temperature continuously variable
- Flexible connection hoses 3/8"
- Fastening by means of threaded sleeve M33 x 1.5
- Mounting hole size ø35 mm

Flow rate 10 l/min (3 bar)  
Acoustic group I





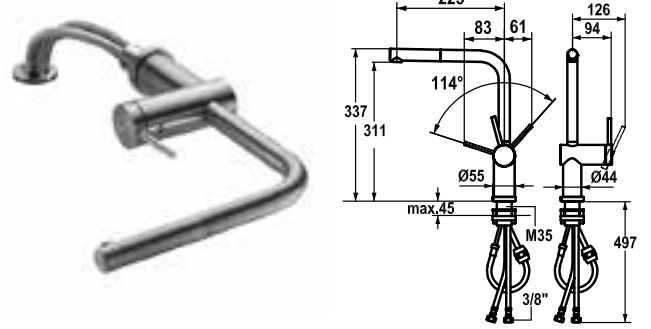
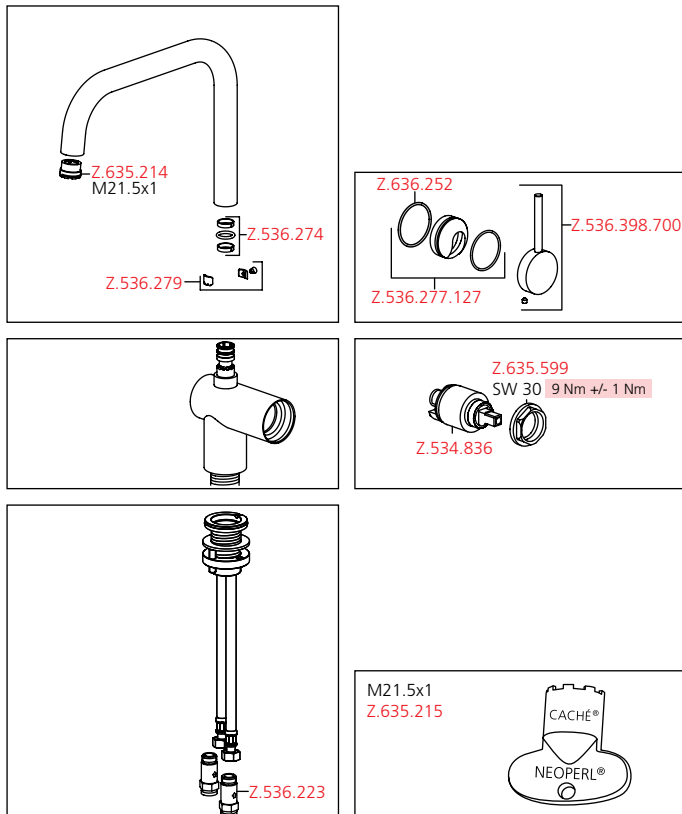
Article-No.	KWC-No.
<b>115.0308.256</b>	10.231.043.700FL
stainless steel, A 225, flexible connection hoses	

**Lever mixer ■ Kitchen ■ detachable**

Lever mixer

- Detachable for installation below windows - detached 55 mm
- Lever installation only possible on the right side
  - Child safety: cold water flow in lever position towards the front
- gap between wall and centre of mounting hole min. 65 mm
- Intrinsically safe against backflow
- Swivel spout 160°
  - Neoperl® Caché®
- KWC cartridge M 35
  - with ceramic discs
  - flow rate and temperature continuously variable
- Flexible connection hoses 3/8"
- Fastening by means of threaded sleeve M35 x 1.5 (preassembled socket)
- Mounting hole size ø35 - 37 mm

Flow rate 12 l/min (3 bar)  
Acoustic group I



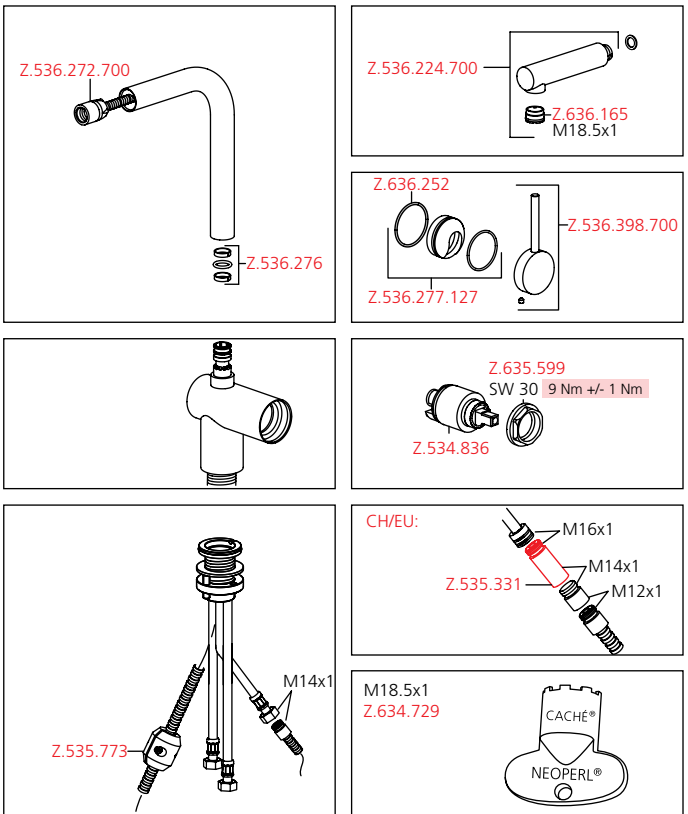
Article-No.	KWC-No.
<b>115.0308.257</b>	10.231.053.700FL
stainless steel, A 225, flexible connection hoses	

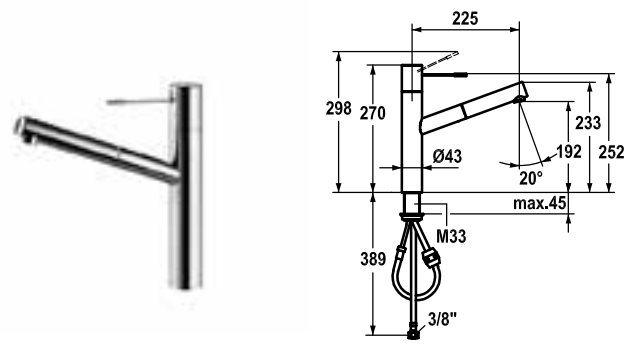
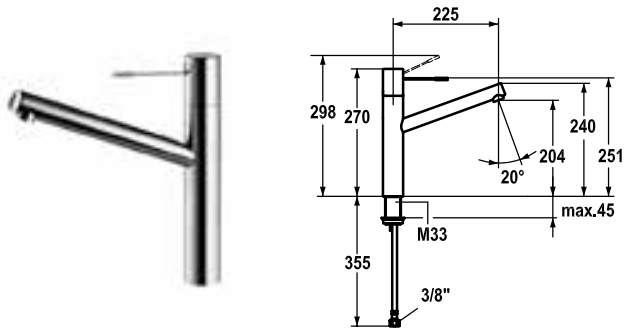
**Lever mixer ■ Kitchen ■ detachable**

Lever mixer

- Detachable for installation below windows - detached 55 mm
- Lever installation only possible on the right side
  - Child safety: cold water flow in lever position towards the front
- gap between wall and centre of mounting hole min. 65 mm
- Intrinsically safe against backflow
- Pull-out aerator
  - Neoperl® Caché®
  - up to 600 mm pull-out length
  - hose surface to fit faucet surface
- Hose guide, swivelling 360°
- KWC cartridge M 35
  - with ceramic discs
  - flow rate and temperature continuously variable
- Flexible connection hoses 3/8"
- Fastening by means of threaded sleeve M35 x 1.5 (preassembled socket)
- Mounting hole size ø35 - 37 mm

Flow rate 10 l/min (3 bar)  
Acoustic group I





Article-No.	KWC-No.
<b>115.0308.190</b>	10.151.023.000FL
all chrome, A 225, flexible connection hoses	
<b>115.0308.184</b>	10.151.023.700FL
stainless steel, A 225, flexible connection hoses	

Article-No.	KWC-No.
<b>115.0308.198</b>	10.151.113.000FL
all chrome, A 225, flexible connection hoses	
<b>115.0308.199</b>	10.151.113.700FL
stainless steel, A 225, flexible connection hoses	

**Lever mixer ■ Kitchen**

Lever mixer

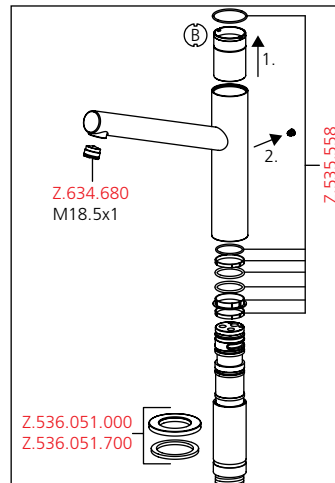
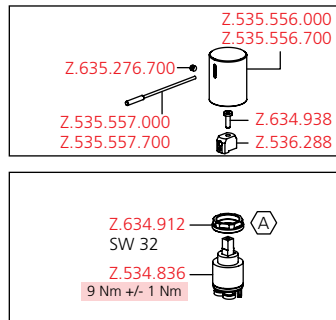
- Surgical-grade hardened stainless steel lever
- Swivel spout 270°
  - Neoperl® Caché®
- KWC cartridge M 35
  - with ceramic discs
  - flow rate and temperature continuously variable
- Flexible connection hoses 3/8"
- Fastening by means of threaded sleeve M33 x 1.5
- Mounting hole size ø35 mm

**Lever mixer ■ Kitchen**

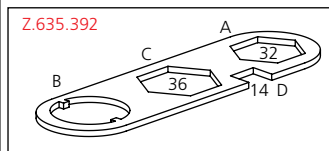
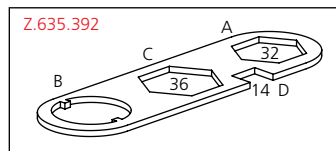
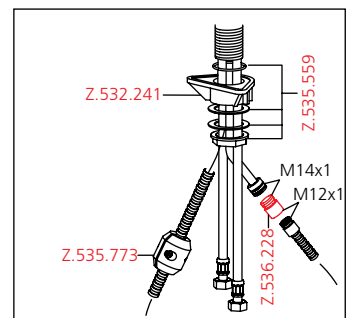
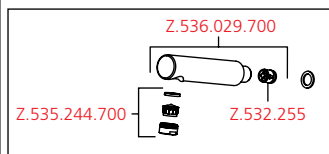
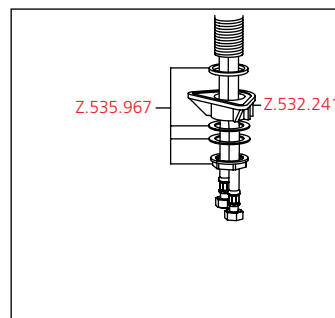
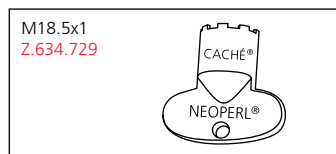
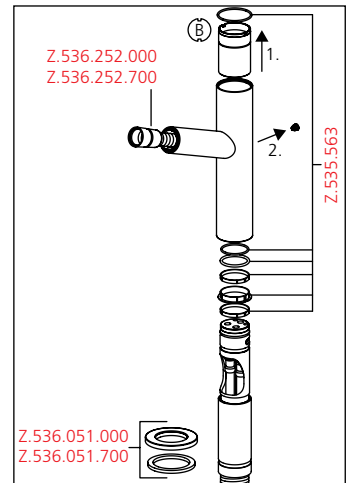
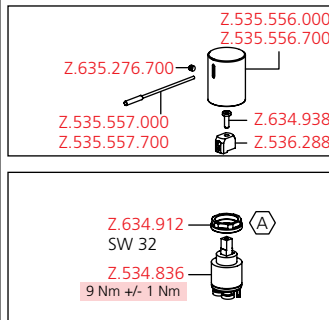
Lever mixer

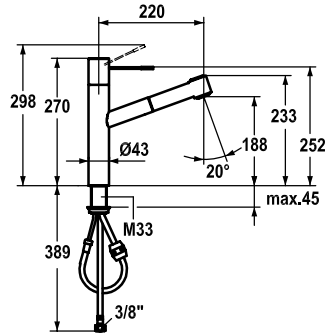
- Surgical-grade hardened stainless steel lever
- Pull-out aerator
  - Neoperl® Cascade®
  - up to 700 mm pull-out length
  - hose surface to fit faucet surface
- Hose guide, swivelling 105°
- KWC cartridge M 35
  - with ceramic discs
  - flow rate and temperature continuously variable
- Flexible connection hoses 3/8"
- Fastening by means of threaded sleeve M33 x 1.5
- Mounting hole size ø35 mm

Flow rate 12 l/min (3 bar)  
Acoustic group I



Flow rate 10 l/min (3 bar)  
Acoustic group I





Article-No.	KWC-No.
<b>115.0308.177</b>	10.151.033.000FL
all chrome, A 220, flexible connection hoses	
<b>115.0308.169</b>	10.151.033.700FL
stainless steel, A 220, flexible connection hoses	

## Lever mixer ■ Kitchen

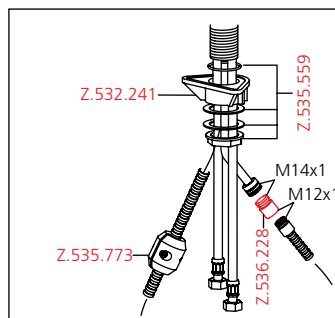
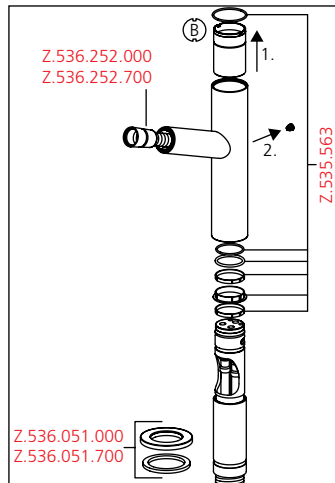
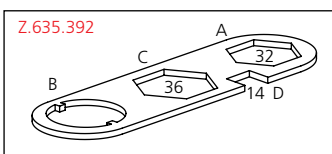
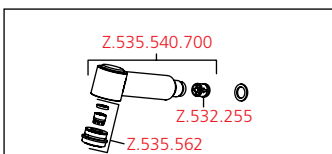
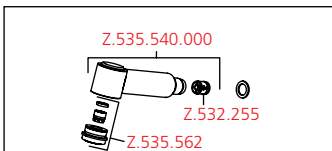
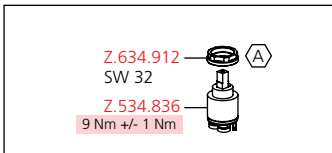
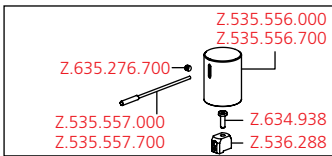
### Lever mixer

- Surgical-grade hardened stainless steel lever
- Pull-out spray with KWC JETCLEAN
  - up to 700 mm pull-out length
  - automatic diverter reset
  - hose surface to fit faucet surface
- Hose guide, swivelling 105°
- KWC cartridge M 35
  - with ceramic discs
  - flow rate and temperature continuously variable
- Flexible connection hoses 3/8"
- Fastening by means of threaded sleeve M33 x 1.5
- Mounting hole size ø35 mm

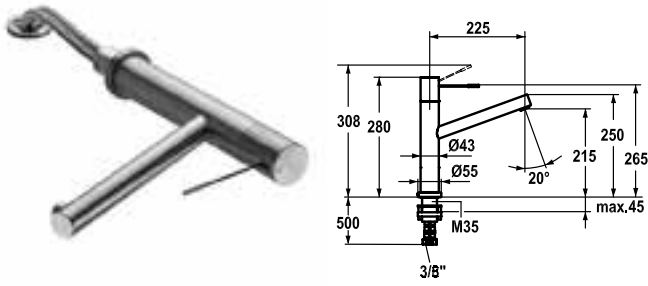
Flow rate normal spray 12 l/min (3 bar)

Flow rate needle spray 13 l/min (3 bar)

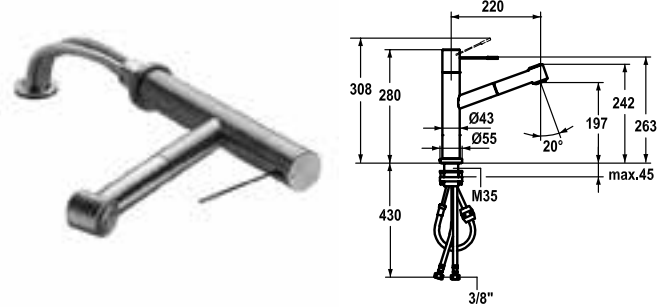
Acoustic group I







Article-No.	KWC-No.
<b>115.0308.254</b>	10.151.043.700FL
stainless steel, A 225, flexible connection hoses	



Article-No.	KWC-No.
<b>115.0308.255</b>	10.151.053.700FL
stainless steel, A 220, flexible connection hoses	

**Lever mixer ■ Kitchen ■ detachable**

Lever mixer

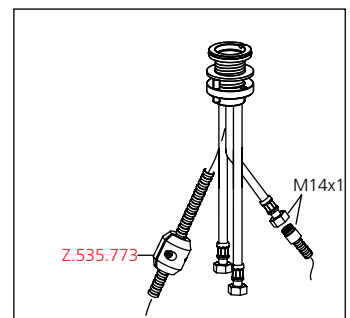
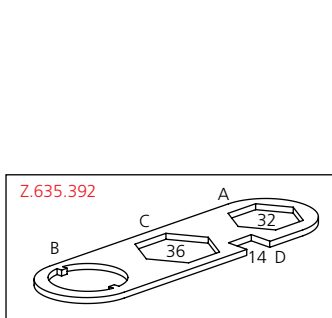
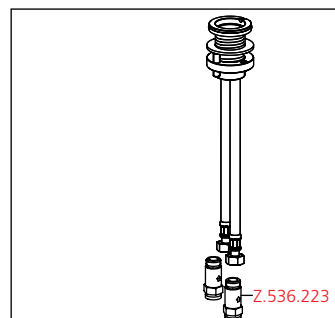
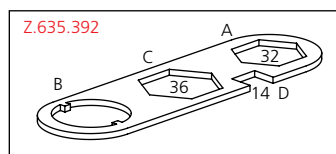
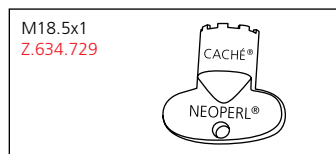
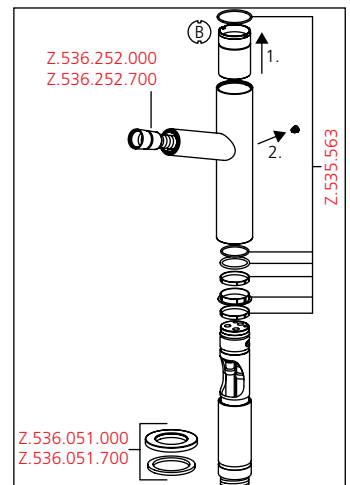
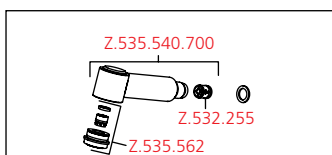
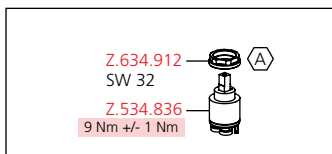
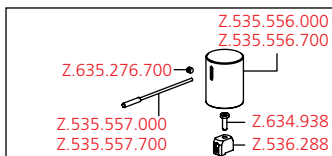
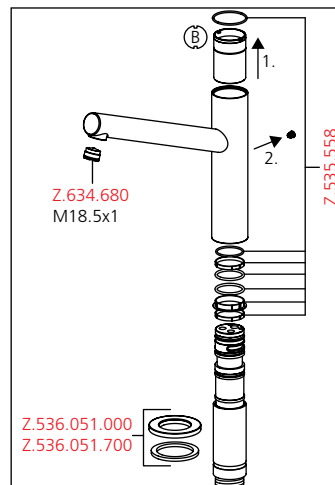
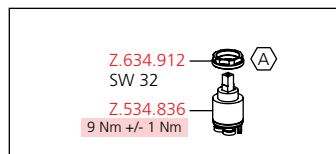
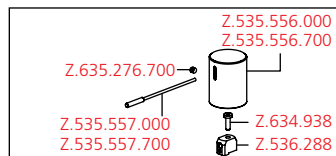
- Detachable for installation below windows - detached 55 mm
- Surgical-grade hardened stainless steel lever
- Intrinsically safe against backflow
- Swivel spout 270°
  - Neoperl® Caché®
- KWC cartridge M 35
  - with ceramic discs
  - flow rate and temperature continuously variable
- Flexible connection hoses 3/8"
- Fastening by means of threaded sleeve M35 x 1.5 (preassembled socket)
- Mounting hole size ø35 - 37 mm

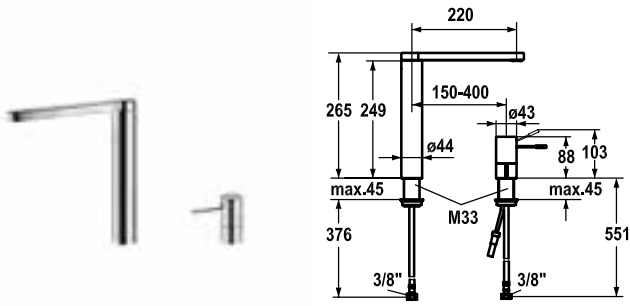
**Lever mixer ■ Kitchen ■ detachable**

Lever mixer

- Detachable for installation below windows - detached 55 mm
- Surgical-grade hardened stainless steel lever
- Intrinsically safe against backflow
- Pull-out spray with KWC JETCLEAN
  - up to 700 mm pull-out length
  - automatic diverter reset
  - hose surface to fit faucet surface
- Hose guide, swivelling 105°
- KWC cartridge M 35
  - with ceramic discs
  - flow rate and temperature continuously variable
- Flexible connection hoses 3/8"
- Fastening by means of threaded sleeve M35 x 1.5 (preassembled socket)
- Mounting hole size ø35 - 37 mm

Flow rate 11 l/min (3 bar)  
Acoustic group I





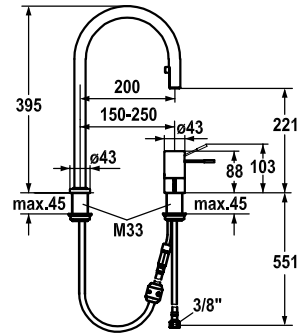
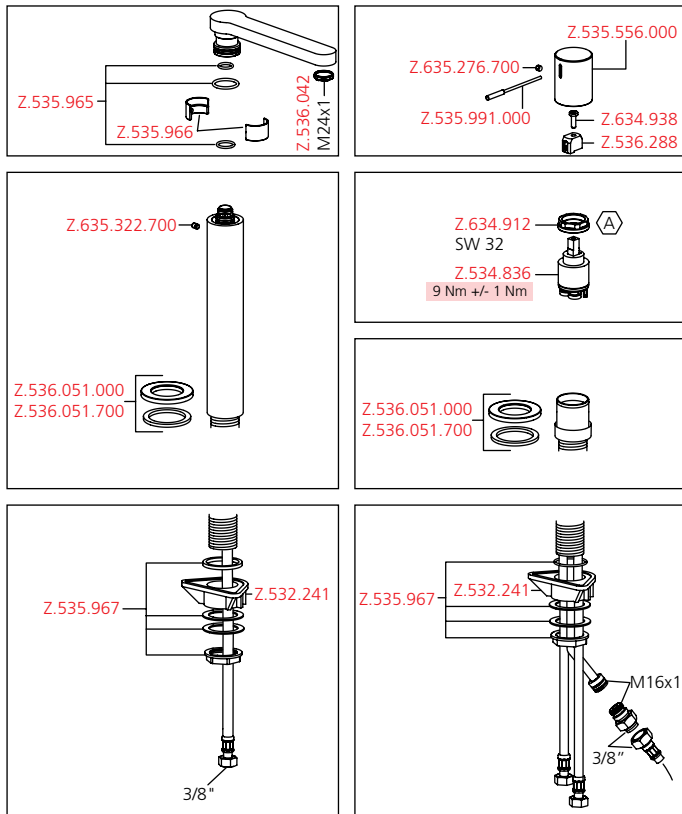
**Article-No.** 115.0308.196 **KWC-No.** 10.152.413.000FL  
all chrome, A 220, flexible connection hoses

**Lever mixer ■ Kitchen**

Lever mixer

- 2-hole
- Lever installation possible on the right or left side
- Surgical-grade hardened stainless steel lever
- Swivel spout 360°
  - Neoperl® SLIM®
- KWC cartridge M 35
  - with ceramic discs
  - flow rate and temperature continuously variable
- Flexible connection hoses 3/8"
- Fastening by means of threaded sleeve M33 x 1.5
- Mounting hole size  $\phi 35$  mm

Flow rate 12 l/min (3 bar)  
Acoustic group I



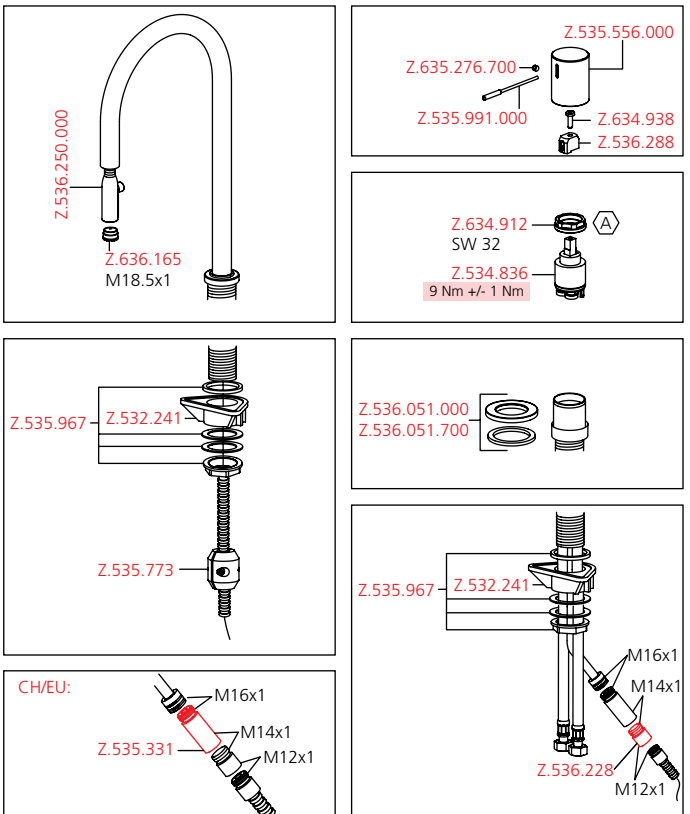
**Article-No.** 115.0308.194 **KWC-No.** 10.152.322.000FL  
all chrome, A 200, flexible connection hoses

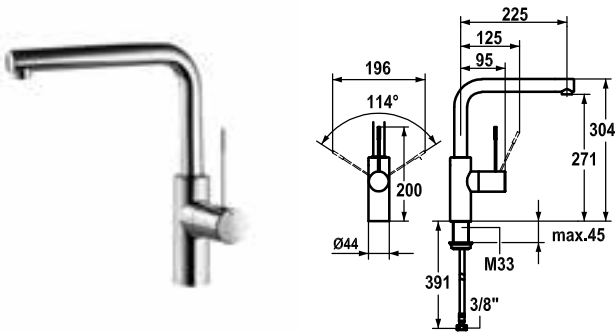
**Lever mixer ■ Kitchen**

Lever mixer

- 2-hole
- Lever installation possible on the right or left side
- Surgical-grade hardened stainless steel lever
- Pull-out aerator covered
  - Neoperl® Caché®
  - hose surface to fit faucet surface
- Hose guide, swivelling 360°
- KWC cartridge M 35
  - with ceramic discs
  - flow rate and temperature continuously variable
- Flexible connection hoses 3/8"
- Fastening by means of threaded sleeve M33 x 1.5
- Mounting hole size  $\phi 35$  mm

Flow rate 10 l/min (3 bar)  
Acoustic group I





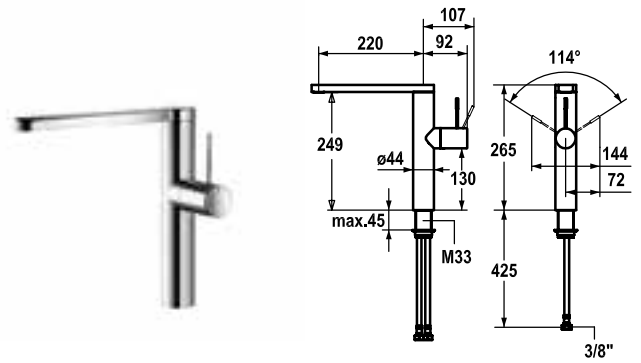
Article-No.	KWC-No.
<b>115.0308.193</b>	10.151.013.000FL
all chrome, A 225, flexible connection hoses	

**Lever mixer ■ Kitchen**

Lever mixer

- Lever installation possible on the right or left side
- Surgical-grade hardened stainless steel lever
- Swivel spout 360°
  - Neoperl® Caché®
- KWC cartridge M 35
  - with ceramic discs
  - flow rate and temperature continuously variable
- Flexible connection hoses 3/8"
- Fastening by means of threaded sleeve M33 x 1.5
- Mounting hole size ø35 mm
- To be ordered separately (optional or if necessary):
  - Short lever, L 70 mm Z.535.995

Flow rate 12 l/min (3 bar)  
Acoustic group I

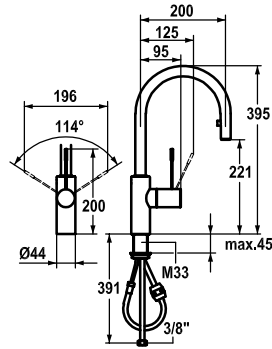
Article-No.	KWC-No.
<b>115.0308.170</b>	10.151.413.000FL
all chrome, A 220, flexible connection hoses	
<b>115.0308.208</b>	10.151.413.700FL
stainless steel, A 220, flexible connection hoses	

**Lever mixer ■ Kitchen**

Lever mixer

- Lever installation possible on the right or left side
- Surgical-grade hardened stainless steel lever
- Swivel spout 360°
  - Neoperl® SLIM®
- KWC cartridge M 35
  - with ceramic discs
  - flow rate and temperature continuously variable
- Flexible connection hoses 3/8"
- Fastening by means of threaded sleeve M33 x 1.5
- Mounting hole size ø35 mm

Flow rate 11 l/min (3 bar)  
Acoustic group I

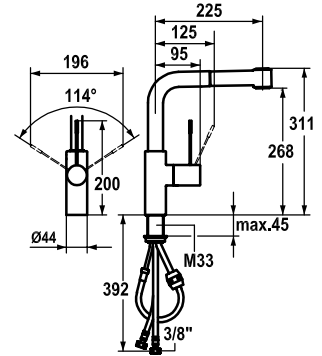
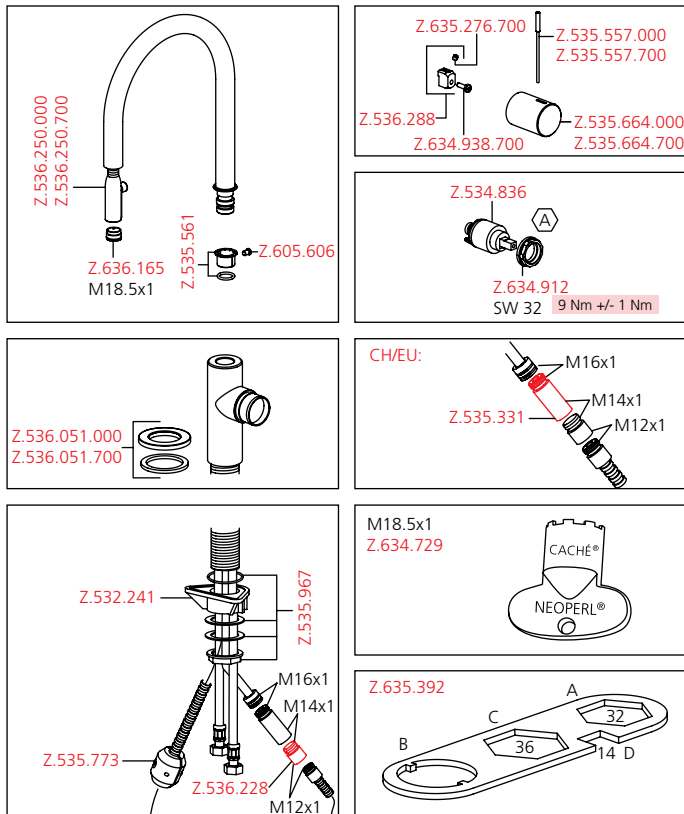
Article-No.	KWC-No.
<b>115.0308.191</b>	10.151.102.000FL
all chrome, A 200, flexible connection hoses	
<b>115.0308.185</b>	10.151.102.700FL
stainless steel, A 200, flexible connection hoses	

**Lever mixer ■ Kitchen**

Lever mixer

- Lever installation possible on the right or left side
- Surgical-grade hardened stainless steel lever
- Pull-out aerator covered
  - Neoperl® Caché®
  - up to 700 mm pull-out length
  - hose surface to fit faucet surface
- Hose guide, swivelling 360°
- KWC cartridge M 35
  - with ceramic discs
  - flow rate and temperature continuously variable
- Flexible connection hoses 3/8"
- Fastening by means of threaded sleeve M33 x 1.5
- Mounting hole size ø35 mm
- To be ordered separately (optional or if necessary):
  - Short lever, L 70 mm Z.535.995

Flow rate 10 l/min (3 bar)  
Acoustic group I



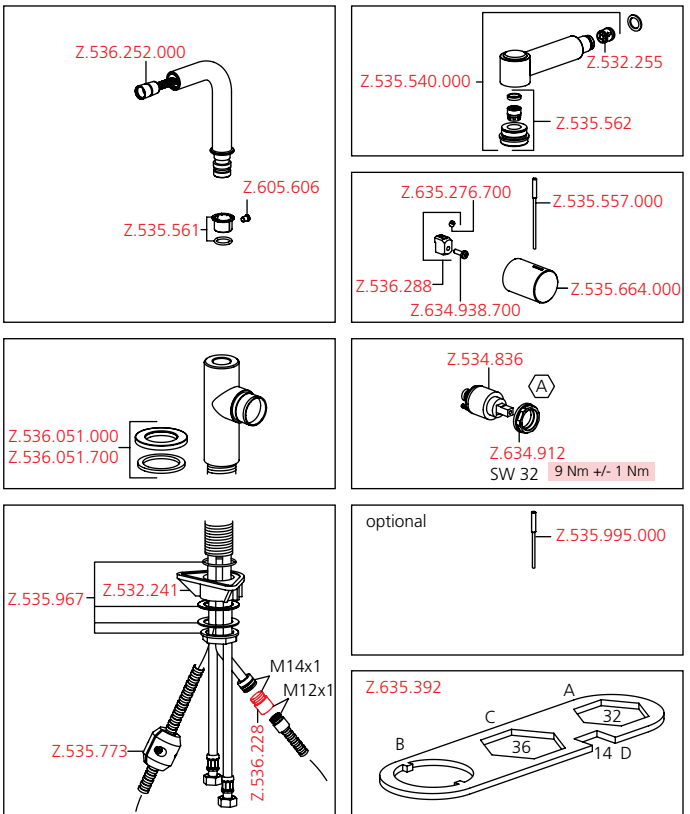
Article-No.	KWC-No.
<b>115.0308.192</b>	10.151.003.000FL
all chrome, A 225, flexible connection hoses	

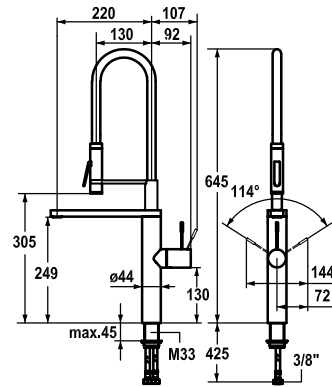
**Lever mixer ■ Kitchen**

Lever mixer

- Lever installation possible on the right or left side
- Surgical-grade hardened stainless steel lever
- Pull-out spray with KWC JETCLEAN
  - up to 700 mm pull-out length
  - automatic diverter reset
  - hose surface to fit faucet surface
- Hose guide, swivelling 360°
- KWC cartridge M 35
  - with ceramic discs
  - flow rate and temperature continuously variable
- Flexible connection hoses 3/8"
- Fastening by means of threaded sleeve M33 x 1.5
- Mounting hole size ø35 mm
- To be ordered separately (optional or if necessary):
  - Short lever, L 70 mm Z.535.995

Flow rate normal spray 12 l/min (3 bar)  
Flow rate needle spray 13 l/min (3 bar)  
Acoustic group I





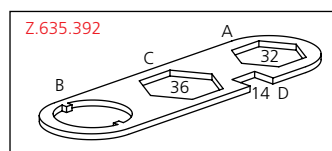
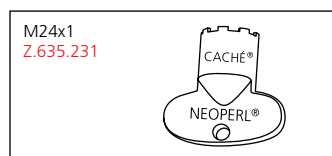
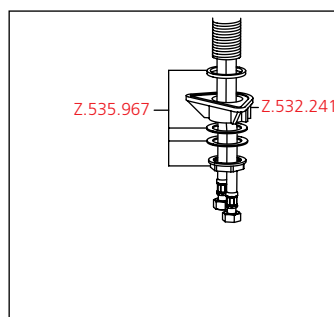
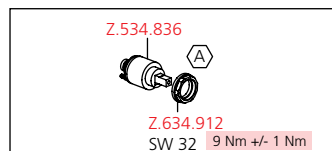
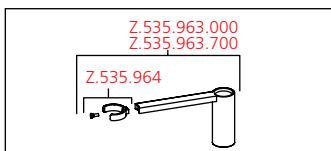
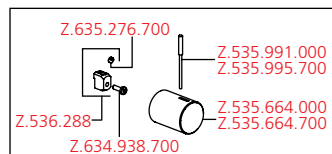
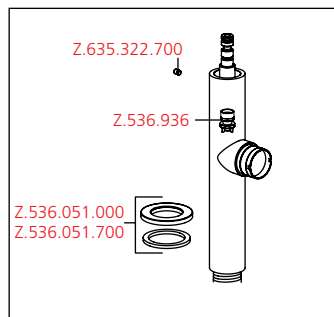
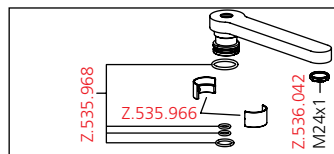
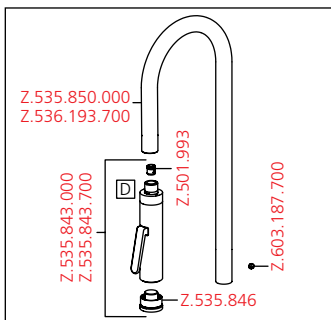
Article-No.	KWC-No.
<b>115.0307.905</b>	10.151.423.000FL
all chrome, A 220, flexible connection hoses	
<b>115.0308.207</b>	10.151.423.700FL
stainless steel, A 220, flexible connection hoses	

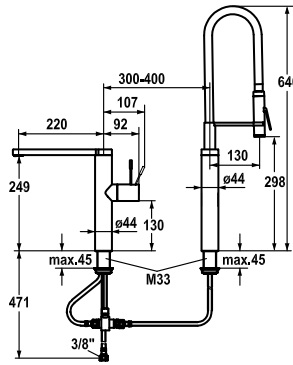
**Lever mixer ■ Kitchen**

Lever mixer

- KWC highflex™ patented spring hose technology
- Lever installation possible on the right or left side
- Surgical-grade hardened stainless steel lever
- Integrated vacuum diversion
- Swivel spout 360°
  - Neoperl® SLIM®
- Professional spray 360° turn
- KWC cartridge M 35
  - with ceramic discs
  - flow rate and temperature continuously variable
- Flexible connection hoses 3/8"
- Fastening by means of threaded sleeve M33 x 1.5
- Mounting hole size ø35 mm
- Scope of delivery:
  - Spray holder Z.535.963

Flow rate 10 l/min (3 bar)  
 Spray: Flow rate 3 l/min (3 bar)  
 Acoustic group I





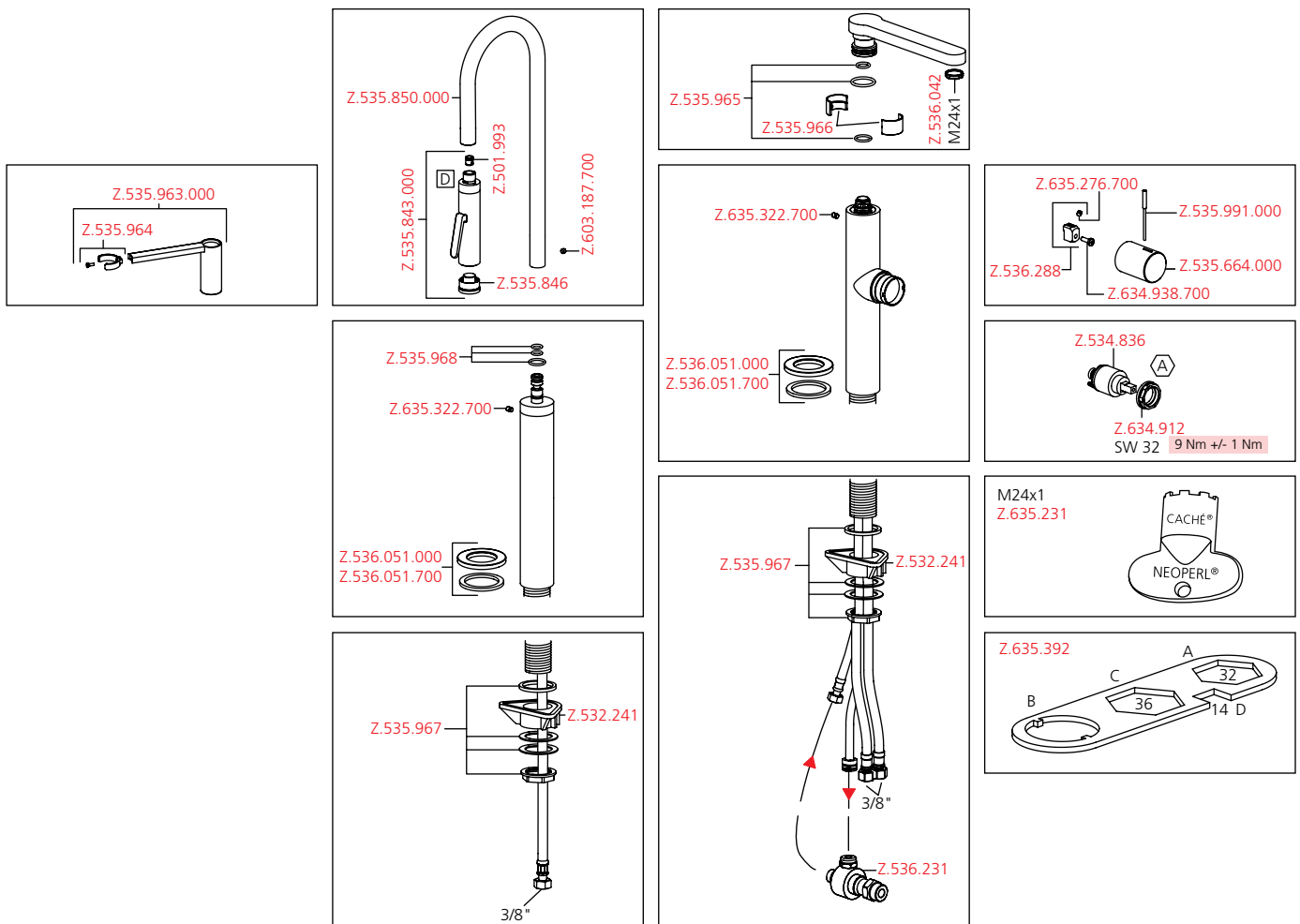
Article-No.	KWC-No.
<b>115.0308.195</b>	10.152.423.000FL
all chrome, A 220, flexible connection hoses	

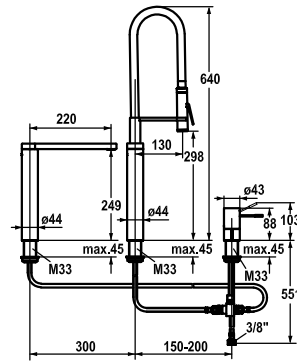
**Lever mixer ■ Kitchen**

Lever mixer

- KWC highflex™ patented spring hose technology
- 2-hole
- Lever installation possible on the right or left side
- Surgical-grade hardened stainless steel lever
- Integrated vacuum diversion
- Swivel spout 360°
  - Neoperl® SLIM®
- Professional spray 360° turn
- KWC cartridge M 35
  - with ceramic discs
  - flow rate and temperature continuously variable
- Flexible connection hoses 3/8"
- Fastening by means of threaded sleeve M33 x 1.5
- Mounting hole size ø35 mm
- Scope of delivery:
  - Spray holder Z.535.963

Flow rate 8 l/min (3 bar)  
 Spray: Flow rate 3 l/min (3 bar)  
 Acoustic group I



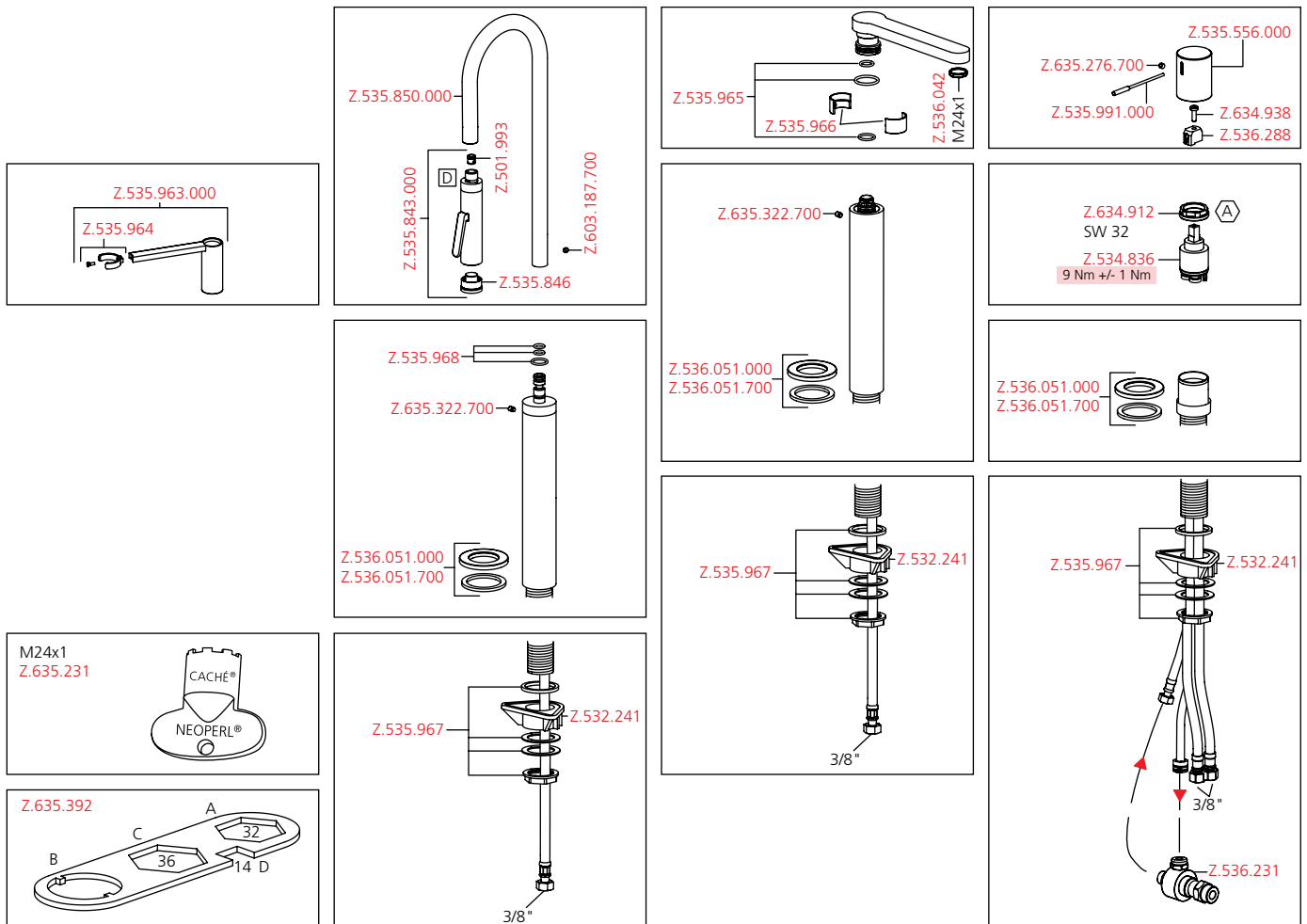


Article-No.	KWC-No.
<b>115.0308.197</b>	10.153.423.000FL
all chrome, A 220, flexible connection hoses	

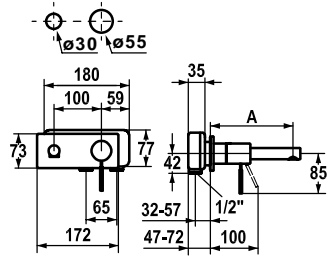
**Lever mixer ■ Kitchen**

- Lever mixer
- KWC highflex™ patented spring hose technology
  - 3-hole
  - Lever installation possible on the right or left side
  - Surgical-grade hardened stainless steel lever
  - Integrated vacuum diversion
  - Swivel spout 360°
    - Neoperl® SLIM®
  - Professional spray 360° turn
  - KWC cartridge M 35
    - with ceramic discs
    - flow rate and temperature continuously variable
  - Flexible connection hoses 3/8"
  - Fastening by means of threaded sleeve M33 x 1.5
  - Mounting hole size ø35 mm
  - Scope of delivery:
    - Spray holder Z.535.963

Flow rate 8 l/min (3 bar)  
 Spray: Flow rate 3 l/min (3 bar)  
 Acoustic group I







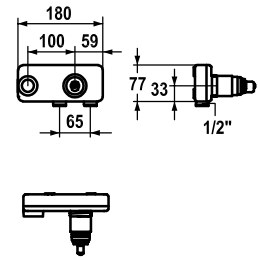
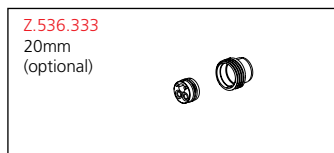
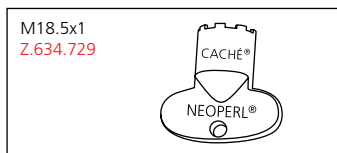
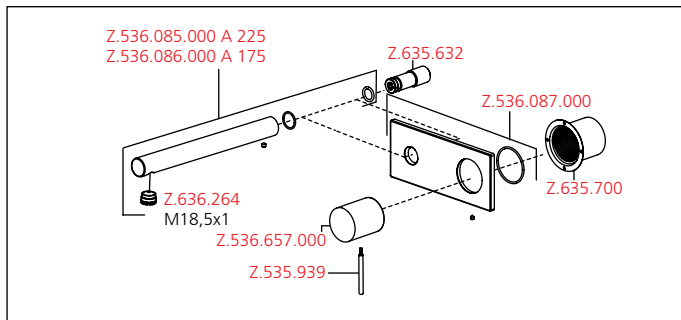
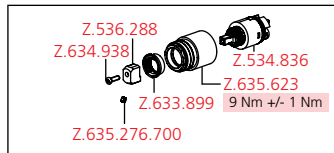
Article-No.	KWC-No.
<b>115.0308.178</b>	11.152.033.000
all chrome, A 175, Trim kit	
<b>115.0308.179</b>	11.152.034.000
all chrome, A 225, Trim kit	

**Trim kit ■ Lever mixer ■ Kitchen**

**Lever mixer**

- Surgical-grade hardened stainless steel lever
- Fixed spout
  - Neoperl® Caché®
- KWC cartridge M 35
  - with ceramic discs
  - flow rate and temperature continuously variable
  - temperature limitation
- To be ordered separately:
  - Unit for concealed installation 1/2" 39.151.400.931
- To be ordered separately (optional or if necessary):
  - Extension set 20 mm Z.536.333

Flow rate 7.5 l/min (3 bar)  
Acoustic group I

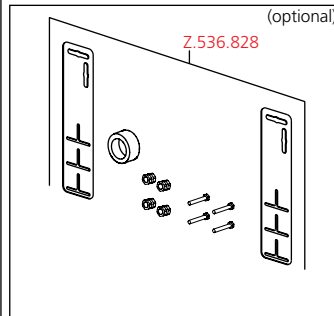


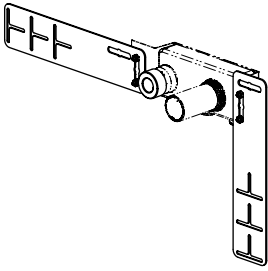
Article-No.	KWC-No.
<b>112.0308.148</b>	39.151.400.931
Concealed unit	

**Concealed unit**

**Concealed unit wall two hole**

- Connecting thread 1/2"
- To be ordered separately:
  - Installation kit Z.536.828
- Suitable for:
  - KWC ONO



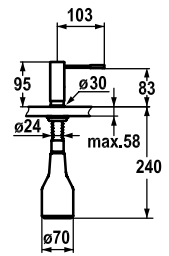


Article-No.	KWC-No.
<b>112.0362.929</b>	Z.536.828

### Installation kit

Installation kit

- Suitable for:
  - Concealed unit wall two hole

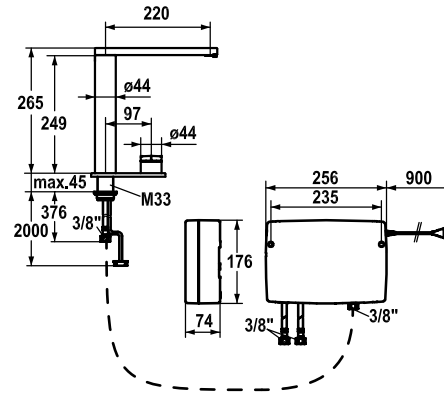


Article-No.	KWC-No.
<b>119.0307.908</b>	Z.536.060.000
all chrome	
<b>119.0308.343</b>	Z.536.060.700
stainless steel	

### Soap dispensers

Soap dispenser KWC ONO

- Easily refillable from surface without disassembly
- Mounting hole size  $\varnothing 26$  mm
- Scope of delivery:
  - Pump
  - Soap container, filling capacity 300 ml



Article-No.	KWC-No.
<b>115.0308.219</b>	10.651.022.000FL
all chrome, A 220, flexible connection hoses, mains receiver	

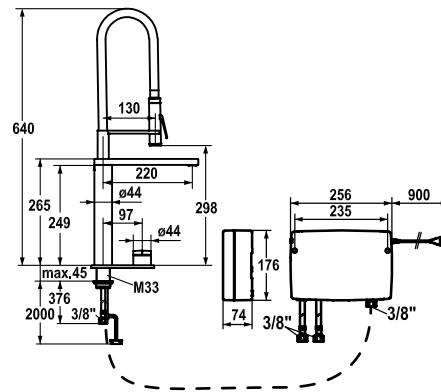
## Kitchen ■ with LED-technology

### Electronic controlled

- touch light PRO technology
- touch'n'flow 1-2-3
- 3 preset temperatures and flow rates
- Microprocessor-control
  - touch'n'flow 1: cold water, 50% flow rate can be individually adjusted and saved
  - touch'n'flow 2: warm water, 50% flow rate can be individually adjusted and saved
  - touch'n'flow 3: hot water, 50% flow rate can be individually adjusted and saved
  - with cleaning programme
  - duration of water flow - safety indication: switch off automatically after 10 minutes
  - temperature limit can be adjusted
  - hot water disinfection (5 minutes) can be adjusted
  - can be restored to factory settings
- Swivel spout 360°
  - Neoperl® SLIM®
- touch light PRO control unit, maintenance-free
  - up-to-date microprocessor and drive technology
  - tried-and-tested valve technology
  - incl. installation materials
  - designed for wired connection to 1 operating unit (standard), wireless connection to 1 operating unit (optional)
- Flexible connection hoses 3/8"
- Fastening by means of threaded sleeve M33 x 1.5
- Mounting hole size ø35 mm

### ▪ Scope of delivery:

- Mains receiver 100-240 V / operating voltage 15 V / cable length 900 mm
- Control unit and wired operating unit / cable length 2000 mm
- To be ordered separately (optional or if necessary):
  - Extension set 1500 mm Z.536.352, comprising: stainless steel hose 1500 mm, 3/8" x 3/8", double nipple, sealing material
  - KWC ONO touch light PRO wireless operating unit Z.536.351.000
- Go to [www.kwc.com](http://www.kwc.com) for comprehensive information on planning, installation and operation, or get in touch with your KWC contact person.



Article-No.	KWC-No.
<b>115.0308.222</b>	10.651.122.000FL
all chrome, A 220, flexible connection hoses, mains receiver	

## Kitchen ▀ with LED-technology

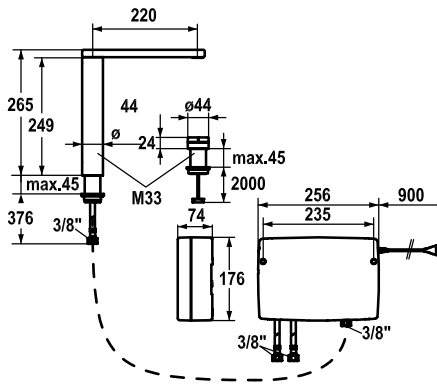
### Electronic controlled

- touch light PRO technology
- KWC highflex™ patented spring hose technology
- touch'n'flow 1-2-3
- 3 preset temperatures and flow rates
- Microprocessor-control
  - touch'n'flow 1: cold water, 50% flow rate can be individually adjusted and saved
  - touch'n'flow 2: warm water, 50% flow rate can be individually adjusted and saved
  - touch'n'flow 3: hot water, 50% flow rate can be individually adjusted and saved
  - with cleaning programme
  - duration of water flow - safety indication: switch off automatically after 10 minutes
  - temperature limit can be adjusted
  - hot water disinfection (5 minutes) can be adjusted
  - can be restored to factory settings
- Swivel spout 360°
  - Neoperl® SLIM®
- Professional spray 360° turn
- touch light PRO control unit, maintenance-free
  - up-to-date microprocessor and drive technology
  - tried-and-tested valve technology
  - incl. installation materials
  - designed for wired connection to 1 operating unit (standard), wireless connection to 1 operating unit (optional)
- Flexible connection hoses 3/8"
- Fastening by means of threaded sleeve M33 x 1.5
- Mounting hole size ø35 mm

### ▪ Scope of delivery:

- Mains receiver 100-240 V / operating voltage 15 V / cable length 900 mm
- Control unit and wired operating unit / cable length 2000 mm
- To be ordered separately (optional or if necessary):
  - Extension set 1500 mm Z.536.352, comprising: stainless steel hose 1500 mm, 3/8" x 3/8", double nipple, sealing material
  - KWC ONO touch light PRO wireless operating unit Z.536.351.000
- Go to [www.kwc.com](http://www.kwc.com) for comprehensive information on planning, installation and operation, or get in touch with your KWC contact person.

Flow rate 12 l/min (3 bar)  
 Spray: Flow rate 4 l/min (3 bar)  
 Acoustic group I



Article-No.	KWC-No.
<b>115.0308.217</b>	10.652.012.000FL
all chrome, A 220, flexible connection hoses, mains receiver	

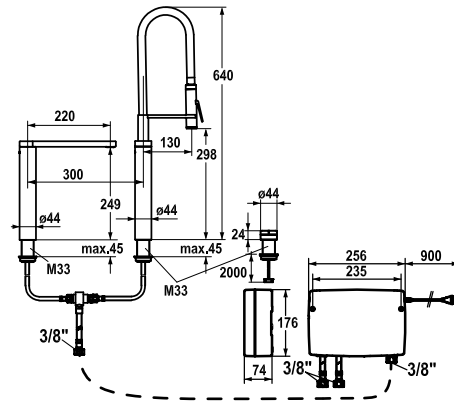
## Kitchen ■ with LED-technology

### Electronic controlled

- touch light PRO technology
- touch'n'flow 1-2-3
- 3 preset temperatures and flow rates
- 2-hole
- Microprocessor-control
  - touch'n'flow 1: cold water, 50% flow rate can be individually adjusted and saved
  - touch'n'flow 2: warm water, 50% flow rate can be individually adjusted and saved
  - touch'n'flow 3: hot water, 50% flow rate can be individually adjusted and saved
  - with cleaning programme
  - duration of water flow - safety indication: switch off automatically after 10 minutes
  - temperature limit can be adjusted
  - hot water disinfection (5 minutes) can be adjusted
  - can be restored to factory settings
- Swivel spout 360°
  - Neoperl® SLIM®
- touch light PRO control unit, maintenance-free
  - up-to-date microprocessor and drive technology
  - tried-and-tested valve technology
  - incl. installation materials
  - designed for wired connection to 1 operating unit (standard) , wireless connection to 1 operating unit (optional)
- Flexible connection hoses 3/8"
- Fastening by means of threaded sleeve M33 x 1.5
- Mounting hole size ø35 mm

### ▪ Scope of delivery:

- Mains receiver 100-240 V / operating voltage 15 V / cable length 900 mm
- Control unit and wired operating unit / cable length 2000 mm
- To be ordered separately (optional or if necessary):
  - Extension set 1500 mm Z.536.352, comprising: stainless steel hose 1500 mm, 3/8" x 3/8", double nipple, sealing material
  - KWC ONO touch light PRO wireless operating unit Z.536.351.000
- Go to [www.kwc.com](http://www.kwc.com) for comprehensive information on planning, installation and operation, or get in touch with your KWC contact person.



Article-No.	KWC-No.
<b>115.0308.220</b>	10.653.112.000FL
all chrome, A 220, flexible connection hoses, mains receiver	

## Kitchen ▀ with LED-technology

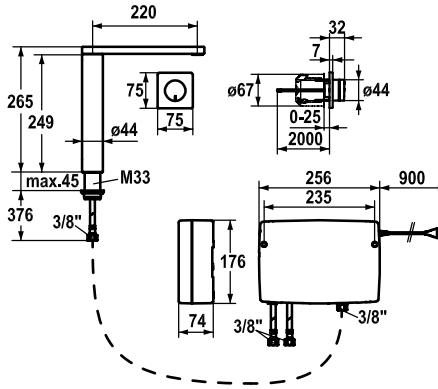
### Electronic controlled

- touch light PRO technology
- KWC highflex™ patented spring hose technology
- touch'n'flow 1-2-3
- 3 preset temperatures and flow rates
- 3-hole
- Microprocessor-control
  - touch'n'flow 1: cold water, 50% flow rate can be individually adjusted and saved
  - touch'n'flow 2: warm water, 50% flow rate can be individually adjusted and saved
  - touch'n'flow 3: hot water, 50% flow rate can be individually adjusted and saved
  - with cleaning programme
  - duration of water flow - safety indication: switch off automatically after 10 minutes
  - temperature limit can be adjusted
  - hot water disinfection (5 minutes) can be adjusted
  - can be restored to factory settings
- Swivel spout 360°
  - Neoperl® SLIM®
- Professional spray 360° turn
- touch light PRO control unit, maintenance-free
  - up-to-date microprocessor and drive technology
  - tried-and-tested valve technology
  - incl. installation materials
  - designed for wired connection to 1 operating unit (standard), wireless connection to 1 operating unit (optional)
- Flexible connection hoses 3/8"
- Fastening by means of threaded sleeve M33 x 1.5
- Mounting hole size ø35 mm

### ▪ Scope of delivery:

- Mains receiver 100-240 V / operating voltage / cable length 900 mm
- Control unit and wired operating unit / cable length 2000 mm
- To be ordered separately (optional or if necessary):
  - Extension set 1500 mm Z.536.352, comprising: stainless steel hose 1500 mm, 3/8" x 3/8", double nipple, sealing material
  - KWC ONO touch light PRO wireless operating unit Z.536.351.000
- Go to [www.kwc.com](http://www.kwc.com) for comprehensive information on planning, installation and operation, or get in touch with your KWC contact person.

Flow rate 9 l/min (3 bar)  
 Spray: Flow rate 4 l/min (3 bar)  
 Acoustic group I



Article-No.	KWC-No.
<b>115.0308.218</b>	10.651.032.000FL
all chrome, A 220, flexible connection hoses, mains receiver	
<b>112.0308.152</b>	Z.636.183
Concealed unit	

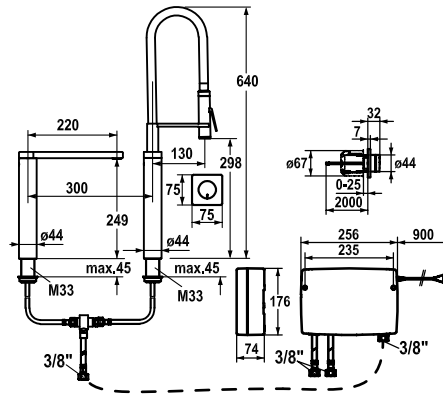
## Kitchen ■ with LED-technology

### Electronic controlled

- touch light PRO technology
- touch'n'flow 1-2-3
- 3 preset temperatures and flow rates
- Microprocessor-control
  - touch'n'flow 1: cold water, 50% flow rate can be individually adjusted and saved
  - touch'n'flow 2: warm water, 50% flow rate can be individually adjusted and saved
  - touch'n'flow 3: hot water, 50% flow rate can be individually adjusted and saved
  - with cleaning programme
  - duration of water flow - safety indication: switch off automatically after 10 minutes
  - temperature limit can be adjusted
  - hot water disinfection (5 minutes) can be adjusted
  - can be restored to factory settings
- Swivel spout 360°
  - Neoperl® SLIM®
- touch light PRO control unit, maintenance-free
  - up-to-date microprocessor and drive technology
  - tried-and-tested valve technology
  - incl. installation materials
  - designed for wired connection to 1 operating unit (standard), wireless connection to 1 operating unit (optional)
- Flexible connection hoses 3/8"
- Fastening by means of threaded sleeve M33 x 1.5
- Mounting hole size ø35 mm

- Scope of delivery:
  - Mains receiver 100-240 V / operating voltage 15 V / cable length 900 mm
  - Control unit and wired operating unit / cable length 2000 mm
- To be ordered separately:
  - Rough in for operating unit Z.636.183
- To be ordered separately (optional or if necessary):
  - Extension set 1500 mm Z.536.352, comprising: stainless steel hose 1500 mm, 3/8" x 3/8", double nipple, sealing material
  - KWC ONO touch light PRO wireless operating unit Z.536.351.000
- Go to [www.kwc.com](http://www.kwc.com) for comprehensive information on planning, installation and operation, or get in touch with your KWC contact person.





Article-No.	KWC-No.
<b>115.0308.221</b>	10.652.132.000FL
all chrome, A 220, flexible connection hoses, mains receiver	
<b>112.0308.152</b>	Z.636.183
Concealed unit	

## Kitchen ▀ with LED-technology

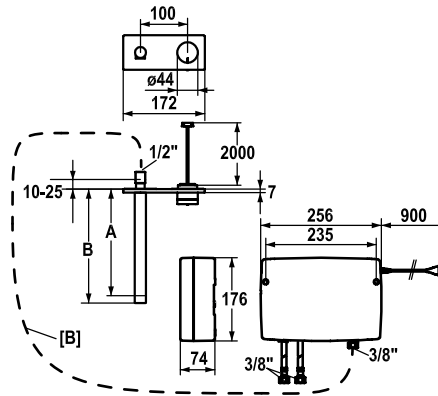
### Electronic controlled

- touch light PRO technology
- KWC highflex™ patented spring hose technology
- touch'n'flow 1-2-3
- 3 preset temperatures and flow rates
- 2-hole
- Microprocessor-control
  - touch'n'flow 1: cold water, 50% flow rate can be individually adjusted and saved
  - touch'n'flow 2: warm water, 50% flow rate can be individually adjusted and saved
  - touch'n'flow 3: hot water, 50% flow rate can be individually adjusted and saved
  - with cleaning programme
  - duration of water flow - safety indication: switch off automatically after 10 minutes
  - temperature limit can be adjusted
  - hot water disinfection (5 minutes) can be adjusted
  - can be restored to factory settings
- Swivel spout 360°
  - Neoperl® SLIM®
- Professional spray 360° turn
- touch light PRO control unit, maintenance-free
  - up-to-date microprocessor and drive technology
  - tried-and-tested valve technology
  - incl. installation materials
  - designed for wired connection to 1 operating unit (standard), wireless connection to 1 operating unit (optional)
- Flexible connection hoses 3/8"
- Fastening by means of threaded sleeve M33 x 1.5
- Mounting hole size ø35 mm

### ▪ Scope of delivery:

- Mains receiver 100-240 V / operating voltage 15 V / cable length 900 mm
- Control unit and wired operating unit / cable length 2000 mm
- To be ordered separately:
  - Rough in for operating unit Z.636.183
- To be ordered separately (optional or if necessary):
  - Extension set 1500 mm Z.536.352, comprising: stainless steel hose 1500 mm, 3/8" x 3/8", double nipple, sealing material
  - KWC ONO touch light PRO wireless operating unit Z.536.351.000
- Go to [www.kwc.com](http://www.kwc.com) for comprehensive information on planning, installation and operation, or get in touch with your KWC contact person.

Flow rate 9 l/min (3 bar)  
 Spray: Flow rate 4 l/min (3 bar)  
 Acoustic group I



Article-No.	KWC-No.
<b>115.0308.223</b>	11.654.003.000
all chrome, A 175, mains receiver, Trim kit	
<b>115.0308.224</b>	11.654.004.000
all chrome, A 225, mains receiver, Trim kit	
<b>112.0308.150</b>	39.004.500.931
Concealed unit	

### Trim kit ■ Kitchen ■ with LED-technology

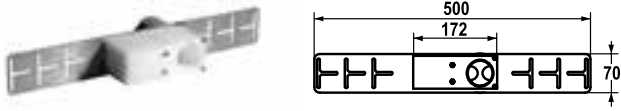
#### Electronic controlled

- touch light PRO technology
- touch'n'flow 1-2-3
- 3 preset temperatures and flow rates
- Microprocessor-control
  - touch'n'flow 1: cold water, 50% flow rate can be individually adjusted and saved
  - touch'n'flow 2: warm water, 50% flow rate can be individually adjusted and saved
  - touch'n'flow 3: hot water, 50% flow rate can be individually adjusted and saved
  - with cleaning programme
  - duration of water flow - safety indication: switch off automatically after 10 minutes
  - temperature limit can be adjusted
  - hot water disinfection (5 minutes) can be adjusted
  - can be restored to factory settings
- Fixed spout
  - Neoperl® SLIM®
- touch light PRO control unit, maintenance-free
  - up-to-date microprocessor and drive technology
  - tried-and-tested valve technology
  - incl. installation materials
  - designed for wired connection to 1 operating unit (standard), wireless connection to 1 operating unit (optional)
- Connecting thread 1/2"
  - [B] - Water guidance from control unit to spout: responsibility of client
- Flexible connection hoses 3/8"

#### ▪ Scope of delivery:

- Mains receiver 100-240 V / operating voltage 15 V / cable length 900 mm
- Control unit and wired operating unit / cable length 2000 mm
- To be ordered separately:
  - Unit for concealed installation 39.004.500.931
- To be ordered separately (optional or if necessary):
  - Extension set 1500 mm Z.536.352, comprising: stainless steel hose 1500 mm, 3/8" x 3/8", double nipple, sealing material
  - KWC ONO touch light PRO wireless operating unit Z.536.351.000
- Go to [www.kwc.com](http://www.kwc.com) for comprehensive information on planning, installation and operation, or get in touch with your KWC contact person.

Flow rate 12 l/min (3 bar)  
Acoustic group I



Article-No.	KWC-No.
<b>112.0308.150</b>	39.004.500.931
Concealed unit	

**Concealed unit wall two hole**



Article-No.	KWC-No.
<b>112.0308.151</b>	Z.536.351.000
all chrome, mains receiver	

**KWC ONO touch light PRO wireless operating unit, with charging station**

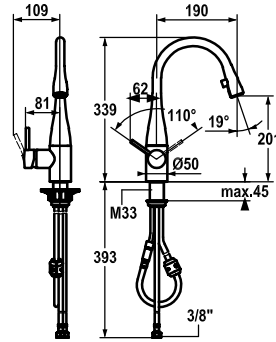
- rechargeable battery life 3-4 months
- Scope of delivery:
  - Mains receiver 100-240 V / operating voltage 6.75 V / cable length 800 mm



Article-No.	KWC-No.
<b>112.0308.152</b>	Z.636.183
Concealed unit	

**Rough in for touch light PRO operating unit, plastic**

- suitable for installation on brickwork or cavity walls



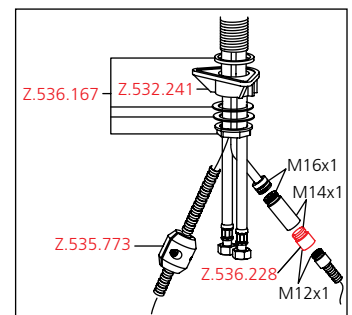
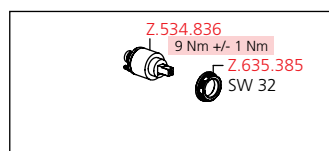
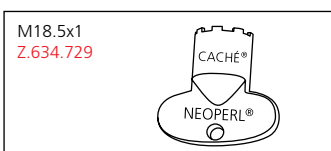
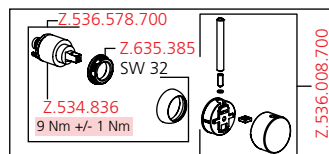
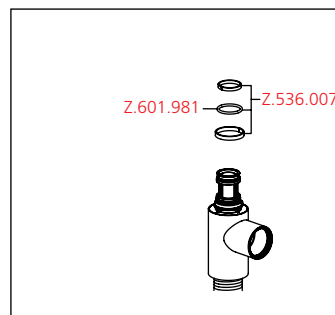
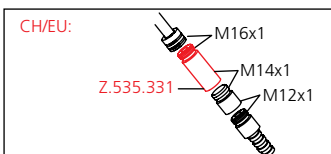
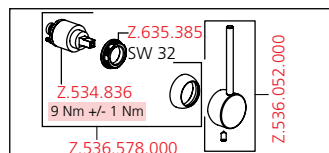
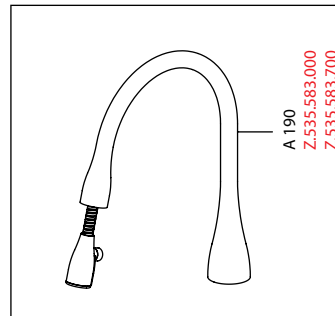
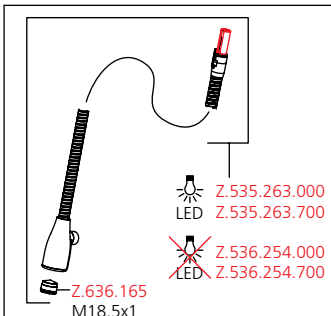
Article-No.	KWC-No.
<b>115.0307.892</b>	10.111.102.000FL
all chrome, A 190, flexible connection hoses	
<b>115.0307.893</b>	10.111.102.700FL
stainless steel, A 190, flexible connection hoses	

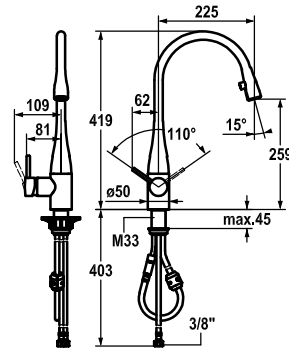
### Lever mixer ■ Kitchen

#### Lever mixer

- Lever installation possible on the right or left side
- Pull-out aerator covered
  - Neoperl® Caché®
  - up to 600 mm pull-out length
  - hose surface to fit faucet surface
- Hose guide, swivelling 270°
- KWC cartridge M 35
  - with ceramic discs
  - flow rate and temperature continuously variable
- Flexible connection hoses 3/8"
- Fastening by means of threaded sleeve M33 x 1.5
- Mounting hole size ø35 mm

Flow rate 10 l/min (3 bar)  
Acoustic group I





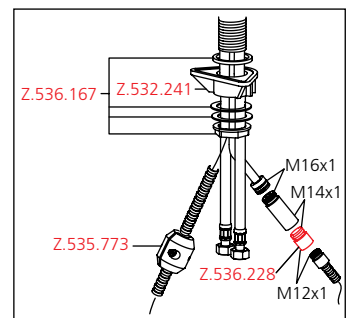
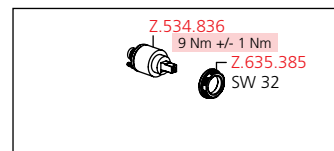
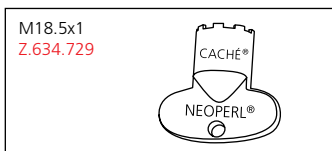
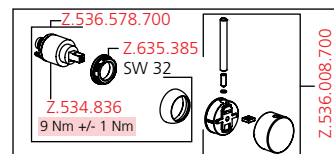
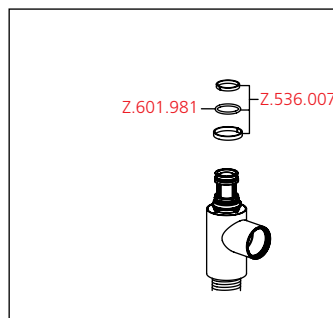
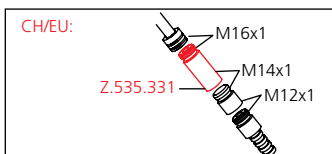
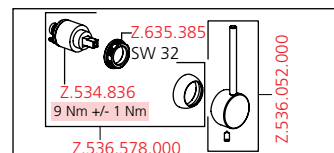
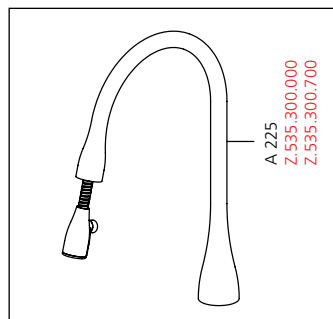
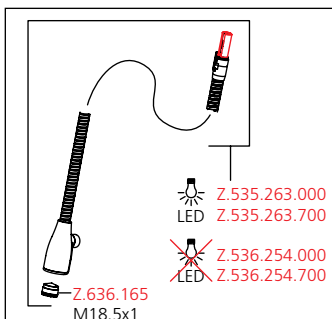
Article-No.	KWC-No.
<b>115.0308.181</b>	10.111.103.000FL
all chrome, A 225, flexible connection hoses	
<b>115.0308.183</b>	10.111.103.700FL
stainless steel, A 225, flexible connection hoses	

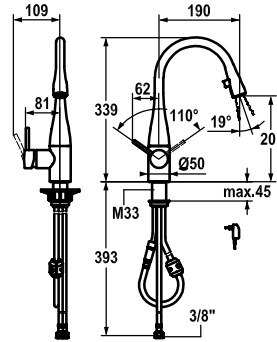
**Lever mixer ■ Kitchen**

Lever mixer

- Lever installation possible on the right or left side
- Pull-out aerator covered
  - Neoperl® Caché®
  - up to 600 mm pull-out length
  - hose surface to fit faucet surface
- Hose guide, swivelling 270°
- KWC cartridge M 35
  - with ceramic discs
  - flow rate and temperature continuously variable
- Flexible connection hoses 3/8"
- Fastening by means of threaded sleeve M33 x 1.5
- Mounting hole size ø35 mm

Flow rate 10 l/min (3 bar)  
Acoustic group I





Article-No.	KWC-No.
<b>115.0307.894</b>	10.121.102.000FL
all chrome, A 190, flexible connection hoses, mains receiver	
<b>115.0307.869</b>	10.121.102.700FL
stainless steel, A 190, flexible connection hoses, mains receiver	

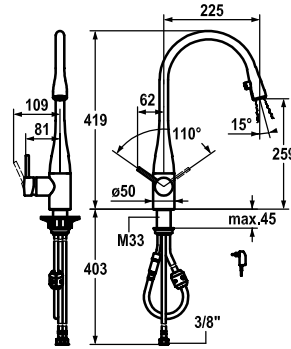
**Lever mixer ■ Kitchen ■ with LUMINAQUA® LED-technology**

**Lever mixer**

- Lever installation possible on the right or left side
- Pull-out aerator covered
  - Neoperl® Caché®
  - integrated ON/OFF push-button with automatic shut-off after 45 minutes
  - up to 600 mm pull-out length
  - hose surface to fit faucet surface
- Hose guide, swivelling 270°
- KWC cartridge M 35
  - with ceramic discs
  - flow rate and temperature continuously variable
- Flexible connection hoses 3/8"
- Fastening by means of threaded sleeve M33 x 1.5
- Mounting hole size ø35 mm
- Scope of delivery:
  - Mains receiver 100-240 V / operating voltage 6.75 V / cable length 1100 mm

Flow rate 10 l/min (3 bar)  
Acoustic group I

<p>Z.636.165 M18.5x1</p> <p>LED Z.535.263.000 LED Z.535.263.700</p> <p>LED Z.536.254.000 LED Z.536.254.700</p>	<p>A 190 Z.535.583.000 Z.535.583.700</p>	<p>Z.635.385 SW 32</p> <p>Z.534.836 9 Nm +/- 1 Nm</p> <p>Z.536.052.000</p> <p>Z.536.578.000</p>	<p>GB: Z.636.238 AUS: Z.636.237 USA/JPN: Z.636.236</p> <p>Z.636.235</p> <p>L= 1100 mm / 31 1/2"</p> <p>CH/EU: Z.635.582</p>
<p>CH/EU:</p> <p>M16x1</p> <p>Z.535.331</p> <p>M14x1</p>	<p>Z.601.981</p> <p>Z.536.007</p>	<p>Z.536.578.700</p> <p>Z.635.385 SW 32</p> <p>Z.534.836 9 Nm +/- 1 Nm</p> <p>Z.536.008.700</p>	<p>Z.536.167</p> <p>Z.532.241</p> <p>M16x1</p> <p>M14x1</p> <p>Z.535.773</p>
<p>M18.5x1 Z.634.729</p> <p>CACHÉ® NEOPERL®</p>			
<p>Z.534.836 9 Nm +/- 1 Nm</p> <p>Z.635.385 SW 32</p>			



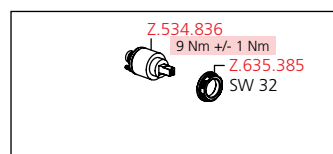
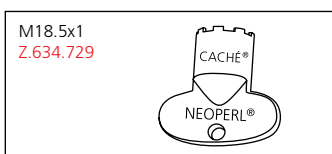
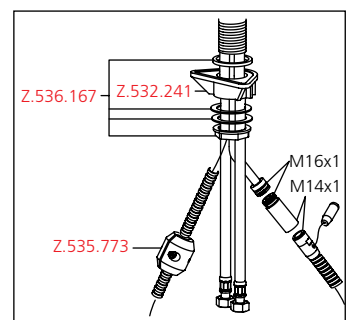
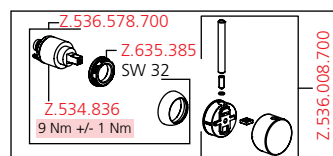
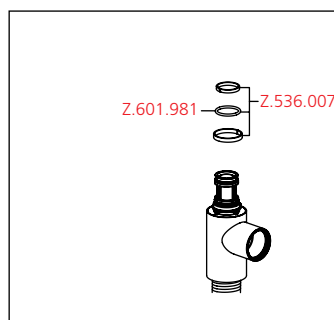
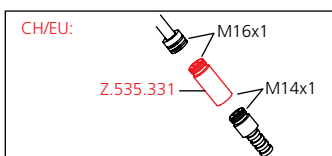
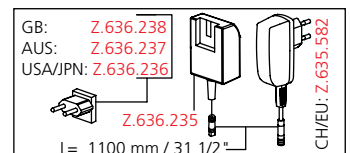
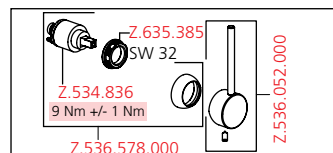
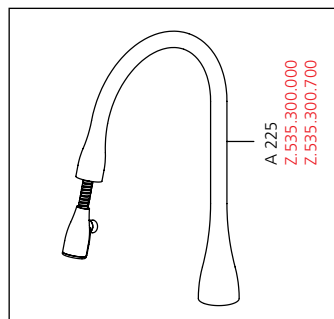
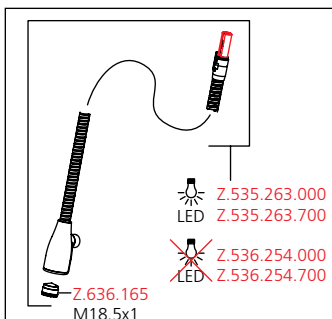
Article-No.	KWC-No.
<b>115.0308.180</b>	10.121.103.000FL
all chrome, A 225, flexible connection hoses, mains receiver	
<b>115.0308.182</b>	10.121.103.700FL
stainless steel, A 225, flexible connection hoses, mains receiver	

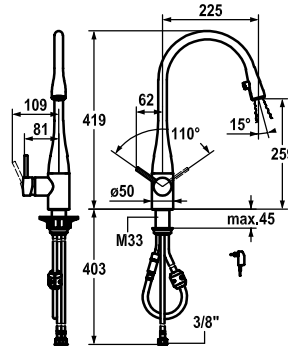
**Lever mixer ■ Kitchen ■ with LUMINAQUA® LED-technology**

**Lever mixer**

- Lever installation possible on the right or left side
- Pull-out aerator covered
  - Neoperl® Caché®
  - integrated ON/OFF push-button with automatic shut-off after 45 minutes
  - up to 600 mm pull-out length
  - hose surface to fit faucet surface
- Hose guide, swivelling 270°
- KWC cartridge M 35
  - with ceramic discs
  - flow rate and temperature continuously variable
- Flexible connection hoses 3/8"
- Fastening by means of threaded sleeve M33 x 1.5
- Mounting hole size ø35 mm
- Scope of delivery:
  - Mains receiver 100-240 V / operating voltage 6.75 V / cable length 1100 mm

Flow rate 10 l/min (3 bar)  
Acoustic group I





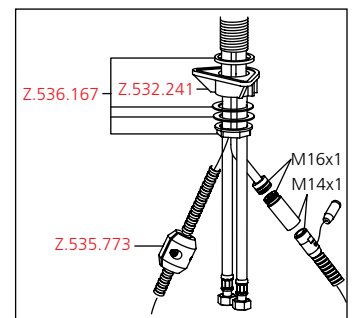
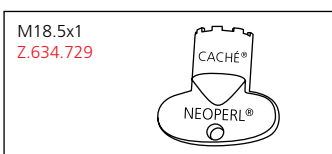
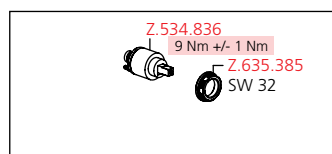
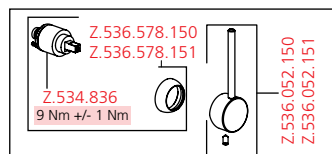
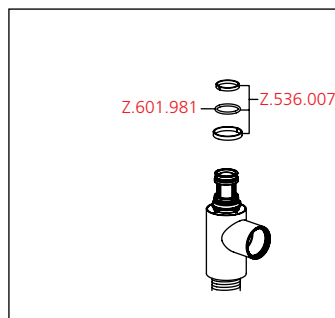
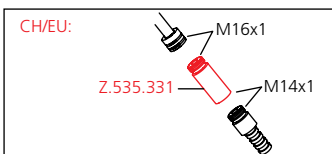
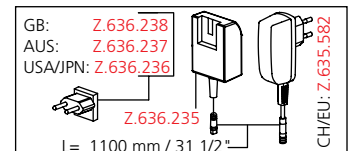
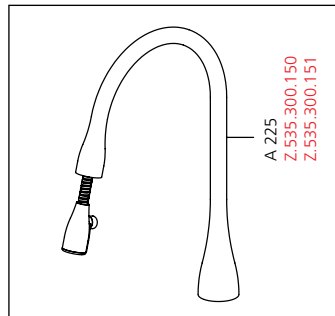
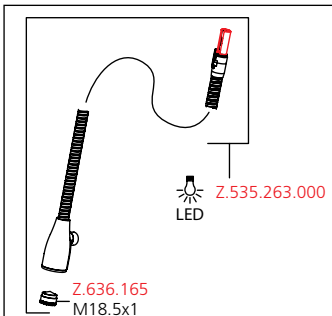
<b>Article-No.</b>	KWC-No.
<b>115.0308.203</b>	10.121.103.150FL
glacier white, A 225, flexible connection hoses, mains receiver	

**Lever mixer ■ Kitchen ■ with LUMINAQUA® LED-technology**

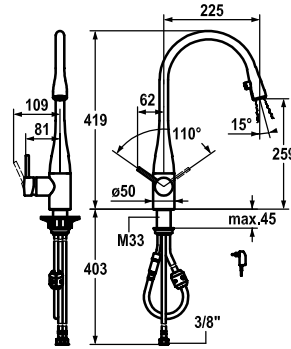
**Lever mixer**

- Lever installation possible on the right or left side
- Pull-out aerator covered
  - Neoperl® Caché®
  - integrated ON/OFF push-button with automatic shut-off after 45 minutes
  - up to 600 mm pull-out length
  - hose surface to fit faucet surface
- Hose guide, swivelling 270°
- KWC cartridge M 35
  - with ceramic discs
  - flow rate and temperature continuously variable
- Flexible connection hoses 3/8"
- Fastening by means of threaded sleeve M33 x 1.5
- Mounting hole size ø35 mm
- Scope of delivery:
  - Mains receiver 100-240 V / operating voltage 6.75 V / cable length 1100 mm

Flow rate 10 l/min (3 bar)  
Acoustic group I







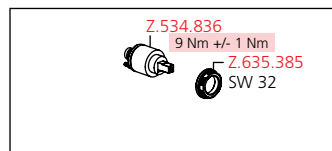
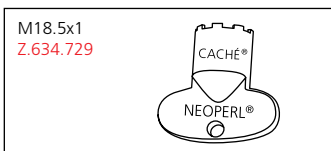
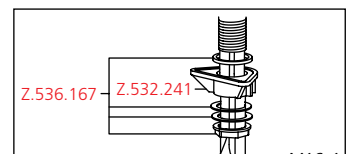
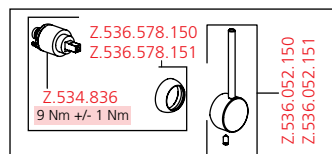
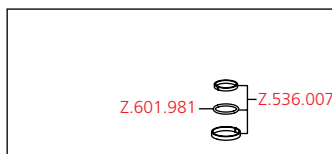
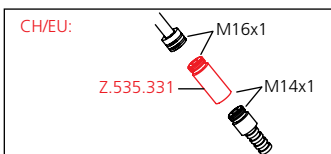
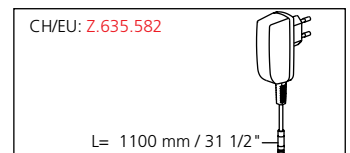
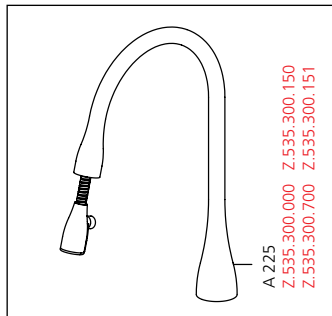
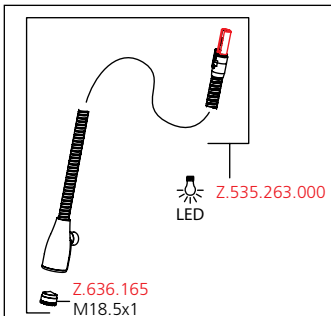
<b>Article-No.</b>	KWC-No.
<b>115.0308.204</b>	10.121.103.151FL
black chrome-plated, A 225, flexible connection hoses, mains receiver	

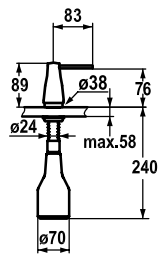
**Lever mixer ■ Kitchen ■ with LUMINAQUA® LED-technology**

Lever mixer

- Lever installation possible on the right or left side
- Pull-out aerator covered
  - Neoperl® Caché®
  - integrated ON/OFF push-button with automatic shut-off after 45 minutes
  - up to 600 mm pull-out length
  - hose surface to fit faucet surface
- Hose guide, swivelling 270°
- KWC cartridge M 35
  - with ceramic discs
  - flow rate and temperature continuously variable
- Flexible connection hoses 3/8"
- Fastening by means of threaded sleeve M33 x 1.5
- Mounting hole size ø35 mm
- Scope of delivery:
  - Mains receiver 100-240 V / operating voltage 6.75 V / cable length 1100 mm

Flow rate 10 l/min (3 bar)  
Acoustic group I

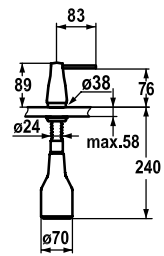




Article-No.	KWC-No.
<b>119.0307.870</b>	Z.536.063.000
all chrome	
<b>119.0307.901</b>	Z.536.063.700
stainless steel	

### Soap dispenser KWC EVE

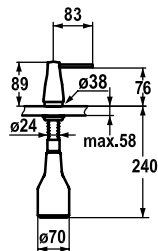
- Easily refillable from surface without disassembly
- Mounting hole size  $\varnothing 26$  mm
- Scope of delivery:
  - Pump
  - Soap container, filling capacity 300 ml



Article-No.	KWC-No.
<b>119.0308.348</b>	Z.536.063.150
glacier white	

### Soap dispenser KWC EVE

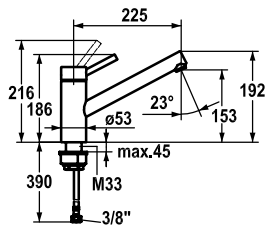
- Easily refillable from surface without disassembly
- Mounting hole size  $\varnothing 26$  mm
- Scope of delivery:
  - Pump
  - Soap container, filling capacity 300 ml



Article-No.	KWC-No.
<b>119.0308.349</b>	Z.536.063.151
black chrome-plated	

### Soap dispenser KWC EVE

- Easily refillable from surface without disassembly
- Mounting hole size  $\varnothing 26$  mm
- Scope of delivery:
  - Pump
  - Soap container, filling capacity 300 ml

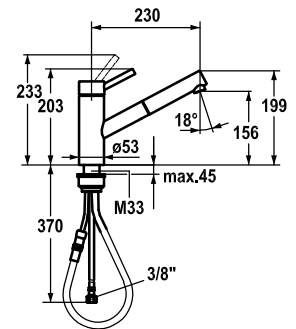
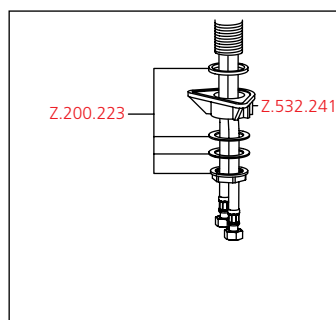
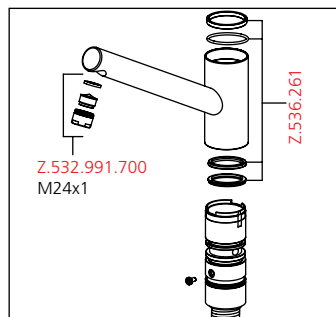
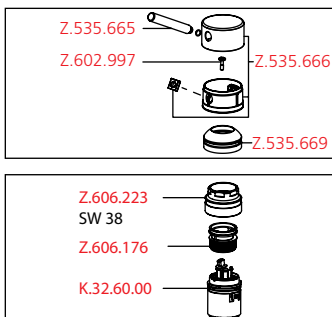


**Article-No.** 115.0315.697 **KWC-No.** 10.271.023.700FL  
 stainless steel, A 225, flexible connection hoses

**Lever mixer ■ Kitchen**

- Lever mixer
- Swivel spout 160°
    - Neoperl® Cascade®
  - KWC cartridge L 39 - universal
    - with ceramic discs
    - flow rate and temperature continuously variable
    - temperature and flow rate limitation
  - Flexible connection hoses 3/8"
  - Fastening by means of threaded sleeve M33 x 1.5
  - Mounting hole size ø35 mm

Flow rate 12 l/min (3 bar)  
 Acoustic group I

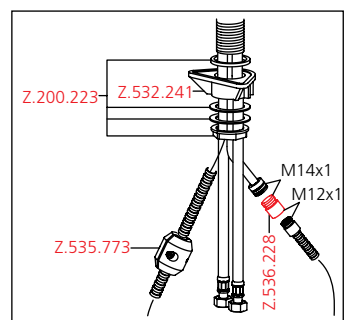
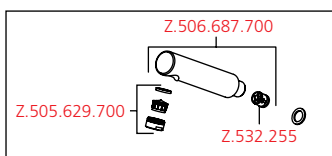
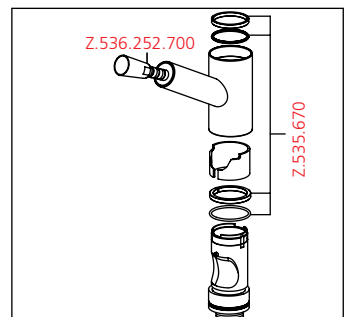
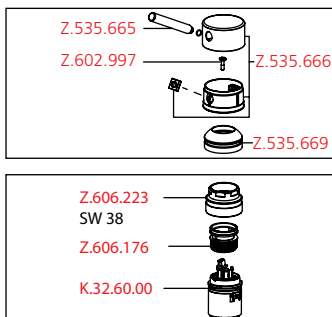


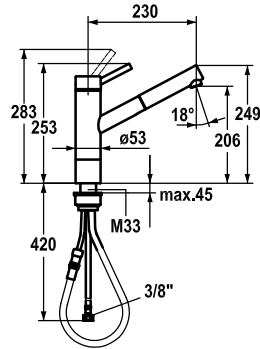
**Article-No.** 115.0315.658 **KWC-No.** 10.271.103.700FL  
 stainless steel, A 230, flexible connection hoses

**Lever mixer ■ Kitchen**

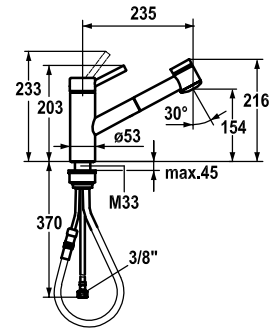
- Lever mixer
- Pull-out aerator
    - Neoperl® Cascade®
    - up to 700 mm pull-out length
    - hose surface to fit faucet surface
  - Hose guide, swivelling 130°
  - KWC cartridge L 39 - universal
    - with ceramic discs
    - flow rate and temperature continuously variable
    - temperature and flow rate limitation
  - Flexible connection hoses 3/8"
  - Fastening by means of threaded sleeve M33 x 1.5
  - Mounting hole size ø35 mm

Flow rate 12 l/min (3 bar)  
 Acoustic group I





Article-No.	KWC-No.
<b>115.0315.698</b>	10.271.303.700FL
stainless steel, A 230, flexible connection hoses	



Article-No.	KWC-No.
<b>115.0315.656</b>	10.271.033.700FL
stainless steel, A 235, flexible connection hoses	
<b>115.0315.657</b>	10.271.033.736FL
stainless steel/matte black, A 235, flexible connection hoses	

**Lever mixer ■ Kitchen**

Lever mixer

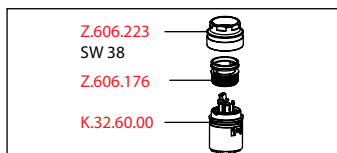
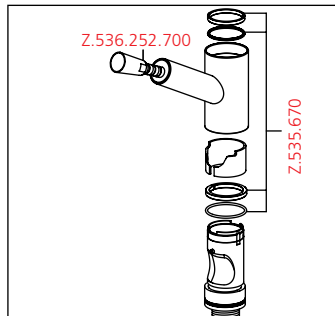
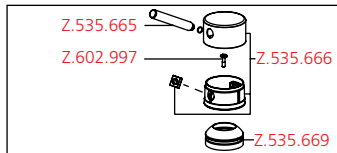
- Socket 50 mm
- Pull-out aerator
  - Neoperl® Cascade®
  - up to 700 mm pull-out length
  - hose surface to fit faucet surface
- Hose guide, swivelling 130°
- KWC cartridge L 39 - universal
  - with ceramic discs
  - flow rate and temperature continuously variable
  - temperature and flow rate limitation
- Flexible connection hoses 3/8"
- Fastening by means of threaded sleeve M33 x 1.5
- Mounting hole size ø35 mm

**Lever mixer ■ Kitchen**

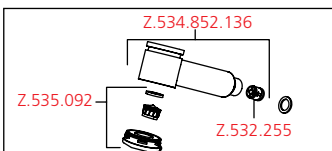
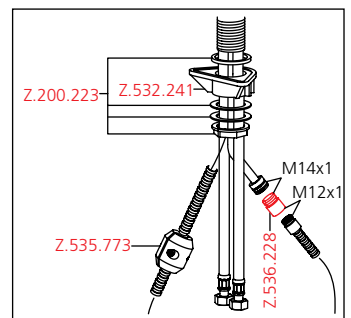
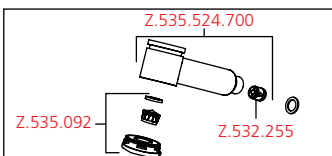
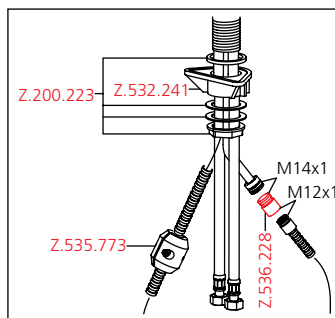
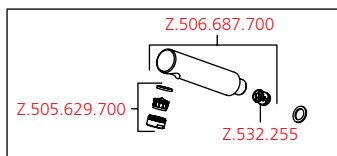
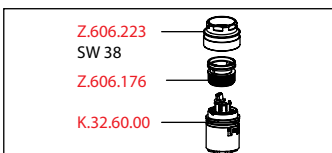
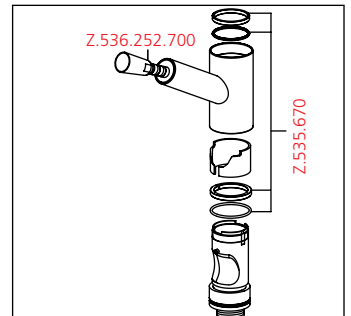
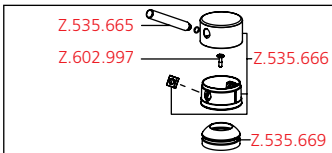
Lever mixer

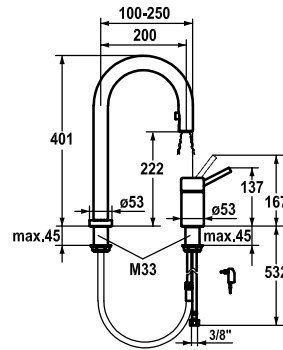
- Pull-out spray with KWC JETCLEAN
  - up to 700 mm pull-out length
  - with lockable needle spray
  - automatic diverter reset
  - hose surface to fit faucet surface
- Hose guide, swivelling 130°
- KWC cartridge L 39 - universal
  - with ceramic discs
  - flow rate and temperature continuously variable
  - temperature and flow rate limitation
- Flexible connection hoses 3/8"
- Fastening by means of threaded sleeve M33 x 1.5
- Mounting hole size ø35 mm

Flow rate 12 l/min (3 bar)  
Acoustic group I



Flow rate normal spray 12 l/min (3 bar)  
Flow rate needle spray 13 l/min (3 bar)  
Acoustic group I



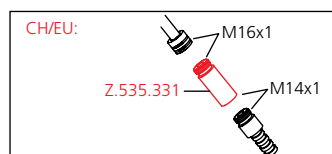
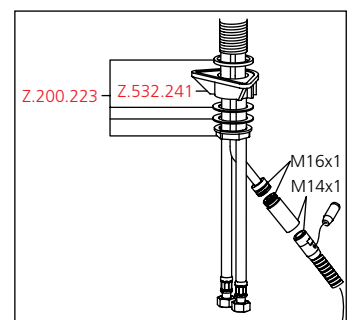
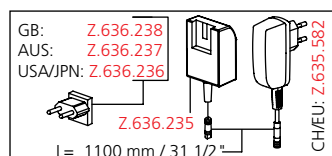
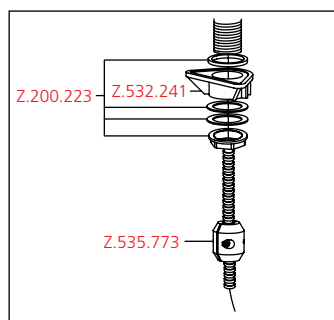
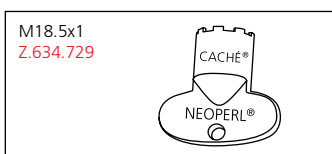
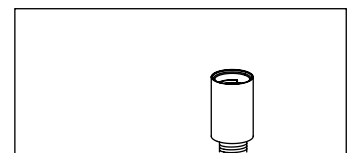
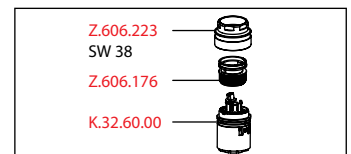
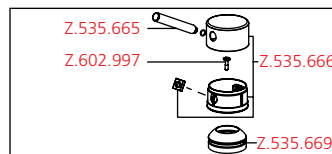
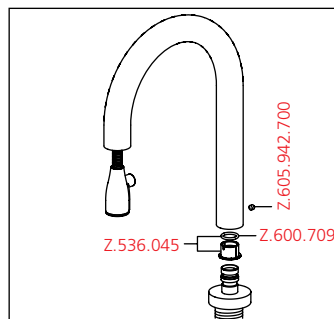
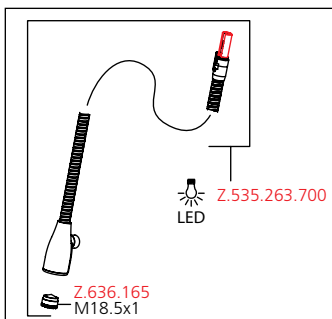


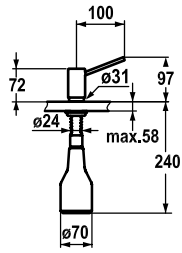
<b>Article-No.</b>	KWC-No.
<b>115.0315.703</b>	10.272.123.700FL
stainless steel, A 200, flexible connection hoses, mains receiver	

**Lever mixer ■ Kitchen ■ with LUMINAQUA® LED-technology**

- Lever mixer
- 2-hole
- Lever installation possible on the right or left side
- Pull-out aerator covered
  - Neoperl® Caché®
  - up to 500 mm pull-out length
  - integrated ON/OFF push-button with automatic shut-off after 45 minutes
  - hose surface to fit faucet surface
- Hose guide, swivelling 360°
- KWC cartridge L 39 - universal
  - with ceramic discs
  - flow rate and temperature continuously variable
  - temperature and flow rate limitation
- Flexible connection hoses 3/8"
- Fastening by means of threaded sleeve M33 x 1.5
- Mounting hole size ø35 mm
- Scope of delivery:
  - Mains receiver 100-240 V / operating voltage 6.5 V / cable length 1100 mm

Flow rate 11 l/min (3 bar)  
Acoustic group I

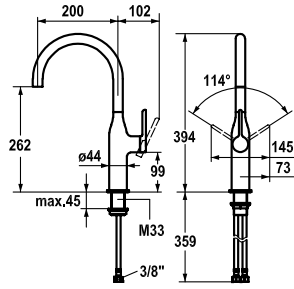




Article-No.	KWC-No.
<b>119.0310.326</b>	Z.536.062.700
stainless steel	

### Soap dispenser KWC INOX

- Easily refillable from surface without disassembly
- Mounting hole size  $\varnothing 26$  mm
- Scope of delivery:
  - Pump
  - Soap container, filling capacity 300 ml



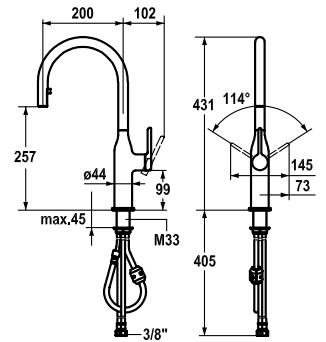
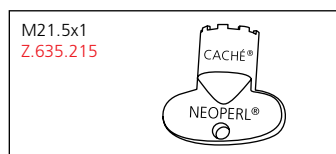
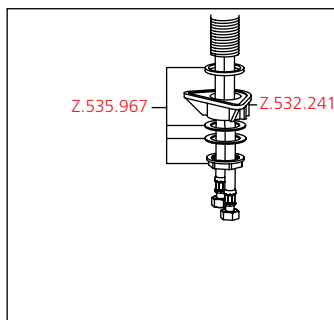
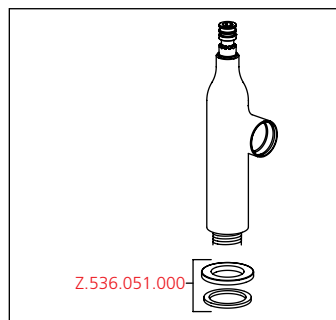
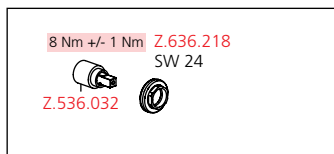
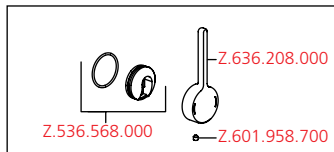
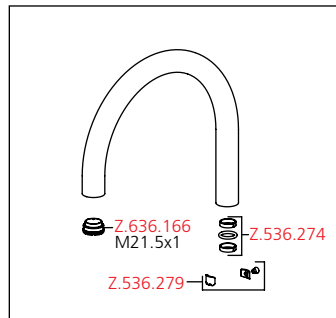
Article-No.	KWC-No.
<b>115.0308.212</b>	10.261.012.000FL
all chrome, A 200, flexible connection hoses	

**Lever mixer ■ Kitchen**

Lever mixer

- Lever installation possible on the right or left side
- Swivel spout 160°
  - Neoperl® Caché®
- KWC cartridge S 25
  - with ceramic discs
  - flow rate and temperature continuously variable
- Flexible connection hoses 3/8"
- Fastening by means of threaded sleeve M33 x 1.5
- Mounting hole size ø35 mm

Flow rate 12 l/min (3 bar)  
Acoustic group I



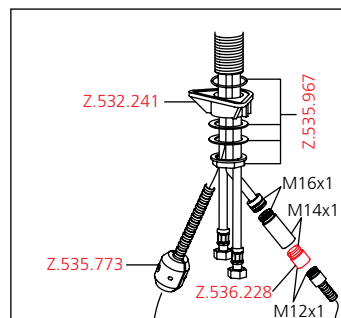
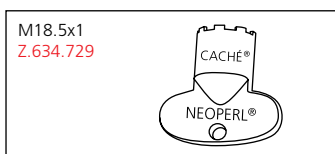
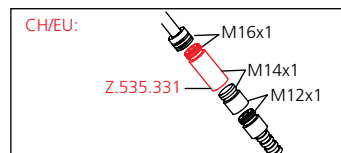
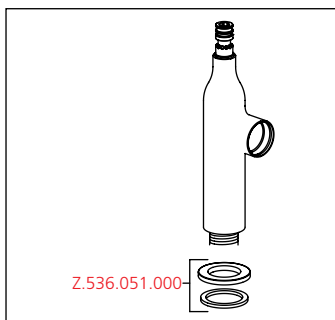
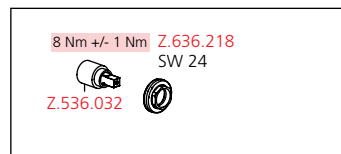
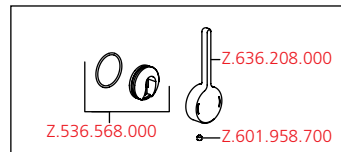
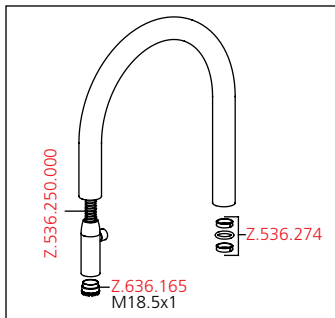
Article-No.	KWC-No.
<b>115.0308.211</b>	10.261.102.000FL
all chrome, A 200, flexible connection hoses	

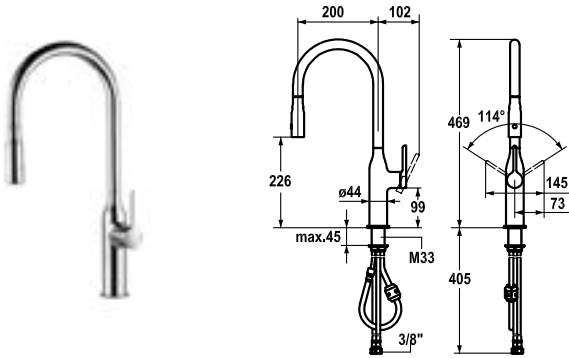
**Lever mixer ■ Kitchen**

Lever mixer

- Lever installation possible on the right or left side
- Pull-out aerator covered
  - Neoperl® Caché®
  - up to 500 mm pull-out length
  - hose surface to fit faucet surface
- Hose guide, swivelling 360°
- KWC cartridge S 25
  - with ceramic discs
  - flow rate and temperature continuously variable
- Flexible connection hoses 3/8"
- Fastening by means of threaded sleeve M33 x 1.5
- Mounting hole size ø35 mm

Flow rate 8 l/min (3 bar)  
Acoustic group I





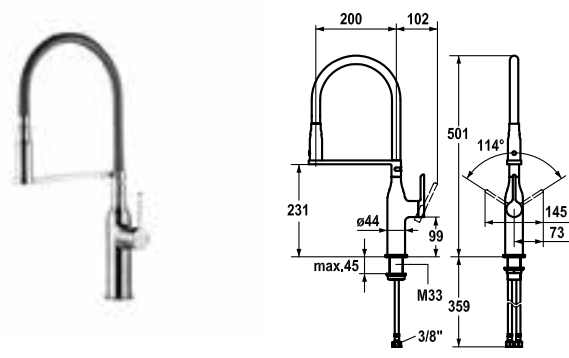
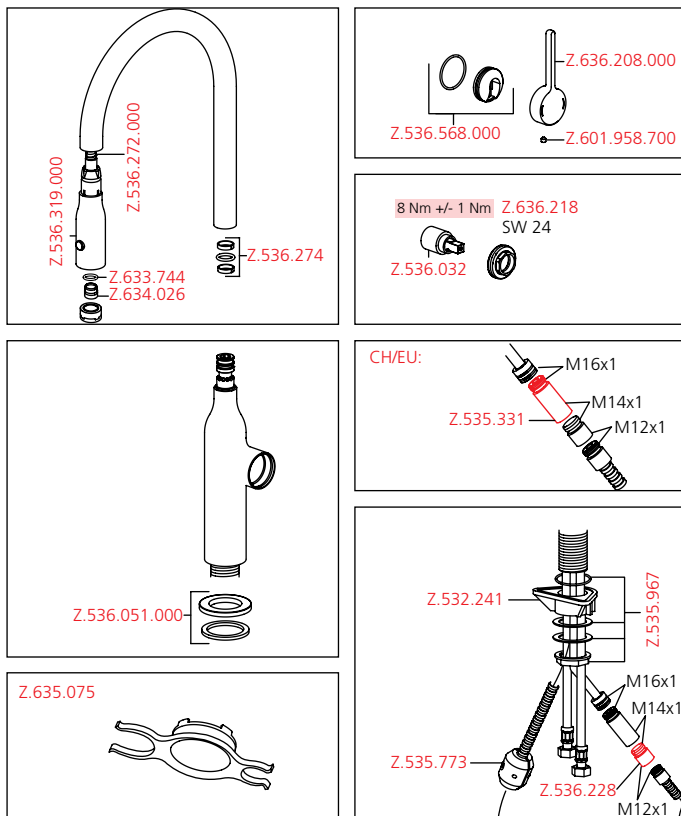
Article-No.	KWC-No.
<b>115.0308.210</b>	10.261.002.000FL
all chrome, A 200, flexible connection hoses	

**Lever mixer ■ Kitchen**

Lever mixer

- Lever installation possible on the right or left side
- Pull-out spray 360° turn
  - KWC JETCLEAN technology
  - Neoperl® Caché®
  - automatic diverter reset
  - up to 500 mm pull-out length
  - hose surface to fit faucet surface
- Hose guide, swivelling 360°
- KWC cartridge S 25
  - with ceramic discs
  - flow rate and temperature continuously variable
- Flexible connection hoses 3/8"
- Fastening by means of threaded sleeve M33 x 1.5
- Mounting hole size ø35 mm

Flow rate normal spray 7 l/min (3 bar)  
 Flow rate needle spray 6 l/min (3 bar)  
 Acoustic group I



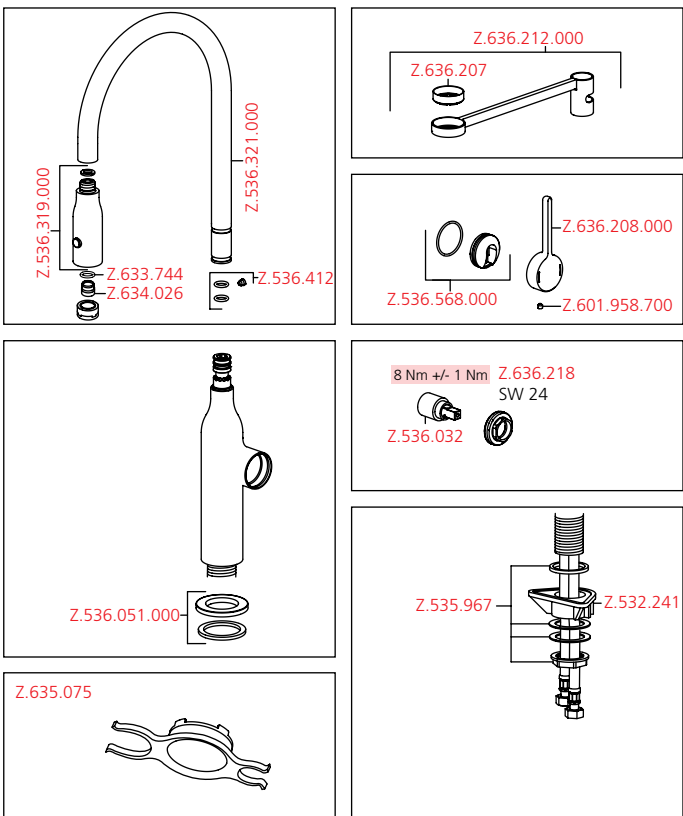
Article-No.	KWC-No.
<b>115.0308.209</b>	10.261.432.000FL
all chrome, A 200, flexible connection hoses	

**Lever mixer ■ Kitchen**

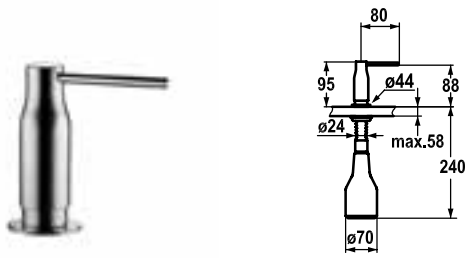
Lever mixer

- KWC highflex™ patented spring hose technology
- Lever installation possible on the right or left side
- Spray 360° turn
  - KWC JETCLEAN technology
  - Neoperl® Caché®
  - automatic diverter reset
- Swivel spout 360°
- KWC cartridge S 25
  - with ceramic discs
  - flow rate and temperature continuously variable
- Flexible connection hoses 3/8"
- Fastening by means of threaded sleeve M33 x 1.5
- Mounting hole size ø35 mm

Flow rate normal spray 8 l/min (3 bar)  
 Flow rate needle spray 6 l/min (3 bar)  
 Acoustic group I



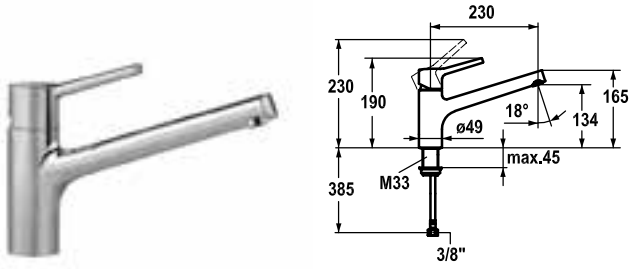




Article-No.	KWC-No.
<b>119.0308.350</b>	Z.536.332.000
all chrome	

### Soap dispenser KWC SIN

- Easily refillable from surface without disassembly
- Mounting hole size  $\varnothing 26$  mm
- Scope of delivery:
  - Pump
  - Soap container, filling capacity 300 ml



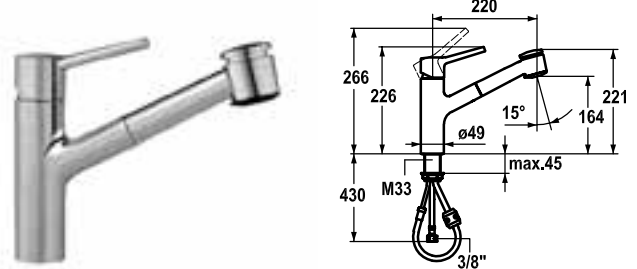
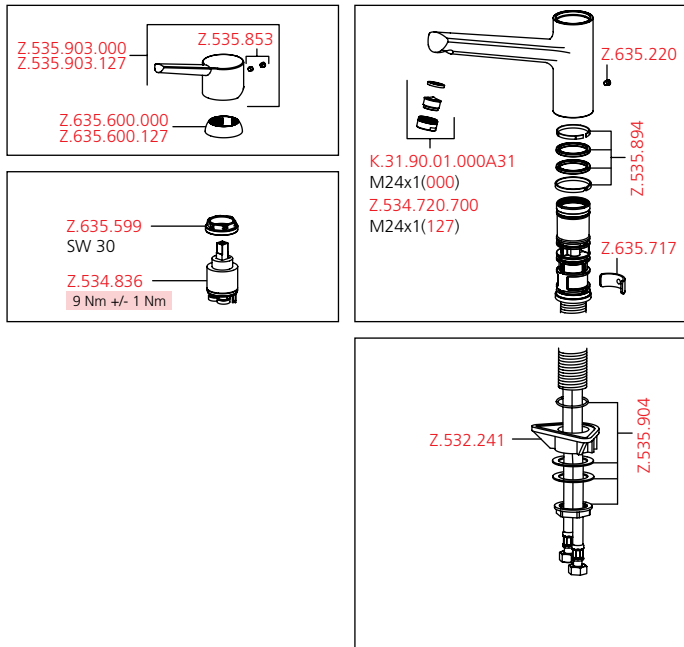
Article-No.	KWC-No.
<b>115.0308.172</b>	10.211.023.000FL
all chrome, A 230, flexible connection hoses	
<b>115.0308.236</b>	10.211.023.127FL
decor steel, A 230, flexible connection hoses	

**Lever mixer ■ Kitchen**

Lever mixer

- Swivel spout 160°
  - Neoperl® Cascade®
- KWC cartridge M 35
  - with ceramic discs
  - flow rate and temperature continuously variable
- Flexible connection hoses 3/8"
- Fastening by means of threaded sleeve M33 x 1.5
- Mounting hole size ø35 mm

Flow rate 12 l/min (3 bar)  
Acoustic group I



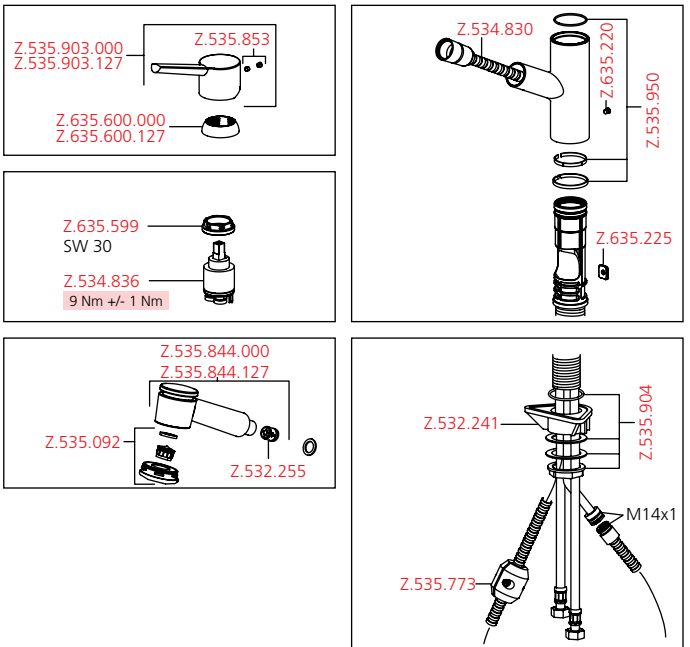
Article-No.	KWC-No.
<b>115.0308.175</b>	10.211.033.000FL
all chrome, A 220, flexible connection hoses	
<b>115.0308.237</b>	10.211.033.127FL
decor steel, A 220, flexible connection hoses	

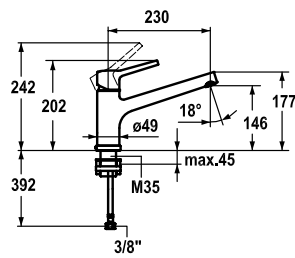
**Lever mixer ■ Kitchen**

Lever mixer

- Pull-out spray with KWC JETCLEAN
  - up to 600 mm pull-out length
  - automatic diverter reset
  - hose surface to fit faucet surface
- Hose guide, swivelling 130°
- KWC cartridge M 35
  - with ceramic discs
  - flow rate and temperature continuously variable
- Flexible connection hoses 3/8"
- Fastening by means of threaded sleeve M33 x 1.5
- Mounting hole size ø35 mm

Flow rate normal spray 12 l/min (3 bar)  
Flow rate needle spray 11 l/min (3 bar)  
Acoustic group I





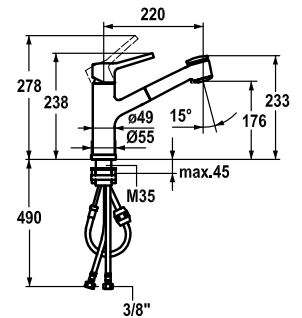
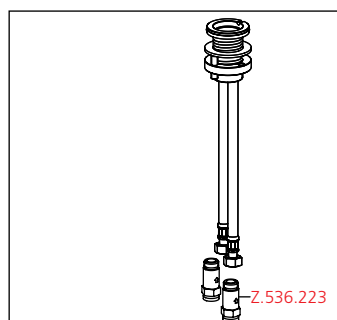
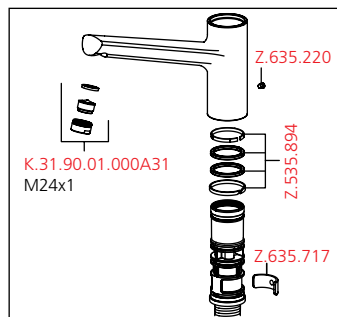
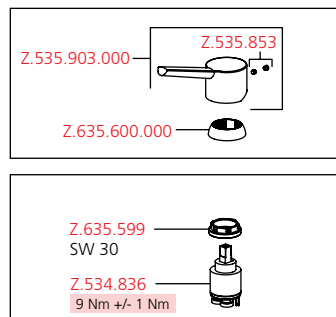
Article-No.	KWC-No.
<b>115.0308.258</b>	10.211.043.000FL
all chrome, A 230, flexible connection hoses	

**Lever mixer ■ Kitchen ■ detachable**

Lever mixer

- Detachable for installation below windows - detached 55 mm
- Intrinsically safe against backflow
- Swivel spout 160°
  - Neoperl® Cascade®
- KWC cartridge M 35
  - with ceramic discs
  - flow rate and temperature continuously variable
- Flexible connection hoses 3/8"
- Fastening by means of threaded sleeve M35 x 1.5 (preassembled socket)
- Mounting hole size ø35 - 37 mm

Flow rate 12 l/min (3 bar)  
Acoustic group I



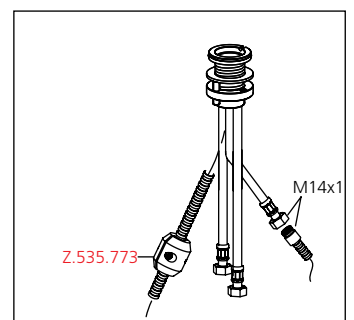
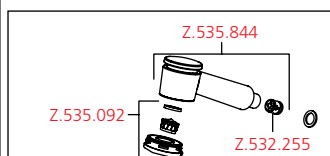
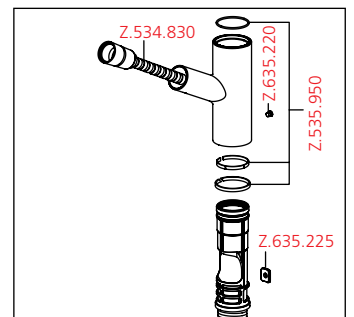
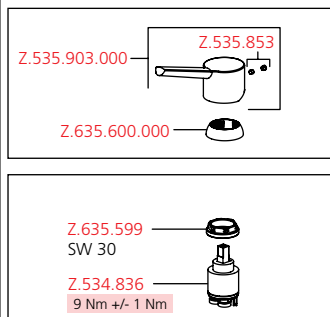
Article-No.	KWC-No.
<b>115.0308.259</b>	10.211.053.000FL
all chrome, A 220, flexible connection hoses	

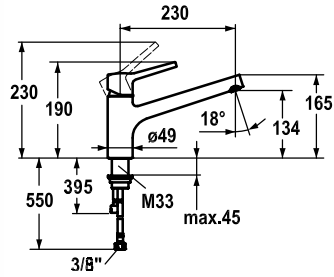
**Lever mixer ■ Kitchen ■ detachable**

Lever mixer

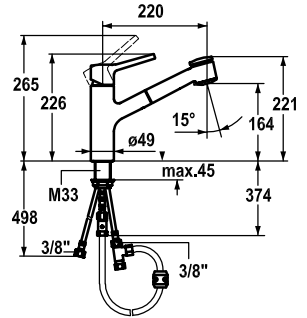
- Detachable for installation below windows - detached 55 mm
- Intrinsically safe against backflow
- Pull-out spray with KWC JETCLEAN
  - up to 600 mm pull-out length
  - automatic diverter reset
  - hose surface to fit faucet surface
- Hose guide, swivelling 130°
- KWC cartridge M 35
  - with ceramic discs
  - flow rate and temperature continuously variable
- Flexible connection hoses 3/8"
- Fastening by means of threaded sleeve M35 x 1.5 (preassembled socket)
- Mounting hole size ø35 - 37 mm

Flow rate normal spray 10 l/min (3 bar)  
Flow rate needle spray 9 l/min (3 bar)  
Acoustic group I





Article-No.	KWC-No.
<b>115.0334.256</b>	10.215.023.000FL
all chrome, A 230, flexible connection hoses	
<b>115.0334.257</b>	10.215.023.127FL
decor steel, A 230, flexible connection hoses	



Article-No.	KWC-No.
<b>115.0358.208</b>	10.215.033.000FL
all chrome, A 220, flexible connection hoses	
<b>115.0358.209</b>	10.215.033.127FL
decor steel, A 220, flexible connection hoses	

Lever mixer ■ Kitchen ■ Low pressure



Lever mixer

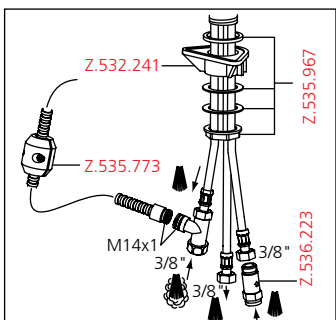
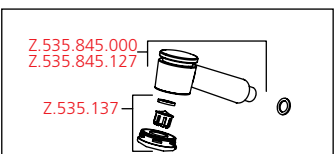
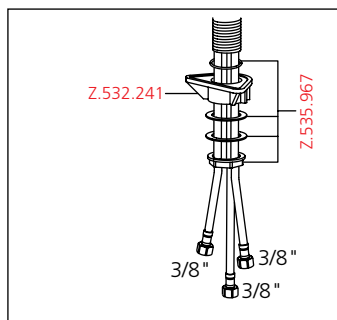
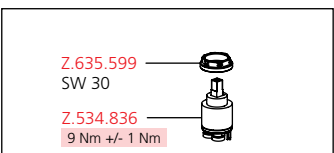
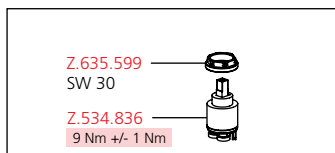
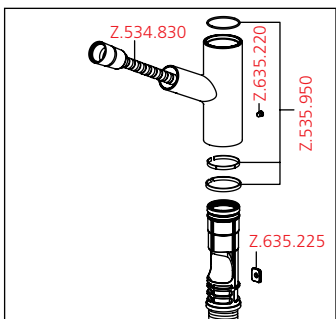
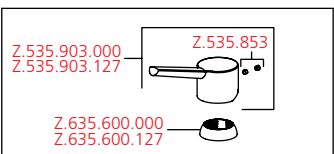
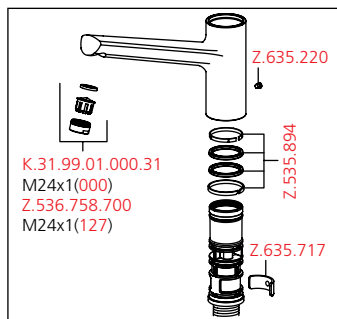
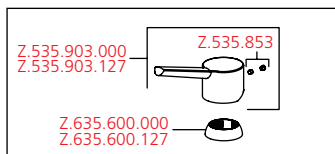
- Swivel spout 160°
  - Jet regulator
- KWC cartridge M 35
  - with ceramic discs
  - flow rate and temperature continuously variable
- Flexible connection hoses 3/8"
- Fastening by means of threaded sleeve M33 x 1.5
- Mounting hole size ø35 mm

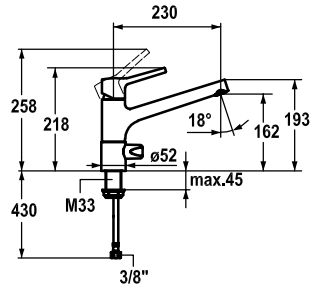
Lever mixer ■ Kitchen ■ Low pressure



Lever mixer

- Pull-out spray with KWC JETCLEAN
  - up to 600 mm pull-out length
  - automatic diverter reset
  - hose surface to fit faucet surface
- Hose guide, swivelling 130°
- KWC cartridge M 35
  - with ceramic discs
  - flow rate and temperature continuously variable
- Flexible connection hoses 3/8"
- Fastening by means of threaded sleeve M33 x 1.5
- Mounting hole size ø35 mm





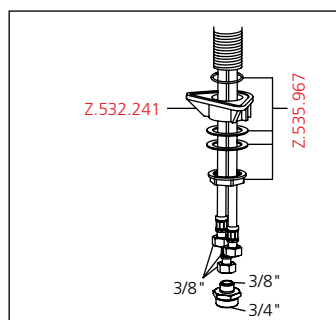
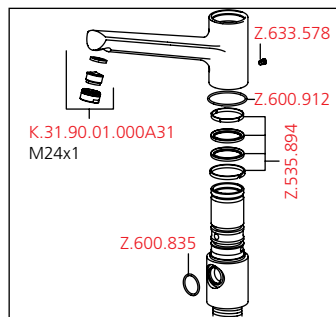
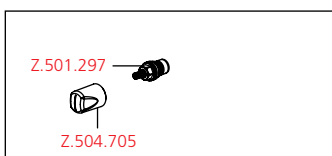
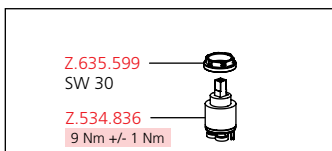
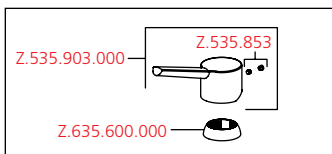
Article-No.	KWC-No.
<b>115.0308.174</b>	10.211.063.000FL
all chrome, A 230, flexible connection hoses	

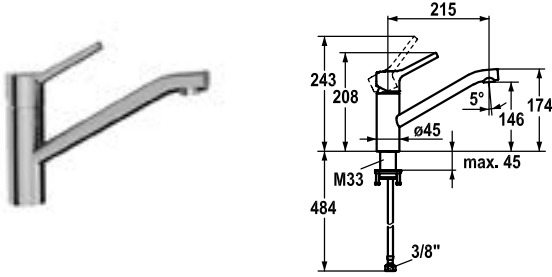
**Lever mixer ■ Kitchen ■ Integrated shut-off valve**

Lever mixer

- Default shut-off valve position
- Swivel spout 140°
  - Neoperl® Cascade®
- KWC cartridge M 35
  - with ceramic discs
  - flow rate and temperature continuously variable
- Flexible connection hoses 3/8"
- Fastening by means of threaded sleeve M33 x 1.5
- Mounting hole size ø35 mm

Flow rate 12 l/min (3 bar)  
Acoustic group I





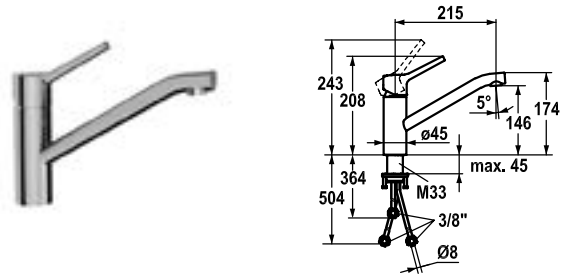
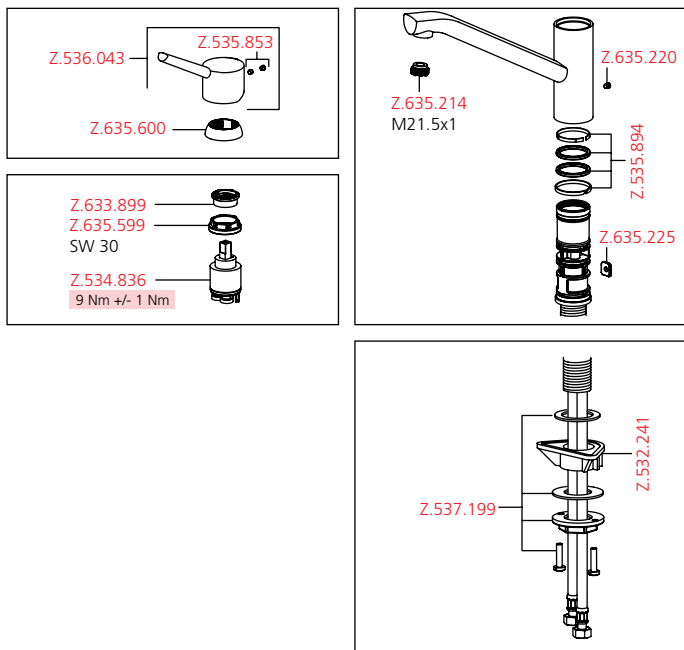
Article-No.	KWC-No.
<b>115.0308.245</b>	10.891.022.000FL
all chrome, A 215, flexible connection hoses	

**Kitchen**

Lever mixer

- Swivel spout 270°
  - Neoperl® Caché®
- KWC cartridge M 35
  - with ceramic discs
  - flow rate and temperature continuously variable
  - temperature limitation
- Flexible connection hoses 3/8"
- Fastening by means of threaded sleeve M33 x 1.5
- Mounting hole size ø35 mm

Flow rate 12 l/min (3 bar)  
Acoustic group I



Article-No.	KWC-No.
<b>115.0308.246</b>	10.895.022.000
all chrome, A 215, copper tubes	

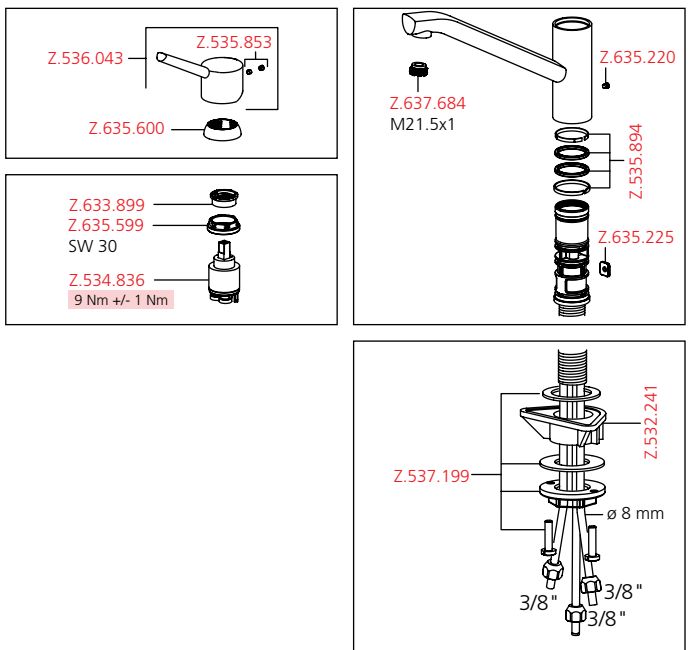
**Kitchen ▀ Low pressure**

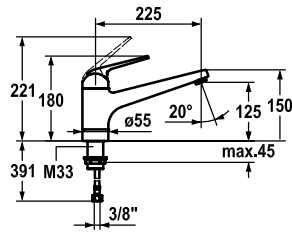


Lever mixer

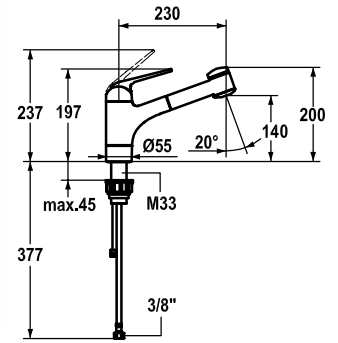
- Swivel spout 270°
  - Neoperl® Caché® Jet regulator
- KWC cartridge M 35
  - with ceramic discs
  - flow rate and temperature continuously variable
  - temperature limitation
- Copper tubes ø8 mm
- Fastening by means of threaded sleeve M33 x 1.5
- Mounting hole size ø35 mm

Flow rate 6 l/min (3 bar)  
Acoustic group I





Article-No.	KWC-No.
<b>115.0308.225</b>	10.061.023.000FL
all chrome, A 225, flexible connection hoses	



Article-No.	KWC-No.
<b>115.0308.227</b>	10.061.033.000FL
all chrome, A 230, flexible connection hoses	

**Lever mixer ■ Kitchen**

Lever mixer

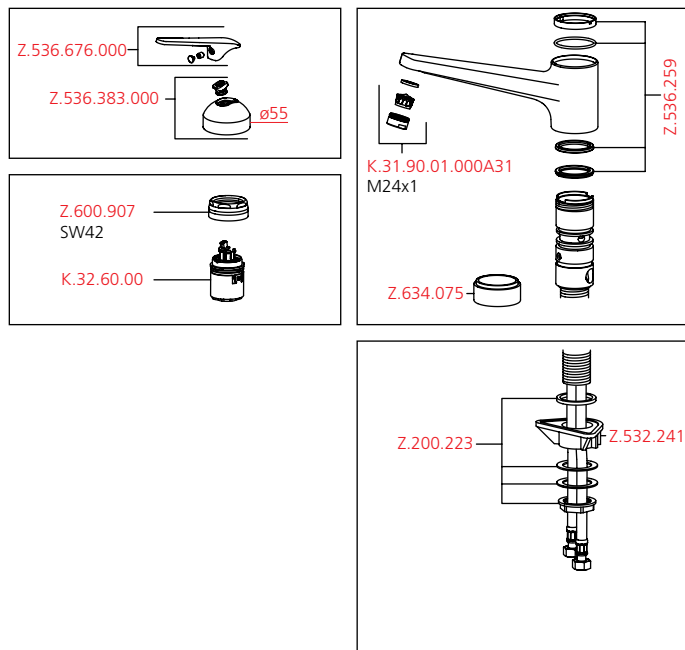
- flexGuard™ - Sealing membrane between lever and cap: protects the inside of the faucet
  - to prevent liquid penetrating from outside
- Swivel spout 160°
  - Neoperl® Cascade®
- KWC cartridge L 39 - universal
  - with ceramic discs
  - flow rate and temperature continuously variable
  - temperature and flow rate limitation
- Flexible connection hoses 3/8"
- Fastening by means of threaded sleeve M33 x 1.5
- Mounting hole size ø35 mm

**Lever mixer ■ Kitchen**

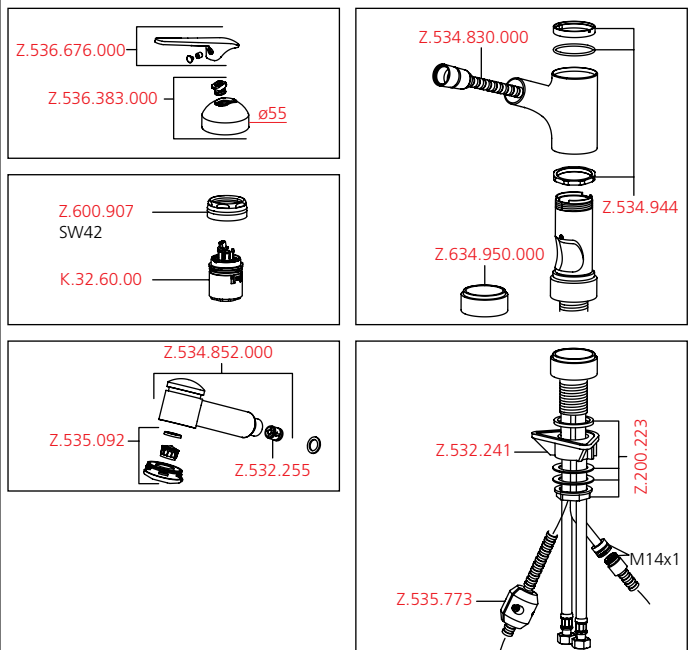
Lever mixer

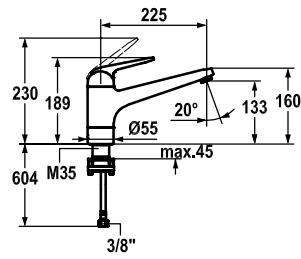
- flexGuard™ - Sealing membrane between lever and cap: protects the inside of the faucet
  - to prevent liquid penetrating from outside
- Pull-out spray with KWC JETCLEAN
  - up to 700 mm pull-out length
  - with lockable needle spray
  - automatic diverter reset
  - hose surface to fit faucet surface
- Hose guide, swivelling 130°
- KWC cartridge L 39 - universal
  - with ceramic discs
  - flow rate and temperature continuously variable
  - temperature and flow rate limitation
- Flexible connection hoses 3/8"
- Fastening by means of threaded sleeve M33 x 1.5
- Mounting hole size ø35 mm

Flow rate 12 l/min (3 bar)  
Acoustic group I



Flow rate normal spray 12 l/min (3 bar)  
Flow rate needle spray 12 l/min (3 bar)  
Acoustic group I





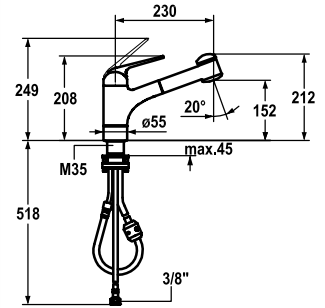
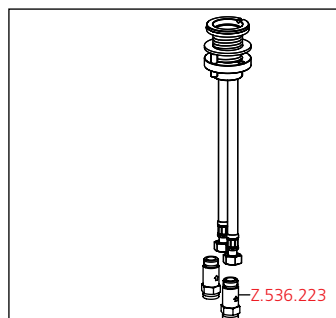
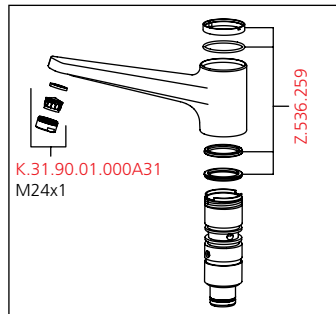
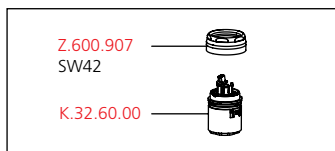
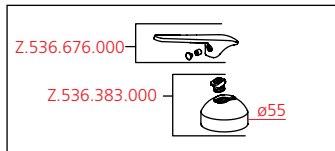
Article-No.	KWC-No.
<b>115.0308.228</b>	10.061.043.000FL
all chrome, A 225, flexible connection hoses	

**Lever mixer ■ Kitchen ■ detachable**

Lever mixer

- Detachable for installation below windows - detached 60 mm
- flexGuard™ - Sealing membrane between lever and cap:
  - protects the inside of the faucet
  - to prevent liquid penetrating from outside
- Inherently safe against backflow
- Swivel spout 160°
  - Neoperl® Cascade®
- KWC cartridge L 39 - universal
  - with ceramic discs
  - flow rate and temperature continuously variable
  - temperature and flow rate limitation
- Flexible connection hoses 3/8"
- Fastening by means of threaded sleeve M33 x 1.5
- Mounting hole size ø35 - 37 mm

Flow rate 12 l/min (3 bar)  
Acoustic group I



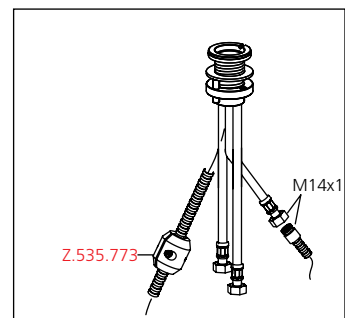
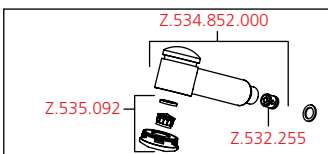
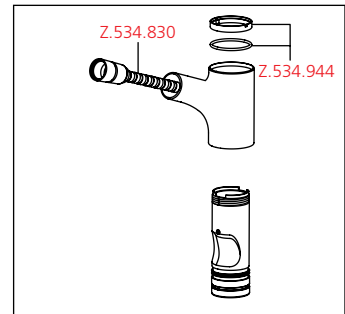
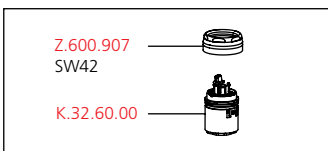
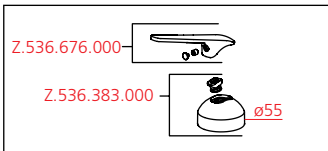
Article-No.	KWC-No.
<b>115.0308.229</b>	10.061.053.000FL
all chrome, A 230, flexible connection hoses	

**Lever mixer ■ Kitchen ■ detachable**

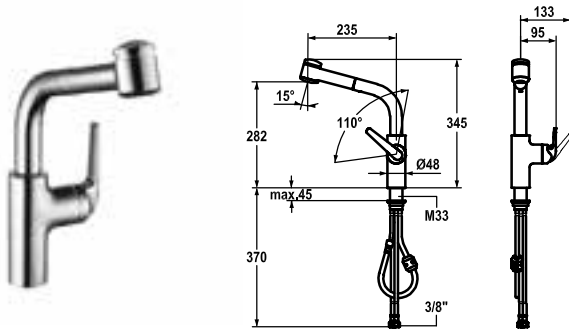
Lever mixer

- Detachable for installation below windows - detached 60 mm
- flexGuard™ - Sealing membrane between lever and cap:
  - protects the inside of the faucet
  - to prevent liquid penetrating from outside
- Inherently safe against backflow
- Pull-out spray with KWC JETCLEAN
  - up to 700 mm pull-out length
  - with lockable needle spray
  - automatic diverter reset
  - hose surface to fit faucet surface
- Hose guide, swivelling 130°
- KWC cartridge L 39 - universal
  - with ceramic discs
  - flow rate and temperature continuously variable
  - temperature and flow rate limitation
- Flexible connection hoses 3/8"
- Fastening by means of threaded sleeve M33 x 1.5
- Mounting hole size ø35 - 37 mm

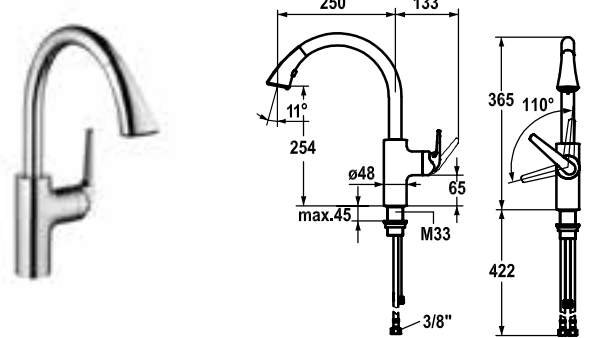
Flow rate normal spray 10 l/min (3 bar)  
Flow rate needle spray 10 l/min (3 bar)  
Acoustic group I







Article-No.	KWC-No.
<b>115.0308.230</b>	10.061.003.000FL
all chrome, A 235, flexible connection hoses	



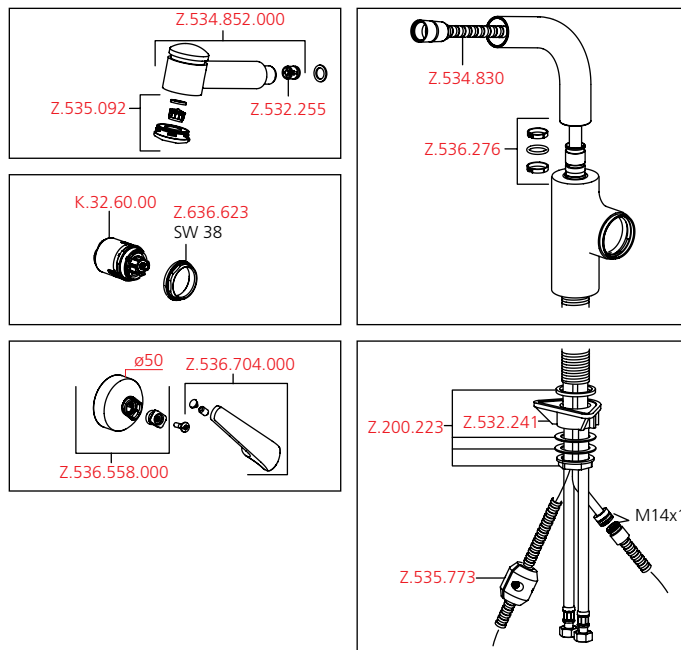
Article-No.	KWC-No.
<b>115.0308.231</b>	10.061.004.000FL
all chrome, A 250, flexible connection hoses	

**Lever mixer ■ Kitchen**

Lever mixer

- flexGuard™ - Sealing membrane between lever and cap:
  - protects the inside of the faucet
  - to prevent liquid penetrating from outside
- Lever installation only possible on the right side
  - Child safety: cold water flow in lever position towards the front
- gap between wall and centre of mounting hole min. 25 mm
- Pull-out spray with KWC JETCLEAN
  - up to 700 mm pull-out length
  - with lockable needle spray
  - automatic diverter reset
  - hose surface to fit faucet surface
- Hose guide, swivelling 360°
- KWC cartridge L 39 - universal
  - with ceramic discs
  - flow rate and temperature continuously variable
  - temperature and flow rate limitation
- Flexible connection hoses 3/8"
- Fastening by means of threaded sleeve M33 x 1.5
- Mounting hole size ø35 mm

Flow rate normal spray 12 l/min (3 bar)  
 Flow rate needle spray 12 l/min (3 bar)  
 Acoustic group I

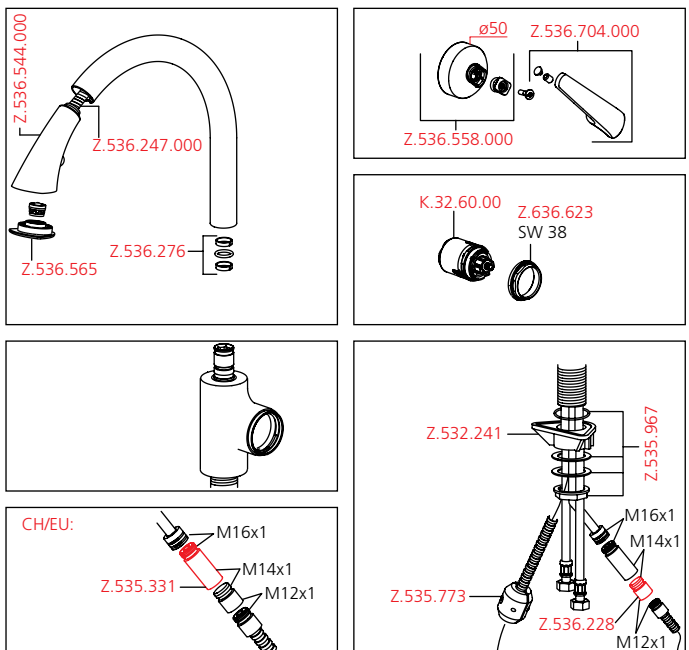


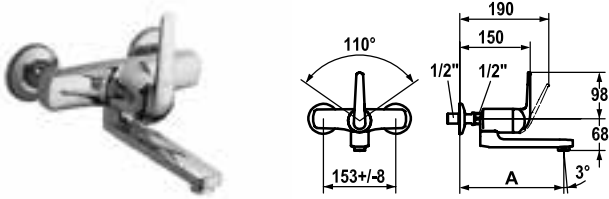
**Lever mixer ■ Kitchen**

Lever mixer

- flexGuard™ - Sealing membrane between lever and cap:
  - protects the inside of the faucet
  - to prevent liquid penetrating from outside
- Lever installation only possible on the right side
  - Child safety: cold water flow in lever position towards the front
- gap between wall and centre of mounting hole min. 25 mm
- Pull-out spray - magnetic tight-fit holder
  - ergonomic spout alignment, shape and handling
  - KWC JETCLEAN technology
  - Neoperl® Cascade®
  - automatic diverter reset
  - up to 600 mm pull-out length
  - hose surface to fit faucet surface
- Hose guide, swivelling 360°
- KWC cartridge L 39 - universal
  - with ceramic discs
  - flow rate and temperature continuously variable
  - temperature and flow rate limitation
- Flexible connection hoses 3/8"
- Fastening by means of threaded sleeve M33 x 1.5
- Mounting hole size ø35 mm

Flow rate normal spray 12 l/min (3 bar)  
 Flow rate needle spray 12 l/min (3 bar)  
 Acoustic group I





Article-No.	KWC-No.
<b>113.0315.781</b>	11.062.002.000
all chrome, AD 153 +/- 8 mm, A 175	
<b>113.0315.782</b>	11.062.003.000
all chrome, AD 153 +/- 8 mm, A 225	

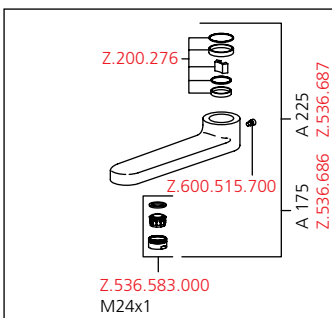
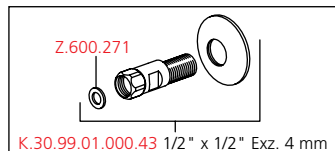
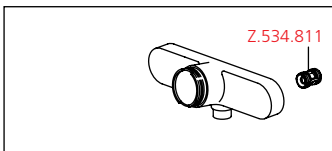
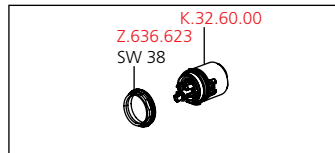
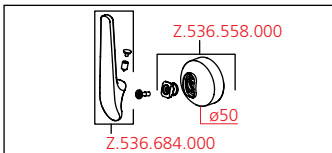
### Lever mixer ■ Kitchen ■ Basin

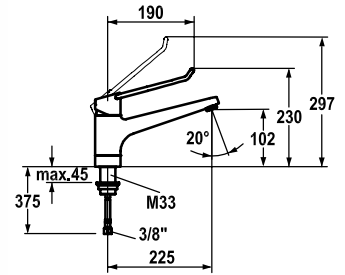
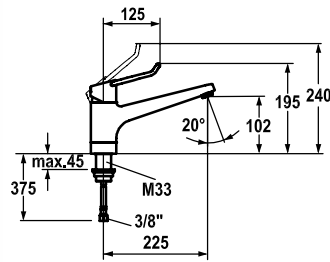
#### Lever mixer

- flexGuard™ - Sealing membrane between lever and cap:
  - protects the inside of the faucet
  - to prevent liquid penetrating from outside
- Swivel spout 90°
  - adjustable with screw
  - Neoperl® Cascade®
- KWC cartridge L 39 - universal
  - with ceramic discs
  - flow rate and temperature continuously variable
  - temperature and flow rate limitation
- Wall connections 1/2" x 1/2", without shut-off valve L 40 eccentric 4 mm

Flow rate 7.5 l/min (3 bar)

Acoustic group I





Article-No.	KWC-No.
<b>115.0315.707</b>	10.291.023.000FL
all chrome, A 225, flexible connection hoses	

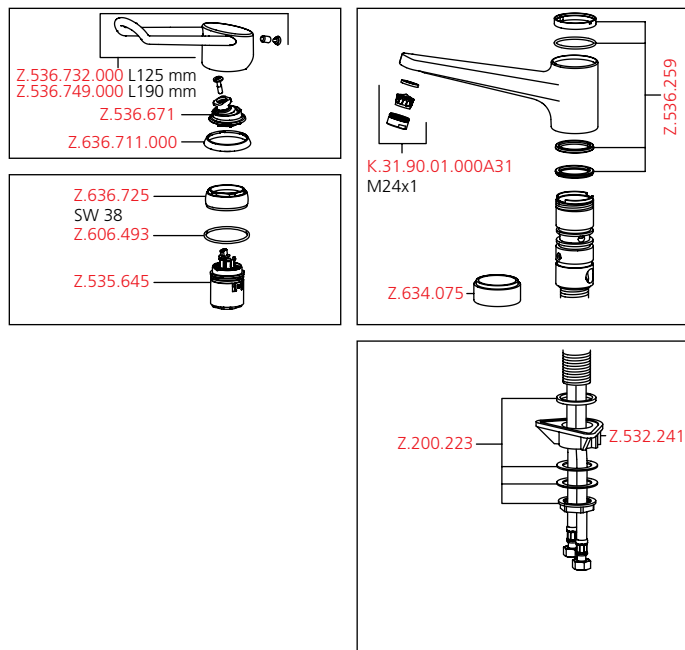
Article-No.	KWC-No.
<b>115.0315.709</b>	10.291.023.000LLFL
all chrome, A 225, flexible connection hoses, with long lever	

**Lever mixer ■ Kitchen**

Lever mixer

- flexGuard™ - Sealing membrane between lever and cap: protects the inside of the faucet – to prevent liquid penetrating from outside
- Operation designed for a secure grip, as well as safe and easy handling
- Ergonomic and robust operating lever, made of polyamide – to adjust the handling even better to suit personal requirements, the offset lever can be installed so that it is twisted into the cap (standard: see illustration)
- Swivel spout 160° – Neoperl® Perlator®
- KWC cartridge with safety device L 39 - universal – with ceramic discs – flow rate and temperature continuously variable – temperature and flow rate limitation
- Flexible connection hoses 3/8"
- Fastening by means of threaded sleeve M33 x 1.5
- Mounting hole size ø35 mm

Flow rate 12 l/min (3 bar)  
Acoustic group I

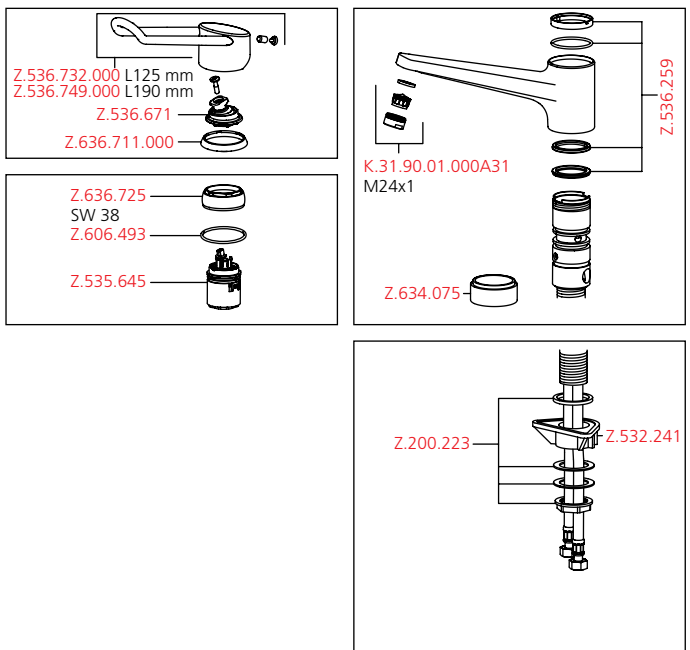


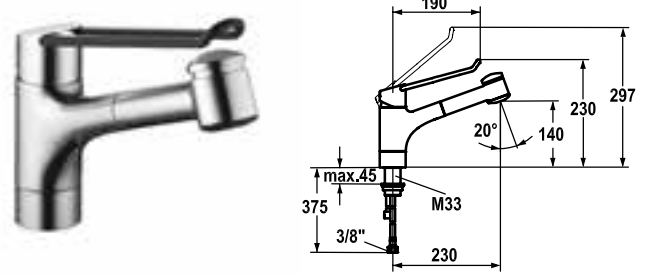
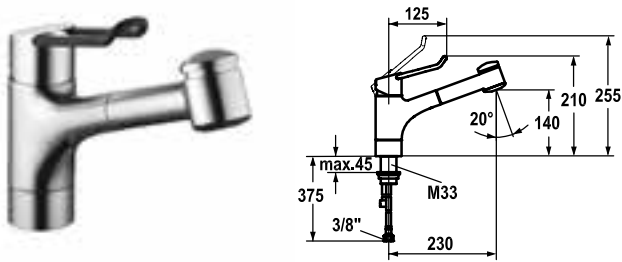
**Lever mixer ■ Kitchen**

Lever mixer

- flexGuard™ - Sealing membrane between lever and cap: protects the inside of the faucet – to prevent liquid penetrating from outside
- Operation designed for a secure grip, as well as safe and easy handling
- Ergonomic and robust operating lever, made of polyamide – to adjust the handling even better to suit personal requirements, the offset lever can be installed so that it is twisted into the cap (standard: see illustration)
- Swivel spout 160° – Neoperl® Perlator®
- KWC cartridge with safety device L 39 - universal – with ceramic discs – flow rate and temperature continuously variable – temperature and flow rate limitation
- Flexible connection hoses 3/8"
- Fastening by means of threaded sleeve M33 x 1.5
- Mounting hole size ø35 mm

Flow rate 12 l/min (3 bar)  
Acoustic group I





Article-No.	KWC-No.
<b>115.0315.706</b>	10.291.033.000FL
all chrome, A 230, flexible connection hoses	

Article-No.	KWC-No.
<b>115.0315.708</b>	10.291.033.000LLFL
all chrome, A 230, flexible connection hoses, with long lever	

**Lever mixer ■ Kitchen**

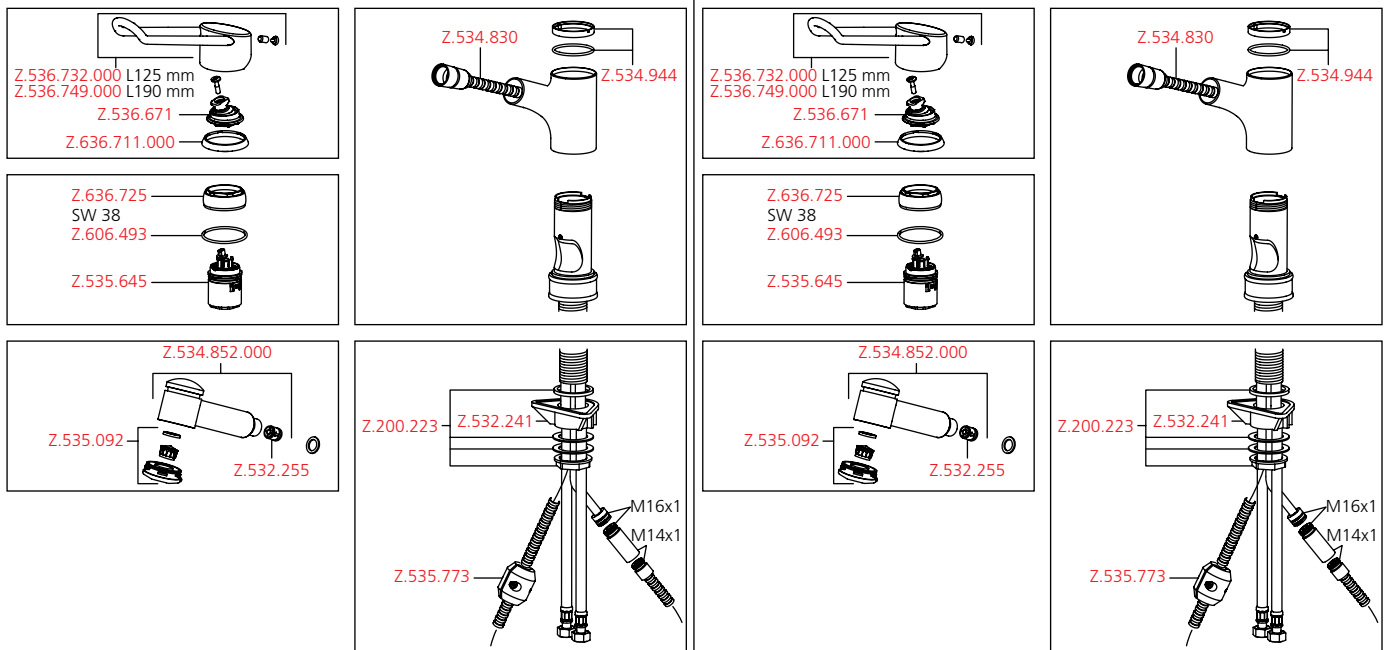
- Lever mixer
- flexGuard™ - Sealing membrane between lever and cap:
    - protects the inside of the faucet
    - to prevent liquid penetrating from outside
  - Operation designed for a secure grip, as well as safe and easy handling
  - Ergonomic and robust operating lever, made of polyamide
    - to adjust the handling even better to suit personal requirements, the offset lever can be installed so that it is twisted into the cap (standard: see illustration)
  - Pull-out spray with KWC JETCLEAN
    - up to 700 mm pull-out length
    - with lockable needle spray
    - automatic diverter reset
    - hose surface to fit faucet surface
  - Hose guide, swivelling 130°
  - KWC cartridge with safety device L 39 - universal
    - with ceramic discs
    - flow rate and temperature continuously variable
    - temperature and flow rate limitation
  - Flexible connection hoses 3/8"
  - Fastening by means of threaded sleeve M33 x 1.5
  - Mounting hole size ø35 mm

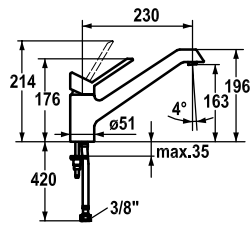
Flow rate normal spray 12 l/min (3 bar)  
 Flow rate needle spray 12 l/min (3 bar)  
 Acoustic group I

**Lever mixer ■ Kitchen**

- Lever mixer
- flexGuard™ - Sealing membrane between lever and cap:
    - protects the inside of the faucet
    - to prevent liquid penetrating from outside
  - Operation designed for a secure grip, as well as safe and easy handling
  - Ergonomic and robust operating lever, made of polyamide
    - to adjust the handling even better to suit personal requirements, the offset lever can be installed so that it is twisted into the cap (standard: see illustration)
  - Pull-out spray with KWC JETCLEAN
    - up to 700 mm pull-out length
    - with lockable needle spray
    - automatic diverter reset
    - hose surface to fit faucet surface
  - Hose guide, swivelling 130°
  - KWC cartridge with safety device L 39 - universal
    - with ceramic discs
    - flow rate and temperature continuously variable
    - temperature and flow rate limitation
  - Flexible connection hoses 3/8"
  - Fastening by means of threaded sleeve M33 x 1.5
  - Mounting hole size ø35 mm

Flow rate normal spray 12 l/min (3 bar)  
 Flow rate needle spray 12 l/min (3 bar)  
 Acoustic group I



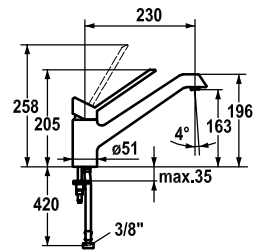
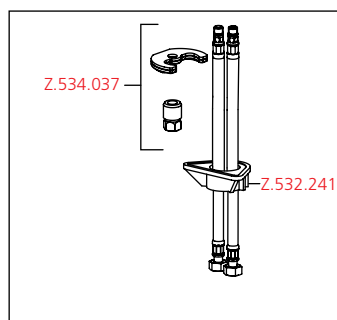
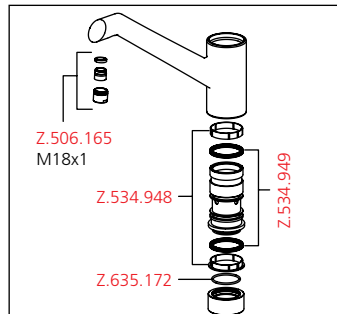
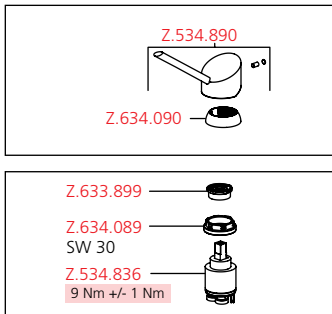


**Article-No.** 115.0315.641  
**KWC-No.** 10.021.023.000FL  
 all chrome, A 230, flexible connection hoses

**Lever mixer ■ Kitchen**

- Lever mixer
- Swivel spout 360°
    - Neoperl® Perlator®
  - KWC cartridge M 35
    - with ceramic discs
    - flow rate and temperature continuously variable
    - temperature limitation
  - Flexible connection hoses 3/8"
  - Fastening by means of stud bolt M8 x 1
  - Mounting hole size ø35 mm

Flow rate 6 l/min (3 bar)  
 Acoustic group I

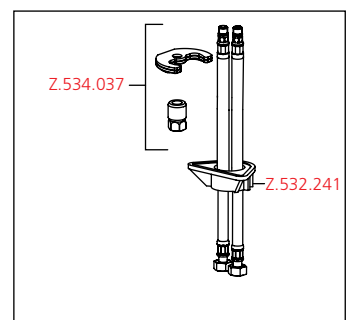
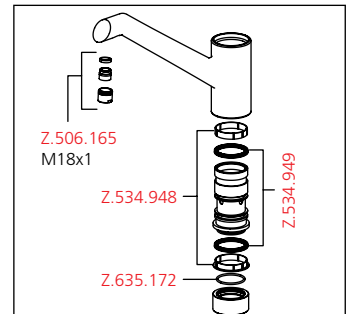
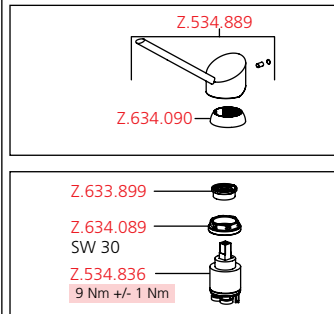


**Article-No.** 115.0315.642  
**KWC-No.** 10.021.023.000LLFL  
 all chrome, A 230, flexible connection hoses, with long lever

**Lever mixer ■ Kitchen**

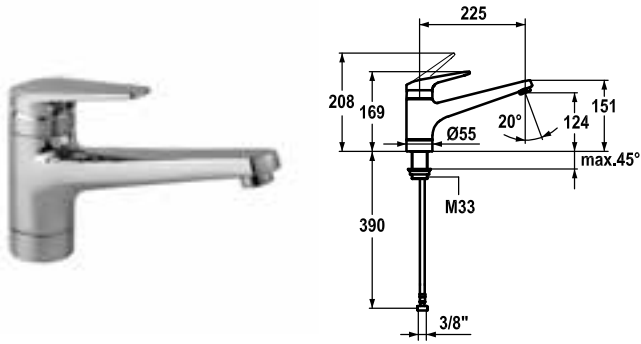
- Lever mixer
- Swivel spout 360°
    - Neoperl® Perlator®
  - KWC cartridge M 35
    - with ceramic discs
    - flow rate and temperature continuously variable
    - temperature limitation
  - Flexible connection hoses 3/8"
  - Fastening by means of stud bolt M8 x 1
  - Mounting hole size ø35 mm

Flow rate 6 l/min (3 bar)  
 Acoustic group I









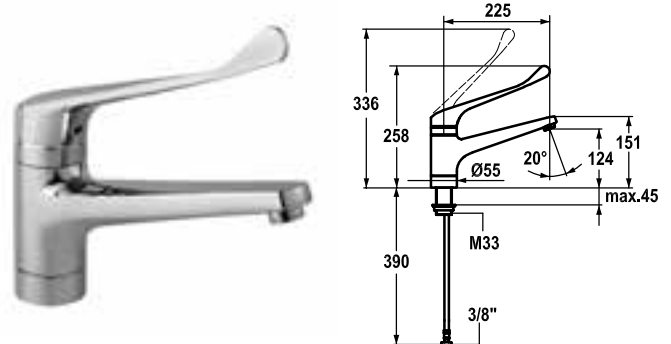
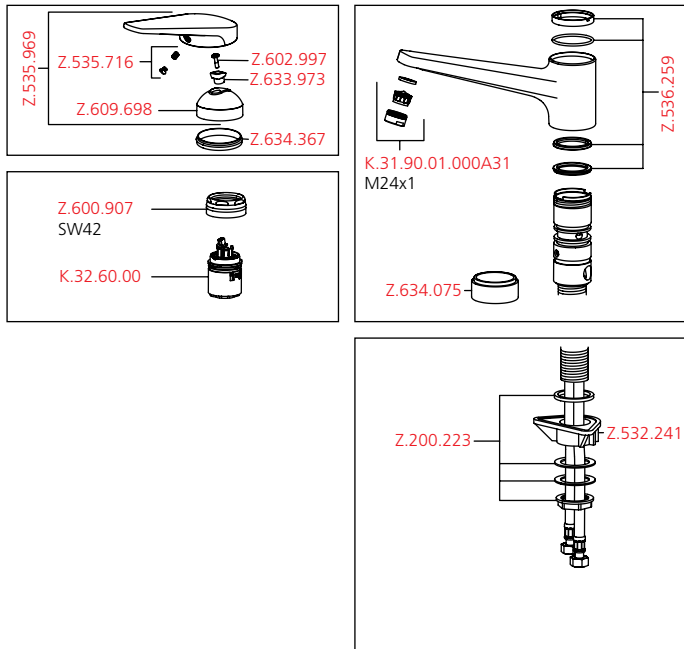
Article-No.	KWC-No.
<b>115.0043.798</b>	10.071.023.000FL
all chrome, A 225, flexible connection hoses	

**Lever mixer ■ Kitchen**

Lever mixer

- Swivel spout 160°
  - Neoperl® Cascade®
- KWC cartridge L 39 - universal
  - with ceramic discs
  - flow rate and temperature continuously variable
  - temperature and flow rate limitation
- Flexible connection hoses 3/8"
- Fastening by means of threaded sleeve M33 x 1.5
- Mounting hole size ø35 mm

Flow rate 12 l/min (3 bar)  
Acoustic group I



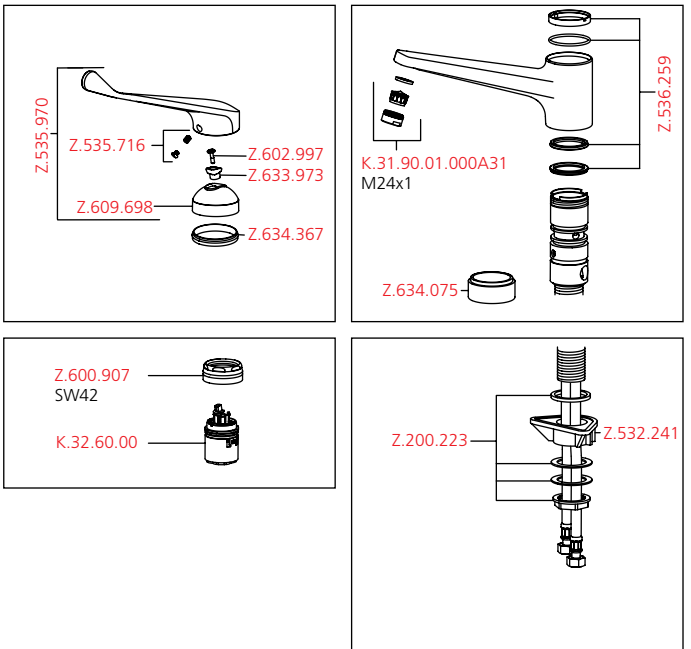
Article-No.	KWC-No.
<b>115.0315.702</b>	10.071.023.000LLFL
all chrome, A 225, flexible connection hoses, with long lever	

**Lever mixer ■ Kitchen**

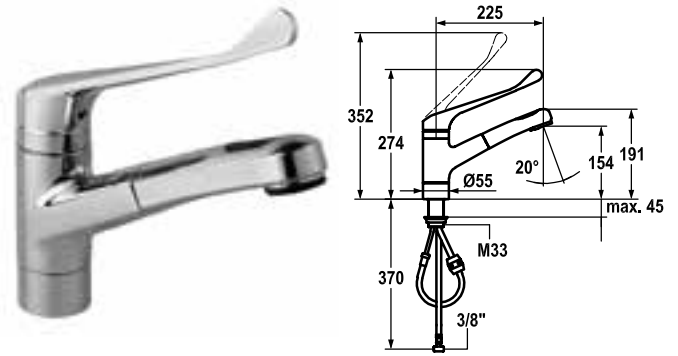
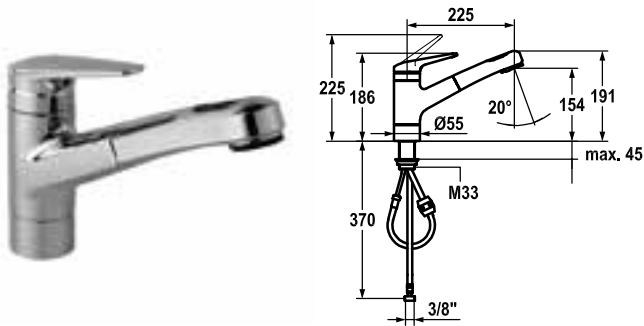
Lever mixer

- Swivel spout 160°
  - Neoperl® Cascade®
- KWC cartridge L 39 - universal
  - with ceramic discs
  - flow rate and temperature continuously variable
  - temperature and flow rate limitation
- Flexible connection hoses 3/8"
- Fastening by means of threaded sleeve M33 x 1.5
- Mounting hole size ø35 mm

Flow rate 12 l/min (3 bar)  
Acoustic group I







Article-No.	KWC-No.
<b>115.0043.799</b>	10.071.033.000FL
all chrome, A 225, flexible connection hoses	

Article-No.	KWC-No.
<b>115.0315.701</b>	10.071.033.000LLFL
all chrome, A 225, flexible connection hoses, with long lever	

**Lever mixer ■ Kitchen**

Lever mixer

- Pull-out spray
  - up to 700 mm pull-out length
  - with lockable needle spray
  - automatic diverter reset
  - hose surface to fit faucet surface
- Hose guide, swivelling 130°
- KWC cartridge L 39 - universal
  - with ceramic discs
  - flow rate and temperature continuously variable
  - temperature and flow rate limitation
- Flexible connection hoses 3/8"
- Fastening by means of threaded sleeve M33 x 1.5
- Mounting hole size ø35 mm

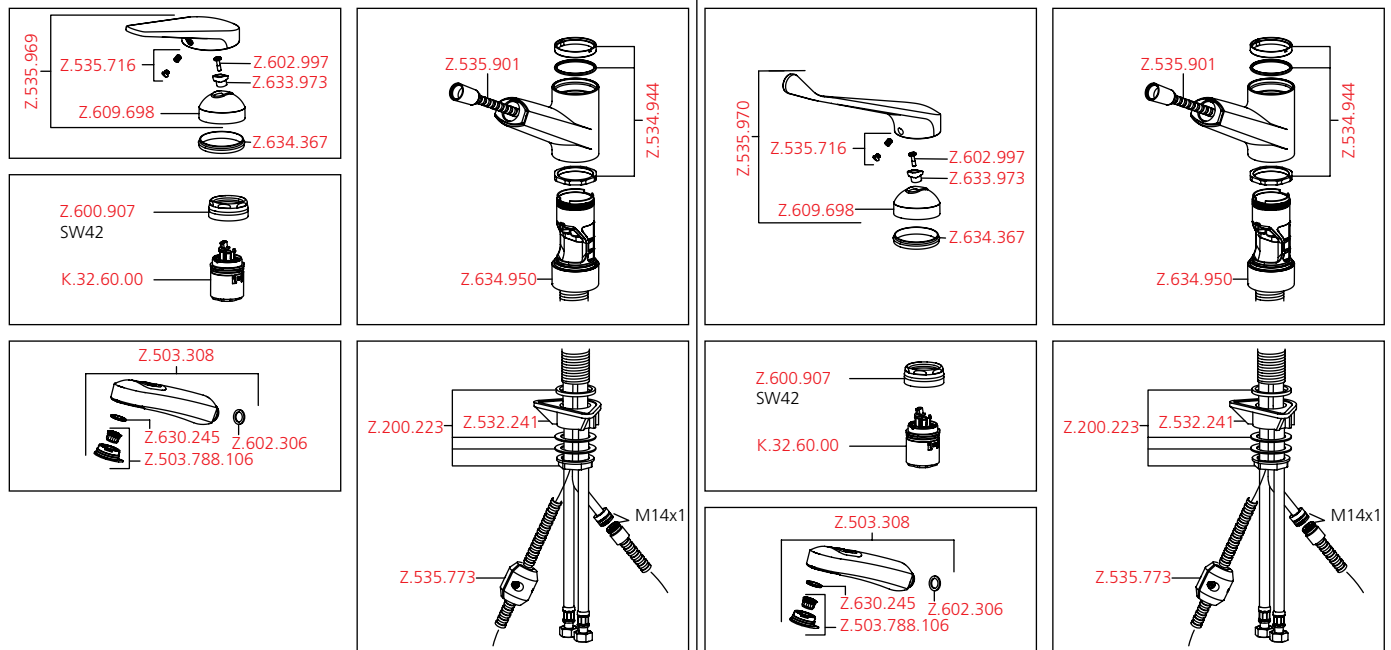
**Lever mixer ■ Kitchen**

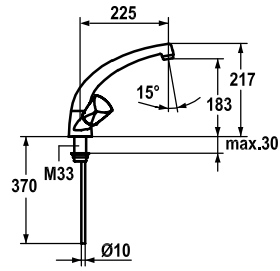
Lever mixer

- Pull-out spray
  - up to 700 mm pull-out length
  - with lockable needle spray
  - automatic diverter reset
  - hose surface to fit faucet surface
- Hose guide, swivelling 130°
- KWC cartridge L 39 - universal
  - with ceramic discs
  - flow rate and temperature continuously variable
  - temperature and flow rate limitation
- Flexible connection hoses 3/8"
- Fastening by means of threaded sleeve M33 x 1.5
- Mounting hole size ø35 mm

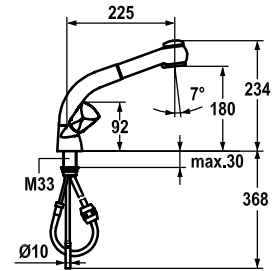
Flow rate normal spray 12 l/min (3 bar)  
 Flow rate needle spray 13 l/min (3 bar)  
 Acoustic group I

Flow rate normal spray 12 l/min (3 bar)  
 Flow rate needle spray 13 l/min (3 bar)  
 Acoustic group I





Article-No.	KWC-No.
<b>115.0315.666</b>	K.10.41.23.000A02
all chrome, A 225, copper tubes	



Article-No.	KWC-No.
<b>115.0315.667</b>	K.10.41.03.000A03
all chrome, A 225, copper tubes	

**Two-handle mixer ■ Kitchen**

Two-handle mixer

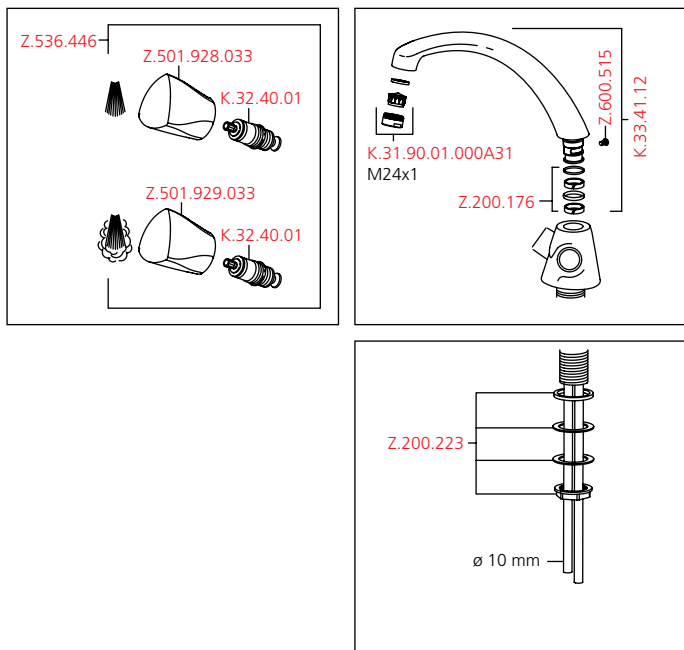
- Plastic handles, removable
- Swivel spout 160°
  - Neoperl® Cascade®
- Flat valves M20 x 1.25
  - stainless steel valve seat
- Copper tubes ø10 mm
- Fastening by means of threaded sleeve M33 x 1.5
- Mounting hole size ø35 mm

**Two-handle mixer ■ Kitchen**

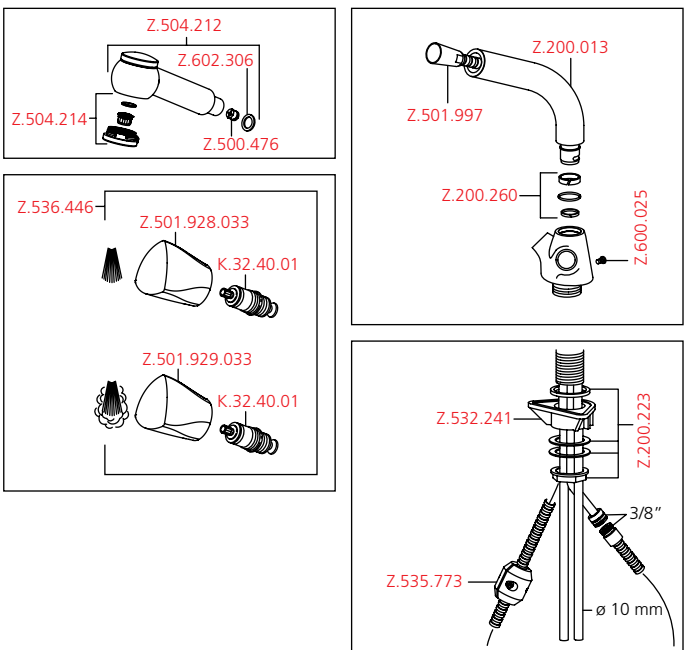
Two-handle mixer

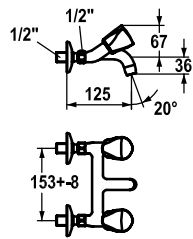
- Detachable for installation below windows - detached 88 mm
- Plastic handles, removable
- Pull-out spray
  - up to 700 mm pull-out length
  - with lockable needle spray
  - automatic diverter reset
  - hose surface to fit faucet surface
- Hose guide, swivelling 160°
- Flat valves M20 x 1.25
  - stainless steel valve seat
- Copper tubes ø10 mm
- Fastening by means of threaded sleeve M33 x 1.5
- Mounting hole size ø35 mm

Flow rate 12 l/min (3 bar)  
Acoustic group I



Flow rate normal spray 12 l/min (3 bar)  
Flow rate needle spray 13 l/min (3 bar)  
Acoustic group I





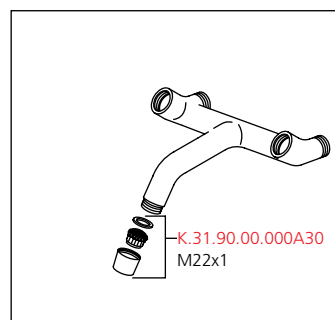
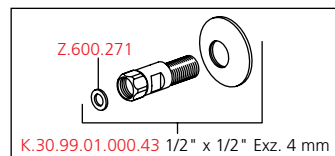
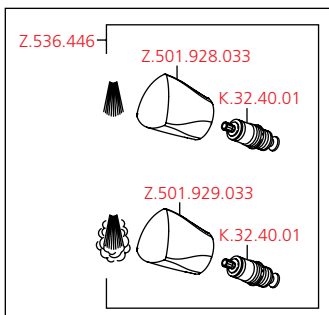
Article-No.	KWC-No.
<b>113.0315.688</b>	K.11.42.42.000A76
all chrome, AD 153 +/- 8 mm, A 125	

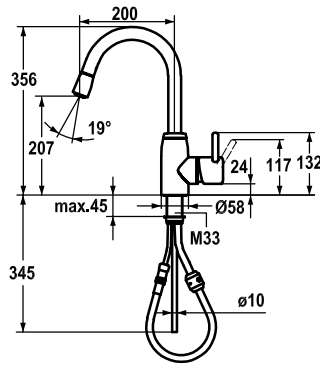
### Two-handle mixer ■ Kitchen ■ Basin

#### Two-handle mixer

- Plastic handles, removable
- Fixed spout
  - Neoperl® Cascade®
- Flat valves M20 x 1.25
  - stainless steel valve seat
- Wall connections 1/2" x 1/2", without shut-off valve L 40 eccentric 4 mm

Flow rate 12 l/min (3 bar)  
Acoustic group I



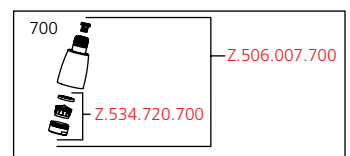
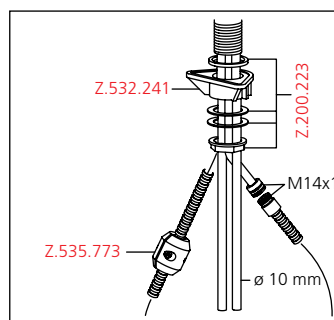
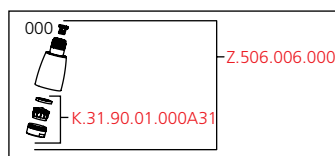
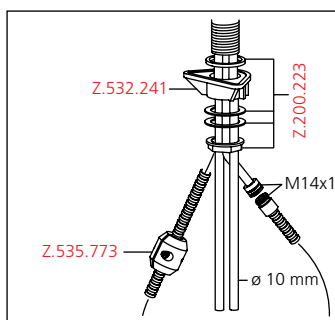
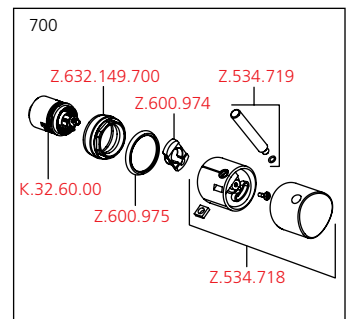
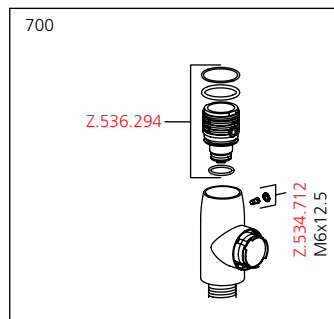
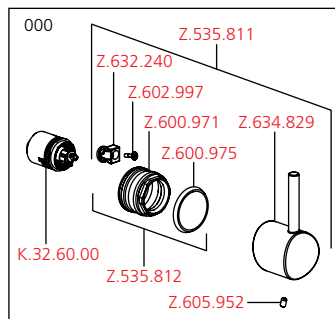
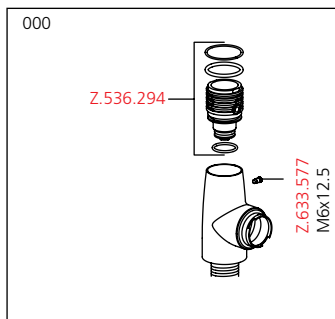
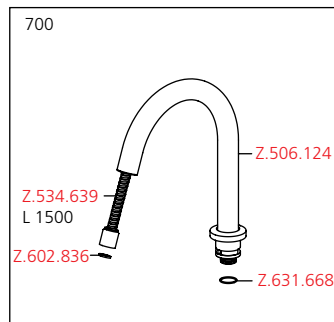
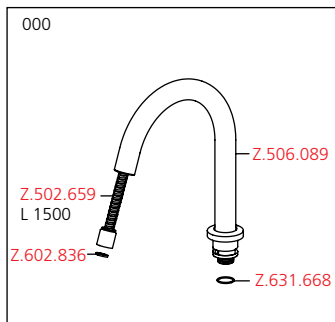


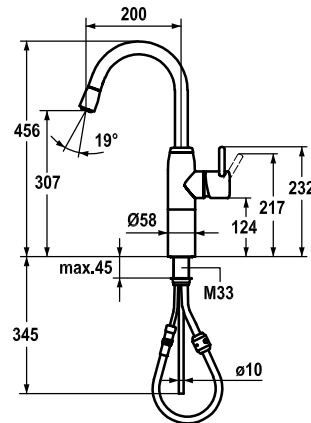
Article-No.	KWC-No.
<b>115.0315.677</b>	10.501.042.000
all chrome, A 200, copper tubes	
<b>115.0315.678</b>	10.501.042.700
stainless steel, A 200, copper tubes	

**Lever mixer ■ Kitchen**

- Lever mixer
- Lever installation only possible on the right side
  - Pull-out aerator
    - Neoperl® Cascade®
    - up to 600 mm pull-out length
    - hose surface to fit faucet surface
  - Hose guide, swivelling 140°
  - KWC cartridge L 39 - universal
    - with ceramic discs
    - flow rate and temperature continuously variable
    - temperature and flow rate limitation
  - Copper tubes ø10 mm
  - Fastening by means of threaded sleeve M33 x 1.5
  - Mounting hole size ø35 mm

Flow rate 12 l/min (3 bar)  
Acoustic group I



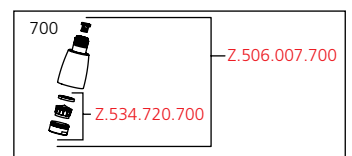
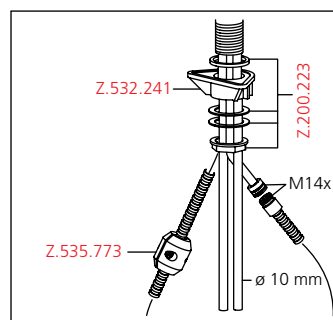
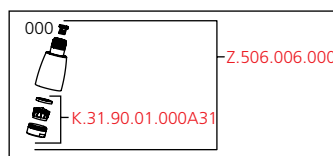
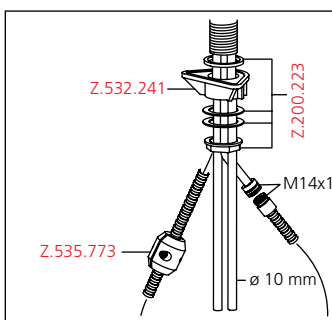
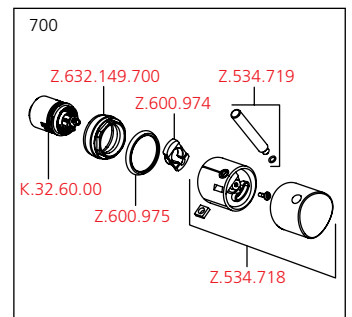
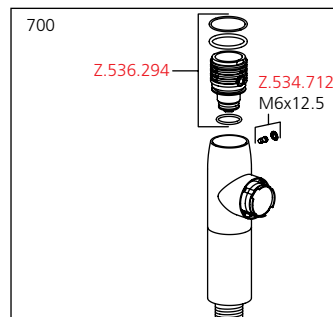
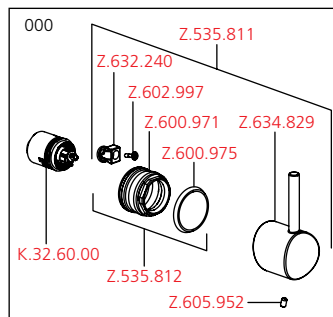
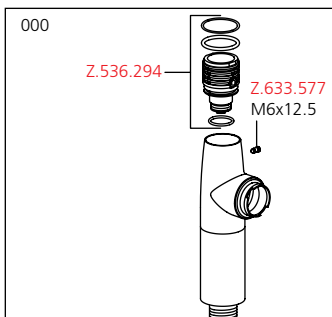
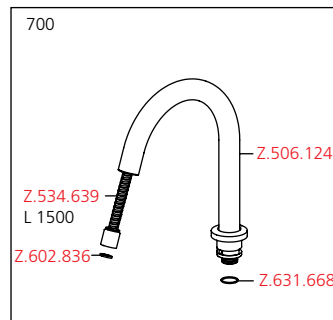
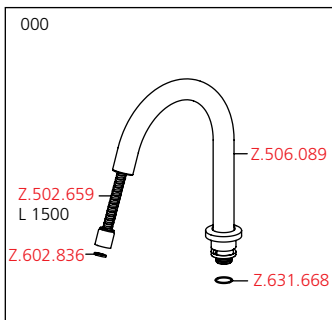


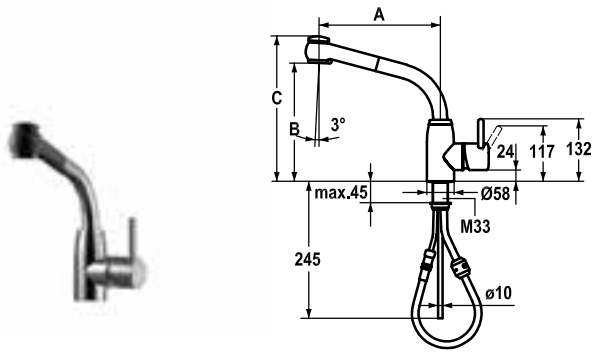
Article-No.	KWC-No.
<b>115.0315.679</b>	10.501.102.000
all chrome, A 200, copper tubes	
<b>115.0315.680</b>	10.501.102.700
stainless steel, A 200, copper tubes	

**Lever mixer ■ Kitchen**

- Lever mixer
- Socket 100 mm
  - Lever installation only possible on the right side
  - Pull-out aerator
    - Neoperl® Cascade®
    - up to 600 mm pull-out length
    - hose surface to fit faucet surface
  - Hose guide, swivelling 140°
  - KWC cartridge L 39 - universal
    - with ceramic discs
    - flow rate and temperature continuously variable
    - temperature and flow rate limitation
  - Copper tubes ø10 mm
  - Fastening by means of threaded sleeve M33 x 1.5
  - Mounting hole size ø35 mm

Flow rate 12 l/min (3 bar)  
Acoustic group I





Article-No.	KWC-No.
<b>115.0315.686</b>	10.501.003.736
stainless steel/matte black, A 215, B 239, C 295, copper tubes	
<b>115.0315.684</b>	10.501.004.736
stainless steel/matte black, A 260, B 251, C 309, copper tubes	

**Lever mixer ■ Kitchen**

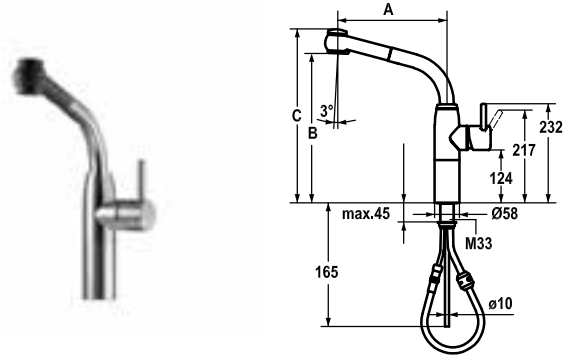
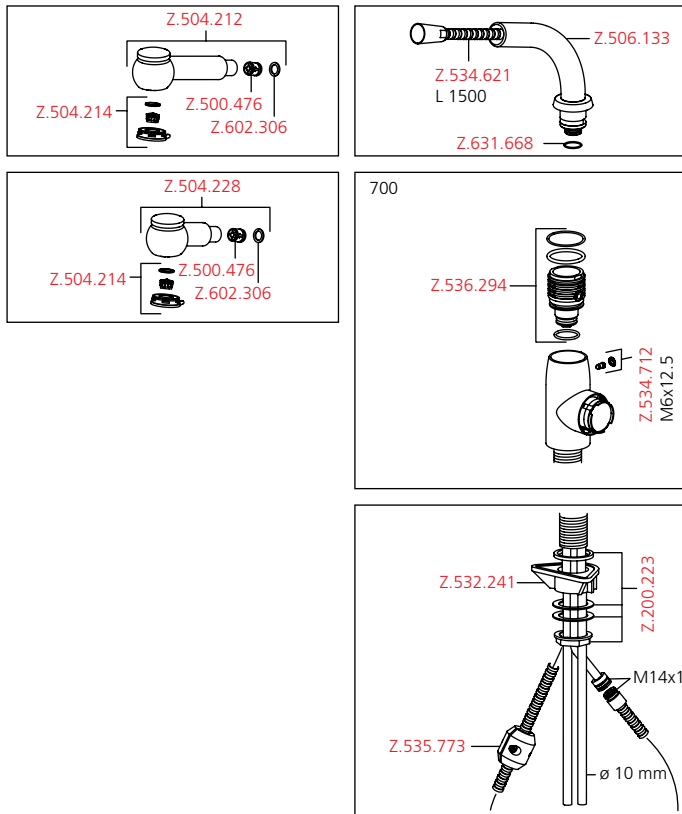
Lever mixer

- Lever installation only possible on the right side
- Pull-out spray
  - up to 700 mm pull-out length
  - with lockable needle spray
  - automatic diverter reset
  - hose surface to fit faucet surface
- Hose guide, swivelling 140°
- KWC cartridge L 39 - universal
  - with ceramic discs
  - flow rate and temperature continuously variable
  - temperature and flow rate limitation
- Copper tubes ø10 mm
- Fastening by means of threaded sleeve M33 x 1.5
- Mounting hole size ø35 mm

Flow rate normal spray 12 l/min (3 bar)

Flow rate needle spray 13 l/min (3 bar)

Acoustic group I



Article-No.	KWC-No.
<b>115.0315.687</b>	10.501.163.736
stainless steel/matte black, A 215, B 339, C 395, copper tubes	
<b>115.0315.685</b>	10.501.164.736
stainless steel/matte black, A 260, B 351, C 408, copper tubes	

**Lever mixer ■ Kitchen**

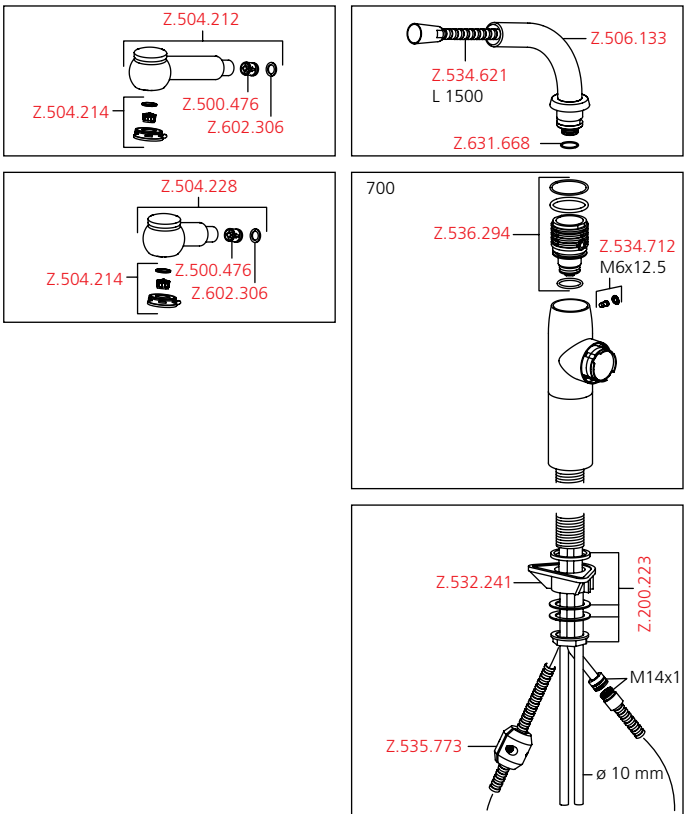
Lever mixer

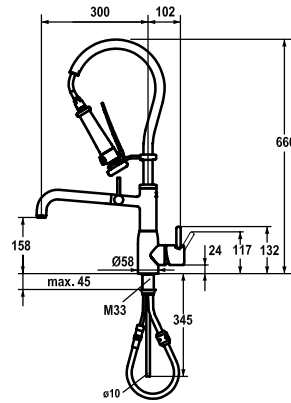
- Socket 100 mm
- Lever installation only possible on the right side
- Pull-out spray
  - up to 700 mm pull-out length
  - with lockable needle spray
  - automatic diverter reset
  - hose surface to fit faucet surface
- Hose guide, swivelling 140°
- KWC cartridge L 39 - universal
  - with ceramic discs
  - flow rate and temperature continuously variable
  - temperature and flow rate limitation
- Copper tubes ø10 mm
- Fastening by means of threaded sleeve M33 x 1.5
- Mounting hole size ø35 mm

Flow rate normal spray 12 l/min (3 bar)

Flow rate needle spray 12 l/min (3 bar)

Acoustic group I





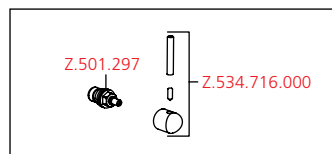
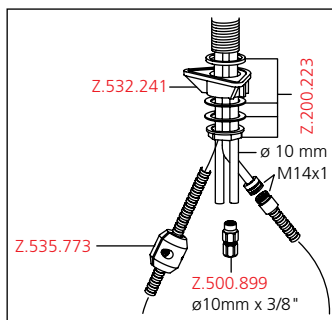
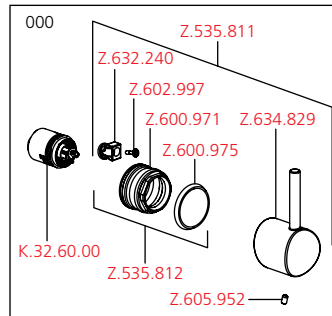
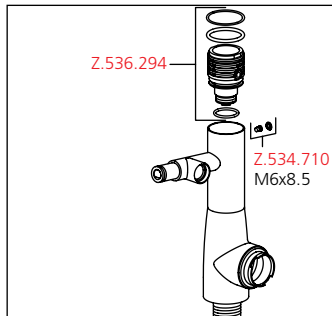
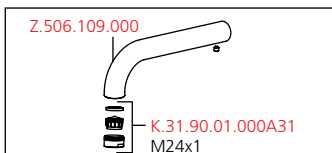
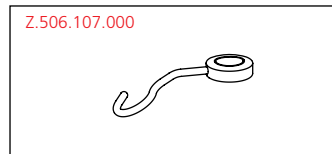
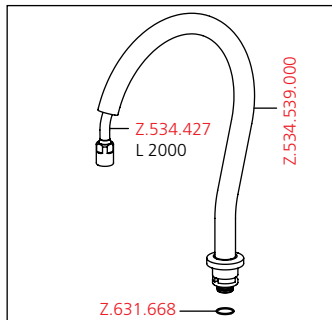
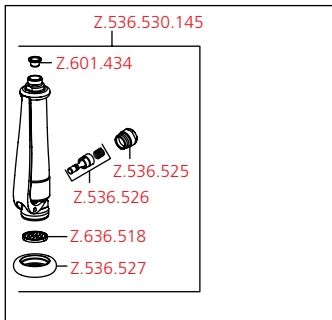
Article-No.	KWC-No.
<b>115.0315.681</b>	10.501.134.000
all chrome, A 300, copper tubes	

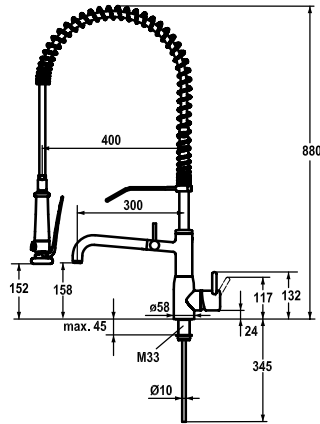
**Lever mixer ■ Kitchen**

Lever mixer

- Lever installation only possible on the right side
- Hose guide, swivelling 160°
- Swivel spout 160°
  - Neoperl® Cascade®
- Pull-out Pre-rinse spray
  - with integrated delayed closing device to minimize water hammer
  - with valve maintenance unit for cleaning
  - up to 600 mm pull-out length
- KWC cartridge L 39 - universal
  - with ceramic discs
  - flow rate and temperature continuously variable
  - temperature and flow rate limitation
- Copper tubes ø10 mm
- Fastening by means of threaded sleeve M33 x 1.5
- Mounting hole size ø35 mm

Flow rate 12 l/min (3 bar)  
 Acoustic group I  
 Spray outlet: Flow rate 15 l/min (3 bar)





Article-No.	KWC-No.
<b>115.0315.683</b>	10.501.154.000
all chrome, A 300, copper tubes, with wall flange	
<b>115.0315.682</b>	10.501.144.000
all chrome, A 300, copper tubes, without wall flange	

**Lever mixer ■ Kitchen**

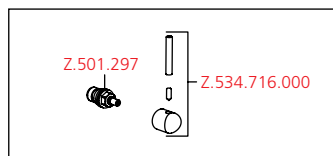
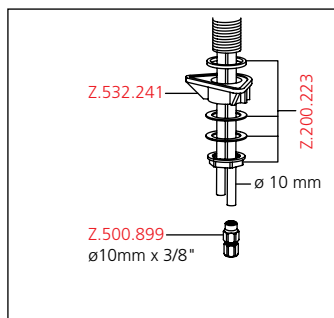
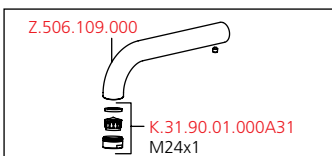
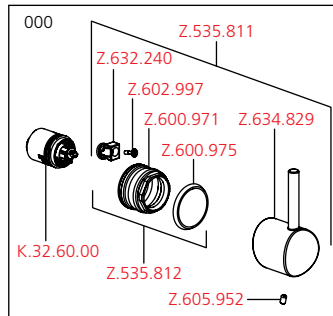
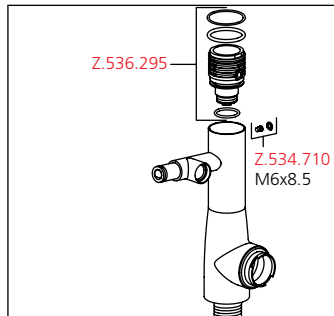
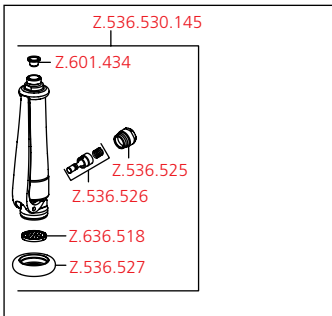
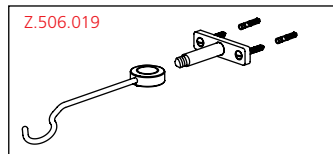
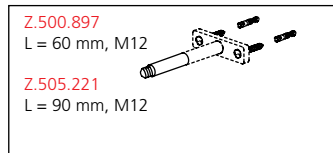
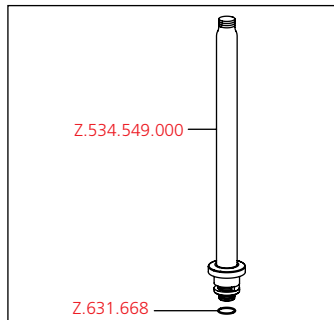
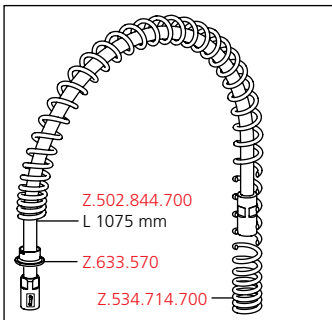
**Lever mixer**

- Suspension spring
- Lever installation only possible on the right side
- Swivel spout 180°
  - Neoperl® Cascade®
- Pre-rinse spray
  - with integrated delayed closing device to minimize water hammer
  - with valve maintenance unit for cleaning
- KWC cartridge L 39 - universal
  - with ceramic discs
  - flow rate and temperature continuously variable
  - temperature and flow rate limitation
- Copper tubes Ø10 mm
- Fastening by means of threaded sleeve M33 x 1.5
- Mounting hole size Ø35 mm

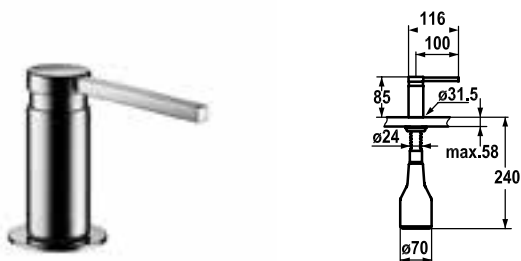
Flow rate 12 l/min (3 bar)

Acoustic group I

Spray outlet: Flow rate 15 l/min (3 bar)







Article-No.	KWC-No.
<b>119.0200.126</b>	Z.536.159.000
all chrome	
<b>119.0308.347</b>	Z.536.159.127
decor steel	

**Soap dispenser KWC AVA**

- Easily refillable from surface without disassembly
- Mounting hole size  $\varnothing 26$  mm
- Scope of delivery:
  - Pump
  - Soap container, filling capacity 300 ml



Article-No.	KWC-No.
<b>119.0307.870</b>	Z.536.063.000
all chrome	
<b>119.0307.901</b>	Z.536.063.700
stainless steel	

**Soap dispenser KWC EVE**

- Easily refillable from surface without disassembly
- Mounting hole size  $\varnothing 26$  mm
- Scope of delivery:
  - Pump
  - Soap container, filling capacity 300 ml



Article-No.	KWC-No.
<b>119.0308.348</b>	Z.536.063.150
glacier white	

**Soap dispenser KWC EVE**

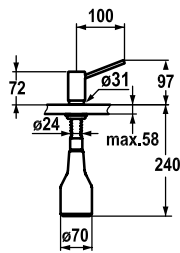
- Easily refillable from surface without disassembly
- Mounting hole size  $\varnothing 26$  mm
- Scope of delivery:
  - Pump
  - Soap container, filling capacity 300 ml



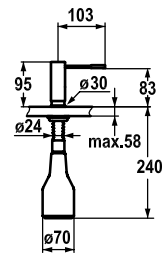
Article-No.	KWC-No.
<b>119.0308.349</b>	Z.536.063.151
black chrome-plated	

**Soap dispenser KWC EVE**

- Easily refillable from surface without disassembly
- Mounting hole size  $\varnothing 26$  mm
- Scope of delivery:
  - Pump
  - Soap container, filling capacity 300 ml



Article-No.	KWC-No.
<b>119.0310.326</b>	Z.536.062.700
stainless steel	



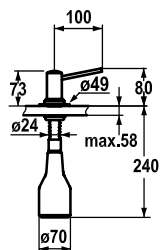
Article-No.	KWC-No.
<b>119.0307.908</b>	Z.536.060.000
all chrome	
<b>119.0308.343</b>	Z.536.060.700
stainless steel	

### Soap dispenser KWC INOX

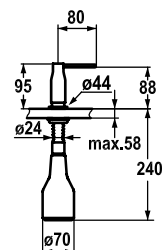
- Easily refillable from surface without disassembly
- Mounting hole size  $\varnothing 26$  mm
- Scope of delivery:
  - Pump
  - Soap container, filling capacity 300 ml

### Soap dispenser KWC ONO

- Easily refillable from surface without disassembly
- Mounting hole size  $\varnothing 26$  mm
- Scope of delivery:
  - Pump
  - Soap container, filling capacity 300 ml



Article-No.	KWC-No.
<b>119.0307.927</b>	Z.536.109.000
all chrome	



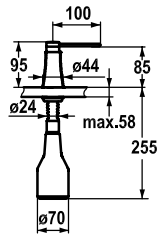
Article-No.	KWC-No.
<b>119.0308.350</b>	Z.536.332.000
all chrome	

### Soap dispenser KWC PRIMO

- Easily refillable from surface without disassembly
- Mounting hole size  $\varnothing 26$  mm
- Scope of delivery:
  - Pump
  - Soap container, filling capacity 300 ml

### Soap dispenser KWC SIN

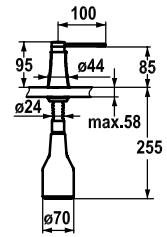
- Easily refillable from surface without disassembly
- Mounting hole size  $\varnothing 26$  mm
- Scope of delivery:
  - Pump
  - Soap container, filling capacity 300 ml



Article-No.	KWC-No.
<b>119.0308.341</b>	Z.536.586.000
all chrome	
<b>119.0308.352</b>	Z.536.586.127
decor steel	

**Soap dispenser KWC ZOE**

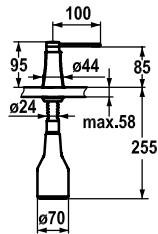
- Easily refillable from surface without disassembly
- Mounting hole size  $\varnothing 26$  mm
- Scope of delivery:
  - Pump
  - Soap container, filling capacity 300 ml



Article-No.	KWC-No.
<b>119.0340.000</b>	Z.536.586.106
black	

**Soap dispenser KWC ZOE**

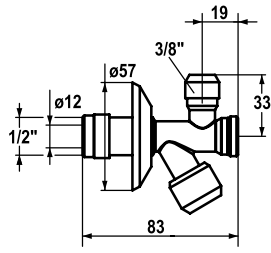
- Easily refillable from surface without disassembly
- Mounting hole size  $\varnothing 26$  mm
- Scope of delivery:
  - Pump
  - Soap container, filling capacity 300 ml



Article-No.	KWC-No.
<b>119.0340.011</b>	Z.536.586.150
glacier white	

**Soap dispenser KWC ZOE**

- Easily refillable from surface without disassembly
- Mounting hole size  $\varnothing 26$  mm
- Scope of delivery:
  - Pump
  - Soap container, filling capacity 300 ml



Article-No.	KWC-No.
<b>112.0315.872</b>	Z.536.576.000
all chrome	

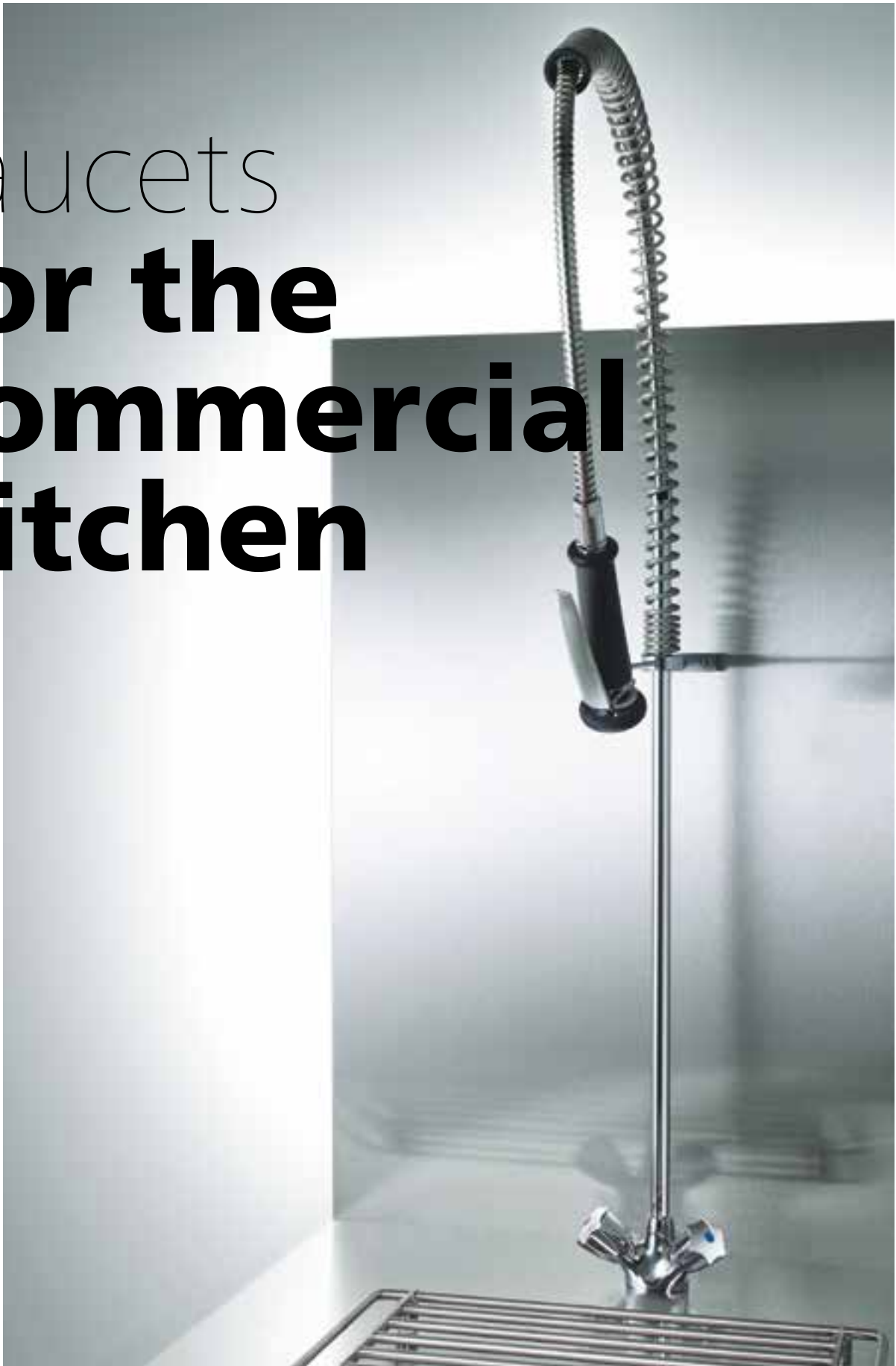
#### Shut-off valve with filter

- Connecting thread 1/2"
- Compression fitting length compensation for copper tube





# Faucets **for the commercial kitchen**



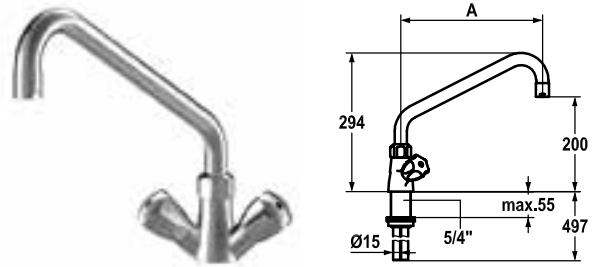
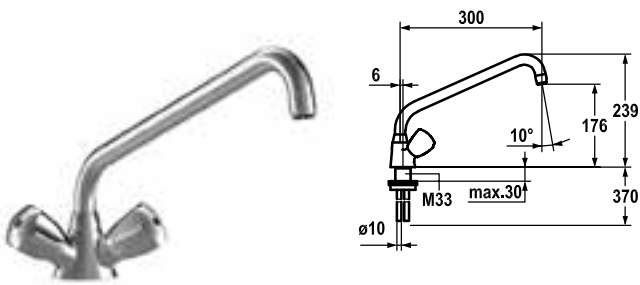
**Faucets for the commercial kitchen**

---

KWC GASTRO

100





Article-No.	KWC-No.
<b>115.0315.633</b>	K.24.41.24.000C02
all chrome, A 300	

Article-No.	KWC-No.
<b>115.0315.624</b>	K.24.41.04.000C07
all chrome, A 300	
<b>115.0315.625</b>	K.24.41.06.000C07
all chrome, A 450	

**Two-handle mixer ■ Commercial kitchen**

Two-handle mixer

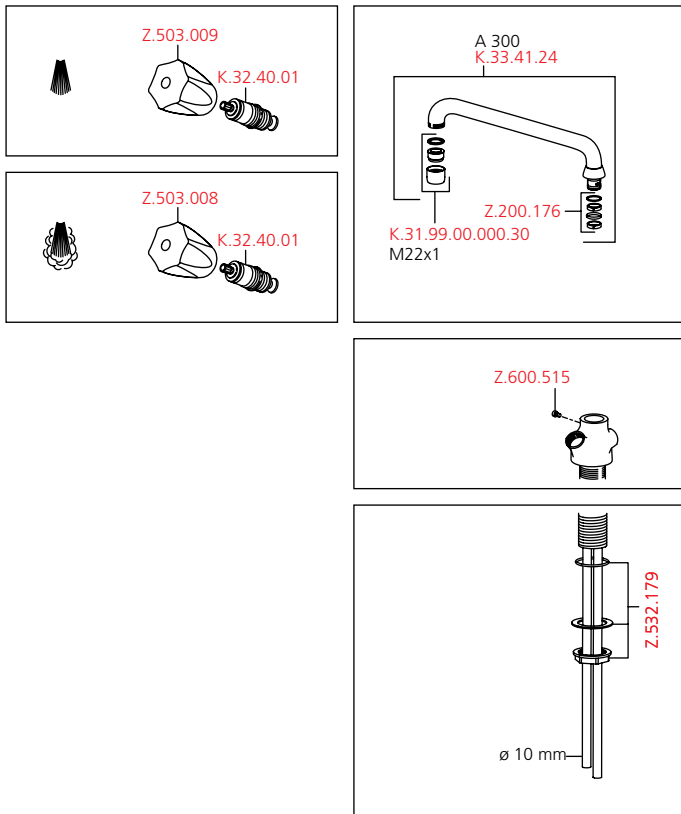
- KWC CORONA metal handles, removable
- Swivel spout 160°
  - Jet regulator
- Flat valves M20 x 1.25
  - stainless steel valve seat
- Copper tubes ø10 mm
- Fastening by means of threaded sleeve M33 x 1.5
- Mounting hole size ø35 mm

**Two-handle mixer ■ Commercial kitchen**

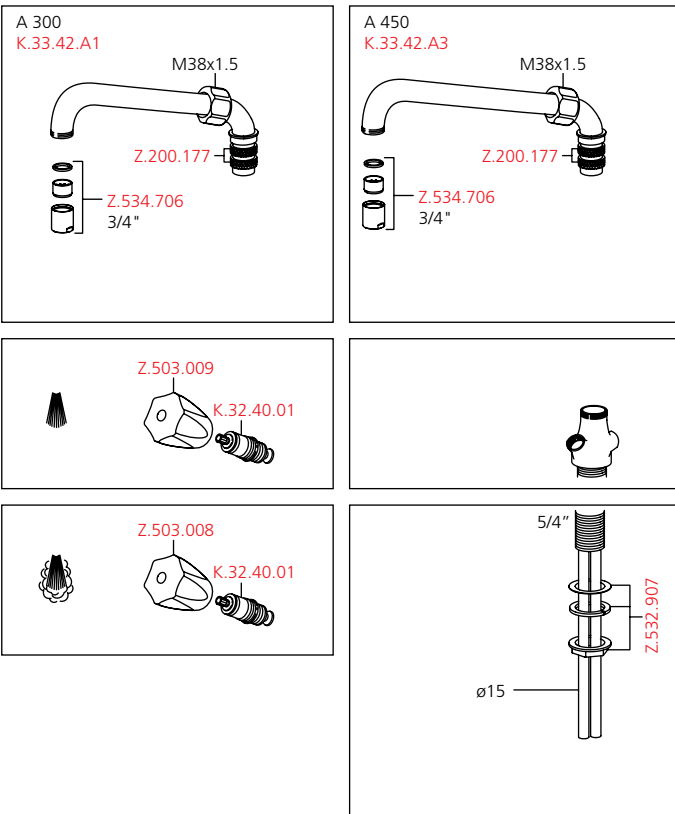
Two-handle mixer

- KWC CORONA metal handles, removable
- Swivel spout 360°
  - with adjustable gland
  - Jet regulator
- Flat valves M20 x 1.25
  - stainless steel valve seat
- Copper tubes ø15 mm
- Fastening by means of threaded sleeve 1 ¼"
- Mounting hole size ø42 mm

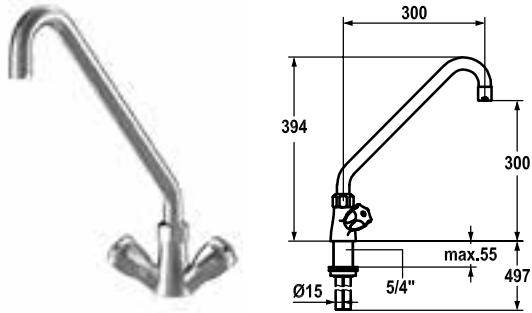
Flow rate 60 l/min (3 bar)  
Acoustic group U



Flow rate 108 l/min (3 bar)  
Acoustic group U





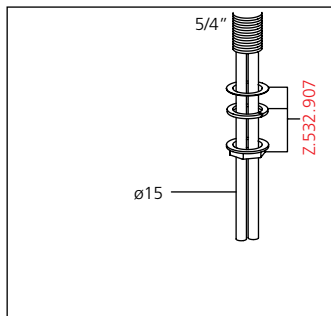
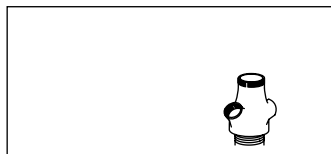
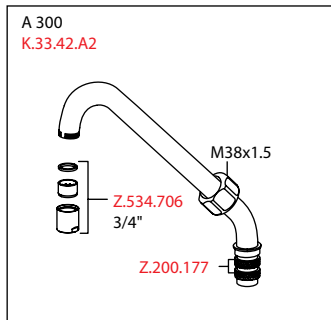
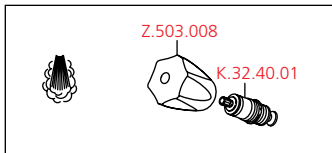
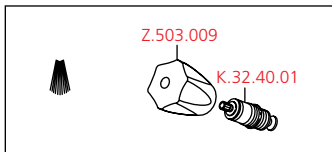


**Article-No.** KWC-No.  
**115.0315.665** K.24.41.A2.000C07  
 all chrome, A 300, B 300, C 394

**Two-handle mixer ■ Commercial kitchen**

- Two-handle mixer
- KWC CORONA metal handles, removable
  - Swivel spout 360°
    - with adjustable gland
    - Jet regulator
  - Flat valves M20 x 1.25
    - stainless steel valve seat
  - Copper tubes ø15 mm
  - Fastening by means of threaded sleeve 1 ¼"
  - Mounting hole size ø42 mm

Flow rate 108 l/min (3 bar)  
 Acoustic group U

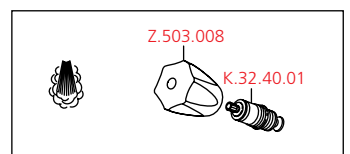
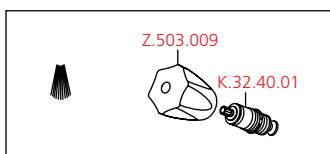
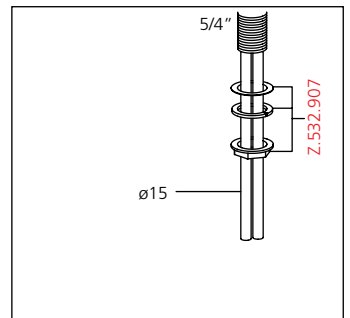
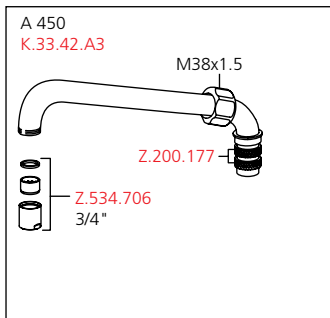
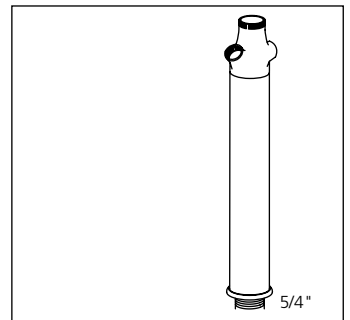
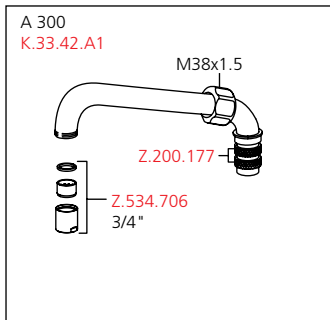


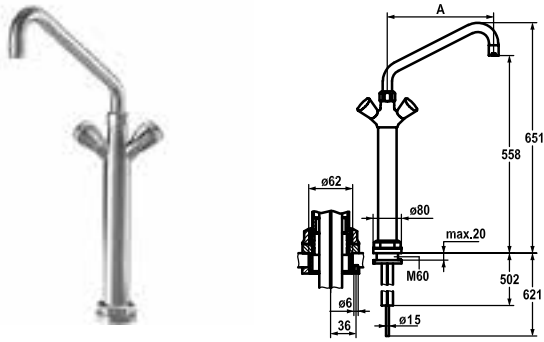
**Article-No.** KWC-No.  
**115.0315.668** K.24.41.20.000C07  
 all chrome, A 300  
**115.0315.669** K.24.41.21.000C07  
 all chrome, A 450

**Two-handle mixer ■ Commercial kitchen**

- Two-handle mixer
- Pillar 300 mm
  - KWC CORONA metal handles, removable
  - Swivel spout 360°
    - with adjustable gland
    - Jet regulator
  - Flat valves M20 x 1.25
    - stainless steel valve seat
  - Copper tubes ø15 mm
  - Fastening by means of threaded sleeve 1 ¼"
  - Mounting hole size ø42 mm

Flow rate 108 l/min (3 bar)  
 Acoustic group U





Article-No.	KWC-No.
<b>115.0315.622</b>	K.24.41.32.000C07
all chrome, A 300	
<b>115.0315.623</b>	K.24.41.34.000C07
all chrome, A 450	

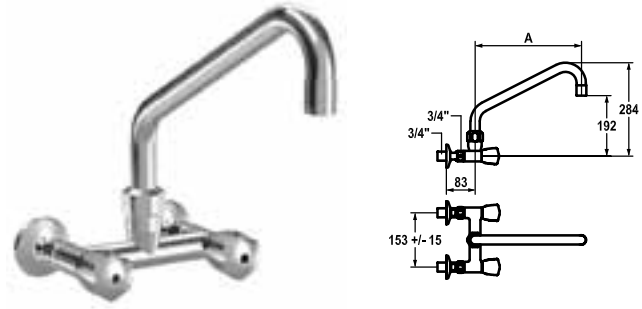
**Two-handle mixer ■ Commercial kitchen**

Two-handle mixer

- Pillar 300 mm
- KWC CORONA metal handles, removable
- Automatic outlet draining
- Preassembled socket
- Swivel spout 360°
  - with adjustable gland
  - Jet regulator
- Flat valves M20 x 1.25
  - stainless steel valve seat
- Copper tubes ø15 mm
- Mounting hole size ø62 mm

Flow rate 60 l/min (3 bar)  
Acoustic group U

<p>A 300 K.33.41.34</p>	<p>A 450 K.33.41.36</p>
<p>Z.503.009</p>	<p>Z.503.008</p>



Article-No.	KWC-No.
<b>115.0315.637</b>	K.24.42.21.000C86
all chrome, AD 153 +/- 15 mm, A 300	
<b>115.0315.638</b>	K.24.42.24.000C86
all chrome, AD 153 +/- 15 mm, A 450	

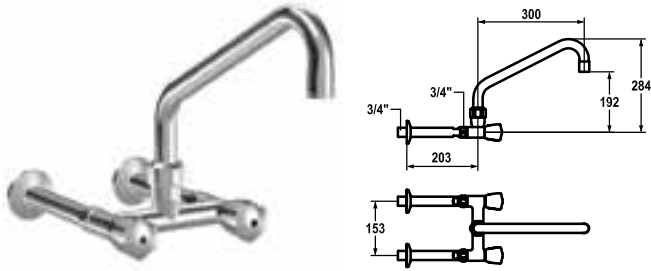
**Two-handle mixer ■ Commercial kitchen**

Two-handle mixer

- KWC CORONA metal handles, removable
- Swivel spout
  - with adjustable gland
  - Jet regulator
- Flat valves M20 x 1.25
  - stainless steel valve seat
- Wall connections 3/4" x 3/4", without shut-off valve L 40 eccentric 7.5 mm

Flow rate 120 l/min (3 bar)  
Acoustic group U

<p>A 300 K.33.42.A1</p>	<p>A 450 K.33.42.A3</p>
<p>Z.503.009</p>	<p>Z.503.008</p>
<p>Z.600.276</p>	

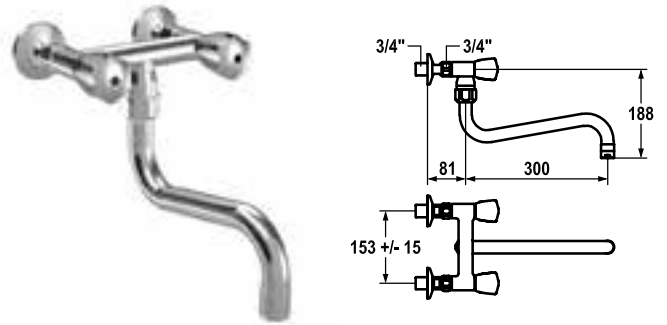
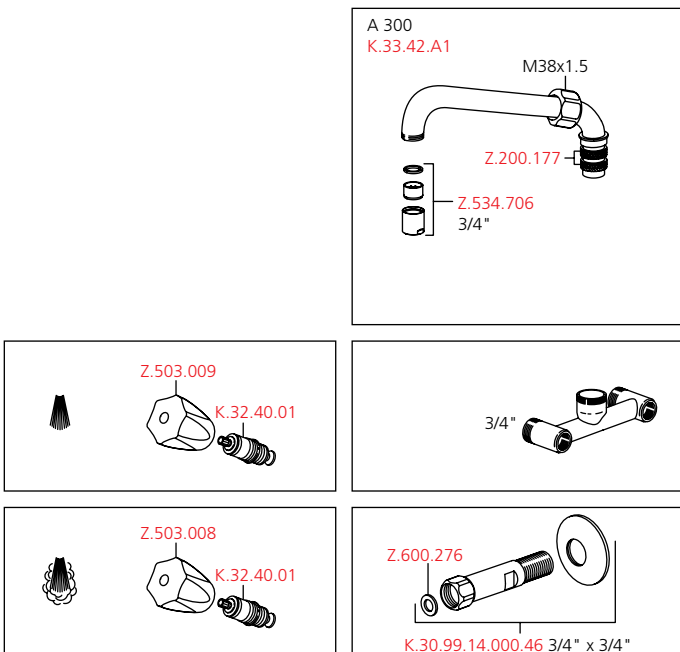


**Article-No.** KWC-No.  
**115.0315.676** K.24.42.22.000C74  
 all chrome, AD 153, A 300

**Two-handle mixer ■ Commercial kitchen**

- Two-handle mixer
- KWC CORONA metal handles, removable
  - Swivel spout
    - with adjustable gland
    - Jet regulator
  - Flat valves M20 x 1.25
    - stainless steel valve seat
  - Wall connections 3/4" x 3/4", without shut-off valve L 160

Flow rate 120 l/min (3 bar)  
 Acoustic group U

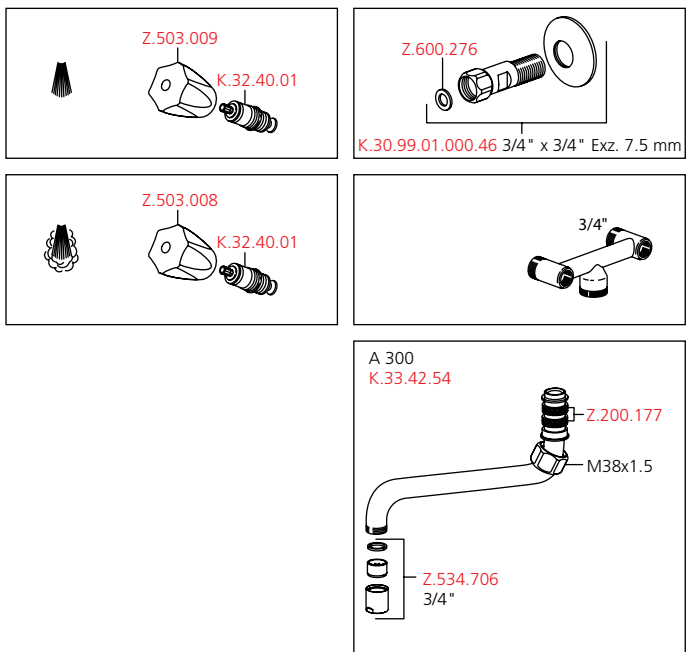


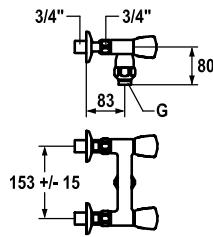
**Article-No.** KWC-No.  
**115.0315.634** K.24.42.11.000C86  
 all chrome, AD 153 +/- 15 mm, A 300

**Two-handle mixer ■ Commercial kitchen**

- Two-handle mixer
- KWC CORONA metal handles, removable
  - Swivel spout
    - with adjustable gland
    - Jet regulator
  - Flat valves M20 x 1.25
    - stainless steel valve seat
  - Wall connections 3/4" x 3/4", without shut-off valve L 40  
 eccentric 7.5 mm

Flow rate 120 l/min (3 bar)  
 Acoustic group U





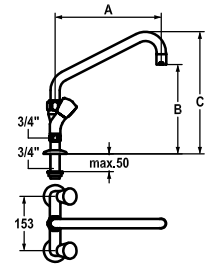
Article-No.	KWC-No.
<b>115.0315.635</b>	K.24.42.17.000C86
all chrome, AD 153 +/- 15 mm, G 3/4"	
<b>115.0315.636</b>	K.24.42.19.000C86
all chrome, AD 153 +/- 15 mm, G 3/4" x DN 20	

**Two-handle mixer ■ Commercial kitchen**

Two-handle mixer

- KWC CORONA metal handles, removable
- Intrinsically safe against backflow
- Threaded outlet for hose connection
- Flat valves M20 x 1.25
  - stainless steel valve seat
- Wall connections 3/4" x 3/4", without shut-off valve L 40 eccentric 7.5 mm

Flow rate 60 l/min (3 bar)  
Acoustic group U

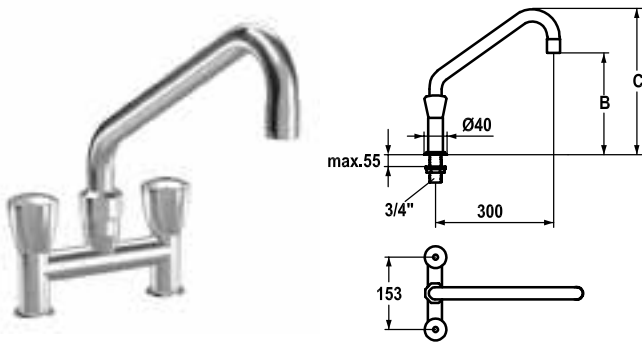
Article-No.	KWC-No.
<b>115.0315.639</b>	K.24.42.41.000C74
all chrome, AD 153, A 300, B 252, C 345	
<b>115.0315.640</b>	K.24.42.42.000C74
all chrome, AD 153, A 300, B 356, C 449	

**Two-handle mixer ■ Commercial kitchen**

Two-handle mixer

- KWC CORONA metal handles, removable
- Swivel spout 360°
  - with adjustable gland
  - Jet regulator
- Flat valves M20 x 1.25
  - stainless steel valve seat
- Pillar connections 3/4" x 3/4" L 45
- Mounting hole size ø28 mm

Flow rate 120 l/min (3 bar)  
Acoustic group U

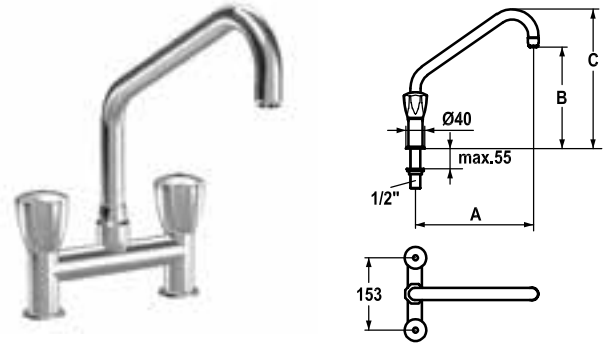



Article-No.	KWC-No.
<b>115.0315.628</b>	K.24.42.E1.000C35
all chrome, AD 153, A 300, B 210, C 305	
<b>115.0315.629</b>	K.24.42.E2.000C35
all chrome, AD 153, A 300, B 315, C 410	

**Two-handle mixer ■ Commercial kitchen**

Two-handle mixer

- KWC CORONA metal handles, removable
- Swivel spout 360°
  - with adjustable gland
  - Jet regulator
- Flat valves M20 x 1.25
  - stainless steel valve seat
- Connecting thread 3/4"
- Mounting hole size ø28 mm



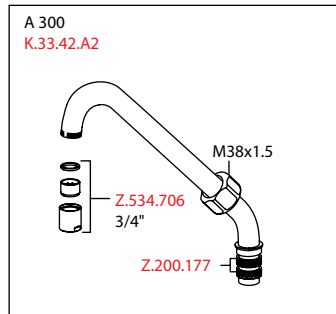
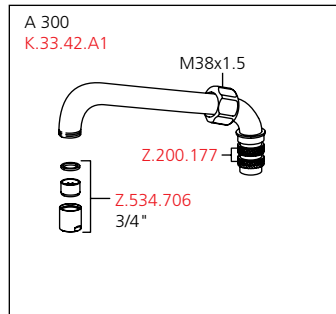
Article-No.	KWC-No.
<b>115.0315.632</b>	K.24.42.K1.000C34
all chrome, AD 153, A 250, B 215, C 297	
<b>115.0315.630</b>	K.24.42.K3.000C34
all chrome, AD 153, A 250, B 310, C 392	
<b>115.0315.631</b>	K.24.42.K5.000C34
all chrome, AD 153, A 350, B 215, C 297	

**Two-handle mixer ■ Commercial kitchen**

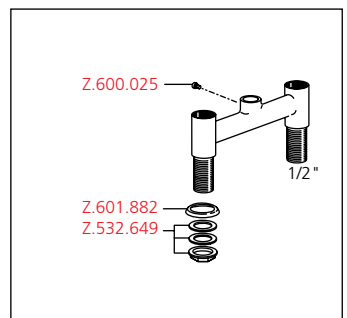
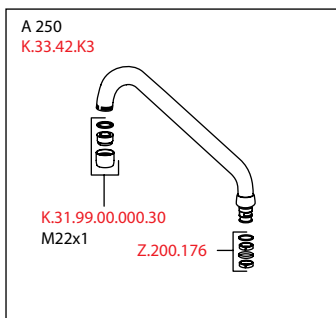
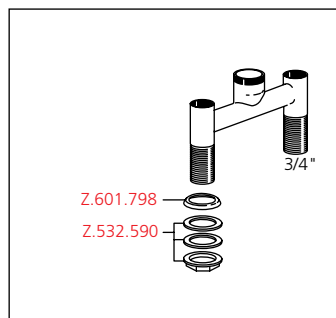
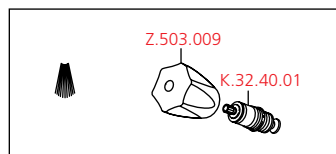
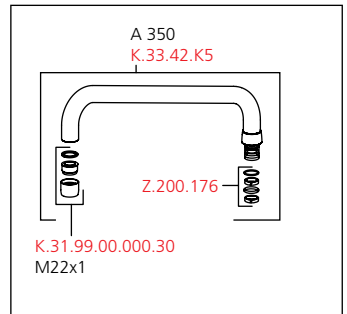
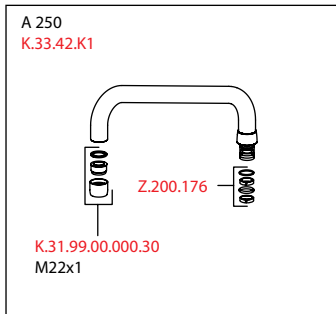
Two-handle mixer

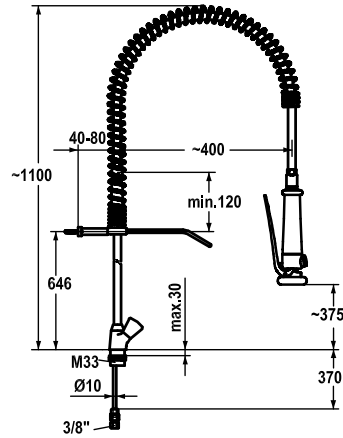
- KWC CORONA metal handles, removable
- Swivel spout 180°
  - Jet regulator
- Flat valves M20 x 1.25
  - stainless steel valve seat
- Connecting thread 1/2"
- Mounting hole size ø22 mm

Flow rate 120 l/min (3 bar)  
Acoustic group U



Flow rate 88 l/min (3 bar)  
Acoustic group U





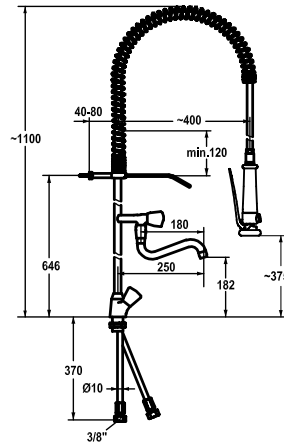
<b>Article-No.</b>	KWC-No.
<b>115.0315.663</b>	K.24.41.60.000C06
all chrome	

**Two-handle mixer ■ Commercial kitchen**

- Two-handle mixer
- Suspension spring
- KWC CORONA metal handles, removable
- Intrinsically safe against backflow
- Pre-rinse spray
  - with integrated delayed closing device to minimize water hammer
  - with valve maintenance unit for cleaning
- Flat valves M20 x 1.25
  - stainless steel valve seat
- Copper tubes ø10 mm
- Fastening by means of threaded sleeve M33 x 1.5
- Mounting hole size ø35 mm

Spray: Flow rate 14 l/min (3 bar)  
Acoustic group I

<p>Z.503.009 K.32.40.01</p>	<p>Z.502.844.700 L 1075 mm Z.633.570 Z.534.714.700</p>	<p>Z.503.818 ø 20.5 mm L = 731 mm Z.600.529</p>	<p>Z.634.116</p>
<p>Z.503.008 K.32.40.01</p>	<p>Z.536.530.145 Z.601.434 Z.536.525 Z.536.526 Z.636.518 Z.536.527</p>	<p>Z.600.515</p>	<p>Z.500.897 L = 60 mm, M12 Z.505.221 L = 90 mm, M12</p>
		<p>Z.532.179 ø 10 mm Z.500.899 ø10mm x 3/8"</p>	<p>Z.506.019</p>



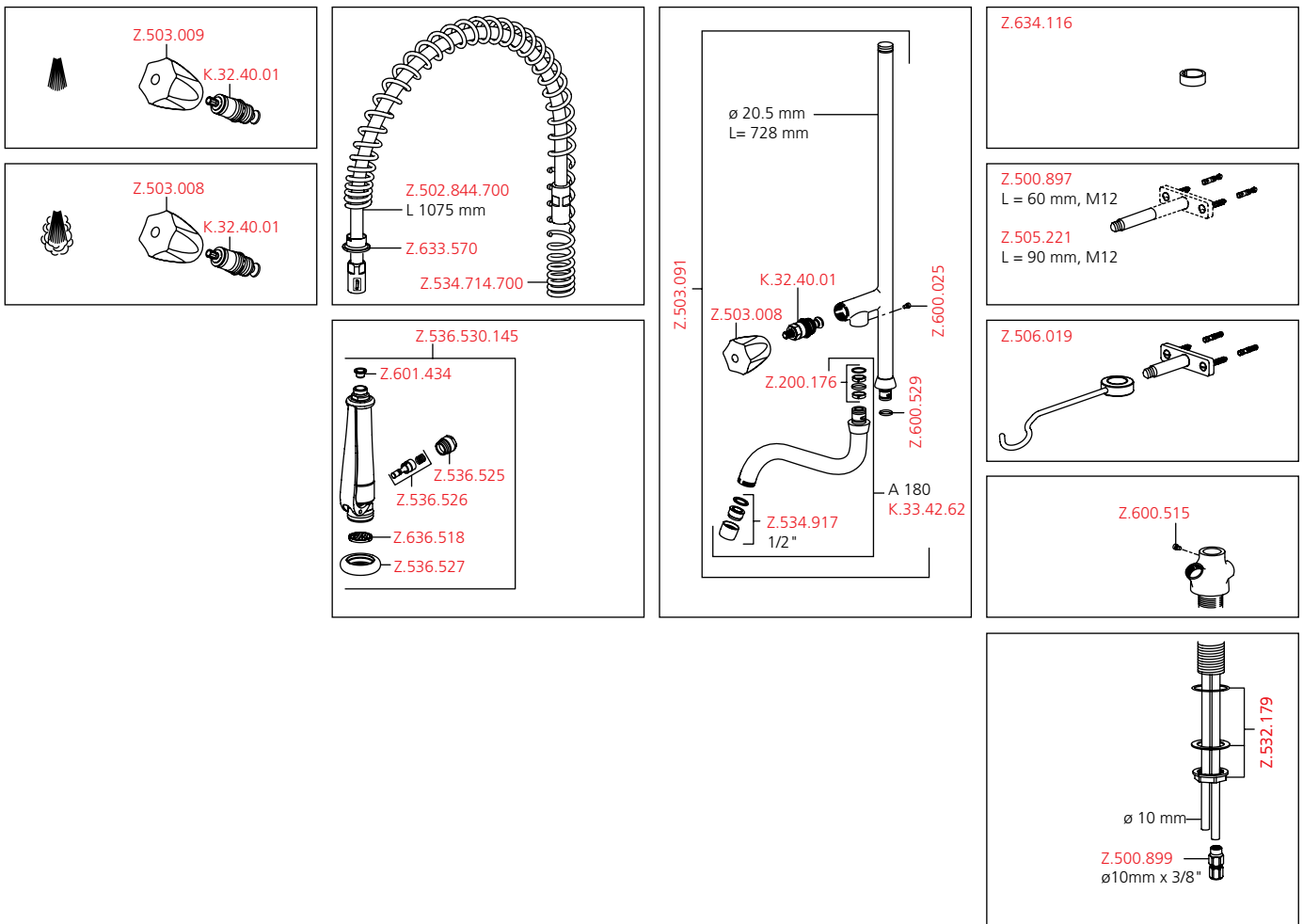
Article-No.	KWC-No.
<b>115.0315.627</b>	K.24.41.61.000C06
all chrome, A 180	

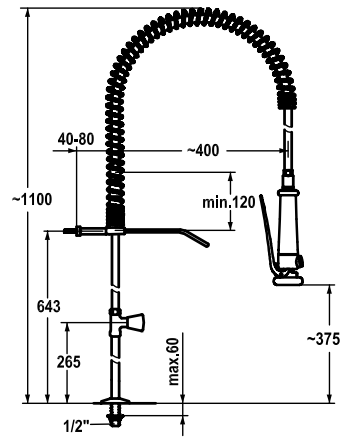
**Two-handle mixer ■ Commercial kitchen**

**Two-handle mixer**

- Suspension spring
- KWC CORONA metal handles, removable
- Intrinsically safe against backflow
- Swivel spout 180°
  - Jet regulator
- Pre-rinse spray
  - with integrated delayed closing device to minimize water hammer
  - with valve maintenance unit for cleaning
- Flat valves M20 x 1.25
  - stainless steel valve seat
- Copper tubes ø10 mm
- Fastening by means of threaded sleeve M33 x 1.5
- Mounting hole size ø35 mm

Flow rate 33 l/min (3 bar)  
 Spray: Flow rate 14 l/min (3 bar)  
 Acoustic group II





<b>Article-No.</b>	KWC-No.
<b>115.0315.661</b>	K.24.40.60.000C34
all chrome	

**Commercial kitchen ■ Vertical shut-off valve**

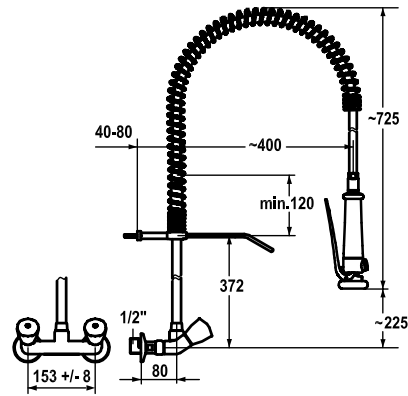
Vertical shut-off valve

- Suspension spring
- KWC CORONA metal handle, removable (cold water)
- Pre-rinse spray
  - with integrated delayed closing device to minimize water hammer
  - with valve maintenance unit for cleaning
- Flat valves M20 x 1.25
  - stainless steel valve seat
- Connecting thread 1/2"
- Mounting hole size ø22 mm

Spray: Flow rate 14 l/min (3 bar)  
Acoustic group I

<p>Z.503.009 K.32.40.01</p>	<p>Z.502.844.700 L 1075 mm Z.633.570 Z.534.714.700</p>	<p>Z.501.836 ø20,5 mm L = 475 mm 3/4" Z.600.276</p>	<p>Z.634.116</p>
<p>Z.536.530.145 Z.601.434 Z.536.525 Z.536.526 Z.636.518 Z.536.527</p>	<p>Z.500.897 L = 60 mm, M12 Z.505.221 L = 90 mm, M12</p>	<p>Z.506.019</p>	<p>3/4" 1/2" Z.503.840 Z.600.274 Z.600.323 Z.532.649</p>





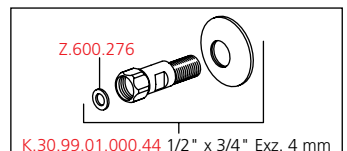
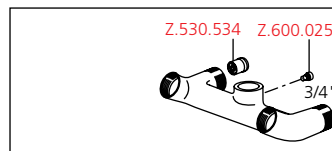
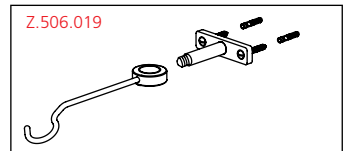
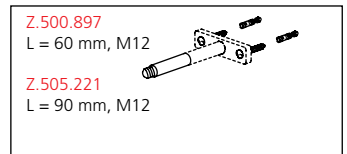
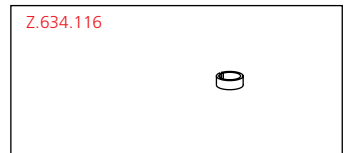
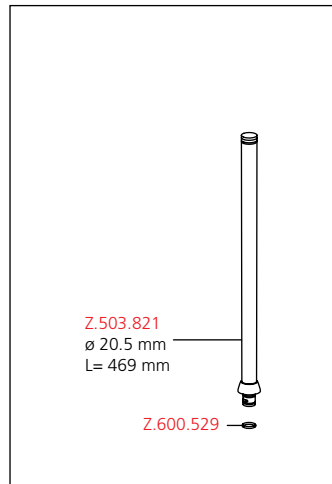
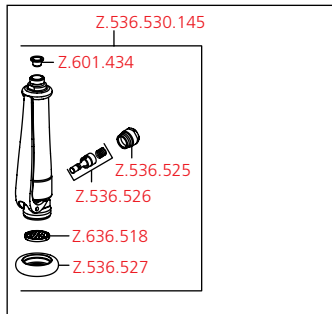
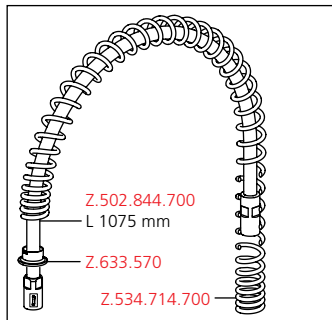
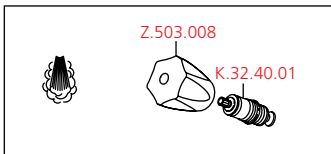
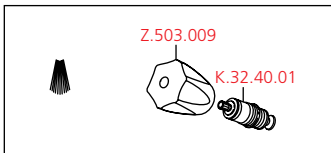
Article-No.	KWC-No.
<b>115.0315.621</b>	K.24.42.70.000C78
all chrome, AD 153 +/- 8 mm	

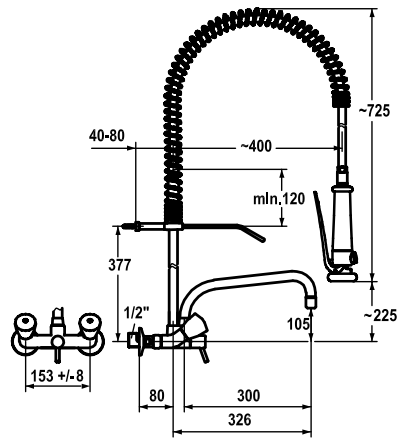
**Two-handle mixer ■ Commercial kitchen**

Two-handle mixer

- Suspension spring
- KWC CORONA metal handles, removable
- Intrinsically safe against backflow
- Pre-rinse spray
  - with integrated delayed closing device to minimize water hammer
  - with valve maintenance unit for cleaning
- Flat valves M20 x 1.25
  - stainless steel valve seat
- Wall connections 1/2" x 3/4", without shut-off valve L 40 eccentric 4 mm

Spray: Flow rate 14 l/min (3 bar)  
Acoustic group I





<b>Article-No.</b>	KWC-No.
<b>115.0315.620</b>	K.24.42.74.000C78
all chrome, AD 153 +/- 8 mm, A 300	

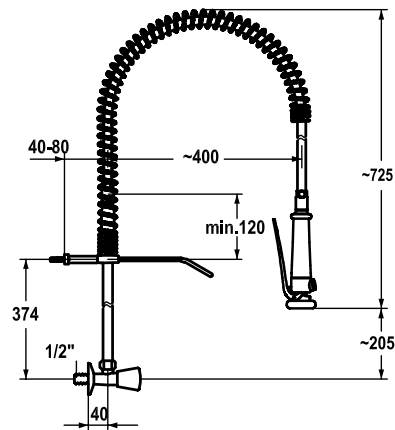
**Two-handle mixer ■ Commercial kitchen**

Two-handle mixer

- Suspension spring
- KWC CORONA metal handles, removable
- Intrinsically safe against backflow
- Swivel spout 180°
  - Jet regulator
- Pre-rinse spray
  - with integrated delayed closing device to minimize water hammer
  - with valve maintenance unit for cleaning
- Flat valves M20 x 1.25
  - stainless steel valve seat
- Wall connections 1/2" x 3/4", without shut-off valve L 40 eccentric 4 mm

Flow rate 33 l/min (3 bar)  
 Spray: Flow rate 14 l/min (3 bar)  
 Acoustic group U

<p>Z.503.009 K.32.40.01</p>	<p>Z.502.844.700 L 1075 mm Z.633.570 Z.534.714.700</p>	<p>Z.503.836 ø 20.5 mm L= 500 mm Z.601.205</p>	<p>Z.634.116</p>
<p>Z.503.008 K.32.40.01</p>	<p>Z.536.530.145 Z.601.434 Z.536.525 Z.536.526 Z.636.518 Z.536.527</p>	<p>Z.530.534 Z.600.025 3/4"</p>	<p>Z.500.897 L = 60 mm, M12 Z.505.221 L = 90 mm, M12</p>
<p>A 300 Z.535.424 Z.200.176 K.31.99.00.000.30 M22x1</p>		<p>Z.634.783 Z.501.297 Z.631.222</p>	<p>Z.506.019 Z.600.276 K.30.99.01.000.44 1/2" x 3/4" Exz. 4 mm</p>



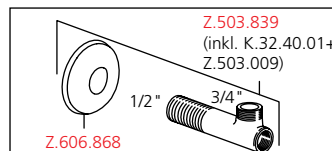
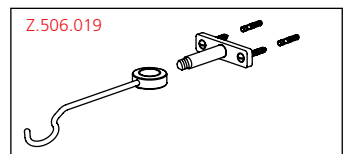
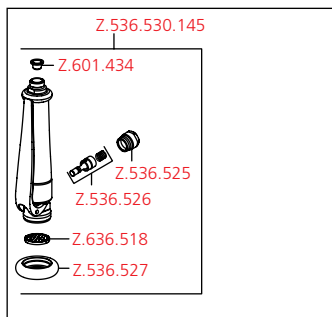
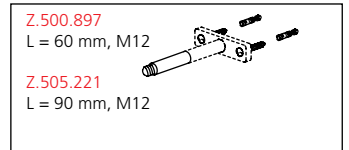
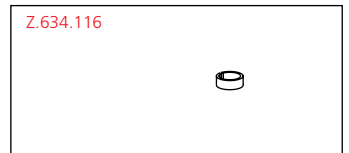
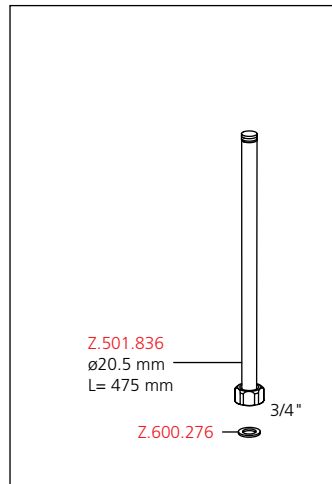
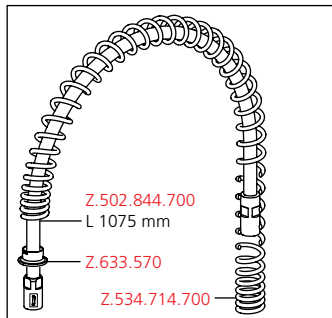
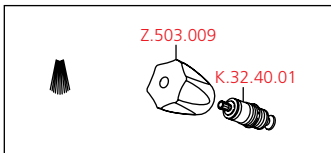
<b>Article-No.</b>	KWC-No.
<b>115.0315.662</b>	K.24.40.70.000C34
all chrome	

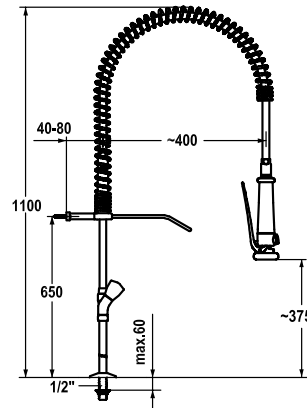
**Commercial kitchen ■ Wall mounted valve**

Wall mounted valve

- Suspension spring
- KWC CORONA metal handle, removable (cold water)
- Pre-rinse spray
  - with integrated delayed closing device to minimize water hammer
  - with valve maintenance unit for cleaning
- Flat valves M20 x 1.25
  - stainless steel valve seat
- Connecting thread 1/2"

Spray: Flow rate 14 l/min (3 bar)  
Acoustic group I





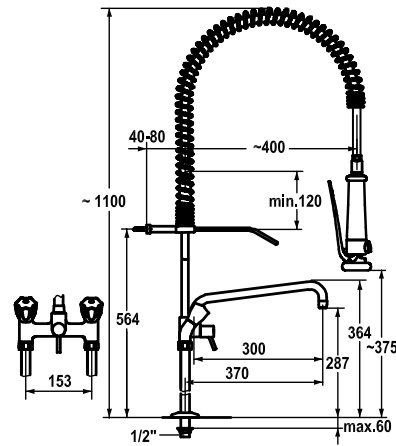
<b>Article-No.</b>	KWC-No.
<b>115.0315.664</b>	K.24.42.62.000C71
all chrome, AD 153	

**Two-handle mixer ■ Commercial kitchen**

- Two-handle mixer
- KWC CORONA metal handles, removable
  - Intrinsically safe against backflow
  - Pre-rinse spray
    - with integrated delayed closing device to minimize water hammer
    - with valve maintenance unit for cleaning
  - Flat valves M20 x 1.25
    - stainless steel valve seat
  - Pillar connections 1/2" x 3/4" L 130
  - Mounting hole size ø22 mm

Spray: Flow rate 14 l/min (3 bar)  
Acoustic group I

<p>Z.503.009 K.32.40.01</p>	<p>Z.502.844.700 L 1075 mm Z.633.570 Z.534.714.700</p>	<p>Z.503.822 ø20.5 mm L= 578 mm Z.600.529</p>	<p>Z.634.116</p>
<p>Z.503.008 K.32.40.01</p>	<p>Z.536.530.145 Z.601.434 Z.536.525 Z.536.526 Z.636.518 Z.536.527</p>	<p>Z.600.025 Z.530.534 3/4"</p>	<p>Z.500.897 L = 60 mm, M12 Z.505.221 L = 90 mm, M12</p>
		<p>Z.600.025 Z.530.534 3/4"</p>	<p>Z.600.019 Z.600.276 L = 130 mm Z.606.622 Z.532.649 1/2"</p>



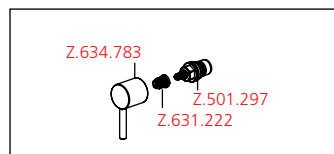
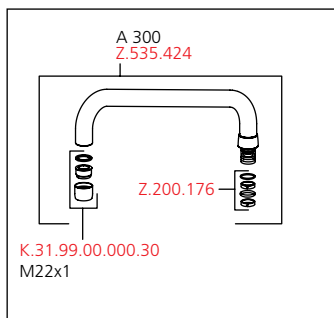
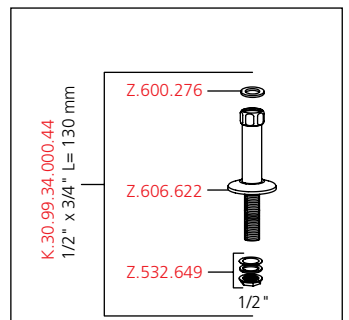
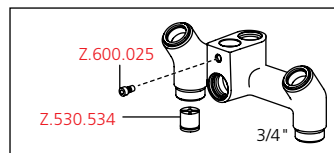
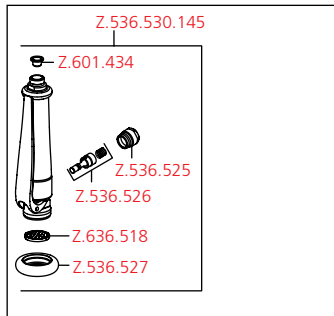
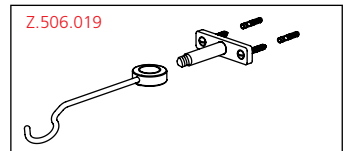
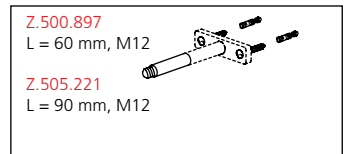
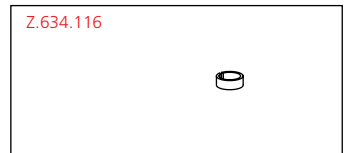
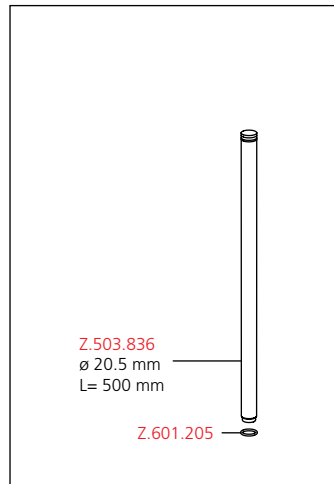
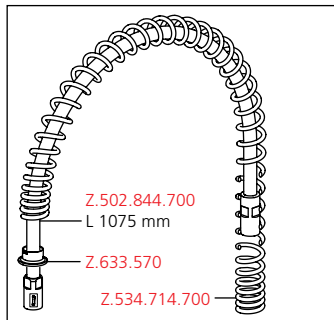
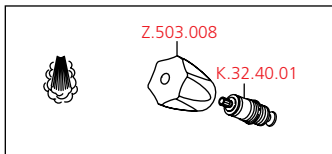
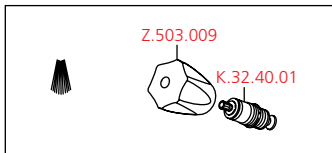
Article-No.	KWC-No.
<b>115.0315.626</b>	K.24.42.64.000C71
all chrome, AD 153, A 300	

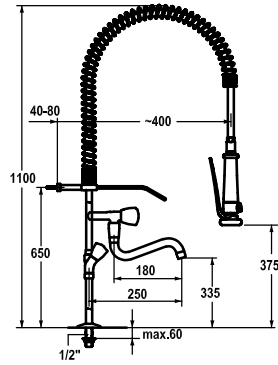
**Two-handle mixer ■ Commercial kitchen**

Two-handle mixer

- Suspension spring
- KWC CORONA metal handles, removable
- Intrinsically safe against backflow
- Swivel spout 180°
  - Jet regulator
- Pre-rinse spray
  - with integrated delayed closing device to minimize water hammer
  - with valve maintenance unit for cleaning
- Flat valves M20 x 1.25
  - stainless steel valve seat
- Pillar connections 1/2" x 3/4" L 130
- Mounting hole size ø22 mm

Flow rate 33 l/min (3 bar)  
 Spray: Flow rate 14 l/min (3 bar)  
 Acoustic group U





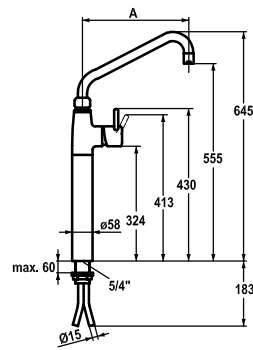
<b>Article-No.</b>	KWC-No.
<b>115.0315.670</b>	K.24.42.61.000C71
all chrome, AD 153, A 180	

**Two-handle mixer ■ Commercial kitchen**

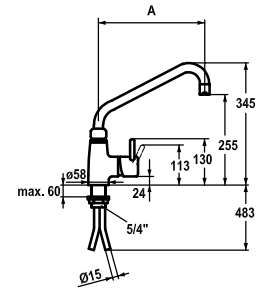
- Two-handle mixer
- Suspension spring
  - KWC CORONA metal handles, removable
  - Intrinsically safe against backflow
  - Swivel spout 180°
  - Pre-rinse spray
    - with integrated delayed closing device to minimize water hammer
    - with valve maintenance unit for cleaning
  - Flat valves M20 x 1.25
    - stainless steel valve seat
  - Pillar connections 1/2" x 3/4" L 130
  - Mounting hole size ø22 mm

Flow rate 33 l/min (3 bar)  
 Spray: Flow rate 14 l/min (3 bar)  
 Acoustic group U

<p>Z.503.009 K.32.40.01</p>	<p>Z.502.844.700 L 1075 mm Z.633.570 Z.534.714.700</p>	<p>ø 20.5 mm L= 728 mm Z.503.091 K.32.40.01 Z.503.008 Z.200.176 Z.600.025 Z.600.529 A 180 K.33.42.62 Z.534.917 1/2"</p>	<p>Z.634.116</p>
<p>Z.503.008 K.32.40.01</p>	<p>Z.536.530.145 Z.601.434 Z.536.525 Z.536.526 Z.636.518 Z.536.527</p>	<p>Z.500.897 L = 60 mm, M12 Z.505.221 L = 90 mm, M12</p>	<p>Z.506.019</p>
<p>Z.600.025 Z.530.534 3/4"</p>	<p>K.30.99.34.000.44 1/2" x 3/4" L= 130 mm Z.600.276 Z.606.868 Z.532.649 1/2"</p>		



Article-No.	KWC-No.
<b>115.0315.692</b>	24.501.064.000
all chrome, A 300	
<b>115.0315.693</b>	24.501.066.000
all chrome, A 450	



Article-No.	KWC-No.
<b>115.0315.688</b>	24.501.044.000
all chrome, A 300	
<b>115.0315.689</b>	24.501.046.000
all chrome, A 450	

**Lever mixer ■ Commercial kitchen**

Lever mixer

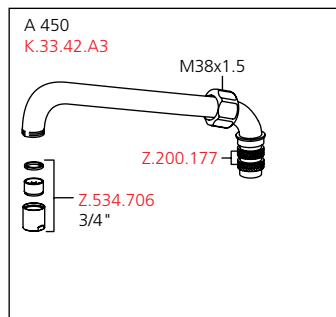
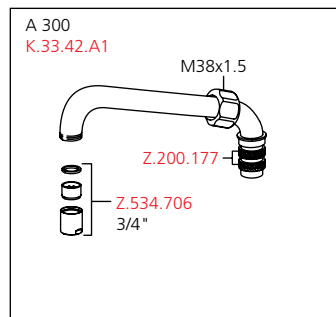
- Pillar 300 mm
- Swivel spout 360°
  - with adjustable gland
  - Jet regulator
- KWC cartridge XL 46 - high capacity
  - with ceramic discs
  - flow rate and temperature continuously variable
  - temperature limitation
- Copper tubes ø15 mm
- Fastening by means of threaded sleeve 1 ¼"
- Mounting hole size ø42 mm

**Lever mixer ■ Commercial kitchen**

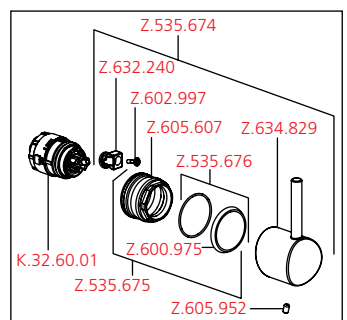
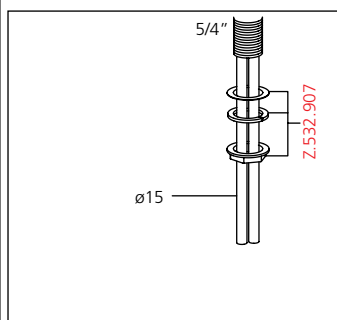
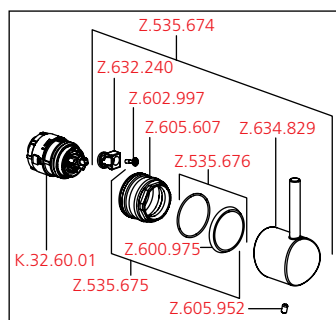
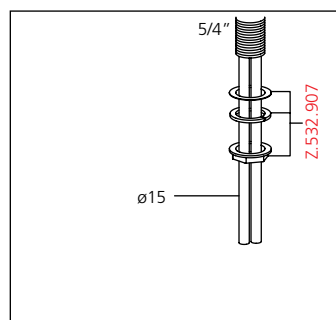
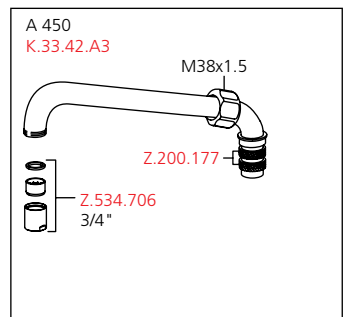
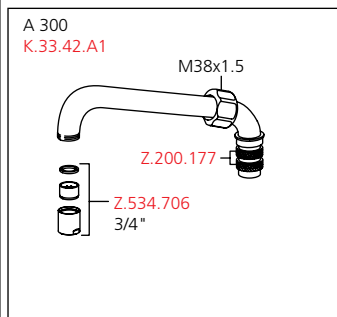
Lever mixer

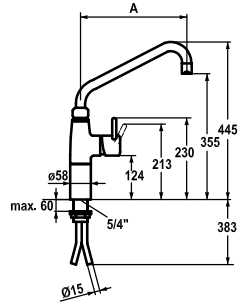
- Swivel spout 360°
  - with adjustable gland
  - Jet regulator
- KWC cartridge XL 46 - high capacity
  - with ceramic discs
  - flow rate and temperature continuously variable
  - temperature limitation
- Copper tubes ø15 mm
- Fastening by means of threaded sleeve 1 ¼"
- Mounting hole size ø42 mm

Flow rate 40 l/min (3 bar)  
Acoustic group U



Flow rate 40 l/min (3 bar)  
Acoustic group U





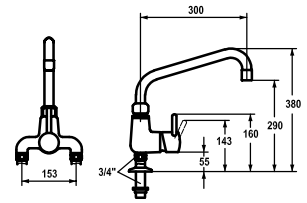
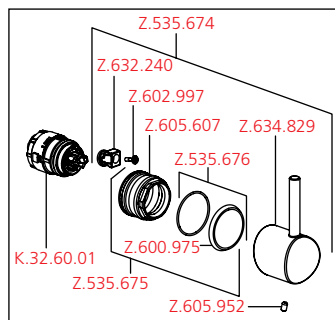
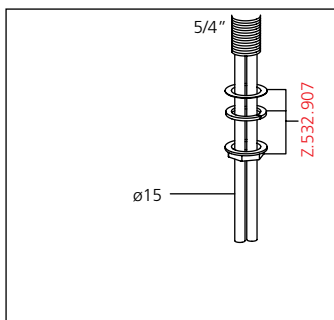
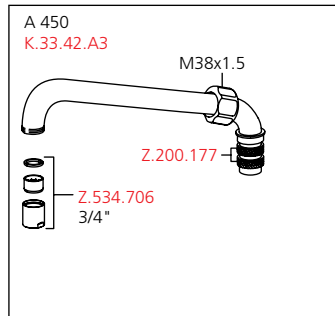
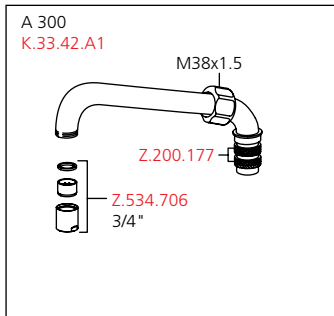
Article-No.	KWC-No.
<b>115.0315.690</b>	24.501.054.000
all chrome, A 300	
<b>115.0315.691</b>	24.501.056.000
all chrome, A 450	

**Lever mixer ■ Commercial kitchen**

Lever mixer

- Pillar 100 mm
- Swivel spout 360°
  - with adjustable gland
  - Jet regulator
- KWC cartridge XL 46 - high capacity
  - with ceramic discs
  - flow rate and temperature continuously variable
  - temperature limitation
- Copper tubes  $\varnothing 15$  mm
- Fastening by means of threaded sleeve 1 1/4"
- Mounting hole size  $\varnothing 42$  mm

Flow rate 40 l/min (3 bar)  
Acoustic group U



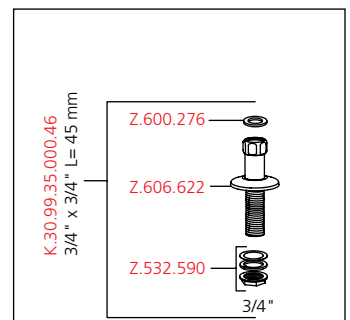
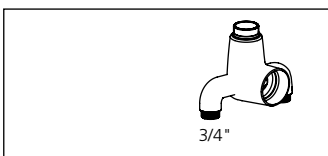
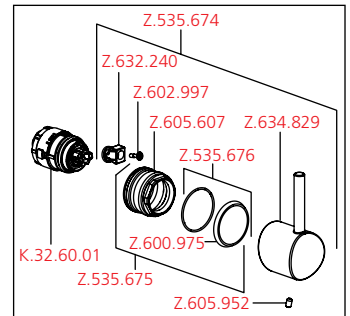
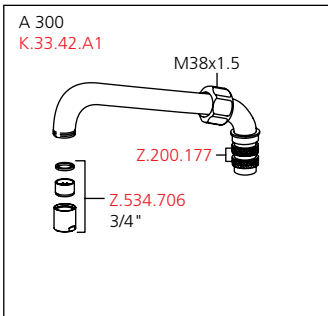
Article-No.	KWC-No.
<b>115.0315.695</b>	24.503.174.000
all chrome, AD 153, A 300	

**Lever mixer ■ Commercial kitchen**

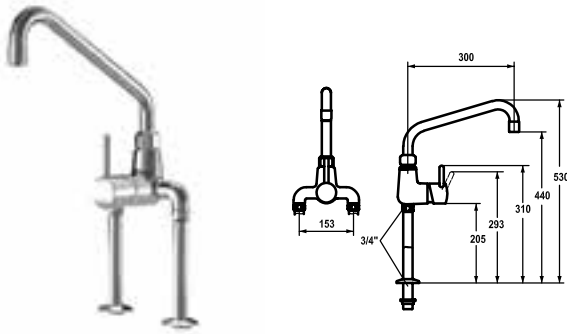
Lever mixer

- Swivel spout 360°
  - with adjustable gland
  - Jet regulator
- KWC cartridge XL 46 - high capacity
  - with ceramic discs
  - flow rate and temperature continuously variable
  - temperature limitation
- Pillar connections 3/4" x 3/4" L 45
- Mounting hole size  $\varnothing 30$  mm

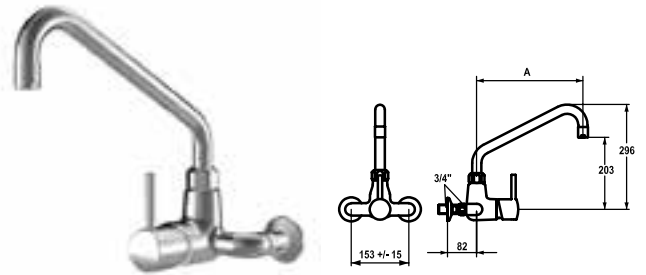
Flow rate 40 l/min (3 bar)  
Acoustic group U







Article-No.	KWC-No.
<b>115.0315.696</b>	24.503.184.000
all chrome, AD 153, A 300	



Article-No.	KWC-No.
<b>115.0315.651</b>	24.502.194.000
all chrome, AD 153 +/- 15 mm, A 300	
<b>115.0315.652</b>	24.502.196.000
all chrome, AD 153 +/- 15 mm, A 450	

**Lever mixer ■ Commercial kitchen**

Lever mixer

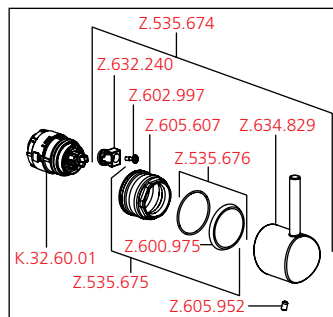
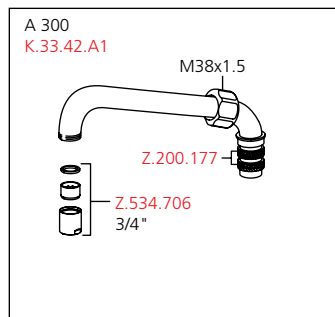
- Swivel spout 360°
  - with adjustable gland
  - Jet regulator
- KWC cartridge XL 46 - high capacity
  - with ceramic discs
  - flow rate and temperature continuously variable
  - temperature limitation
- Pillar connections 3/4" x 3/4" L 195
- Mounting hole size ø30 mm

**Lever mixer ■ Commercial kitchen**

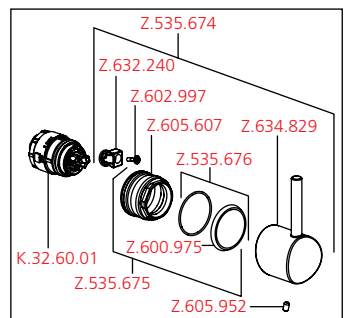
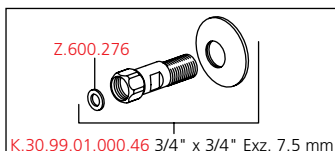
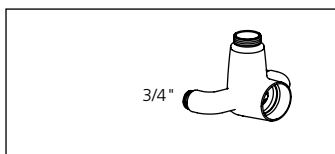
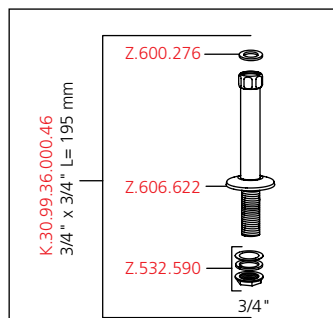
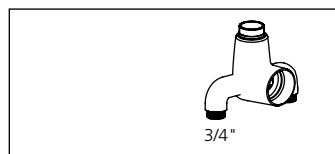
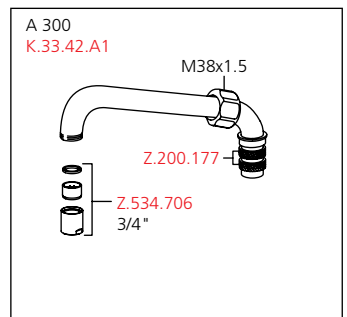
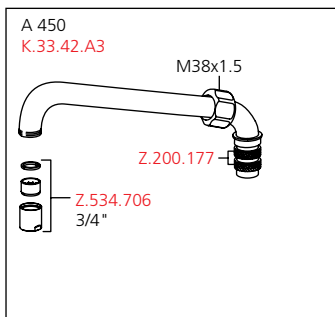
Lever mixer

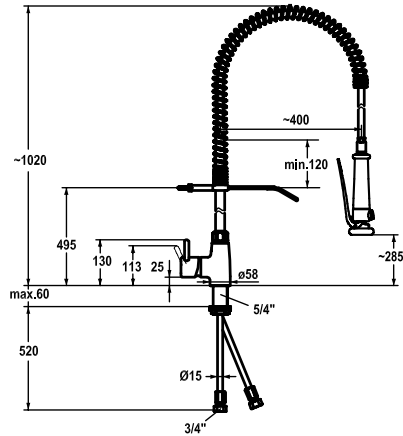
- Swivel spout
  - with adjustable gland
  - Jet regulator
- KWC cartridge XL 46 - high capacity
  - with ceramic discs
  - flow rate and temperature continuously variable
  - temperature limitation
- Wall connections 3/4" x 3/4", without shut-off valve L 40 eccentric 7.5 mm

Flow rate 40 l/min (3 bar)  
Acoustic group U



Flow rate 40 l/min (3 bar)  
Acoustic group U





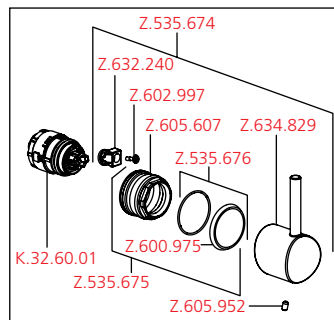
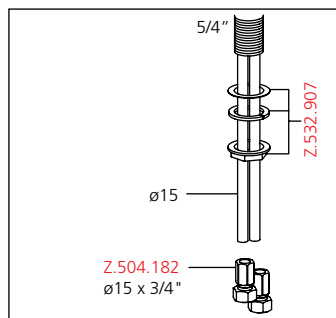
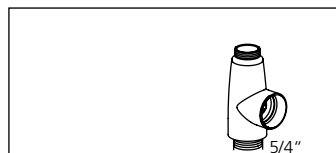
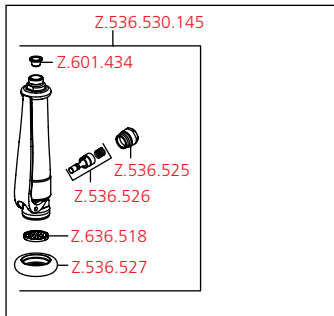
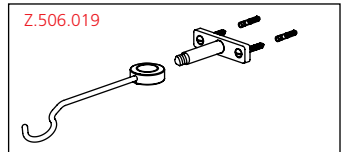
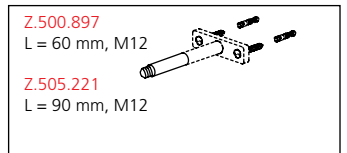
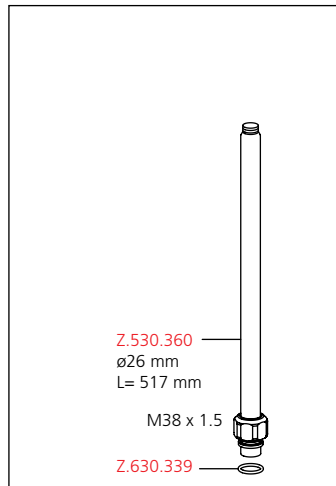
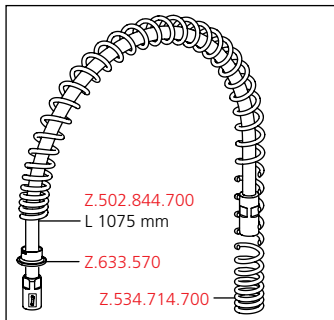
Article-No.	KWC-No.
<b>115.0315.694</b>	24.501.130.000
all chrome	

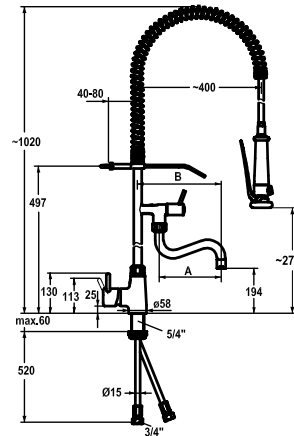
**Lever mixer ■ Commercial kitchen**

Lever mixer

- Suspension spring
- Intrinsically safe against backflow
- Pre-rinse spray
  - with integrated delayed closing device to minimize water hammer
  - with valve maintenance unit for cleaning
- KWC cartridge XL 46 - high capacity
  - with ceramic discs
  - flow rate and temperature continuously variable
  - temperature limitation
- Copper tubes ø15 mm
- Fastening by means of threaded sleeve 1 1/4"
- Mounting hole size ø42 mm

Spray: Flow rate 18 l/min (3 bar)  
Acoustic group II





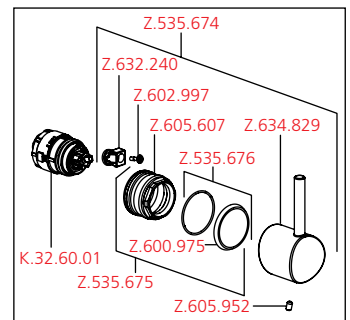
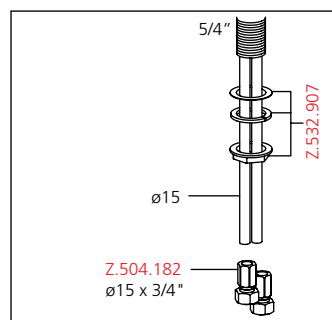
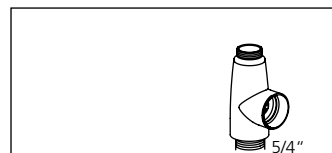
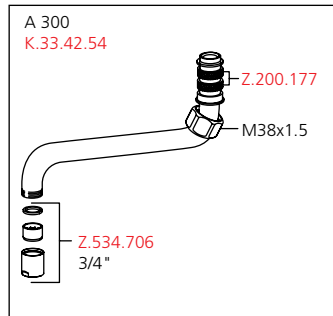
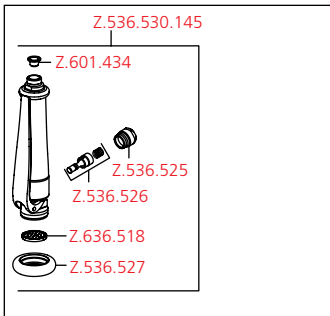
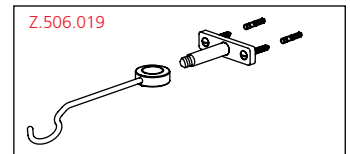
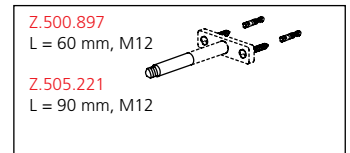
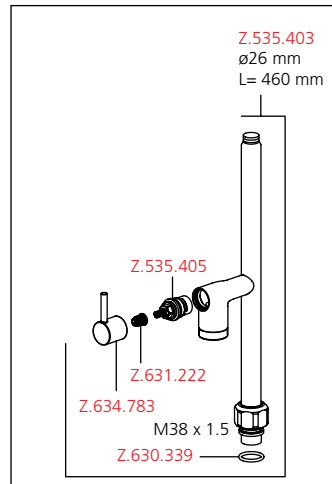
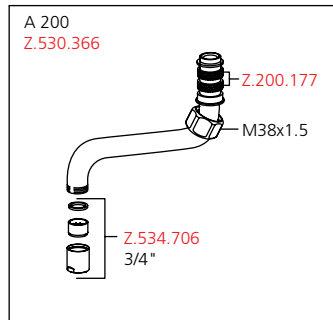
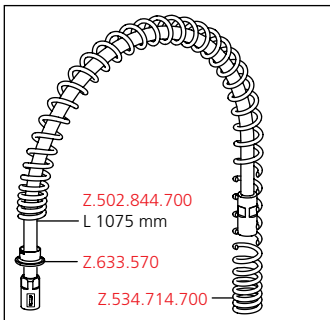
Article-No.	KWC-No.
<b>115.0315.647</b>	24.501.144.000
all chrome, A 200, B 270	
<b>115.0315.648</b>	24.501.146.000
all chrome, A 300, B 370	

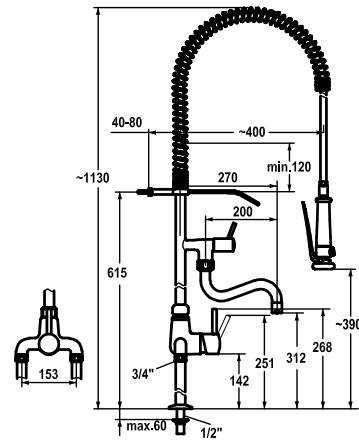
**Lever mixer ■ Commercial kitchen**

**Lever mixer**

- Suspension spring
- Intrinsically safe against backflow
- Swivel spout
  - with adjustable gland
  - Jet regulator
- Pre-rinse spray
  - with integrated delayed closing device to minimize water hammer
  - with valve maintenance unit for cleaning
- KWC cartridge XL 46 - high capacity
  - with ceramic discs
  - flow rate and temperature continuously variable
  - temperature limitation
- Copper tubes ø15 mm
- Fastening by means of threaded sleeve 1 ¼"
- Mounting hole size ø42 mm

Flow rate 24 l/min (3 bar)  
 Spray: Flow rate 18 l/min (3 bar)  
 Acoustic group II





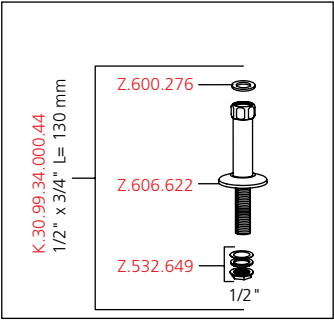
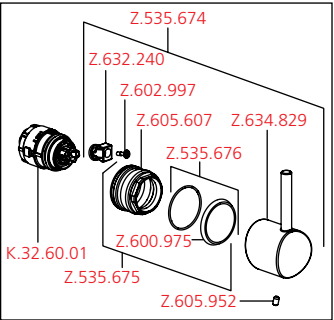
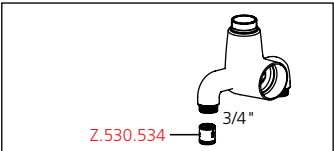
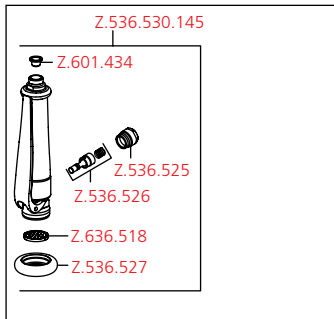
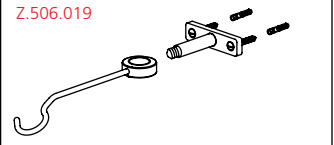
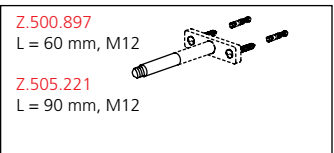
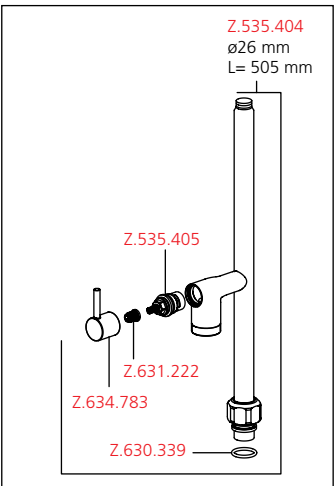
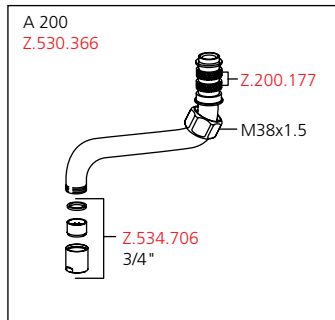
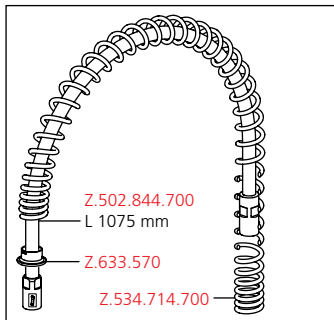
Article-No. KWC-No.  
**115.0315.653** 24.503.114.000  
 all chrome, AD 153, A 200, B 270

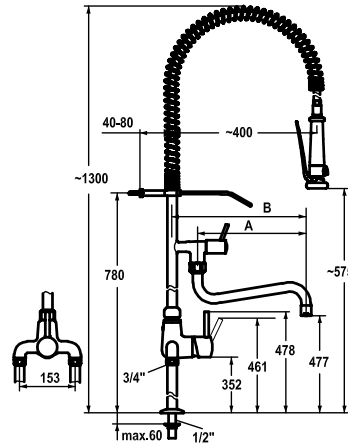
**Lever mixer ■ Commercial kitchen**

Lever mixer

- Suspension spring
- Intrinsically safe against backflow
- Swivel spout
  - with adjustable gland
  - Jet regulator
- Pre-rinse spray
  - with integrated delayed closing device to minimize water hammer
  - with valve maintenance unit for cleaning
- KWC cartridge XL 46 - high capacity
  - with ceramic discs
  - flow rate and temperature continuously variable
  - temperature limitation
- Pillar connections 1/2" x 3/4" L 130
- Mounting hole size ø22 mm

Flow rate 34 l/min (3 bar)  
 Spray: Flow rate 18 l/min (3 bar)  
 Acoustic group II





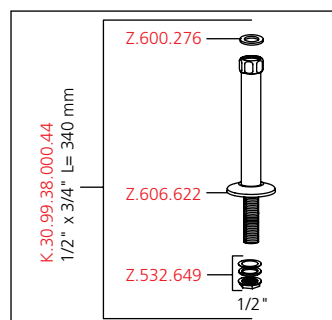
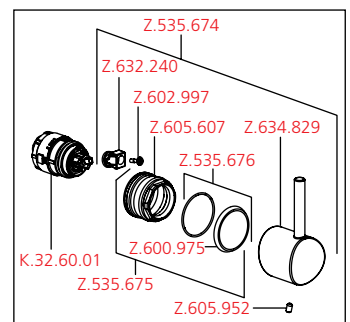
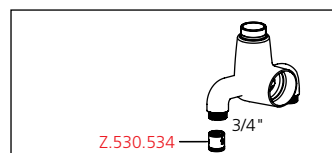
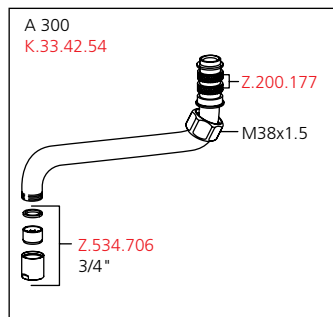
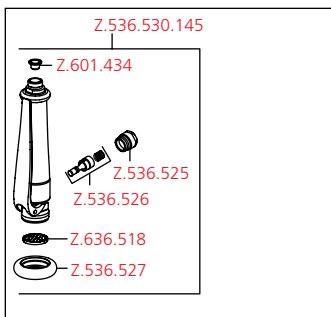
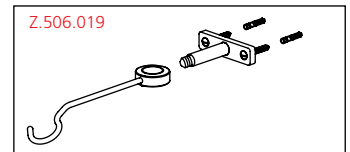
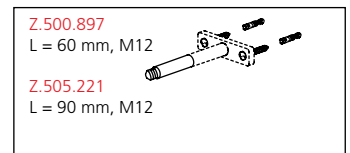
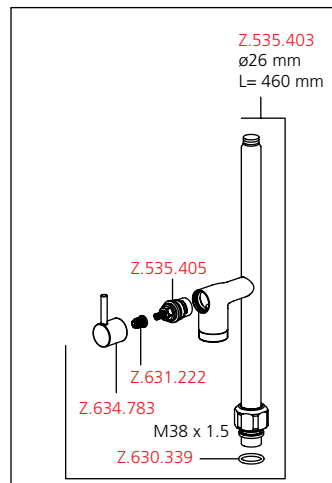
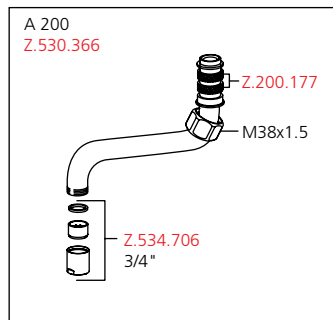
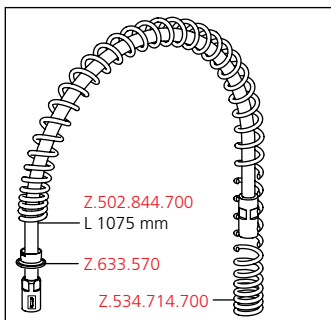
Article-No.	KWC-No.
<b>115.0315.654</b>	24.503.124.000
all chrome, AD 153, A 200, B 270	
<b>115.0315.655</b>	24.503.126.000
all chrome, AD 153, A 300, B 370	

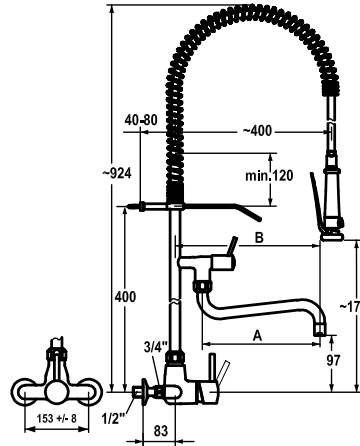
**Lever mixer ■ Commercial kitchen**

**Lever mixer**

- Suspension spring
- Intrinsically safe against backflow
- Swivel spout 160°
  - with adjustable gland
  - Jet regulator
- Pre-rinse spray
  - with integrated delayed closing device to minimize water hammer
  - with valve maintenance unit for cleaning
- KWC cartridge XL 46 - high capacity
  - with ceramic discs
  - flow rate and temperature continuously variable
  - temperature limitation
- Pillar connections 1/2" x 3/4" L 340
- Mounting hole size ø22 mm

Flow rate 34 l/min (3 bar)  
 Spray: Flow rate 18 l/min (3 bar)  
 Acoustic group II





Article-No.	KWC-No.
<b>115.0315.649</b>	24.502.164.000
all chrome, AD 153 +/- 8 mm, A 200, B 270	
<b>115.0315.650</b>	24.502.166.000
all chrome, AD 153 +/- 8 mm, A 300, B 370	

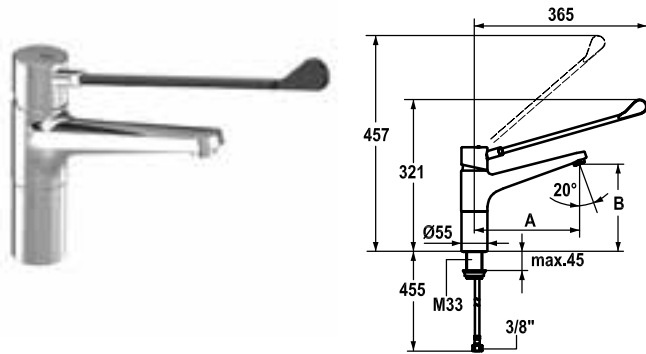
**Lever mixer ■ Commercial kitchen**

**Lever mixer**

- Suspension spring
- Intrinsically safe against backflow
- Swivel spout 160°
  - with adjustable gland
  - Jet regulator
- Pre-rinse spray
  - with integrated delayed closing device to minimize water hammer
  - with valve maintenance unit for cleaning
- KWC cartridge XL 46 - high capacity
  - with ceramic discs
  - flow rate and temperature continuously variable
  - temperature limitation
- Wall connections 1/2" x 3/4", without shut-off valve L 40 eccentric 4 mm

Flow rate 34 l/min (3 bar)  
 Spray: Flow rate 18 l/min (3 bar)  
 Acoustic group II

	<p>A 200 Z.530.366</p>	<p>Z.535.403 ø26 mm L= 460 mm</p>	<p>Z.500.897 L = 60 mm, M12</p> <p>Z.505.221 L = 90 mm, M12</p>
<p>Z.536.530.145</p>	<p>A 300 K.33.42.54</p>	<p>Z.530.534</p>	<p>Z.506.019</p>
<p>Z.600.276</p> <p>K.30.99.01.000.44 1/2" x 3/4" Exz. 4 mm</p>	<p>Z.535.674</p>		

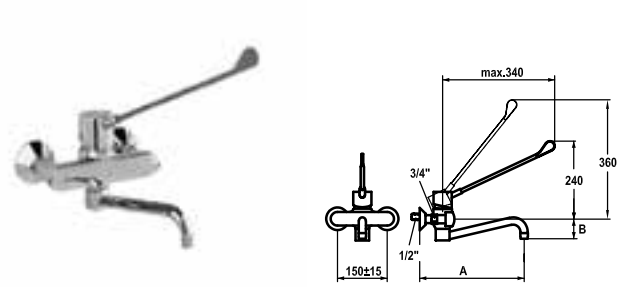
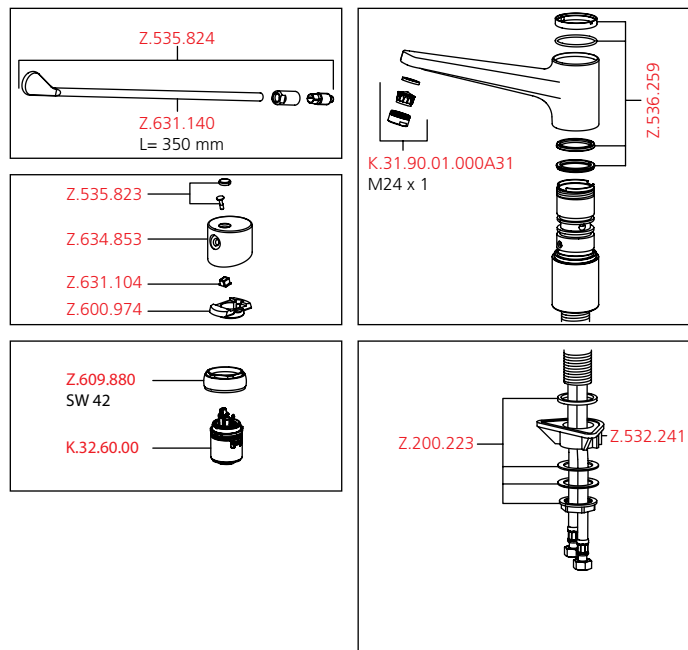


Article-No.	KWC-No.
<b>115.0315.700</b>	24.501.103.000LLFL
all chrome, A 225, B 184, with long lever	
<b>115.0315.699</b>	24.501.104.000LLFL
all chrome, A 300, B 207, with long lever	

**Lever mixer ■ Commercial kitchen**

- Lever mixer
- Socket 85 mm
  - Swivel spout 160°
  - Neoperl® Cascade®
  - KWC cartridge L 39 - universal
  - with ceramic discs
  - flow rate and temperature continuously variable
  - temperature and flow rate limitation
  - Flexible connection hoses 3/8"
  - Fastening by means of threaded sleeve M33 x 1.5
  - Mounting hole size ø35 mm

Flow rate 12 l/min (3 bar)  
Acoustic group I

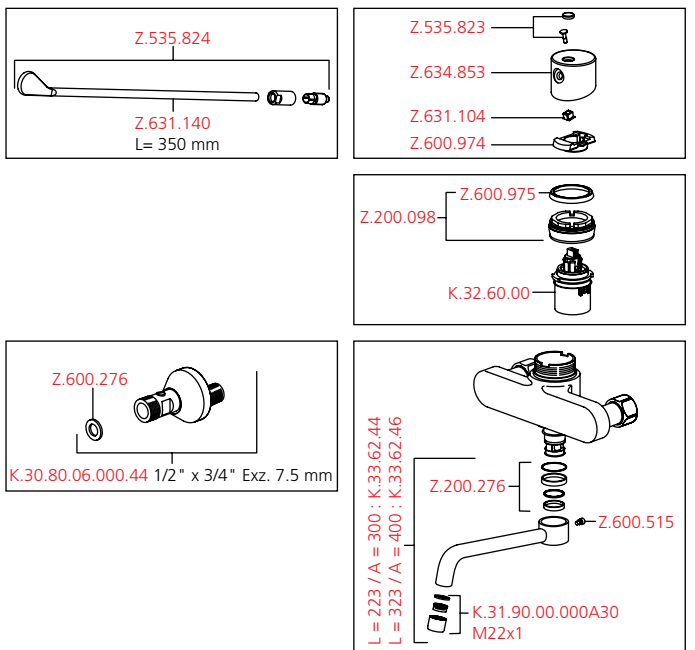


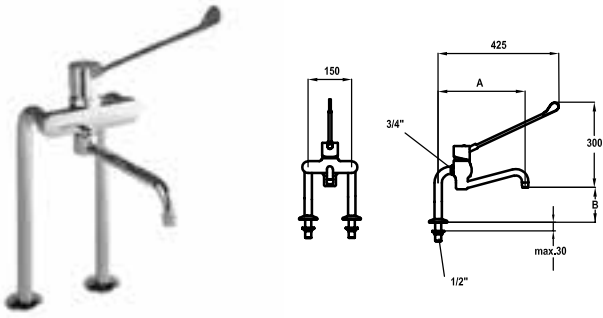
Article-No.	KWC-No.
<b>115.0315.672</b>	K.24.62.14.000B91
all chrome, AD 150 +/- 15 mm, A 300, B 60, with long lever	
<b>115.0315.673</b>	K.24.62.16.000B91
all chrome, AD 150 +/- 15 mm, A 400, B 35, with long lever	

**Two-handle mixer ■ Commercial kitchen**

- Lever mixer
- Swivel spout 120°
  - Neoperl® Cascade®
  - KWC cartridge L 39 - universal
  - with ceramic discs
  - flow rate and temperature continuously variable
  - temperature and flow rate limitation
  - Wall connections 1/2" x 3/4", with shut-off valve L 40 eccentric 7.5 mm

Flow rate 12 l/min (3 bar)  
Acoustic group I





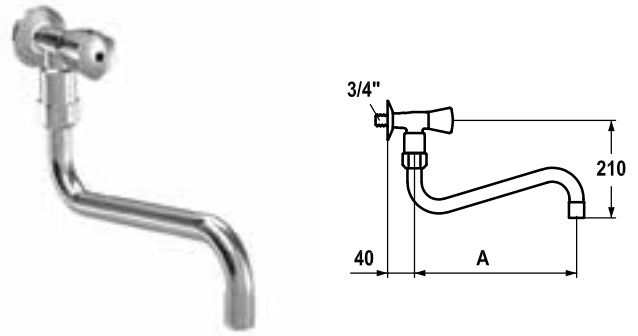
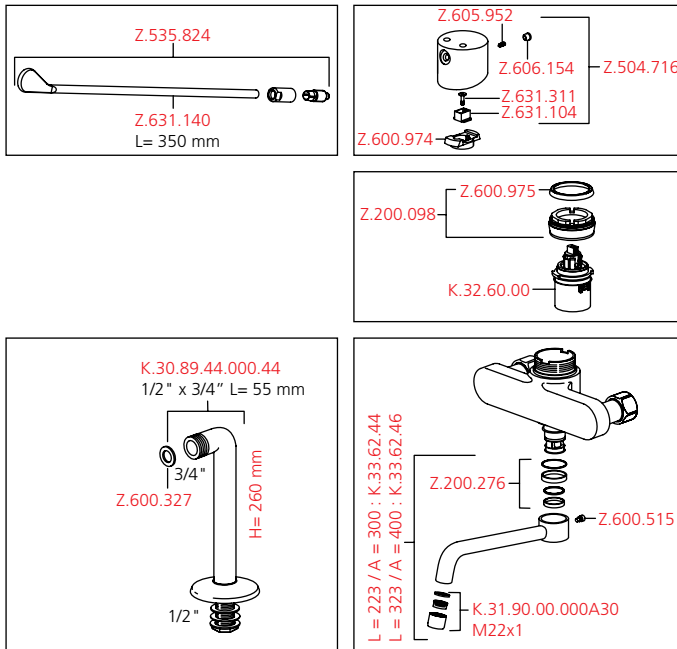
Article-No.	KWC-No.
<b>115.0315.674</b>	K.24.62.44.000B87
all chrome, AD 150, A 300, B 200, with long lever	
<b>115.0315.675</b>	K.24.62.46.000B87
all chrome, AD 150, A 400, B 227, with long lever	

**Lever mixer ■ Commercial kitchen**

Lever mixer

- Swivel spout 120°
  - Neoperl® Cascade®
- KWC cartridge L 39 - universal
  - with ceramic discs
  - flow rate and temperature continuously variable
  - temperature and flow rate limitation
- Pillar connections 1/2" x 3/4" L 55
- Mounting hole size ø22 mm

Flow rate 12 l/min (3 bar)  
Acoustic group I



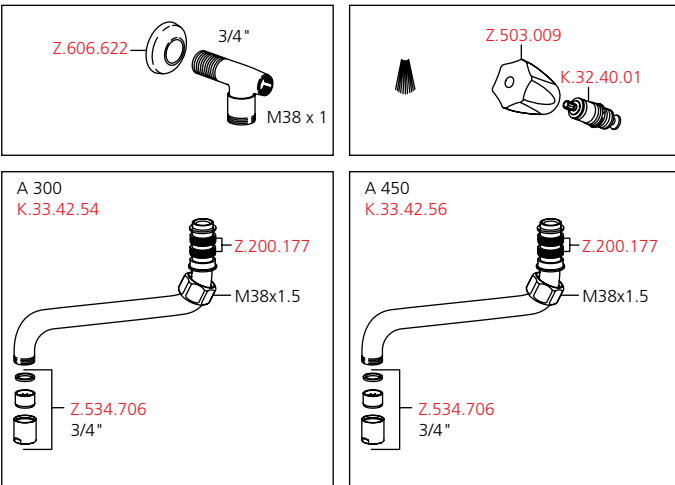
Article-No.	KWC-No.
<b>115.0315.659</b>	K.25.40.14.000C35
all chrome, A 300	
<b>115.0315.660</b>	K.25.40.16.000C35
all chrome, A 450	

**Commercial kitchen ■ Wall mounted valve**

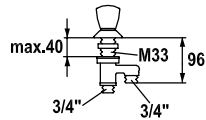
Wall mounted valve

- KWC CORONA metal handle, removable (cold water)
- Swivel spout
  - with adjustable gland
  - Jet regulator
- Flat valves M20 x 1.25
  - stainless steel valve seat
- Connecting thread 3/4"

Flow rate 86 l/min (3 bar)  
Acoustic group U





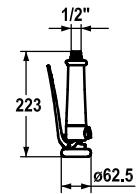


Article-No.	KWC-No.
<b>115.0315.671</b>	K.24.40.00.000C35
all chrome, G 3/4"	

### Shut-off valve

- KWC CORONA metal handle, removable (hot water to be requested when ordering)
- Flat valves M25 x 1.25  
– stainless steel valve seat
- Connecting thread 3/4"
- Fastening by means of threaded sleeve M33 x 1.5
- Mounting hole size ø35 mm

Flow rate 110 l/min (3 bar)  
Acoustic group U



Article-No.	KWC-No.
<b>133.0324.479</b>	Z.536.530.145
graphite gray	

### Pre-rinse spray

- with integrated delayed closing device to minimize water hammer
- with valve maintenance unit for cleaning
- Connecting thread 1/2"



Article-No.	KWC-No.
<b>133.0325.647</b>	Z.502.846.700
stainless steel, L 875	
<b>133.0325.630</b>	Z.502.868.700
stainless steel, L 1275	
<b>133.0325.631</b>	Z.502.869.700
stainless steel, L 1500	
<b>133.0324.455</b>	Z.502.844.700
stainless steel, L 1075	
<b>133.0325.632</b>	Z.502.845.700
stainless steel, L 2045	

### Shower hose for pre-rinse spray

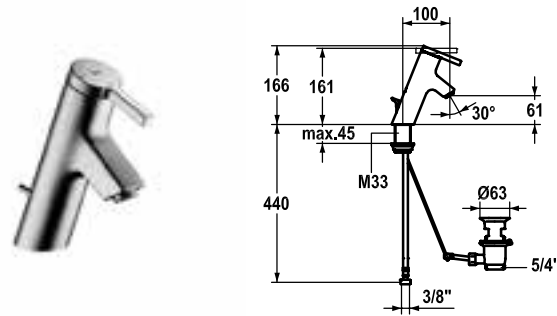
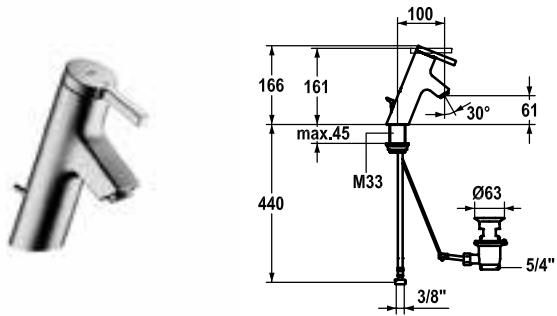
- Made of stainless steel
- Connecting thread 1/2"

# Faucets **for the bath**



**Faucets for the bath**

KWC AVA-S <b>New</b>	128
KWC AVA	129
KWC ZOE	142
KWC PIANA	149
KWC INTRO	161
KWC ONO	167
KWC ONO touch light PRO	183
KWC DOMO	197
KWC VITA	206
KWC VITA PRO	210
KWC Vertical shut-off valve	219
KWC VAROX	220
KWC Accessories	222



Article-No.	KWC-No.
<b>113.0392.924</b>	12.198.040.000FL
all chrome, A 100, flexible connection hoses, with pop-up valve	
<b>113.0392.926</b>	12.198.050.000FL
all chrome, A 100, flexible connection hoses, without pop-up valve	

Article-No.	KWC-No.
<b>113.0392.927</b>	12.191.030.000FL
all chrome, A 100, flexible connection hoses, with pop-up valve	
<b>113.0392.928</b>	12.191.070.000FL
all chrome, A 100, flexible connection hoses, without pop-up valve	

**Lever mixer ■ Basin**

Lever mixer

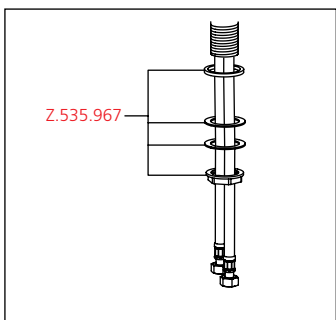
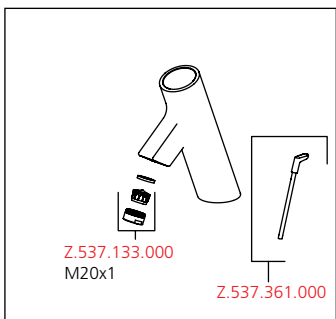
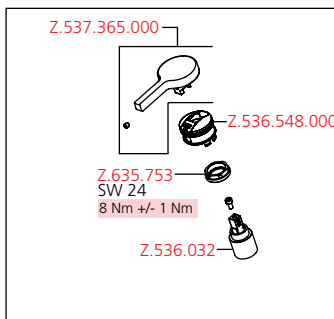
- Fixed spout
  - Neoperl® Perlator® SSR, swivelling jet regulator
- KWC cartridge S 25
  - with ceramic discs
  - flow rate and temperature continuously variable
- Flexible connection hoses 3/8"
- Fastening by means of threaded sleeve M33 x 1.5
- Mounting hole size ø35 mm

**Lever mixer ■ Basin ■ coolfix**

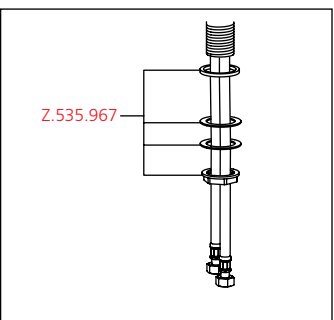
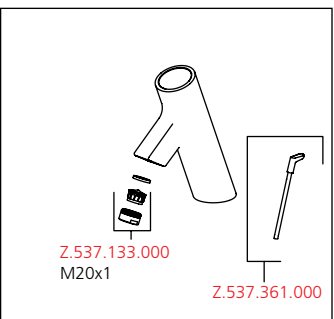
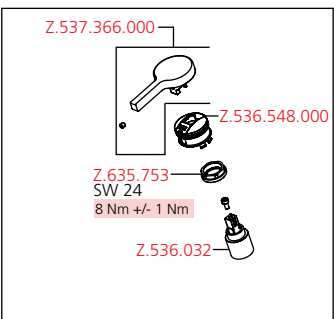
Lever mixer

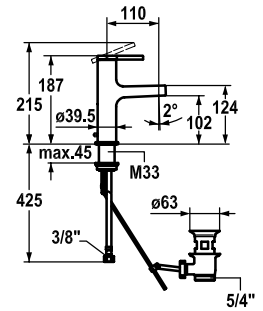
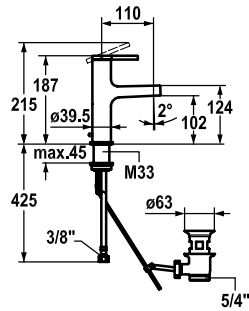
- Fixed spout
  - Neoperl® Perlator® SSR, swivelling jet regulator
- KWC cartridge S 25
  - with ceramic discs
  - flow rate and temperature continuously variable
- Flexible connection hoses 3/8"
- Fastening by means of threaded sleeve M33 x 1.5
- Mounting hole size ø35 mm

Flow rate 5 l/min (3 bar)



Flow rate 5 l/min (3 bar)





Article-No.	KWC-No.
<b>113.0315.818</b>	12.198.041.000FL
all chrome, A 110, flexible connection hoses, with pop-up valve	
<b>113.0315.819</b>	12.198.051.000FL
all chrome, A 110, flexible connection hoses, without pop-up valve	

Article-No.	KWC-No.
<b>113.0315.733</b>	12.191.031.000FL
all chrome, A 110, flexible connection hoses, with pop-up valve	
<b>113.0315.735</b>	12.191.071.000FL
all chrome, A 110, flexible connection hoses, without pop-up valve	

**Lever mixer ■ Basin**

Lever mixer

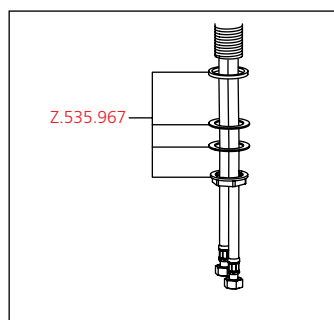
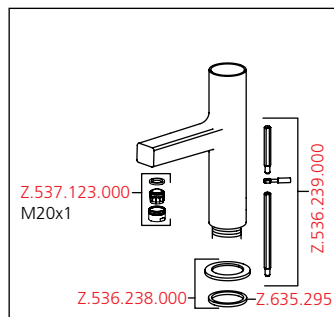
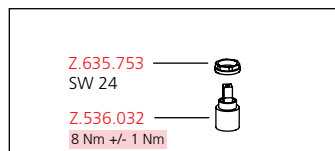
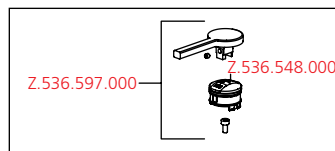
- Fixed spout
  - Neoperl® Perlator®
- KWC cartridge S 25
  - with ceramic discs
  - flow rate and temperature continuously variable
- Flexible connection hoses 3/8"
- Fastening by means of threaded sleeve M33 x 1.5
- Mounting hole size ø35 mm

**Lever mixer ■ Basin ■ coolfix**

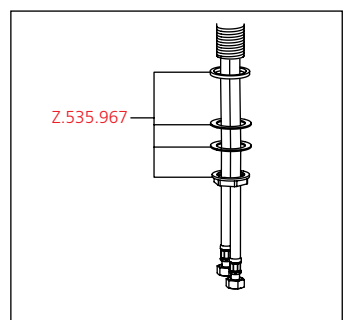
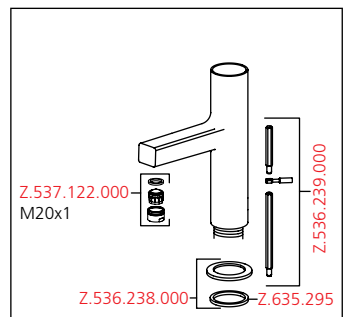
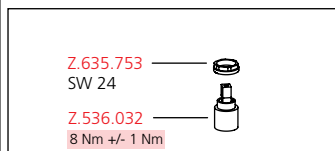
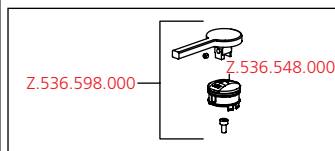
Lever mixer

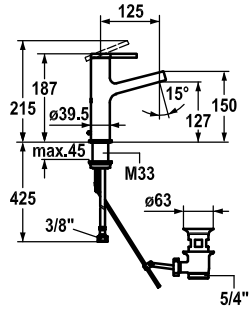
- COOLFIX - cold water flow in central lever position
- Fixed spout
  - Neoperl® Perlator®
- KWC cartridge S 25
  - with ceramic discs
  - flow rate and temperature continuously variable
- Flexible connection hoses 3/8"
- Fastening by means of threaded sleeve M33 x 1.5
- Mounting hole size ø35 mm

Flow rate 6 l/min (3 bar)  
Acoustic group I



Flow rate 7.5 l/min (3 bar)  
Acoustic group I





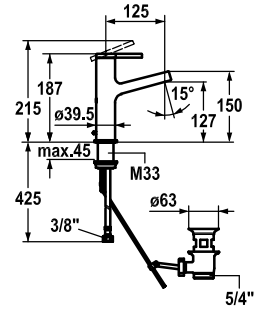
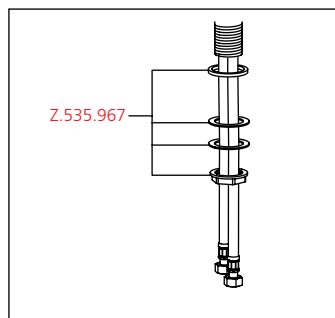
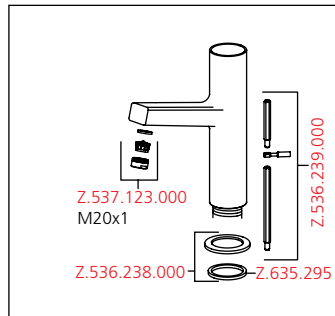
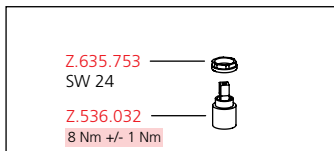
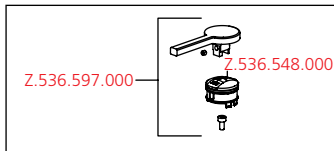
Article-No.	KWC-No.
<b>113.0315.820</b>	12.198.042.000FL
all chrome, A 125, flexible connection hoses, with pop-up valve	
<b>113.0315.821</b>	12.198.052.000FL
all chrome, A 125, flexible connection hoses, without pop-up valve	

**Lever mixer ■ Basin**

Lever mixer

- Fixed spout
  - Neoperl® Perlator®
- KWC cartridge S 25
  - with ceramic discs
  - flow rate and temperature continuously variable
- Flexible connection hoses 3/8"
- Fastening by means of threaded sleeve M33 x 1.5
- Mounting hole size ø35 mm

Flow rate 6 l/min (3 bar)  
Acoustic group I



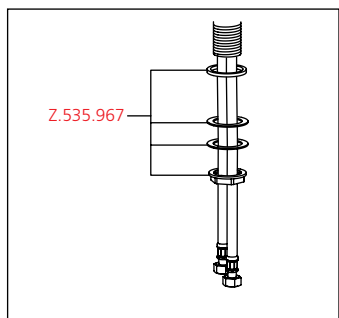
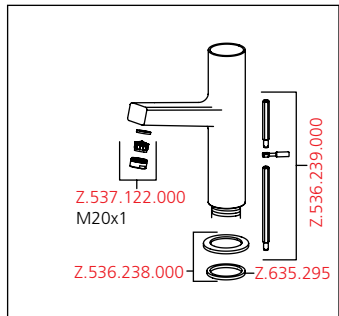
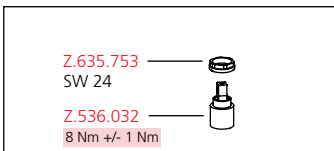
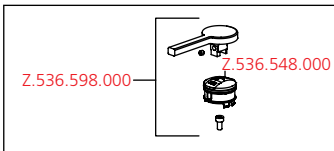
Article-No.	KWC-No.
<b>113.0315.722</b>	12.191.032.000FL
all chrome, A 125, flexible connection hoses, with pop-up valve	
<b>113.0315.724</b>	12.191.072.000FL
all chrome, A 125, flexible connection hoses, without pop-up valve	

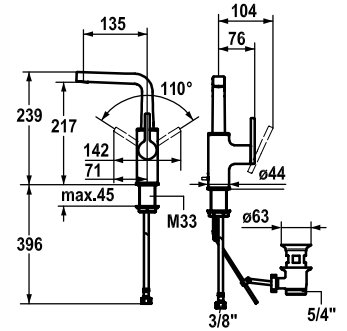
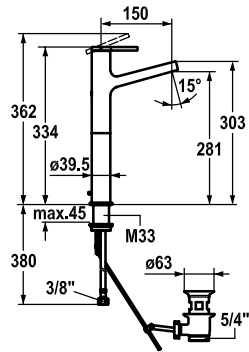
**Lever mixer ■ Basin ■ coolfix**

Lever mixer

- COOLFIX - cold water flow in central lever position
- Fixed spout
  - Neoperl® Caché®
- KWC cartridge S 25
  - with ceramic discs
  - flow rate and temperature continuously variable
- Flexible connection hoses 3/8"
- Fastening by means of threaded sleeve M33 x 1.5
- Mounting hole size ø35 mm

Flow rate 7.5 l/min (3 bar)  
Acoustic group I





Article-No.	KWC-No.
<b>113.0315.725</b>	12.191.393.000FL
all chrome, A 150, flexible connection hoses, with pop-up valve	
<b>113.0315.726</b>	12.191.093.000FL
all chrome, A 150, flexible connection hoses, without pop-up valve	

Article-No.	KWC-No.
<b>113.0315.822</b>	12.198.131.000FL
all chrome, A 135, flexible connection hoses, with pop-up valve	
<b>113.0315.823</b>	12.198.141.000FL
all chrome, A 135, flexible connection hoses, without pop-up valve	

**Lever mixer ■ Basin**

Lever mixer

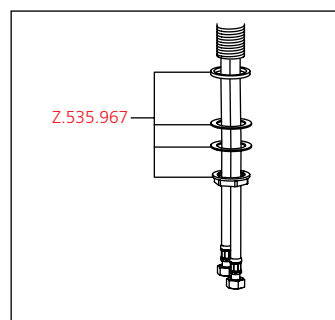
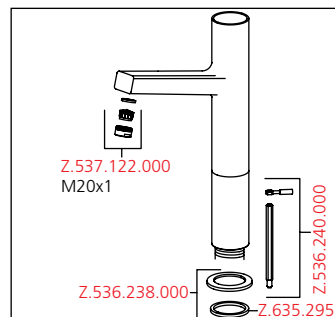
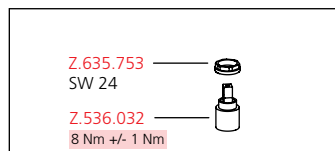
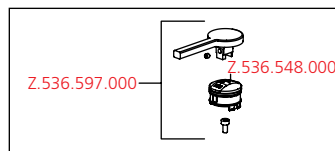
- For top-mounted basins
- Fixed spout
  - Neoperl® Perlator®
- KWC cartridge S 25
  - with ceramic discs
  - flow rate and temperature continuously variable
- Flexible connection hoses 3/8"
- Fastening by means of threaded sleeve M33 x 1.5
- Mounting hole size ø35 mm

**Lever mixer ■ Basin**

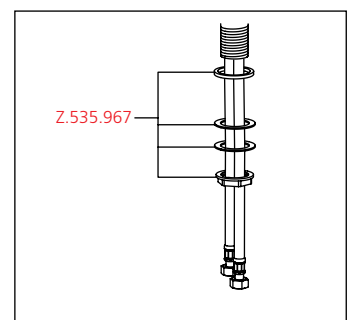
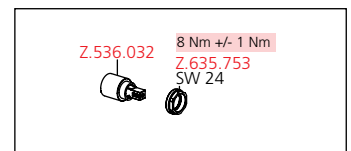
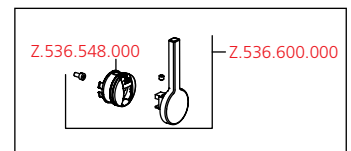
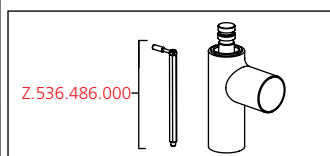
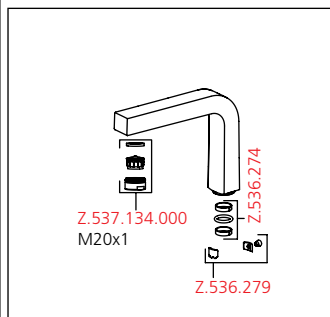
Lever mixer

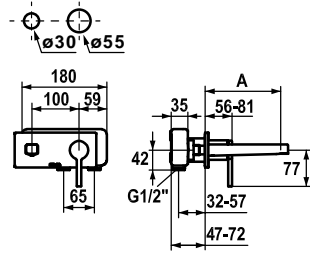
- Lever installation possible on the right or left side
- Swivel spout 180°
  - Neoperl® Perlator® SJR, swivelling jet regulator
- KWC cartridge S 25
  - with ceramic discs
  - flow rate and temperature continuously variable
- Flexible connection hoses 3/8"
- Fastening by means of threaded sleeve M33 x 1.5

Flow rate 7.5 l/min (3 bar)  
Acoustic group I



Flow rate 6 l/min (3 bar)  
Acoustic group I





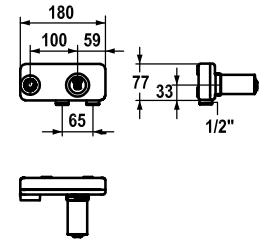
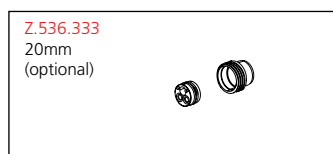
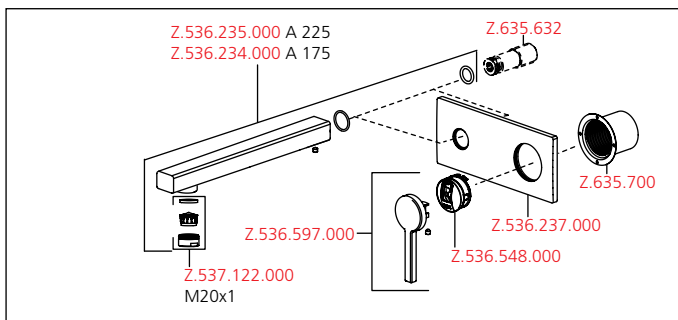
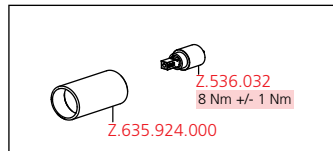
Article-No.	KWC-No.
<b>115.0308.205</b>	11.192.033.000
all chrome, A 175, Trim kit	
<b>115.0308.206</b>	11.192.034.000
all chrome, A 225, Trim kit	

**Trim kit ■ Lever mixer ■ Basin**

**Lever mixer**

- Fixed spout
  - Neoperl® Caché®
- KWC cartridge S 25
  - with ceramic discs
  - flow rate and temperature continuously variable
- To be ordered separately:
  - Unit for concealed installation 1/2" 39.193.400.931
  - To be ordered separately (optional or if necessary):
  - Extension set 20 mm Z.536.333

Flow rate 7.5 l/min (3 bar)  
Acoustic group I

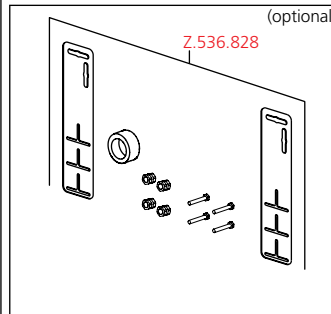


Article-No.	KWC-No.
<b>112.0308.149</b>	39.193.400.931
Concealed unit	

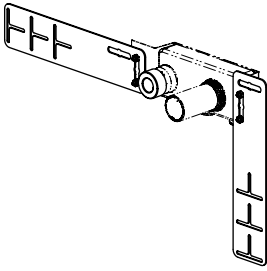
**Concealed unit**

**Concealed unit wall two hole**

- Connecting thread 1/2"
- To be ordered separately:
  - Installation kit Z.536.828



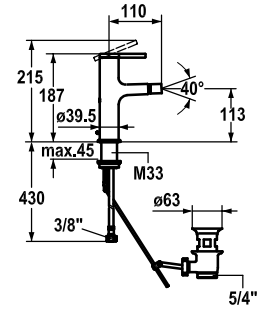




Article-No.	KWC-No.
<b>112.0362.929</b>	Z.536.828

**Installation kit**

- Installation kit
- Suitable for:
    - Concealed unit wall two hole

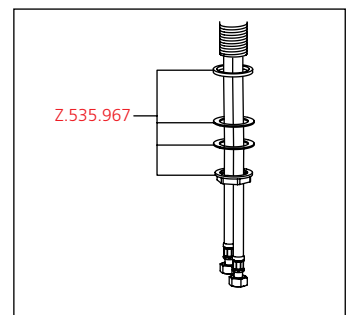
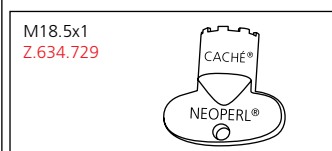
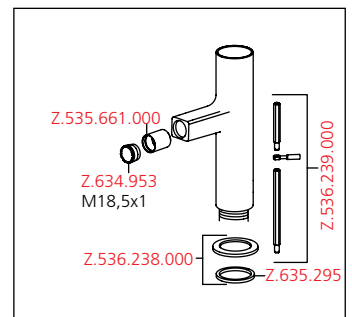
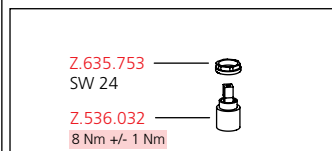
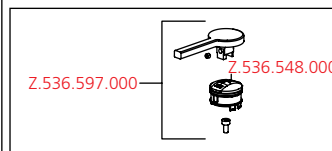


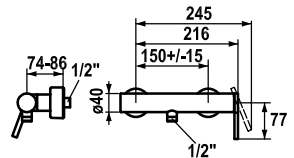
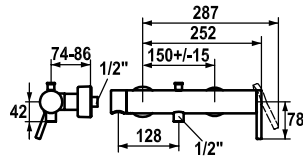
Article-No.	KWC-No.
<b>113.0315.727</b>	13.191.041.000FL
all chrome, A 110, flexible connection hoses, with pop-up valve	

**Lever mixer ▪ Bidet**

- Lever mixer
- Fixed spout
    - ball joint aerator Neoperl® Caché®
  - KWC cartridge S 25
    - with ceramic discs
    - flow rate and temperature continuously variable
  - Flexible connection hoses  $3/8''$
  - Fastening by means of threaded sleeve M33 x 1.5
  - Mounting hole size  $\varnothing 35$  mm

Flow rate 12 l/min (3 bar)  
Acoustic group I





Article-No.	KWC-No.
<b>113.0315.737</b>	20.192.440.000
all chrome, AD 150 +/- 15 mm, without hand shower and hose	

Article-No.	KWC-No.
<b>113.0315.736</b>	21.192.330.000
all chrome, AD 150 +/- 15 mm, without hand shower and hose	

**Lever mixer ■ Tub**

Lever mixer

- Diverter with automatic reset
- Intrinsically safe against backflow
- Rotatable spout 45°
  - Neoperl® Caché®
- KWC cartridge M 35
  - with ceramic discs
  - flow rate and temperature continuously variable
- Concealed wall connections 1/2" x 3/4", without shut-off valve L 46 eccentric 7.5 mm

**Lever mixer ■ Shower**

Lever mixer

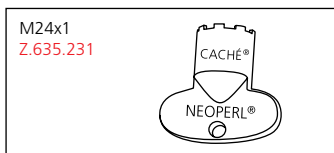
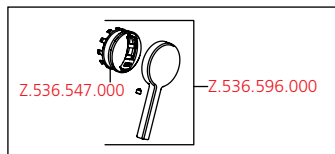
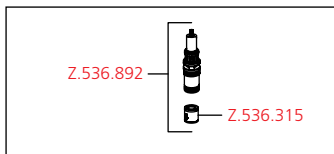
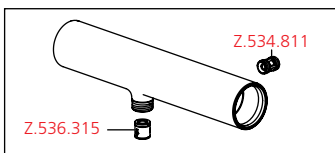
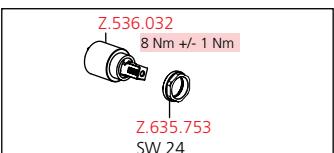
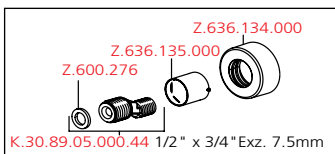
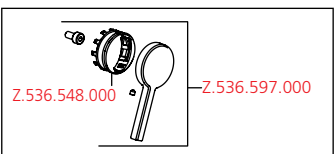
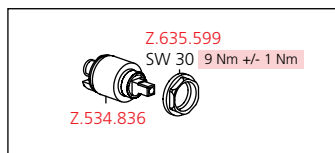
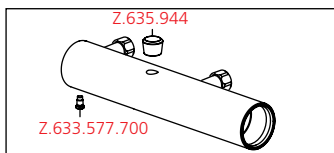
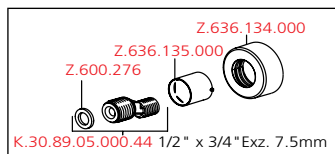
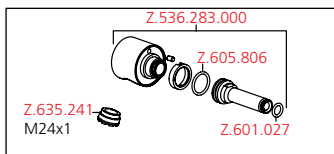
- Intrinsically safe against backflow
- KWC cartridge S 25
  - with ceramic discs
  - flow rate and temperature continuously variable
- Concealed wall connections 1/2" x 3/4", without shut-off valve L 46 eccentric 7.5 mm

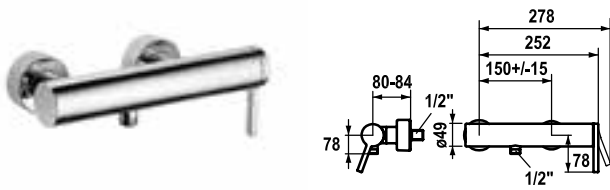
Flow rate 20 l/min (3 bar)

Acoustic group I

Spray outlet: Flow rate 14 l/min (3 bar)

Spray outlet: Acoustic group I





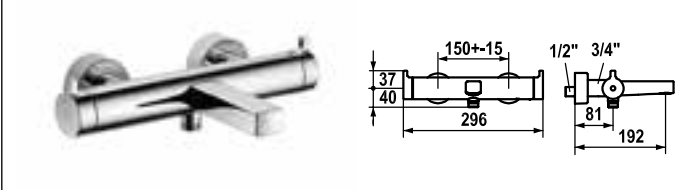
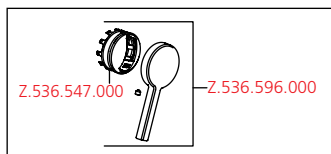
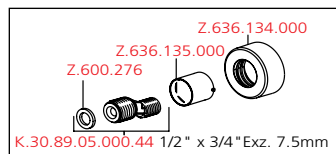
Article-No.	KWC-No.
<b>113.0315.841</b>	21.192.950.000
all chrome, AD 150 +/- 15 mm, without hand shower and hose	

**Lever mixer ■ Shower**

Lever mixer

- Intrinsically safe against backflow
- KWC cartridge M 35
  - with ceramic discs
  - flow rate and temperature continuously variable
- Concealed wall connections 1/2" x 3/4", without shut-off valve L 46 eccentric 7.5 mm

Spray outlet: Flow rate 16 l/min (3 bar)  
 Spray outlet: Acoustic group I

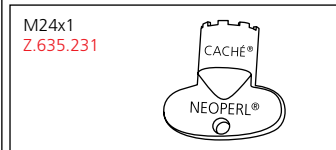
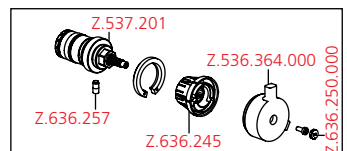
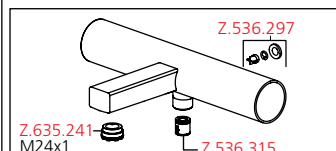
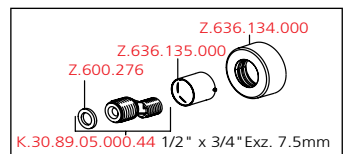
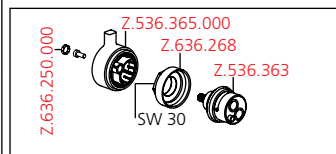
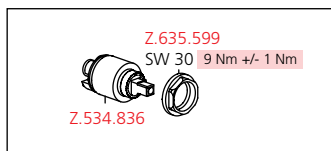
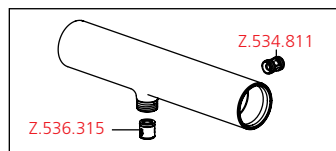


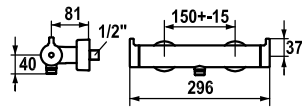
Article-No.	KWC-No.
<b>113.0396.244</b>	20.192.503.000
all chrome, AD 150 +/- 15 mm, A 190, without hand shower and hose	

**Thermostatic mixer ■ Tub**

Thermostat

- smartControl - water-saving device
- touchControl - the body of the mixer does not become hot
- hotControl - temperature handle with safety stop button 38°C
- Turning handle to control flow and for diverter
- Intrinsically safe against backflow
- Fixed spout
  - Neoperl® Caché®
- Thermostatic precision control unit
  - constant water temperature (even when mains pressure fluctuates)
  - fast response
- Concealed wall connections 1/2" x 3/4", without shut-off valve L 46 eccentric 7.5 mm



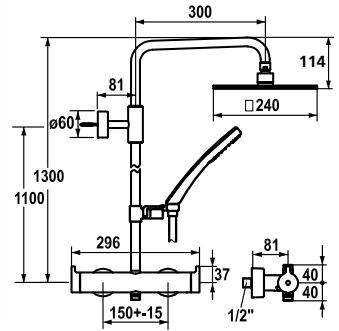
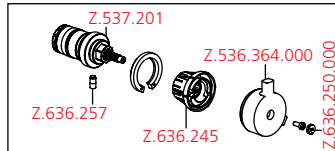
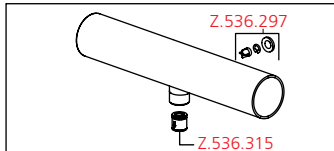
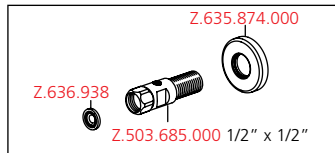
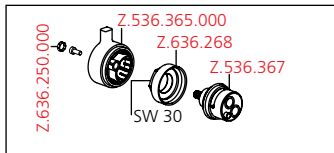


Article-No.	KWC-No.
<b>113.0396.195</b>	21.192.500.000
all chrome, AD 150 +/- 15 mm, without hand shower and hose	

**Thermostatic mixer ■ Shower**

**Thermostat**

- smartControl - water-saving device
- touchControl - the body of the mixer does not become hot
- hotControl - temperature handle with safety stop button 38°C
- Turning handle to control flow
- Intrinsically safe against backflow
- Thermostatic precision control unit
  - constant water temperature (even when mains pressure fluctuates)
  - fast response
- Concealed wall connections 1/2" x 3/4", without shut-off valve L 46 eccentric 7.5 mm

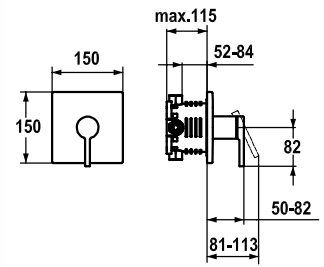
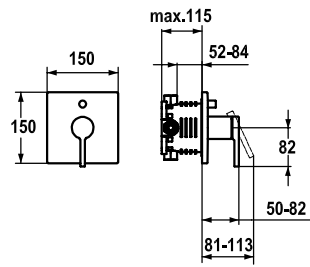


Article-No.	KWC-No.
<b>112.0396.211</b>	26.196.213.000
all chrome, AD 150 +/- 15 mm, A 300, with hand shower and hose	

**Thermostatic mixer ■ Shower system**

**Shower system KWC AVA**

- smartControl - water-saving device
- touchControl - the body of the mixer does not become hot
- touchControl - the water-bearing sliding wall bar does not become hot, can be shortened to any individual length as required
- touchControl - hand shower does not become hot
- Swiveling bracket, shower head with ball joint
- hotControl - temperature handle with safety stop button 38°C
- Turning handle to control flow and for diverter
- KWC ball joint bracket, elevation adjustment lockable
- Tube diameter 20 mm
- Intrinsically safe against backflow
- Easy to install on existing connections
- Thermostatic precision control unit
  - constant water temperature (even when mains pressure fluctuates)
  - fast response
- Concealed wall connections 1/2" x 3/4", without shut-off valve L 46 eccentric 7.5 mm
- Scope of delivery:
  - Thermostat incl. wall connections with outlet (top) for water-bearing sliding wall bar
  - Hand shower KWC BOSSANOVA mono 26.000.111.040
  - Shower hose 1800 mm, plastic 26.001.014.000
  - Shower head KWC PIATTO Q240
  - Sliding wall bar kit 26.004.003.000
  - Shower guide rod holder (top), for connecting guide rod and spray arm



Article-No.	KWC-No.
<b>113.0315.728</b>	20.194.580.000
all chrome, Trim kit	
<b>113.0315.762</b>	20.194.590.000
all chrome, Trim kit, with vacuum breaker	

Article-No.	KWC-No.
<b>113.0315.730</b>	21.194.580.000
all chrome, Trim kit	

**Trim kit ■ Lever mixer ■ Tub**

Trim kit with function unit

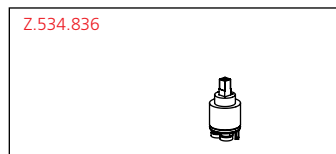
- Outflow top and below
- Pressure diversion
- Diverter with automatic reset
- KWC cartridge M 35
  - with ceramic discs
  - flow rate and temperature continuously variable
- Scope of delivery:
  - Function unit, lever, cap, sleeve, cover plate, diverter
  - Fastening of the cover plate without screws
- To be ordered separately:
  - Unit for concealed installation KWC VAROX ½" 39.999.300.931, with shut-off valves

**Trim kit ■ Lever mixer ■ Shower**

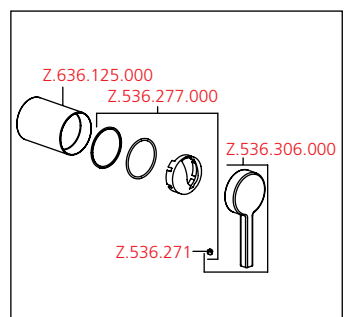
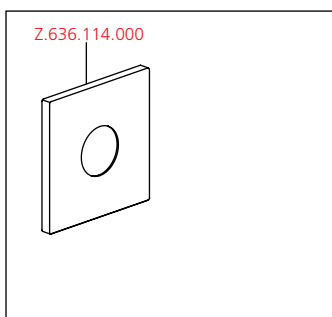
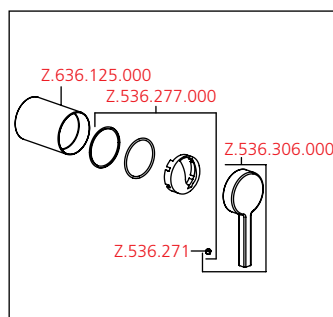
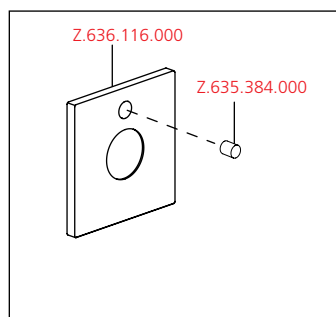
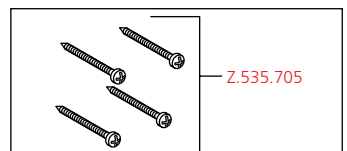
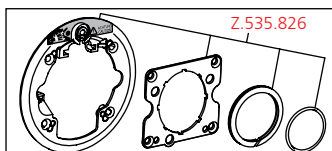
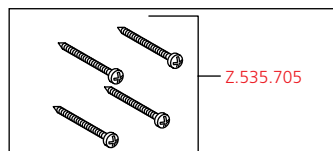
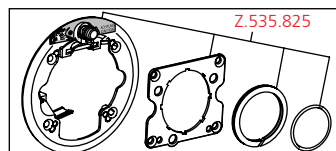
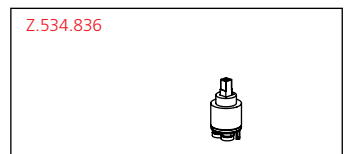
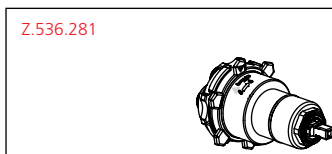
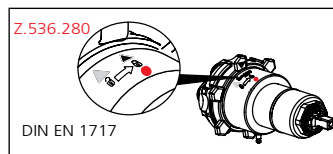
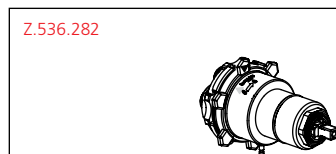
Trim kit with function unit

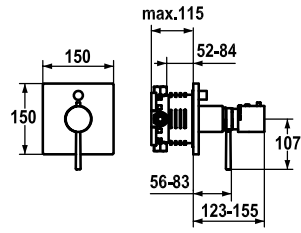
- Outflow top or below
- KWC cartridge M 35
  - with ceramic discs
  - flow rate and temperature continuously variable
- Scope of delivery:
  - Function unit, lever, cap, sleeve, cover plate
  - Fastening of the cover plate without screws
- To be ordered separately:
  - Unit for concealed installation KWC VAROX ½" 39.999.300.931, with shut-off valves

Flow rate 20 l/min (3 bar)  
Acoustic group I



Flow rate 20 l/min (3 bar)  
Acoustic group I





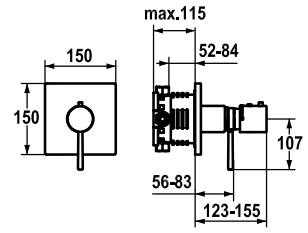
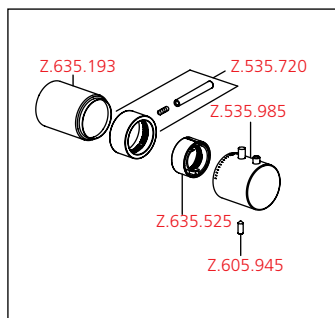
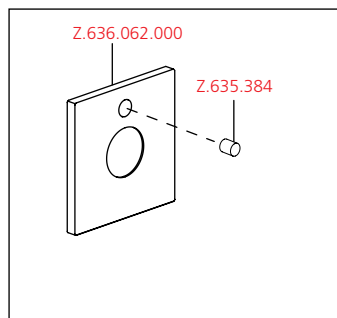
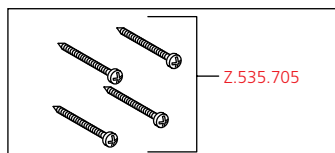
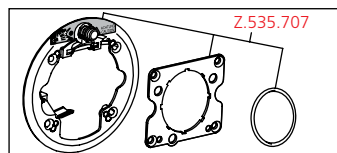
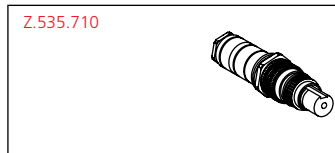
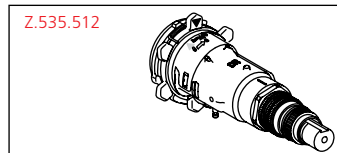
Article-No.	KWC-No.
<b>113.0315.729</b>	20.194.480.000
all chrome, Trim kit	

**Trim kit ■ Thermostatic mixer ■ Tub**

Trim kit with thermostatic function unit

- Outflow top and below
- Pressure diversion
- hotControl - temperature handle with safety stop button 38°C
- Diverter with automatic reset
- Intrinsicly safe against backflow
- Scope of delivery:
  - Function unit, flow rate adjustment lever, temperature lever, sleeve, cover plate, holder for escutcheon
  - Fastening of the cover plate without screws
- To be ordered separately:
  - Unit for concealed installation KWC VAROX ½" 39.999.300.931, with shut-off valves

Flow rate 21 l/min (3 bar)  
Acoustic group I



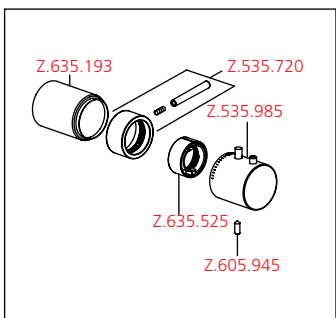
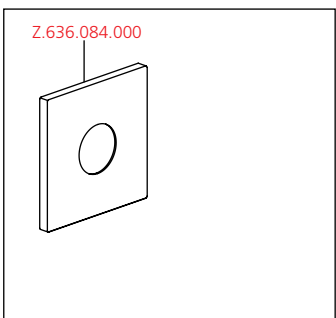
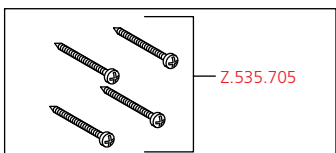
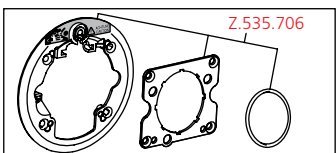
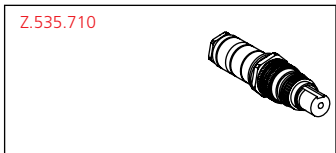
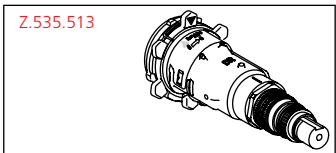
Article-No.	KWC-No.
<b>113.0315.731</b>	21.194.480.000
all chrome, Trim kit	

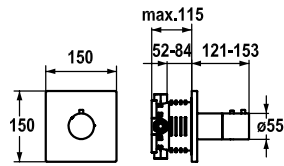
**Trim kit ■ Thermostatic mixer ■ Shower**

Trim kit with thermostatic function unit

- Outflow top or below
- hotControl - temperature handle with safety stop button 38°C
- Intrinsicly safe against backflow
- Scope of delivery:
  - Function unit, flow rate adjustment lever, temperature lever, sleeve, cover plate, holder for escutcheon, diverter
  - Fastening of the cover plate without screws
- To be ordered separately:
  - Unit for concealed installation KWC VAROX ½" 39.999.300.931, with shut-off valves

Flow rate 21 l/min (3 bar)  
Acoustic group I





Article-No.	KWC-No.
<b>113.0315.757</b>	21.194.600.000
all chrome, Trim kit	

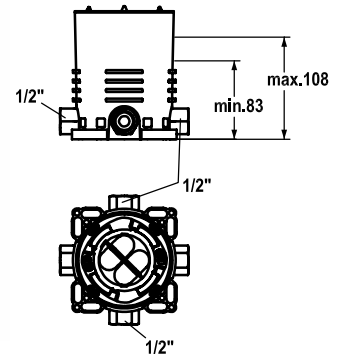
**Trim kit ■ Thermostatic mixer ■ Shower**

Trim kit with thermostatic function unit

- Without diverter
- Without volume control
- Outflow top or below
- hotControl - temperature handle with safety stop button 38°C
- Intrinsically safe against backflow
- To be ordered separately:
  - Unit for concealed installation KWC VAROX ½" 39.999.300.931, with shut-off valves

Flow rate 21 l/min (3 bar)  
Acoustic group I

<p>Z.536.480</p>	<p>Z.636.060</p>	<p>Z.535.701</p>	<p>Z.535.702</p>
<p>Z.535.706</p>	<p>Z.535.705</p>	<p>Z.635.179</p>	<p>Z.535.703</p>
<p>Z.636.084.000</p>	<p>Z.636.427.000</p> <p>Z.535.985</p> <p>Z.636.428</p> <p>Z.605.945.700</p>	<p>Z.635.180</p>	

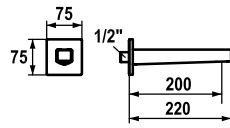


Article-No.	KWC-No.
<b>112.0315.787</b>	39.999.300.931
Concealed unit	

**Concealed unit**

Concealed unit compact

- Integrated shut-off valves cold and hot water
- Connecting thread ½" (stopper ½" incl. in delivery)
- Scope of delivery:
  - Installation box and cover sleeve, plastic incl. sleeve gasket
  - Multifix fastening system
- To be ordered separately (optional or if necessary):
  - Extension set 20 mm Z.535.719



Article-No.	KWC-No.
<b>112.0315.806</b>	26.191.073.000
all chrome, A 200	

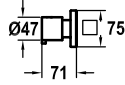
### Bathtub spout

#### Bathtub spout

- Fixed spout
  - Neoperl® Caché®
- Connecting thread 1/2"
- Suitable for:
  - KWC AVA

Flow rate 27 l/min (3 bar)  
Acoustic group I

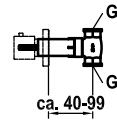




Article-No.	KWC-No.
<b>112.0315.814</b>	27.190.050.000
all chrome, Trim kit	

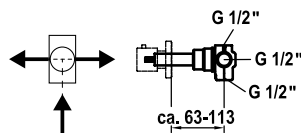
### Trim kit

- for shut-off valve
- for multiport shut-off valve
- To be ordered separately:
  - Unit for concealed installation



Article-No.	KWC-No.
<b>112.0315.810</b>	K.38.93.00.931.34
G 1/2", Concealed unit	
<b>112.0315.785</b>	K.38.H3.70.931A35
G 3/4", Concealed unit	

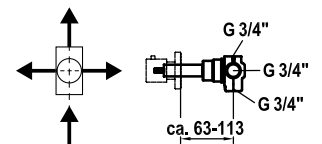
### Concealed unit for shut-off valve



Article-No.	KWC-No.
<b>112.0315.811</b>	39.990.011.931
G 1/2", Concealed unit	

### Concealed unit for multiport shut-off valve

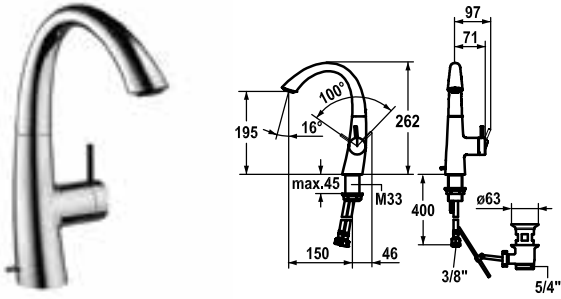
- With shut-off valve
- 1 mixed water inlet, 2 outlets
- Connecting thread 1/2"



Article-No.	KWC-No.
<b>112.0315.786</b>	39.990.010.931
G 3/4", Concealed unit	

### Concealed unit for multiport diverter

- Without shut-off valve
- 1 mixed water inlet, 3 outlets
- Connecting thread 3/4"



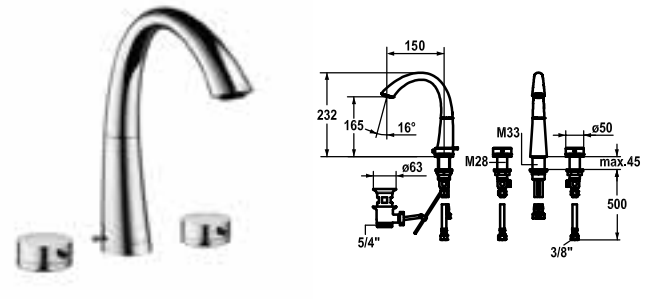
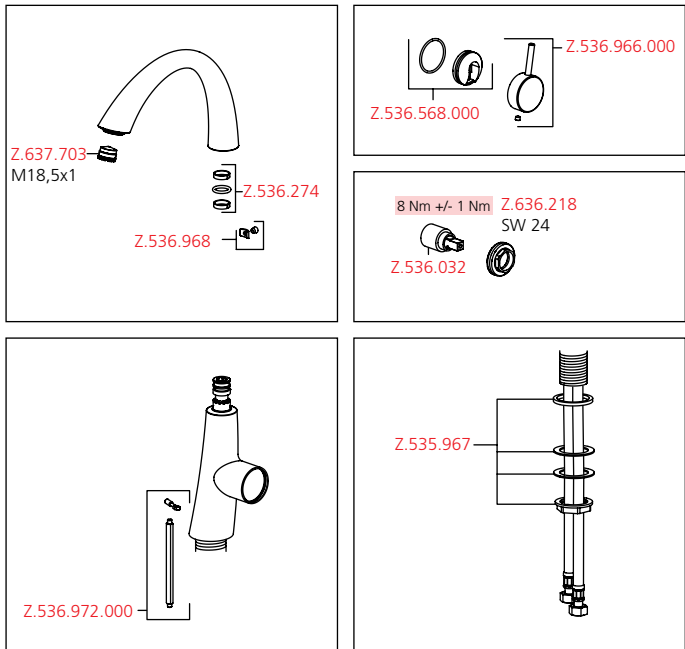
Article-No.	KWC-No.
<b>113.0360.384</b>	12.208.131.000FL
all chrome, A 150, flexible connection hoses, with pop-up valve	
<b>113.0360.385</b>	12.208.141.000FL
all chrome, A 150, flexible connection hoses, without pop-up valve	

**Lever mixer ■ Basin**

Lever mixer

- Lever installation only possible on the right side
  - Child safety: cold water flow in lever position towards the front
- gap between wall and centre of mounting hole min. 45 mm
- Swivel spout 90°
  - Neoperl® Caché®
- KWC cartridge S 25
  - with ceramic discs
  - flow rate and temperature continuously variable
- Flexible connection hoses 3/8"
- Fastening by means of threaded sleeve M33 x 1.5
- Mounting hole size ø35 mm

Flow rate 6 l/min (3 bar)  
Acoustic group I



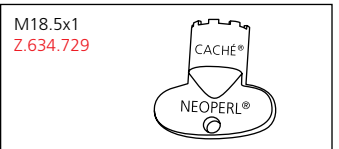
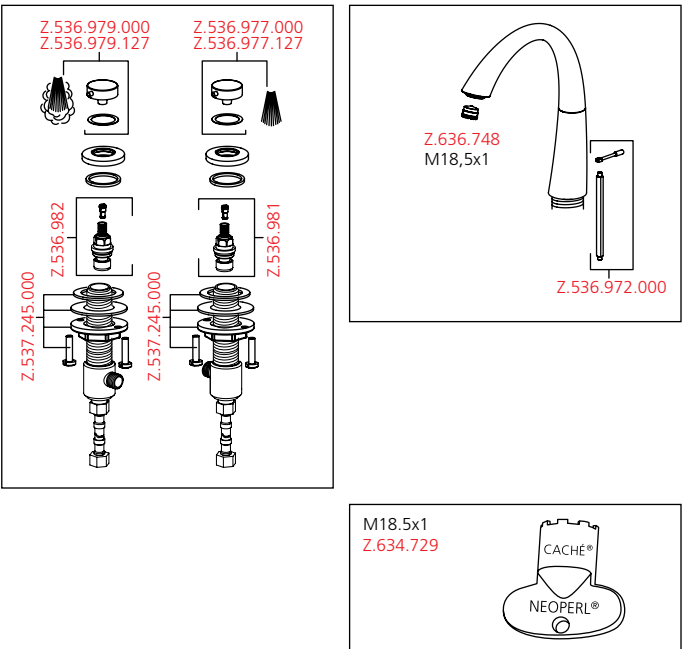
Article-No.	KWC-No.
<b>113.0360.381</b>	12.203.151.000FL
all chrome, A 150, flexible connection hoses, with pop-up valve	
<b>113.0360.383</b>	12.203.161.000FL
all chrome, A 150, flexible connection hoses, without pop-up valve	

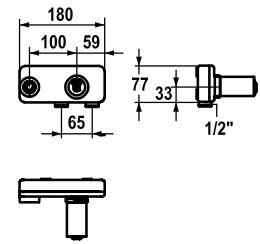
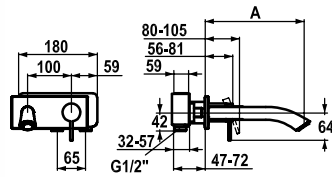
**Two-handle mixer ■ Basin**

Two-handle mixer

- 3-hole
- Swivel spout 90°
  - Neoperl® Caché®
- Flexible connection hoses 3/8"
- Fastening by means of threaded sleeve M33 x 1.5 / M28 x 1.5
- Mounting hole size ø35 mm / ø30 mm

Flow rate 6 l/min (3 bar)  
Acoustic group I





Article-No.	KWC-No.
<b>113.0360.379</b>	11.202.033.000
all chrome, A 175, Trim kit	
<b>113.0360.380</b>	11.202.034.000
all chrome, A 225, Trim kit	

Article-No.	KWC-No.
<b>112.0308.149</b>	39.193.400.931
Concealed unit	

**Trim kit ■ Lever mixer ■ Basin**

**Lever mixer**

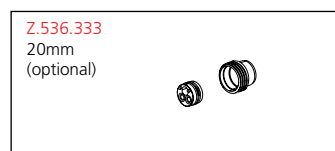
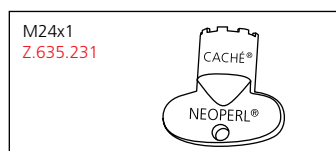
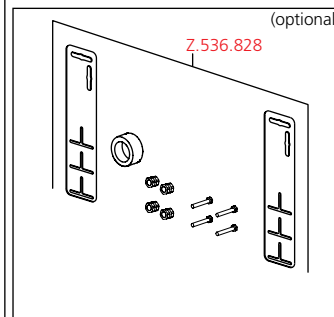
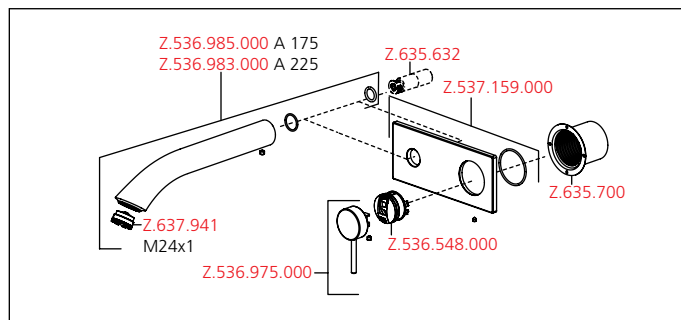
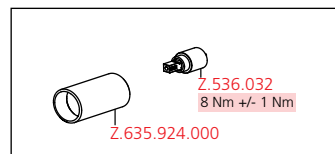
- Fixed spout
  - Neoperl® Caché®
- KWC cartridge S 25
  - with ceramic discs
  - flow rate and temperature continuously variable
- To be ordered separately:
  - Unit for concealed installation 1/2" 39.193.400.931
- To be ordered separately (optional or if necessary):
  - Extension set 20 mm Z.536.333

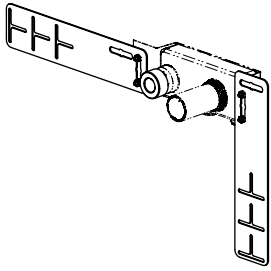
**Concealed unit**

**Concealed unit wall two hole**

- Connecting thread 1/2"
- To be ordered separately:
  - Installation kit Z.536.828

Flow rate 5 l/min (3 bar)  
Acoustic group I

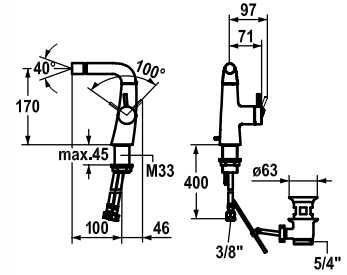




Article-No.	KWC-No.
<b>112.0362.929</b>	Z.536.828

**Installation kit**

- Installation kit
- Suitable for:
    - Concealed unit wall two hole

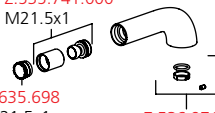
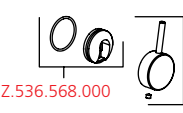
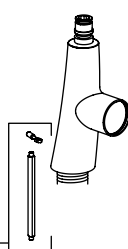

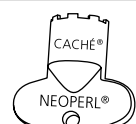
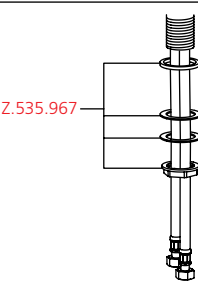


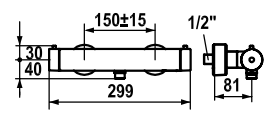
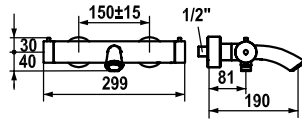
Article-No.	KWC-No.
<b>113.0360.386</b>	13.201.041.000FL
all chrome, A 100, flexible connection hoses, with pop-up valve	

**Lever mixer ▪ Bidet**

- Lever mixer
- Lever installation only possible on the right side
    - Child safety: cold water flow in lever position towards the front
  - gap between wall and centre of mounting hole min. 45 mm
  - Fixed spout
    - ball joint aerator Neoperl® Caché®
  - KWC cartridge S 25
    - with ceramic discs
    - flow rate and temperature continuously variable
  - Flexible connection hoses 3/8"
  - Fastening by means of threaded sleeve M33 x 1.5

Flow rate 5 l/min (3 bar)  
Acoustic group I

<p>Z.535.741.000 M21.5x1</p>  <p>Z.635.698 M21.5x1</p> <p>Z.536.971</p>	 <p>Z.536.966.000</p> <p>Z.536.568.000</p>
 <p>Z.536.972.000</p>	<p>8 Nm +/- 1 Nm</p> <p>Z.636.218 SW 24</p>  <p>Z.536.032</p>
<p>M21.5x1</p> <p>Z.635.215</p> 	 <p>Z.535.967</p>



Article-No.	KWC-No.
<b>113.0396.245</b>	20.202.503.000
all chrome, AD 150 +/- 15 mm, A 190, without hand shower and hose	

Article-No.	KWC-No.
<b>113.0396.255</b>	21.202.500.000
all chrome, AD 150 +/- 15 mm, without hand shower and hose	

**Thermostatic mixer ▀ Tub**

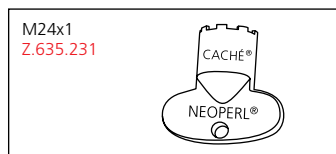
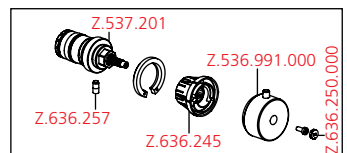
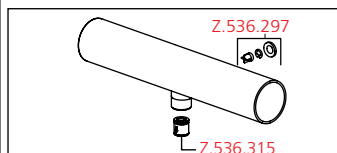
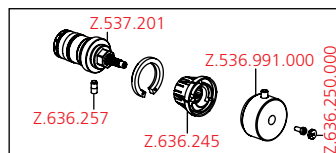
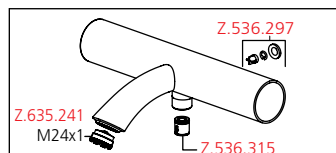
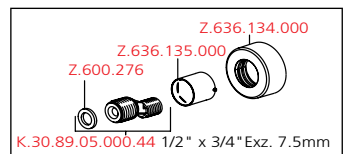
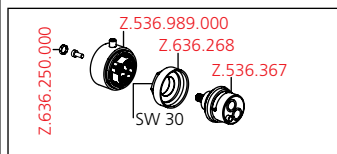
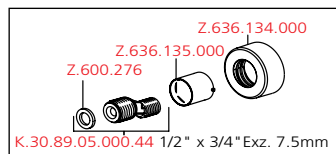
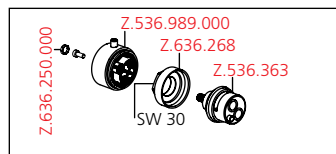
Thermostat

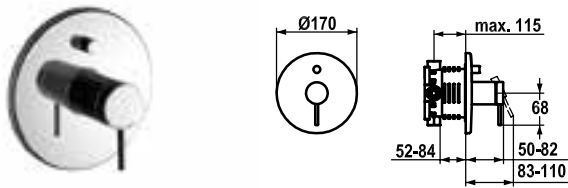
- smartControl - water-saving device
- touchControl - the body of the mixer does not become hot
- hotControl - temperature handle with safety stop button 38°C
- Turning handle to control flow and for diverter
- Intrinsically safe against backflow
- Fixed spout
  - Neoperl® Caché®
- Thermostatic precision control unit
  - constant water temperature (even when mains pressure fluctuates)
  - fast response
- Concealed wall connections 1/2" x 3/4", with shut-off valve

**Thermostatic mixer ▀ Shower**

Thermostat

- smartControl - water-saving device
- touchControl - the body of the mixer does not become hot
- hotControl - temperature handle with safety stop button 38°C
- Turning handle to control flow
- Intrinsically safe against backflow
- Thermostatic precision control unit
  - constant water temperature (even when mains pressure fluctuates)
  - fast response
- Concealed wall connections 1/2" x 1/2", with shut-off valve





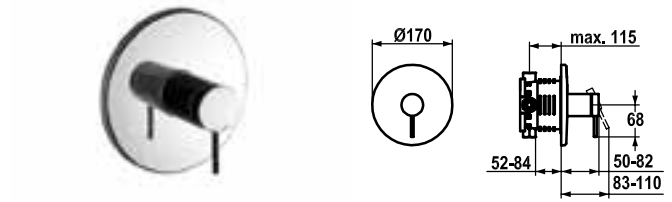
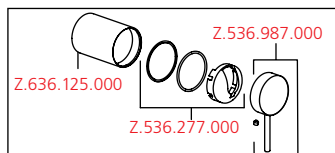
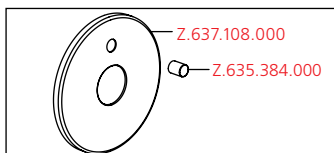
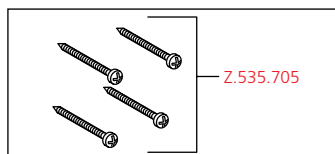
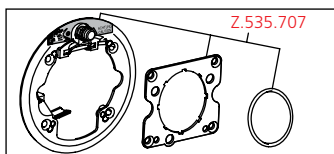
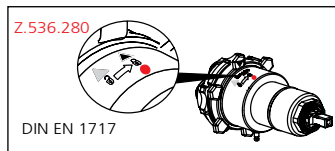
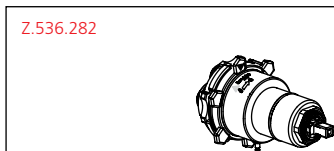
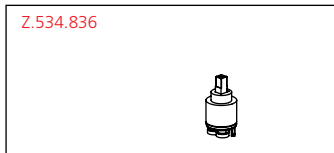
Article-No.	KWC-No.
<b>113.0360.389</b>	20.204.580.000
all chrome, Trim kit	
<b>113.0360.390</b>	20.204.590.000
all chrome, Trim kit, with vacuum breaker	

**Trim kit ■ Lever mixer ■ Tub**

Trim kit with function unit

- Outflow top and below
- Pressure diversion
- Diverter with automatic reset
- KWC cartridge M 35
  - with ceramic discs
  - flow rate and temperature continuously variable
- Scope of delivery:
  - Function unit, lever, cap, sleeve, cover plate, diverter
  - Fastening of the cover plate without screws
- To be ordered separately:
  - Unit for concealed installation KWC VAROX ½" 39.999.300.931, with shut-off valves

Flow rate 21 l/min (3 bar)  
Acoustic group I



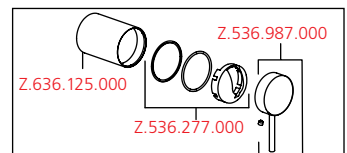
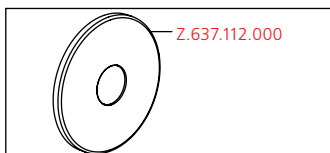
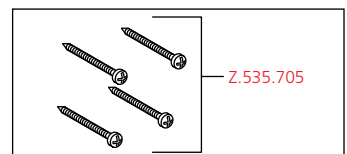
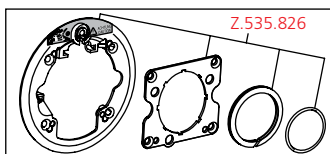
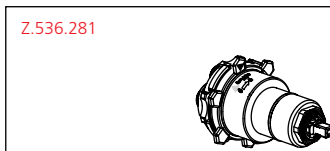
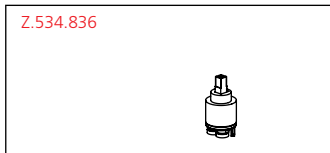
Article-No.	KWC-No.
<b>113.0360.394</b>	21.204.580.000
all chrome, Trim kit	

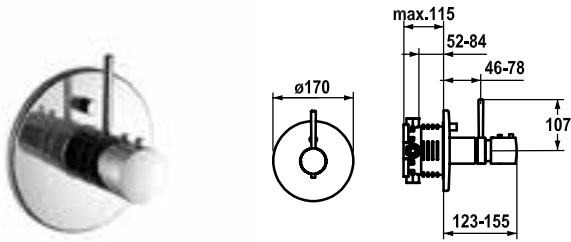
**Trim kit ■ Lever mixer ■ Shower**

Trim kit with function unit

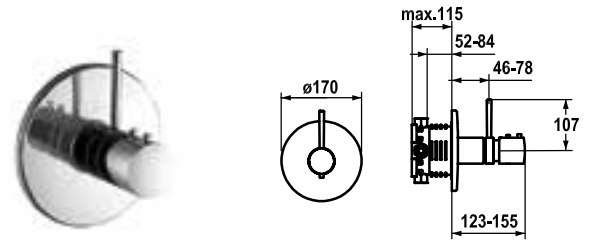
- Outflow top or below
- KWC cartridge M 35
  - with ceramic discs
  - flow rate and temperature continuously variable
- Scope of delivery:
  - Function unit, lever, cap, sleeve, cover plate
  - Fastening of the cover plate without screws
- To be ordered separately:
  - Unit for concealed installation KWC VAROX ½" 39.999.300.931, with shut-off valves

Flow rate 21 l/min (3 bar)  
Acoustic group I





Article-No.	KWC-No.
<b>113.0360.388</b>	20.204.480.000
all chrome, Trim kit	



Article-No.	KWC-No.
<b>113.0360.393</b>	21.204.480.000
all chrome, Trim kit	

**Trim kit ■ Thermostatic mixer ■ Tub**

Trim kit with thermostatic function unit

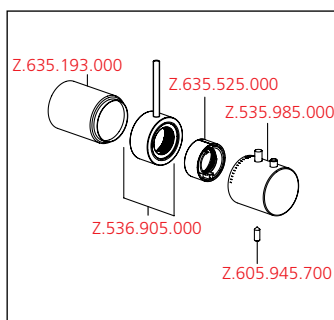
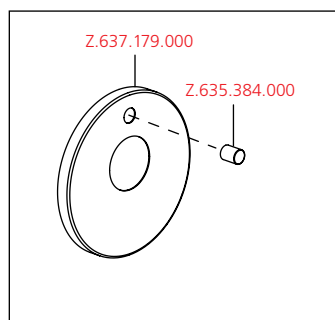
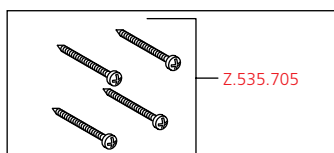
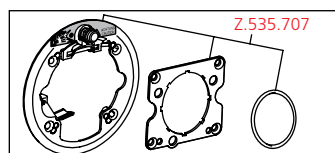
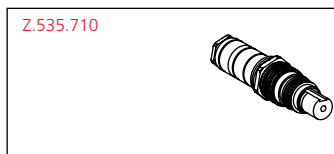
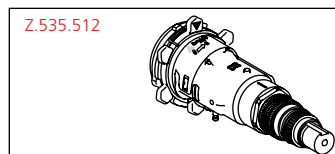
- Outflow top and below
- Pressure diversion
- hotControl - temperature handle with safety stop button 38°C
- Diverter with automatic reset
- Intrinsicly safe against backflow
- Scope of delivery:
  - Function unit, flow rate adjustment lever, temperature lever, sleeve, cover plate, holder for escutcheon
  - Fastening of the cover plate without screws
- To be ordered separately:
  - Unit for concealed installation KWC VAROX ½" 39.999.300.931, with shut-off valves

**Trim kit ■ Thermostatic mixer ■ Shower**

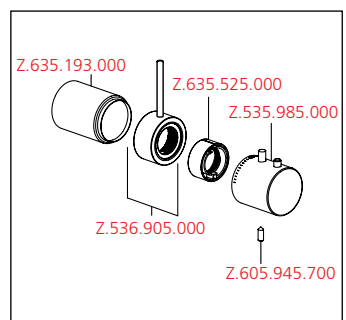
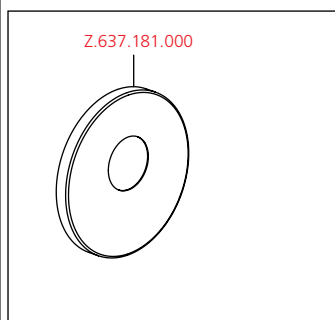
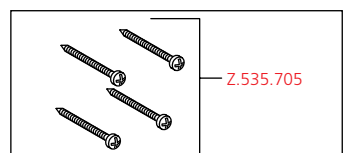
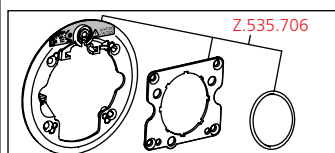
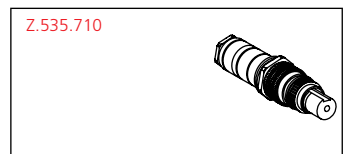
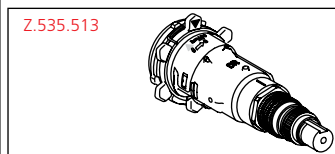
Trim kit with thermostatic function unit

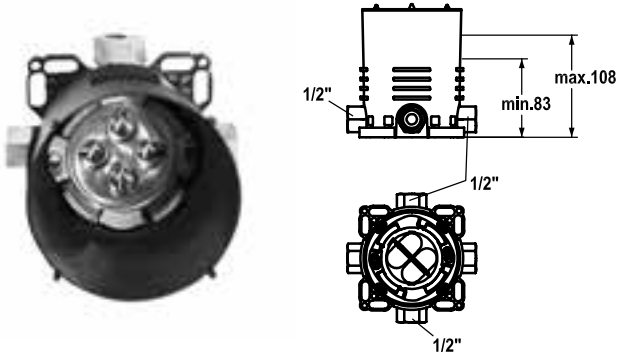
- Outflow top or below
- hotControl - temperature handle with safety stop button 38°C
- Intrinsicly safe against backflow
- Scope of delivery:
  - Function unit, flow rate adjustment lever, temperature lever, sleeve, cover plate, holder for escutcheon, diverter
  - Fastening of the cover plate without screws
- To be ordered separately:
  - Unit for concealed installation KWC VAROX ½" 39.999.300.931, with shut-off valves

Flow rate 21 l/min (3 bar)  
Acoustic group I



Flow rate 21 l/min (3 bar)  
Acoustic group I





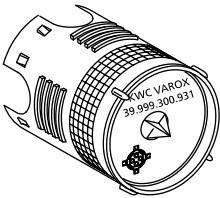
Article-No.	KWC-No.
<b>112.0315.787</b>	39.999.300.931
Concealed unit	

### Concealed unit

#### Concealed unit compact

- Integrated shut-off valves cold and hot water
- Connecting thread 1/2" (stopper 1/2" incl. in delivery)
- Scope of delivery:
  - Installation box and cover sleeve, plastic incl. sleeve gasket
  - Multifix fastening system
- To be ordered separately (optional or if necessary):
  - Extension set 20 mm Z.535.719

Z.535.701



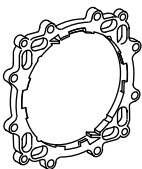
Z.535.702



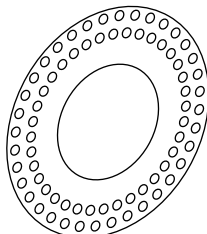
Z.535.703



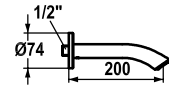
Z.635.179



Z.635.180



Article-No.	KWC-No.
<b>112.0360.164</b>	26.201.073.000
all chrome, A 200	



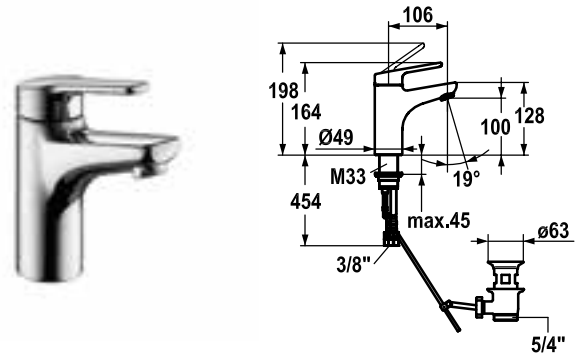
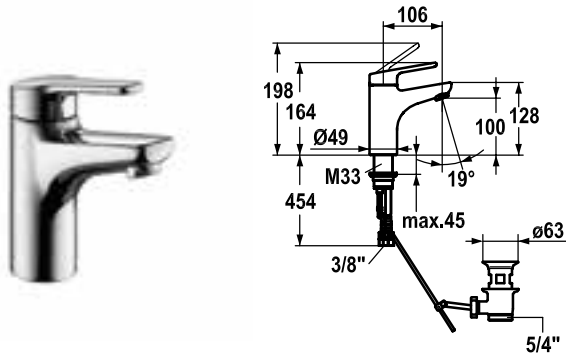
### Bathtub spout

#### Bathtub spout

- Fixed spout
  - Neoperl® Cascade®
- Connecting thread 1/2"

Flow rate 28 l/min (3 bar)  
Acoustic group II





Article-No.	KWC-No.
<b>113.0358.272</b>	12.368.041.000FL
all chrome, A 105, flexible connection hoses, with pop-up valve	
<b>113.0358.273</b>	12.368.051.000FL
all chrome, A 105, flexible connection hoses, without pop-up valve	

Article-No.	KWC-No.
<b>113.0358.274</b>	12.361.031.000FL
all chrome, A 105, flexible connection hoses, with pop-up valve	
<b>113.0358.277</b>	12.361.071.000FL
all chrome, A 105, flexible connection hoses, without pop-up valve	

**Lever mixer ■ Basin**

Lever mixer

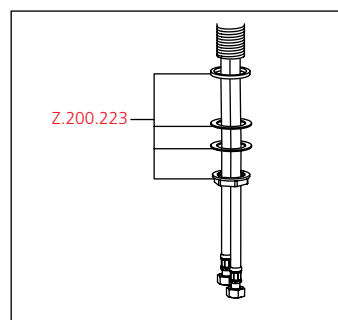
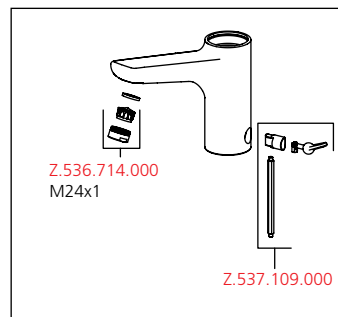
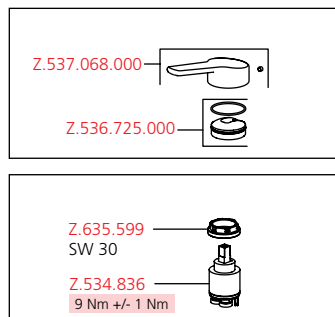
- Fixed spout
  - Neoperl® Cascade®
- KWC cartridge M 35
  - with ceramic discs
  - flow rate and temperature continuously variable
- Flexible connection hoses 3/8"
- Fastening by means of threaded sleeve M33 x 1.5
- Mounting hole size ø35 mm

**Lever mixer ■ Basin ■ coolfix**

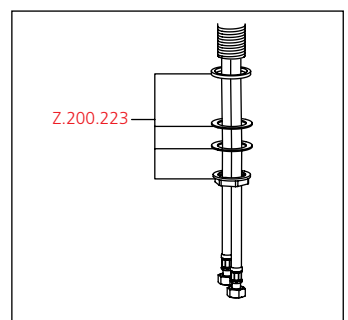
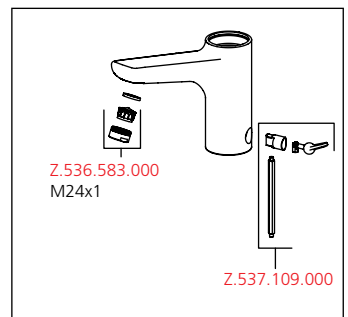
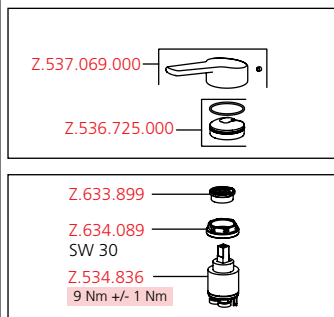
Lever mixer

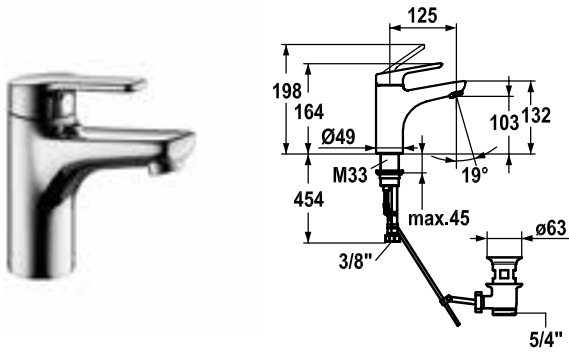
- COOLFIX - cold water flow in central lever position
- Fixed spout
  - Neoperl® Cascade®
- KWC cartridge M 35
  - with ceramic discs
  - flow rate and temperature continuously variable
  - temperature limitation
- Flexible connection hoses 3/8"
- Fastening by means of threaded sleeve M33 x 1.5
- Mounting hole size ø35 mm

Flow rate 6 l/min (3 bar)  
Acoustic group I



Flow rate 8 l/min (3 bar)  
Acoustic group I





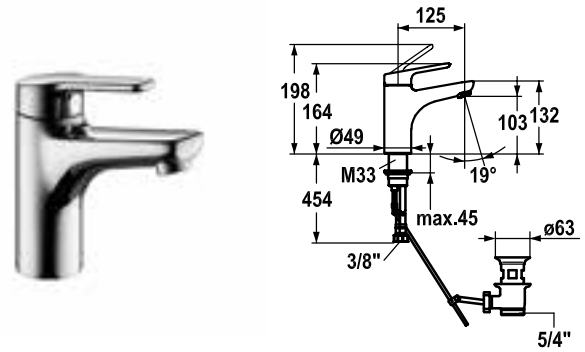
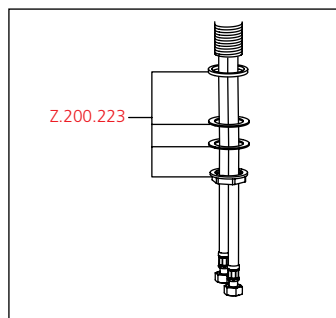
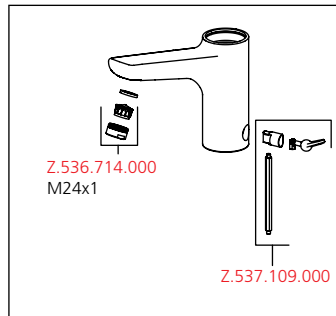
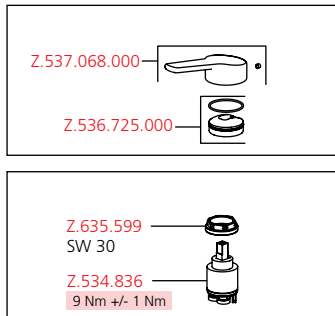
Article-No.	KWC-No.
<b>113.0358.278</b>	12.368.042.000FL
all chrome, A 125, flexible connection hoses, with pop-up valve	
<b>113.0358.279</b>	12.368.052.000FL
all chrome, A 125, flexible connection hoses, without pop-up valve	

**Lever mixer ■ Basin**

Lever mixer

- Fixed spout
  - Neoperl® Cascade®
- KWC cartridge M 35
  - with ceramic discs
  - flow rate and temperature continuously variable
- Flexible connection hoses 3/8"
- Fastening by means of threaded sleeve M33 x 1.5
- Mounting hole size ø35 mm

Flow rate 6 l/min (3 bar)  
Acoustic group I



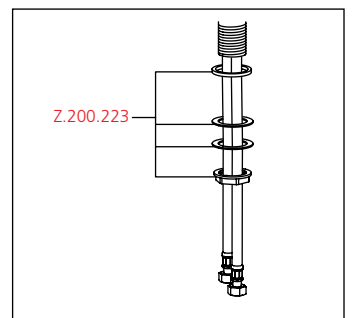
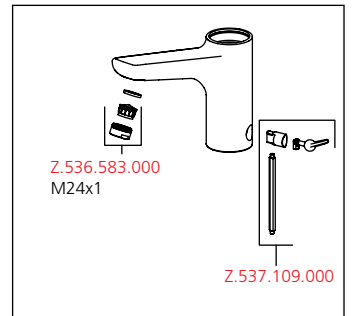
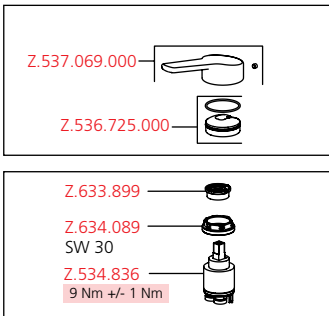
Article-No.	KWC-No.
<b>113.0358.280</b>	12.361.032.000FL
all chrome, A 125, flexible connection hoses, with pop-up valve	
<b>113.0358.281</b>	12.361.072.000FL
all chrome, A 125, flexible connection hoses, without pop-up valve	

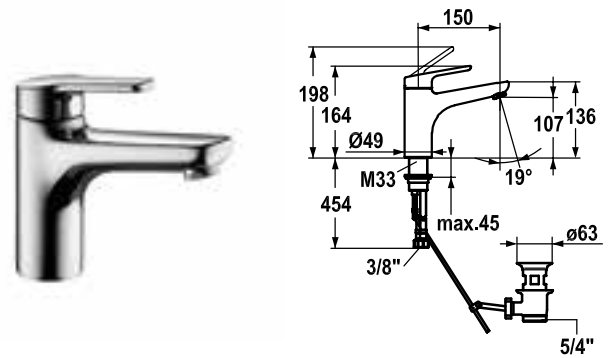
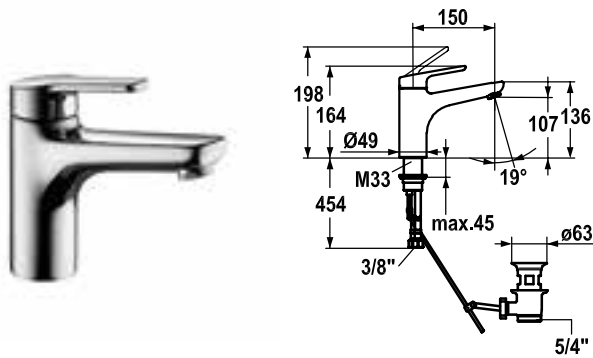
**Lever mixer ■ Basin ■ coolfix**

Lever mixer

- COOLFIX - cold water flow in central lever position
- Fixed spout
  - Neoperl® Cascade®
- KWC cartridge M 35
  - with ceramic discs
  - flow rate and temperature continuously variable
  - temperature limitation
- Flexible connection hoses 3/8"
- Fastening by means of threaded sleeve M33 x 1.5
- Mounting hole size ø35 mm

Flow rate 8 l/min (3 bar)  
Acoustic group I





Article-No.	KWC-No.
<b>113.0358.282</b>	12.368.043.000FL
all chrome, A 150, flexible connection hoses, with pop-up valve	
<b>113.0358.283</b>	12.368.053.000FL
all chrome, A 150, flexible connection hoses, without pop-up valve	

Article-No.	KWC-No.
<b>113.0358.284</b>	12.361.033.000FL
all chrome, A 150, flexible connection hoses, with pop-up valve	
<b>113.0358.285</b>	12.361.073.000FL
all chrome, A 150, flexible connection hoses, without pop-up valve	

**Lever mixer ■ Basin**

Lever mixer

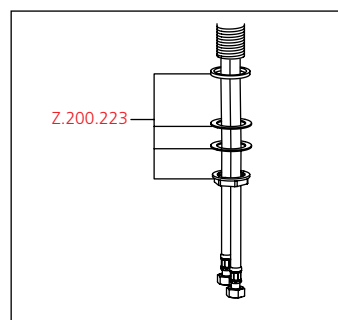
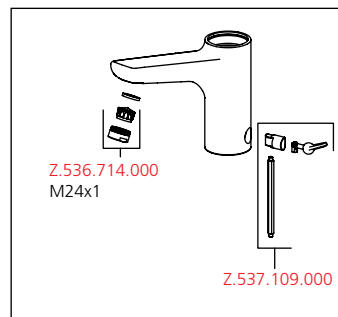
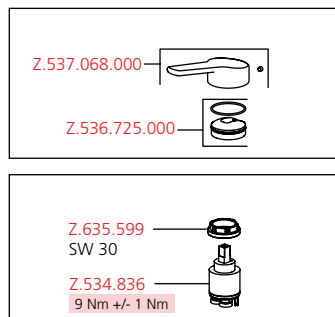
- Fixed spout
  - Neoperl® Cascade®
- KWC cartridge M 35
  - with ceramic discs
  - flow rate and temperature continuously variable
- Flexible connection hoses 3/8"
- Fastening by means of threaded sleeve M33 x 1.5
- Mounting hole size ø35 mm

**Lever mixer ■ Basin ■ coolfix**

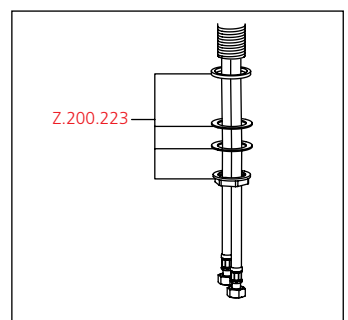
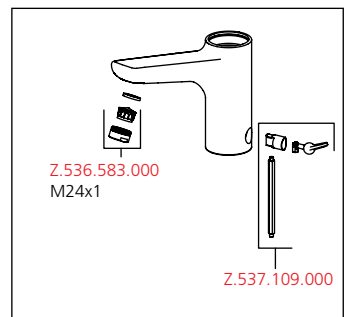
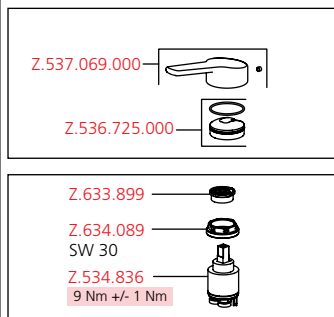
Lever mixer

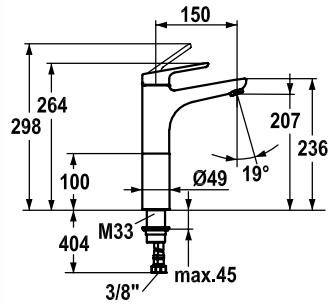
- COOLFIX - cold water flow in central lever position
- Fixed spout
  - Neoperl® Cascade®
- KWC cartridge M 35
  - with ceramic discs
  - flow rate and temperature continuously variable
  - temperature limitation
- Flexible connection hoses 3/8"
- Fastening by means of threaded sleeve M33 x 1.5
- Mounting hole size ø35 mm

Flow rate 6 l/min (3 bar)  
Acoustic group I



Flow rate 8 l/min (3 bar)  
Acoustic group I





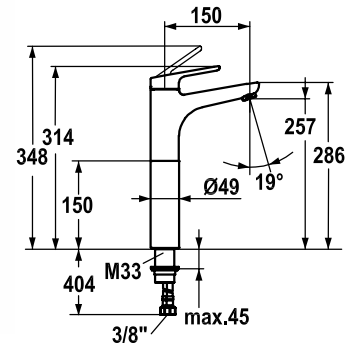
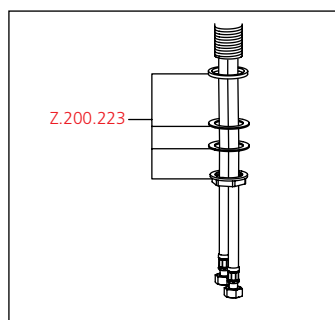
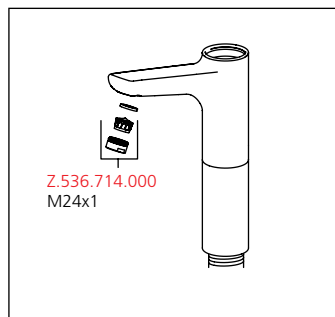
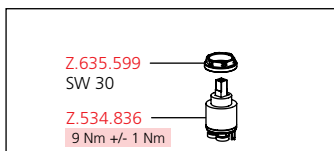
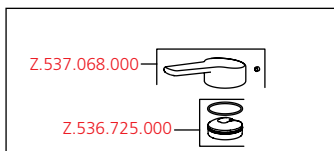
Article-No.	KWC-No.
<b>113.0358.290</b>	12.368.373.000FL
all chrome, A 150, flexible connection hoses, without pop-up valve	

### Lever mixer ■ Basin

#### Lever mixer

- For top-mounted basins
- Fixed spout
  - Neoperl® Cascade®
- KWC cartridge M 35
  - with ceramic discs
  - flow rate and temperature continuously variable
- Flexible connection hoses 3/8"
- Fastening by means of threaded sleeve M33 x 1.5
- Mounting hole size ø35 mm

Flow rate 6 l/min (3 bar)  
Acoustic group I



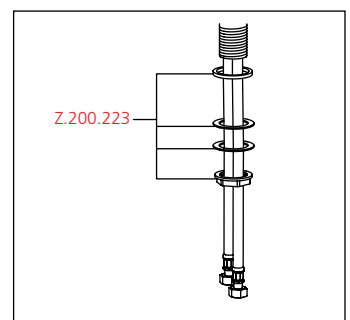
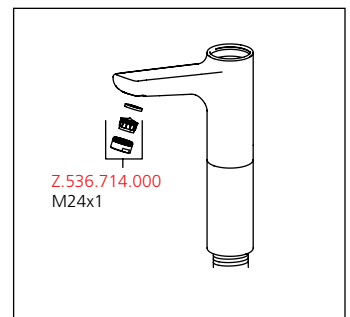
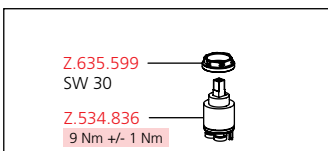
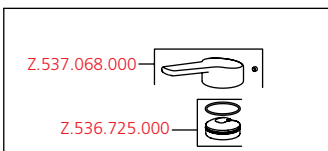
Article-No.	KWC-No.
<b>113.0358.321</b>	12.368.093.000FL
all chrome, A 150, flexible connection hoses, without pop-up valve	

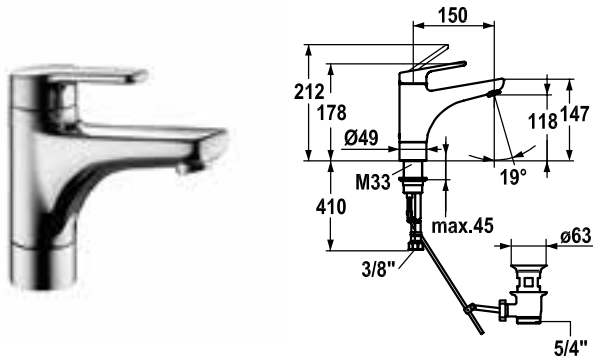
### Lever mixer ■ Basin

#### Lever mixer

- For top-mounted basins
- Fixed spout
  - Neoperl® Cascade®
- KWC cartridge M 35
  - with ceramic discs
  - flow rate and temperature continuously variable
- Flexible connection hoses 3/8"
- Fastening by means of threaded sleeve M33 x 1.5
- Mounting hole size ø35 mm

Flow rate 6 l/min (3 bar)  
Acoustic group I





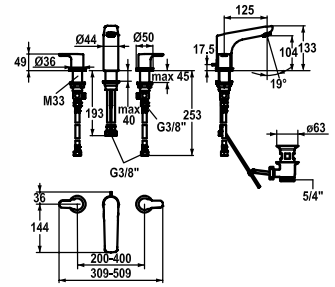
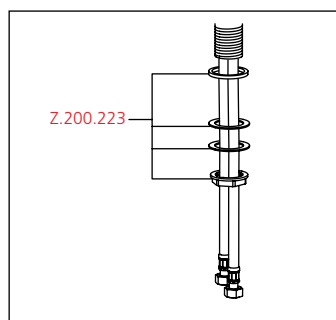
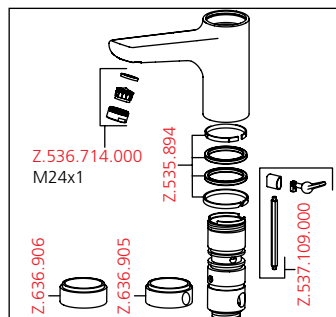
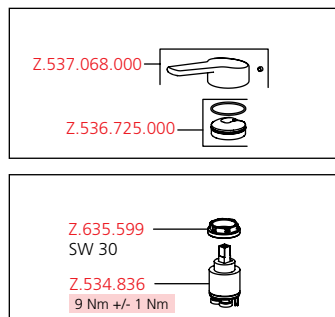
Article-No.	KWC-No.
<b>113.0358.288</b>	12.368.011.000FL
all chrome, A 150, flexible connection hoses, with pop-up valve	
<b>113.0358.289</b>	12.368.021.000FL
all chrome, A 150, flexible connection hoses, without pop-up valve	

**Lever mixer ■ Basin**

Lever mixer

- Swivel spout 90°
  - Neoperl® Cascade®
- KWC cartridge M 35
  - with ceramic discs
  - flow rate and temperature continuously variable
- Flexible connection hoses 3/8"
- Fastening by means of threaded sleeve M33 x 1.5
- Mounting hole size ø35 mm

Flow rate 6 l/min (3 bar)  
Acoustic group I



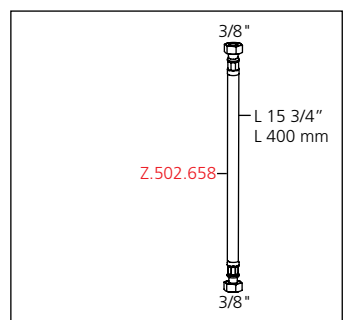
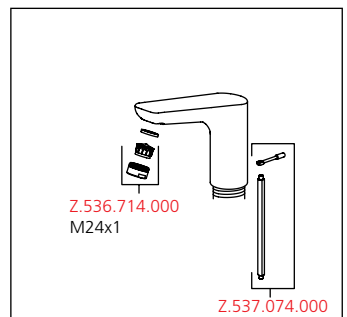
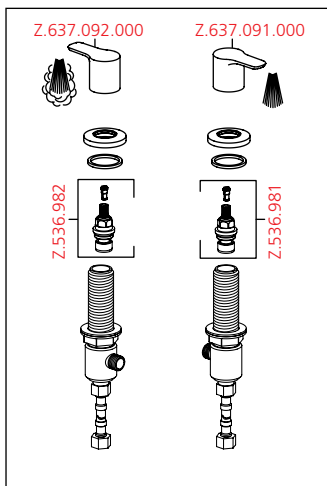
Article-No.	KWC-No.
<b>113.0358.286</b>	12.363.191.000FL
all chrome, A 125, flexible connection hoses, with pop-up valve	
<b>113.0358.287</b>	12.363.201.000FL
all chrome, A 125, flexible connection hoses, without pop-up valve	

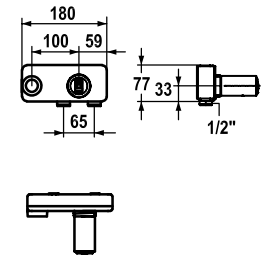
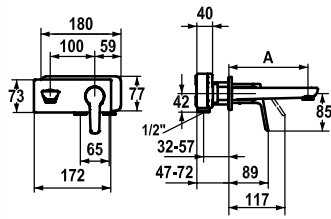
**Two-handle mixer ■ Basin**

Two-handle mixer

- 3-hole
- Fixed spout
  - Neoperl® Cascade®
- Flexible connection hoses 3/8"
- Fastening by means of threaded sleeve M33 x 1.5 / M28 x 1.5
- Mounting hole size ø35 mm / ø30 mm

Flow rate 6 l/min (3 bar)  
Acoustic group I





Article-No.	KWC-No.
<b>113.0358.271</b>	11.362.033.000
all chrome, A 175, Trim kit	
<b>113.0358.260</b>	11.362.034.000
all chrome, A 225, Trim kit	

Article-No.	KWC-No.
<b>112.0352.070</b>	39.321.400.931
Concealed unit	

**Trim kit ■ Lever mixer ■ Basin**

**Lever mixer**

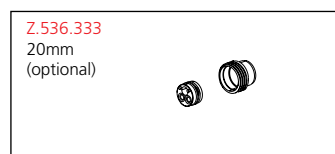
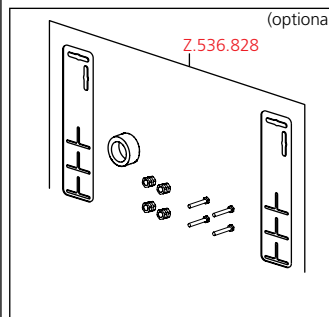
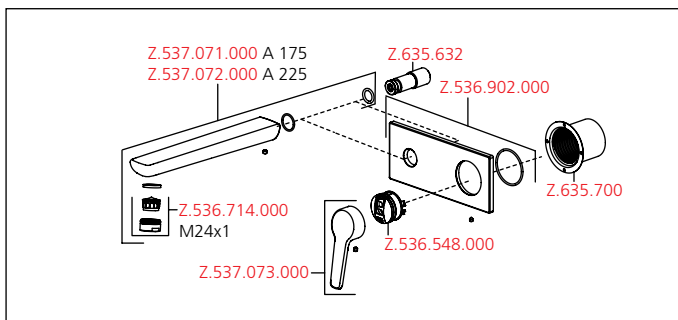
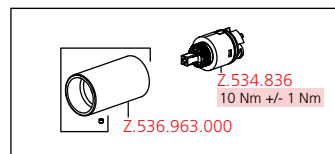
- Fixed spout
  - Neoperl® Caché®
- KWC cartridge M 35
  - with ceramic discs
  - flow rate and temperature continuously variable
- To be ordered separately:
  - Unit for concealed installation 1/2" 39.321.400.931
  - To be ordered separately (optional or if necessary):
    - Extension set 20 mm Z.536.333

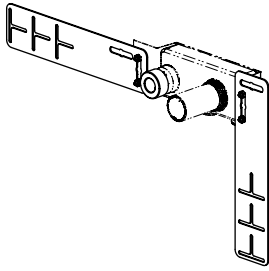
**Concealed unit**

**Concealed unit wall two hole**

- Connecting thread 1/2"
- To be ordered separately:
  - Installation kit Z.536.828

Flow rate 7.5 l/min (3 bar)  
Acoustic group I

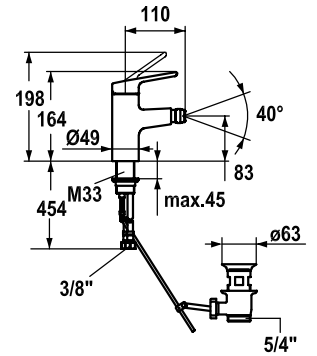




Article-No.	KWC-No.
<b>112.0362.929</b>	Z.536.828

**Installation kit**

- Installation kit
- Suitable for:
    - Concealed unit wall two hole

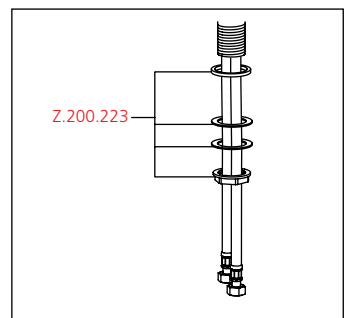
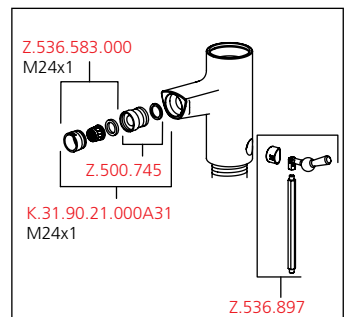
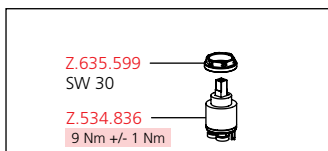
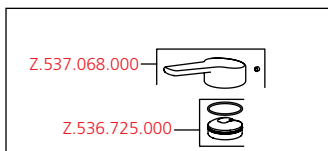


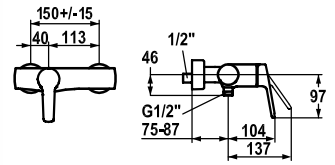
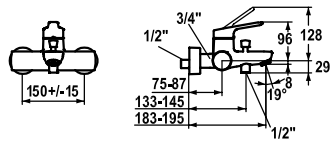
Article-No.	KWC-No.
<b>113.0358.322</b>	13.361.041.000FL
all chrome, A 110, flexible connection hoses, with pop-up valve	

**Lever mixer ▪ Bidet**

- Lever mixer
- Fixed spout
    - ball joint aerator Neoperl® Cascade®
  - KWC cartridge M 35
    - with ceramic discs
    - flow rate and temperature continuously variable
  - Flexible connection hoses 3/8"
  - Fastening by means of threaded sleeve M33 x 1.5
  - Mounting hole size ø35 mm

Flow rate 8 l/min (3 bar)  
Acoustic group I





Article-No.	KWC-No.
<b>113.0358.329</b>	20.362.313.000
all chrome, AD 150 +/- 15 mm, A 190, without hand shower, hose and bracket	

Article-No.	KWC-No.
<b>113.0358.327</b>	21.362.330.000
all chrome, AD 150 +/- 15 mm, without hand shower and hose	

**Lever mixer ■ Tub**

Lever mixer

- Diverter with automatic reset
- Intrinsically safe against backflow
- Fixed spout
  - Neoperl® Cascade®
- KWC cartridge M 35
  - with ceramic discs
  - flow rate and temperature continuously variable
- Concealed wall connections 1/2" x 3/4", without shut-off valve L 46 eccentric 7.5 mm

**Lever mixer ■ Shower**

Lever mixer

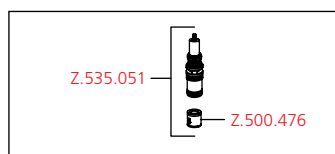
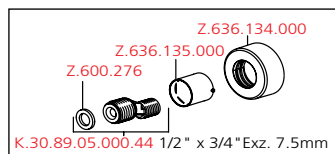
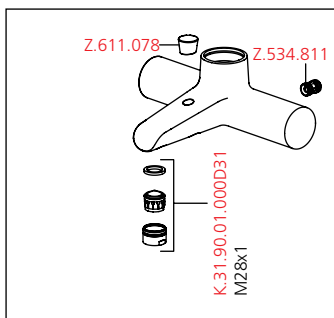
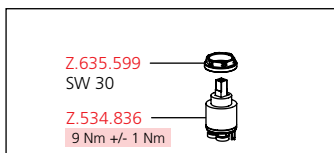
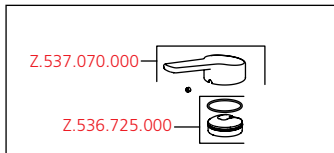
- Intrinsically safe against backflow
- KWC cartridge M 35
  - with ceramic discs
  - flow rate and temperature continuously variable
- Concealed wall connections 1/2" x 3/4", without shut-off valve L 46 eccentric 7.5 mm

Flow rate 21 l/min (3 bar)

Acoustic group II

Spray outlet: Flow rate 16 l/min (3 bar)

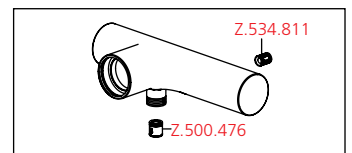
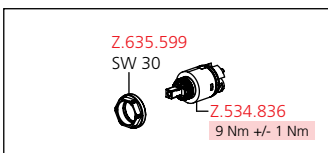
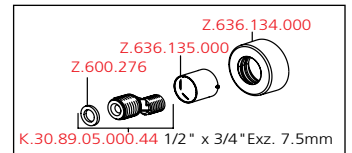
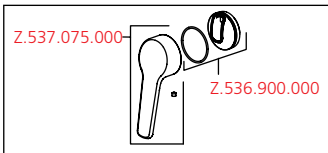
Spray outlet: Acoustic group I



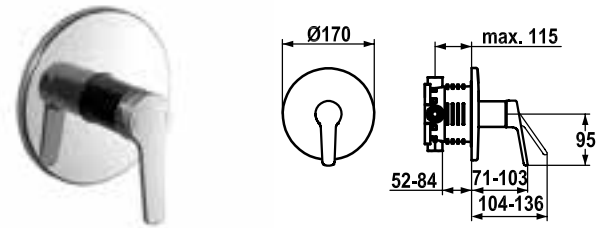
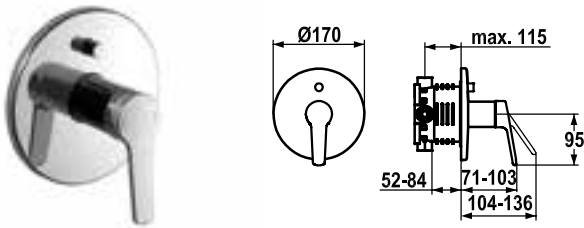
Acoustic group II

Spray outlet: Flow rate 16 l/min (3 bar)

Spray outlet: Acoustic group I







Article-No.	KWC-No.
<b>113.0358.330</b>	20.364.580.000
all chrome, Trim kit	
<b>113.0358.341</b>	20.364.590.000
all chrome, Trim kit, with vacuum breaker	

Article-No.	KWC-No.
<b>113.0358.328</b>	21.364.580.000
all chrome, Trim kit	

**Trim kit ■ Lever mixer ■ Shower**

Trim kit with function unit

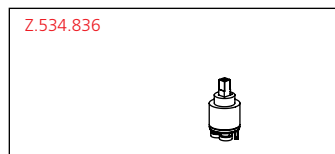
- Outflow top and below
- Pressure diversion
- Diverter with automatic reset
- KWC cartridge M 35
  - with ceramic discs
  - flow rate and temperature continuously variable
- Scope of delivery:
  - Function unit, lever, cap, sleeve, cover plate, diverter
  - Fastening of the cover plate without screws
- To be ordered separately:
  - Unit for concealed installation KWC VAROX ½" 39.999.300.931, with shut-off valves

**Trim kit ■ Lever mixer ■ Shower**

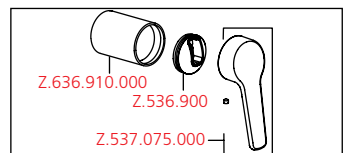
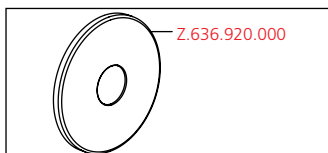
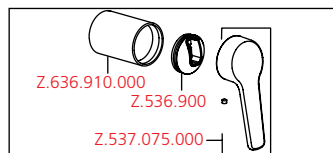
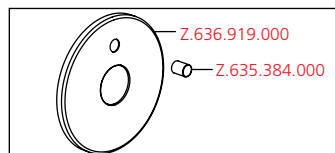
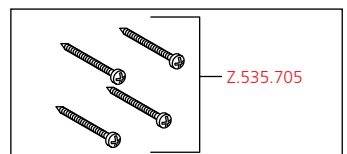
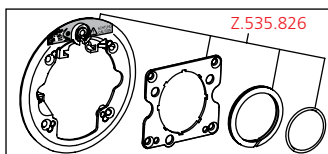
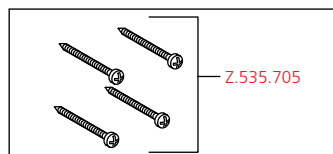
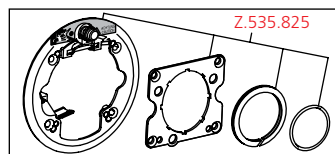
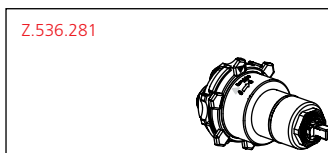
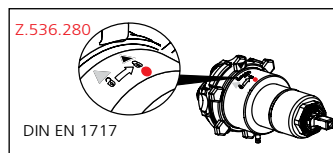
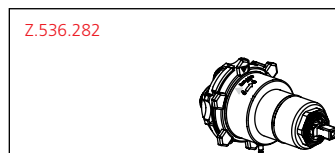
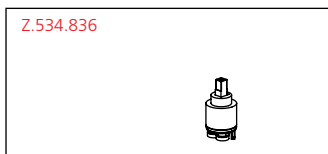
Trim kit with function unit

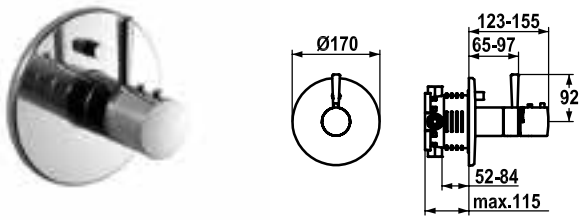
- Outflow top or below
- KWC cartridge M 35
  - with ceramic discs
  - flow rate and temperature continuously variable
- Scope of delivery:
  - Function unit, lever, cap, sleeve, cover plate
  - Fastening of the cover plate without screws
- To be ordered separately:
  - Unit for concealed installation KWC VAROX ½" 39.999.300.931, with shut-off valves

Flow rate 21 l/min (3 bar)  
Acoustic group I



Flow rate 21 l/min (3 bar)  
Acoustic group I





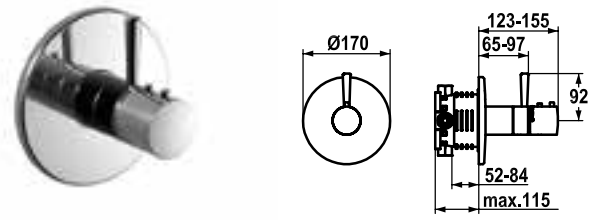
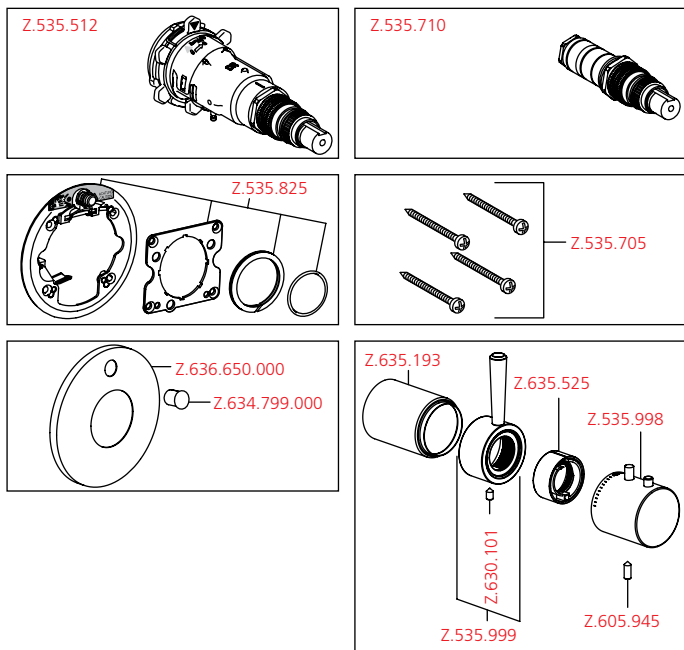
Article-No.	KWC-No.
<b>113.0358.343</b>	20.364.480.000
all chrome, Trim kit	

**Trim kit ■ Thermostatic mixer ■ Tub**

Trim kit with thermostatic function unit

- Outflow top and below
- Pressure diversion
- hotControl - temperature handle with safety stop button 38°C
- Diverter with automatic reset
- Intrinsicly safe against backflow
- Scope of delivery:
  - Function unit, flow rate adjustment lever, temperature lever, sleeve, cover plate, holder for escutcheon
  - Fastening of the cover plate without screws
- To be ordered separately:
  - Unit for concealed installation KWC VAROX ½" 39.999.300.931, with shut-off valves

Flow rate 21 l/min (3 bar)  
Acoustic group I



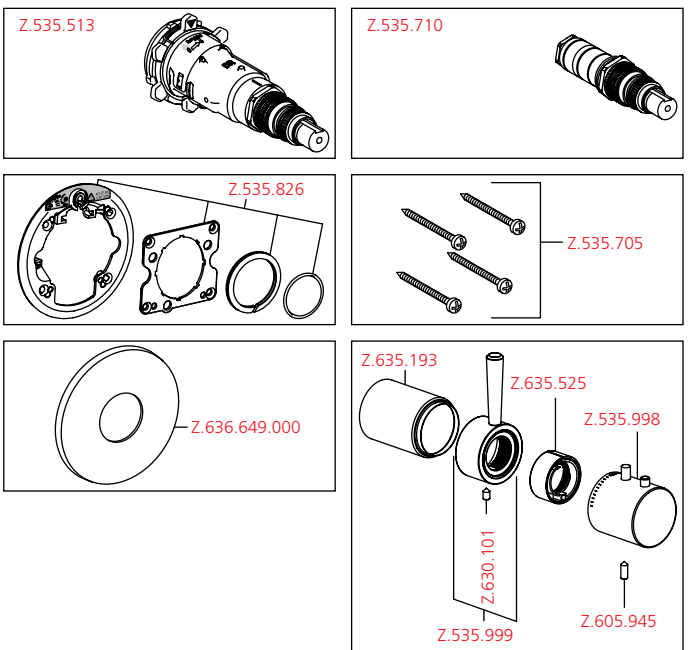
Article-No.	KWC-No.
<b>113.0358.342</b>	21.364.480.000
all chrome, Trim kit	

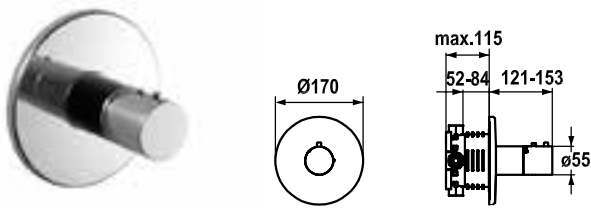
**Trim kit ■ Thermostatic mixer ■ Shower**

Trim kit with thermostatic function unit

- Outflow top or below
- hotControl - temperature handle with safety stop button 38°C
- Intrinsicly safe against backflow
- Scope of delivery:
  - Function unit, flow rate adjustment lever, temperature lever, sleeve, cover plate, holder for escutcheon, diverter
  - Fastening of the cover plate without screws
- To be ordered separately:
  - Unit for concealed installation KWC VAROX ½" 39.999.300.931, with shut-off valves

Flow rate 21 l/min (3 bar)  
Acoustic group I





Article-No.	KWC-No.
<b>113.0358.344</b>	21.364.600.000
all chrome, Trim kit	

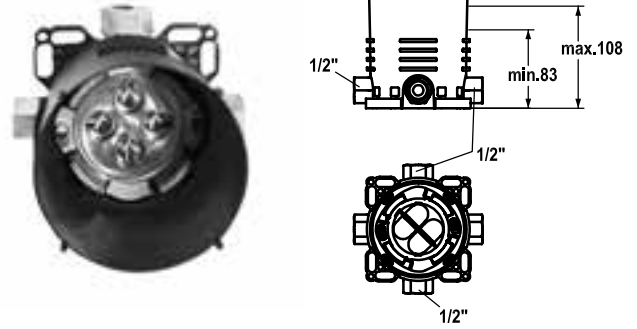
**Trim kit ■ Thermostatic mixer ■ Shower**

Trim kit with thermostatic function unit

- Without diverter
- Without volume control
- Outflow top or below
- hotControl - temperature handle with safety stop button 38°C
- Intrinsically safe against backflow
- To be ordered separately:
  - Unit for concealed installation KWC VAROX ½" 39.999.300.931, with shut-off valves

Flow rate 21 l/min (3 bar)  
Acoustic group I

<p>Z.536.480</p>	<p>Z.636.060</p>	<p>Z.535.701</p>	<p>Z.535.702</p>
<p>Z.535.706</p>	<p>Z.535.705</p>	<p>Z.635.179</p>	<p>Z.535.703</p>
<p>Z.636.649.000</p>	<p>Z.636.427.000</p> <p>Z.535.985</p> <p>Z.636.428</p> <p>Z.605.945.700</p>	<p>Z.635.180</p>	<p>Z.635.180</p>

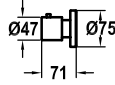


Article-No.	KWC-No.
<b>112.0315.787</b>	39.999.300.931
Concealed unit	

**Concealed unit**

Concealed unit compact

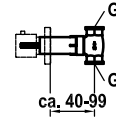
- Integrated shut-off valves cold and hot water
- Connecting thread ½" (stopper ½" incl. in delivery)
- Scope of delivery:
  - Installation box and cover sleeve, plastic incl. sleeve gasket
  - Multifix fastening system
- To be ordered separately (optional or if necessary):
  - Extension set 20 mm Z.535.719



Article-No.	KWC-No.
<b>112.0315.802</b>	27.150.050.000
all chrome, Trim kit	

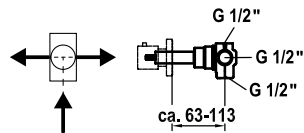
### Trim kit

- for shut-off valve
- for multiport diverter
- for multiport shut-off valve
- To be ordered separately:
  - Unit for concealed installation
  - Shut-off valve ½" K.38.93.00.931.34
  - multiport shut-off valve ½" 39.990.011.931
  - shut-off valve ¾" K.38.H3.70.931A35



Article-No.	KWC-No.
<b>112.0315.810</b>	K.38.93.00.931.34
G ½", Concealed unit	
<b>112.0315.785</b>	K.38.H3.70.931A35
G ¾", Concealed unit	

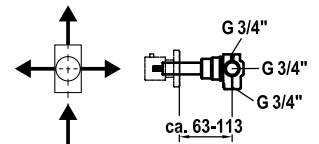
### Concealed unit for shut-off valve



Article-No.	KWC-No.
<b>112.0315.811</b>	39.990.011.931
G ½", Concealed unit	

### Concealed unit for multiport shut-off valve

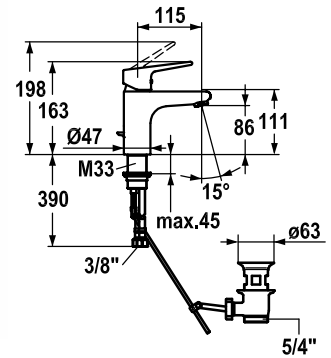
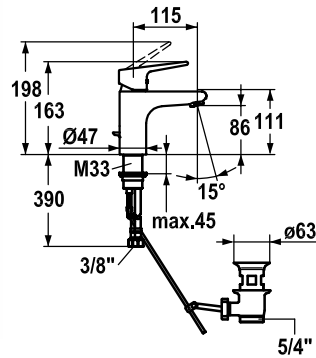
- With shut-off valve
- 1 mixed water inlet, 2 outlets
- Connecting thread ½"



Article-No.	KWC-No.
<b>112.0315.786</b>	39.990.010.931
G ¾", Concealed unit	

### Concealed unit for multiport diverter

- Without shut-off valve
- 1 mixed water inlet, 3 outlets
- Connecting thread ¾"



Article-No.	KWC-No.
<b>113.0360.207</b>	12.168.041.000FL
all chrome, A 115, flexible connection hoses, with pop-up valve	
<b>113.0360.208</b>	12.168.051.000FL
all chrome, A 115, flexible connection hoses, without pop-up valve	

Article-No.	KWC-No.
<b>113.0360.373</b>	12.161.031.000FL
all chrome, A 115, flexible connection hoses, with pop-up valve	
<b>113.0360.375</b>	12.161.071.000FL
all chrome, A 115, flexible connection hoses, without pop-up valve	

**Lever mixer ■ Basin**

Lever mixer

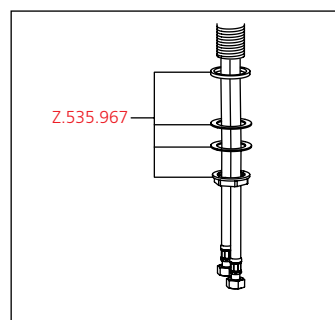
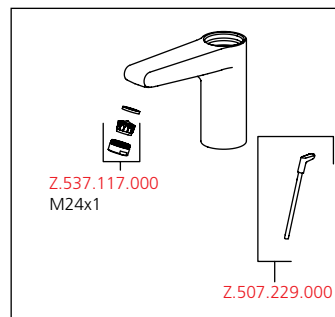
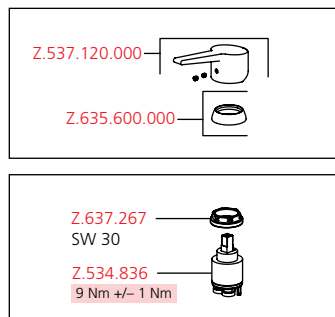
- Fixed spout
  - Neoperl® Perlator® SSR, swivelling jet regulator
- KWC cartridge M 35
  - with ceramic discs
  - flow rate and temperature continuously variable
  - temperature limitation
- Flexible connection hoses 3/8"
- Fastening by means of threaded sleeve M33 x 1.5
- Mounting hole size ø35 mm

**Lever mixer ■ Basin ■ coolfix**

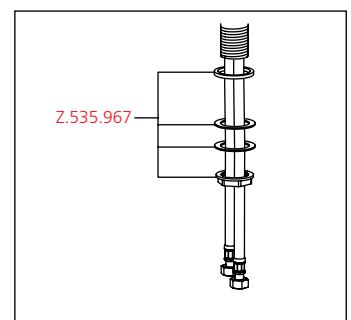
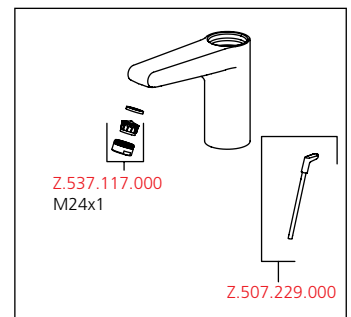
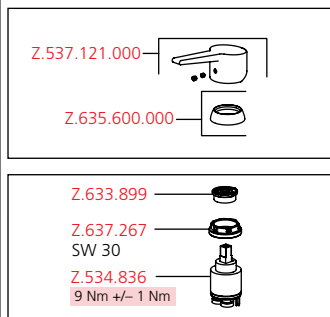
Lever mixer

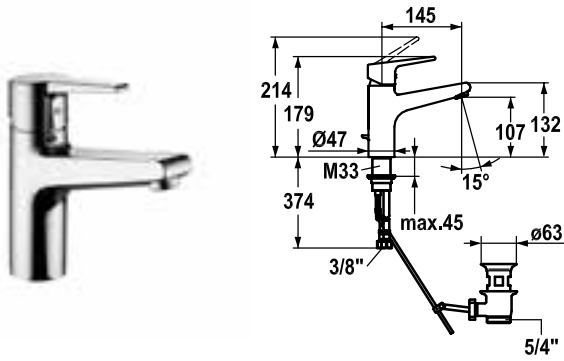
- COOLFIX - cold water flow in central lever position
  - Neoperl® Perlator® SSR, swivelling jet regulator
- Fixed spout
  - Neoperl® Perlator® SSR, swivelling jet regulator
- KWC cartridge M 35
  - with ceramic discs
  - flow rate and temperature continuously variable
  - temperature limitation
- Flexible connection hoses 3/8"
- Fastening by means of threaded sleeve M33 x 1.5
- Mounting hole size ø35 mm

Flow rate 6 l/min (3 bar)  
Acoustic group I



Flow rate 6 l/min (3 bar)  
Acoustic group I





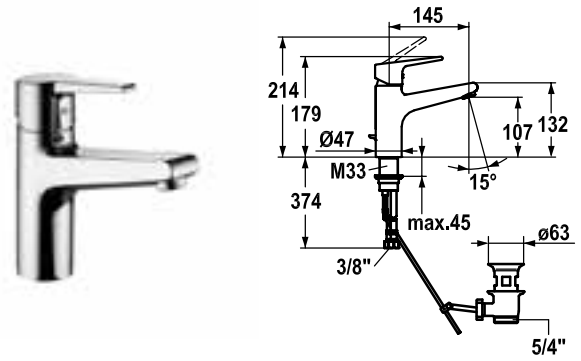
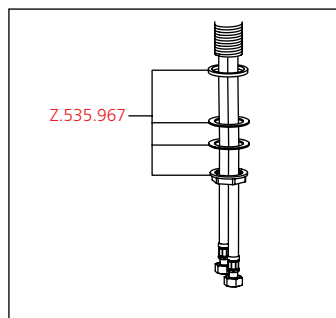
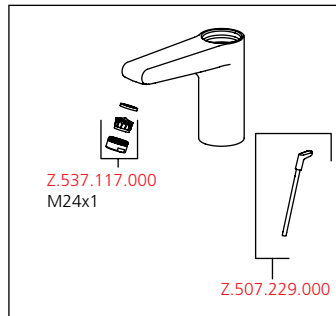
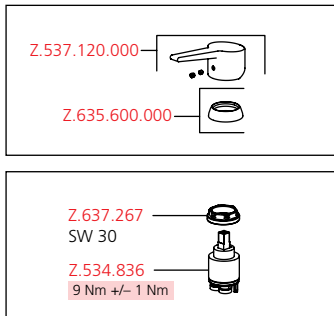
Article-No.	KWC-No.
<b>113.0360.209</b>	12.168.042.000FL
all chrome, A 145, flexible connection hoses, with pop-up valve	
<b>113.0360.210</b>	12.168.052.000FL
all chrome, A 145, flexible connection hoses, without pop-up valve	

**Lever mixer ■ Basin**

Lever mixer

- Fixed spout
  - Neoperl® Perlator® SSR, swivelling jet regulator
- KWC cartridge M 35
  - with ceramic discs
  - flow rate and temperature continuously variable
  - temperature limitation
- Flexible connection hoses 3/8"
- Fastening by means of threaded sleeve M33 x 1.5
- Mounting hole size ø35 mm

Flow rate 6 l/min (3 bar)  
Acoustic group I



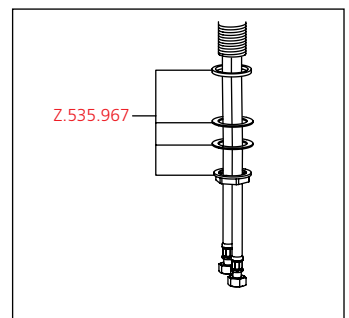
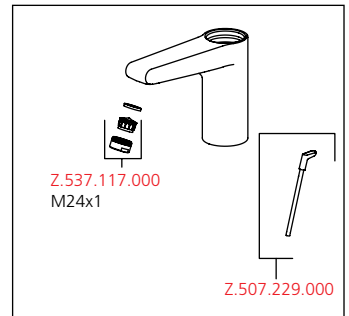
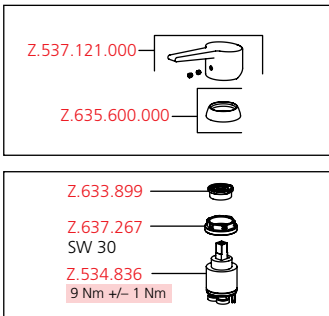
Article-No.	KWC-No.
<b>113.0360.376</b>	12.161.032.000FL
all chrome, A 145, flexible connection hoses, with pop-up valve	
<b>113.0360.377</b>	12.161.072.000FL
all chrome, A 145, flexible connection hoses, without pop-up valve	

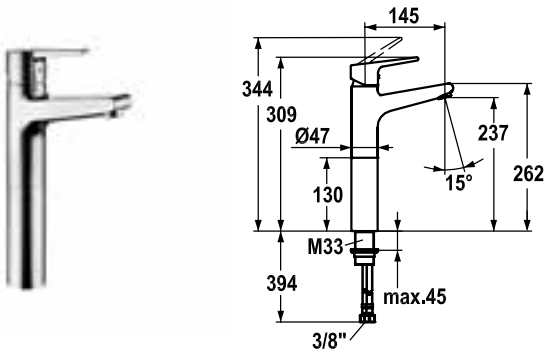
**Lever mixer ■ Basin ■ coolfix**

Lever mixer

- COOLFIX - cold water flow in central lever position
- Fixed spout
  - Neoperl® Perlator® SSR, swivelling jet regulator
- KWC cartridge M 35
  - with ceramic discs
  - flow rate and temperature continuously variable
  - temperature limitation
- Flexible connection hoses 3/8"
- Fastening by means of threaded sleeve M33 x 1.5
- Mounting hole size ø35 mm

Flow rate 6 l/min (3 bar)  
Acoustic group I





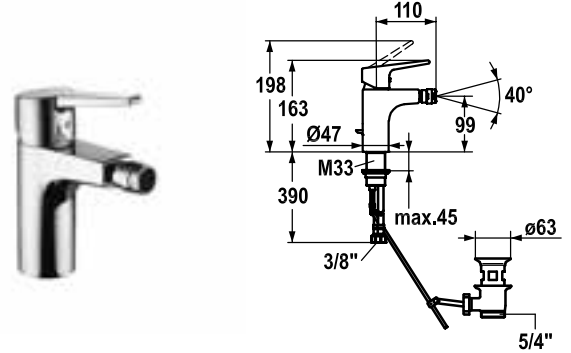
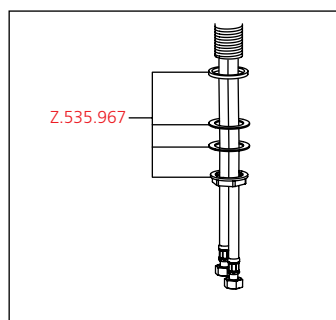
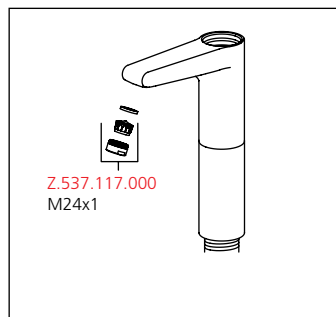
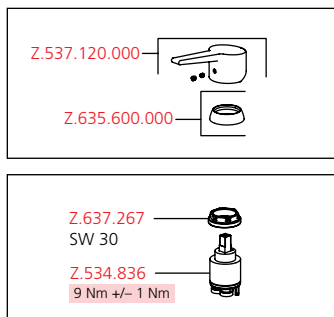
Article-No.	KWC-No.
<b>113.0360.378</b>	12.168.092.000FL
all chrome, A 145, flexible connection hoses, without pop-up valve	

**Lever mixer ■ Basin**

Lever mixer

- Fixed spout
  - Neoperl® Perlator® SSR, swivelling jet regulator
- KWC cartridge M 35
  - with ceramic discs
  - flow rate and temperature continuously variable
  - temperature limitation
- Flexible connection hoses 3/8"
- Fastening by means of threaded sleeve M33 x 1.5
- Mounting hole size ø35 mm

Flow rate 6 l/min (3 bar)  
Acoustic group I



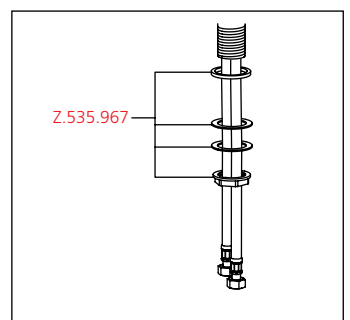
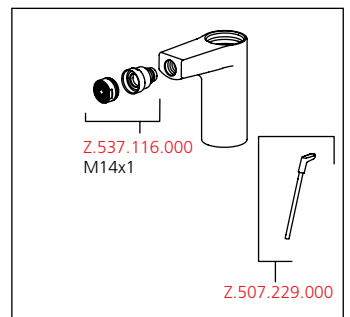
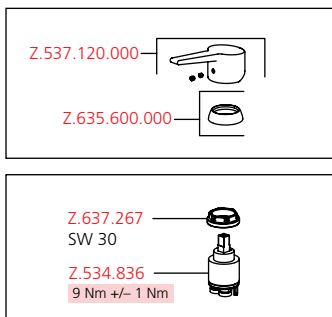
Article-No.	KWC-No.
<b>113.0360.221</b>	13.161.041.000FL
all chrome, A 110, flexible connection hoses, with pop-up valve	

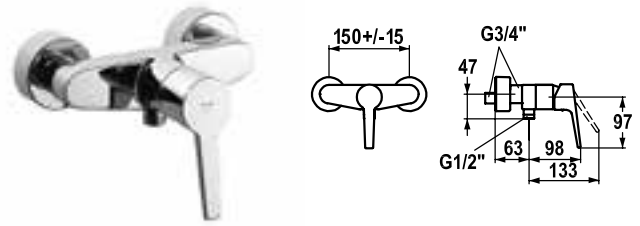
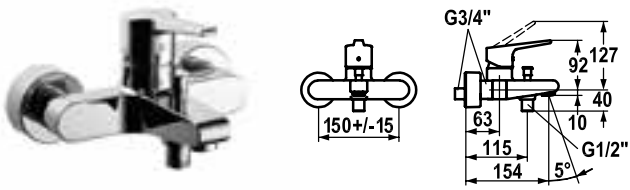
**Lever mixer ■ Bidet**

Lever mixer

- Fixed spout
  - ball joint aerator Neoperl® Cascade®
- KWC cartridge M 35
  - with ceramic discs
  - flow rate and temperature continuously variable
  - temperature limitation
- Flexible connection hoses 3/8"
- Fastening by means of threaded sleeve M33 x 1.5
- Mounting hole size ø35 mm

Flow rate 7.5 l/min (3 bar)  
Acoustic group I





Article-No.	KWC-No.
<b>113.0360.224</b>	20.162.313.000
all chrome, AD 150 +/- 15 mm, A 170, without hand shower, hose and bracket	

Article-No.	KWC-No.
<b>113.0360.222</b>	21.162.330.000
all chrome, AD 150 +/- 15 mm, without hand shower and hose	

**Lever mixer ■ Tub**

Lever mixer

- Diverter with automatic reset
- Intrinsically safe against backflow
- Fixed spout
  - Neoperl® Perlator®
- KWC cartridge M 35
  - with ceramic discs
  - flow rate and temperature continuously variable
  - temperature limitation
- Wall connections 1/2" x 3/4", without shut-off valve L 46 eccentric 7.5 mm

**Lever mixer ■ Shower**

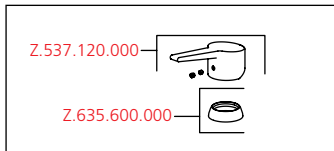
Lever mixer

- Intrinsically safe against backflow
- KWC cartridge M 35
  - with ceramic discs
  - flow rate and temperature continuously variable
  - temperature limitation
- Wall connections 1/2" x 3/4", without shut-off valve L 46 eccentric 7.5 mm

Flow rate 20 l/min (3 bar)

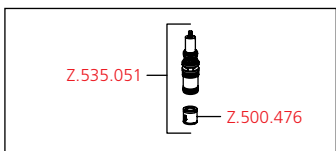
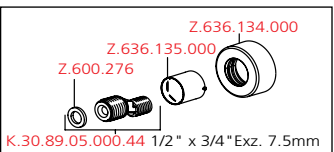
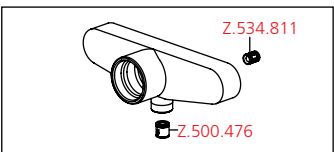
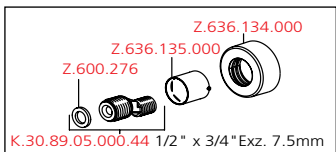
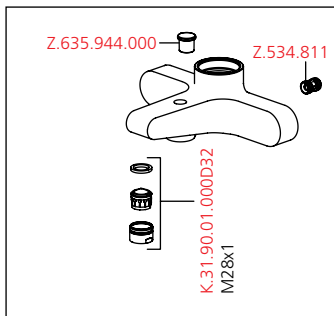
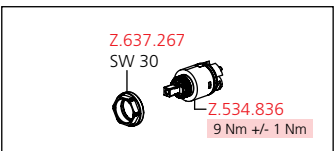
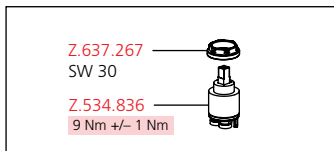
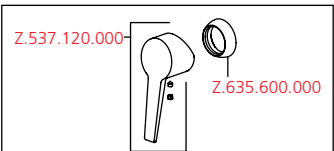
Acoustic group II

Spray outlet: Flow rate 18 l/min (3 bar)

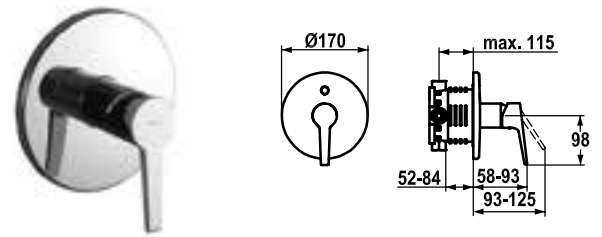
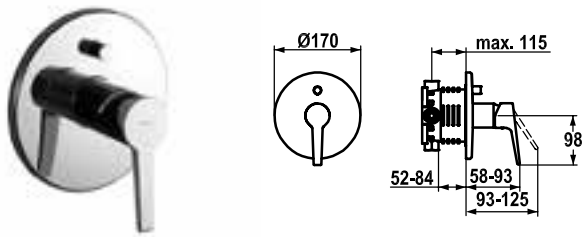


Flow rate 18 l/min (3 bar)

Acoustic group II







Article-No.	KWC-No.
<b>113.0360.371</b>	20.164.580.000
all chrome, Trim kit	
<b>113.0360.350</b>	20.164.590.000
all chrome, Trim kit, with vacuum breaker	

Article-No.	KWC-No.
<b>113.0360.348</b>	21.164.580.000
all chrome, Trim kit	

**Trim kit ■ Lever mixer ■ Tub**

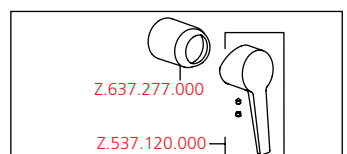
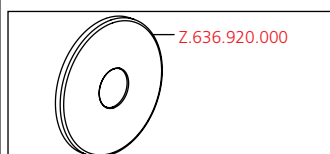
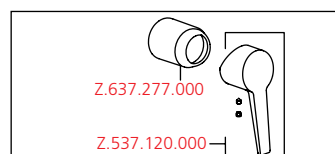
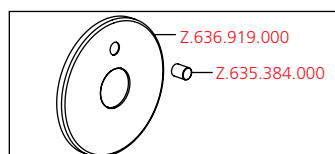
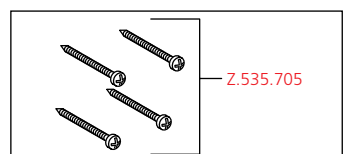
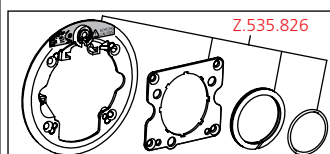
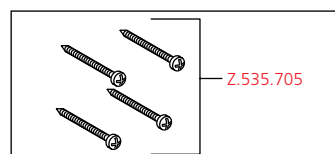
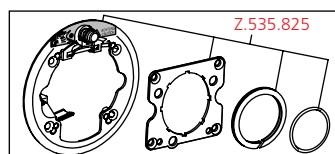
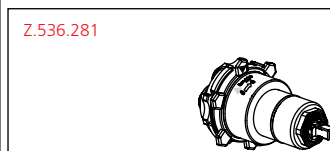
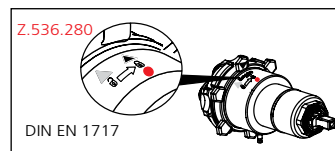
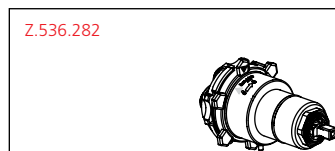
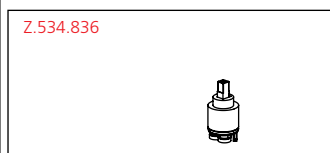
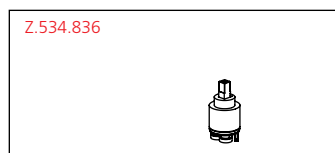
Trim kit with function unit

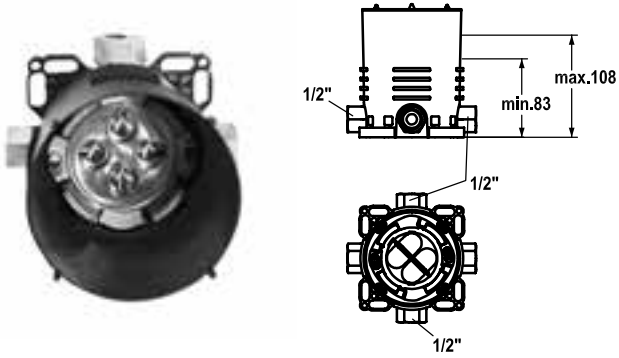
- Outflow top and below
- Pressure diversion
- Diverter with automatic reset
- KWC cartridge M 35
  - with ceramic discs
  - flow rate and temperature continuously variable
  - temperature limitation
- Scope of delivery:
  - Function unit, lever, cap, sleeve, cover plate, diverter
  - Fastening of the cover plate without screws
- To be ordered separately:
  - Unit for concealed installation KWC VAROX ½" 39.999.300.931, with shut-off valves

**Trim kit ■ Lever mixer ■ Shower**

Trim kit with function unit

- Outflow top and below
- KWC cartridge M 35
  - with ceramic discs
  - flow rate and temperature continuously variable
  - temperature limitation
- Scope of delivery:
  - Function unit, lever, cap, sleeve, cover plate, diverter
  - Fastening of the cover plate without screws
- To be ordered separately:
  - Unit for concealed installation KWC VAROX ½" 39.999.300.931, with shut-off valves





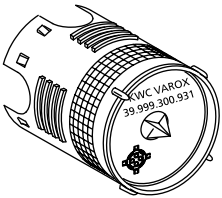
Article-No.	KWC-No.
<b>112.0315.787</b>	39.999.300.931
Concealed unit	

### Concealed unit

#### Concealed unit compact

- Integrated shut-off valves cold and hot water
- Connecting thread 1/2" (stopper 1/2" incl. in delivery)
- Scope of delivery:
  - Installation box and cover sleeve, plastic incl. sleeve gasket
  - Multifix fastening system
- To be ordered separately (optional or if necessary):
  - Extension set 20 mm Z.535.719

Z.535.701



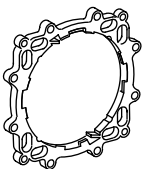
Z.535.702



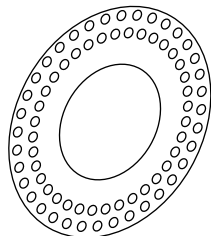
Z.535.703

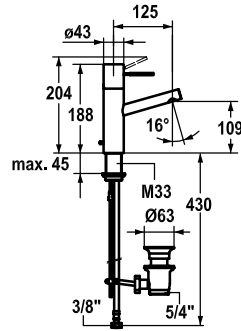


Z.635.179



Z.635.180





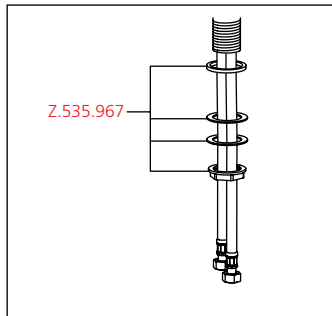
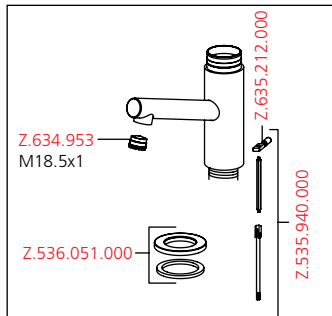
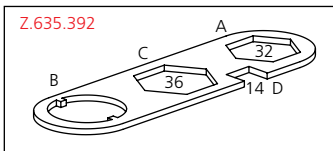
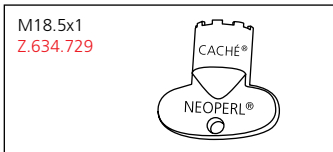
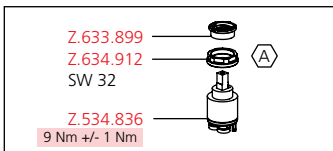
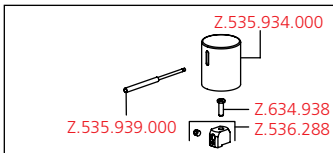
Article-No.	KWC-No.
<b>113.0315.709</b>	12.151.042.000FL
all chrome, A 125, flexible connection hoses, with pop-up valve	
<b>113.0315.710</b>	12.151.052.000FL
all chrome, A 125, flexible connection hoses, without pop-up valve	

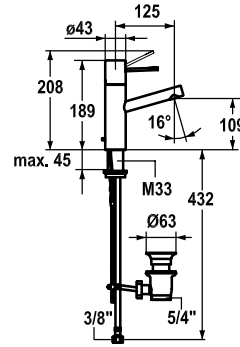
**Lever mixer ■ Basin**

Lever mixer

- Surgical-grade hardened stainless steel lever
- Fixed spout
  - Neoperl® Caché®
- KWC cartridge M 35
  - with ceramic discs
  - flow rate and temperature continuously variable
  - temperature limitation
- Flexible connection hoses 3/8"
- Fastening by means of threaded sleeve M33 x 1.5
- Mounting hole size ø35 mm

Flow rate 7.5 l/min (3 bar)  
Acoustic group I





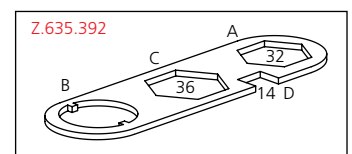
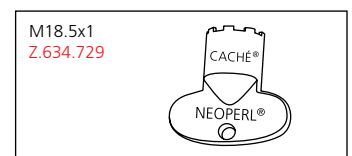
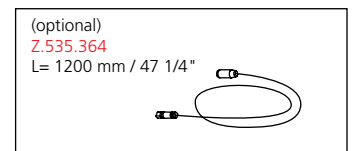
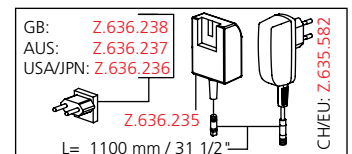
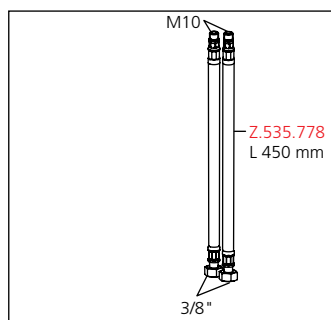
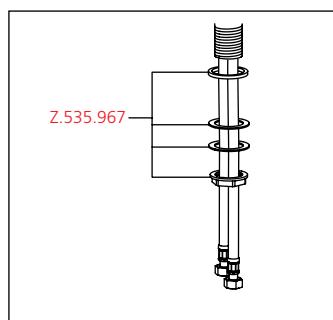
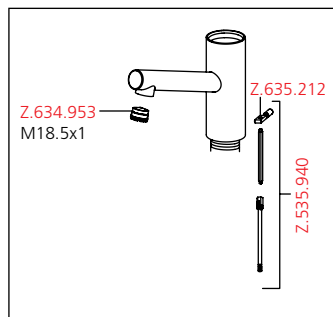
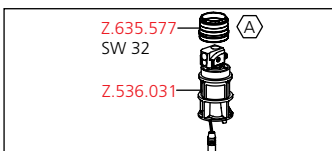
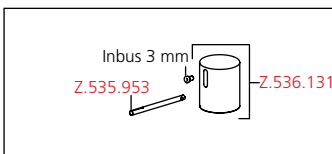
Article-No.	KWC-No.
<b>113.0315.717</b>	12.151.342.000FL
all chrome, A 125, flexible connection hoses, with pop-up valve, mains receiver	
<b>113.0315.718</b>	12.151.332.000FL
all chrome, A 125, flexible connection hoses, without pop-up valve, mains receiver	

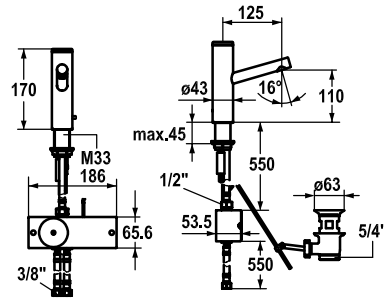
### Lever mixer ■ Basin ■ with LED-technology

#### Lever mixer

- lightpin with real time temperature indicator (color lightpin)
  - light switches on automatically when touched
  - cold water, light pin color: blue
  - mix water, light pin color: purple (linear from blue to red)
  - hot water, light pin color: red
  - after use: lightpin switches off automatically after 60 sec
- Safety mode
  - during/after use: temperature > 45°C - light pin color blinking red
  - after use: lightpin switches off automatically when temperature falls below 38°C
- Fixed spout
  - Neoperl® Caché®
- KWC light pin unit with ceramic discs
  - flow rate and temperature continuously variable
- Flexible connection hoses 3/8"
- Fastening by means of threaded sleeve M33 x 1.5
- Mounting hole size ø35 mm
- Scope of delivery:
  - Mains receiver 100-240 V / operating voltage 6.75 V / cable length 1100 mm

Flow rate 7.5 l/min (3 bar)  
Acoustic group I





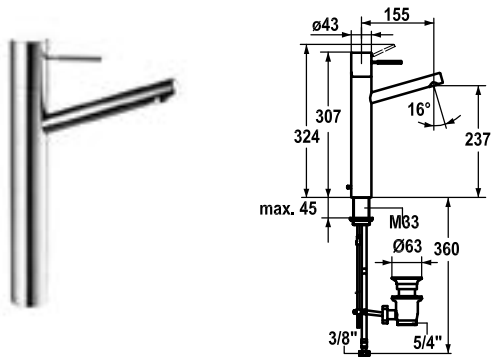
Article-No.	KWC-No.
<b>113.0315.698</b>	12.151.432.000FL
all chrome, A 125, flexible connection hoses, with pop-up valve, battery	
<b>113.0315.701</b>	12.151.402.000FL
all chrome, A 125, flexible connection hoses, without pop-up valve, battery	
<b>113.0315.699</b>	12.151.442.000FL
all chrome, A 125, flexible connection hoses, with pop-up valve, mains receiver	
<b>113.0315.702</b>	12.151.412.000FL
all chrome, A 125, flexible connection hoses, without pop-up valve, mains receiver	
<b>113.0315.700</b>	12.151.452.000FL
all chrome, A 125, flexible connection hoses, with pop-up valve, power supply for concealed installation	
<b>113.0315.703</b>	12.151.422.000FL
all chrome, A 125, flexible connection hoses, without pop-up valve, power supply for concealed installation	

**Automatic, low-contact ■ Basin ■ with LED-technology**

- Automatic
  - DDSA® sensor technology radiation-free
  - touch light
    - regulation by tapping
    - 1 x tapping - cold water, lightening color: blue
    - 2 x tapping - mix water, lightening color: orange
    - 3 x tapping - hot water, lightening color: red
    - 1 x tapping for 5 sec. - cleaning mode, lightening color: green
  - Microprocessor-control
    - with cleaning programme
    - duration of water flow - 10 seconds
  - Fixed spout
    - Neoperl® Caché®
  - Valve unit
    - two-way
    - control of three temperature grades
    - temperature limitation
    - water flow not adjustable
  - Flexible connection hoses 3/8"
  - Fastening by means of threaded sleeve M33 x 1.5
  - Mounting hole size ø35 mm
  - Scope of delivery:
    - Battery 1.5 V Alkaline AA LR6 (4x)
    - lifespan at 50 circuits/day: 1 year
    - Mains receiver 100-240 V / operating voltage 6.5 V / cable length 1100 mm
    - Power supply for concealed installation 100-240 V / operating voltage 6.5 V / cable length 1100 mm

Flow rate 5 l/min (3 bar)  
Acoustic group I

<p>Z.536.035 1/2"</p>	<p>Z.635.649 M18.5x1 Z.635.212 Z.535.940</p>	<p>M18.5x1 Z.634.729 CACHE® NEOPERL®</p>	<p>Z.635.581 1.5V AA LR6</p>
<p>M10 Z.635.585 L 400 mm 3/8" Z.636.943</p>	<p>Z.535.967 Z.635.584 L 600 mm 1/2"</p>	<p>M10 Z.635.584 L 600 mm 1/2"</p>	<p>GB: Z.636.238 AUS: Z.636.237 USA/JPN: Z.636.236 Z.636.235 L= 1100 mm / 31 1/2" CH/EU: Z.635.582</p>
			<p>Z.635.646</p>
			<p>Z.635.583</p>



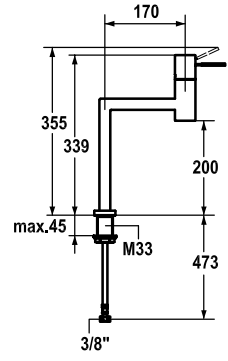
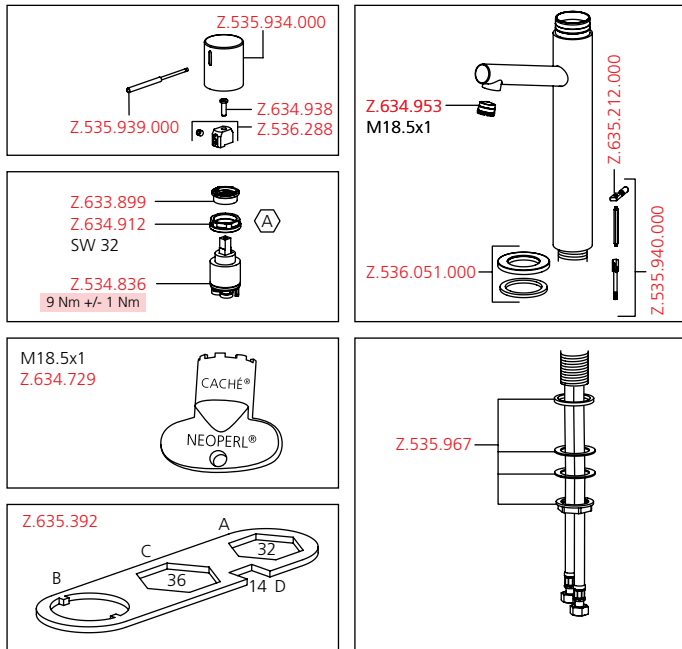
Article-No.	KWC-No.
<b>113.0315.705</b>	12.151.393.000FL
all chrome, A 155, flexible connection hoses, with pop-up valve	
<b>113.0315.689</b>	12.151.093.000FL
all chrome, A 155, flexible connection hoses, without pop-up valve	

**Lever mixer ■ Basin**

Lever mixer

- For top-mounted basins
- Surgical-grade hardened stainless steel lever
- Fixed spout
  - Neoperl® Caché®
- KWC cartridge M 35
  - with ceramic discs
  - flow rate and temperature continuously variable
  - temperature limitation
- Flexible connection hoses 3/8"
- Fastening by means of threaded sleeve M33 x 1.5
- Mounting hole size ø35 mm

Flow rate 7.5 l/min (3 bar)  
Acoustic group I



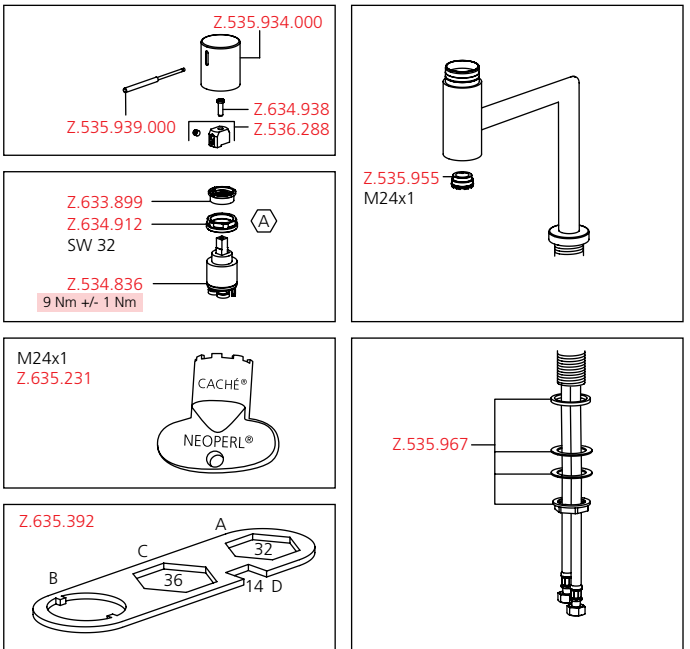
Article-No.	KWC-No.
<b>113.0315.711</b>	12.151.293.000FL
all chrome, A 170, flexible connection hoses, without pop-up valve	

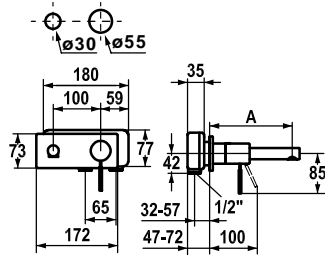
**Lever mixer ■ Basin**

Lever mixer

- For top-mounted basins
- Surgical-grade hardened stainless steel lever
- Fixed spout
  - Neoperl® Caché®
- KWC cartridge M 35
  - with ceramic discs
  - flow rate and temperature continuously variable
  - temperature limitation
- Flexible connection hoses 3/8"
- Fastening by means of threaded sleeve M33 x 1.5
- Mounting hole size ø35 mm

Flow rate 7 l/min (3 bar)  
Acoustic group I





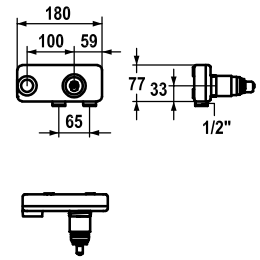
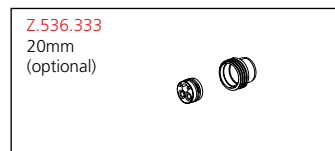
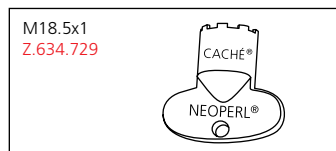
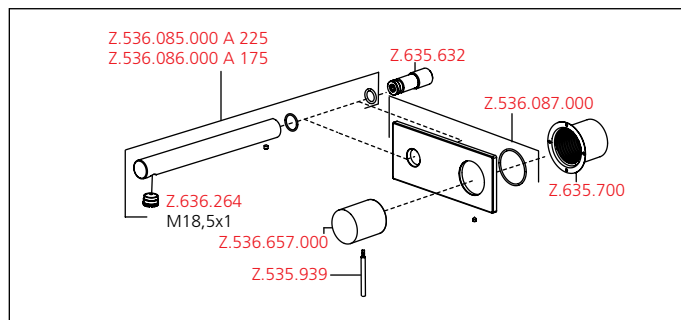
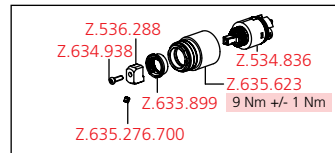
Article-No.	KWC-No.
<b>115.0308.178</b>	11.152.033.000
all chrome, A 175, Trim kit	
<b>115.0308.179</b>	11.152.034.000
all chrome, A 225, Trim kit	

**Trim kit ■ Lever mixer ■ Basin**

**Lever mixer**

- Surgical-grade hardened stainless steel lever
- Fixed spout
  - Neoperl® Caché®
- KWC cartridge M 35
  - with ceramic discs
  - flow rate and temperature continuously variable
  - temperature limitation
- To be ordered separately:
  - Unit for concealed installation 1/2" 39.151.400.931
- To be ordered separately (optional or if necessary):
  - Extension set 20 mm Z.536.333

Flow rate 7.5 l/min (3 bar)  
Acoustic group I

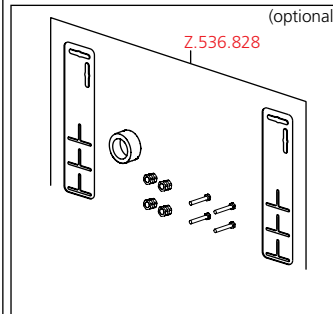


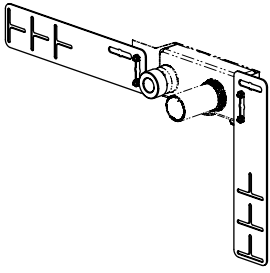
Article-No.	KWC-No.
<b>112.0308.148</b>	39.151.400.931
Concealed unit	

**Concealed unit**

**Concealed unit wall two hole**

- Connecting thread 1/2"
- To be ordered separately:
  - Installation kit Z.536.828



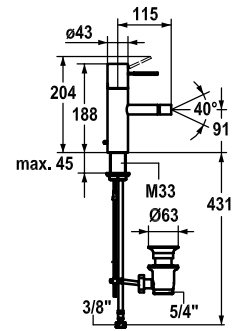


Article-No.	KWC-No.
<b>112.0362.929</b>	Z.536.828

### Installation kit

#### Installation kit

- Suitable for:
  - Concealed unit wall two hole



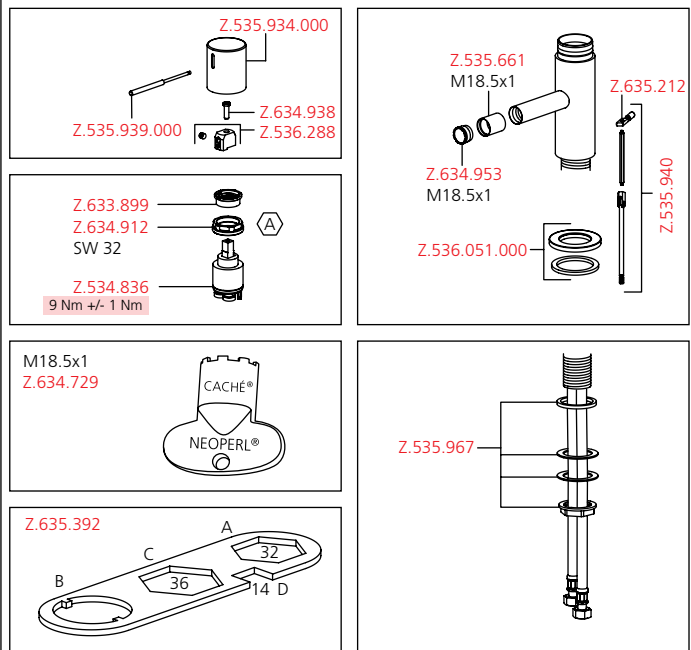
Article-No.	KWC-No.
<b>113.0315.690</b>	13.151.041.000FL
all chrome, A 115, flexible connection hoses, with pop-up valve	

### Lever mixer ▪ Bidet

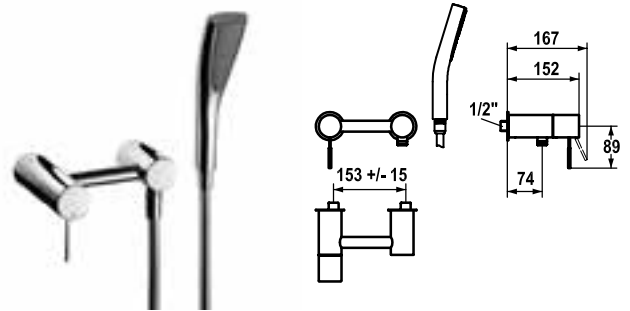
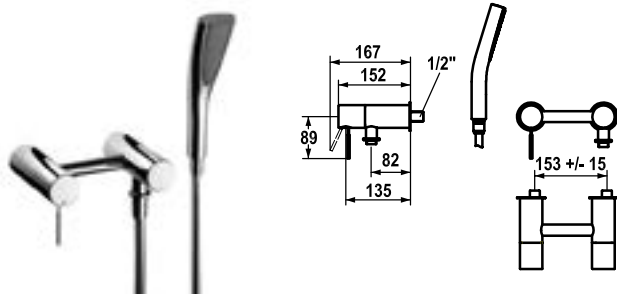
#### Lever mixer

- Surgical-grade hardened stainless steel lever
- Fixed spout
  - ball joint aerator Neoperl® Caché®
- KWC cartridge M 35
  - with ceramic discs
  - flow rate and temperature continuously variable
  - temperature limitation
- Flexible connection hoses 3/8"
- Fastening by means of threaded sleeve M33 x 1.5
- Mounting hole size ø35 mm

Flow rate 11 l/min (3 bar)  
Acoustic group I







Article-No.	KWC-No.
<b>113.0315.691</b>	20.152.422.000
all chrome, AD 153 +/- 15 mm, A 135, with hand shower and hose	
<b>113.0315.693</b>	20.152.442.000
all chrome, AD 153 +/- 15 mm, A 135, without hand shower and hose	

Article-No.	KWC-No.
<b>113.0315.692</b>	21.152.030.000
all chrome, AD 153 +/- 15 mm, with hand shower and hose	
<b>113.0315.694</b>	21.152.330.000
all chrome, AD 153 +/- 15 mm, without hand shower and hose	

**Lever mixer ■ Tub**

Lever mixer

- Surgical-grade hardened stainless steel lever
- Diverter with automatic reset
- Intrinsically safe against backflow
- Rotatable spout 60°
  - Neoperl® Caché®
- KWC cartridge L 40
  - with ceramic discs
  - flow rate and temperature continuously variable
  - temperature and flow rate limitation
- S-shaped connections 1/2" (covered)
- Scope of delivery:
  - Hand shower KWC ELY mono 26.000.120.000
  - Shower hose 1800 mm, plastic 26.001.014.000

**Lever mixer ■ Shower**

Lever mixer

- Surgical-grade hardened stainless steel lever
- Intrinsically safe against backflow
- KWC cartridge L 40
  - with ceramic discs
  - flow rate and temperature continuously variable
  - temperature and flow rate limitation
- S-shaped connections 1/2" (covered)
- Scope of delivery:
  - Hand shower KWC ELY mono 26.000.120.000
  - Shower hose 1800 mm, plastic 26.001.014.000

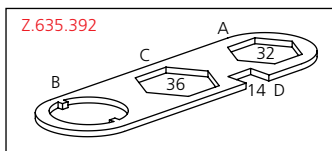
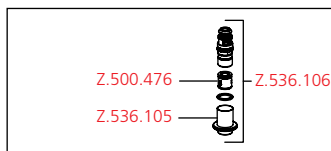
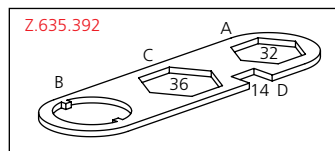
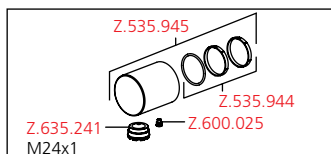
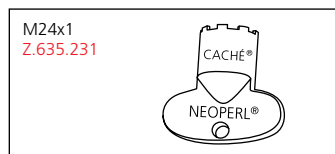
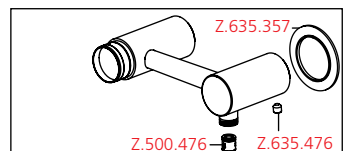
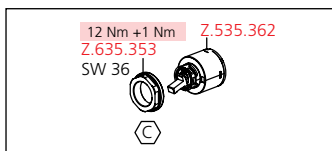
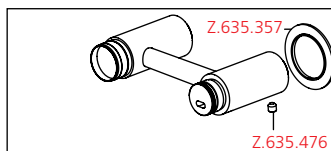
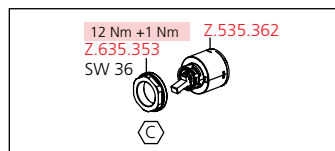
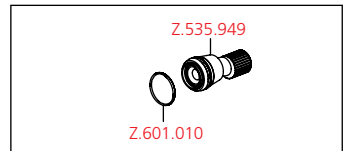
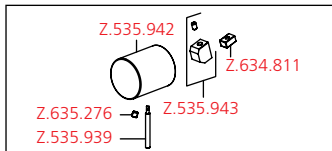
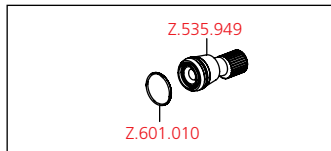
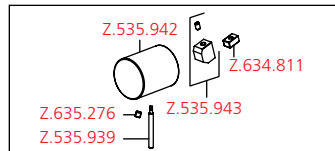
Flow rate 20 l/min (3 bar)

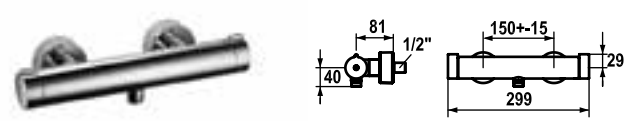
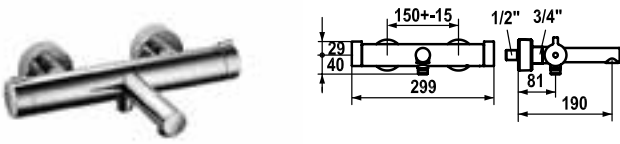
Spray outlet: Flow rate 17 l/min (3 bar)

Spray outlet: Acoustic group I

Spray outlet: Flow rate 17 l/min (3 bar)

Spray outlet: Acoustic group I





Article-No.	KWC-No.
<b>113.0396.212</b>	20.152.503.000
all chrome, AD 150 +/- 15 mm, A 190, without hand shower and hose	

Article-No.	KWC-No.
<b>113.0396.214</b>	21.152.500.000
all chrome, AD 150 +/- 15 mm, without hand shower and hose	

**Thermostatic mixer ▀ Tub**

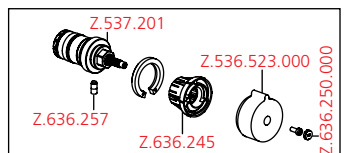
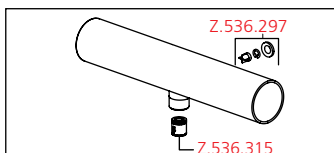
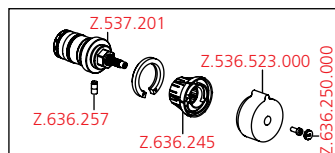
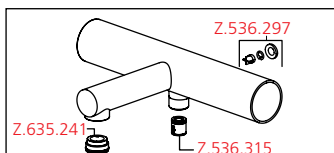
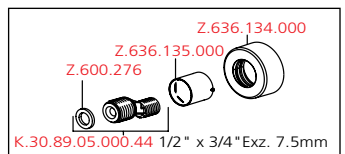
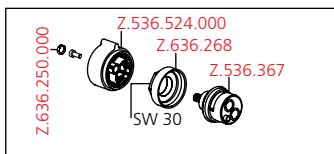
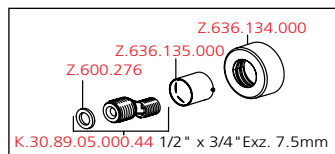
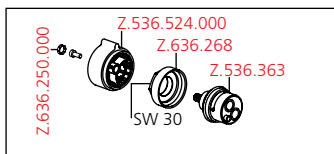
Thermostat

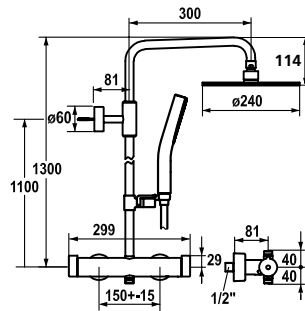
- smartControl - water-saving device
- touchControl - the body of the mixer does not become hot
- hotControl - temperature handle with safety stop button 38°C
- Turning handle to control flow and for diverter
- Intrinsically safe against backflow
- Fixed spout
  - Neoperl® Caché®
- Thermostatic precision control unit
  - constant water temperature (even when mains pressure fluctuates)
  - fast response
- Concealed wall connections 1/2" x 3/4", without shut-off valve L 46 eccentric 7.5 mm

**Thermostatic mixer ▀ Shower**

Thermostat

- smartControl - water-saving device
- touchControl - the body of the mixer does not become hot
- hotControl - temperature handle with safety stop button 38°C
- Turning handle to control flow
- Intrinsically safe against backflow
- Thermostatic precision control unit
  - constant water temperature (even when mains pressure fluctuates)
  - fast response
- Concealed wall connections 1/2" x 3/4", without shut-off valve L 46 eccentric 7.5 mm



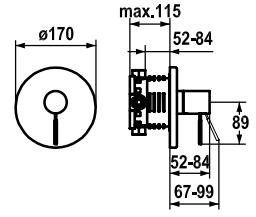
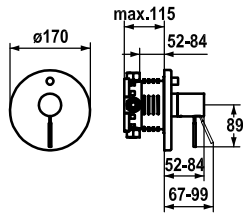


Article-No.	KWC-No.
<b>112.0396.218</b>	26.156.213.000
all chrome, AD 150 +/- 15 mm, A 300, with hand shower and hose	

### Thermostatic mixer ■ Shower system

#### Shower system KWC ONO

- smartControl - water-saving device
- touchControl - the body of the mixer does not become hot
- touchControl - the water-bearing sliding wall bar does not become hot, can be shortened to any individual length as required
- touchControl - hand shower does not become hot
- Swiveling bracket, shower head with ball joint
- hotControl - temperature handle with safety stop button 38°C
- Turning handle to control flow and for diverter
- KWC ball joint bracket, elevation adjustment lockable
- Tube diameter 20 mm
- Intrinsically safe against backflow
- Easy to install on existing connections
- Thermostatic precision control unit
  - constant water temperature (even when mains pressure fluctuates)
  - fast response
- Concealed wall connections 1/2" x 3/4", without shut-off valve L 46 eccentric 7.5 mm
- Scope of delivery:
  - Thermostat incl. wall connections with outlet (top) for water-bearing sliding wall bar
  - Hand shower KWC ELY mono 26.000.120.000
  - Shower hose 1800 mm, plastic 26.001.014.000
  - Shower head KWC PIATTO R240
  - Sliding wall bar kit 26.004.003.000
  - Shower guide rod holder (top), for connecting guide rod and spray arm



Article-No.	KWC-No.
<b>113.0315.712</b>	20.154.280.000
all chrome, Trim kit	
<b>113.0315.704</b>	20.154.290.000
all chrome, Trim kit, with vacuum breaker	

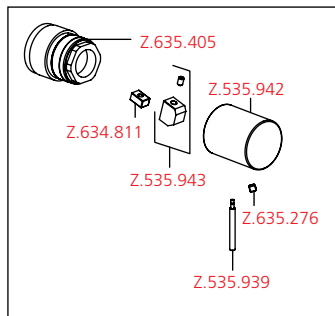
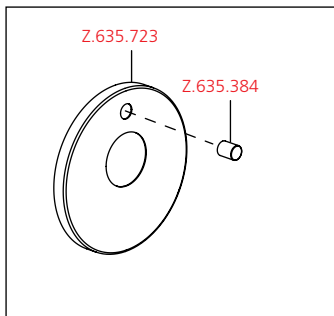
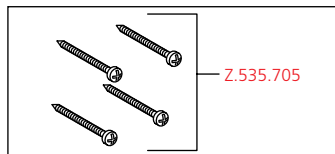
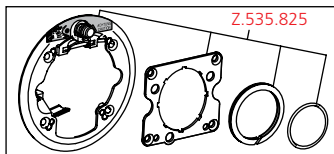
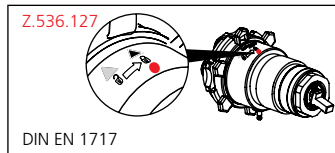
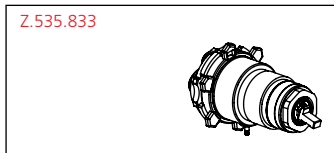
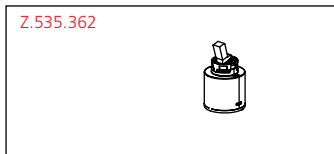
Article-No.	KWC-No.
<b>113.0315.714</b>	21.154.280.000
all chrome, Trim kit	

**Trim kit ■ Lever mixer ■ Tub**

Trim kit with function unit

- Outflow top and below
- Surgical-grade hardened stainless steel lever
- Pressure diversion
- Diverter with automatic reset
- KWC cartridge L 40
  - with ceramic discs
  - flow rate and temperature continuously variable
  - temperature and flow rate limitation
- Scope of delivery:
  - Function unit, lever, cap, sleeve, cover plate, diverter
  - Fastening of the cover plate without screws
- To be ordered separately:
  - Unit for concealed installation KWC VAROX ½" 39.999.300.931, with shut-off valves

Flow rate 21 l/min (3 bar)  
Acoustic group I

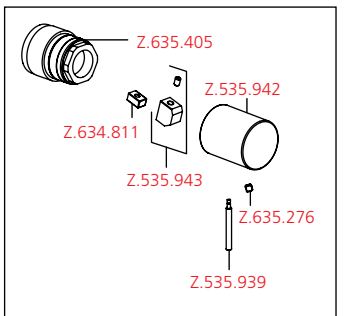
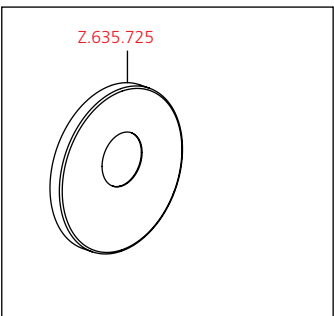
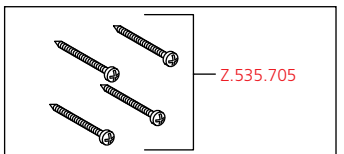
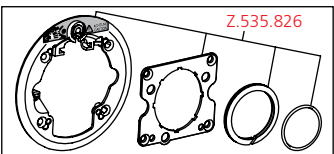
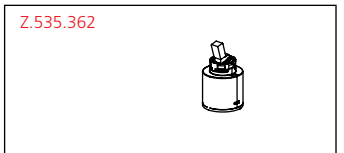
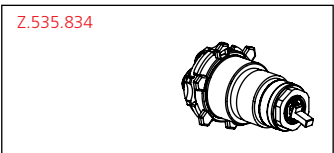


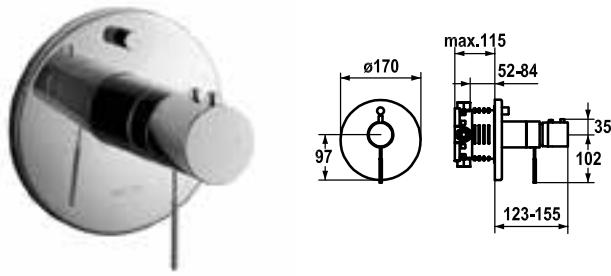
**Trim kit ■ Lever mixer ■ Shower**

Trim kit with function unit

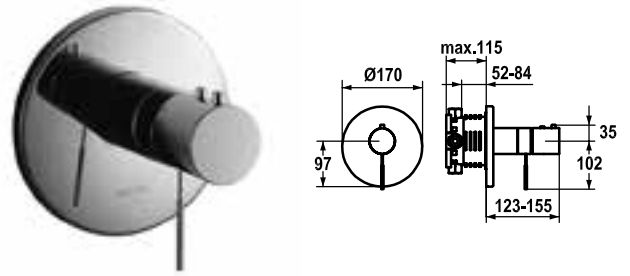
- Outflow top or below
- Surgical-grade hardened stainless steel lever
- KWC cartridge L 40
  - with ceramic discs
  - flow rate and temperature continuously variable
  - temperature and flow rate limitation
- Scope of delivery:
  - Function unit, lever, cap, sleeve, cover plate
  - Fastening of the cover plate without screws
- To be ordered separately:
  - Unit for concealed installation KWC VAROX ½" 39.999.300.931, with shut-off valves

Flow rate 21 l/min (3 bar)  
Acoustic group I





Article-No.	KWC-No.
<b>113.0315.713</b>	20.154.480.000
all chrome, Trim kit	



Article-No.	KWC-No.
<b>113.0315.715</b>	21.154.480.000
all chrome, Trim kit	

**Trim kit ■ Thermostatic mixer ■ Tub**

Trim kit with thermostatic function unit

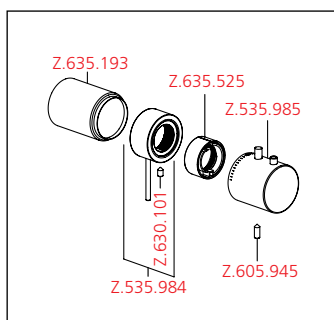
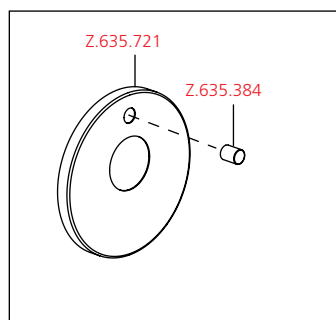
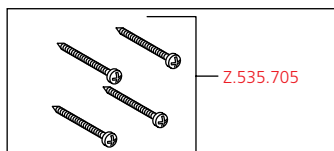
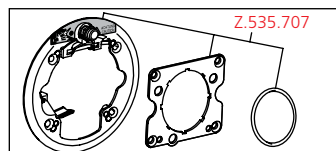
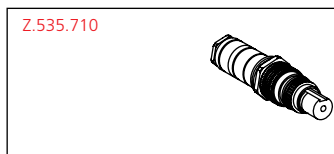
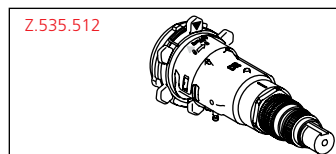
- Outflow top and below
- Surgical-grade hardened stainless steel lever
- Pressure diversion
- hotControl - temperature handle with safety stop button 38°C
- Diverter with automatic reset
- Intrinsicly safe against backflow
- Scope of delivery:
  - Function unit, flow rate adjustment lever, temperature lever, sleeve, cover plate, holder for escutcheon
  - Fastening of the cover plate without screws
- To be ordered separately:
  - Unit for concealed installation KWC VAROX ½" 39.999.300.931, with shut-off valves

**Trim kit ■ Thermostatic mixer ■ Shower**

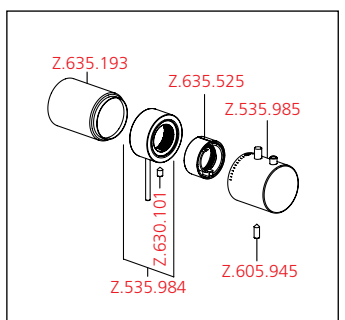
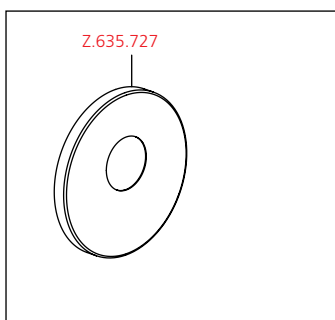
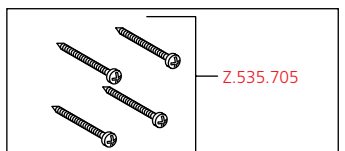
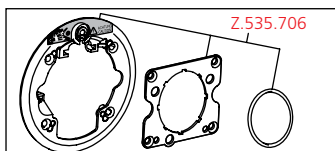
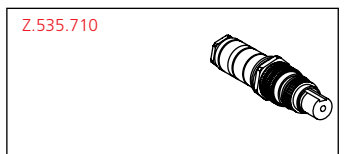
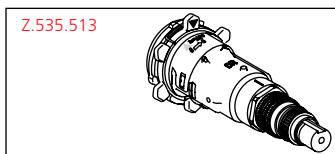
Trim kit with thermostatic function unit

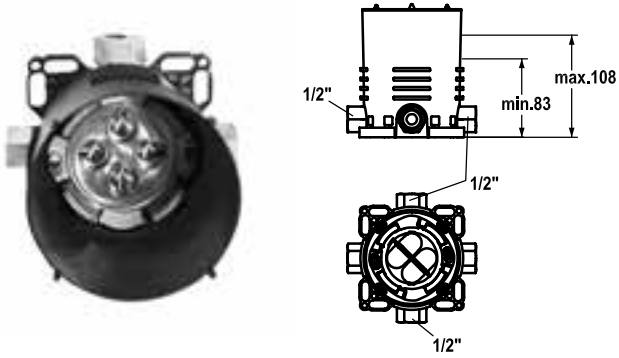
- Outflow top or below
- Surgical-grade hardened stainless steel lever
- hotControl - temperature handle with safety stop button 38°C
- Intrinsicly safe against backflow
- Scope of delivery:
  - Function unit, flow rate adjustment lever, temperature lever, sleeve, cover plate, holder for escutcheon, diverter
  - Fastening of the cover plate without screws
- To be ordered separately:
  - Unit for concealed installation KWC VAROX ½" 39.999.300.931, with shut-off valves

Flow rate 21 l/min (3 bar)  
Acoustic group I



Flow rate 21 l/min (3 bar)  
Acoustic group I





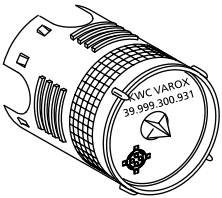
Article-No.	KWC-No.
<b>112.0315.787</b>	39.999.300.931
Concealed unit	

### Concealed unit

#### Concealed unit compact

- Integrated shut-off valves cold and hot water
- Connecting thread 1/2" (stopper 1/2" incl. in delivery)
- Scope of delivery:
  - Installation box and cover sleeve, plastic incl. sleeve gasket
  - Multifix fastening system
- To be ordered separately (optional or if necessary):
  - Extension set 20 mm Z.535.719

Z.535.701



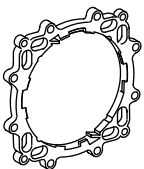
Z.535.702



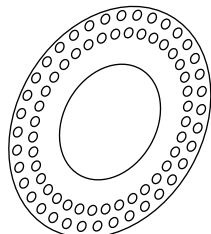
Z.535.703

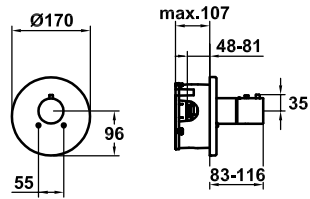


Z.635.179



Z.635.180



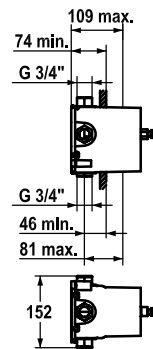


Article-No.	KWC-No.
<b>113.0315.720</b>	21.154.240.000
all chrome, Concealed unit	

#### Concealed unit ■ Thermostatic mixer ■ Shower

Trim kit for thermostatic valve

- Without diverter
- Without volume control
- hotControl - temperature handle with safety stop button 38°C
- Intrinsically safe against backflow
- To be ordered separately:
  - Unit for concealed installation ¾" 39.152.320.000

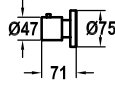


Article-No.	KWC-No.
<b>112.0315.809</b>	39.152.320.000
all chrome, Concealed unit	

#### Concealed unit ■ Thermostatic mixer

Thermostat

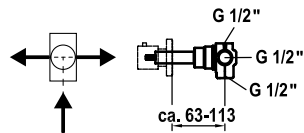
- Concealed unit
- Without diverter
- Without volume control
- Connecting thread ¾"



Article-No.	KWC-No.
<b>112.0315.802</b>	27.150.050.000
all chrome, Trim kit	

### Trim kit

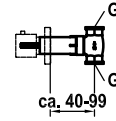
- for shut-off valve
- for multiport diverter
- for multiport shut-off valve
- To be ordered separately:
  - Unit for concealed installation
  - Shut-off valve ½" K.38.93.00.931.34
  - multiport shut-off valve ½" 39.990.011.931
  - shut-off valve ¾" K.38.H3.70.931A35



Article-No.	KWC-No.
<b>112.0315.811</b>	39.990.011.931
G ½", Concealed unit	

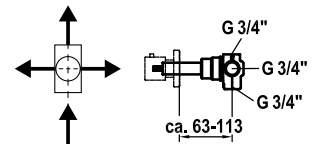
### Concealed unit for multiport shut-off valve

- With shut-off valve
- 1 mixed water inlet, 2 outlets
- Connecting thread ½"



Article-No.	KWC-No.
<b>112.0315.810</b>	K.38.93.00.931.34
G ½", Concealed unit	
<b>112.0315.785</b>	K.38.H3.70.931A35
G ¾", Concealed unit	

### Concealed unit for shut-off valve

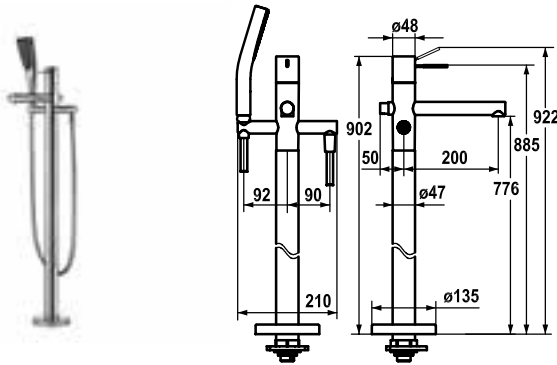


Article-No.	KWC-No.
<b>112.0315.786</b>	39.990.010.931
G ¾", Concealed unit	

### Concealed unit for multiport diverter

- Without shut-off valve
- 1 mixed water inlet, 3 outlets
- Connecting thread ¾"



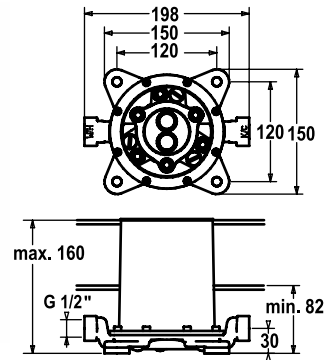
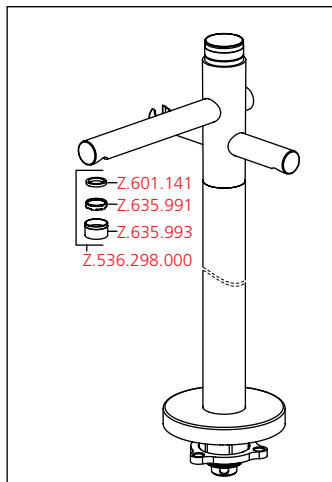
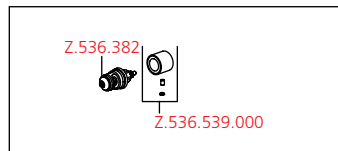
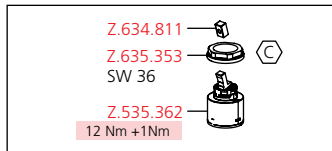
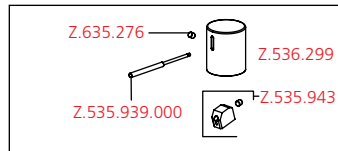


Article-No.	KWC-No.
<b>113.0315.719</b>	20.151.094.000
all chrome, A 200, with hand shower and hose	

**Lever mixer ■ Tub**

- Lever mixer
  - For freestanding tub
  - Surgical-grade hardened stainless steel lever
  - Fixed spout
    - Neoperl® SLIM®
  - KWC cartridge L 40
    - with ceramic discs
    - flow rate and temperature continuously variable
    - temperature and flow rate limitation
  - Scope of delivery:
    - Hand shower KWC ELY mono 26.000.120.000
    - Shower hose 1800 mm, plastic 26.001.014.000
  - To be ordered separately:
    - Pre-assembly unit Z.536.178

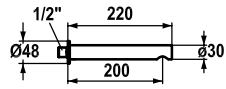
Flow rate 25 l/min (3 bar)  
 Acoustic group I  
 Spray outlet: Flow rate 12 l/min (3 bar)  
 Spray outlet: Acoustic group I



Article-No.	KWC-No.
<b>112.0315.808</b>	Z.536.178
Concealed unit	

**Concealed unit**

- Pre-assembly unit
  - Connecting thread 1/2"



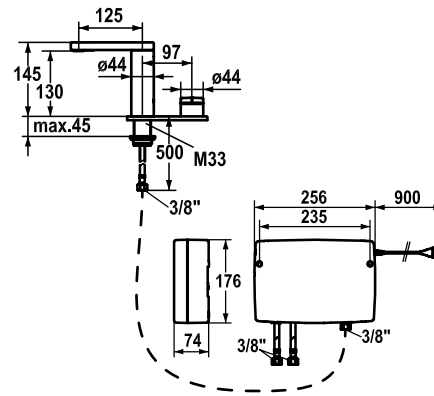
Article-No.	KWC-No.
<b>112.0315.801</b>	26.151.073.000
all chrome, A 200	

### Bathtub spout

Bathtub spout

- Fixed spout
  - Neoperl® Caché®
- Connecting thread 1/2"
- Suitable for:
  - KWC ONO

Flow rate 27 l/min (3 bar)  
Acoustic group I



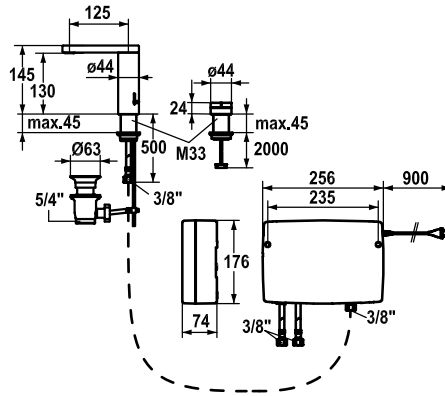
Article-No.	KWC-No.
<b>113.0315.744</b>	12.651.021.000FL
all chrome, A 125, flexible connection hoses, without pop-up valve, mains receiver	

### Basin ■ with LED-technology

#### Electronic controlled

- touch light PRO technology
  - touch'n'flow 1-2-3
  - 3 preset temperatures and flow rates
  - Microprocessor-control
    - touch'n'flow 1: cold water, 50% flow rate can be individually adjusted and saved
    - touch'n'flow 2: warm water, 50% flow rate can be individually adjusted and saved
    - touch'n'flow 3: hot water, 50% flow rate can be individually adjusted and saved
    - with cleaning programme
    - duration of water flow - safety indication: switch off automatically after 10 minutes
    - temperature limit can be adjusted
    - hot water disinfection (5 minutes) can be adjusted
    - can be restored to factory settings
  - Swivel spout 360°
    - Neoperl® SLIM®
  - touch light PRO control unit, maintenance-free
    - up-to-date microprocessor and drive technology
    - tried-and-tested valve technology
    - incl. installation materials
    - designed for wired connection to 1 operating unit (standard), wireless connection to 1 operating unit (optional)
  - Flexible connection hoses 3/8"
  - Fastening by means of threaded sleeve M33 x 1.5
  - Mounting hole size ø35 mm
- Scope of delivery:
    - Mains receiver 100-240 V / operating voltage 15 V / cable length 900 mm
    - Control unit and wired operating unit / cable length 2000 mm
  - To be ordered separately (optional or if necessary):
    - Extension set 1500 mm Z.536.352, comprising: stainless steel hose 1500 mm, 3/8" x 3/8", double nipple, sealing material
    - KWC ONO touch light PRO wireless operating unit Z.536.351.000
  - Go to [www.kwc.com](http://www.kwc.com) for comprehensive information on planning, installation and operation, or get in touch with your KWC contact person.

Flow rate 12 l/min (3 bar)  
Acoustic group I



Article-No.	KWC-No.
<b>113.0315.742</b>	12.652.011.000FL
all chrome, A 125, flexible connection hoses, with pop-up valve, mains receiver	

### Basin ■ with LED-technology

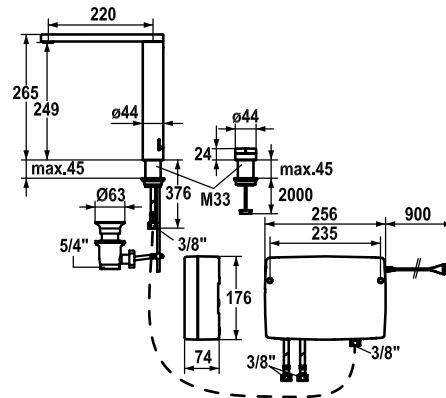
#### Electronic controlled

- touch light PRO technology
- touch'n'flow 1-2-3
- 3 preset temperatures and flow rates
- 2-hole
- Microprocessor-control
  - touch'n'flow 1: cold water, 50% flow rate can be individually adjusted and saved
  - touch'n'flow 2: warm water, 50% flow rate can be individually adjusted and saved
  - touch'n'flow 3: hot water, 50% flow rate can be individually adjusted and saved
  - with cleaning programme
  - duration of water flow - safety indication: switch off automatically after 10 minutes
  - temperature limit can be adjusted
  - hot water disinfection (5 minutes) can be adjusted
  - can be restored to factory settings
- Swivel spout 360°
  - Neoperl® SLIM®
- touch light PRO control unit, maintenance-free
  - up-to-date microprocessor and drive technology
  - tried-and-tested valve technology
  - incl. installation materials
  - designed for wired connection to 1 operating unit (standard) , wireless connection to 1 operating unit (optional)
- Flexible connection hoses 3/8"
- Fastening by means of threaded sleeve M33 x 1.5
- Mounting hole size ø35 mm

#### ▪ Scope of delivery:

- Mains receiver 100-240 V / operating voltage 15 V / cable length 900 mm
- Control unit and wired operating unit / cable length 2000 mm
- To be ordered separately (optional or if necessary):
  - Extension set 1500 mm Z.536.352, comprising: stainless steel hose 1500 mm, 3/8" x 3/8", double nipple, sealing material
  - KWC ONO touch light PRO wireless operating unit Z.536.351.000
- Go to [www.kwc.com](http://www.kwc.com) for comprehensive information on planning, installation and operation, or get in touch with your KWC contact person.

Flow rate 12 l/min (3 bar)  
Acoustic group I



Article-No.	KWC-No.
<b>113.0315.745</b>	12.652.012.000FL
all chrome, A 220, flexible connection hoses, with pop-up valve, mains receiver	
<b>113.0315.747</b>	12.652.122.000FL
all chrome, A 220, flexible connection hoses, without pop-up valve, mains receiver	

## Basin ■ with LED-technology

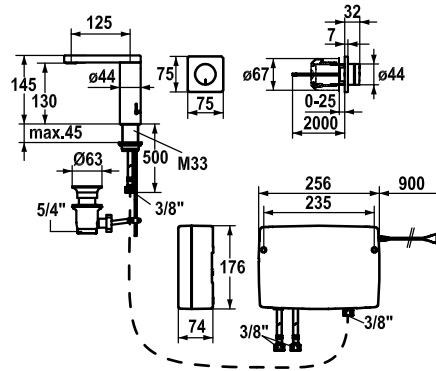
### Electronic controlled

- touch light PRO technology
- For top-mounted basins
- touch'n'flow 1-2-3
- 3 preset temperatures and flow rates
- 2-hole
- Microprocessor-control
  - touch'n'flow 1: cold water, 50% flow rate can be individually adjusted and saved
  - touch'n'flow 2: warm water, 50% flow rate can be individually adjusted and saved
  - touch'n'flow 3: hot water, 50% flow rate can be individually adjusted and saved
  - with cleaning programme
  - duration of water flow - safety indication: switch off automatically after 10 minutes
  - temperature limit can be adjusted
  - hot water disinfection (5 minutes) can be adjusted
  - can be restored to factory settings
- Swivel spout 360°
  - Neoperl® SLIM®
- touch light PRO control unit, maintenance-free
  - up-to-date microprocessor and drive technology
  - tried-and-tested valve technology
  - incl. installation materials
  - designed for wired connection to 1 operating unit (standard), wireless connection to 1 operating unit (optional)
- Flexible connection hoses 3/8"
- Fastening by means of threaded sleeve M33 x 1.5
- Mounting hole size 35 mm

### ▪ Scope of delivery:

- Mains receiver 100-240 V / operating voltage 15 V / cable length 900 mm
- Control unit and wired operating unit / cable length 2000 mm
- To be ordered separately (optional or if necessary):
  - Extension set 1500 mm Z.536.352, comprising: stainless steel hose 1500 mm, 3/8" x 3/8", double nipple, sealing material
  - KWC ONO touch light PRO wireless operating unit Z.536.351.000
- Go to [www.kwc.com](http://www.kwc.com) for comprehensive information on planning, installation and operation, or get in touch with your KWC contact person.

Flow rate 9 l/min (3 bar)  
Acoustic group I



Article-No.	KWC-No.
<b>113.0315.743</b>	12.651.031.000FL
all chrome, A 125, flexible connection hoses, with pop-up valve, mains receiver	
<b>112.0308.152</b>	Z.636.183
Concealed unit	

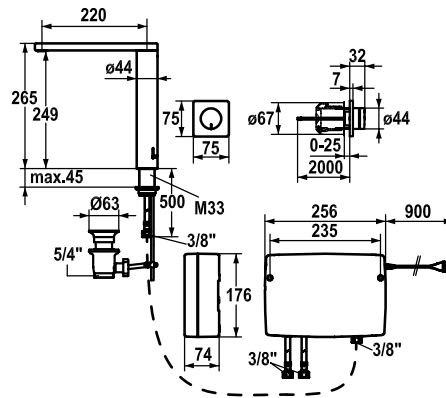
## Basin ■ with LED-technology

### Electronic controlled

- touch light PRO technology
- touch'n'flow 1-2-3
- 3 preset temperatures and flow rates
- Microprocessor-control
  - touch'n'flow 1: cold water, 50% flow rate can be individually adjusted and saved
  - touch'n'flow 2: warm water, 50% flow rate can be individually adjusted and saved
  - touch'n'flow 3: hot water, 50% flow rate can be individually adjusted and saved
  - with cleaning programme
  - duration of water flow - safety indication: switch off automatically after 10 minutes
  - temperature limit can be adjusted
  - hot water disinfection (5 minutes) can be adjusted
  - can be restored to factory settings
- Swivel spout 360°
  - Neoperl® SLIM®
- touch light PRO control unit, maintenance-free
  - up-to-date microprocessor and drive technology
  - tried-and-tested valve technology
  - incl. installation materials
  - designed for wired connection to 1 operating unit (standard), wireless connection to 1 operating unit (optional)
- Flexible connection hoses 3/8"
- Fastening by means of threaded sleeve M33 x 1.5
- Mounting hole size ø35 mm

- Scope of delivery:
  - Mains receiver 100-240 V / operating voltage 15 V / cable length 900 mm
  - Control unit and wired operating unit / cable length 2000 mm
- To be ordered separately:
  - Rough in for operating unit Z.636.183
- To be ordered separately (optional or if necessary):
  - Extension set 1500 mm Z.536.352, comprising: stainless steel hose 1500 mm, 3/8" x 3/8", double nipple, sealing material
  - KWC ONO touch light PRO wireless operating unit Z.536.351.000
- Go to [www.kwc.com](http://www.kwc.com) for comprehensive information on planning, installation and operation, or get in touch with your KWC contact person.

Flow rate 12 l/min (3 bar)  
Acoustic group I



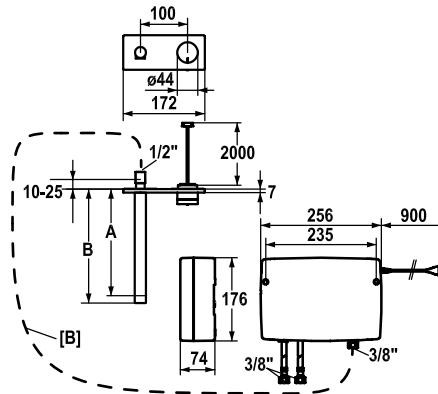
Article-No.	KWC-No.
<b>113.0315.746</b>	12.651.032.000FL
all chrome, A 220, flexible connection hoses, with pop-up valve, mains receiver	
<b>113.0315.748</b>	12.651.132.000FL
all chrome, A 220, flexible connection hoses, without pop-up valve, mains receiver	
<b>112.0308.152</b>	Z.636.183
Concealed unit	

## Basin ■ with LED-technology

### Electronic controlled

- touch light PRO technology
  - For top-mounted basins
  - touch'n'flow 1-2-3
  - 3 preset temperatures and flow rates
  - Microprocessor-control
    - touch'n'flow 1: cold water, 50% flow rate can be individually adjusted and saved
    - touch'n'flow 2: warm water, 50% flow rate can be individually adjusted and saved
    - touch'n'flow 3: hot water, 50% flow rate can be individually adjusted and saved
    - with cleaning programme
    - duration of water flow - safety indication: switch off automatically after 10 minutes
    - temperature limit can be adjusted
    - hot water disinfection (5 minutes) can be adjusted
    - can be restored to factory settings
  - Swivel spout 360°
    - Neoperl® SLIM®
  - touch light PRO control unit, maintenance-free
    - up-to-date microprocessor and drive technology
    - tried-and-tested valve technology
    - incl. installation materials
    - designed for wired connection to 1 operating unit (standard), wireless connection to 1 operating unit (optional)
  - Flexible connection hoses 3/8"
  - Fastening by means of threaded sleeve M33 x 1.5
  - Mounting hole size ø35 mm
- Scope of delivery:
    - Mains receiver 100-240 V / operating voltage 15 V / cable length 900 mm
    - Control unit and wired operating unit / cable length 2000 mm
  - To be ordered separately:
    - Rough in for operating unit Z.636.183
  - To be ordered separately (optional or if necessary):
    - Extension set 1500 mm Z.536.352, comprising: stainless steel hose 1500 mm, 3/8" x 3/8", double nipple, sealing material
    - KWC ONO touch light PRO wireless operating unit Z.536.351.000
  - Go to [www.kwc.com](http://www.kwc.com) for comprehensive information on planning, installation and operation, or get in touch with your KWC contact person.

Flow rate 9 l/min (3 bar)  
Acoustic group I



Article-No.	KWC-No.
<b>115.0308.223</b>	11.654.003.000
all chrome, A 175, mains receiver, Trim kit	
<b>115.0308.224</b>	11.654.004.000
all chrome, A 225, mains receiver, Trim kit	
<b>112.0308.150</b>	39.004.500.931
Concealed unit	

### Trim kit ■ Kitchen ■ Basin ■ with LED-technology

#### Electronic controlled

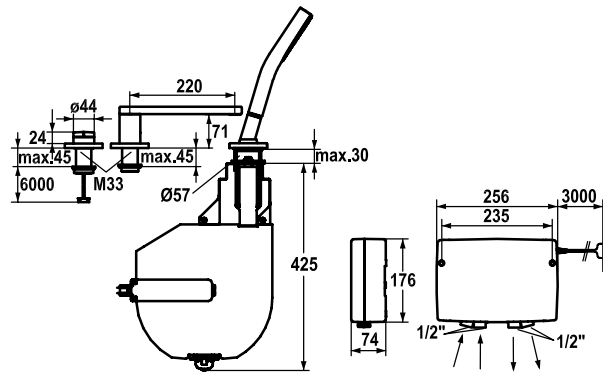
- touch light PRO technology
- touch'n'flow 1-2-3
- 3 preset temperatures and flow rates
- Microprocessor-control
  - touch'n'flow 1: cold water, 50% flow rate can be individually adjusted and saved
  - touch'n'flow 2: warm water, 50% flow rate can be individually adjusted and saved
  - touch'n'flow 3: hot water, 50% flow rate can be individually adjusted and saved
  - with cleaning programme
  - duration of water flow - safety indication: switch off automatically after 10 minutes
  - temperature limit can be adjusted
  - hot water disinfection (5 minutes) can be adjusted
  - can be restored to factory settings
- Fixed spout
  - Neoperl® SLIM®
- touch light PRO control unit, maintenance-free
  - up-to-date microprocessor and drive technology
  - tried-and-tested valve technology
  - incl. installation materials
  - designed for wired connection to 1 operating unit (standard), wireless connection to 1 operating unit (optional)
- Connecting thread 1/2"
  - [B] - Water guidance from control unit to spout: responsibility of client
- Flexible connection hoses 3/8"

#### ■ Scope of delivery:

- Mains receiver 100-240 V / operating voltage 15 V / cable length 900 mm
- Control unit and wired operating unit / cable length 2000 mm
- To be ordered separately:
  - Unit for concealed installation 39.004.500.931
- To be ordered separately (optional or if necessary):
  - Extension set 1500 mm Z.536.352, comprising: stainless steel hose 1500 mm, 3/8" x 3/8", double nipple, sealing material
  - KWC ONO touch light PRO wireless operating unit Z.536.351.000
- Go to [www.kwc.com](http://www.kwc.com) for comprehensive information on planning, installation and operation, or get in touch with your KWC contact person.

Flow rate 12 l/min (3 bar)  
Acoustic group I





Article-No.	KWC-No.
<b>113.0315.752</b>	20.657.023.000
all chrome, A 220, power supply for concealed installation, Trim kit	

### Trim kit ■ Thermostatic mixer ■ Tub ■ Roman tub ■ with LED-technology

#### Electronic controlled

- touch light PRO technology
- touch'n'flow 1-2-3
- 3 preset temperatures and flow rates
- Microprocessor-control
  - touch'n'flow 1: 12°C, 100% flow rate can be individually adjusted and saved
  - touch'n'flow 2: 25°C, 100% flow rate can be individually adjusted and saved
  - touch'n'flow 3: 38°C, 100% flow rate can be individually adjusted and saved
  - temperatures above 40°C cannot be saved due to EU regulations
  - with cleaning programme
  - duration of water flow - adjustable, max. 45 minutes (then switches off automatically)
  - switching between two outlets possible (bath/hand shower)
  - overrule of the 40°C limit possible
  - if the temperature falls below 37°C, the 40°C limit is reactivated
  - hot water disinfection (5 minutes) can be adjusted
  - can be restored to factory settings
- Swivel spout 360°
  - Neoperl® SLIM®
- touch light PRO control unit, maintenance-free
  - up-to-date microprocessor and drive technology
  - tried-and-tested valve technology
  - incl. installation materials
  - designed for wired connection to 1 operating unit (standard), wireless connection to 1 operating unit (optional)
- Connecting thread ½"

#### ▪ Scope of delivery:

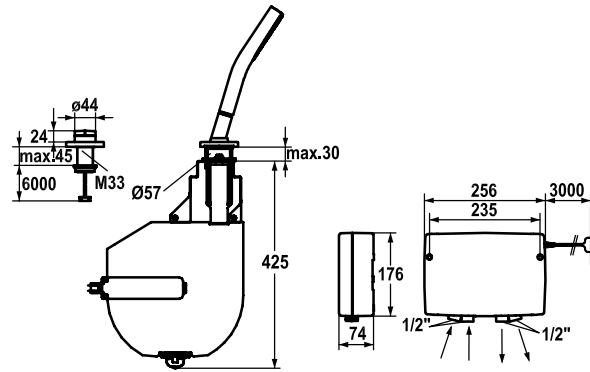
- Control unit and wired operating unit / cable length 6000 mm
- power supply 100-240 V (without plug / operating voltage 15 V / cable length 3000 mm)
- Bathtub spout
- Hose box with automatic hose rewind and hand shower
- To be ordered separately (optional or if necessary):
  - KWC ONO touch light PRO wireless operating unit Z.536.351.000
  - Installation and inspection box 39.000.510.931 Bypass for pressure testing and rinsing Z.536.405
- Go to [www.kwc.com](http://www.kwc.com) for comprehensive information on planning, installation and operation, or get in touch with your KWC contact person.

Flow rate 17 l/min (3 bar)

Acoustic group I

Spray outlet: Flow rate 19 l/min (3 bar)

Spray outlet: Acoustic group I



Article-No.	KWC-No.
<b>113.0315.753</b>	20.657.120.000
all chrome, power supply for concealed installation, Trim kit	

### Trim kit ■ Thermostatic mixer ■ Tub ■ Roman tub ■ with LED-technology

#### Electronic controlled

- touch light PRO technology
- touch'n'flow 1-2-3
- 3 preset temperatures and flow rates
- Microprocessor-control
  - touch'n'flow 1: 12°C, 100% flow rate can be individually adjusted and saved
  - touch'n'flow 2: 25°C, 100% flow rate can be individually adjusted and saved
  - touch'n'flow 3: 38°C, 100% flow rate can be individually adjusted and saved
  - temperatures above 40°C cannot be saved due to EU regulations
  - with cleaning programme
  - duration of water flow - adjustable, max. 45 minutes (then switches off automatically)
  - switching between two outlets possible (bath/hand shower)
  - overrule of the 40°C limit possible
  - if the temperature falls below 37°C, the 40°C limit is reactivated
  - hot water disinfection (5 minutes) can be adjusted
  - can be restored to factory settings
- touch light PRO control unit, maintenance-free
  - up-to-date microprocessor and drive technology
  - tried-and-tested valve technology
  - incl. installation materials
  - designed for wired connection to 1 operating unit (standard), wireless connection to 1 operating unit (optional)
- Connecting thread ½"

#### ■ Scope of delivery:

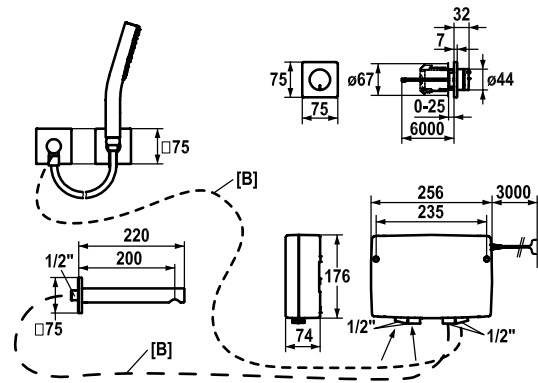
- Control unit and wired operating unit / cable length 6000 mm
- power supply 100-240 V (without plug / operating voltage 15 V / cable length 3000 mm)
- Hose box with automatic hose rewind and hand shower
- To be ordered separately:
  - Z.535.067.000 installation kit, bathtub and pop-up waste fittings
  - Z.535.068.000 installation kit, bathtub and pop-up-waste fittings, extended overflow for special bathtubs
  - Z.535.069 connection hose for installation kit (necessary for Z.535.067.000 or Z.535.068.000)
  - Z.535.070.000 trim kit for installation kit Z.535.067.000 or Z.535.068.000
  - Z.535.071 pipe disconnecter (necessary for Z.535.067.000 or Z.535.068.000)
  - Z.634.456.000 trim kit for pipe disconnecter Z.535.071
- To be ordered separately (optional or if necessary):
  - KWC ONO touch light PRO wireless operating unit Z.536.351.000
  - Installation and inspection box 39.000.510.931 Bypass for pressure testing and rinsing Z.536.405
- Go to [www.kwc.com](http://www.kwc.com) for comprehensive information on planning, installation and operation, or get in touch with your KWC contact person.

Flow rate 22 l/min (3 bar)

Acoustic group I

Spray outlet: Flow rate 19 l/min (3 bar)

Spray outlet: Acoustic group I



Article-No.	KWC-No.
<b>113.0315.754</b>	20.657.234.000
all chrome, A 200, power supply for concealed installation, with hand shower, hose and bracket, Trim kit	
<b>112.0308.152</b>	Z.636.183
Concealed unit	

### Trim kit ■ Thermostatic mixer ■ Tub ■ with LED-technology

#### Electronic controlled

- touch light PRO technology
- touch'n'flow 1-2-3
- 3 preset temperatures and flow rates
- Microprocessor-control
  - touch'n'flow 1: 12°C, 100% flow rate can be individually adjusted and saved
  - touch'n'flow 2: 25°C, 100% flow rate can be individually adjusted and saved
  - touch'n'flow 3: 38°C, 100% flow rate can be individually adjusted and saved
  - temperatures above 40°C cannot be saved due to EU regulations
  - with cleaning programme
  - duration of water flow - adjustable, max. 45 minutes (then switches off automatically)
  - switching between two outlets possible (bath/hand shower)
  - overrule of the 40°C limit possible
  - if the temperature falls below 37°C, the 40°C limit is reactivated
  - hot water disinfection (5 minutes) can be adjusted
  - can be restored to factory settings
- Fixed spout
  - Neoperl® SLIM®
- touch light PRO control unit, maintenance-free
  - up-to-date microprocessor and drive technology
  - tried-and-tested valve technology
  - incl. installation materials
  - designed for wired connection to 1 operating unit (standard), wireless connection to 1 operating unit (optional)
- Connecting thread 1/2"
  - [B] - Water guidance from control unit to spout and hand shower: responsibility of client

#### ▪ Scope of delivery:

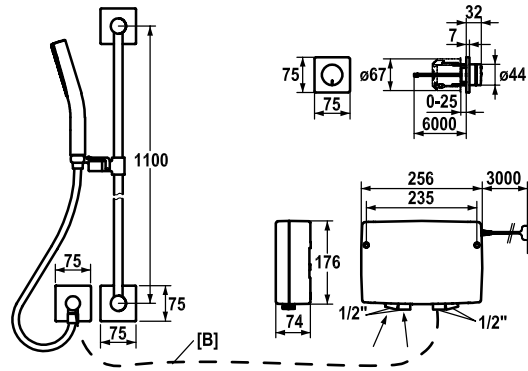
- Control unit and wired operating unit / cable length 6000 mm
- power supply 100-240 V (without plug / operating voltage 15 V / cable length 3000 mm)
- Bathtub spout
- Hose connection
- To be ordered separately:
  - Rough in for operating unit Z.636.183
- To be ordered separately (optional or if necessary):
  - KWC ONO touch light PRO wireless operating unit Z.536.351.000
  - Installation and inspection box 39.000.510.931 Bypass for pressure testing and rinsing Z.536.405
- Go to [www.kwc.com](http://www.kwc.com) for comprehensive information on planning, installation and operation, or get in touch with your KWC contact person.

Flow rate 18 l/min (3 bar)

Acoustic group I

Spray outlet: Flow rate 19 l/min (3 bar)

Spray outlet: Acoustic group I



Article-No.	KWC-No.
<b>113.0315.749</b>	21.654.010.000
all chrome, L 1100, power supply for concealed installation, with hand shower and hose, Trim kit	
<b>112.0308.152</b>	Z.636.183
Concealed unit	

### Trim kit ■ Thermostatic mixer ■ Shower ■ with LED-technology

#### Electronic controlled

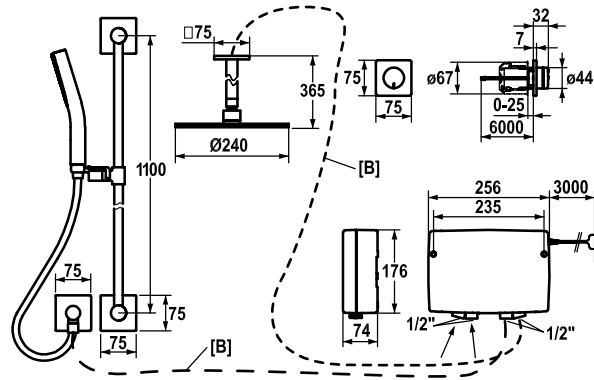
- touch light PRO technology
- touch'n'flow 1-2-3
- 3 preset temperatures and flow rates
- Microprocessor-control
  - touch'n'flow 1: 12°C, 80% flow rate can be individually adjusted and saved
  - touch'n'flow 2: 25°C, 80% flow rate can be individually adjusted and saved
  - touch'n'flow 3: 38°C, 80% flow rate can be individually adjusted and saved
  - temperatures above 40°C cannot be saved due to EU regulations
  - with cleaning programme
  - duration of water flow - safety indication: switch off automatically after 45 minutes
  - overrule of the 40°C limit possible
  - if the temperature falls below 37°C, the 40°C limit is reactivated
  - hot water disinfection (5 minutes) can be adjusted
  - can be restored to factory settings
- touch light PRO control unit, maintenance-free
  - up-to-date microprocessor and drive technology
  - tried-and-tested valve technology
  - incl. installation materials
  - designed for wired connection to 1 operating unit (standard), wireless connection to 1 operating unit (optional)
- Connecting thread ½"
  - [B] - Water guidance from control unit to hand shower: responsibility of client

#### ■ Scope of delivery:

- Control unit and wired operating unit / cable length 6000 mm
- power supply 100-240 V (without plug / operating voltage 15 V / cable length 3000 mm
- Hose connection
- Sliding wall bar
- To be ordered separately:
  - Rough in for operating unit Z.636.183
- To be ordered separately (optional or if necessary):
  - KWC ONO touch light PRO wireless operating unit Z.536.351.000
  - Installation and inspection box 39.000.510.931 Bypass for pressure testing and rinsing Z.536.405
- Go to [www.kwc.com](http://www.kwc.com) for comprehensive information on planning, installation and operation, or get in touch with your KWC contact person.

Spray outlet: Flow rate 19 l/min (3 bar)  
 Spray outlet: Acoustic group I





Article-No.	KWC-No.
<b>113.0315.751</b>	21.654.030.000
all chrome, L 612, power supply for concealed installation, with hand shower and hose, Trim kit	
<b>112.0308.152</b>	Z.636.183
Concealed unit	

### Trim kit ■ Thermostatic mixer ■ Shower ■ with LED-technology

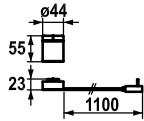
#### Electronic controlled

- touch light PRO technology
- touch'n'flow 1-2-3
- 3 preset temperatures and flow rates
- Microprocessor-control
  - touch'n'flow 1: 12°C, 80% flow rate can be individually adjusted and saved
  - touch'n'flow 2: 25°C, 80% flow rate can be individually adjusted and saved
  - touch'n'flow 3: 38°C, 80% flow rate can be individually adjusted and saved
  - temperatures above 40°C cannot be saved due to EU regulations
  - with cleaning programme
  - duration of water flow - safety indication: switch off automatically after 45 minutes
  - switching between two outlets possible (hand shower/shower head)
  - overrule of the 40°C limit possible
  - if the temperature falls below 37°C, the 40°C limit is reactivated
  - hot water disinfection (5 minutes) can be adjusted
  - can be restored to factory settings
- touch light PRO control unit, maintenance-free
  - up-to-date microprocessor and drive technology
  - tried-and-tested valve technology
  - incl. installation materials
  - designed for wired connection to 1 operating unit (standard), wireless connection to 1 operating unit (optional)
- Connecting thread 1/2"
  - [B] - Water guidance from control unit to hand shower and shower head: responsibility of client

#### ■ Scope of delivery:

- Control unit and wired operating unit / cable length 6000 mm
- power supply 100-240 V (without plug / operating voltage 15 V / cable length 3000 mm)
- Shower head
- Hose connection
- Sliding wall bar
- To be ordered separately:
  - Rough in for operating unit Z.636.183
- To be ordered separately (optional or if necessary):
  - KWC ONO touch light PRO wireless operating unit Z.536.351.000
  - Installation and inspection box 39.000.510.931 Bypass for pressure testing and rinsing Z.536.405
- Go to [www.kwc.com](http://www.kwc.com) for comprehensive information on planning, installation and operation, or get in touch with your KWC contact person.

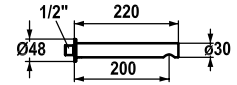
Spray outlet: Flow rate 19 l/min (3 bar)  
 Spray outlet: Acoustic group I



Article-No.	KWC-No.
<b>112.0308.151</b>	Z.536.351.000
all chrome, mains receiver	

**KWC ONO touch light PRO wireless operating unit, with charging station**

- rechargeable battery life 3-4 months
- Scope of delivery:
  - Mains receiver 100-240 V / operating voltage 6.75 V / cable length 800 mm

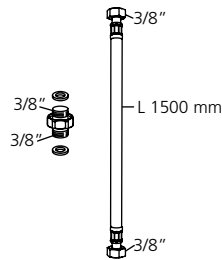


Article-No.	KWC-No.
<b>112.0315.801</b>	26.151.073.000
all chrome, A 200	

**Bathtub spout**

- Fixed spout
  - Neoperl® Caché®
- Connecting thread 1/2"
- Suitable for:
  - KWC ONO

Flow rate 27 l/min (3 bar)  
Acoustic group I



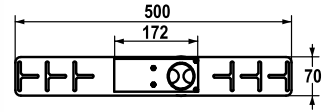
Article-No.	KWC-No.
<b>133.0308.488</b>	Z.536.352
all chrome, G 3/8"	

**Extension set**

- comprising: stainless steel hose 1500 mm, 3/8" x 3/8", double nipple, sealing material



Article-No.	KWC-No.
<b>112.0308.152</b>	Z.636.183
Concealed unit	

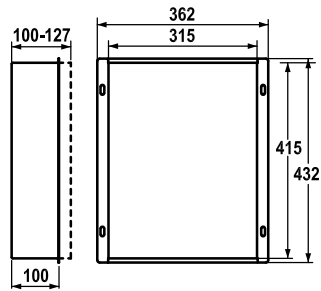


Article-No.	KWC-No.
<b>112.0308.150</b>	39.004.500.931
Concealed unit	

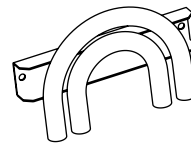
### Rough in for touch light PRO operating unit, plastic

– suitable for installation on brickwork or cavity walls

### Concealed unit wall two hole



Article-No.	KWC-No.
<b>112.0315.812</b>	39.000.510.931
Concealed unit	



Article-No.	KWC-No.
<b>112.0362.739</b>	Z.536.405

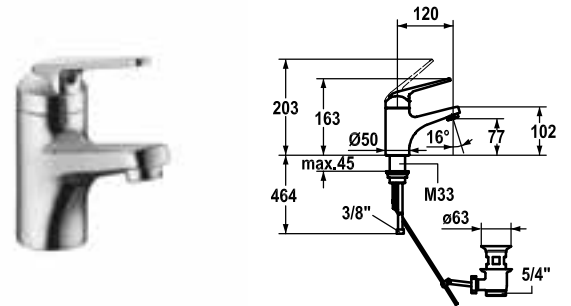
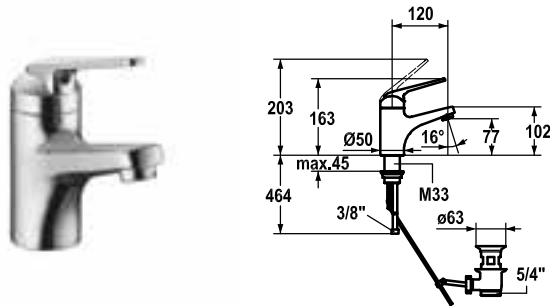
### Installation and inspection box, stainless

- consists of installation box, frame and screwless cover
- installation depth continuously adjustable
- includes installation materials
- To be ordered separately (optional or if necessary): Bypass for pressure testing and rinsing Z.536.405

### Bypass for pressure testing and rinsing

- Connecting thread ½"
- Suitable for:
  - Installation and inspection box 39.000.510.931





Article-No.	KWC-No.
<b>113.0315.824</b>	12.068.041.000FL
all chrome, A 120, flexible connection hoses, with pop-up valve	
<b>113.0315.825</b>	12.068.051.000FL
all chrome, A 120, flexible connection hoses, without pop-up valve	

Article-No.	KWC-No.
<b>113.0315.768</b>	12.061.031.000FL
all chrome, A 120, flexible connection hoses, with pop-up valve	
<b>113.0315.770</b>	12.061.071.000FL
all chrome, A 120, flexible connection hoses, without pop-up valve	

**Lever mixer ■ Basin**

Lever mixer

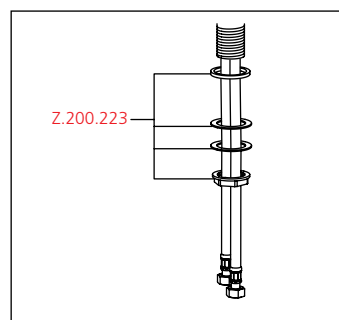
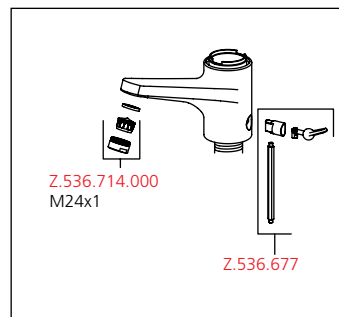
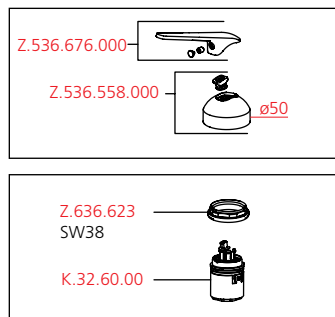
- flexGuard™ - Sealing membrane between lever and cap: protects the inside of the faucet
  - to prevent liquid penetrating from outside
- Fixed spout
  - Neoperl® Cascade®
- KWC cartridge L 39 - universal
  - with ceramic discs
  - flow rate and temperature continuously variable
  - temperature and flow rate limitation
- Flexible connection hoses 3/8"
- Fastening by means of threaded sleeve M33 x 1.5
- Mounting hole size ø35 mm

**Lever mixer ■ Basin ■ coolfix**

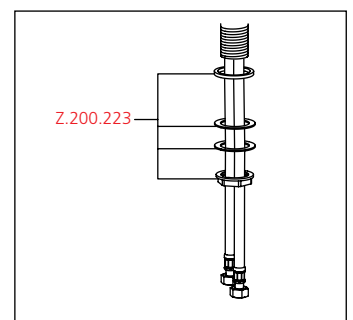
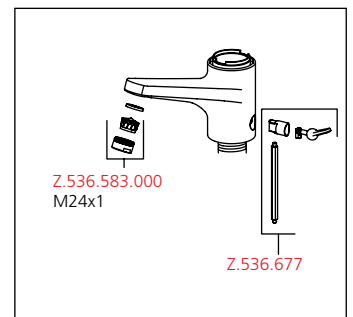
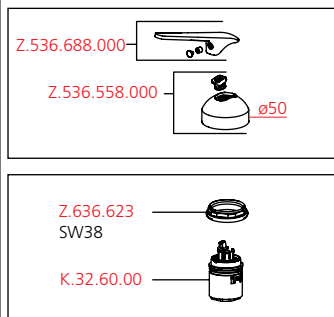
Lever mixer

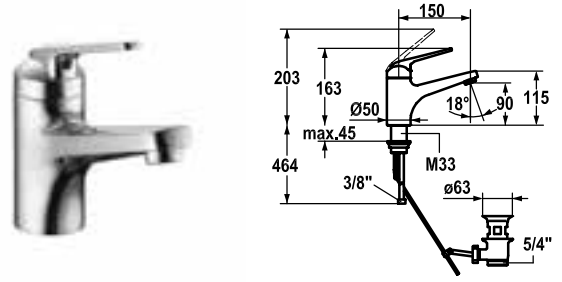
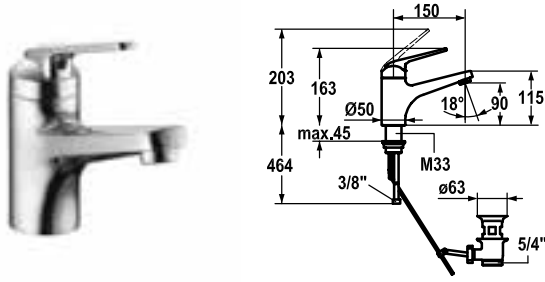
- COOLFIX - cold water flow in central lever position
- flexGuard™ - Sealing membrane between lever and cap: protects the inside of the faucet
  - to prevent liquid penetrating from outside
- Fixed spout
  - Neoperl® Cascade®
- KWC cartridge L 39 - universal
  - with ceramic discs
  - flow rate and temperature continuously variable
  - temperature and flow rate limitation
- Flexible connection hoses 3/8"
- Fastening by means of threaded sleeve M33 x 1.5
- Mounting hole size ø35 mm

Flow rate 6 l/min (3 bar)  
Acoustic group I



Flow rate 7.5 l/min (3 bar)  
Acoustic group I





Article-No.	KWC-No.
<b>113.0315.826</b>	12.068.042.000FL
all chrome, A 150, flexible connection hoses, with pop-up valve	
<b>113.0315.827</b>	12.068.052.000FL
all chrome, A 150, flexible connection hoses, without pop-up valve	

Article-No.	KWC-No.
<b>113.0315.772</b>	12.061.032.000FL
all chrome, A 150, flexible connection hoses, with pop-up valve	
<b>113.0315.774</b>	12.061.072.000FL
all chrome, A 150, flexible connection hoses, without pop-up valve	

**Lever mixer ■ Basin**

Lever mixer

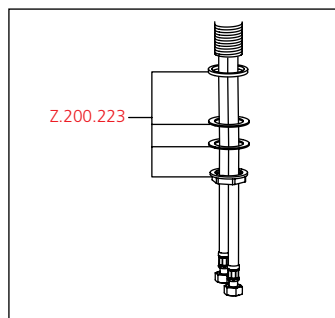
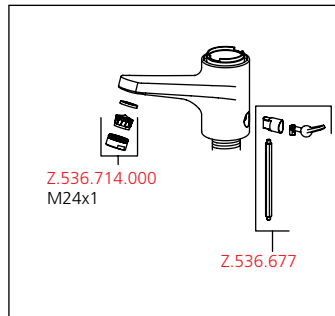
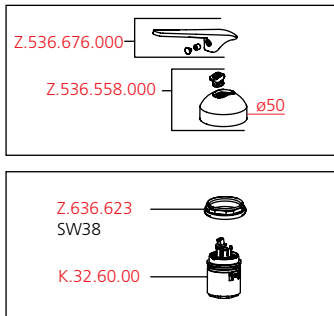
- flexGuard™ - Sealing membrane between lever and cap: protects the inside of the faucet
  - to prevent liquid penetrating from outside
- Fixed spout
  - Neoperl® Cascade®
- KWC cartridge L 39 - universal
  - with ceramic discs
  - flow rate and temperature continuously variable
  - temperature and flow rate limitation
- Flexible connection hoses 3/8"
- Fastening by means of threaded sleeve M33 x 1.5
- Mounting hole size ø35 mm

**Lever mixer ■ Basin ■ coolfix**

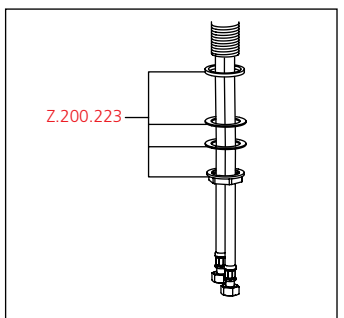
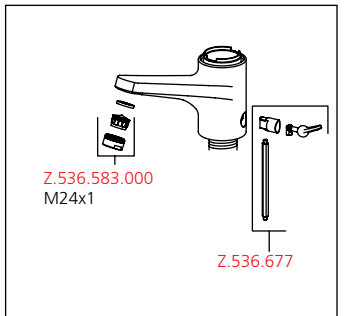
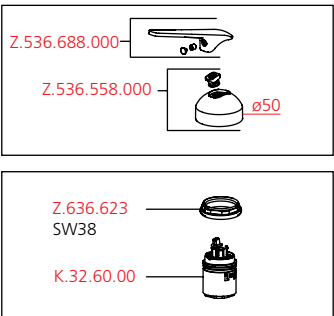
Lever mixer

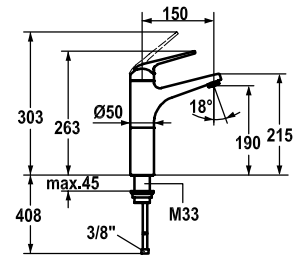
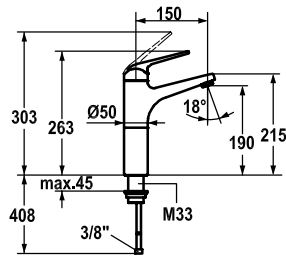
- COOLFIX - cold water flow in central lever position
- flexGuard™ - Sealing membrane between lever and cap: protects the inside of the faucet
  - to prevent liquid penetrating from outside
- Fixed spout
  - Neoperl® Cascade®
- KWC cartridge L 39 - universal
  - with ceramic discs
  - flow rate and temperature continuously variable
  - temperature and flow rate limitation
- Flexible connection hoses 3/8"
- Fastening by means of threaded sleeve M33 x 1.5
- Mounting hole size ø35 mm

Flow rate 6 l/min (3 bar)  
Acoustic group I



Flow rate 7.5 l/min (3 bar)  
Acoustic group I





Article-No.	KWC-No.
<b>113.0315.783</b>	12.061.372.000FL
all chrome, A 150, flexible connection hoses, without pop-up valve	

Article-No.	KWC-No.
<b>113.0315.785</b>	12.061.382.000FL
all chrome, A 150, flexible connection hoses, without pop-up valve	

**Lever mixer ■ Basin**

Lever mixer

- For top-mounted basins
- flexGuard™ - Sealing membrane between lever and cap:
  - protects the inside of the faucet
  - to prevent liquid penetrating from outside
- Fixed spout
  - Neoperl® Cascade®
- KWC cartridge L 39 - universal
  - with ceramic discs
  - flow rate and temperature continuously variable
  - temperature and flow rate limitation
- Flexible connection hoses 3/8"
- Fastening by means of threaded sleeve M33 x 1.5
- Mounting hole size ø35 mm

Flow rate 7.5 l/min (3 bar)  
Acoustic group I

Z.536.676.000	
Z.536.558.000	
Z.636.623	
K.32.60.00	

Z.536.714.000	
M24x1	

Z.200.223	
-----------	--

**Lever mixer ■ Basin ■ coolfix**

Lever mixer

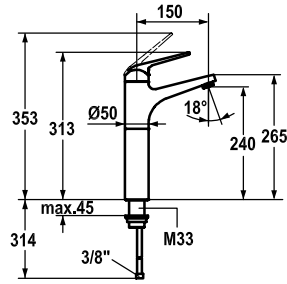
- For top-mounted basins
- COOLFIX - cold water flow in central lever position
- flexGuard™ - Sealing membrane between lever and cap:
  - protects the inside of the faucet
  - to prevent liquid penetrating from outside
- Fixed spout
  - Neoperl® Cascade®
- KWC cartridge L 39 - universal
  - with ceramic discs
  - flow rate and temperature continuously variable
  - temperature and flow rate limitation
- Flexible connection hoses 3/8"
- Fastening by means of threaded sleeve M33 x 1.5
- Mounting hole size ø35 mm

Flow rate 7.5 l/min (3 bar)  
Acoustic group I

Z.536.688.000	
Z.536.558.000	
Z.636.623	
K.32.60.00	

Z.536.583.000	
M24x1	

Z.200.223	
-----------	--



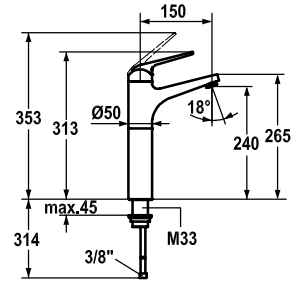
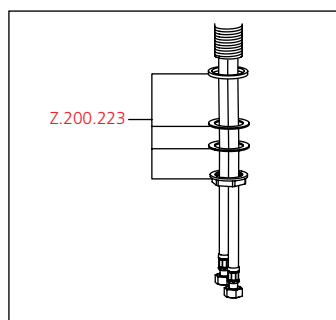
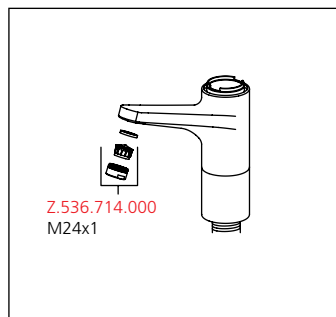
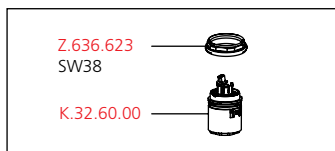
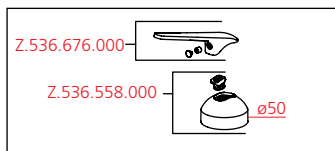
Article-No.	KWC-No.
<b>113.0315.784</b>	12.061.092.000FL
all chrome, A 150, flexible connection hoses, without pop-up valve	

**Lever mixer ■ Basin**

Lever mixer

- For top-mounted basins
- flexGuard™ - Sealing membrane between lever and cap:
  - protects the inside of the faucet
  - to prevent liquid penetrating from outside
- Fixed spout
  - Neoperl® Cascade®
- KWC cartridge L 39 - universal
  - with ceramic discs
  - flow rate and temperature continuously variable
  - temperature and flow rate limitation
- Flexible connection hoses 3/8"
- Fastening by means of threaded sleeve M33 x 1.5
- Mounting hole size ø35 mm

Flow rate 6 l/min (3 bar)  
Acoustic group I



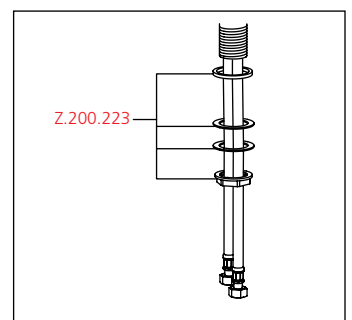
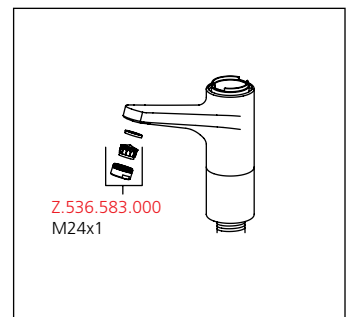
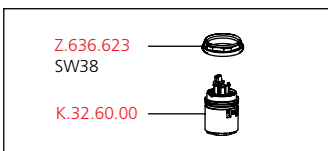
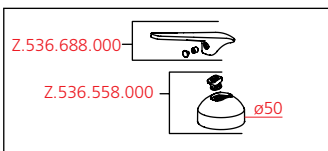
Article-No.	KWC-No.
<b>113.0315.786</b>	12.061.102.000FL
all chrome, A 150, flexible connection hoses, without pop-up valve	

**Lever mixer ■ Basin ■ coolfix**

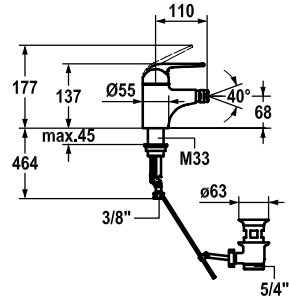
Lever mixer

- For top-mounted basins
- COOLFIX - cold water flow in central lever position
- flexGuard™ - Sealing membrane between lever and cap:
  - protects the inside of the faucet
  - to prevent liquid penetrating from outside
- Fixed spout
  - Neoperl® Cascade®
- KWC cartridge L 39 - universal
  - with ceramic discs
  - flow rate and temperature continuously variable
  - temperature and flow rate limitation
- Flexible connection hoses 3/8"
- Fastening by means of threaded sleeve M33 x 1.5
- Mounting hole size ø35 mm

Flow rate 7.5 l/min (3 bar)  
Acoustic group I







Article-No. KWC-No.

**113.0315.775** 13.061.041.000FL

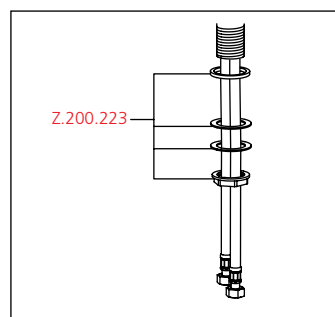
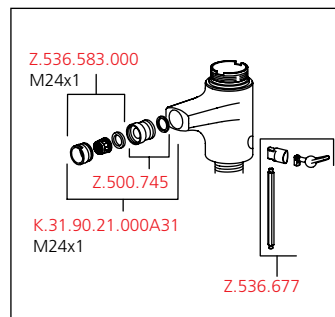
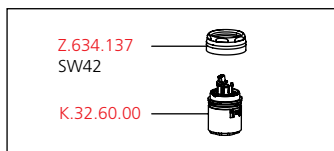
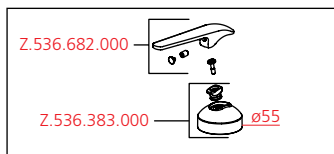
all chrome, A 110, flexible connection hoses, with pop-up valve

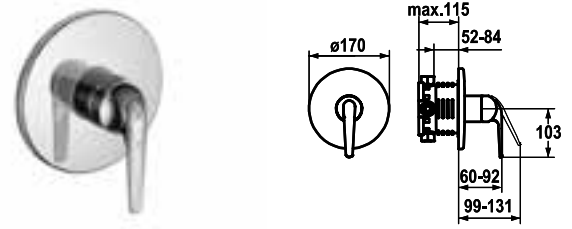
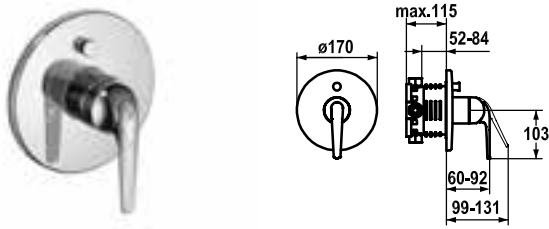
### Lever mixer ■ Bidet

#### Lever mixer

- flexGuard™ - Sealing membrane between lever and cap:
  - protects the inside of the faucet
  - to prevent liquid penetrating from outside
- Fixed spout
  - ball joint aerator Neoperl® Cascade®
- KWC cartridge L 39 - universal
  - with ceramic discs
  - flow rate and temperature continuously variable
  - temperature and flow rate limitation
- Flexible connection hoses 3/8"
- Fastening by means of threaded sleeve M33 x 1.5
- Mounting hole size ø35 mm

Flow rate 8 l/min (3 bar)  
Acoustic group I





Article-No.	KWC-No.
<b>113.0315.777</b>	20.064.400.000
all chrome, Trim kit	
<b>113.0315.778</b>	20.064.410.000
all chrome, Trim kit, with vacuum breaker	

Article-No.	KWC-No.
<b>113.0315.776</b>	21.064.400.000
all chrome, Trim kit	

**Trim kit ■ Lever mixer ■ Tub**

Trim kit with function unit

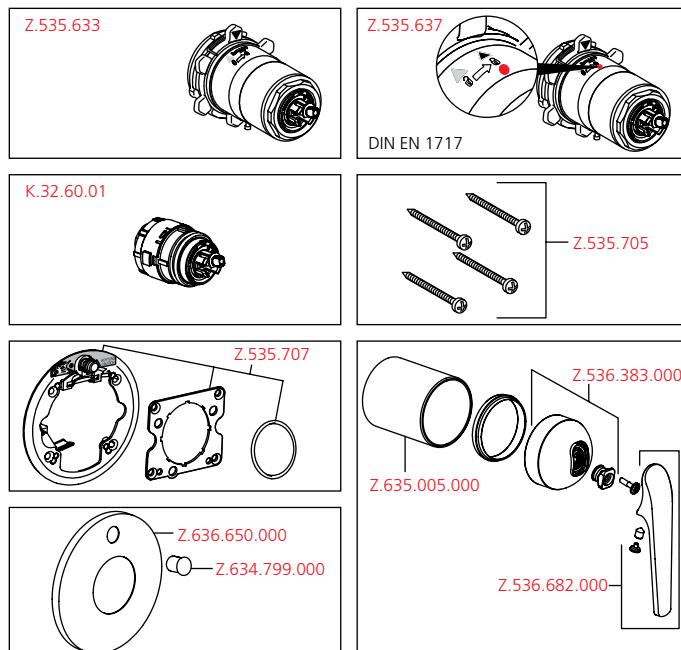
- flexGuard™ - Sealing membrane between lever and cap: protects the inside of the faucet
  - to prevent liquid penetrating from outside
- Outflow top and below
- Pressure diversion
- Diverter with automatic reset
- KWC cartridge XL 46 - high capacity
  - with ceramic discs
  - flow rate and temperature continuously variable
  - temperature limitation
- Scope of delivery:
  - Function unit, lever, cap, sleeve, cover plate, diverter
  - Fastening of the cover plate without screws
- To be ordered separately:
  - Unit for concealed installation KWC VAROX ½" 39.999.300.931, with shut-off valves

**Trim kit ■ Lever mixer ■ Shower**

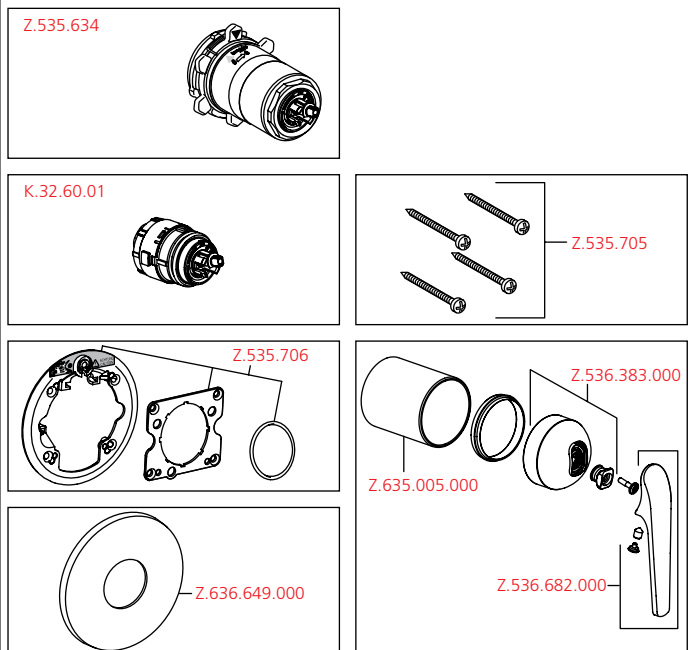
Trim kit with function unit

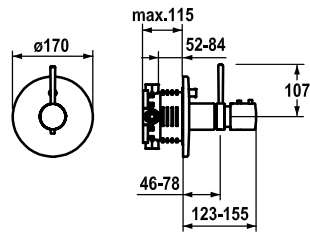
- flexGuard™ - Sealing membrane between lever and cap: protects the inside of the faucet
  - to prevent liquid penetrating from outside
- Outflow top or below
- KWC cartridge XL 46 - high capacity
  - with ceramic discs
  - flow rate and temperature continuously variable
  - temperature limitation
- Scope of delivery:
  - Function unit, lever, cap, sleeve, cover plate
  - Fastening of the cover plate without screws
- To be ordered separately:
  - Unit for concealed installation KWC VAROX ½" 39.999.300.931, with shut-off valves

Flow rate 27 l/min (3 bar)  
Acoustic group I



Flow rate 27 l/min (3 bar)  
Acoustic group I





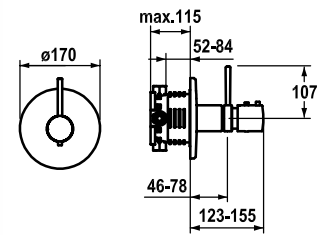
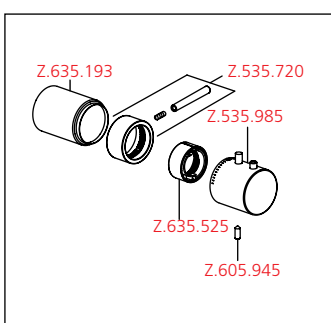
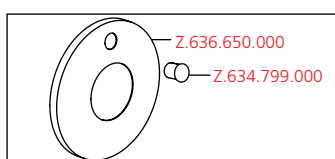
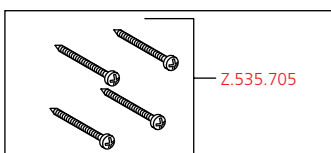
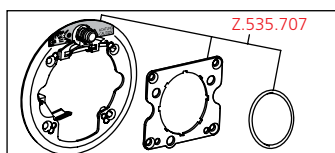
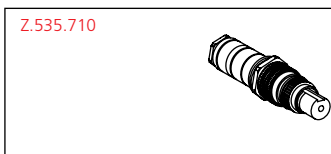
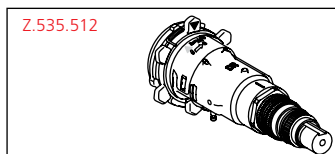
Article-No.	KWC-No.
<b>113.0315.788</b>	20.064.480.000
all chrome, Trim kit	

**Trim kit ■ Thermostatic mixer ■ Tub**

Trim kit with thermostatic function unit

- Outflow top and below
- Pressure diversion
- hotControl - temperature handle with safety stop button 38°C
- Diverter with automatic reset
- Intrinsicly safe against backflow
- Scope of delivery:
  - Function unit, flow rate adjustment lever, temperature lever, sleeve, cover plate, holder for escutcheon
  - Fastening of the cover plate without screws
- To be ordered separately:
  - Unit for concealed installation KWC VAROX ½" 39.999.300.931, with shut-off valves

Flow rate 25 l/min (3 bar)  
Acoustic group I



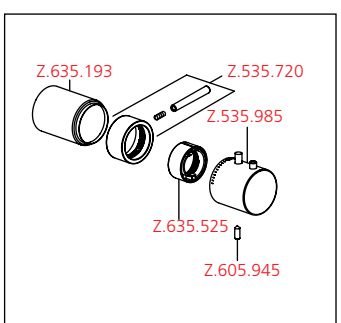
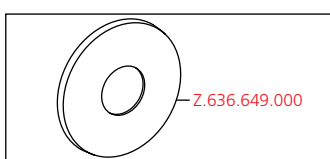
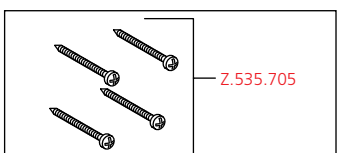
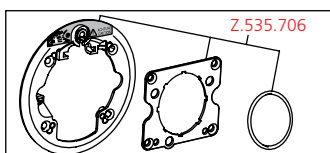
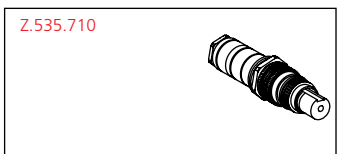
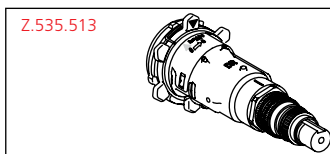
Article-No.	KWC-No.
<b>113.0315.787</b>	21.064.480.000
all chrome, Trim kit	

**Trim kit ■ Thermostatic mixer ■ Shower**

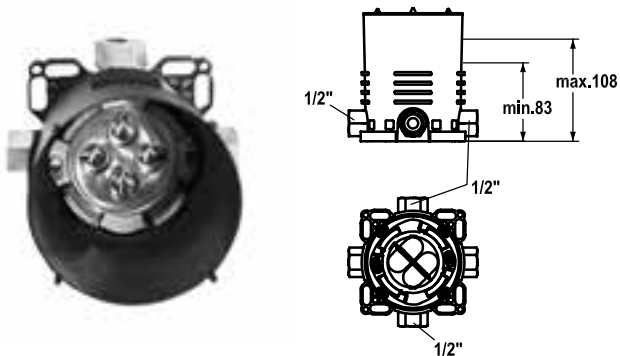
Trim kit with thermostatic function unit

- Outflow top or below
- hotControl - temperature handle with safety stop button 38°C
- Intrinsicly safe against backflow
- Scope of delivery:
  - Function unit, flow rate adjustment lever, temperature lever, sleeve, cover plate, holder for escutcheon, diverter
  - Fastening of the cover plate without screws
- To be ordered separately:
  - Unit for concealed installation KWC VAROX ½" 39.999.300.931, with shut-off valves

Flow rate 25 l/min (3 bar)  
Acoustic group I





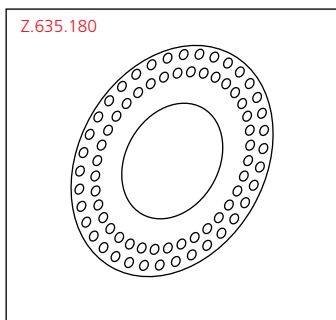
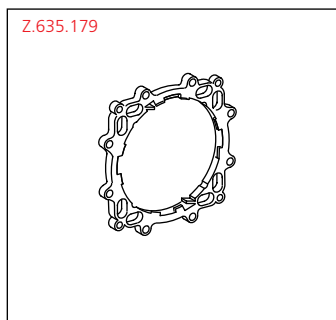
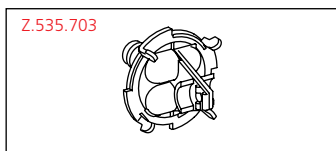
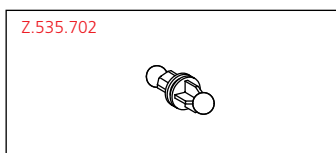
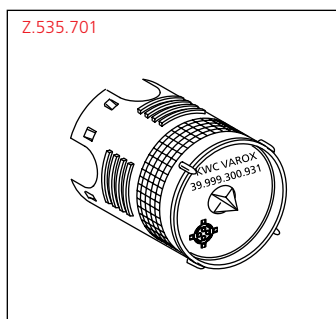


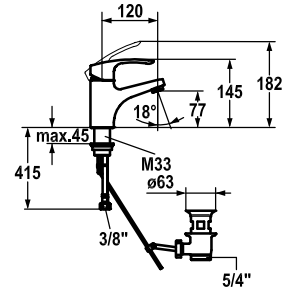
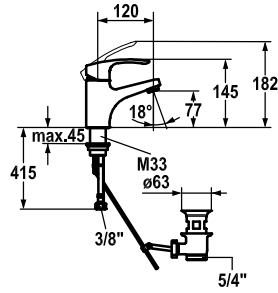
Article-No.	KWC-No.
<b>112.0315.787</b>	39.999.300.931
Concealed unit	

**Concealed unit**

Concealed unit compact

- Integrated shut-off valves cold and hot water
- Connecting thread 1/2" (stopper 1/2" incl. in delivery)
- Scope of delivery:
  - Installation box and cover sleeve, plastic incl. sleeve gasket
  - Multifix fastening system
- To be ordered separately (optional or if necessary):
  - Extension set 20 mm Z.535.719





Article-No.	KWC-No.
<b>113.0315.830</b>	12.288.041.000FL
all chrome, A 120, flexible connection hoses, with pop-up valve	
<b>113.0315.831</b>	12.288.051.000FL
all chrome, A 120, flexible connection hoses, without pop-up valve	

Article-No.	KWC-No.
<b>113.0315.790</b>	12.281.031.000FL
all chrome, A 120, flexible connection hoses, with pop-up valve	
<b>113.0315.792</b>	12.281.071.000FL
all chrome, A 120, flexible connection hoses, without pop-up valve	

**Lever mixer ■ Basin**

Lever mixer

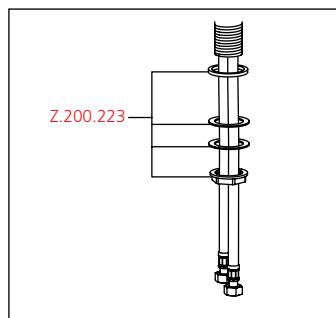
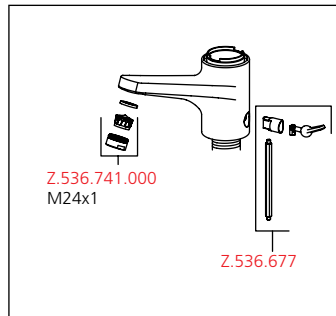
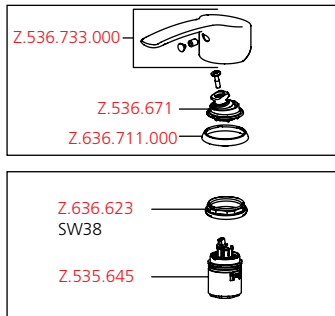
- flexGuard™ - Sealing membrane between lever and cap: protects the inside of the faucet
  - to prevent liquid penetrating from outside
- Fixed spout
  - Neoperl® Perlator® laminar
- KWC cartridge with safety device L 39 - universal
  - with ceramic discs
  - flow rate and temperature continuously variable
  - temperature and flow rate limitation
- Flexible connection hoses 3/8"
- Fastening by means of threaded sleeve M33 x 1.5
- Mounting hole size ø35 mm

**Lever mixer ■ Basin ■ coolfix**

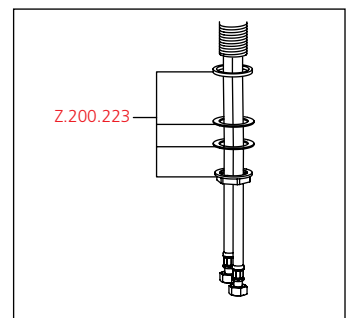
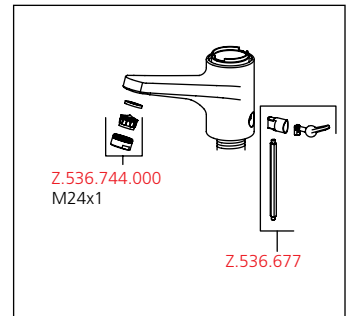
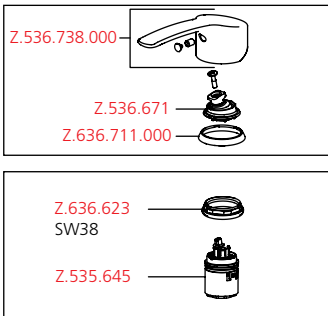
Lever mixer

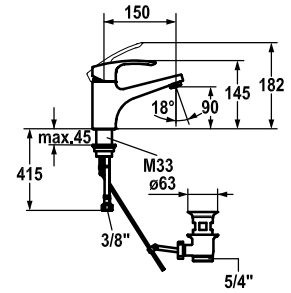
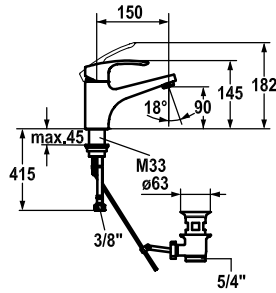
- COOLFIX - cold water flow in central lever position
- flexGuard™ - Sealing membrane between lever and cap: protects the inside of the faucet
  - to prevent liquid penetrating from outside
- Fixed spout
  - Neoperl® Perlator® laminar
- KWC cartridge with safety device L 39 - universal
  - with ceramic discs
  - flow rate and temperature continuously variable
  - temperature and flow rate limitation
- Flexible connection hoses 3/8"
- Fastening by means of threaded sleeve M33 x 1.5
- Mounting hole size ø35 mm

Flow rate 6 l/min (3 bar)  
Acoustic group I



Flow rate 7.5 l/min (3 bar)  
Acoustic group I





Article-No.	KWC-No.
<b>113.0315.832</b>	12.288.042.000FL
all chrome, A 150, flexible connection hoses, with pop-up valve	
<b>113.0315.833</b>	12.288.052.000FL
all chrome, A 150, flexible connection hoses, without pop-up valve	

Article-No.	KWC-No.
<b>113.0318.970</b>	12.281.032.000FL
all chrome, A 150, flexible connection hoses, with pop-up valve	
<b>113.0315.795</b>	12.281.072.000FL
all chrome, A 150, flexible connection hoses, without pop-up valve	

**Lever mixer ■ Basin**

Lever mixer

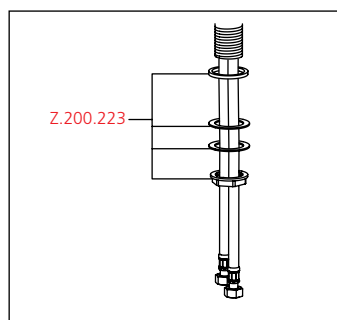
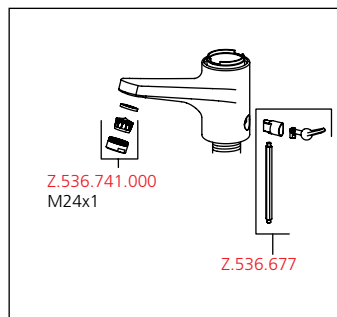
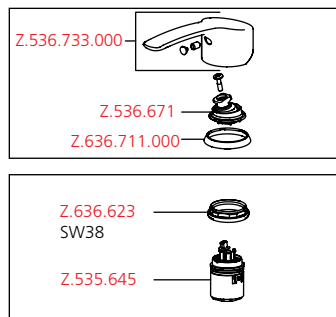
- flexGuard™ - Sealing membrane between lever and cap: protects the inside of the faucet
  - to prevent liquid penetrating from outside
- Fixed spout
  - Neoperl® Perlator® laminar
- KWC cartridge with safety device L 39 - universal
  - with ceramic discs
  - flow rate and temperature continuously variable
  - temperature and flow rate limitation
- Flexible connection hoses 3/8"
- Fastening by means of threaded sleeve M33 x 1.5
- Mounting hole size ø35 mm

**Lever mixer ■ Basin ■ coolfix**

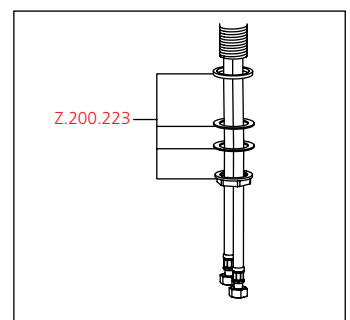
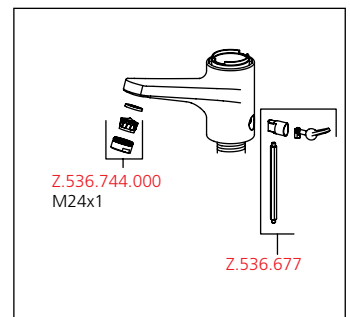
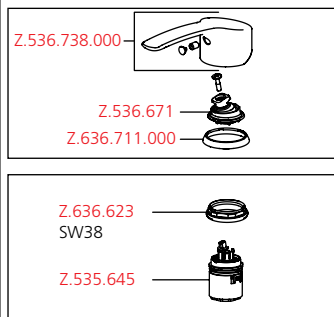
Lever mixer

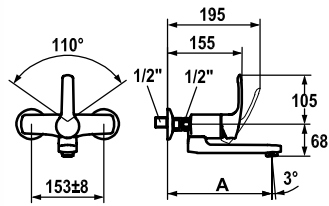
- COOLFIX - cold water flow in central lever position
- flexGuard™ - Sealing membrane between lever and cap: protects the inside of the faucet
  - to prevent liquid penetrating from outside
- Fixed spout
  - Neoperl® Perlator® laminar
- KWC cartridge with safety device L 39 - universal
  - with ceramic discs
  - flow rate and temperature continuously variable
  - temperature and flow rate limitation
- Flexible connection hoses 3/8"
- Fastening by means of threaded sleeve M33 x 1.5
- Mounting hole size ø35 mm

Flow rate 6 l/min (3 bar)  
Acoustic group I



Flow rate 7.5 l/min (3 bar)  
Acoustic group I





Article-No.	KWC-No.
<b>113.0315.796</b>	11.282.002.000
all chrome, AD 153 +/- 8 mm, A 175	
<b>113.0315.797</b>	11.282.003.000
all chrome, AD 153 +/- 8 mm, A 225	
<b>113.0315.798</b>	11.282.004.000
all chrome, AD 153 +/- 8 mm, A 300	

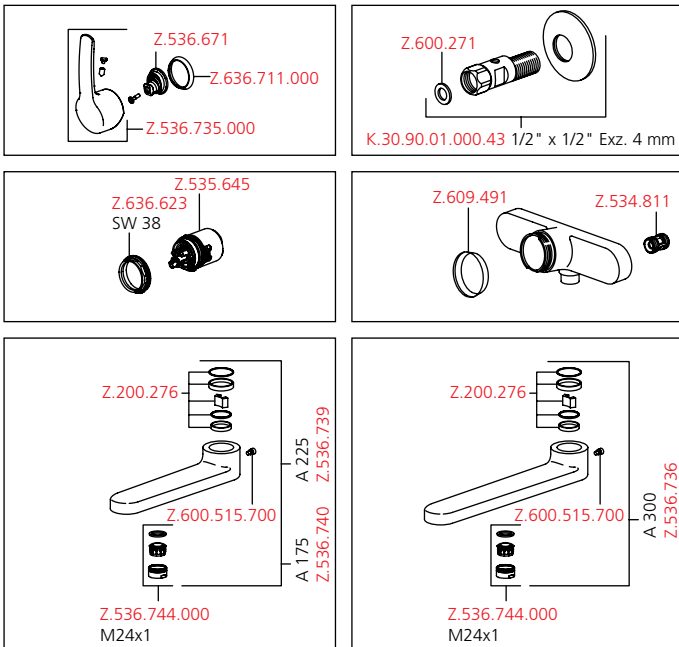
### Lever mixer ■ Basin

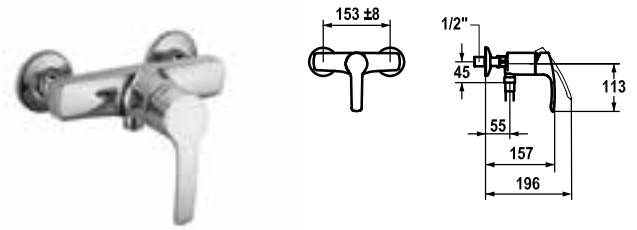
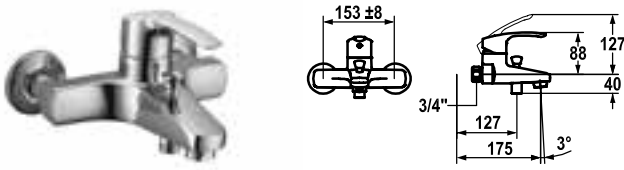
#### Lever mixer

- flexGuard™ - Sealing membrane between lever and cap:
  - protects the inside of the faucet
  - to prevent liquid penetrating from outside
- Swivel spout 90°
  - adjustable with screw
  - Neoperl® Perlator® laminar
- KWC cartridge with safety device L 39 - universal
  - with ceramic discs
  - flow rate and temperature continuously variable
  - temperature and flow rate limitation
- Wall connections 1/2" x 1/2", with shut-off valve L 40 eccentric 4 mm

Flow rate 7.5 l/min (3 bar)

Acoustic group I





Article-No.	KWC-No.
<b>113.0315.800</b>	20.282.313.000
all chrome, AD 153 +/- 8 mm, A 175, without hand shower and hose	

Article-No.	KWC-No.
<b>113.0315.799</b>	21.282.310.000
all chrome, AD 153 +/- 8 mm, without hand shower and hose	

**Lever mixer ■ Tub**

Lever mixer

- flexGuard™ - Sealing membrane between lever and cap: protects the inside of the faucet
  - to prevent liquid penetrating from outside
- Intrinsically safe against backflow
- Fixed spout
  - Neoperl® Perlator®
- KWC cartridge with safety device L 39 - universal
  - with ceramic discs
  - flow rate and temperature continuously variable
  - temperature and flow rate limitation
- Wall connections 1/2" x 3/4", with shut-off valve L 40 eccentric 4 mm

**Lever mixer ■ Shower**

Lever mixer

- flexGuard™ - Sealing membrane between lever and cap: protects the inside of the faucet
  - to prevent liquid penetrating from outside
- Intrinsically safe against backflow
- KWC cartridge with safety device L 39 - universal
  - with ceramic discs
  - flow rate and temperature continuously variable
  - temperature and flow rate limitation
- Wall connections 1/2" x 1/2", with shut-off valve L 40 eccentric 4 mm

Flow rate 21 l/min (3 bar)

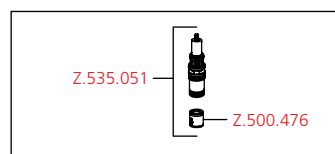
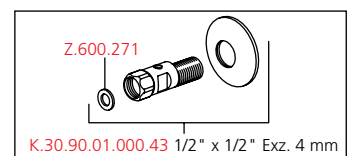
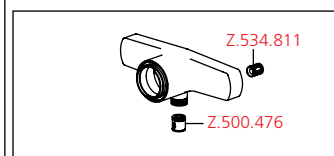
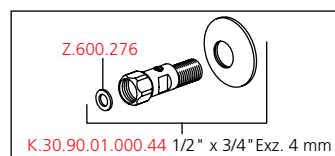
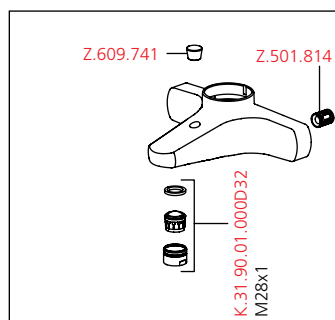
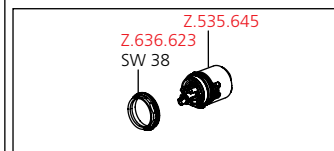
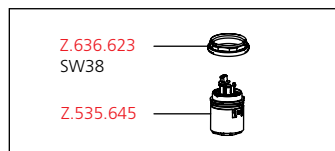
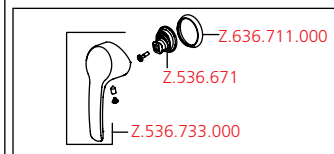
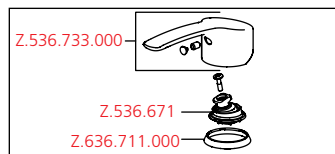
Acoustic group I

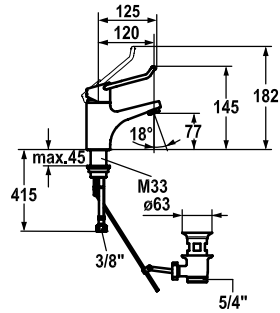
Spray outlet: Flow rate 18 l/min (3 bar)

Spray outlet: Acoustic group I

Spray outlet: Flow rate 18 l/min (3 bar)

Spray outlet: Acoustic group I





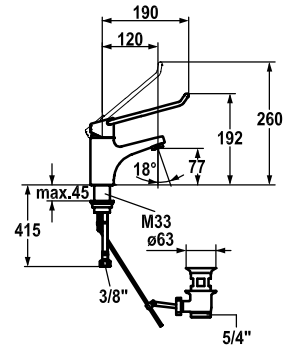
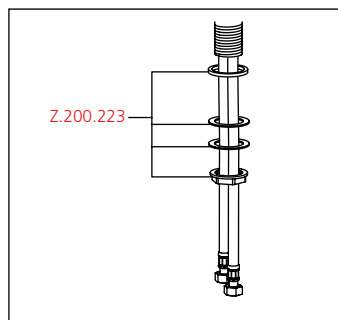
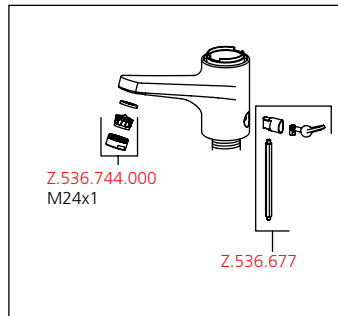
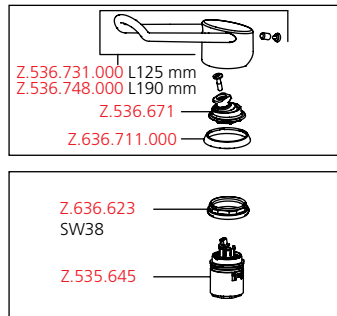
Article-No.	KWC-No.
<b>113.0315.801</b>	12.291.041.000FL
all chrome, A 120, flexible connection hoses, with pop-up valve	
<b>113.0315.803</b>	12.291.051.000FL
all chrome, A 120, flexible connection hoses, without pop-up valve	

**Lever mixer ■ Basin**

Lever mixer

- flexGuard™ - Sealing membrane between lever and cap: protects the inside of the faucet  
– to prevent liquid penetrating from outside
- Operation designed for a secure grip, as well as safe and easy handling
- Ergonomic and robust operating lever, made of polyamide  
– to adjust the handling even better to suit personal requirements, the offset lever can be installed so that it is twisted into the cap (standard: see illustration)
- Fixed spout  
– Neoperl® Perlator® laminar
- KWC cartridge with safety device L 39 - universal  
– with ceramic discs  
– flow rate and temperature continuously variable  
– temperature and flow rate limitation
- Flexible connection hoses 3/8"
- Fastening by means of threaded sleeve M33 x 1.5
- Mounting hole size ø35 mm

Flow rate 7.5 l/min (3 bar)  
Acoustic group I



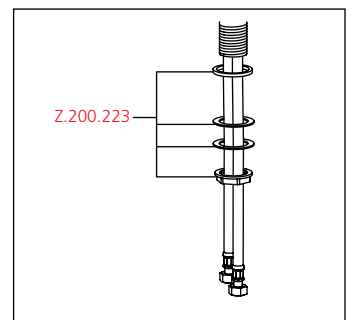
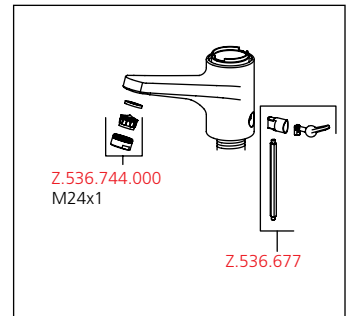
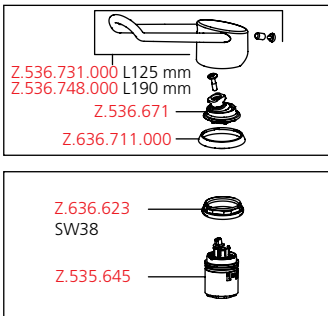
Article-No.	KWC-No.
<b>113.0315.834</b>	12.291.041.000LLFL
all chrome, A 120, flexible connection hoses, with pop-up valve, with long lever	
<b>113.0315.835</b>	12.291.051.000LLFL
all chrome, A 120, flexible connection hoses, without pop-up valve, with long lever	

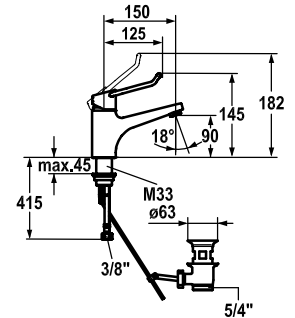
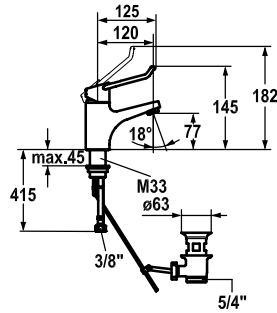
**Lever mixer ■ Basin**

Lever mixer

- flexGuard™ - Sealing membrane between lever and cap: protects the inside of the faucet  
– to prevent liquid penetrating from outside
- Operation designed for a secure grip, as well as safe and easy handling
- Ergonomic and robust operating lever, made of polyamide  
– to adjust the handling even better to suit personal requirements, the offset lever can be installed so that it is twisted into the cap (standard: see illustration)
- Fixed spout  
– Neoperl® Perlator® laminar
- KWC cartridge with safety device L 39 - universal  
– with ceramic discs  
– flow rate and temperature continuously variable  
– temperature and flow rate limitation
- Flexible connection hoses 3/8"
- Fastening by means of threaded sleeve M33 x 1.5
- Mounting hole size ø35 mm

Flow rate 7.5 l/min (3 bar)  
Acoustic group I





Article-No.	KWC-No.
<b>113.0315.802</b>	12.291.031.000FL
all chrome, A 120, flexible connection hoses, with pop-up valve	
<b>113.0315.804</b>	12.291.071.000FL
all chrome, A 120, flexible connection hoses, without pop-up valve	

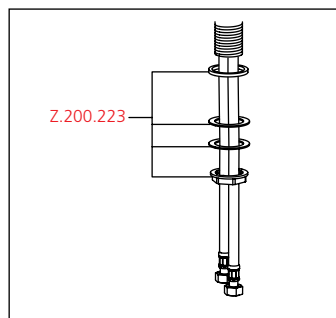
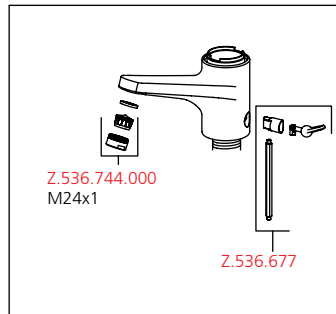
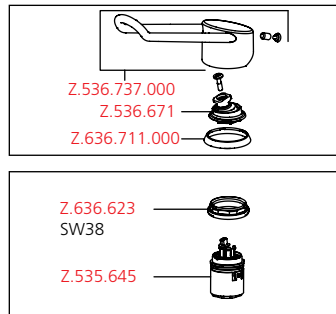
Article-No.	KWC-No.
<b>113.0315.805</b>	12.291.042.000FL
all chrome, A 150, flexible connection hoses, with pop-up valve	
<b>113.0315.807</b>	12.291.052.000FL
all chrome, A 150, flexible connection hoses, without pop-up valve	

**Lever mixer ■ Basin ■ coolfix**

**Lever mixer**

- COOLFIX - cold water flow in central lever position
- flexGuard™ - Sealing membrane between lever and cap:
  - protects the inside of the faucet
  - to prevent liquid penetrating from outside
- Operation designed for a secure grip, as well as safe and easy handling
- Ergonomic and robust operating lever, made of polyamide
  - to adjust the handling even better to suit personal requirements, the offset lever can be installed so that it is twisted into the cap (standard: see illustration)
- Fixed spout
  - Neoperl® Perlator® laminar
- KWC cartridge with safety device L 39 - universal
  - with ceramic discs
  - flow rate and temperature continuously variable
  - temperature and flow rate limitation
- Flexible connection hoses 3/8"
- Fastening by means of threaded sleeve M33 x 1.5
- Mounting hole size ø35 mm

Flow rate 7.5 l/min (3 bar)  
Acoustic group I

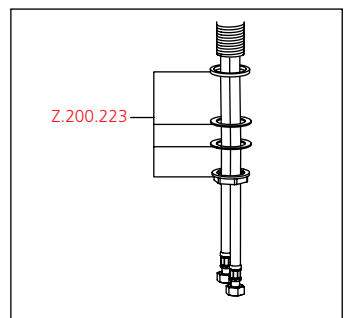
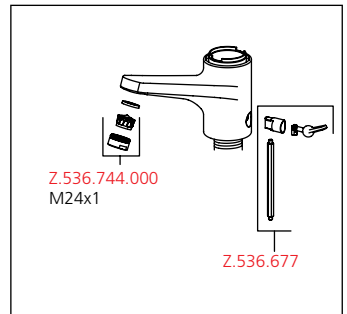
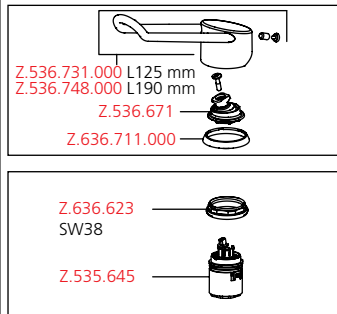


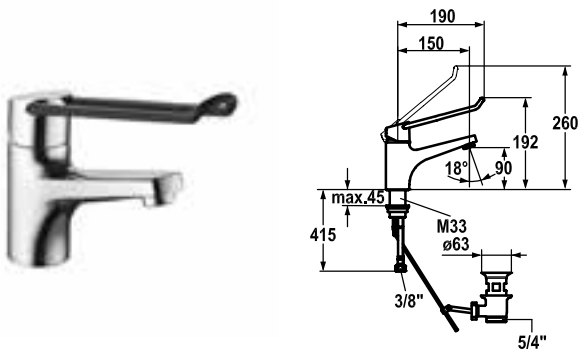
**Lever mixer ■ Basin**

**Lever mixer**

- flexGuard™ - Sealing membrane between lever and cap:
  - protects the inside of the faucet
  - to prevent liquid penetrating from outside
- Operation designed for a secure grip, as well as safe and easy handling
- Ergonomic and robust operating lever, made of polyamide
  - to adjust the handling even better to suit personal requirements, the offset lever can be installed so that it is twisted into the cap (standard: see illustration)
- Fixed spout
  - Neoperl® Perlator® laminar
- KWC cartridge with safety device L 39 - universal
  - with ceramic discs
  - flow rate and temperature continuously variable
  - temperature and flow rate limitation
- Flexible connection hoses 3/8"
- Fastening by means of threaded sleeve M33 x 1.5
- Mounting hole size ø35 mm

Flow rate 7.5 l/min (3 bar)  
Acoustic group I





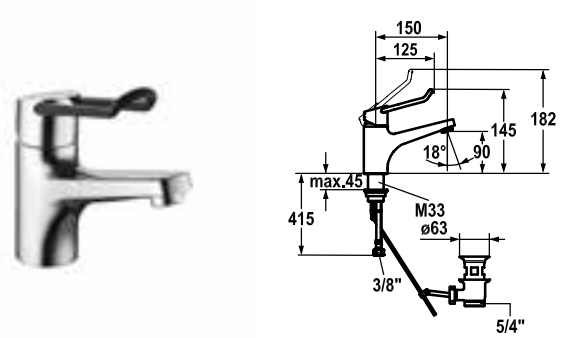
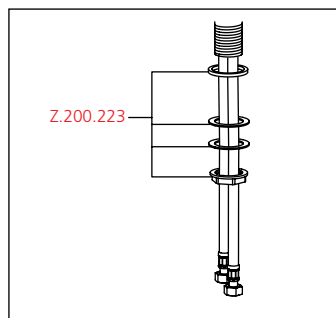
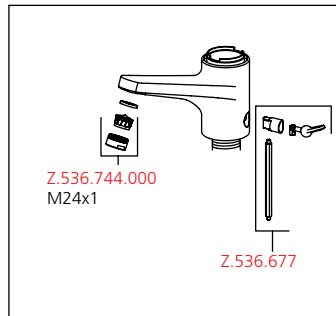
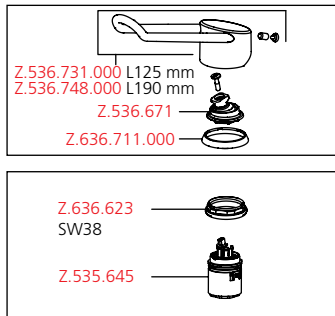
Article-No.	KWC-No.
<b>113.0315.836</b>	12.291.042.000LLFL
all chrome, A 150, flexible connection hoses, with pop-up valve, with long lever	
<b>113.0315.837</b>	12.291.052.000LLFL
all chrome, A 150, flexible connection hoses, without pop-up valve, with long lever	

**Lever mixer ■ Basin**

Lever mixer

- flexGuard™ - Sealing membrane between lever and cap: protects the inside of the faucet – to prevent liquid penetrating from outside
- Operation designed for a secure grip, as well as safe and easy handling
- Ergonomic and robust operating lever, made of polyamide – to adjust the handling even better to suit personal requirements, the offset lever can be installed so that it is twisted into the cap (standard: see illustration)
- Fixed spout
  - Neoperl® Perlator® laminar
- KWC cartridge with safety device L 39 - universal
  - with ceramic discs
  - flow rate and temperature continuously variable
  - temperature and flow rate limitation
- Flexible connection hoses 3/8"
- Fastening by means of threaded sleeve M33 x 1.5
- Mounting hole size ø35 mm

Flow rate 7.5 l/min (3 bar)  
Acoustic group I



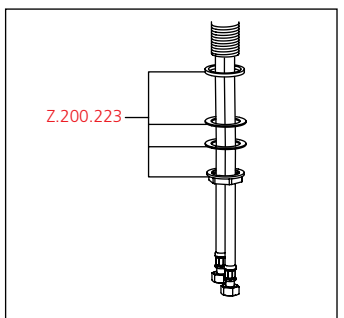
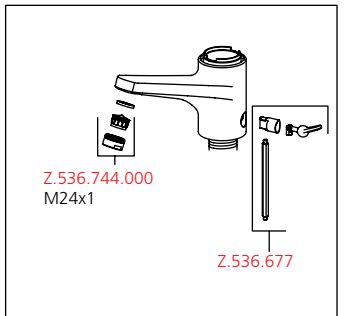
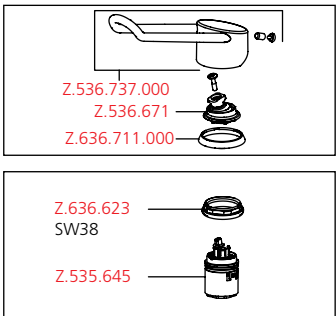
Article-No.	KWC-No.
<b>113.0315.806</b>	12.291.032.000FL
all chrome, A 150, flexible connection hoses, with pop-up valve	
<b>113.0315.808</b>	12.291.072.000FL
all chrome, A 150, flexible connection hoses, without pop-up valve	

**Lever mixer ■ Basin ■ coolfix**

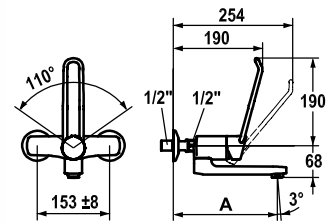
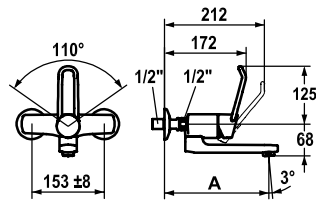
Lever mixer

- COOLFIX - cold water flow in central lever position
- flexGuard™ - Sealing membrane between lever and cap: protects the inside of the faucet – to prevent liquid penetrating from outside
- Operation designed for a secure grip, as well as safe and easy handling
- Ergonomic and robust operating lever, made of polyamide – to adjust the handling even better to suit personal requirements, the offset lever can be installed so that it is twisted into the cap (standard: see illustration)
- Fixed spout
  - Neoperl® Perlator® laminar
- KWC cartridge with safety device L 39 - universal
  - with ceramic discs
  - flow rate and temperature continuously variable
  - temperature and flow rate limitation
- Flexible connection hoses 3/8"
- Fastening by means of threaded sleeve M33 x 1.5
- Mounting hole size ø35 mm

Flow rate 7.5 l/min (3 bar)  
Acoustic group I







Article-No.	KWC-No.
<b>113.0315.809</b>	11.292.002.000
all chrome, AD 153 +/- 8 mm, A 175	
<b>113.0315.810</b>	11.292.003.000
all chrome, AD 153 +/- 8 mm, A 225	
<b>113.0315.811</b>	11.292.004.000
all chrome, AD 153 +/- 8 mm, A 300	

Article-No.	KWC-No.
<b>113.0315.838</b>	11.292.002.000LL
all chrome, AD 153 +/- 8 mm, A 175, with long lever	
<b>113.0315.839</b>	11.292.003.000LL
all chrome, AD 153 +/- 8 mm, A 225, with long lever	
<b>113.0315.840</b>	11.292.004.000LL
all chrome, AD 153 +/- 8 mm, A 300, with long lever	

**Lever mixer ■ Basin**

Lever mixer

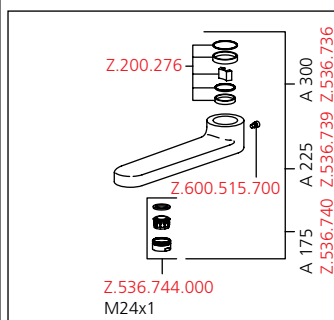
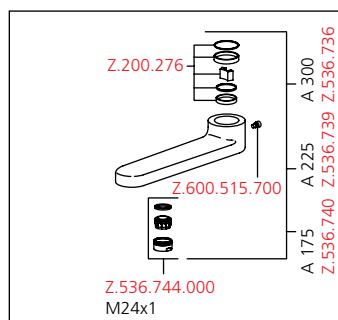
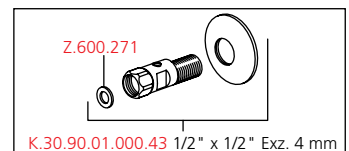
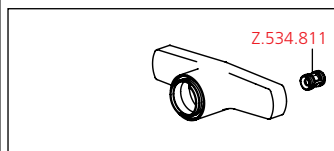
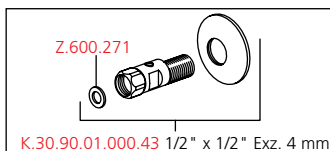
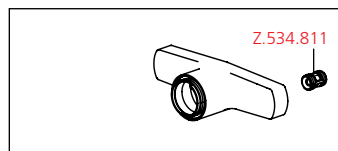
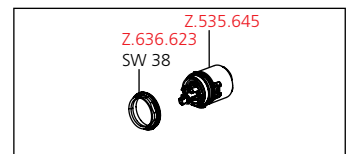
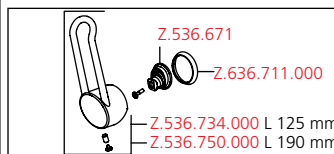
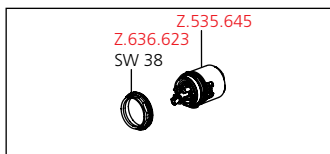
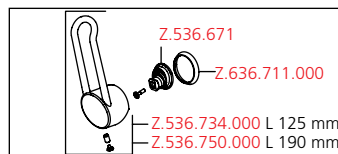
- flexGuard™ - Sealing membrane between lever and cap: protects the inside of the faucet  
– to prevent liquid penetrating from outside
- Operation designed for a secure grip, as well as safe and easy handling
- Ergonomic and robust operating lever, made of polyamide  
– to adjust the handling even better to suit personal requirements, the offset lever can be installed so that it is twisted into the cap (standard: see illustration)
- Swivel spout 90°  
– adjustable with screw  
– Neoperl® Perlator® laminar
- KWC cartridge with safety device L 39 - universal  
– with ceramic discs  
– flow rate and temperature continuously variable  
– temperature and flow rate limitation
- Wall connections 1/2" x 1/2", with shut-off valve L 40 eccentric 4 mm

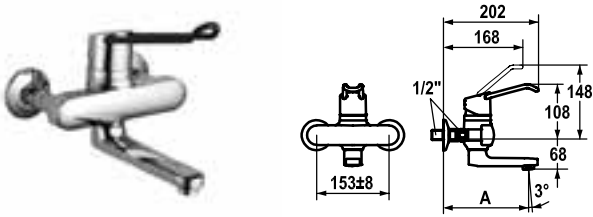
**Lever mixer ■ Basin**

Lever mixer

- flexGuard™ - Sealing membrane between lever and cap: protects the inside of the faucet  
– to prevent liquid penetrating from outside
- Operation designed for a secure grip, as well as safe and easy handling
- Ergonomic and robust operating lever, made of polyamide  
– to adjust the handling even better to suit personal requirements, the offset lever can be installed so that it is twisted into the cap (standard: see illustration)
- Swivel spout 90°  
– adjustable with screw  
– Neoperl® Perlator® laminar
- KWC cartridge with safety device L 39 - universal  
– with ceramic discs  
– flow rate and temperature continuously variable  
– temperature and flow rate limitation
- Wall connections 1/2" x 1/2", with shut-off valve L 40 eccentric 4 mm

Flow rate 7.5 l/min (3 bar)  
Acoustic group I





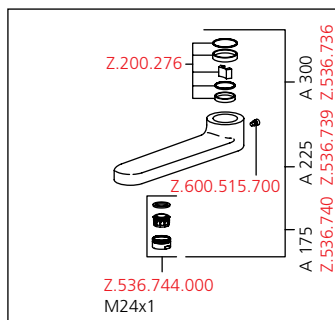
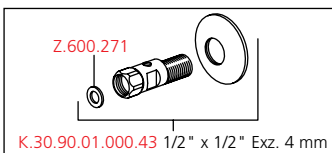
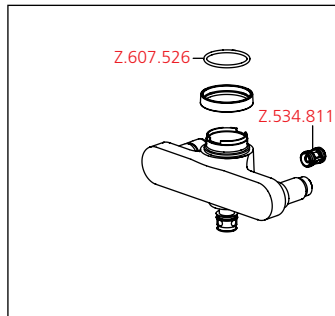
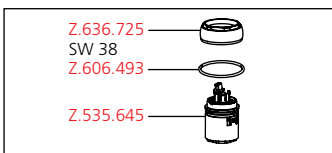
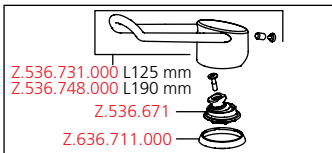
Article-No.	KWC-No.
<b>113.0315.842</b>	11.292.092.000LL
all chrome, AD 153 +/- 8 mm, A 175, with long lever	
<b>113.0315.843</b>	11.292.093.000LL
all chrome, AD 153 +/- 8 mm, A 225, with long lever	
<b>113.0315.844</b>	11.292.094.000LL
all chrome, AD 153 +/- 8 mm, A 300, with long lever	

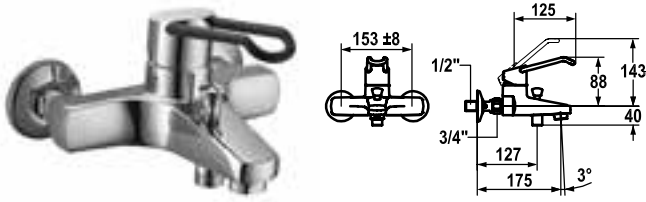
**Lever mixer ■ Basin**

**Lever mixer**

- flexGuard™ - Sealing membrane between lever and cap: protects the inside of the faucet
  - to prevent liquid penetrating from outside
- Operation designed for a secure grip, as well as safe and easy handling
- Ergonomic and robust operating lever, made of polyamide
  - to adjust the handling even better to suit personal requirements, the offset lever can be installed so that it is twisted into the cap (standard: see illustration)
- Swivel spout 90°
  - adjustable with screw
  - Neoperl® Perlator® laminar
- KWC cartridge with safety device L 39 - universal
  - with ceramic discs
  - flow rate and temperature continuously variable
  - temperature and flow rate limitation
- Wall connections 1/2" x 1/2", with shut-off valve L 40 eccentric 4 mm

Flow rate 7.5 l/min (3 bar)  
Acoustic group I





Article-No.	KWC-No.
<b>113.0315.813</b>	20.292.313.000
all chrome, AD 153 +/- 8 mm, A 175, without hand shower and hose	

**Lever mixer ■ Tub**

Lever mixer

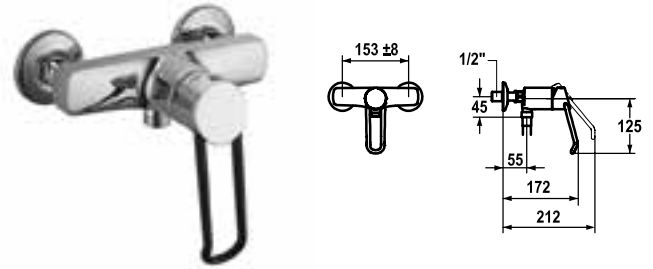
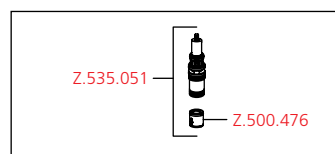
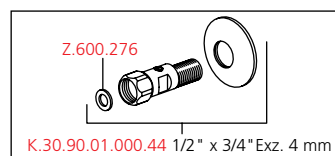
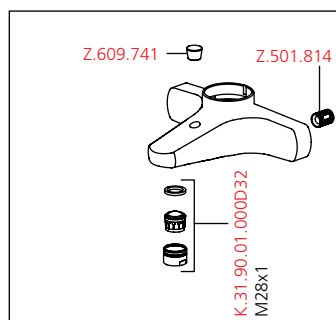
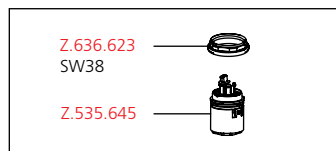
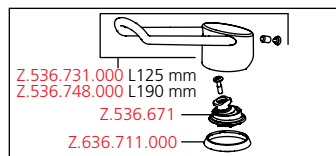
- flexGuard™ - Sealing membrane between lever and cap: protects the inside of the faucet  
– to prevent liquid penetrating from outside
- Operation designed for a secure grip, as well as safe and easy handling
- Ergonomic and robust operating lever, made of polyamide  
– to adjust the handling even better to suit personal requirements, the offset lever can be installed so that it is twisted into the cap (standard: see illustration)
- Intrinsicly safe against backflow
- Fixed spout  
– Neoperl® Perlator®
- KWC cartridge with safety device L 39 - universal  
– with ceramic discs  
– flow rate and temperature continuously variable  
– temperature and flow rate limitation
- Wall connections 1/2" x 3/4", with shut-off valve L 40 eccentric 4 mm

Flow rate 21 l/min (3 bar)

Acoustic group I

Spray outlet: Flow rate 18 l/min (3 bar)

Spray outlet: Acoustic group I



Article-No.	KWC-No.
<b>113.0315.812</b>	21.292.310.000
all chrome, AD 153 +/- 8 mm, without hand shower and hose	

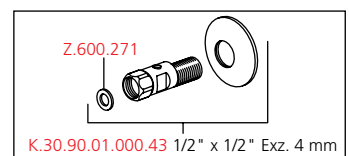
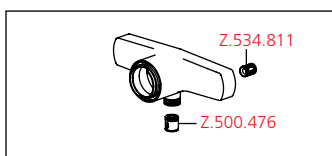
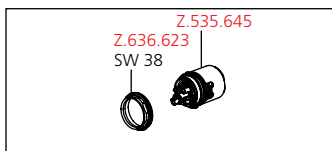
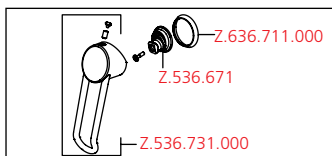
**Lever mixer ■ Shower**

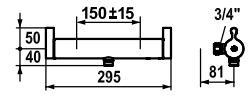
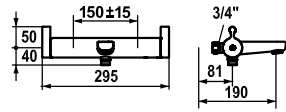
Lever mixer

- flexGuard™ - Sealing membrane between lever and cap: protects the inside of the faucet  
– to prevent liquid penetrating from outside
- Operation designed for a secure grip, as well as safe and easy handling
- Ergonomic and robust operating lever, made of polyamide  
– to adjust the handling even better to suit personal requirements, the offset lever can be installed so that it is twisted into the cap (standard: see illustration)
- Intrinsicly safe against backflow
- KWC cartridge with safety device L 39 - universal  
– with ceramic discs  
– flow rate and temperature continuously variable  
– temperature and flow rate limitation
- Wall connections 1/2" x 1/2", with shut-off valve L 40 eccentric 4 mm

Spray outlet: Flow rate 18 l/min (3 bar)

Spray outlet: Acoustic group I





Article-No.	KWC-No.
<b>113.0396.241</b>	20.292.503.000
all chrome, AD 150 +/- 15 mm, A 190, without hand shower and hose	

Article-No.	KWC-No.
<b>113.0396.242</b>	21.292.500.000
all chrome, AD 150 +/- 15 mm, without hand shower and hose	

**Thermostatic mixer ▀ Tub**

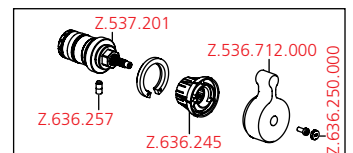
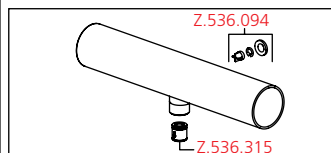
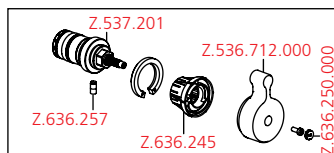
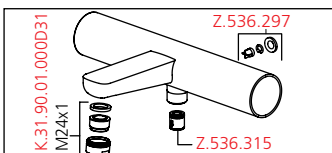
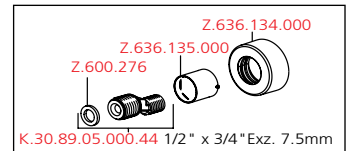
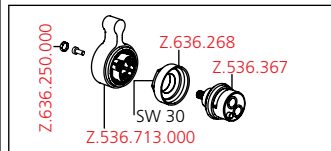
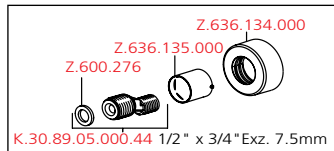
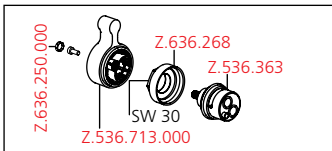
Thermostat

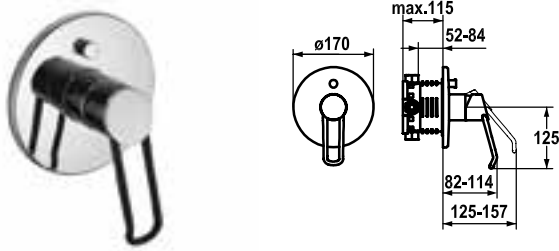
- ▀ Operation designed for a secure grip, as well as safe and easy handling
- ▀ smartControl - water-saving device
- ▀ touchControl - the body of the mixer does not become hot
- ▀ hotControl - temperature handle with safety stop button 38°C
- ▀ Turning handle to control flow and for diverter
- ▀ Intrinsicly safe against backflow
- ▀ Fixed spout
  - Neoperl® Cascade®
- ▀ Thermostatic precision control unit
  - constant water temperature (even when mains pressure fluctuates)
  - fast response
- ▀ Concealed wall connections 1/2" x 3/4", without shut-off valve L 46 eccentric 7.5 mm

**Thermostatic mixer ▀ Shower**

Thermostat

- ▀ Operation designed for a secure grip, as well as safe and easy handling
- ▀ smartControl - water-saving device
- ▀ touchControl - the body of the mixer does not become hot
- ▀ hotControl - temperature handle with safety stop button 38°C
- ▀ Turning handle to control flow
- ▀ Intrinsicly safe against backflow
- ▀ Thermostatic precision control unit
  - constant water temperature (even when mains pressure fluctuates)
  - fast response
- ▀ Concealed wall connections 1/2" x 3/4", without shut-off valve L 46 eccentric 7.5 mm





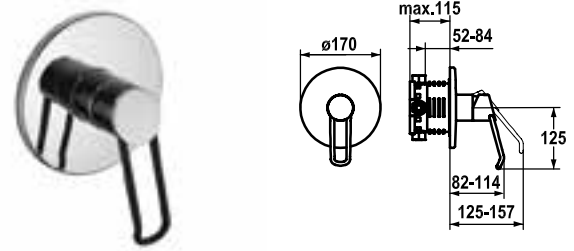
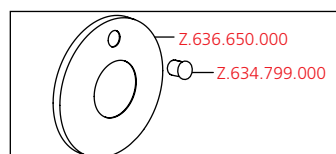
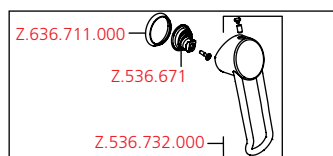
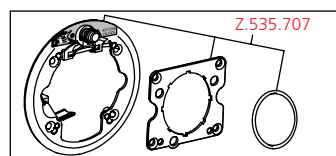
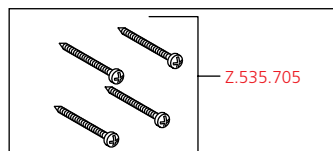
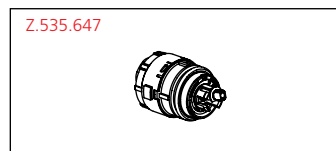
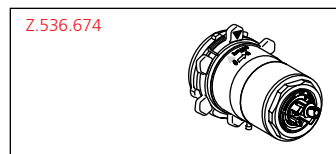
Article-No.	KWC-No.
<b>113.0315.817</b>	20.294.400.000
all chrome, Trim kit	

**Trim kit ■ Lever mixer ■ Tub**

Trim kit with function unit

- flexGuard™ - Sealing membrane between lever and cap:
  - protects the inside of the faucet
  - to prevent liquid penetrating from outside
- Operation designed for a secure grip, as well as safe and easy handling
- Ergonomic and robust operating lever, made of polyamide
  - to adjust the handling even better to suit personal requirements, the offset lever can be installed so that it is twisted into the cap (standard: see illustration)
- Outflow top and below
- Pressure diversion
- Diverter with automatic reset
- KWC cartridge XL 46 - high capacity
  - with ceramic discs
  - flow rate and temperature continuously variable
  - temperature limitation
- Scope of delivery:
  - Function unit, lever, cap, sleeve, cover plate, diverter
  - Fastening of the cover plate without screws
- To be ordered separately:
  - Unit for concealed installation KWC VAROX ½" 39.999.300.931, with shut-off valves

Flow rate 27 l/min (3 bar)  
Acoustic group I



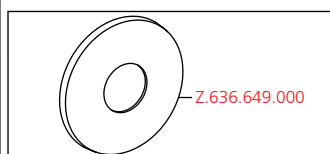
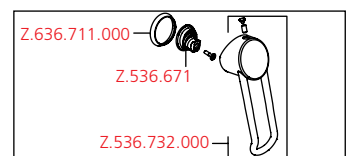
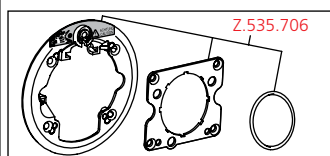
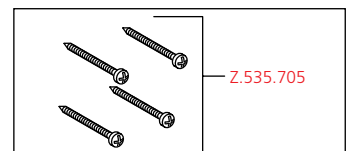
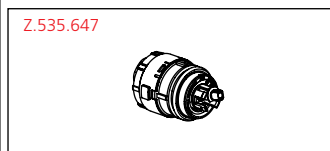
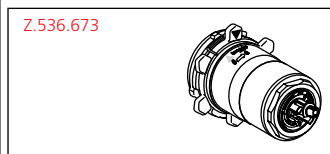
Article-No.	KWC-No.
<b>113.0315.816</b>	21.294.400.000
all chrome, Trim kit	

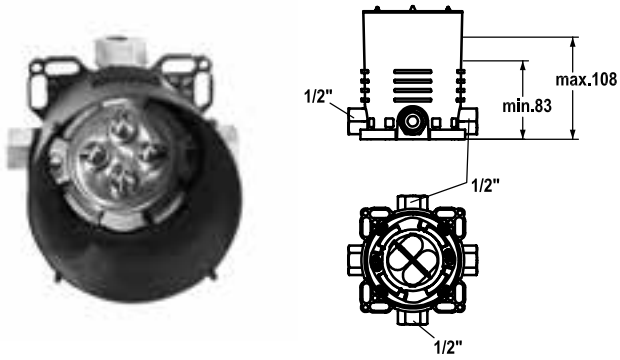
**Trim kit ■ Lever mixer ■ Shower**

Trim kit with function unit

- flexGuard™ - Sealing membrane between lever and cap:
  - protects the inside of the faucet
  - to prevent liquid penetrating from outside
- Operation designed for a secure grip, as well as safe and easy handling
- Ergonomic and robust operating lever, made of polyamide
  - to adjust the handling even better to suit personal requirements, the offset lever can be installed so that it is twisted into the cap (standard: see illustration)
- Outflow top or below
- KWC cartridge with safety device L 46 - high capacity
  - with ceramic discs
  - flow rate and temperature continuously variable
  - temperature and flow rate limitation
- Scope of delivery:
  - Function unit, lever, cap, sleeve, cover plate
- To be ordered separately:
  - Unit for concealed installation KWC VAROX ½" 39.999.300.931, with shut-off valves

Flow rate 27 l/min (3 bar)  
Acoustic group I





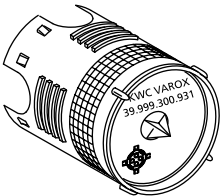
Article-No.	KWC-No.
<b>112.0315.787</b>	39.999.300.931
Concealed unit	

### Concealed unit

#### Concealed unit compact

- Integrated shut-off valves cold and hot water
- Connecting thread 1/2" (stopper 1/2" incl. in delivery)
- Scope of delivery:
  - Installation box and cover sleeve, plastic incl. sleeve gasket
  - Multifix fastening system
- To be ordered separately (optional or if necessary):
  - Extension set 20 mm Z.535.719

Z.535.701



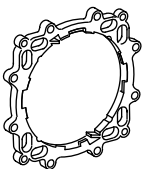
Z.535.702



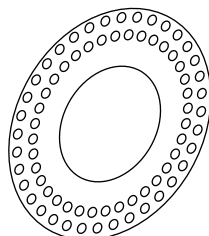
Z.535.703

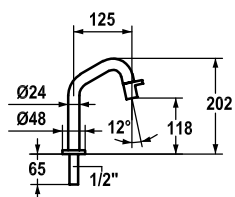


Z.635.179



Z.635.180



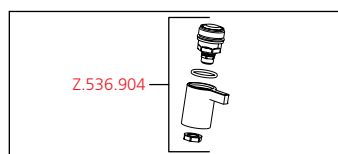


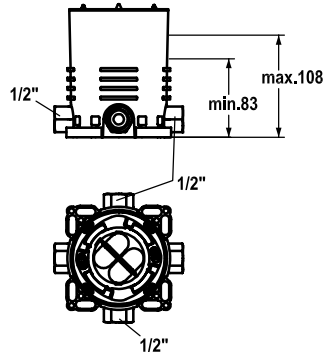
Article-No.	KWC-No.
<b>112.0315.877</b>	25.001.011.000
all chrome, A 125, G 1/2"	

### Vertical shut-off valve

Vertical shut-off valve

- Operating handle integrated into the spout
- Fixed spout
  - Neoperl® Caché®
- Ceramic disc valve 1/2" 90°
- Connecting thread 1/2"
- Mounting hole size ø22mm oder ø35mm



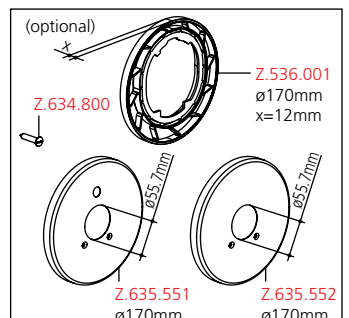
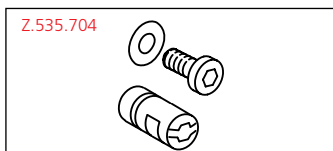
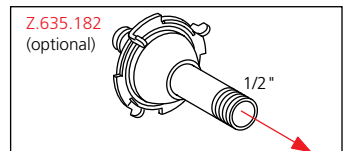
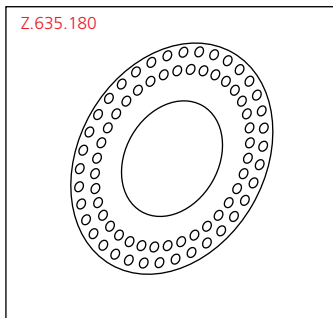
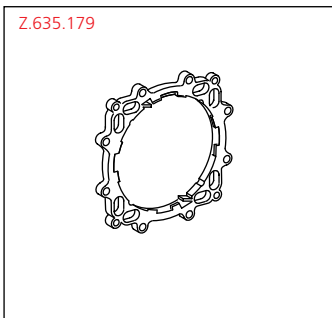
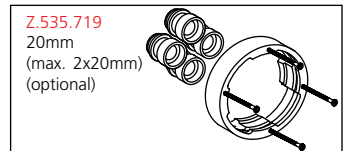
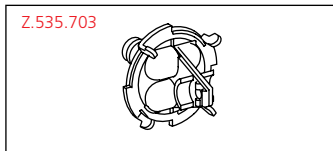
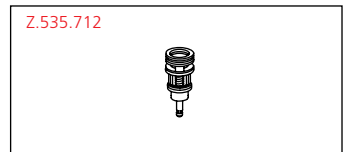
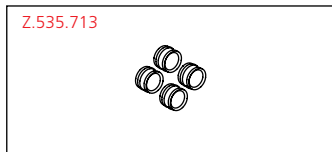
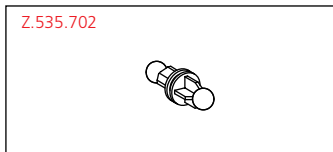


Article-No.	KWC-No.
<b>112.0315.787</b>	39.999.300.931
Concealed unit	

**Concealed unit**

**Concealed unit compact**

- Integrated shut-off valves cold and hot water
- Connecting thread 1/2" (stopper 1/2" incl. in delivery)
- Scope of delivery:
  - Installation box and cover sleeve, plastic incl. sleeve gasket
  - Multifix fastening system
- To be ordered separately (optional or if necessary):
  - Extension set 20 mm Z.535.719



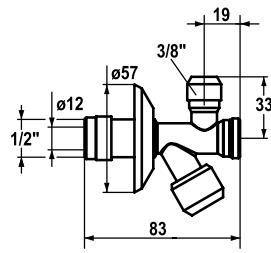




Article-No.	KWC-No.
<b>112.0362.927</b>	Z.536.114

### Installation kit

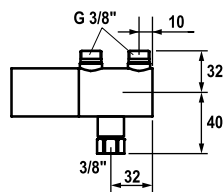
- Suitable for:
  - Concealed unit KWC VAROX



<b>Article-No.</b>	KWC-No.
<b>112.0315.872</b>	Z.536.576.000
all chrome	

### Shut-off valve with filter

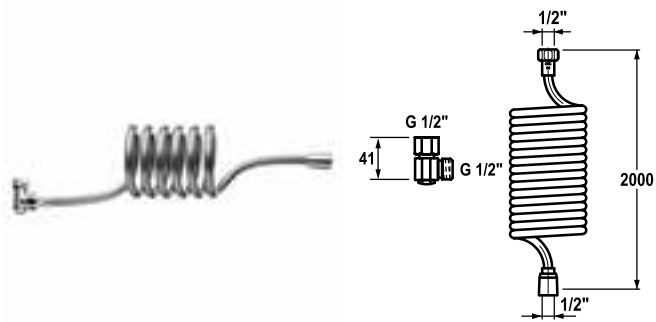
- Connecting thread 1/2"
- Compression fitting length compensation for copper tube



<b>Article-No.</b>	KWC-No.
<b>112.0315.873</b>	12.290.600.000
all chrome	

### Safety thermostatic pre-mixer

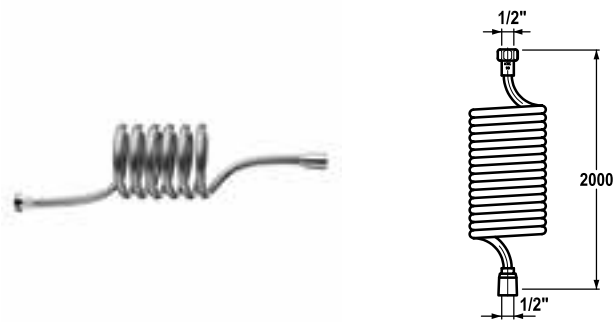
- Connecting thread 3/8"
- Installation on corner valve



Article-No.	KWC-No.
<b>112.0315.876</b>	26.000.910.000
all chrome	

**Drainage valve with spiral hose**

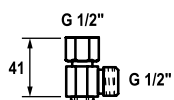
- Automatic hose emptying
- Connecting thread G 1/2"



Article-No.	KWC-No.
<b>112.0315.875</b>	26.001.025.000
all chrome	

**Spiral hose**

- Connecting thread G 1/2"



Article-No.	KWC-No.
<b>112.0315.874</b>	26.000.900.000
all chrome	

**Drainage valve**

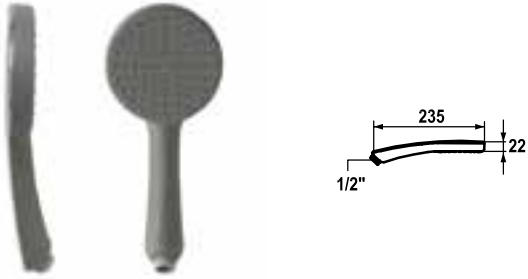
- Automatic hose emptying
- Connecting thread G 1/2"

# Shower **Culture**



**ShowerCulture**

KWC BOSSANOVA	226
KWC ELY	230
KWC FIT-S	231
KWC Shower heads	232
KWC Shower arms	235
KWC Shower systems	238
KWC Shower brackets	247
KWC Sliding wall bars	248
KWC Sliding wall bar kits	249
KWC Hose connections	251
KWC Shower hoses	253



Article-No.	KWC-No.
<b>112.0315.815</b>	26.000.110.040
chrome/urban grey	

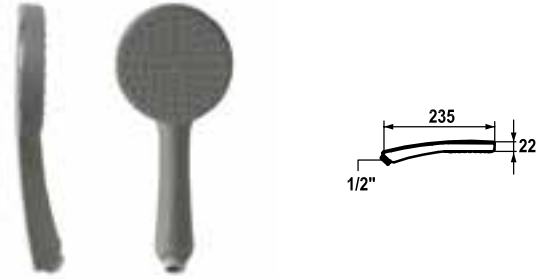
### Hand shower



Hand shower KWC BOSSANOVA air

- touchControl - hand shower does not become hot
- Angled hand shower hose connection, straight hose position
- ergoskin - ergonomic grip, pleasant surface
- (AIR) Water saving
- Cleaning-friendly faceplate
- ecojet
- Connecting thread 1/2"

Flow rate 8 l/min (3 bar)  
Acoustic group I



Article-No.	KWC-No.
<b>112.0315.816</b>	26.000.111.040
chrome/urban grey	

### Hand shower

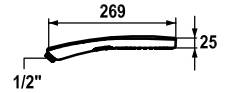
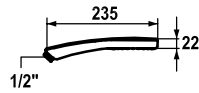


Hand shower KWC BOSSANOVA mono

- touchControl - hand shower does not become hot
- Angled hand shower hose connection, straight hose position
- ergoskin - ergonomic grip, pleasant surface
- Cleaning-friendly faceplate
- fitjet
- Connecting thread 1/2"

Flow rate 12 l/min (3 bar)  
Acoustic group I





Article-No.	KWC-No.
<b>112.0324.473</b>	26.000.111.045
chrome/edelweiss	

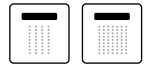
Article-No.	KWC-No.
<b>112.0315.818</b>	26.000.112.040
chrome/urban grey	

**Hand shower**



- Hand shower KWC BOSSANOVA mono
- touchControl - hand shower does not become hot
  - Angled hand shower hose connection, straight hose position
  - ergoskin - ergonomic grip, pleasant surface
  - Cleaning-friendly faceplate
  - fitjet
  - Connecting thread 1/2"

**Hand shower**



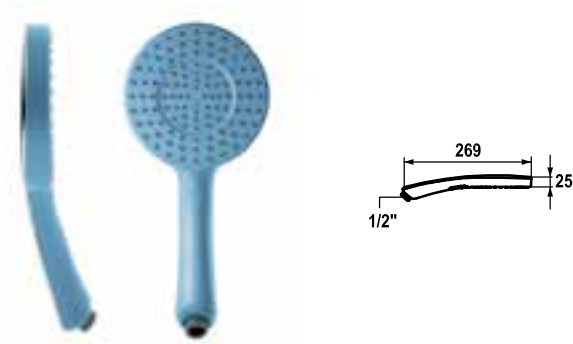
- Hand shower KWC BOSSANOVA duo
- touchControl - hand shower does not become hot
  - Angled hand shower hose connection, straight hose position
  - ergoskin - ergonomic grip, pleasant surface
  - Cleaning-friendly faceplate
  - fitjet & spajet
    - remains set to the last shower spray selected
  - Connecting thread 1/2"

Flow rate 12 l/min (3 bar)  
Acoustic group I



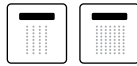
Flow rate 16 l/min (3 bar)  
Acoustic group I





Article-No.	KWC-No.
<b>112.0315.817</b>	26.000.112.041
chrome/harmonic blue	

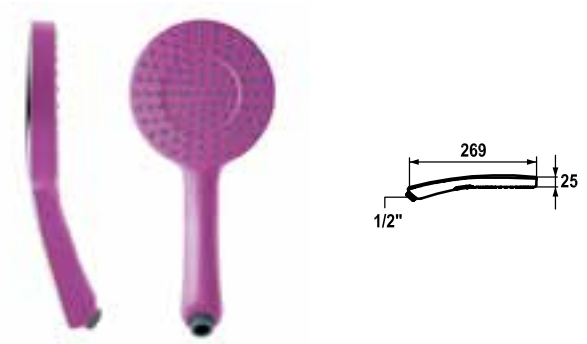
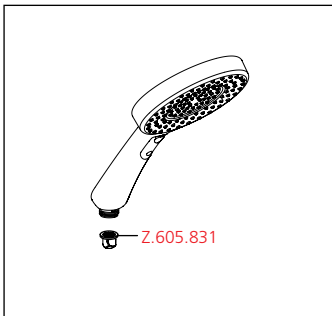
### Hand shower



Hand shower KWC BOSSANOVA duo

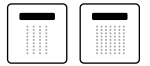
- touchControl - hand shower does not become hot
- Angled hand shower hose connection, straight hose position
- ergoskin - ergonomic grip, pleasant surface
- Cleaning-friendly faceplate
- fitjet & spajet
  - remains set to the last shower spray selected
- Connecting thread 1/2"

Flow rate 16 l/min (3 bar)  
Acoustic group I



Article-No.	KWC-No.
<b>112.0315.819</b>	26.000.112.042
chrome/fancy purple	

### Hand shower



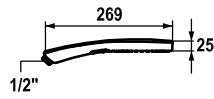
Hand shower KWC BOSSANOVA duo

- touchControl - hand shower does not become hot
- Angled hand shower hose connection, straight hose position
- ergoskin - ergonomic grip, pleasant surface
- Cleaning-friendly faceplate
- fitjet & spajet
  - remains set to the last shower spray selected
- Connecting thread 1/2"

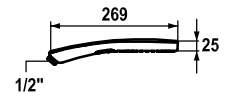
Flow rate 16 l/min (3 bar)  
Acoustic group I





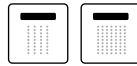


Article-No.	KWC-No.
<b>112.0315.868</b>	26.000.112.043
chrome/midnight blue	



Article-No.	KWC-No.
<b>112.0324.477</b>	26.000.112.045
chrome/edelweiss	

**Hand shower**

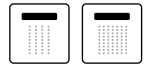


- Hand shower KWC BOSSANOVA duo
- touchControl - hand shower does not become hot
  - Angled hand shower hose connection, straight hose position
  - ergoskin - ergonomic grip, pleasant surface
  - Cleaning-friendly faceplate
  - fitjet & spajet
    - remains set to the last shower spray selected
  - Connecting thread 1/2"

Flow rate 16 l/min (3 bar)  
Acoustic group I



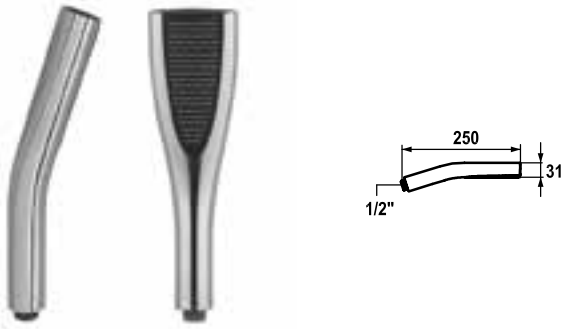
**Hand shower**



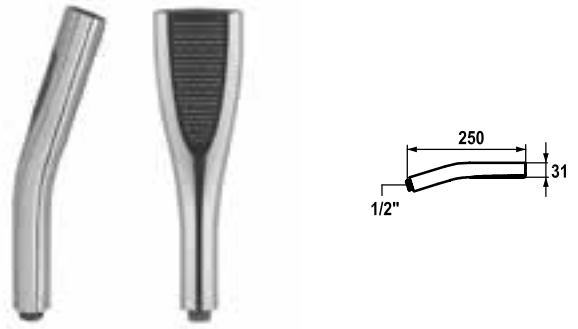
- Hand shower KWC BOSSANOVA duo
- touchControl - hand shower does not become hot
  - Angled hand shower hose connection, straight hose position
  - ergoskin - ergonomic grip, pleasant surface
  - Cleaning-friendly faceplate
  - fitjet & spajet
    - remains set to the last shower spray selected
  - Connecting thread 1/2"

Flow rate 16 l/min (3 bar)  
Acoustic group I





Article-No.	KWC-No.
<b>112.0315.820</b>	26.000.120.000
all chrome	



Article-No.	KWC-No.
<b>112.0315.821</b>	26.000.121.000
all chrome	

**Hand shower**



- Hand shower KWC ELY mono
- touchControl - hand shower does not become hot
  - Hand shower head angled, straight hose position
  - Cleaning-friendly faceplate
  - fitjet
  - Connecting thread 1/2"

**Hand shower**



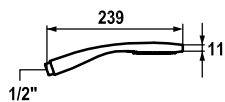
- Hand shower KWC ELY duo
- touchControl - hand shower does not become hot
  - Hand shower head angled, straight hose position
  - Cleaning-friendly faceplate
  - fitjet & powerjet
    - automatically resets to fitjet after use
  - Connecting thread 1/2"

Flow rate 12 l/min (3 bar)  
Acoustic group I



Flow rate 12 l/min (3 bar)  
Acoustic group I





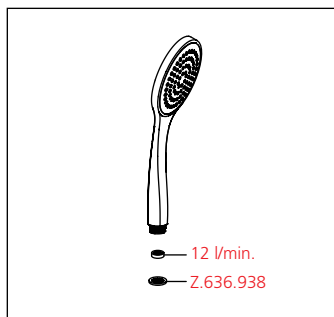
Article-No.	KWC-No.
<b>112.0360.201</b>	26.000.113.000
all chrome	

### Hand shower

Hand shower KWC FIT-S



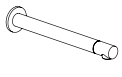
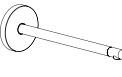
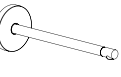

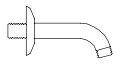

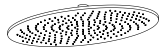
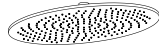
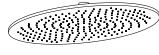
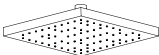

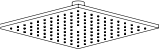
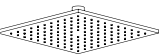
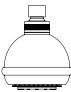

- touchControl - hand shower does not become hot
- Cleaning-friendly faceplate
- fitjet
- Connecting thread 1/2"

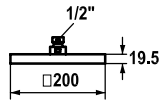
Flow rate 12 l/min (3 bar)  
Acoustic group I



# The right combination

Many KWC products can be combined as desired to suit customers' individual tastes and requirements. The table below shows which shower heads (different models and sizes) can be combined with which overhead shower wall bars (wall or ceiling installation, a variety of lengths and escutcheons).

	 L 352	 L 352	 L 352	 L 385	 L 485	 L 125 L 225 L 325	 L 90
 D 200	•	•	•	•	•	•	
 D 240	•	•	•	•	•	•	
 D 300				•	•	•	
 D 400				•	•	•	
 D 200x200	•	•	•	•	•	•	
 D 240x240	•	•	•	•	•	•	
 D 300x300				•	•	•	
 D 400x400				•	•	•	
	•	•	•	•	•	•	•
	•	•	•	•	•	•	•



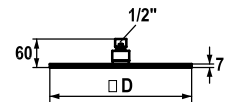
Article-No.	KWC-No.
<b>112.0315.824</b>	26.000.200.000
all chrome, D 200x200	

**Shower head KWC PIATTO Q**

- Made of plastic
- With ball joint
- Cleaning-friendly faceplate
- spajet
- Connecting thread 1/2"
- To be ordered separately:
  - Bracket



Flow rate 12 l/min (3 bar)  
Acoustic group I



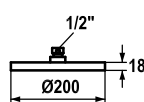
Article-No.	KWC-No.
<b>112.0315.825</b>	26.000.201.000
all chrome, D 240x240	
<b>112.0315.826</b>	26.000.202.000
all chrome, D 300x300	
<b>112.0315.827</b>	26.000.203.000
all chrome, D 400x400	

**Shower head KWC PIATTO Q**

- Made of stainless steel
- With ball joint
- Cleaning-friendly faceplate
- spajet
- Connecting thread 1/2"
- To be ordered separately:
  - Bracket



Flow rate 12 l/min (3 bar)  
Acoustic group I



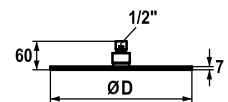
Article-No.	KWC-No.
<b>112.0315.828</b>	26.000.210.000
all chrome, D 200	

**Shower head KWC PIATTO R**

- Made of plastic
- With ball joint
- Cleaning-friendly faceplate
- spajet
- Connecting thread 1/2"
- To be ordered separately:
  - Bracket



Flow rate 12 l/min (3 bar)  
Acoustic group I



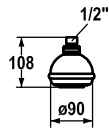
Article-No.	KWC-No.
<b>112.0315.829</b>	26.000.211.000
all chrome, D 240	
<b>112.0315.830</b>	26.000.212.000
all chrome, D 300	
<b>112.0315.831</b>	26.000.213.000
all chrome, D 400	

**Shower head KWC PIATTO R**

- Made of stainless steel
- With ball joint
- Cleaning-friendly faceplate
- spajet
- Connecting thread 1/2"
- To be ordered separately:
  - Bracket



Flow rate 12 l/min (3 bar)  
Acoustic group I



Article-No.	KWC-No.
<b>112.0315.822</b>	26.000.220.000
all chrome	

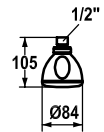
#### Shower head



##### Shower head KWC FIT five

- Made of plastic
- With ball joint
- Cleaning-friendly faceplate
- fitjet
  - five different setting options
- Connecting thread 1/2"
- To be ordered separately:
  - Bracket

Flow rate 12 l/min (3 bar)  
Acoustic group I



Article-No.	KWC-No.
<b>112.0315.823</b>	26.000.221.000
all chrome	

#### Shower head



##### Shower head KWC FIT mono

- Made of plastic
- With ball joint
- Cleaning-friendly faceplate
- fitjet
- Connecting thread 1/2"
- To be ordered separately:
  - Bracket

Flow rate 12 l/min (3 bar)  
Acoustic group I



Article-No.	KWC-No.
<b>112.0315.834</b>	26.000.800.000
all chrome, L 352	

**Shower arm**

- with escutcheon
- suitable for KWC shower heads up to  $\varnothing 240$  mm /  $\square 240$  mm x 240 mm
- Connecting thread 1/2"



Article-No.	KWC-No.
<b>112.0315.835</b>	26.000.801.000
all chrome, L 352	

**Shower arm**

- with escutcheon
- suitable for KWC shower heads up to  $\varnothing 240$  mm /  $\square 240$  mm x 240 mm
- Connecting thread 1/2"



Article-No.	KWC-No.
<b>112.0315.832</b>	26.000.802.000
all chrome, L 352	

**Shower arm**

- with escutcheon
- suitable for KWC shower heads up to  $\varnothing 240$  mm /  $\square 240$  mm x 240 mm
- Connecting thread 1/2"



Article-No.	KWC-No.
<b>112.0315.833</b>	26.000.803.000
all chrome, L 352	

**Shower arm**

- with escutcheon
- suitable for KWC shower heads up to  $\varnothing 240$  mm /  $\square 240$  mm x 240 mm
- Connecting thread 1/2"



Article-No.	KWC-No.
<b>112.0315.836</b>	26.000.810.000
all chrome, L 352	

### Shower arm

- with escutcheon
- suitable for KWC shower heads up to  $\varnothing 240$  mm /  $\square 240$  mm x 240 mm
- Connecting thread  $\frac{1}{2}$ "



Article-No.	KWC-No.
<b>112.0315.837</b>	26.000.813.000
all chrome, L 352	

### Shower arm

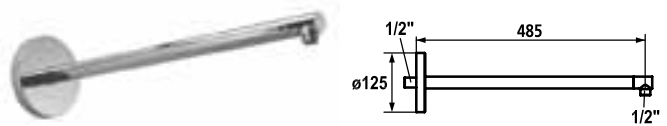
- with escutcheon
- suitable for KWC shower heads up to  $\varnothing 240$  mm /  $\square 240$  mm x 240 mm
- Connecting thread  $\frac{1}{2}$ "



Article-No.	KWC-No.
<b>112.0315.838</b>	26.000.811.000
all chrome, L 385	

### Shower arm

- with escutcheon
- suitable for all KWC shower heads
- Connecting thread  $\frac{1}{2}$ "

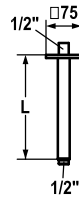
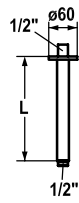


Article-No.	KWC-No.
<b>112.0315.839</b>	26.000.812.000
all chrome, L 485	

### Shower arm

- with escutcheon
- suitable for all KWC shower heads
- Connecting thread  $\frac{1}{2}$ "





Article-No.	KWC-No.
<b>112.0315.840</b>	26.000.820.000
all chrome, L 125	
<b>112.0315.842</b>	26.000.821.000
all chrome, L 225	
<b>112.0315.844</b>	26.000.822.000
all chrome, L 325	

**Shower arm**

- with escutcheon
- suitable for all KWC shower heads
- Connecting thread 1/2"

Article-No.	KWC-No.
<b>112.0315.841</b>	26.000.823.000
all chrome, L 125	
<b>112.0315.843</b>	26.000.824.000
all chrome, L 225	
<b>112.0315.845</b>	26.000.825.000
all chrome, L 325	

**Shower arm**

- with escutcheon
- suitable for all KWC shower heads
- Connecting thread 1/2"

For retrofitting or as a renovation solution

KWC shower systems can be configured to suit individual preferences and requirements.



### Replacement solution



Wall bracket for connection to exposed faucet



- Can be connected to new or existing faucets
- To upgrade the existing installation

**Exposed solution**

Connection to thermostat with outlet at the top



- Connection to existing wall connections (exposed arrangement)
- Including KWC thermostat with outlet at the top

**Concealed solution**

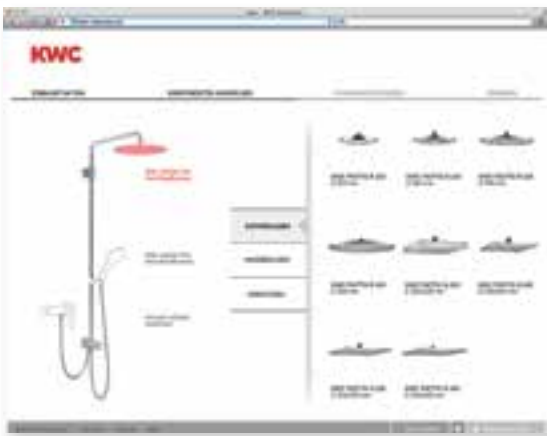
Wall bracket for connection to concealed faucet



- Connection to concealed faucet

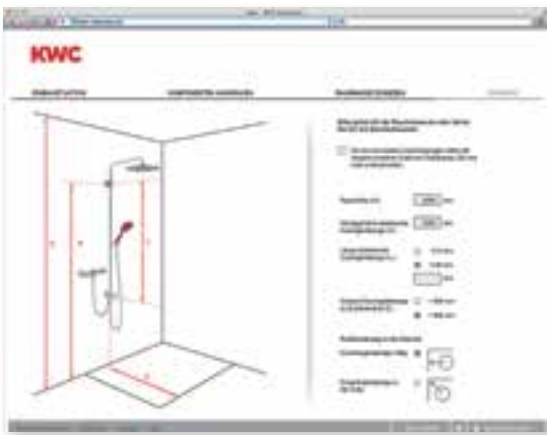
## KWC shower configurator – the online planning tool

Design your ideal KWC shower system online: it's no problem at all with the easy-to-use shower configurator! This professional tool is designed to be extremely user-friendly, and guides you towards your goal – step by step.



### Numerous configuration options

Which configurations are possible in your bathroom? The only input the KWC shower configurator needs from you is a few dimensions, together with the desired installation and spatial details, which you can enter directly online in the corresponding screen.



### The result: material selection with dimensioned drawings

If the desired configuration is feasible, the KWC shower configurator puts together a comprehensive material selection for you with dimensioned drawings, which you can download and print.

[www.kwc.com](http://www.kwc.com)  
[www.showerculture.com](http://www.showerculture.com)

**Tailor-made individual solutions**

Integrated concepts to suit all tastes and areas of application

**Shower heads**



**Water-bearing sliding wall bar**

different reaches (A 300 / A 400)  
different lengths (L 612 / L 1100), can be shortened

**Hand showers**



**Interfaces (water)**



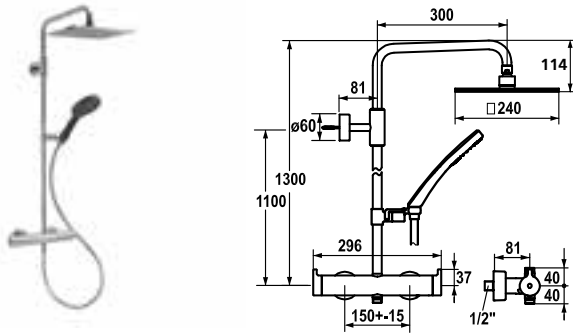
Wall bracket for connection to exposed faucet



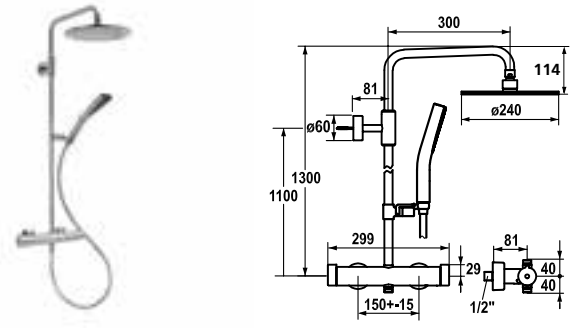
Connection to thermostat with outlet at the top



Wall bracket for connection to concealed faucet



Article-No.	KWC-No.
<b>112.0396.211</b>	26.196.213.000
all chrome, AD 150 +/- 15 mm, A 300, with hand shower and hose	



Article-No.	KWC-No.
<b>112.0396.218</b>	26.156.213.000
all chrome, AD 150 +/- 15 mm, A 300, with hand shower and hose	

### Thermostatic mixer ■ Shower system

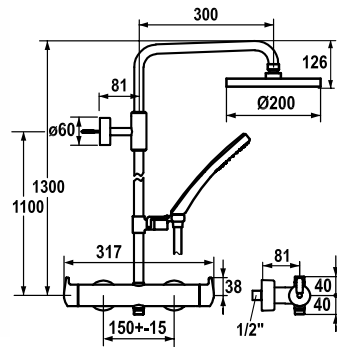
#### Shower system KWC AVA

- smartControl - water-saving device
- touchControl - the body of the mixer does not become hot
- touchControl - the water-bearing sliding wall bar does not become hot, can be shortened to any individual length as required
- touchControl - hand shower does not become hot
- Swiveling bracket, shower head with ball joint
- hotControl - temperature handle with safety stop button 38°C
- Turning handle to control flow and for diverter
- KWC ball joint bracket, elevation adjustment lockable
- Tube diameter 20 mm
- Intrinsicly safe against backflow
- Easy to install on existing connections
- Thermostatic precision control unit
  - constant water temperature (even when mains pressure fluctuates)
  - fast response
- Concealed wall connections 1/2" x 3/4", without shut-off valve L 46 eccentric 7.5 mm
- Scope of delivery:
  - Thermostat incl. wall connections with outlet (top) for water-bearing sliding wall bar
  - Hand shower KWC BOSSANOVA mono 26.000.111.040
  - Shower hose 1800 mm, plastic 26.001.014.000
  - Shower head KWC PIATTO Q240
  - Sliding wall bar kit 26.004.003.000
  - Shower guide rod holder (top), for connecting guide rod and spray arm

### Thermostatic mixer ■ Shower system

#### Shower system KWC ONO

- smartControl - water-saving device
- touchControl - the body of the mixer does not become hot
- touchControl - the water-bearing sliding wall bar does not become hot, can be shortened to any individual length as required
- touchControl - hand shower does not become hot
- Swiveling bracket, shower head with ball joint
- hotControl - temperature handle with safety stop button 38°C
- Turning handle to control flow and for diverter
- KWC ball joint bracket, elevation adjustment lockable
- Tube diameter 20 mm
- Intrinsicly safe against backflow
- Easy to install on existing connections
- Thermostatic precision control unit
  - constant water temperature (even when mains pressure fluctuates)
  - fast response
- Concealed wall connections 1/2" x 3/4", without shut-off valve L 46 eccentric 7.5 mm
- Scope of delivery:
  - Thermostat incl. wall connections with outlet (top) for water-bearing sliding wall bar
  - Hand shower KWC ELY mono 26.000.120.000
  - Shower hose 1800 mm, plastic 26.001.014.000
  - Shower head KWC PIATTO R240
  - Sliding wall bar kit 26.004.003.000
  - Shower guide rod holder (top), for connecting guide rod and spray arm

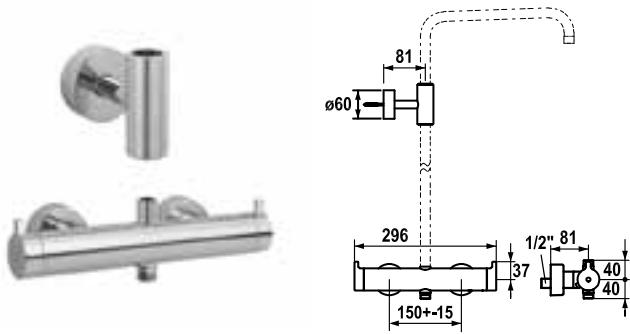


Article-No.	KWC-No.
<b>112.0396.260</b>	26.006.213.000
all chrome, AD 150 +/- 15 mm, A 300, with hand shower and hose	

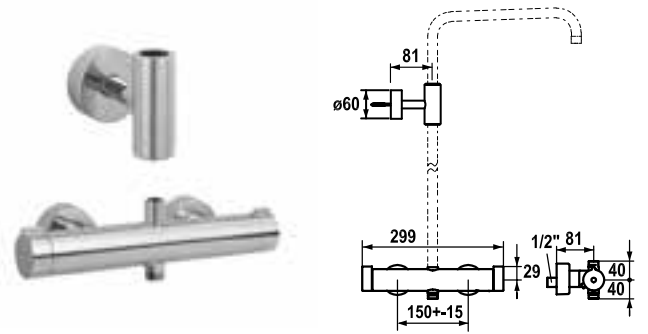
## Thermostatic mixer ▀ Shower system

### Shower system

- smartControl - water-saving device
- touchControl - the body of the mixer does not become hot
- touchControl - the water-bearing sliding wall bar does not become hot, can be shortened to any individual length as required
- touchControl - hand shower does not become hot
- Swiveling bracket, shower head with ball joint
- hotControl - temperature handle with safety stop button 38°C
- Turning handle to control flow and for diverter
- KWC ball joint bracket, elevation adjustment lockable
- Tube diameter 20 mm
- Inherently safe against backflow
- Easy to install on existing connections
- Thermostatic precision control unit
  - constant water temperature (even when mains pressure fluctuates)
  - fast response
- Concealed wall connections 1/2" x 3/4", without shut-off valve L 46 eccentric 7.5 mm
- Scope of delivery:
  - Thermostat incl. wall connections with outlet (top) for water-bearing sliding wall bar
  - Hand shower KWC BOSSANOVA mono 26.000.111.040
  - Shower hose 1800 mm, plastic 26.001.014.000
  - Shower head KWC PIATTO R200
  - Sliding wall bar kit 26.004.003.000
  - Shower guide rod holder (top), for connecting guide rod and spray arm



Article-No.	KWC-No.
<b>112.0396.198</b>	26.195.540.000
all chrome, AD 150 +/- 15 mm	



Article-No.	KWC-No.
<b>112.0396.216</b>	26.155.540.000
all chrome, AD 150 +/- 15 mm	

### Thermostatic mixer ■ Components

#### Thermostat KWC AVA

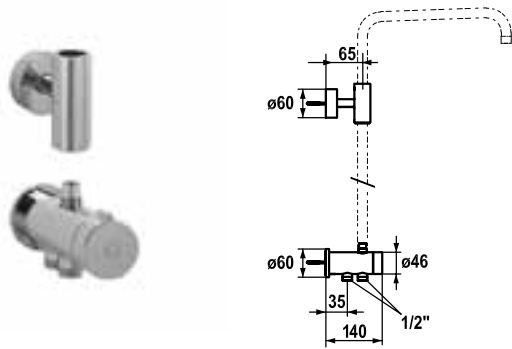
- with outlet (top) for water-bearing sliding wall bar
- Suitable for connection / fixing of water-bearing sliding wall bar kit
- smartControl - water-saving device
- touchControl - the body of the mixer does not become hot
- hotControl - temperature handle with safety stop button 38°C
- Turning handle to control flow and for diverter
- Intrinsically safe against backflow
- Thermostatic precision control unit
  - constant water temperature (even when mains pressure fluctuates)
  - fast response
- Concealed wall connections 1/2" x 3/4", without shut-off valve L 46 eccentric 7.5 mm
- Scope of delivery:
  - Shower hose 1800 mm, plastic 26.001.014.000
  - Shower guide rod holder (top), for connecting guide rod and spray arm
- To be ordered separately:
  - Water-bearing sliding wall bar kit
  - 26.004.001.000
  - 26.004.002.000
  - 26.004.003.000
  - 26.004.004.000
  - Hand shower KWC BOSSANOVA or KWC ELY
  - shower head KWC PIATTO
- Go to [www.kwc.com](http://www.kwc.com) for comprehensive information on planning, installation and operation, or get in touch with your KWC contact person.

### Thermostatic mixer ■ Components

#### Thermostat KWC ONO

- with outlet (top) for water-bearing sliding wall bar
- Suitable for connection / fixing of water-bearing sliding wall bar kit
- smartControl - water-saving device
- touchControl - the body of the mixer does not become hot
- hotControl - temperature handle with safety stop button 38°C
- Turning handle to control flow and for diverter
- Intrinsically safe against backflow
- Thermostatic precision control unit
  - constant water temperature (even when mains pressure fluctuates)
  - fast response
- Concealed wall connections 1/2" x 3/4", without shut-off valve L 46 eccentric 7.5 mm
- Scope of delivery:
  - Shower hose 1800 mm, plastic 26.001.014.000
  - Shower guide rod holder (top), for connecting guide rod and spray arm
- To be ordered separately:
  - Water-bearing sliding wall bar kit
  - 26.004.001.000
  - 26.004.002.000
  - 26.004.003.000
  - 26.004.004.000
  - Hand shower KWC BOSSANOVA or KWC ELY
  - shower head KWC PIATTO
- Go to [www.kwc.com](http://www.kwc.com) for comprehensive information on planning, installation and operation, or get in touch with your KWC contact person.



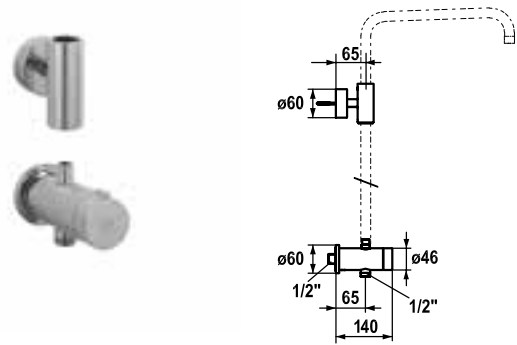


Article-No.	KWC-No.
<b>112.0315.860</b>	26.004.100.000
all chrome	

### Components

Diverter for shower system surface-mounted

- Suitable for connection to surface-mounted mixer / fixing of water-bearing sliding wall bar kit
- Turning handle for diverter
- Scope of delivery:
  - Shower hose 1800 mm, plastic 26.001.014.000 and 1000 mm (can be shortened), plastic 26.001.019.000
  - Shower guide rod holder (top), for connecting guide rod and spray arm
- To be ordered separately:
  - Water-bearing sliding wall bar kit
  - 26.004.001.000
  - 26.004.002.000
  - 26.004.003.000
  - 26.004.004.000
  - Hand shower KWC BOSSANOVA or KWC ELY
  - shower head KWC PIATTO
- Go to [www.kwc.com](http://www.kwc.com) for comprehensive information on planning, installation and operation, or get in touch with your KWC contact person.

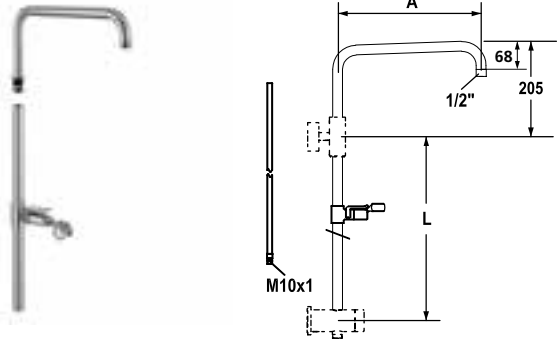


Article-No.	KWC-No.
<b>112.0315.861</b>	26.004.110.000
all chrome	

### Components

Diverter for shower system concealed

- Suitable for connection to concealed unit / fixing of water-bearing sliding wall bar kit
- Turning handle for diverter
- Scope of delivery:
  - Shower hose 1800 mm, plastic 26.001.014.000
  - Shower guide rod holder (top), for connecting guide rod and spray arm
- To be ordered separately:
  - Water-bearing sliding wall bar kit
  - 26.004.001.000
  - 26.004.002.000
  - 26.004.003.000
  - 26.004.004.000
  - Hand shower KWC BOSSANOVA or KWC ELY
  - shower head KWC PIATTO
- Go to [www.kwc.com](http://www.kwc.com) for comprehensive information on planning, installation and operation, or get in touch with your KWC contact person.

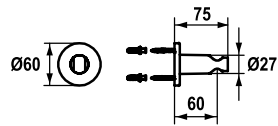


Article-No.	KWC-No.
<b>112.0315.858</b>	26.004.001.000
all chrome, A 300, L 612	
<b>112.0315.859</b>	26.004.002.000
all chrome, A 400, L 612	
<b>112.0315.856</b>	26.004.003.000
all chrome, A 300, L 1100	
<b>112.0315.857</b>	26.004.004.000
all chrome, A 400, L 1100	

## Components

### Sliding wall bar kit

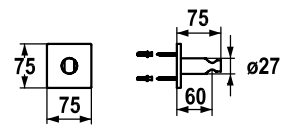
- water-bearing (pipe-in-pipe system)
- incl. shower arm, swiveling
- Suitable for connection / fixing to:
  - thermostat with outlet (top) for water-bearing sliding wall bar
  - sliding wall bar holder (bottom)
- touchControl - the water-bearing sliding wall bar does not become hot, can be shortened to any individual length as required
- KWC ball joint bracket, elevation adjustment lockable
- Tube diameter 20 mm
- Go to [www.kwc.com](http://www.kwc.com) for comprehensive information on planning, installation and operation, or get in touch with your KWC contact person.



Article-No.	KWC-No.
<b>112.0315.804</b>	26.000.621.000
all chrome	

**Shower bracket**

- Non-adjustable
- Suitable for:
  - All hand showers



Article-No.	KWC-No.
<b>112.0315.807</b>	26.000.620.000
all chrome	

**Shower bracket**

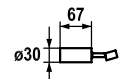
- Non-adjustable
- Suitable for:
  - All hand showers



Article-No.	KWC-No.
<b>112.0315.850</b>	26.000.622.000
all chrome	

**Shower bracket**

- Made of plastic
- Non-adjustable
- Suitable for:
  - All hand showers

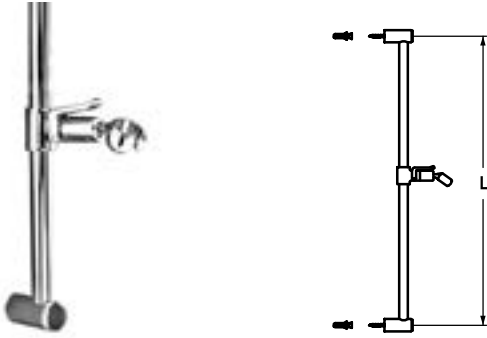


Article-No.	KWC-No.
<b>112.0315.851</b>	26.000.623.000
all chrome	

**Shower bracket**

- Adjustable
- Suitable for:
  - All hand showers

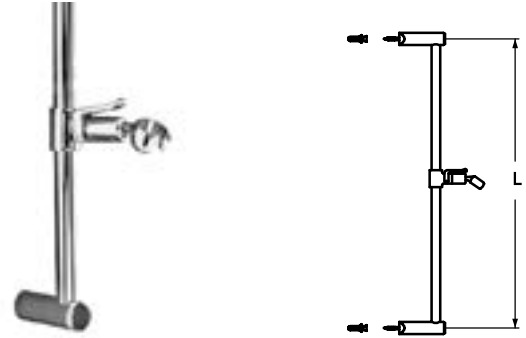
## KWC Sliding wall bars



Article-No.	KWC-No.
<b>113.0278.281</b>	K.26.99.01.000
all chrome, L 612	
<b>113.0278.286</b>	K.26.99.02.000
all chrome, L 1100	

### Sliding wall bar KWC FIT

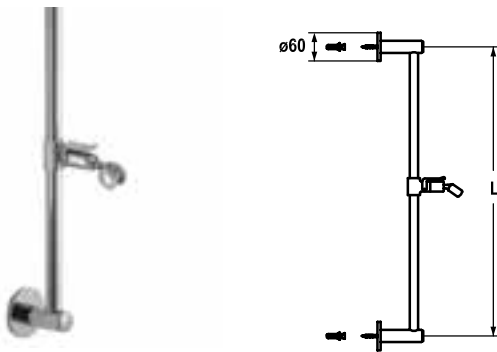
- KWC ball joint bracket, elevation adjustment lockable
- Tube diameter 18 mm



Article-No.	KWC-No.
<b>112.0315.796</b>	K.26.99.05.000
all chrome, L 612	
<b>112.0315.797</b>	K.26.99.06.000
all chrome, L 1100	

### Sliding wall bar KWC FIT

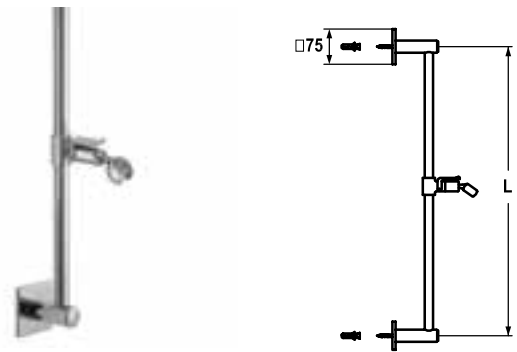
- Corner model
- KWC ball joint bracket, elevation adjustment lockable
- Tube diameter 18 mm



Article-No.	KWC-No.
<b>112.0315.846</b>	26.000.502.000
all chrome, L 612	
<b>112.0315.847</b>	26.000.503.000
all chrome, L 1100	

### Sliding wall bar

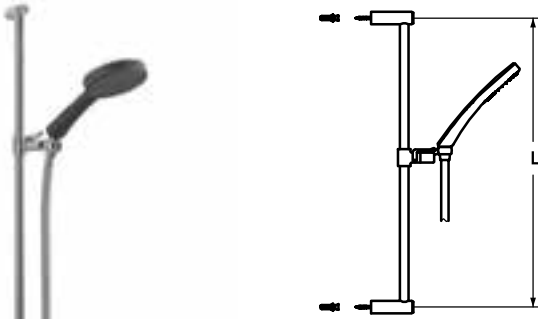
- KWC ball joint bracket, elevation adjustment lockable
- Tube diameter 18 mm



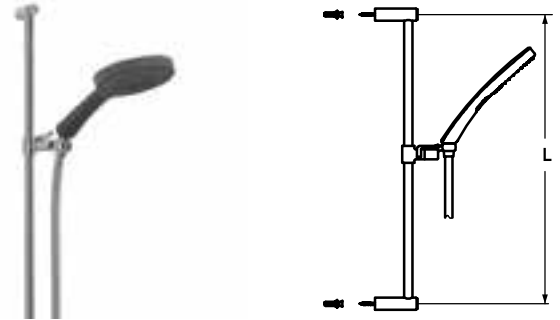
Article-No.	KWC-No.
<b>112.0315.848</b>	26.000.504.000
all chrome, L 612	
<b>112.0315.849</b>	26.000.505.000
all chrome, L 1100	

### Sliding wall bar

- KWC ball joint bracket, elevation adjustment lockable
- Tube diameter 18 mm



Article-No.	KWC-No.
<b>112.0315.864</b>	26.003.201.000
all chrome, L 612	
<b>112.0315.865</b>	26.003.202.000
all chrome, L 1100	



Article-No.	KWC-No.
<b>112.0315.866</b>	26.003.301.000
all chrome, L 612	
<b>112.0315.867</b>	26.003.302.000
all chrome, L 1100	

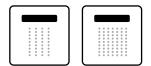
### Sliding wall bar kit



#### Sliding wall bar kit KWC BOSSANOVA mono

- touchControl - hand shower does not become hot
- Angled hand shower hose connection, straight hose position
- ergoskin - ergonomic grip, pleasant surface
- KWC ball joint bracket, elevation adjustment lockable
- Tube diameter 18 mm
- Cleaning-friendly faceplate
- fitjet
- Scope of delivery:
  - Hand shower KWC BOSSANOVA mono 26.000.111.040
  - Shower hose 1800 mm, plastic 26.001.014.000
  - Sliding wall bar K.26.99.01.000

### Sliding wall bar kit

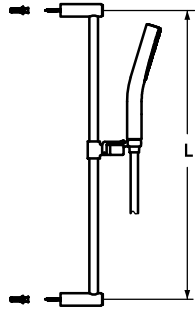


#### Sliding wall bar kit KWC BOSSANOVA duo

- touchControl - hand shower does not become hot
- Angled hand shower hose connection, straight hose position
- ergoskin - ergonomic grip, pleasant surface
- KWC ball joint bracket, elevation adjustment lockable
- Tube diameter 18 mm
- Cleaning-friendly faceplate
- fitjet & spajet
- Scope of delivery:
  - Hand shower KWC BOSSANOVA duo 26.000.112.040
  - Shower hose 1800 mm, plastic 26.001.014.000
  - Sliding wall bar K.26.99.01.000

Flow rate 12 l/min (3 bar)  
Acoustic group I

Flow rate 16 l/min (3 bar)  
Acoustic group I



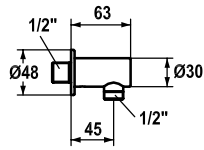
Article-No.	KWC-No.
<b>112.0315.862</b>	26.003.101.000
all chrome, L 612	
<b>112.0315.863</b>	26.003.102.000
all chrome, L 1100	

### Sliding wall bar kit



#### Sliding wall bar kit KWC ELY mono

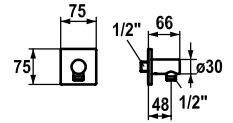
- touchControl - hand shower does not become hot
- Hand shower head angled, straight hose position
- KWC ball joint bracket, elevation adjustment lockable
- Tube diameter 18 mm
- Cleaning-friendly faceplate
- fitjet
- Scope of delivery:
  - Hand shower KWC ELY mono 26.000.120.000
  - Shower hose 1800 mm, plastic 26.001.014.000
  - Sliding wall bar K.26.99.01.000



Article-No.	KWC-No.
<b>112.0315.800</b>	26.000.610.000
all chrome	

**Hose connection**

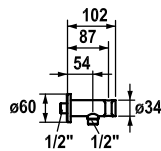
- Intrinsically safe against backflow
- Connecting thread 1/2"



Article-No.	KWC-No.
<b>112.0315.805</b>	26.000.611.000
all chrome	

**Hose connection**

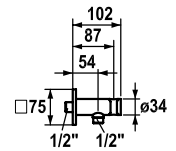
- Intrinsically safe against backflow
- Connecting thread 1/2"



Article-No.	KWC-No.
<b>112.0315.852</b>	26.000.612.000
all chrome	

**Hose connection**

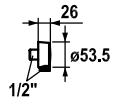
- with integrated shower bracket
- Intrinsically safe against backflow
- Connecting thread 1/2"



Article-No.	KWC-No.
<b>112.0315.853</b>	26.000.613.000
all chrome	

**Hose connection**

- with integrated shower bracket
- Intrinsically safe against backflow
- Connecting thread 1/2"

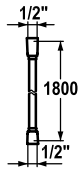


Article-No.	KWC-No.
<b>112.0315.854</b>	26.000.614.000
all chrome	

#### Hose connection

- Connecting thread 1/2"

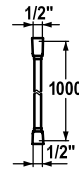




Article-No.	KWC-No.
<b>112.0315.878</b>	26.001.014.000
all chrome, L 1800	
<b>112.0315.879</b>	26.001.012.000
all chrome, L 1250	

**Shower hose**

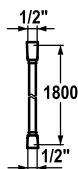
- secure against twisting: rotatable (long) cone
- Made of plastic
- Connecting thread 1/2"



Article-No.	KWC-No.
<b>112.0315.869</b>	26.001.019.000
all chrome, L 1000	

**Shower hose**

- secure against twisting: rotatable (long) cone
- can be shortened
- Made of plastic
- Connecting thread 1/2"



Article-No.	KWC-No.
<b>133.0326.076</b>	26.001.004.000
all chrome, L 1800	

**Shower hose**

- secure against twisting: rotatable (long) cone
- Made of plastic
- Connecting thread 1/2"

# Automatic **faucets**

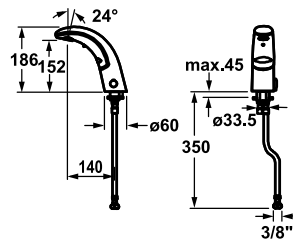


**Automatic faucets**

---

KWC IQUA

256



Article-No. KWC-No.

**113.0315.708** K.12.JB.52M000B23

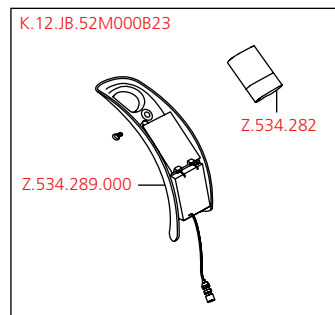
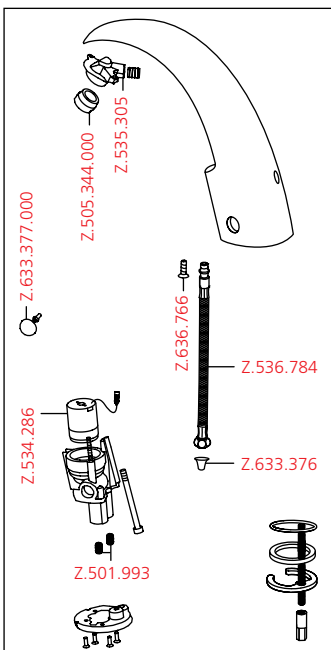
all chrome, A 140, flexible connection hose, without pop-up valve, battery, Basic, without mixing

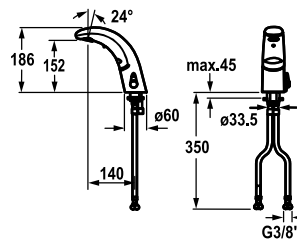
### Automatic, non-contact ■ Basin

#### Automatic

- Dual infrared sensor A20
- Without mixing
  - for cold or mixed water supply
- Basic: counter-sunk iqua-click
- Microprocessor-control
  - flow time adjustable (1 second factory setting)
  - short time off (cleaning) activatable
  - continuous water flow (filling) activatable
  - sensor sensitivity adjustable permanent, automatic self-calibration
  - 12- or 24-hour-hygiene flushing activatable
- Fixed spout
  - Neoperl® Cascade®
- Electrovalve
- Flexible connection hose 3/8"
- Fastening by means of stud bolt M8 x 1
- Mounting hole size 63.5 mm
- Scope of delivery:
  - Battery 6 V Lithium 2 CR5
  - lifespan at 100 circuits/day: 4 years
- Avoid using infrared controls near highly reflective surfaces (e.g. mirrors, polished stainless steel basins) as this could cause them to activate accidentally or malfunction.

Flow rate 5 l/min (3 bar)  
Acoustic group I





Article-No.	KWC-No.
<b>113.0315.707</b>	K.12.JB.52.000B23

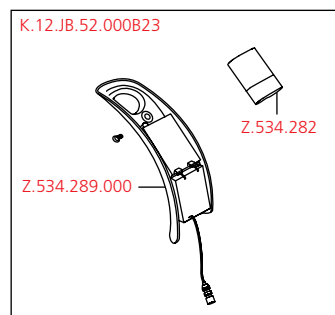
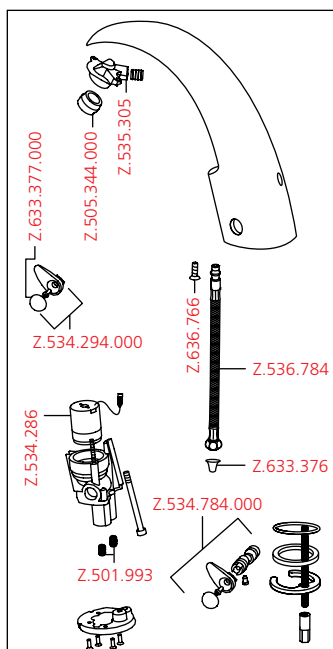
all chrome, A 140, flexible connection hoses, without pop-up valve, battery, Basic, with mixing

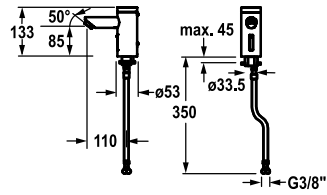
### Automatic, non-contact ■ Basin

#### Automatic

- Dual infrared sensor A10
- With mixing
  - temperature limiter adjustable
- Basic: counter-sunk iqua-click
- Microprocessor-control
  - flow time adjustable (1 second factory setting)
  - short time off (cleaning) activatable
  - continuous water flow (filling) activatable
  - sensor sensitivity adjustable permanent, automatic self-calibration
  - 12- or 24-hour-hygiene flushing activatable
- Fixed spout
  - Neoperl® Cascade®
- Electrovalve
- Flexible connection hoses 3/8"
- Fastening by means of stud bolt M8 x 1
- Mounting hole size ø35 mm
- Scope of delivery:
  - Battery 6 V Lithium 2 CR5
  - lifespan at 100 circuits/day: 4 years
- Avoid using infrared controls near highly reflective surfaces (e.g. mirrors, polished stainless steel basins) as this could cause them to activate accidentally or malfunction.

Flow rate 5 l/min (3 bar)  
Acoustic group I





**Article-No.** KWC-No.  
**113.0315.706** K.12.QB.51M000B23

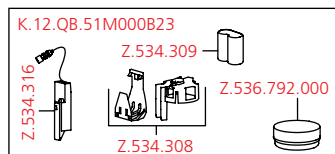
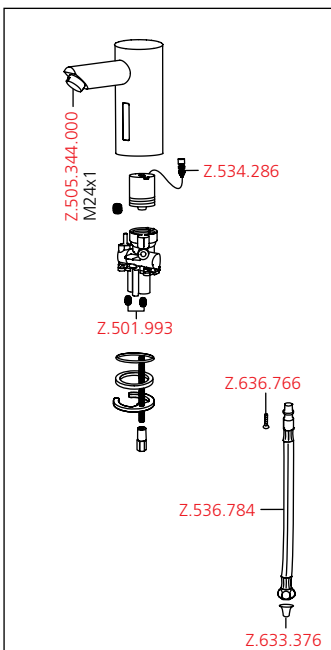
all chrome, A 110, flexible connection hose, without pop-up valve,  
 battery, Basic, without mixing

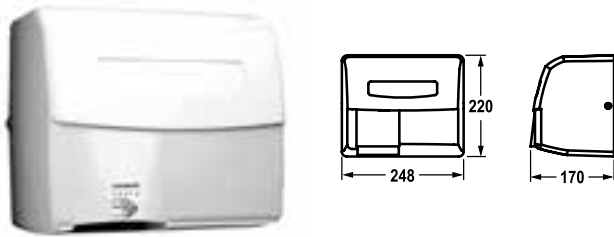
### Automatic, non-contact ■ Basin

#### Automatic

- infrared sensor L20
- Without mixing
  - for cold or mixed water supply
- Basic: counter-sunk iqua-click
- Microprocessor-control
  - flow time adjustable (1 second factory setting)
  - short time off (cleaning) activatable
  - continuous water flow (filling) activatable
  - sensor sensitivity adjustable permanent, automatic self-calibration
  - 12- or 24-hour-hygiene flushing activatable
- Fixed spout
  - Neoperl® Cascade®
- Electrovalve
- Flexible connection hose 3/8"
- Fastening by means of stud bolt M8 x 1
- Mounting hole size ø35 mm
- Scope of delivery:
  - Battery 6 V Lithium CRP2
  - lifespan at 100 circuits/day: 4 years
- Avoid using infrared controls near highly reflective surfaces (e.g. mirrors, polished stainless steel basins) as this could cause them to activate accidentally or malfunction.

Flow rate 5 l/min (3 bar)  
 Acoustic group I



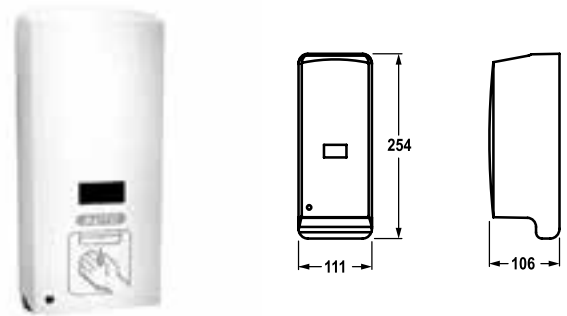


Article-No.	KWC-No.
<b>112.0315.798</b>	K.28.J6.10.102
white, prepared for mains operation	

### Hand dryer HT180

Hand dryer HT180

- Overheating protection for heater and motor
- Safety switch-off after 2 minutes of continuous operation
- Microprocessor-control
- Scope of delivery:
  - Mains operation 230 V / 2300 W

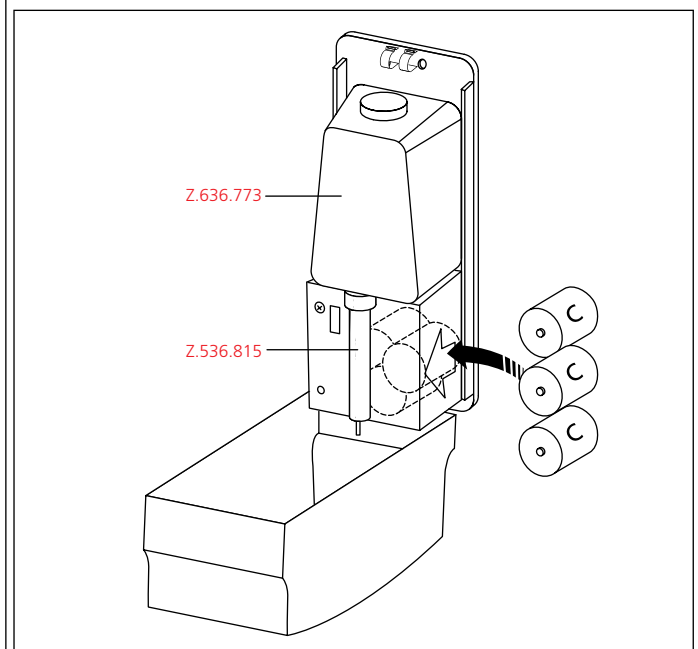


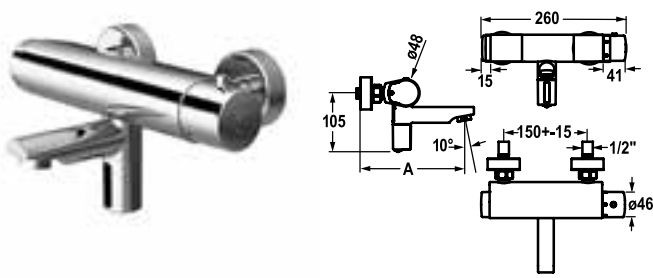
Article-No.	KWC-No.
<b>112.0315.799</b>	K.28.J6.20.102
white, battery	

### Soap dispenser SD80

Soap dispenser SD80, for liquid soap and disinfectant soap (viscosity 2000-6000 mPa\*s, contents 0.8 litre)

- Scope of delivery:
  - Battery 1.5 V Alkaline LR14/2BN (3x)
  - lifespan at 20'000 circuits: 2 years



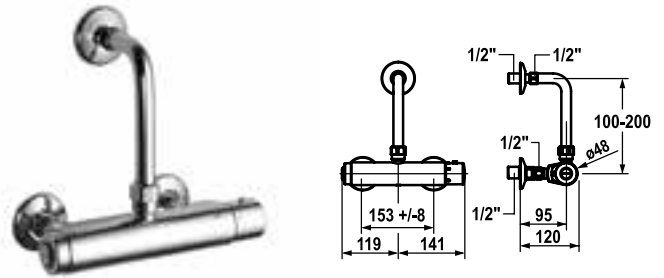
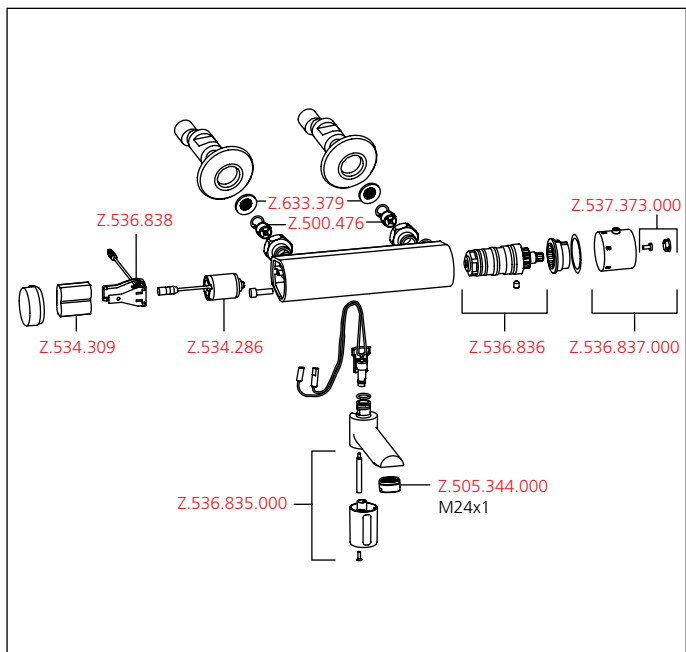


Article-No.	KWC-No.
<b>113.0360.400</b>	11.692.033.000
all chrome, AD 150 +/- 15 mm, A 200, battery	
<b>113.0360.404</b>	11.692.035.000
all chrome, AD 150 +/- 15 mm, A 260, battery	

**Thermostatic mixer ■ Automatic, non-contact ■ Basin**

Automatic

- infrared sensor thermostatico W35
- hotControl - temperature handle with safety stop button 38°C
- Microprocessor-control
  - flow time adjustable (1 second factory setting)
  - short time off (cleaning) activatable
  - continuous water flow (filling) activatable
  - sensor sensitivity adjustable permanent, automatic self-calibration
  - 12- or 24-hour-hygiene flushing activatable
- Fixed spout
  - Neoperl® Cascade®
- Electrovalve
- Concealed wall connections 1/2" x 3/4", without shut-off valve L 46 eccentric 7.5 mm
- Scope of delivery:
  - Battery 6 V Lithium CRP2
  - lifespan at 100 circuits/day: 4 years

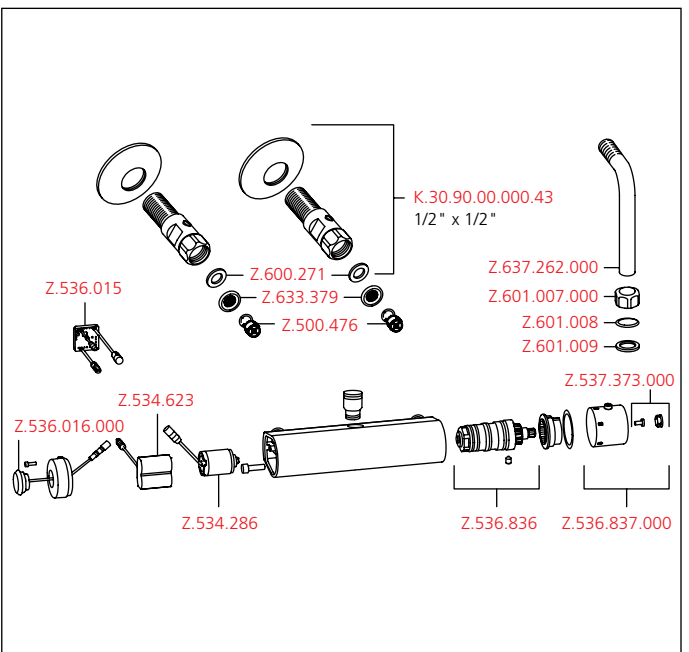


Article-No.	KWC-No.
<b>113.0360.396</b>	21.692.100.000
all chrome, AD 150 +/- 8 mm, battery	

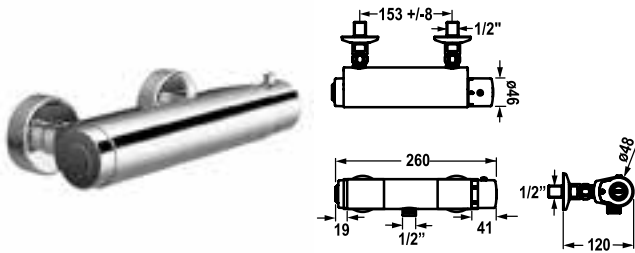
**Thermostatic mixer ■ Shower**

Automatic

- automatically closing mixer with Start/Stop button D35
- With mixing
  - thermostat
- Wall elbow
- hotControl - temperature handle with safety stop button 38°C
- Microprocessor-control
  - duration of water flow - adjustable, 45 seconds (factory setting)
  - 24- or 48-hour-hygiene flushing activatable
- Electrovalve
- Wall connections 1/2" x 1/2", with shut-off valve L 40
- Wall connection 1/2" x 1/2", shut-off valve L 30 (wall elbow)
- Scope of delivery:
  - Battery 6 V Lithium waterproof bonded
  - lifespan at 100 circuits/day: 4 years





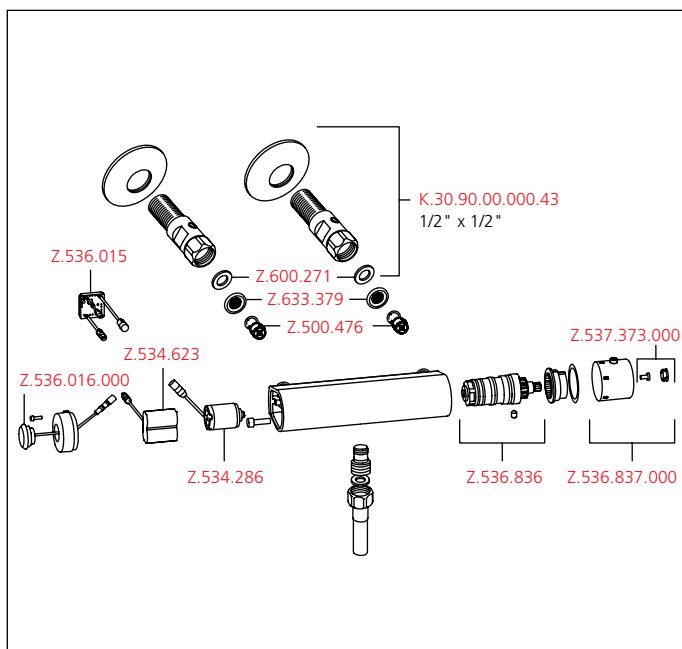


Article-No.	KWC-No.
<b>113.0360.395</b>	21.692.050.000
all chrome, AD 150 +/- 8 mm, battery, without hand shower and hose	

### Thermostatic mixer ■ Shower

#### Automatic

- automatically closing mixer with Start/Stop button D35
- With mixing
  - thermostat
- hotControl - temperature handle with safety stop button 38°C
- Microprocessor-control
  - duration of water flow - adjustable, 45 seconds (factory setting)
  - 24- or 48-hour-hygiene flushing activatable
- Electrovalve
- Wall connections 1/2" x 1/2", with shut-off valve L 40
- Scope of delivery:
  - Battery 6 V Lithium waterproof bonded
  - lifespan at 100 circuits/day: 4 years



KWC  
**Tools/  
Spare parts**



**Tools/Spare parts**

KWC Tools	264
KWC Spare parts	267
Index	270
KWC Index	272
General conditions of sale and delivery	276

Article-No. KWC-No.



**112.0362.740** Z.536.028

**Basin wrench SW 36**



**112.0362.751** Z.536.448

**Torque wrench with various inserts SW 36, SW 34, SW 32, SW 30, SW 24**

**112.0314.435** Z.635.392



**Combination wrench KWC ONO**



**112.0362.752** Z.636.126.700  
stainless steel

**Wrench SW 42 / SW 45**



**112.0362.753** Z.636.127.700  
stainless steel

**Wrench SW 30 / SW 34**



**112.0362.754** Z.636.707.700  
stainless steel

**Wrench SW 38 / SW 42**

---

Article-No. KWC-No.

**112.0362.755** Z.604.638.901



**Splined key for KWC valve**

---

**112.0362.756** Z.604.451.000  
all chrome



**Pin wrench for burglarproof KWC CORONA handles**

---

**133.0324.524** Z.600.774



**Universal faucet grease, bag 2 g**

---

**112.0362.757** Z.531.396



**Universal faucet grease, can 125 g**

---

**112.0314.438** Z.635.075



**Wrench to shower filter KWC SIN**

---

Article-No. KWC-No.



**112.0314.410** Z.636.254

**Service key Neoperl® Caché®, TT, 16 mm, yellow**



**112.0314.431** Z.634.729

**Service key Neoperl® Caché®, TJ, 18 mm, green**



**112.0314.434** Z.635.215

**Service key Neoperl® Caché®, JR, 21 mm, red**



**112.0314.437** Z.635.231

**Service key Neoperl® Caché®, STD, 24 mm, grey**



**112.0329.285** Z.635.966

**Service key Neoperl® Caché®, SLIM TT, 18 mm, blue**



**112.0329.286** Z.636.508

**Universal key caché®, dark grey**

---

Article-No. KWC-No.

**133.0308.503** Z.536.032



**KWC cartridge S 25**

---

**133.0308.502** Z.534.836



**KWC cartridge M 35**

---

**133.0308.373** K.32.60.00



**KWC cartridge L 39 - universal**

---

**133.0325.664** Z.535.645



**KWC cartridge with safety device L 39 - universal**

---

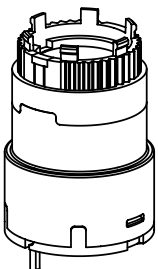
**133.0325.957** Z.535.362



**KWC cartridge L 40**

---

**133.0325.857** Z.634.819



**KWC cartridge L 40 - electronic**

---





---

Article-No. KWC-No.

**133.0308.371** K.32.40.01.931



**Flat valves M20 x 1.25**

---

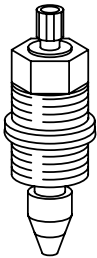
**133.0308.367** K.32.40.10.931



**Flat valves M20 x 1.25 with back flow preventer**

---

**133.0325.414** K.32.44.00.931



**Conical valves M20 x 1.25**

---

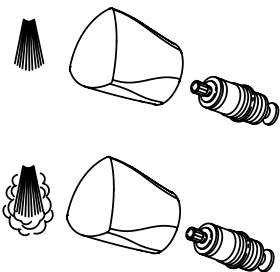
**133.0308.370** Z.501.297



**Ceramic disc valve 1/2"**

---

**133.0325.966** Z.536.446.033  
chrome/clear



**Flat valves M20 x 1.25 (2x) with KWC STAR handles  
(cold and hot water)**

Article-No.	Page	Article-No.	Page	Article-No.	Page	Article-No.	Page
115.0315.641	81	112.0315.854	252	113.0315.715	177	113.0315.819	129
112.0308.148	46,171	112.0315.856	246	113.0315.717	168	113.0315.820	130
112.0308.149	18, 32, 132, 143	112.0315.857	246	113.0315.718	168	113.0315.821	130
112.0308.150	54, 55, 188, 196	112.0315.858	246	113.0315.719	181	113.0315.822	131
112.0308.151	55, 195	112.0315.859	246	113.0315.720	179	113.0315.823	131
112.0308	52, 53, 55, 186, 187, 191, 192, 193, 194, 196	112.0315.860	245	113.0315.722	130	113.0315.824	197
112.0314.410	266	112.0315.861	245	113.0315.724	130	113.0315.825	197
112.0314.431	266	112.0315.862	250	113.0315.725	131	113.0315.826	198
112.0314.434	266	112.0315.863	250	113.0315.726	131	113.0315.827	198
112.0314.435	264	112.0315.864	249	113.0315.727	133	113.0315.828	201
112.0314.437	266	112.0315.865	249	113.0315.728	137	113.0315.829	201
112.0314.438	265	112.0315.866	249	113.0315.729	138	113.0315.830	206
112.0315.785	141, 160, 180	112.0315.867	249	113.0315.730	137	113.0315.831	206
112.0315.786	141, 160, 180	112.0315.868	229	113.0315.731	138	113.0315.832	207
112.0315.787	139, 148, 159, 166, 178, 205, 218, 220	112.0315.869	253	113.0315.733	129	113.0315.833	207
112.0315.796	248	112.0315.872	96, 222	113.0315.735	129	113.0315.834	210
112.0315.797	248	112.0315.873	222	113.0315.736	134	113.0315.835	210
112.0315.798	259	112.0315.874	223	113.0315.737	134	113.0315.836	212
112.0315.799	259	112.0315.875	223	113.0315.742	184	113.0315.837	212
112.0315.800	251	112.0315.876	223	113.0315.743	186	113.0315.838	213
112.0315.801	182, 195	112.0315.877	219	113.0315.744	183	113.0315.839	213
112.0315.802	160, 180	112.0315.878	253	113.0315.745	185	113.0315.840	213
112.0315.804	247	112.0315.879	253	113.0315.746	187	113.0315.841	135
112.0315.805	251	112.0324.473	227	113.0315.747	185	113.0315.842	214
112.0315.806	140	112.0324.477	229	113.0315.748	187	113.0315.843	214
112.0315.807	247	112.0329.285	266	113.0315.749	192	113.0315.844	214
112.0315.808	181	112.0329.286	266	113.0315.750	193	113.0318.970	207
112.0315.809	179	112.0352.070	22, 154	113.0315.751	194	113.0358.260	22, 154
112.0315.810	141, 160, 180	112.0360.164	148	113.0315.752	189	113.0358.271	22, 154
112.0315.811	141, 160, 180	112.0360.201	231	113.0315.753	190	113.0358.272	149
112.0315.812	196	112.0362.739	196	113.0315.754	191	113.0358.273	149
112.0315.814	141	112.0362.740	264	113.0315.757	139	113.0358.274	149
112.0315.815	226	112.0362.751	264	113.0315.762	137	113.0358.277	149
112.0315.816	226	112.0362.752	264	113.0315.768	197	113.0358.278	150
112.0315.817	228	112.0362.753	264	113.0315.770	197	113.0358.279	150
112.0315.818	227	112.0362.754	264	113.0315.772	198	113.0358.280	150
112.0315.819	228	112.0362.755	265	113.0315.774	198	113.0358.281	150
112.0315.820	230	112.0362.756	265	113.0315.775	202	113.0358.282	151
112.0315.821	230	112.0362.757	265	113.0315.776	203	113.0358.283	151
112.0315.822	234	112.0362.927	221	113.0315.777	203	113.0358.284	151
112.0315.823	234	112.0362.929	19, 23, 33, 47, 133, 144, 155, 172	113.0315.778	203	113.0358.285	151
112.0315.824	233	112.0396.198	244	113.0315.781	78, 201	113.0358.286	153
112.0315.825	233	112.0396.211	136, 242	113.0315.782	78, 201	113.0358.287	153
112.0315.826	233	112.0396.216	244	113.0315.783	199	113.0358.288	153
112.0315.827	233	112.0396.218	175, 242	113.0315.784	200	113.0358.289	153
112.0315.828	233	112.0396.260	243	113.0315.785	199	113.0358.290	152
112.0315.829	233	113.0278.281	248	113.0315.786	200	113.0358.321	152
112.0315.830	233	113.0278.286	248	113.0315.787	204	113.0358.322	155
112.0315.831	233	113.0315.688	87	113.0315.788	204	113.0358.327	156
112.0315.832	235	113.0315.689	170	113.0315.790	206	113.0358.328	157
112.0315.833	235	113.0315.690	172	113.0315.792	206	113.0358.329	156
112.0315.834	235	113.0315.691	173	113.0315.795	207	113.0358.330	157
112.0315.835	235	113.0315.692	173	113.0315.796	208	113.0358.341	157
112.0315.836	236	113.0315.693	173	113.0315.797	208	113.0358.342	158
112.0315.837	236	113.0315.694	173	113.0315.798	208	113.0358.343	158
112.0315.838	236	113.0315.694	173	113.0315.799	209	113.0358.344	159
112.0315.839	236	113.0315.698	169	113.0315.800	209	113.0360.207	161
112.0315.840	237	113.0315.699	169	113.0315.801	210	113.0360.208	161
112.0315.841	237	113.0315.700	169	113.0315.802	211	113.0360.209	162
112.0315.842	237	113.0315.701	169	113.0315.803	210	113.0360.210	162
112.0315.843	237	113.0315.702	169	113.0315.804	211	113.0360.221	163
112.0315.844	237	113.0315.703	169	113.0315.805	211	113.0360.222	164
112.0315.845	237	113.0315.704	176	113.0315.806	212	113.0360.224	164
112.0315.846	248	113.0315.705	170	113.0315.807	211	113.0360.348	165
112.0315.847	248	113.0315.706	258	113.0315.808	212	113.0360.350	165
112.0315.848	248	113.0315.707	257	113.0315.809	213	113.0360.371	165
112.0315.849	248	113.0315.708	256	113.0315.810	213	113.0360.373	161
112.0315.850	247	113.0315.709	167	113.0315.811	213	113.0360.375	161
112.0315.851	247	113.0315.710	167	113.0315.812	215	113.0360.376	162
112.0315.852	251	113.0315.711	170	113.0315.813	215	113.0360.377	162
112.0315.853	251	113.0315.712	176	113.0315.816	217	113.0360.378	163
		113.0315.713	177	113.0315.817	217	113.0360.379	18, 143
		113.0315.714	176	113.0315.818	129	113.0360.380	18, 143

Article-No.	Page	Article-No.	Page	Article-No.	Page	Article-No.	Page
113.0360.381	142	115.0308.210	68	115.0315.651	117	119.0307.901	62, 93
113.0360.383	142	115.0308.211	67	115.0315.652	117	119.0307.908	47, 94
113.0360.384	142	115.0308.212	67	115.0315.653	120	119.0307.927	94
113.0360.385	142	115.0308.213	35	115.0315.654	121	119.0308.341	20, 95
113.0360.386	144	115.0308.214	35	115.0315.655	121	119.0308.343	47, 94
113.0360.388	147	115.0308.215	34	115.0315.656	64	119.0308.347	33, 93
113.0360.389	146	115.0308.216	34	115.0315.657	64	119.0308.348	62, 93
113.0360.390	146	115.0308.217	50	115.0315.658	63	119.0308.349	62, 93
113.0360.393	147	115.0308.218	52	115.0315.659	124	119.0308.350	69, 94
113.0360.394	146	115.0308.219	48	115.0315.660	124	119.0308.352	20, 95
113.0360.395	261	115.0308.220	51	115.0315.661	108	119.0310.326	66, 94
113.0360.396	260	115.0308.221	53	115.0315.662	111	119.0340.000	20, 95
113.0360.400	260	115.0308.222	49	115.0315.663	106	119.0340.011	20, 95
113.0360.404	260	115.0308.223	54, 188	115.0315.664	112	133.0308.367	269
113.0392.924	128	115.0308.224	54, 188	115.0315.665	101	133.0308.370	269
113.0392.926	128	115.0308.225	75	115.0315.666	86	133.0308.371	269
113.0392.927	128	115.0308.227	75	115.0315.667	86	133.0308.373	267
113.0392.928	128	115.0308.228	76	115.0315.668	101	133.0308.488	195
113.0396.195	136	115.0308.229	76	115.0315.669	101	133.0308.502	267
113.0396.212	174	115.0308.230	77	115.0315.670	114	133.0308.503	267
113.0396.214	174	115.0308.231	77	115.0315.671	125	133.0324.404	268
113.0396.241	216	115.0308.233	13	115.0315.672	123	133.0324.455	125
113.0396.242	216	115.0308.235	12	115.0315.673	123	133.0324.479	125
113.0396.244	135	115.0308.236	70	115.0315.674	124	133.0324.524	265
113.0396.245	145	115.0308.237	70	115.0315.675	124	133.0325.414	269
113.0396.255	145	115.0308.240	29	115.0315.676	103	133.0325.630	125
115.0043.798	84	115.0308.241	30	115.0315.677	88	133.0325.631	125
115.0043.799	85	115.0308.242	29	115.0315.678	88	133.0325.632	125
115.0200.123	29	115.0308.243	30	115.0315.679	89	133.0325.647	125
115.0200.124	30	115.0308.244	31	115.0315.680	89	133.0325.664	267
115.0307.869	58	115.0308.245	74	115.0315.681	91	133.0325.857	267
115.0307.892	56	115.0308.246	74	115.0315.682	92	133.0325.957	267
115.0307.893	56	115.0308.248	25	115.0315.683	92	133.0325.966	269
115.0307.894	58	115.0308.251	25	115.0315.684	90	133.0326.039	268
115.0307.902	28	115.0308.252	26	115.0315.685	90	133.0326.076	253
115.0307.903	28	115.0308.254	39	115.0315.686	90		
115.0307.905	43	115.0308.255	39	115.0315.687	90		
115.0307.911	12	115.0308.256	36	115.0315.688	115		
115.0307.913	13	115.0308.257	36	115.0315.689	115		
115.0307.925	24	115.0308.258	71	115.0315.690	116		
115.0307.926	24	115.0308.259	71	115.0315.691	116		
115.0308.169	38	115.0309.243	31	115.0315.692	115		
115.0308.170	41	115.0309.244	30	115.0315.693	115		
115.0308.172	70	115.0315.620	110	115.0315.694	118		
115.0308.174	73	115.0315.621	109	115.0315.695	116		
115.0308.175	70	115.0315.622	102	115.0315.696	117		
115.0308.177	38	115.0315.623	102	115.0315.697	63		
115.0308.178	46,171	115.0315.624	100	115.0315.698	64		
115.0308.179	46,171	115.0315.625	100	115.0315.699	123		
115.0308.180	59	115.0315.626	113	115.0315.700	123		
115.0308.181	57	115.0315.627	107	115.0315.701	85		
115.0308.182	59	115.0315.628	105	115.0315.702	84		
115.0308.183	57	115.0315.629	105	115.0315.703	65		
115.0308.184	37	115.0315.630	105	115.0315.704	27		
115.0308.185	42	115.0315.631	105	115.0315.705	27		
115.0308.190	37	115.0315.632	105	115.0315.706	80		
115.0308.191	42	115.0315.633	100	115.0315.707	79		
115.0308.192	42	115.0315.634	103	115.0315.708	80		
115.0308.193	41	115.0315.635	104	115.0315.709	79		
115.0308.194	40	115.0315.636	104	115.0334.256	72		
115.0308.195	44	115.0315.637	102	115.0334.257	72		
115.0308.196	40	115.0315.638	102	115.0340.013	15		
115.0308.197	45	115.0315.639	104	115.0340.014	17		
115.0308.198	37	115.0315.640	104	115.0340.019	14		
115.0308.199	37	115.0315.642	81	115.0340.020	16		
115.0308.200	29	115.0315.643	83	115.0358.208	72		
115.0308.203	60	115.0315.644	82	115.0358.209	72		
115.0308.204	61	115.0315.645	82	115.0358.255	21		
115.0308.205	32, 132	115.0315.646	83	115.0358.259	21		
115.0308.206	32, 132	115.0315.647	119	115.0393.145	10		
115.0308.207	43	115.0315.648	119	115.0393.163	11		
115.0308.208	41	115.0315.649	122	119.0200.126	33, 93		
115.0308.209	68	115.0315.650	122	119.0307.870	62, 93		

KWC-No.	Page	KWC-No.	Page	KWC-No.	Page	KWC-No.	Page
10.021.023.000FL	81	10.211.033.127FL	70	11.292.094.000LL	214	12.291.032.000FL	212
10.021.023.000LLFL	81	10.211.043.000FL	71	11.362.033.000	22, 154	12.291.041.000FL	210
10.021.033.000FL	82	10.211.053.000FL	71	11.362.034.000	22, 154	12.291.041.000LLFL	210
10.021.033.000LLFL	82	10.211.063.000FL	73	11.654.003.000	54, 188	12.291.042.000FL	211
10.025.023.000	83	10.215.023.000FL	72	11.654.004.000	54, 188	12.291.042.000LLFL	212
10.025.033.000	83	10.215.023.127FL	72	11.692.033.000	260	12.291.051.000FL	210
10.061.003.000FL	77	10.215.033.000FL	72	11.692.035.000	260	12.291.051.000LLFL	210
10.061.004.000FL	77	10.215.033.127FL	72	12.061.031.000FL	197	12.291.052.000FL	211
10.061.023.000FL	75	10.231.013.000FL	34	12.061.032.000FL	198	12.291.052.000LLFL	212
10.061.033.000FL	75	10.231.013.700FL	34	12.061.071.000FL	197	12.291.071.000FL	211
10.061.043.000FL	76	10.231.043.700FL	36	12.061.072.000FL	198	12.291.072.000FL	212
10.061.053.000FL	76	10.231.053.700FL	36	12.061.092.000FL	200	12.361.031.000FL	149
10.071.023.000FL	84	10.231.103.000FL	35	12.061.102.000FL	200	12.361.032.000FL	150
10.071.023.000LLFL	84	10.231.103.700FL	35	12.061.372.000FL	199	12.361.033.000FL	151
10.071.033.000FL	85	10.261.002.000FL	68	12.061.382.000FL	199	12.361.071.000FL	149
10.071.033.000LLFL	85	10.261.012.000FL	67	12.068.011.000FL	201	12.361.072.000FL	150
10.111.102.000FL	56	10.261.102.000FL	67	12.068.021.000FL	201	12.361.073.000FL	151
10.111.102.700FL	56	10.261.432.000FL	68	12.068.041.000FL	197	12.363.191.000FL	153
10.111.103.000FL	57	10.271.023.700FL	63	12.068.042.000FL	198	12.363.201.000FL	153
10.111.103.700FL	57	10.271.033.700FL	64	12.068.051.000FL	197	12.368.011.000FL	153
10.121.102.000FL	58	10.271.033.736FL	64	12.068.052.000FL	198	12.368.021.000FL	153
10.121.102.700FL	58	10.271.103.700FL	63	12.151.042.000FL	167	12.368.041.000FL	149
10.121.103.000FL	59	10.271.303.700FL	64	12.151.052.000FL	167	12.368.042.000FL	150
10.121.103.150FL	60	10.272.123.700FL	65	12.151.093.000FL	170	12.368.043.000FL	151
10.121.103.151FL	61	10.291.023.000FL	79	12.151.293.000FL	170	12.368.051.000FL	149
10.121.103.700FL	59	10.291.023.000LLFL	79	12.151.332.000FL	168	12.368.052.000FL	150
10.151.003.000FL	42	10.291.033.000FL	80	12.151.342.000FL	168	12.368.053.000FL	151
10.151.013.000FL	41	10.291.033.000LLFL	80	12.151.393.000FL	170	12.368.093.000FL	152
10.151.023.000FL	37	10.321.023.000FL	24	12.151.402.000FL	169	12.368.373.000FL	152
10.151.023.700FL	37	10.321.033.000FL	24	12.151.412.000FL	169	12.651.021.000FL	183
10.151.033.000FL	38	10.321.043.000FL	25	12.151.422.000FL	169	12.651.031.000FL	186
10.151.033.700FL	38	10.321.053.000FL	25	12.151.432.000FL	169	12.651.032.000FL	187
10.151.043.700FL	39	10.321.063.000FL	26	12.151.442.000FL	169	12.651.132.000FL	187
10.151.053.700FL	39	10.361.023.000FL	21	12.151.452.000FL	169	12.652.011.000FL	184
10.151.102.000FL	42	10.361.033.000FL	21	12.161.031.000FL	161	12.652.012.000FL	185
10.151.102.700FL	42	10.501.003.736	90	12.161.032.000FL	162	12.652.122.000FL	185
10.151.113.000FL	37	10.501.004.736	90	12.161.071.000FL	161	13.061.041.000FL	202
10.151.113.700FL	37	10.501.042.000	88	12.161.072.000FL	162	13.151.041.000FL	172
10.151.413.000FL	41	10.501.042.700	88	12.168.041.000FL	161	13.161.041.000FL	163
10.151.413.700FL	41	10.501.102.000	89	12.168.042.000FL	162	13.191.041.000FL	133
10.151.423.000FL	43	10.501.102.700	89	12.168.051.000FL	161	13.201.041.000FL	144
10.151.423.700FL	43	10.501.134.000	91	12.168.052.000FL	162	13.361.041.000FL	155
10.152.322.000FL	40	10.501.144.000	92	12.168.092.000FL	163	20.064.400.000	203
10.152.413.000FL	40	10.501.154.000	92	12.191.030.000FL	128	20.064.410.000	203
10.152.423.000FL	44	10.501.163.736	90	12.191.031.000FL	129	20.064.480.000	204
10.153.423.000FL	45	10.501.164.736	90	12.191.032.000FL	130	20.151.094.000	181
10.181.002.000FL	28	10.651.022.000FL	48	12.191.070.000FL	128	20.152.422.000	173
10.181.003.000FL	28	10.651.032.000FL	52	12.191.071.000FL	129	20.152.442.000	173
10.181.012.000FL	27	10.651.122.000FL	49	12.191.072.000FL	130	20.152.503.000	174
10.181.992.000FL	27	10.652.012.000FL	50	12.191.093.000FL	131	20.154.280.000	176
10.191.003.000FL	31	10.652.132.000FL	53	12.191.393.000FL	131	20.154.290.000	176
10.191.003.127FL	31	10.653.112.000FL	51	12.198.040.000FL	128	20.154.480.000	177
10.191.023.000FL	29	10.891.022.000FL	74	12.198.041.000FL	129	20.162.313.000	164
10.191.023.127FL	29	10.895.022.000	74	12.198.042.000FL	130	20.164.580.000	165
10.191.033.000FL	30	11.062.002.000	78, 201	12.198.050.000FL	128	20.164.590.000	165
10.191.033.127FL	30	11.062.003.000	78, 201	12.198.051.000FL	129	20.192.440.000	134
10.191.103.000FL	30	11.152.033.000	46, 171	12.198.052.000FL	130	20.192.503.000	135
10.191.103.127FL	30	11.152.034.000	46, 171	12.198.131.000FL	131	20.194.480.000	138
10.191.113.000FL	29	11.192.033.000	32, 132	12.198.141.000FL	131	20.194.580.000	137
10.191.113.127FL	29	11.192.034.000	32, 132	12.203.151.000FL	142	20.194.590.000	137
10.201.102.000FL	12	11.202.033.000	18, 143	12.203.161.000FL	142	20.202.503.000	145
10.201.102.106FL	14	11.202.034.000	18, 143	12.208.131.000FL	142	20.204.480.000	147
10.201.102.127FL	12	11.282.002.000	208	12.208.141.000FL	142	20.204.580.000	146
10.201.102.150FL	16	11.282.003.000	208	12.281.031.000FL	206	20.204.590.000	146
10.201.122.000FL	13	11.282.004.000	208	12.281.032.000FL	207	20.282.313.000	209
10.201.122.106FL	15	11.292.002.000	213	12.281.071.000FL	206	20.292.313.000	215
10.201.122.127FL	13	11.292.002.000LL	213	12.281.072.000FL	207	20.292.503.000	216
10.201.122.150FL	17	11.292.003.000	213	12.288.041.000FL	206	20.294.400.000	217
10.201.242.000FL	10	11.292.003.000LL	213	12.288.042.000FL	207	20.362.313.000	156
10.201.242.127FL	11	11.292.004.000	213	12.288.051.000FL	206	20.364.480.000	158
10.211.023.000FL	70	11.292.004.000LL	213	12.288.052.000FL	207	20.364.580.000	157
10.211.023.127FL	70	11.292.092.000LL	214	12.290.600.000	222	20.364.590.000	157
10.211.033.000FL	70	11.292.093.000LL	214	12.291.031.000FL	211	20.657.023.000	189

KWC-No.	Page	KWC-No.	Page	KWC-No.	Page	KWC-No.	Page
20.657.120.000	190	26.000.213.000	233	K.12.JB.52M000B23	256	Z.536.114	221
20.657.234.000	191	26.000.220.000	234	K.12.QB.51M000B23	258	Z.536.159.000	33, 93
21.064.400.000	203	26.000.221.000	234	K.24.40.00.000C35	125	Z.536.159.127	33, 93
21.064.480.000	204	26.000.502.000	248	K.24.40.60.000C34	108	Z.536.178	181
21.152.030.000	173	26.000.503.000	248	K.24.40.70.000C34	111	Z.536.332.000	69, 94
21.152.330.000	173	26.000.504.000	248	K.24.41.04.000C07	100	Z.536.351.000	55, 195
21.152.500.000	174	26.000.505.000	248	K.24.41.06.000C07	100	Z.536.352	195
21.154.240.000	179	26.000.610.000	251	K.24.41.20.000C07	101	Z.536.405	196
21.154.280.000	176	26.000.611.000	251	K.24.41.21.000C07	101	Z.536.446.033	269
21.154.480.000	177	26.000.612.000	251	K.24.41.24.000C02	100	Z.536.448	264
21.162.330.000	164	26.000.613.000	251	K.24.41.32.000C07	102	Z.536.530.145	125
21.164.580.000	165	26.000.614.000	252	K.24.41.34.000C07	102	Z.536.576.000	96, 222
21.192.330.000	134	26.000.620.000	247	K.24.41.60.000C06	106	Z.536.586.000	20, 95
21.192.500.000	136	26.000.621.000	247	K.24.41.61.000C06	107	Z.536.586.106	20, 95
21.192.950.000	135	26.000.622.000	247	K.24.41.A2.000C07	101	Z.536.586.127	20, 95
21.194.480.000	138	26.000.623.000	247	K.24.42.11.000C86	103	Z.536.586.150	20, 95
21.194.580.000	137	26.000.800.000	235	K.24.42.17.000C86	104	Z.536.828	19, 23, 33, 47, 133, 144, 155, 172
21.194.600.000	139	26.000.801.000	235	K.24.42.19.000C86	104	Z.600.774	265
21.202.500.000	145	26.000.802.000	235	K.24.42.21.000C86	102	Z.604.451.000	265
21.204.480.000	147	26.000.803.000	235	K.24.42.22.000C74	103	Z.604.638.901	265
21.204.580.000	146	26.000.810.000	236	K.24.42.24.000C86	102	Z.634.729	266
21.282.310.000	209	26.000.811.000	236	K.24.42.41.000C74	104	Z.634.819	267
21.292.310.000	215	26.000.812.000	236	K.24.42.42.000C74	104	Z.635.075	265
21.292.500.000	216	26.000.813.000	236	K.24.42.61.000C71	114	Z.635.215	266
21.294.400.000	217	26.000.820.000	237	K.24.42.62.000C71	112	Z.635.231	266
21.362.330.000	156	26.000.821.000	237	K.24.42.64.000C71	113	Z.635.392	264
21.364.480.000	158	26.000.822.000	237	K.24.42.70.000C78	109	Z.635.966	266
21.364.580.000	157	26.000.823.000	237	K.24.42.74.000C78	110	Z.636.126.700	264
21.364.600.000	159	26.000.824.000	237	K.24.42.E1.000C35	105	Z.636.127.700	264
21.654.010.000	192	26.000.825.000	237	K.24.42.E2.000C35	105	Z.636.183	52, 53, 55, 186, 187, 191, 192, 193, 194, 196
21.654.020.000	193	26.000.900.000	223	K.24.42.K1.000C34	105	Z.636.254	266
21.654.030.000	194	26.000.910.000	223	K.24.42.K3.000C34	105	Z.636.508	266
21.692.050.000	261	26.001.004.000	253	K.24.42.K5.000C34	105	Z.636.707.700	264
21.692.100.000	260	26.001.012.000	253	K.24.62.14.000B91	123		
24.501.044.000	115	26.001.014.000	253	K.24.62.16.000B91	123		
24.501.046.000	115	26.001.019.000	253	K.24.62.44.000B87	124		
24.501.054.000	116	26.001.025.000	223	K.24.62.46.000B87	124		
24.501.056.000	116	26.003.101.000	250	K.25.40.14.000C35	124		
24.501.064.000	115	26.003.102.000	250	K.25.40.16.000C35	124		
24.501.066.000	115	26.003.201.000	249	K.26.99.01.000	248		
24.501.103.000LLFL	123	26.003.202.000	249	K.26.99.02.000	248		
24.501.104.000LLFL	123	26.003.301.000	249	K.26.99.05.000	248		
24.501.130.000	118	26.003.302.000	249	K.26.99.06.000	248		
24.501.144.000	119	26.004.001.000	246	K.28.J6.10.102	259		
24.501.146.000	119	26.004.002.000	246	K.28.J6.20.102	259		
24.502.164.000	122	26.004.003.000	246	K.32.40.01.931	269		
24.502.166.000	122	26.004.004.000	246	K.32.40.10.931	269		
24.502.194.000	117	26.004.100.000	245	K.32.44.00.931	269		
24.502.196.000	117	26.004.110.000	245	K.32.60.00	267		
24.503.114.000	120	26.006.213.000	243	K.32.60.01	268		
24.503.124.000	121	26.151.073.000	182, 195	K.38.93.00.931.34	141, 160, 180		
24.503.126.000	121	26.155.540.000	244	K.38.H3.70.931A35	141, 160, 180		
24.503.174.000	116	26.156.213.000	175, 242	Z.501.297	269		
24.503.184.000	117	26.191.073.000	140	Z.502.844.700	125		
25.001.011.000	219	26.195.540.000	244	Z.502.845.700	125		
26.000.110.040	226	26.196.213.000	136, 242	Z.502.846.700	125		
26.000.111.040	226	26.201.073.000	148	Z.502.868.700	125		
26.000.111.045	227	27.150.050.000	160, 180	Z.502.869.700	125		
26.000.112.040	227	27.190.050.000	141	Z.531.396	265		
26.000.112.041	228	39.000.510.931	196	Z.534.836	267		
26.000.112.042	228	39.004.500.931	54, 55, 188, 196	Z.535.362	267		
26.000.112.043	229	39.151.400.931	46, 171	Z.535.645	267		
26.000.112.045	229	39.152.320.000	179	Z.535.647	268		
26.000.113.000	231	39.193.400.931	18, 32, 132, 143	Z.536.028	264		
26.000.120.000	230	39.321.400.931	22, 154	Z.536.032	267		
26.000.121.000	230	39.990.010.931	141, 160, 180	Z.536.060.000	47, 94		
26.000.200.000	233	39.990.011.931	141, 160, 180	Z.536.060.700	47, 94		
26.000.201.000	233	39.999.300.931	139, 148, 159, 166, 178, 205, 218, 220	Z.536.062.700	66, 94		
26.000.202.000	233			Z.536.063.000	62, 93		
26.000.203.000	233	K.10.41.03.000A03	86	Z.536.063.150	62, 93		
26.000.210.000	233	K.10.41.23.000A02	86	Z.536.063.151	62, 93		
26.000.211.000	233	K.11.42.42.000A76	87	Z.536.063.700	62, 93		
26.000.212.000	233	K.12.JB.52.000B23	257	Z.536.109.000	94		





**Information**

Color differences on stainless steel surfaces on different parts of a Franke Water Systems AG, KWC faucet made out of stainless steel, cannot totally be excluded. Different factors may lead to a slight color differentiation.

1. Already a slight difference in material composition may cause stainless steel to reflect light differently (more blue or yellow reflections). These differences in steel compositions still fulfill DIN valid material standards. They may occur within one lot of a steel production unit.
2. Different cooling or production treatment parameters may also cause color surface differentiation.
3. Different surface consistency caused by the production process may as well lead to a different light reflection, so that other colors appear.

Our aim is not to have another surface process to guarantee a 100 % stainless steel color consistency. Beside the unique KWC faucet design we would like to keep a puristic surface finish of natural stainless steel in match with our design philosophy.

By keeping production tolerances at a narrow level, we try to keep slight stainless steel surface color differentiation as little as possible. But we cannot exclude them totally. As with upper class wooden furniture, where a slight color differentiation is accepted as well on the surface, it has to be accepted that high quality faucets made by our standards may have slight color differences on their surfaces.

**Operating Data**

Minimal operating pressure	1 bar (15 PSI)
Ideal operating pressure	3 bar (45 PSI)
Maximal operating pressure	5 bar (70 PSI)
Equal pressures are recommended	
Maximal hotwater temperature	70°C (180°F)

**Attention:**

Before installation, flush pipes thoroughly!

For further information refer to our detailed sales literature.

Damages on the faucet resulting from incorrect handling are excluded from the manufacturers warranty!

## General conditions

All our quotations, sales and deliveries shall be subject to the following conditions exclusively, even if the customer expressly specifies otherwise. With the acceptance of our confirmation of order or the delivery of our goods, the customer declares his acceptance of our terms and conditions. Silence on our part as regards the customer's terms and conditions shall not constitute any acknowledgement of, or consent to, the customer's terms and conditions under any circumstances. All quotations are without obligation. Supplementary agreements and any other informal commitments need to be confirmed in writing by our Head Office in every case. None of the information contained in our catalogues is binding. This also applies to illustrations, weights, measurements and performance data. We reserve the right to alter specifications without notice.

### 1. Prices and sales tax

The prices and conditions which will apply are those in effect at the date of delivery. The quoted prices for our product range are EX WORKS, incl. packaging, not insured unless otherwise expressly and separately agreed. At the time valid Incoterms shall apply. All prices shall be exclusive of Value Added Tax, which is shown separately in our invoices.

In the case of inter-company deliveries, the purchaser shall give us an undertaking that the goods are being procured for his own company and are subject to the tax regulations applicable in his country. Prices are subject to change without notice.

### 2. Delivery and acceptance

Quoted delivery periods are approximations. If circumstances arise for which we are not responsible, e.g. a delay occasioned by delivery problems on the part of our subcontractors, the delivery period shall be extended accordingly.

The delivery period shall also be appropriately extended in the event of industrial action, particularly strikes and lockouts. In the event of a resultant delay in delivery on our part, the customer shall not be entitled to any claims or cancellation of the transaction.

### 3. Right of the supplier to withdraw

In the event of a serious deterioration in the customer's business, particularly financial circumstances, stoppage of payments, winding-up or transfer of the business or his death or similar, or if the customer pledges stock, receivables or the purchased goods, or orders them as a security for other creditors, the supplier shall be entitled to demand security and to rescind his obligation to supply if the security is inadequate, and to demand compensation on grounds of nonfulfilment. In the event that we are prevented from manufacturing the ordered goods due to circumstances for which we are not to blame, we reserve the right to withdraw from the contract, wholly or partially, without the client being thereby entitled to make any claim whatsoever for compensation, subsequent delivery or withdrawal from the contract.

### 4. Packing, transport, carriage charges, small order supplement and transfer of risk

We reserve the right to choose the type of packaging used. Cardboard, paper and plastic packaging will not be taken back but must be disposed of by the receiver of the goods. Pallets, wire-mesh box pallets and other usable containers may be returned to us, carriage paid, within three months. Deliveries by post and express services will be charged at cost. If a carriage paid delivery is agreed, the supplier shall be entitled to choose the method of transport employed. For consignments to third parties, an adequate supplement of a percentage of the value of the goods will be charged.

All risks shall be transferred to the customer when the goods leave our factory/depot or are made available to the customer at our factory/depot.

### 5. Terms of payment

Our invoices are payable within 30 days net in Swiss Francs or Euro after receipt of invoice unless otherwise expressly and separately agreed. In the event of delays in payment, the customer shall without further reminder be liable to pay to Franke Water Systems AG, KWC default interest at a rate of 2% above the relevant discount rate of the National Bank of Switzerland. As long as older invoices remain unpaid, no entitlement to discount shall exist on the payment of new invoices. Bills of exchange shall not be accepted. If payment is made by cheque or other form of documentary remittance, the charges therefore shall be borne by the customer. If the customer is late in making a payment or his financial situation deteriorates markedly after the conclusion of the contract, all debts shall immediately become due for settlement. The customer may only offset these with uncontested or legally established counter-claims. The punctuality of payments, or otherwise, is determined by the date on which the funds are received by us.

### 6. Retention of title

We shall retain title to the goods supplied until all the debts due to us and incurred as a result of the business relationship have been settled in full, irrespective of the legal justification therefore. As far as such retention of title has to be recorded in public registers, the customer undertakes to issue all statements legally due for this purpose upon the supplier's first request. The customer shall be entitled to process our products or to use them with other products within the scope of his regular business operations. As a surety against our aforesaid entitlements, we shall acquire co-ownership of the objects resulting from the processing or combined use of our products, the said co-ownership being assigned to us by the customer coincidentally with the acceptance of these Conditions of Sale. The customer shall be required to keep the objects subject to our co-ownership at no charge to us. The amount of our share of co-ownership shall be determined in accordance with the value of our product relative to the value of the object resulting from its processing or combined use by the customer.

We grant our customers the right of resale in the normal course of business, subject to revocation. The said right shall be withdrawn in the event of a suspension of payments. With the acceptance of these Conditions of Sale, the customer shall assign to us all the debts and additional rights accruing to him from the resale. The assigned debts shall serve as a security for all our claims. The customer shall be entitled to collect the assigned debts, provided we have not revoked this authorisation. The authorisation to collect debts shall be withdrawn, even without any express revocation, if the customer suspends his own payments. If we so request, the customer shall inform us in writing and without delay as to whom he has resold the goods and the debts due to him as a result of the resale, and furnish us with certified documents of transfer of the debts at his expense. The customer shall not be entitled to any other provisions in respect of the objects to which we retain title or of which we hold co-ownership, or in respect of any debts assigned to us. The customer shall notify us without delay of any attachments or other legal impairments relating to objects belonging to us, either wholly or partially.

We shall be entitled at any time to call for the return of goods belonging to us if the customer falls into arrears on a payment or if his financial situation deteriorates to a marked extent. If we enforce this right, withdrawal from the contract shall only arise if we expressly declare the same, irrespective of any other mandatory official regulations. If the value of the securities assigned to us exceeds our receivables and entitlements to redemption by more than 20%, we shall, at the customer's request, release securities to an amount to be decided by us. Samples and drawings shall remain our property, even if the customer bears the costs, or a proportion of the costs, thereof.



**7. Returns**

Goods may not be returned without our prior consent. Failing this, returned goods shall not be accepted. In the case of returns, we shall be entitled to levy a processing charge according to our goodwill procedure. The costs of any reconditioning required shall be invoiced separately. If goods which have been delivered carriage paid are subsequently returned by the customer, the costs of the initial delivery shall be deducted from the credit note.

**8. Warranty and Liability**

We guarantee the perfect, functioning of our products provided they are installed correctly and in accordance with their intended purpose. In the event of proven defects in material or workmanship we shall provide full replacement of materials. We shall not be liable for any further damage, particularly as a result of improper handling, overloading or natural wear and tear. This shall apply in particular to surface damage caused by the use of incorrectly used, abrasive or aggressive cleaning agents. Our warranty and liability in respect of materials not manufactured by us shall be restricted to the warranty and liability provided for in the conditions of sale or our subcontracted suppliers.

The warranty period shall be 2 years from the date of invoice of the defective fitting. If we manufacture goods to a customer's specification, he shall be wholly responsible for ensuring that no patents or other third party rights are infringed. Any complaints concerning the weight, quantity or quality of the goods shall be notified in writing immediately after their discovery and, in any case, one week at the latest after receipt of the consignment. If the complaint proves to be justified, a replacement consignment shall be delivered free of charge and carriage paid to the original destination; in the event of quality defects, however, this shall only apply if the faulty parts are returned. Any further claims for replacements or abatement or compensation for indirect and/or direct damages shall be excluded, unless we are unable to effect a re-delivery or are guilty of gross negligence. The goods must still be in the condition in which they were delivered. For goods which have been used, the warranty terms agreed by us with suissetec (Schweizerisch-, Lichtensteinischer Gebäudetechnikverband) shall apply.

**9. Place of fulfilment, court of jurisdiction, obligations imposed by contracts**

The place of fulfilment for all the obligations arising from the contract is the place in which the supplier's premises are located. The court of jurisdiction for both parties is the supplier's domicile.

The contractual relationship is subject to the material laws of Switzerland. Should any provision of the contract be or become partly or entirely invalid, the validity of the remaining provisions of the contract shall not be affected. The invalid provisions are replaced by a valid rule, which attains the parties economic intent and purpose with regard to the invalid provision. The same shall apply in the event of any gaps of the contract. The Swiss original of the "Conditions of Sale and Delivery" is authoritative.





The products and prices listed in this catalogue are correct as of 1.1.2016. Adaptations to technology and design may occur at any time. The suitability of the faucets must be checked for each individual project. The specifications and installation and service instructions provided by Franke Water Systems AG, KWC, are definitive for planning and technical implementation. The relevant information can be ordered directly from KWC or obtained at [www.kwc.com](http://www.kwc.com).



