



KWC

KWC Home

Catalog
2024

Innovations in the bathroom and kitchen

Bathroom



KWC HOMEBOX
Page 239



KWC ONO E
Page 172



KWC VITA PRO 2.0
Page 186



KWC VITA 2.0
Page 183

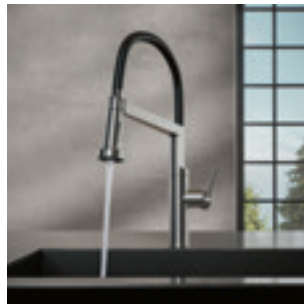
Kitchen



KWC FIT
Page 34



KWC VITA PRO 2.0
Page 93



KWC BISTRO E
Page 15



KWC GASTRO E
Page 63

Faucets for the kitchen 7

KWC AVA 2.0	8
KWC BEVO E NEW	12
KWC BISTRO E NEW	15
KWC DOMO 6.0	19
KWC DOMO E	24
KWC ERA	26
KWC EVE	30
KWC FIT NEW	34
KWC GASTRO	36
KWC GASTRO E NEW	63
KWC INOX	66
KWC ISLA	69
KWC KIO	70
KWC LIVELLO	73
KWC LUNA E	75
KWC ONO	80
KWC SIN	86
KWC SUNO	89
KWC VITA PRO 2.0	93
KWC WAMAS 2.0	95
KWC ZOE	96
KWC ZOE touch light PRO	99

Faucets for the bathroom 103

KWC ACTIVO UP DATE	104
KWC AVA 2.0 UP DATE	109
KWC AVA E UP DATE	121
KWC BEVO UP DATE	127
KWC DOMO 6.0 UP DATE	140
KWC ELLA UP DATE	150
KWC FIT UP DATE	160
KWC MONTA UP DATE	166
KWC ONO E NEW	172
KWC ORA	184
KWC PILLAR TAP	190
KWC VITA 2.0 NEW	191
KWC VITA PRO 2.0 NEW	194
KWC WAMAS 2.0 UP DATE	200
KWC ZOE	208

ShowerCulture 215

Shower arms	216
Shower brackets UP DATE	219
Shower hoses	220
Shower systems UP DATE	221
Sliding wall bars	226
Hand showers	228
Shower heads	231
Hose connections	233
Thermostatic mixers UP DATE	235

Automatic faucets 245

IQUA	246
ONO E NEW	250

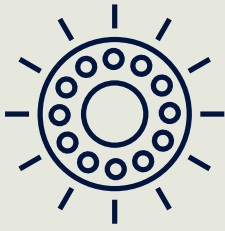
Accessories 255

Pop-up valve Push Open UP DATE	256
Shut-off valve UP DATE	258
Soap dispensers	260
Siphons	263
Concealed units NEW	264
Bath spouts	271

Spare parts 275

Tools	276
Spare parts	282
Index	286
Information & General conditions	292

Hygiene



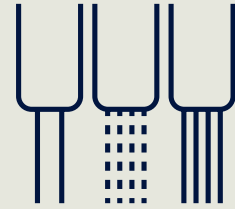
LEDShine

Visible precision and a bright, friendly workspace: LEDShine does more than just contribute to a special working atmosphere – this innovative feature makes it easier to see the tiniest specks of dirt and makes it possible to use the faucet without turning on a light.



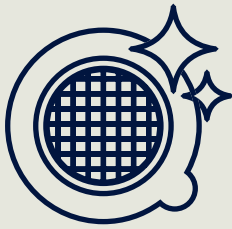
HealthProtect

Better hygiene and unchanged water quality: HealthProtect highlights the strict standards we set ourselves to ensure that our faucets do not affect the taste and smell of your water – that is why we use high-quality materials (metals, plastics) that are ideally suited for contact with water.



TripleClean

Three water streams for more flexibility: TripleClean allows you to change between a normal stream for filling glasses, a soft spray for gently cleaning food, and a power spray for prerinsing and removing dirt from dishes.



SprayClean

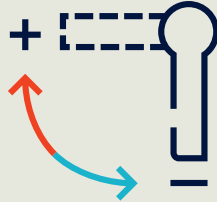
Actively helps with the removal of limescale: With a special faceplate and fastening mechanism, SprayClean prevents limescale buildup. Any deposits are sprayed away automatically when the water is running. The special fastening mechanism helps with more stubborn lime deposits: simply turn, clean, and the job is done.

Sustainability



EcoProtect

For economical water consumption and responsible use of resources: EcoProtect represents our commitment to promoting a sustainable lifestyle.



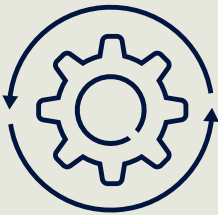
CoolFix

Intelligent and efficient resource usage: With CoolFix, when the lever is in the center – the most common position – the water runs cold. Only when the lever is turned to the left, the water runs warm.



GlacierFinish

Robust surfaces and high-quality craftsmanship: GlacierFinish is equipped with durable surfaces that are exceptionally robust and feature an attractive polished shine that you can enjoy for years to come.



PrecisionMove

Exceptional elegance and precision: PrecisionMove allows for seamless movements and exceptional convenience thanks to our consistent use of top-quality materials and superior craftsmanship.



QualityControl

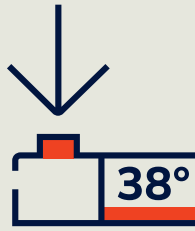
Exceptional quality from A to Z: with KWC QualityControl, we guarantee the utmost product reliability. KWC performs and continuously monitors all stages of the process: development, production, installation, and even the manufacture of the required tools.

Safety



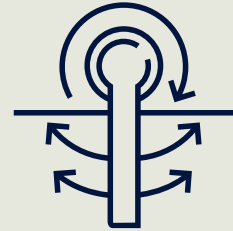
TouchProtect

Safe to use: An insulated hot water guidance system with a “double skin” principle means the body of the faucet or the pull-out spray can become warm but never hot. In this way, TouchProtect intelligently prevents scalding.



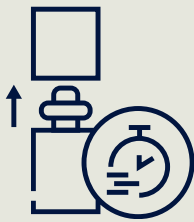
SkinProtect

Effective protection against scalding: With SkinProtect, your faucet will only supply you with water hotter than 38 °C when you press the safety button on the temperature controller. If the cold water is shut off, the faucet automatically shuts off the hot water immediately.



SwivelStop

Stop the faucet from moving too far and prevent water damage: SwivelStop allows the swivel range to be adjusted from 360° to 120° or 150° in just a few steps, ensuring that the water only flows into the sink.



QuickConnect

Easy installation and more safety in the kitchen: with QuickConnect, there is no need to screw on the spray head hose, which means there is also no risk of damaging the seal and causing water damage.



CertificationGuarantee

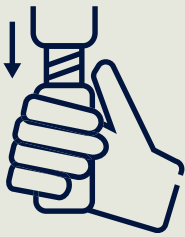
Trust is good, certifications are better: our KWC CertificationGuarantee ensures that we have all of our products professionally inspected and certified across all markets



SprayLock

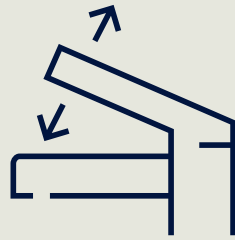
Adjust the flow: With SprayLock, you can keep the jet of water from your faucet flowing exactly how you want, even when the water is shut off. When you turn the water back on, the water flows in the same way again.

Enthusiasm



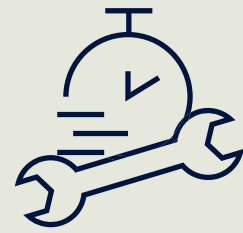
DesignSpray

Elegant design and functionality: With DesignSpray, the pull-out spray is seamlessly integrated and recessed. It can be easily extended with just one finger.



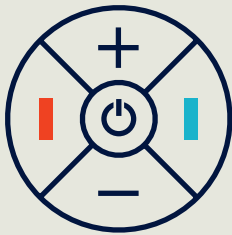
UniqueLever

Innovative lever designs that allow for natural and intuitive use: UniqueLever features innovative KWC design – elegance and precision that you can not only see, but also feel every day.



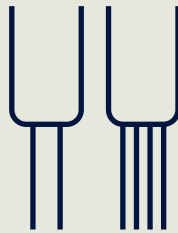
QuickInstallation

Hassle-free positioning and fastening of the threaded connection for quick and easy installation: the locking nut is screwed into place by hand to hold the faucet in position using Quick-Installation, before it is fixed in place via the two locking screws.



IntelligentControl

Intuitive control meets modern convenience: IntelligentControl reacts to a tap of your finger, can be programmed based on your personal habits and requirements, and has a light ring that indicates the current water temperature.



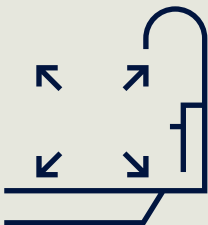
PowerClean

The spray you want at the touch of a button: PowerClean makes it exceedingly easy to switch the flow of water on the spray head – from a standard spray to a fine needle spray.



TwistProtect

Effortless work around the sink: TwistProtect prevents the hose from twisting or knotting.



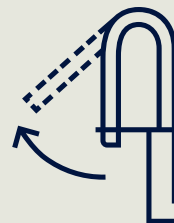
OptimalSpace

Practical yet elegant ergonomic design: OptimalSpace features long, tall spouts that provide ample space for washing and or working.



EasyLock

A spray that is easy to use and automatically snaps into place: EasyLock is equipped with special positioning pins that ensure that the pull-out spray is always in the right position.



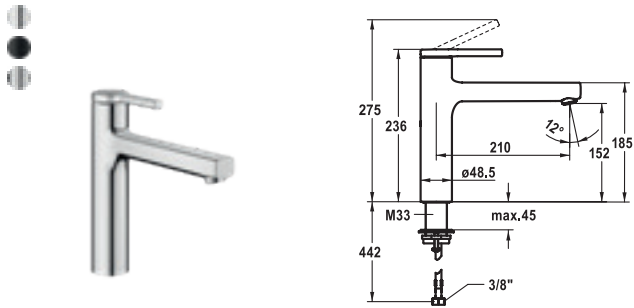
HighFlex

Increased freedom of movement and ease of use: HighFlex makes it possible to move the spring hose in every direction while ensuring it remains reliably stable when not in use.



Faucets for the kitchen

KWC AVA 2.0	8
KWC BEVO E	12
KWC BISTRO E	15
KWC DOMO 6.0	19
KWC DOMO E	24
KWC ERA	26
KWC EVE	30
KWC FIT	34
KWC GASTRO	36
KWC GASTRO E	63
KWC INOX	66
KWC ISLA	69
KWC KIO	70
KWC LIVELLO	73
KWC LUNA E	75
KWC ONO	80
KWC SIN	86
KWC SUNO	89
KWC VITA PRO 2.0	93
KWC WAMAS 2.0	95
KWC ZOE	96
KWC ZOE touch light PRO	99

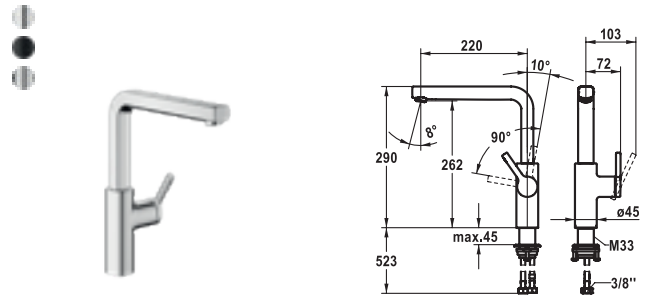


SAP Number	Article Number
chromeline, A 210, flexible connection hoses 3/8"	
125361	10.461.022.000FL
matt black, A 210, flexible connection hoses 3/8"	
125362	10.461.022.176FL
brushed steel, A 210, flexible connection hoses 3/8"	
125363	10.461.022.177FL

AVA 2.0 Lever mixer - Kitchen

- Swivel spout 150°
 - Neoperl® Cascade® SLC
- KWC cartridge M 35 S
 - with ceramic discs
 - flow rate and temperature continuously variable
 - temperature limitation
- QuickInstallation
 - Fastening via threaded connection with locking screws
- Mounting hole size ø35 mm

Flow rate 11 l/min (3bar)
Acoustic group I

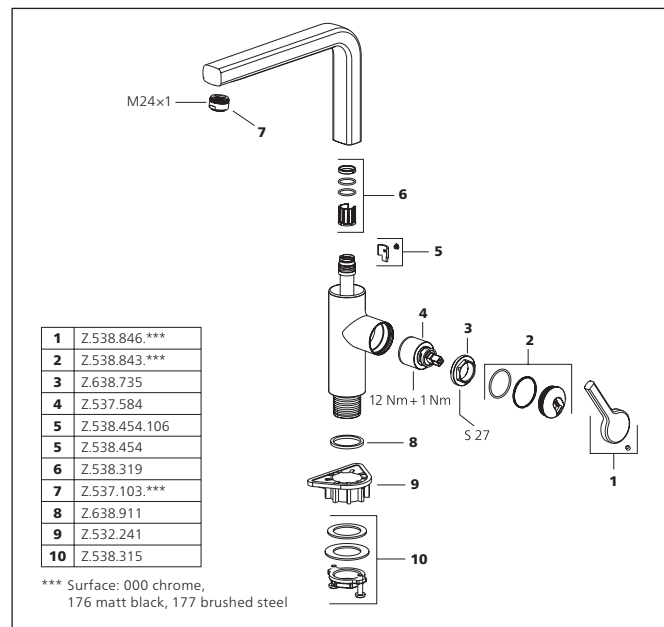
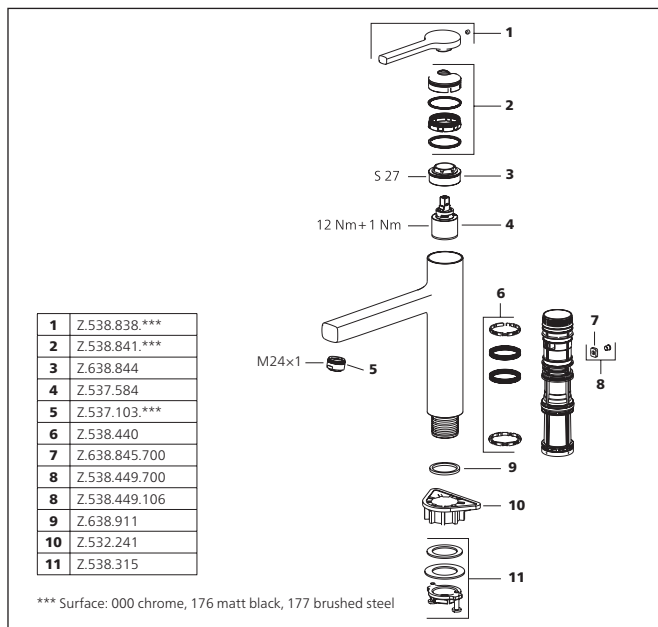


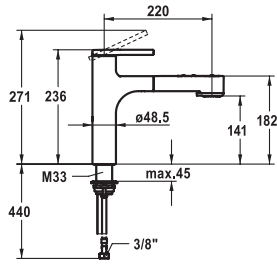
SAP Number	Article Number
chromeline, A 220, flexible connection hoses 3/8"	
125370	10.461.012.000FL
matt black, A 220, flexible connection hoses 3/8"	
125371	10.461.012.176FL
brushed steel, A 220, flexible connection hoses 3/8"	
125372	10.461.012.177FL

AVA 2.0 Lever mixer - Kitchen

- Lever installation only possible on the right side
 - Child safety: cold water flow in lever position towards the front
 - gap between wall and centre of mounting hole min. 20 mm
- SwivelStop - swivel spout 150° , extensible to 360°
 - Neoperl® Cascade® SLC
- OptimalSpace - ample space for washing or working
- KWC cartridge M 35 S
 - with ceramic discs
 - flow rate and temperature continuously variable
 - temperature limitation
- QuickInstallation
 - Fastening via threaded connection with locking screws
- Mounting hole size ø35 mm
- To be ordered separately (optional or if necessary):
 - Swivel range limited to 120°, Z.538.320

Flow rate 12 l/min (3bar)
Acoustic group I





SAP Number	Article Number
chromeline, A 220, flexible connection hoses 3/8"	
125364	10.461.032.000FL
matt black, A 220, flexible connection hoses 3/8"	
125365	10.461.032.176FL
brushed steel, A 220, flexible connection hoses 3/8"	
125366	10.461.032.177FL

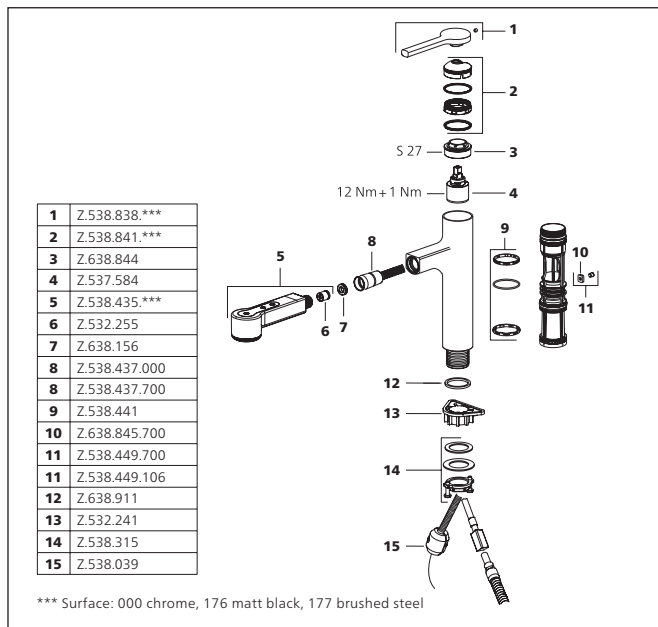
AVA 2.0 Lever mixer - Kitchen

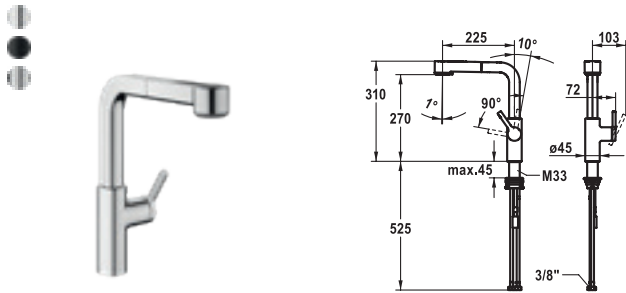
- TouchProtect
 - anti-scald protection thanks to the "double skin" principle
- Intrinsically safe against backflow
- Pull-out spray
 - SprayClean
 - easy to clean and actively prevents limescale buildup
 - up to 600 mm pull-out length
 - TripleClean - Normal, soft, and power stream modes
 - hose surface to fit faucet surface
 - QuickConnect - Simple hose connection system

- Hose guide, swivelling 120°
- EasyLock
 - a pull-out spray that easily slides back into place
- KWC cartridge M 35 S
 - with ceramic discs
 - flow rate and temperature continuously variable
 - temperature limitation
- QuickInstallation
 - Fastening via threaded connection with locking screws
- Mounting hole size ø35 mm

Flow rate normal spray 8 l/min (3 bar)
 Flow rate needle spray 9 l/min (3 bar)
 Acoustic group I

Faucets for the kitchen





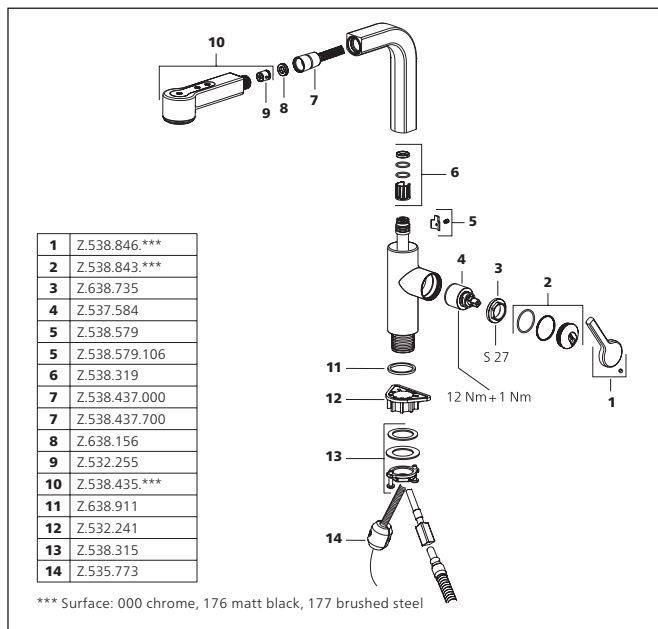
SAP Number	Article Number
chromeline, A 225, flexible connection hoses 3/8"	
125373	10.461.002.000FL
matt black, A 225, flexible connection hoses 3/8"	
125374	10.461.002.176FL
brushed steel, A 225, flexible connection hoses 3/8"	
125375	10.461.002.177FL

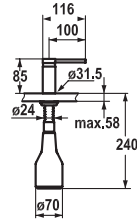
AVA 2.0 Lever Mixer - kitchen

- Lever installation only possible on the right side
 - Child safety: cold water flow in lever position towards the front
- gap between wall and centre of mounting hole min. 20 mm
- TouchProtect
 - anti-scald protection thanks to the "double skin" principle
- Intrinsically safe against backflow
- Pull-out spray
 - SprayClean
 - easy to clean and actively prevents limescale buildup
 - up to 600 mm pull-out length
 - TripleClean - Normal, soft, and power stream modes
 - hose surface to fit faucet surface
 - QuickConnect - Simple hose connection system

- Hose guide, swivelling 150°
- EasyLock - a pull-out spray that easily slides back into place
- OptimalSpace - ample space for washing or working
- KWC cartridge M 35 S
 - with ceramic discs
 - flow rate and temperature continuously variable
 - temperature limitation
- QuickInstallation
 - Fastening via threaded connection with locking screws
- Mounting hole size ø35 mm
- To be ordered separately (optional or if necessary):
 - Swivel range limited to 120°, Z.538.320

Flow rate normal spray 8 l/min (3 bar)
 Flow rate needle spray 9 l/min (3 bar)
 Acoustic group I

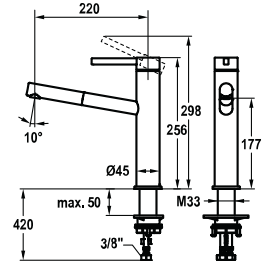
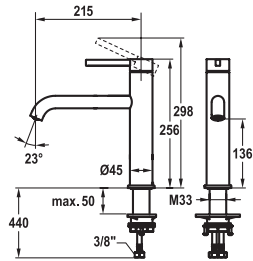




SAP Number	Article Number
chromeline 536159	Z.536.159.000
decor steel 536177	Z.536.159.127
matt black 538981	Z.536.159.176

AVA Soap dispenser

- Soap dispenser KWC AVA
- Easily refillable from top without disassembly
- Mounting hole size $\varnothing 26$ mm
- Scope of delivery:
 - Pump
 - Soap container, filling capacity 350 ml Z.635.713



SAP Number	Article Number
stainless steel, A 215, flexible connection hoses 3/8"	
125343	10.531.022.700FL
industrial black, A 215, flexible connection hoses 3/8"	
125589	10.531.022.751FL

SAP Number	Article Number
stainless steel, A 220, flexible connection hoses 3/8"	
125344	10.531.112.700FL
industrial black, A 220, flexible connection hoses 3/8"	
125590	10.531.112.751FL

BEVO E Lever mixer - Kitchen

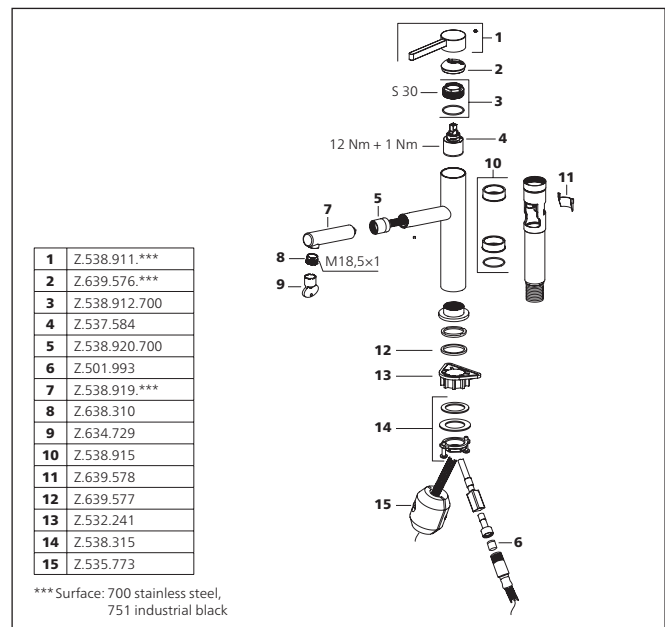
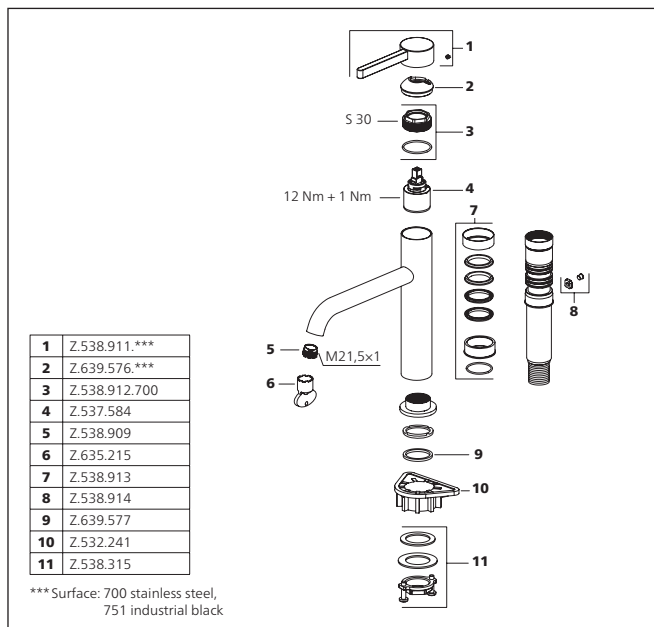
- Lever mixer
- Swivel spout 150°
 - Neoperl® Caché® laminar
- KWC cartridge M 35 S
 - with ceramic discs
 - flow rate and temperature continuously variable
- QuickInstallation
 - Fastening via threaded connection with locking screws
- Mounting hole size ø35 mm

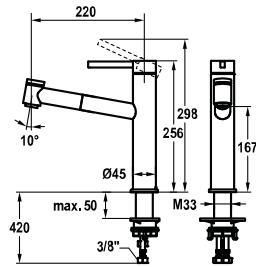
Spray: Flow rate 10.3 l/min (3 bar)
Acoustic group I

BEVO E Lever mixer - Kitchen

- Lever mixer
- TouchProtect
 - anti-scald protection thanks to the "double skin" principle
- Pull-out aerator
 - Neoperl® Caché®
 - up to 700 mm pull-out length
 - QuickConnect - Simple hose connection system
- Hose guide, swivelling 120°
- EasyLock - a pull-out spray that easily slides back into place
- KWC cartridge M 35 S
 - with ceramic discs
 - flow rate and temperature continuously variable
- QuickInstallation
 - Fastening via threaded connection with locking screws
- Mounting hole size ø35 mm

Spray: Flow rate 5.4 l/min (3 bar)
Acoustic group I



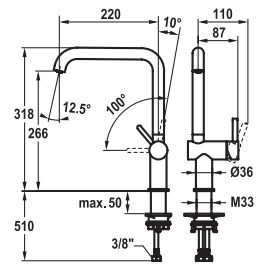


SAP Number	Article Number
stainless steel, A 220, flexible connection hoses 3/8"	
125345	10.531.032.700FL
industrial black, A 220, flexible connection hoses 3/8"	
125591	10.531.032.751FL

BEVO E Lever mixer - Kitchen

- Lever mixer
- TouchProtect
 - anti-scald protection thanks to the "double skin" principle
- Pull-out spray
 - SprayClean
 - easy to clean and actively prevents limescale buildup
 - up to 700 mm pull-out length
 - PowerClean - needle spray mode, with automatic diverter reset
 - QuickConnect - Simple hose connection system
- Hose guide, swivelling 120°
- EasyLock - a pull-out spray that easily slides back into place
- KWC cartridge M 35 S
 - with ceramic discs
 - flow rate and temperature continuously variable
- QuickInstallation
 - Fastening via threaded connection with locking screws
- Mounting hole size ø35 mm

Flow rate normal spray 7.2 l/min (3 bar)
 Flow rate needle spray 7.1 l/min (3 bar)
 Acoustic group I



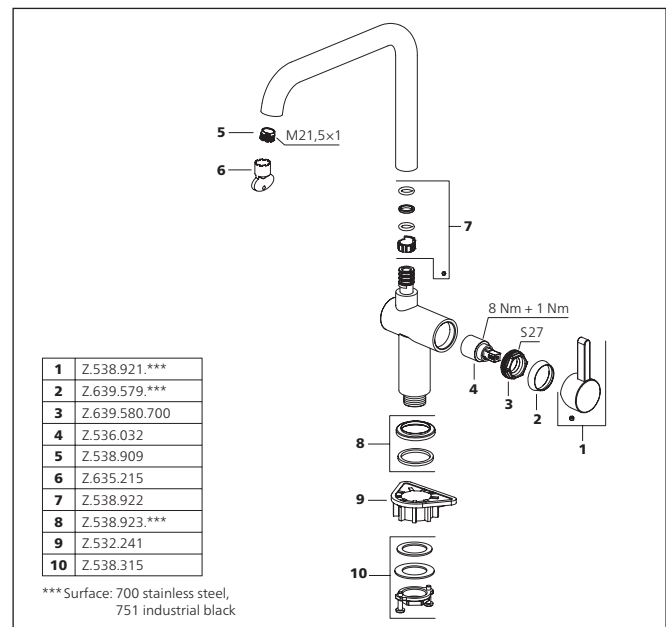
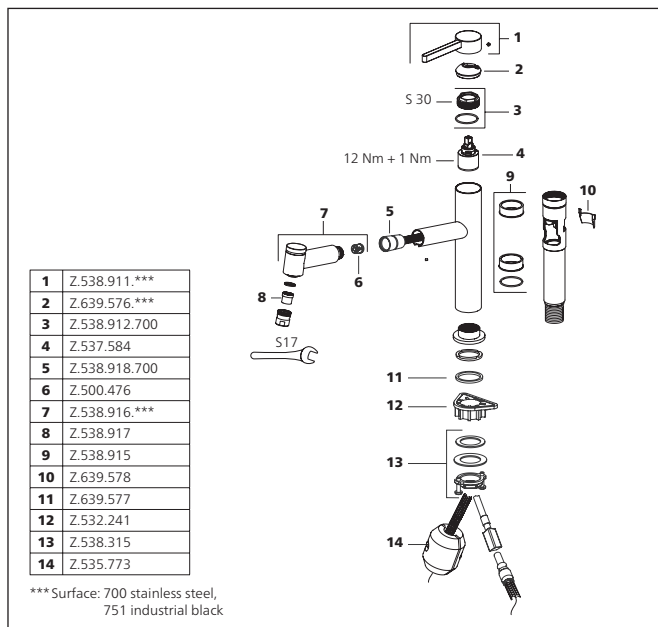
SAP Number	Article Number
stainless steel, A 220, flexible connection hoses 3/8"	
125346	10.531.012.700FL
industrial black, A 220, flexible connection hoses 3/8"	
125347	10.531.012.751FL

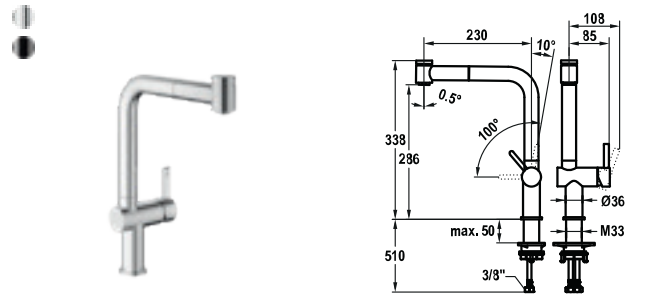
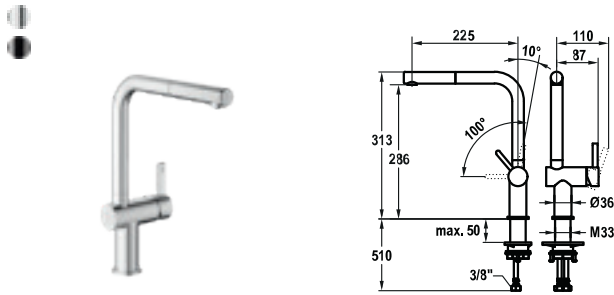
BEVO E Lever mixer - Kitchen

- Lever mixer
- Lever installation only possible on the right side
 - Child safety: cold water flow in lever position towards the front
- TouchProtect
 - anti-scald protection thanks to the "double skin" principle
- Swivel spout 150°
 - Neoperl® Caché® laminar
- OptimalSpace - ample space for washing or working
- KWC cartridge S 25
 - with ceramic discs
 - flow rate and temperature continuously variable
- QuickInstallation
 - Fastening via threaded connection with locking screws
- Mounting hole size ø35 mm

Spray: Flow rate 6.4 l/min (3 bar)
 Acoustic group I

Faucets for the kitchen





SAP Number	Article Number
stainless steel, A 225, flexible connection hoses 3/8"	
125350	10.531.103.700FL
industrial black, A 225, flexible connection hoses 3/8"	
125351	10.531.103.751FL

SAP Number	Article Number
stainless steel, A 230, flexible connection hoses 3/8"	
125354	10.531.003.700FL
industrial black, A 230, flexible connection hoses 3/8"	
125355	10.531.003.751FL

BEVO E Lever mixer - Kitchen

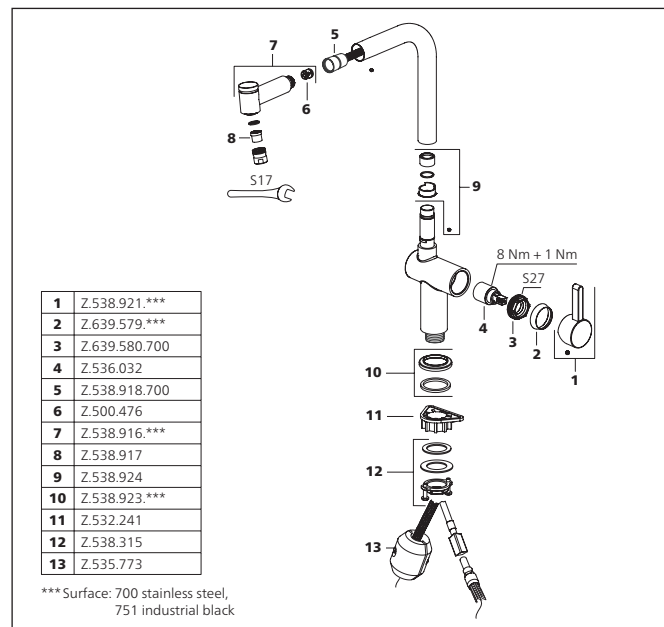
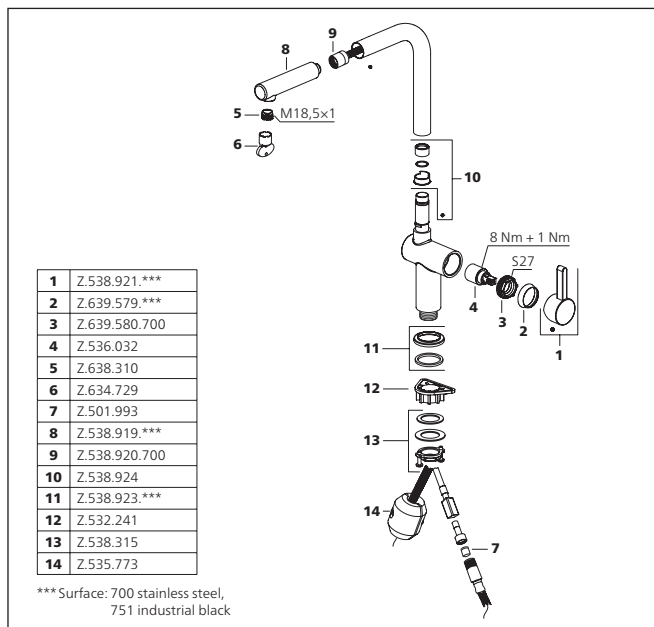
- Lever mixer
- Lever installation only possible on the right side
 - Child safety: cold water flow in lever position towards the front
- TouchProtect
 - anti-scald protection thanks to the "double skin" principle
- Pull-out aerator
 - Neoperl® Caché®
 - up to 600 mm pull-out length
 - QuickConnect - Simple hose connection system
- Hose guide, swivelling 150°
- EasyLock - a pull-out spray that easily slides back into place
- OptimalSpace - ample space for washing or working
- KWC cartridge S 25
 - with ceramic discs
 - flow rate and temperature continuously variable
- QuickInstallation
 - Fastening via threaded connection with locking screws
- Mounting hole size ø35 mm

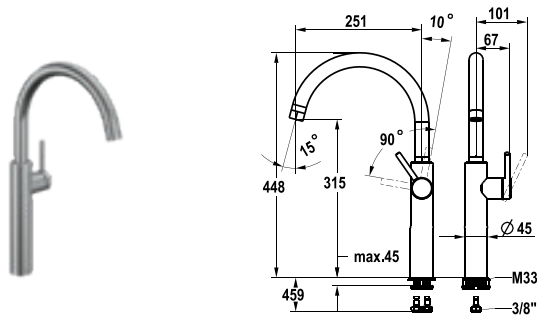
BEVO E Lever mixer - Kitchen

- Lever mixer
- Lever installation only possible on the right side
 - Child safety: cold water flow in lever position towards the front
- TouchProtect
 - anti-scald protection thanks to the "double skin" principle
- Pull-out spray
 - SprayClean
 - easy to clean and actively prevents limescale buildup
 - up to 600 mm pull-out length
 - PowerClean - needle spray mode, with automatic diverter reset
 - QuickConnect - Simple hose connection system
- Hose guide, swivelling 150°
- EasyLock - a pull-out spray that easily slides back into place
- OptimalSpace - ample space for washing or working
- KWC cartridge S 25
 - with ceramic discs
 - flow rate and temperature continuously variable
- QuickInstallation
 - Fastening via threaded connection with locking screws
- Mounting hole size ø35 mm

Flow rate 8 l/min (3 bar)
 Spray: Flow rate 5.1 l/min (3 bar)
 Acoustic group I

Flow rate normal spray 6.5 l/min (3 bar)
 Flow rate needle spray 6.2 l/min (3 bar)
 Acoustic group I



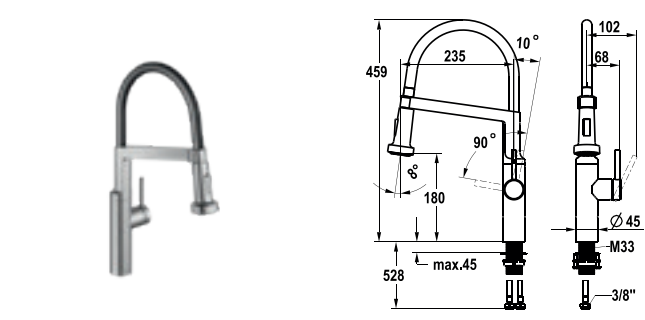


SAP Number Article Number
 stainless steel, A 250, flexible connection hoses 3/8"
125692 10.581.013.700FL

BISTRO E Lever mixer – Kitchen

- Lever mixer
- Lever installation only possible on the right side
 - Child safety: cold water flow in lever position towards the front
- Swivel spout 360°
 - Neoperl® Caché® laminar
- OptimalSpace - ample space for washing or working
- KWC cartridge M 35 S
 - with ceramic discs
 - flow rate and temperature continuously variable
- QuickInstallation
 - Fastening via threaded connection with locking screws
- Mounting hole size ø35 mm

Flow rate 13.1 l/min (3 bar)
 Acoustic group U

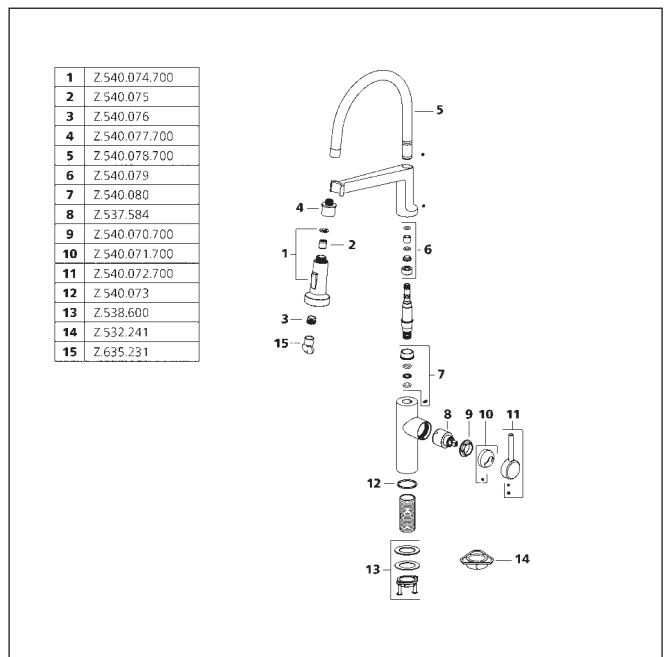
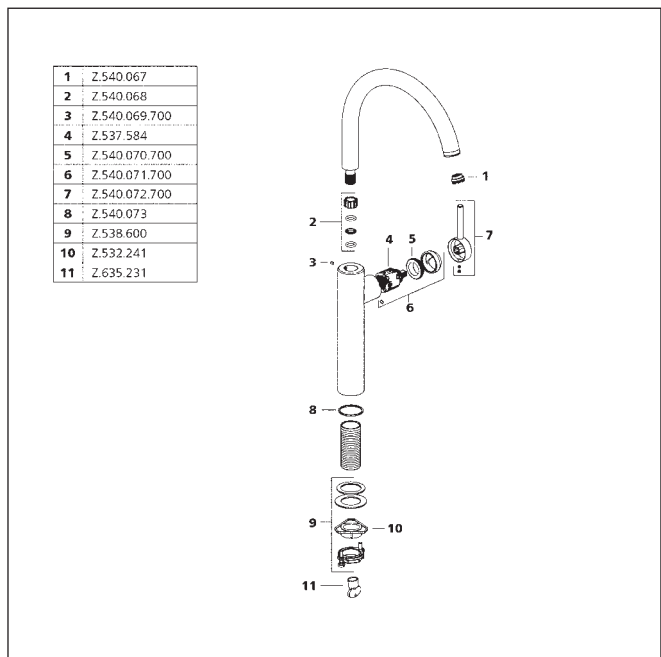


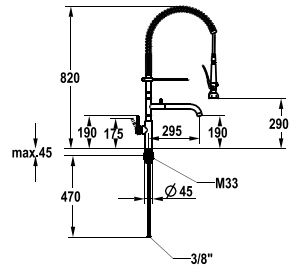
SAP Number Article Number
 stainless steel, A 235, flexible connection hoses 3/8"
125694 10.581.433.700FL

BISTRO E Lever mixer – Kitchen

- Lever mixer
- HighFlex patented spring hose technology
- Lever installation only possible on the right side
 - Child safety: cold water flow in lever position towards the front
- TouchProtect
 - anti-scald protection thanks to the "double skin" principle
- Spray
 - SprayClean
 - easy to clean and actively prevents limescale buildup
 - Neoperl® Caché® SSR, swivelling jet regulator
 - PowerClean - needle spray mode, with automatic diverter reset
- EasyLock - a pull-out spray that easily slides back into place
- Swivel spout 360°
- OptimalSpace - ample space for washing or working
- KWC cartridge M 35 S
 - with ceramic discs
 - flow rate and temperature continuously variable
- QuickInstallation
 - Fastening via threaded connection with locking screws
- Mounting hole size ø35 mm

Flow rate normal spray 7.6 l/min (3 bar)
 Spray: Flow rate 6.4 l/min (3 bar)
 Acoustic group I



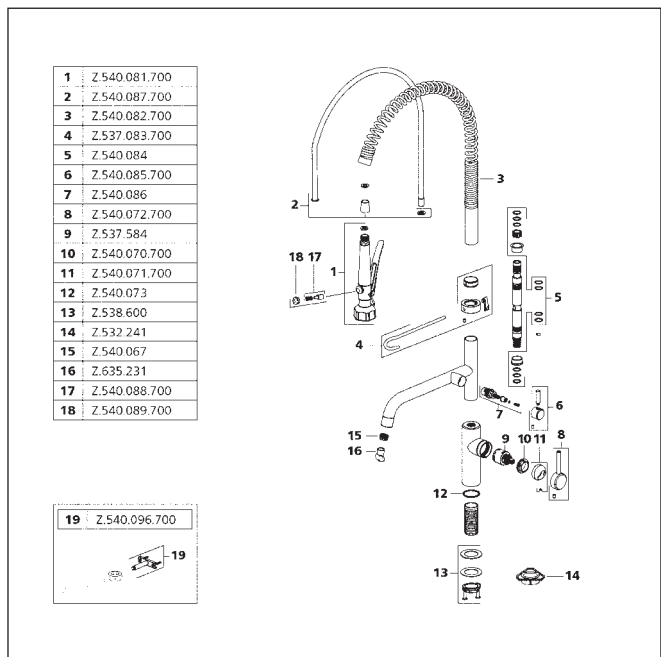


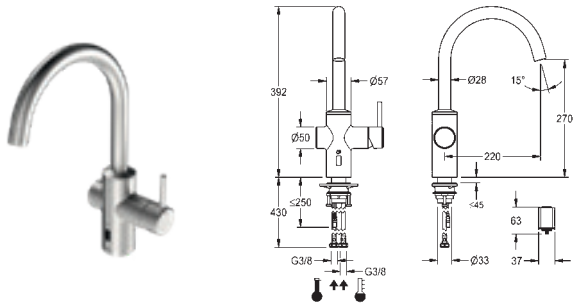
SAP Number	Article Number
stainless steel, A 295, flexible connection hoses 3/8"	
125696	10.581.144.700FL

BISTRO E Lever mixer – Kitchen

- Lever mixer
- Suspension spring
- TouchProtect
 - anti-scald protection thanks to the “double skin” principle
- Intrinsically safe against backflow and cross flow
- Swivel spout
 - Neoperl® Caché® laminar
- Pre-rinse spray
 - with integrated delayed closing device to minimize water hammer with valve maintenance unit for cleaning
 - SprayLock - lockable jet spray
 - PowerClean - needle spray mode
 - 2 jet types
- OptimalSpace - ample space for washing or working
- KWC cartridge M 35 S
 - with ceramic discs
 - flow rate and temperature continuously variable
- QuickInstallation
 - Fastening via threaded connection with locking screws
- Mounting hole size ø35 mm

Flow rate 12.1 l/min (3 bar)
 Spray: Flow rate 7.7 l/min (3 bar)
 Acoustic group I



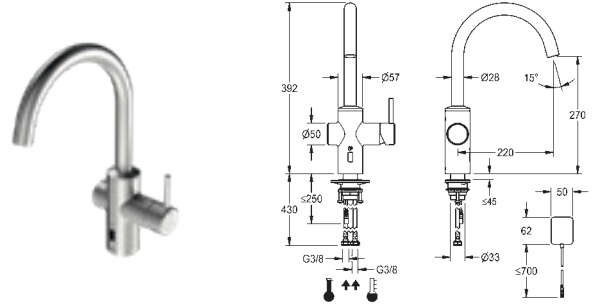


SAP Number Article Number

stainless steel, A 220,
flexible connection hoses 3/8", battery
3600001625 10.581.102.700FL

BISTRO E Lever mixer – Automatic tap, low-touch – Kitchen

- hybrid tap, low-touch, kitchen
- Made of stainless steel
- Swivel spout fixe, extensible to 50°, 120° andor 360°
- Neoperl® Caché® laminar
- OptimalSpace - ample space for washing or working
- Cartridge
- with ceramic discs
- flow rate and temperature continuously variable
- Opto-electronic sensor
- time-controlled water runtime
- pre-set water temperature
- Electrovalve
- QuickInstallation
- Fastening via threaded connection with locking screws
- Mounting hole size ø35 mm
- Scope of delivery:
- Battery compartment including 6 V lithium CRP2 battery for installation under the sink



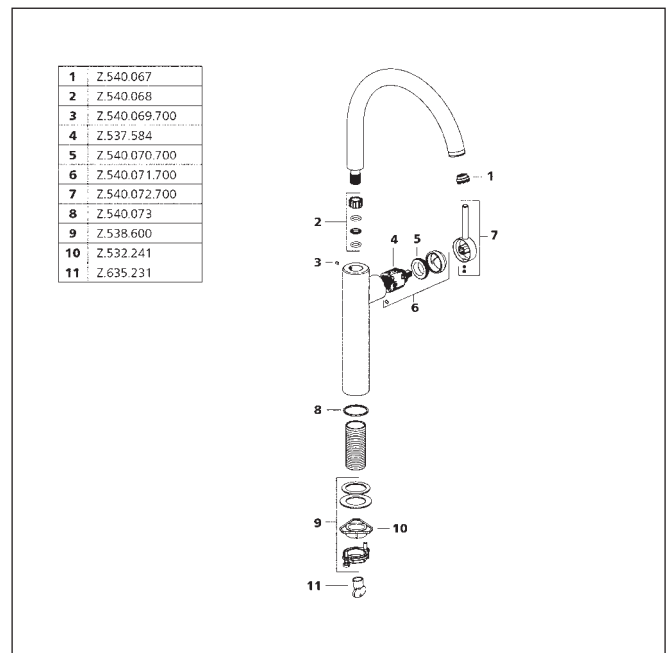
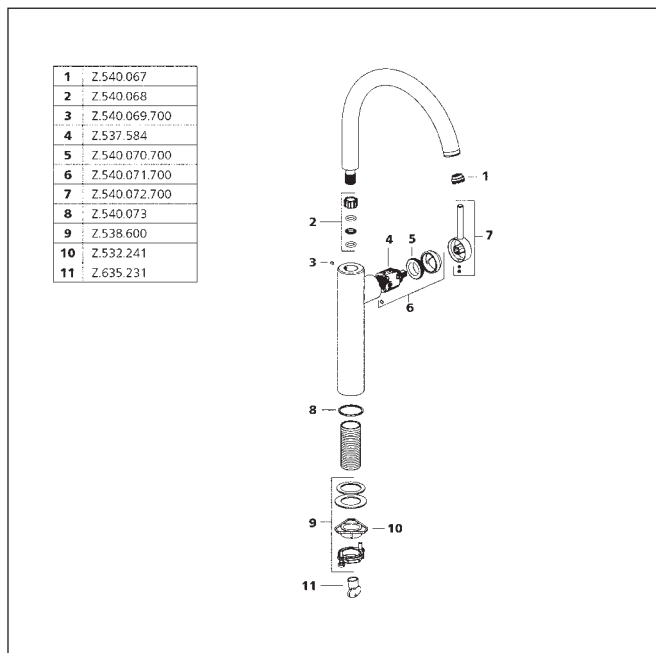
SAP Number Article Number

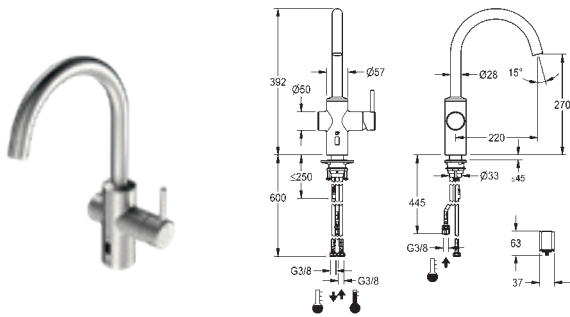
stainless steel, A 220, flexible connection hoses 3/8",
surface-mounted power supply unit
3600001626 10.581.112.700FL

BISTRO E Lever mixer – Automatic tap, low-touch – Kitchen

- hybrid tap, low-touch, kitchen
- Made of stainless steel
- Swivel spout fixe, extensible to 50°, 120° andor 360°
- Neoperl® Caché® laminar
- OptimalSpace - ample space for washing or working
- Cartridge
- with ceramic discs
- flow rate and temperature continuously variable
- Opto-electronic sensor
- time-controlled water runtime
- pre-set water temperature
- Electrovalve
- QuickInstallation
- Fastening via threaded connection with locking screws
- Mounting hole size ø35 mm
- Scope of delivery:
- Mains receiver 100-240 V

Faucets for the kitchen



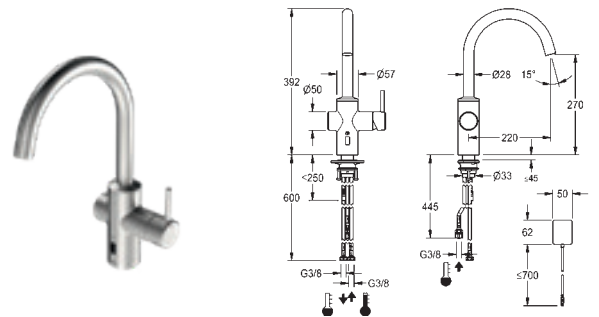


SAP Number Article Number

stainless steel, A 220,
flexible connection hoses 3/8", battery
3600001627 10.581.122.700FL

BISTRO E Lever mixer – Automatic mixer tap, low-touch – Kitchen – Low pressure

- hybrid tap, low-touch, kitchen
- Made of stainless steel
- Swivel spout fixe, extensible to 50°, 120° andor 360° - Neoperl® Caché® laminar
- OptimalSpace - ample space for washing or working
- Cartridge
 - with ceramic discs
 - flow rate and temperature continuously variable
- Opto-electronic sensor
 - time-controlled water runtime
 - pre-set water temperature
- Electrovalve
- QuickInstallation
 - Fastening via threaded connection with locking screws
- Mounting hole size ø35 mm
- Scope of delivery:
 - Battery compartment including 6 V lithium CRP2 battery for installation under the sink

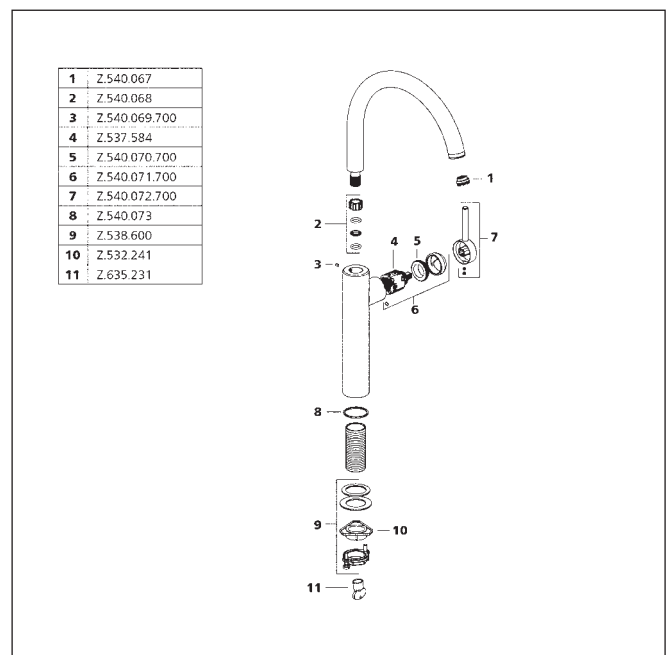
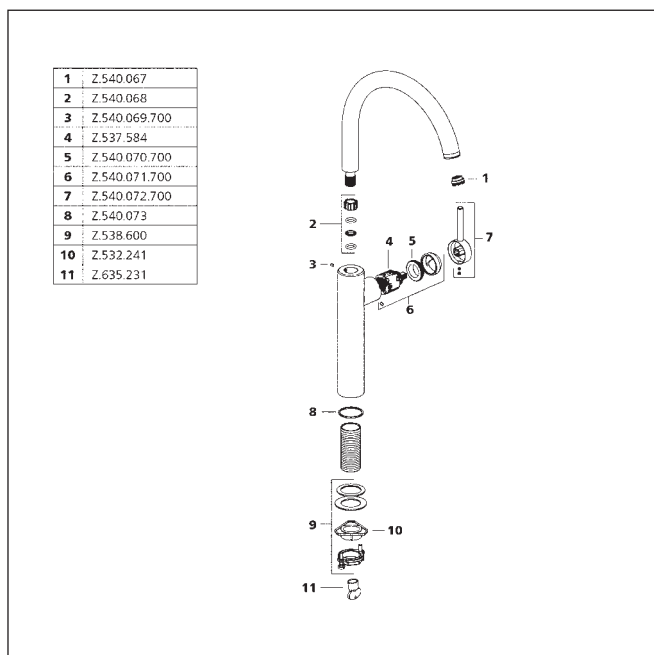


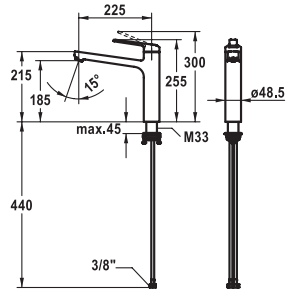
SAP Number Article Number

stainless steel, A 220, flexible connection hoses 3/8",
surface-mounted power supply unit
3600001628 10.581.132.700FL

BISTRO E Lever mixer – Automatic mixer tap, low-touch – Kitchen – Low pressure

- hybrid tap, low-touch, kitchen
- Made of stainless steel
- Swivel spout fixe, extensible to 50°, 120° andor 360° - Neoperl® Caché® laminar
- OptimalSpace - ample space for washing or working
- Cartridge
 - with ceramic discs
 - flow rate and temperature continuously variable
- Opto-electronic sensor
 - time-controlled water runtime
 - pre-set water temperature
- Electrovalve
- QuickInstallation
 - Fastening via threaded connection with locking screws
- Mounting hole size ø35 mm
- Scope of delivery:
 - Mains receiver 100-240 V



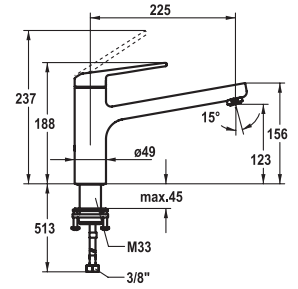


SAP Number	Article Number
chromeline, A 225, flexible connection hoses 3/8"	
124918	10.661.023.000FL

DOMO 6.0 Lever mixer - Kitchen

- Lever mixer
- Swivel spout 150°
 - Neoperl® Cascade® SLC
- OptimalSpace - ample space for washing or working
- KWC cartridge M 35 S
 - with ceramic discs
 - flow rate and temperature continuously variable
 - temperature limitation
- QuickInstallation
 - Fastening via threaded connection with locking screws
- Mounting hole size ø35 mm

Flow rate 12 l/min (3 bar)
Acoustic group I



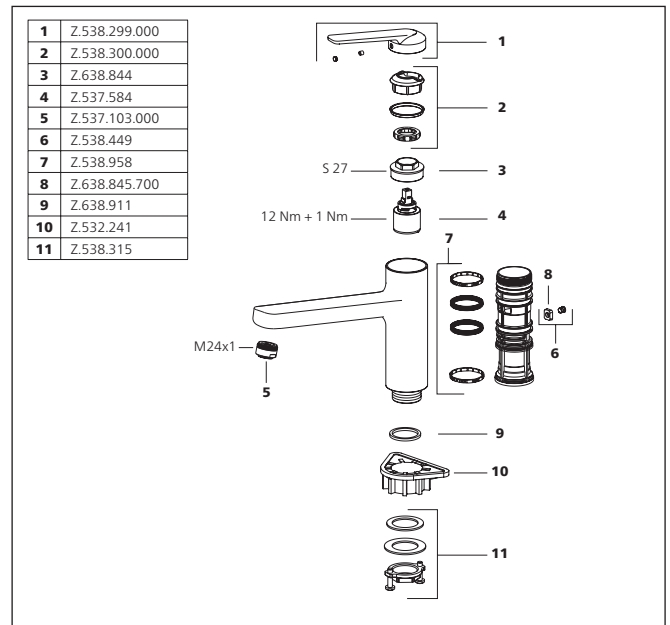
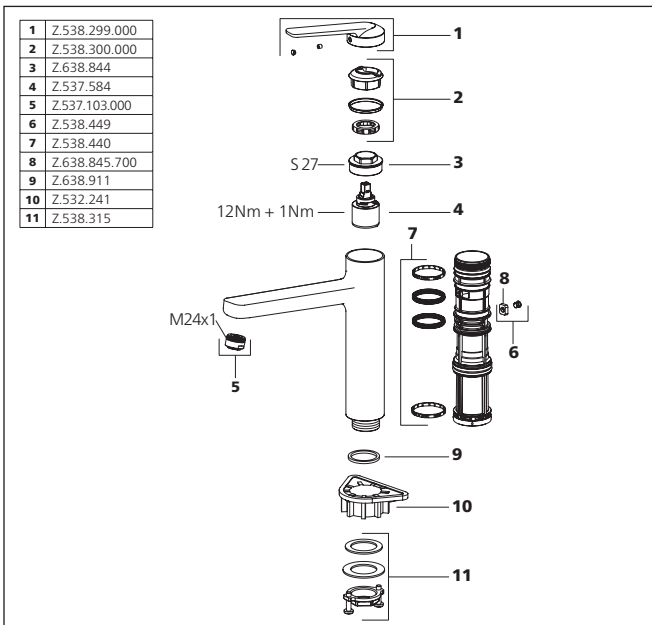
SAP Number	Article Number
chromeline, A 225, flexible connection hoses 3/8"	
125480	10.661.523.000FL

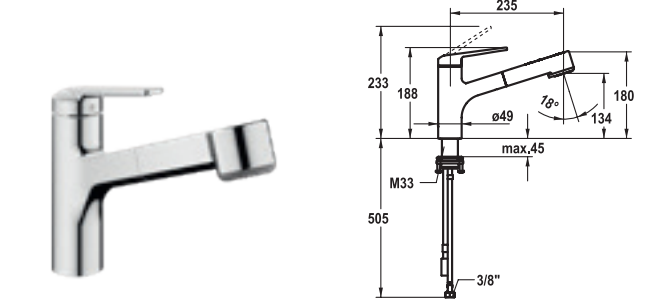
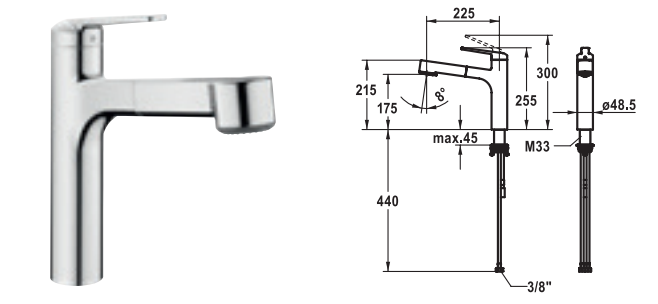
DOMO 6.0 Lever mixer - Kitchen

- Lever mixer
- Swivel spout 150°
 - Neoperl® Cascade® SLC
- OptimalSpace - ample space for washing or working
- KWC cartridge M 35 S
 - with ceramic discs
 - flow rate and temperature continuously variable
 - temperature limitation
- QuickInstallation
 - Fastening via threaded connection with locking screws
- Mounting hole size ø35 mm

Flow rate 12 l/min (3 bar)
Acoustic group I

Faucets for the kitchen





SAP Number	Article Number
chromeline, A 225, flexible connection hoses 3/8"	
124922	10.661.033.000FL

SAP Number	Article Number
chromeline, A 235, flexible connection hoses 3/8"	
125481	10.661.533.000FL

DOMO 6.0 Lever mixer - Kitchen

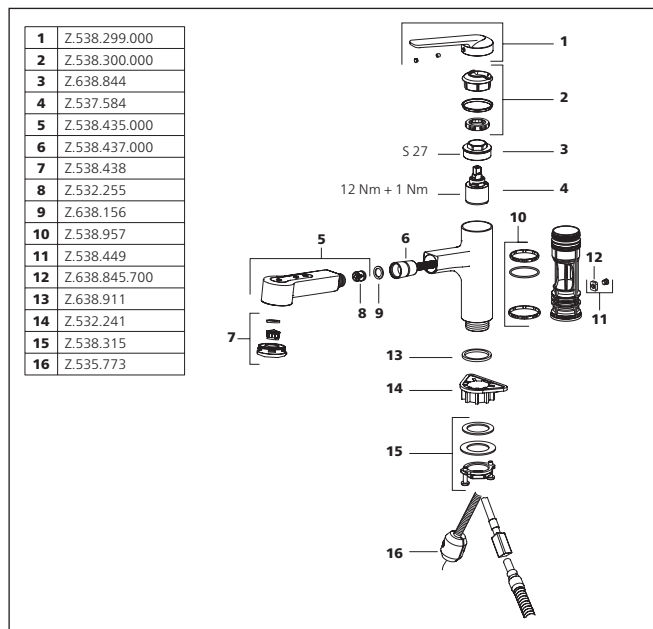
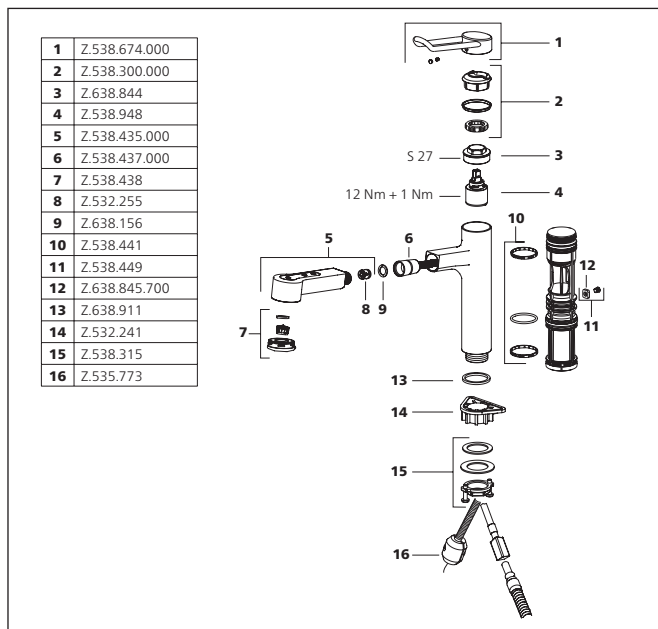
- Lever mixer
- TouchProtect
 - anti-scald protection thanks to the "double skin" principle
- Intrinsically safe against backflow
- Pull-out spray
 - SprayClean
 - easy to clean and actively prevents limescale buildup
 - up to 600 mm pull-out length
 - TripleClean - Normal, soft, and power stream modes
 - hose surface to fit faucet surface
 - QuickConnect - Simple hose connection system
- Hose guide, swivelling 120°
- EasyLock - a pull-out spray that easily slides back into place
- OptimalSpace - ample space for washing or working
- KWC cartridge M 35 S
 - with ceramic discs
 - flow rate and temperature continuously variable
 - temperature limitation
- QuickInstallation
 - Fastening via threaded connection with locking screws
- Mounting hole size ø35 mm

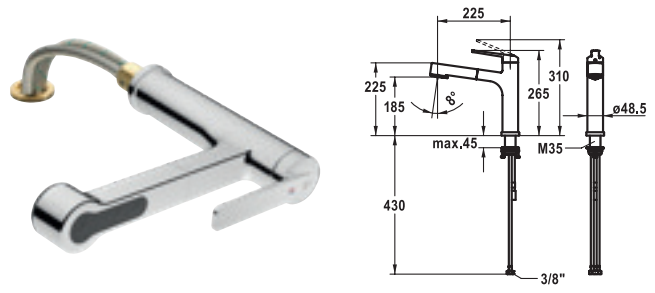
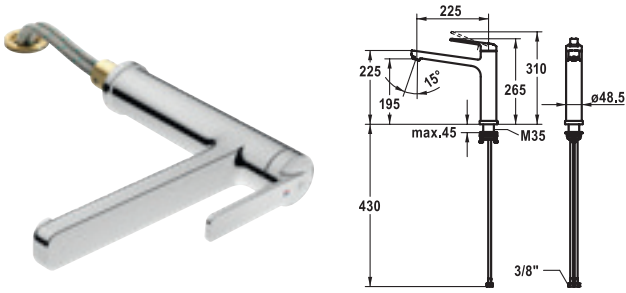
DOMO 6.0 Lever mixer - Kitchen

- Lever mixer
- TouchProtect
 - anti-scald protection thanks to the "double skin" principle
- Intrinsically safe against backflow
- Pull-out spray
 - SprayClean
 - easy to clean and actively prevents limescale buildup
 - up to 600 mm pull-out length
 - TripleClean - Normal, soft, and power stream modes
 - hose surface to fit faucet surface
 - QuickConnect - Simple hose connection system
- Hose guide, swivelling 120°
- EasyLock - a pull-out spray that easily slides back into place
- OptimalSpace - ample space for washing or working
- KWC cartridge M 35 S
 - with ceramic discs
 - flow rate and temperature continuously variable
 - temperature limitation
- QuickInstallation
 - Fastening via threaded connection with locking screws
- Mounting hole size ø35 mm

Flow rate normal spray 8 l/min (3 bar)
 Flow rate needle spray 9 l/min (3 bar)
 Acoustic group I

Flow rate normal spray 8 l/min (3 bar)
 Flow rate needle spray 9 l/min (3 bar)
 Acoustic group I





SAP Number	Article Number
chromeline, A 225, flexible connection hoses 3/8"	
124920	10.661.043.000FL



SAP Number	Article Number
chromeline, A 225, flexible connection hoses 3/8"	
124923	10.661.053.000FL

DOMO 6.0 Lever mixer - Kitchen - detachable

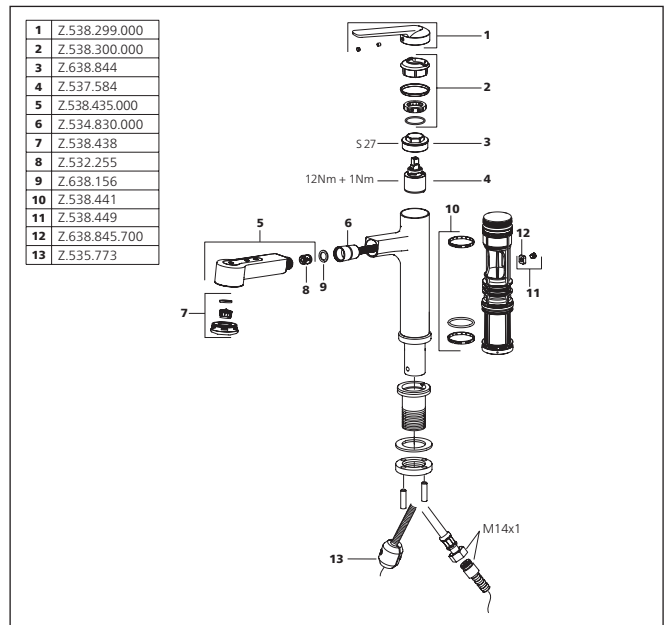
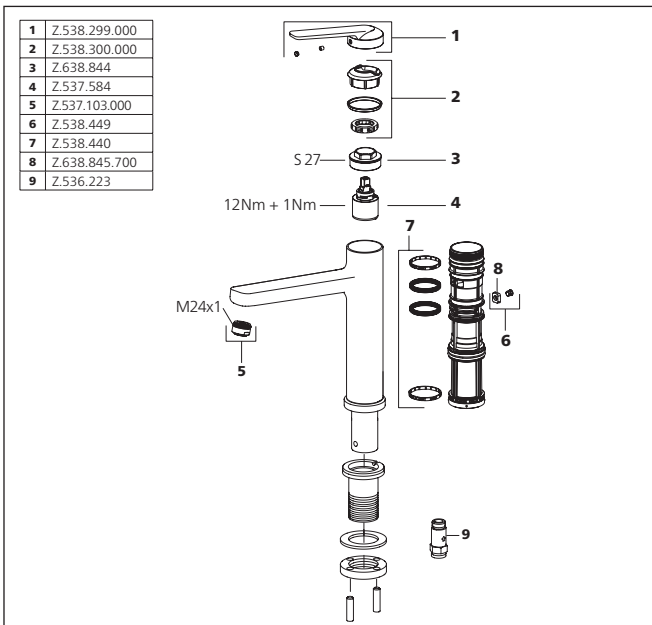
- Lever mixer
- Detachable for installation below windows - detached 55 mm
- Swivel spout 150°
- Neoperl® Cascade® SLC
- OptimalSpace - ample space for washing or working
- KWC cartridge M 35 S
- with ceramic discs
- flow rate and temperature continuously variable
- temperature limitation
- Fastening by means of threaded sleeve M35 x 1.5 (preassembled socket)
- Mounting hole size ø35 - 37 mm

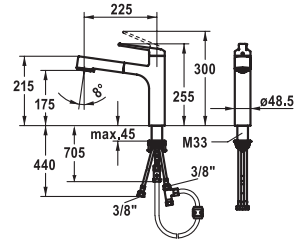
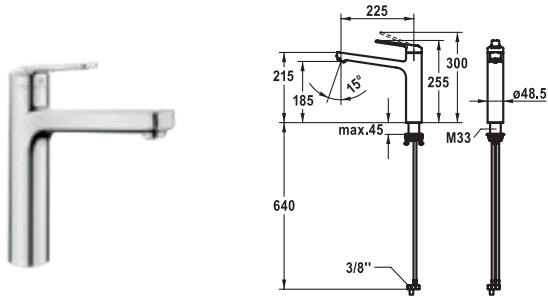
Flow rate 12 l/min (3 bar)
Acoustic group I

DOMO 6.0 Lever mixer - Kitchen - detachable

- Lever mixer
- Detachable for installation below windows - detached 55 mm
- TouchProtect
- anti-scald protection thanks to the "double skin" principle
- Intrinsically safe against backflow
- Pull-out spray
- SprayClean
- easy to clean and actively prevents limescale buildup
- up to 600 mm pull-out length
- TripleClean - Normal, soft, and power stream modes
- hose surface to fit faucet surface
- Hose guide, swivelling 120°
- EasyLock - a pull-out spray that easily slides back into place
- OptimalSpace - ample space for washing or working
- KWC cartridge M 35 S
- with ceramic discs
- flow rate and temperature continuously variable
- temperature limitation
- Fastening by means of threaded sleeve M35 x 1.5 (preassembled socket)
- Mounting hole size ø35 - 37 mm

Flow rate normal spray 8 l/min (3 bar)
Flow rate needle spray 9 l/min (3 bar)
Acoustic group I





SAP Number **Article Number**

chromeline, A 225, flexible connection hoses 3/8"
124921 10.665.023.000FL

DOMO 6.0 Lever mixer - Kitchen - Low pressure

- Lever mixer
- Swivel spout 150°
 - Jet regulator
- OptimalSpace - ample space for washing or working
- KWC cartridge M 35 S
 - with ceramic discs
 - flow rate and temperature continuously variable
 - temperature limitation
- QuickInstallation
 - Fastening via threaded connection with locking screws
- Mounting hole size ø35 mm

Flow rate 6 l/min (3 bar)
 Acoustic group I



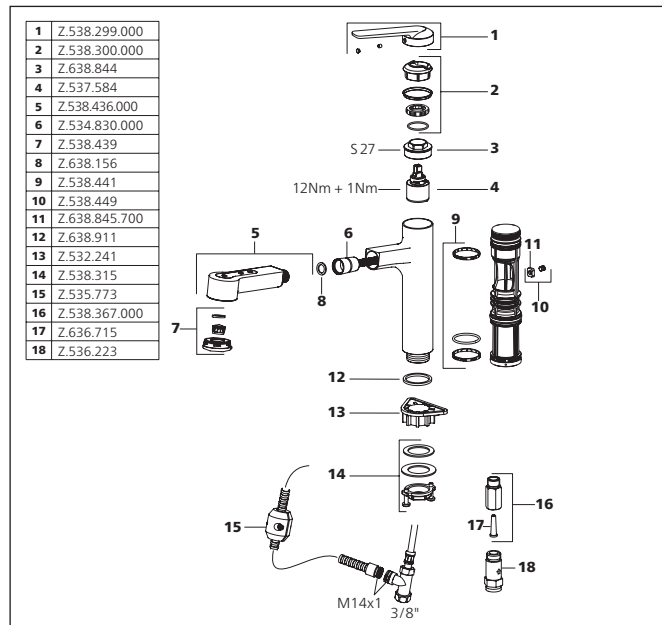
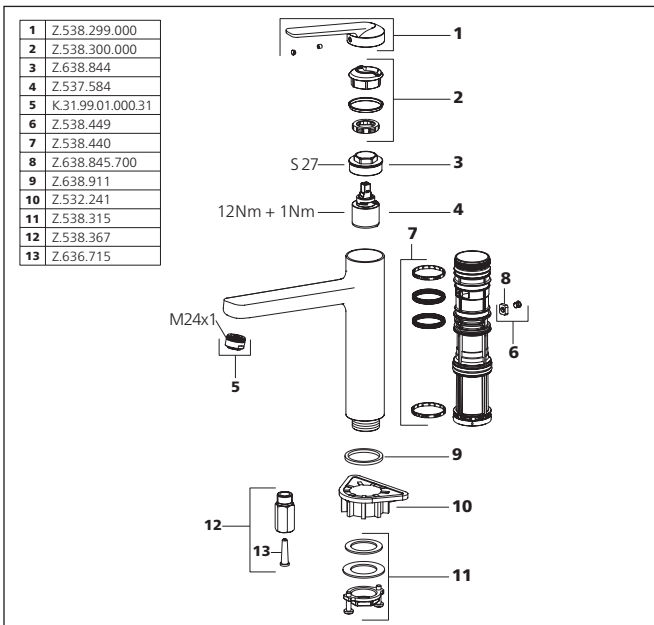
SAP Number **Article Number**

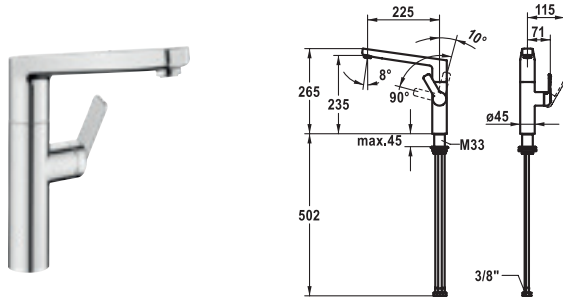
chromeline, A 225, flexible connection hoses 3/8"
124924 10.665.033.000FL

DOMO 6.0 Lever mixer - Kitchen - Low pressure

- Lever mixer
- TouchProtect
 - anti-scald protection thanks to the "double skin" principle
- Intrinsically safe against backflow
- Pull-out spray
 - SprayClean
 - easy to clean and actively prevents limescale buildup
 - up to 600 mm pull-out length
 - TripleClean - Normal, soft, and power stream modes
 - hose surface to fit faucet surface
- Hose guide, swivelling 120°
- EasyLock - a pull-out spray that easily slides back into place
- OptimalSpace - ample space for washing or working
- KWC cartridge M 35 S
 - with ceramic discs
 - flow rate and temperature continuously variable
 - temperature limitation
- QuickInstallation
 - Fastening via threaded connection with locking screws
- Mounting hole size ø35 mm

Flow rate normal spray 7 l/min (3 bar)
 Flow rate needle spray 7 l/min (3 bar)
 Acoustic group I



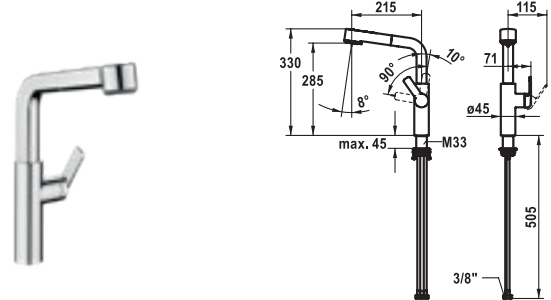
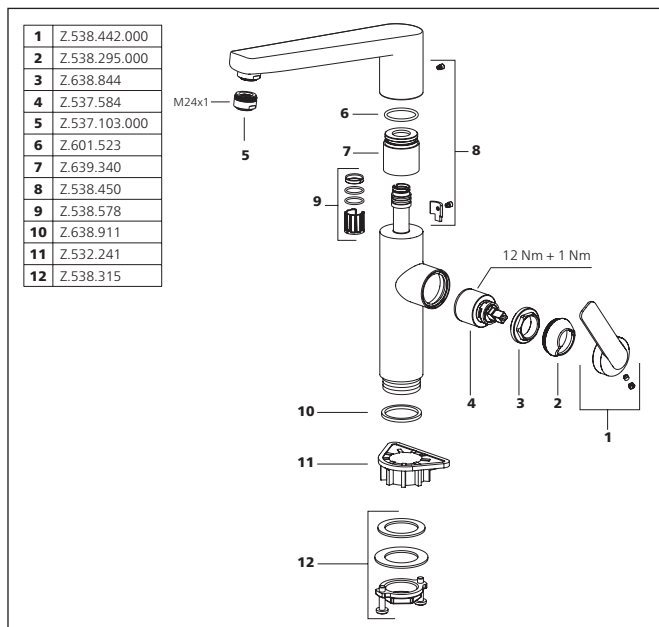


SAP Number	Article Number
chromeline, A 225, flexible connection hoses 3/8"	
124926	10.661.013.000FL

DOMO 6.0 Lever mixer - Kitchen

- Lever mixer
- Lever installation only possible on the right side
 - Child safety: cold water flow in lever position towards the front
- gap between wall and centre of mounting hole min. 26 mm
- SwivelStop - swivel spout 150°, extensible to 360°
 - Neoperl® Cascade® SLC
- OptimalSpace - ample space for washing or working
- KWC cartridge M 35 S
 - with ceramic discs
 - flow rate and temperature continuously variable
 - temperature limitation
- QuickInstallation
 - Fastening via threaded connection with locking screws
- Mounting hole size ø35 mm
- To be ordered separately (optional or if necessary):
 - Swivel range limited to 120°, Z.538.320

Flow rate 11 l/min (3 bar)
Acoustic group I

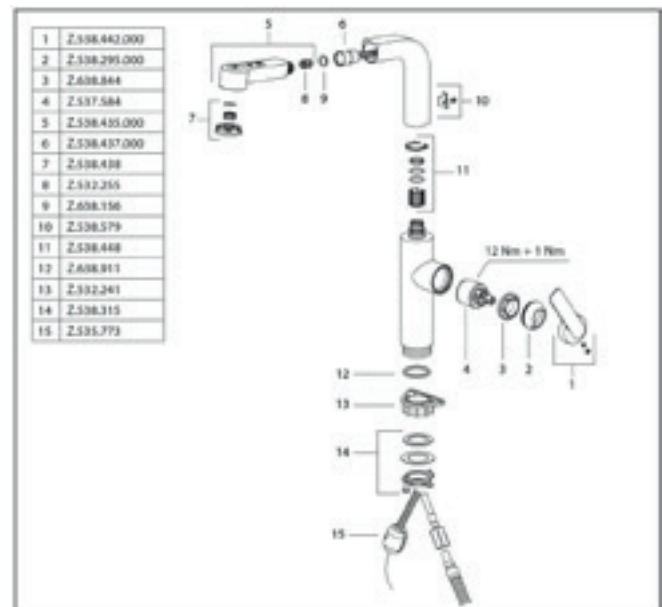


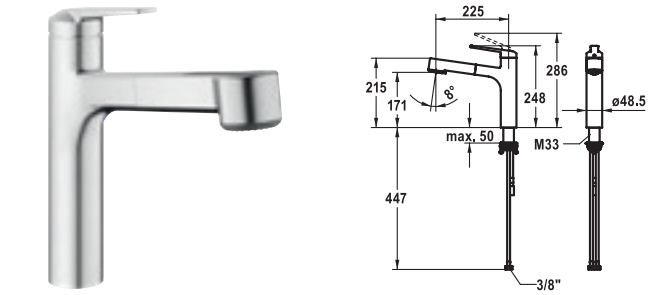
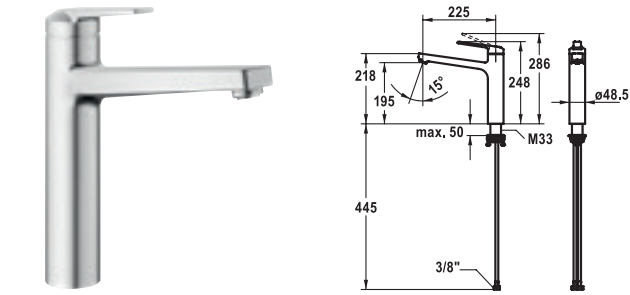
SAP Number	Article Number
chromeline, A 215, flexible connection hoses 3/8"	
124928	10.661.003.000FL

DOMO 6.0 Lever mixer - Kitchen

- Lever mixer
- Lever installation only possible on the right side
 - Child safety: cold water flow in lever position towards the front
- gap between wall and centre of mounting hole min. 26 mm
- TouchProtect
 - anti-scald protection thanks to the "double skin" principle
- Intrinsically safe against backflow
- Pull-out spray
 - SprayClean
 - easy to clean and actively prevents limescale buildup
 - up to 600 mm pull-out length
 - TripleClean - Normal, soft, and power stream modes
 - hose surface to fit faucet surface
 - QuickConnect - Simple hose connection system
- Hose guide, swivelling 150°
- EasyLock - a pull-out spray that easily slides back into place
- OptimalSpace - ample space for washing or working
- KWC cartridge M 35 S
 - with ceramic discs
 - flow rate and temperature continuously variable
 - temperature limitation
- QuickInstallation
 - Fastening via threaded connection with locking screws
- Mounting hole size ø35 mm
- To be ordered separately (optional or if necessary):
 - Swivel range limited to 120°, Z.538.320

Flow rate normal spray 8 l/min (3 bar)
Flow rate needle spray 8 l/min (3 bar)
Acoustic group I





SAP Number	Article Number
stainless steel, A 225, flexible connection hoses 3/8"	
124933	10.701.023.700FL

SAP Number	Article Number
stainless steel, A 225, flexible connection hoses 3/8"	
124934	10.701.033.700FL

DOMO E Lever mixer - Kitchen

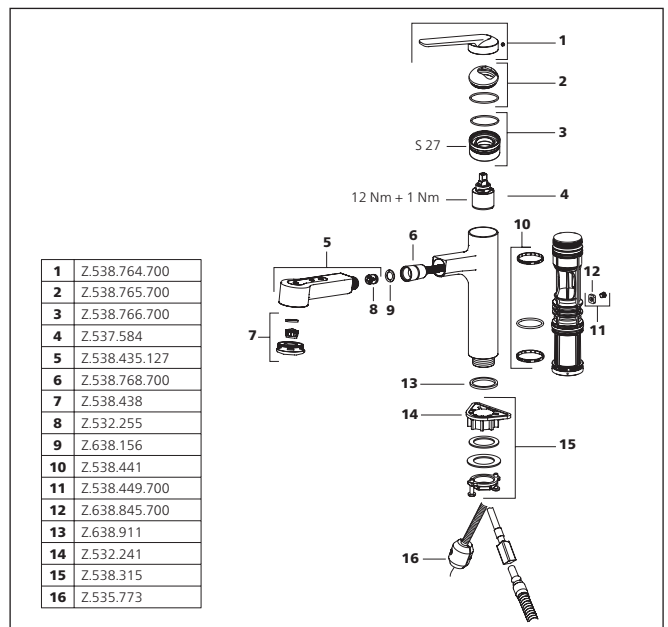
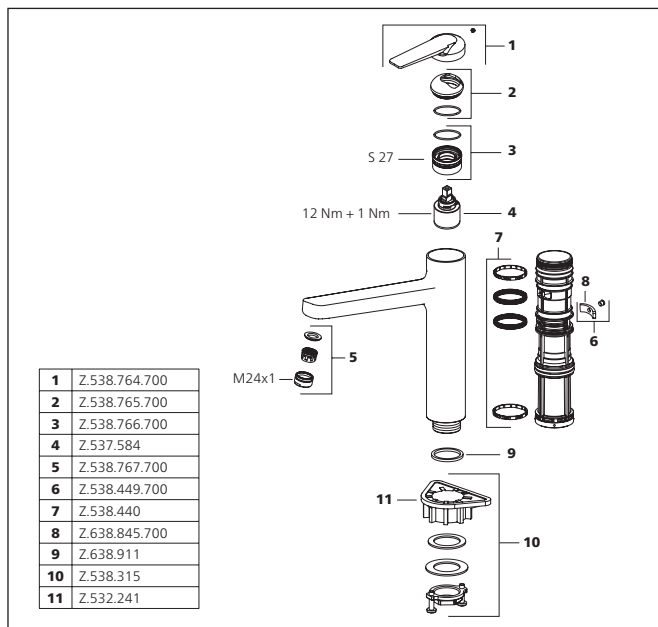
- Lever mixer
- Swivel spout 150°
 - Neoperl® Cascade® SLC
- OptimalSpace - ample space for washing or working
- KWC cartridge M 35 S
 - with ceramic discs
 - flow rate and temperature continuously variable
 - temperature limitation
- QuickInstallation
 - Fastening via threaded connection with locking screws
- Mounting hole size ø35 mm

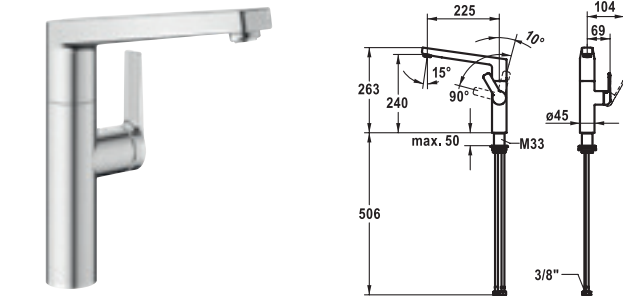
Flow rate 12 l/min (3 bar)
Acoustic group I

DOMO E Lever mixer - Kitchen

- Lever mixer
- TouchProtect
 - anti-scald protection thanks to the "double skin" principle
- Intrinsically safe against backflow
- Pull-out spray
 - SprayClean
 - easy to clean and actively prevents limescale buildup
 - up to 600 mm pull-out length
 - TripleClean - Normal, soft, and power stream modes
 - hose surface to fit faucet surface
 - QuickConnect - Simple hose connection system
- Hose guide, swivelling 120°
- EasyLock - a pull-out spray that easily slides back into place
- OptimalSpace - ample space for washing or working
- KWC cartridge M 35 S
 - with ceramic discs
 - flow rate and temperature continuously variable
 - temperature limitation
- QuickInstallation
 - Fastening via threaded connection with locking screws
- Mounting hole size ø35 mm

Flow rate normal spray 8 l/min (3 bar)
Flow rate needle spray 9 l/min (3 bar)
Acoustic group I



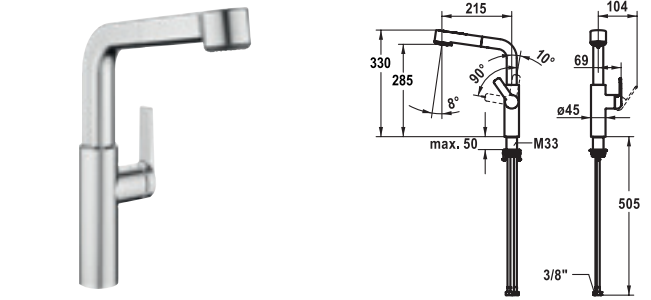


SAP Number	Article Number
stainless steel, A 225, flexible connection hoses 3/8"	
124936	10.701.013.700FL

DOMO E Lever mixer - Kitchen

- Lever mixer
- Lever installation only possible on the right side
 - Child safety: cold water flow in lever position towards the front
- gap between wall and centre of mounting hole min. 26 mm
- SwivelStop - swivel spout 360°, limitable to 150°
 - Neoperl® Cascade® SLC
- OptimalSpace - ample space for washing or working
- KWC cartridge M 35 S
 - with ceramic discs
 - flow rate and temperature continuously variable
 - temperature limitation
- QuickInstallation
 - Fastening via threaded connection with locking screws
- Mounting hole size ø35 mm

Flow rate 11 l/min (3 bar)
Acoustic group I

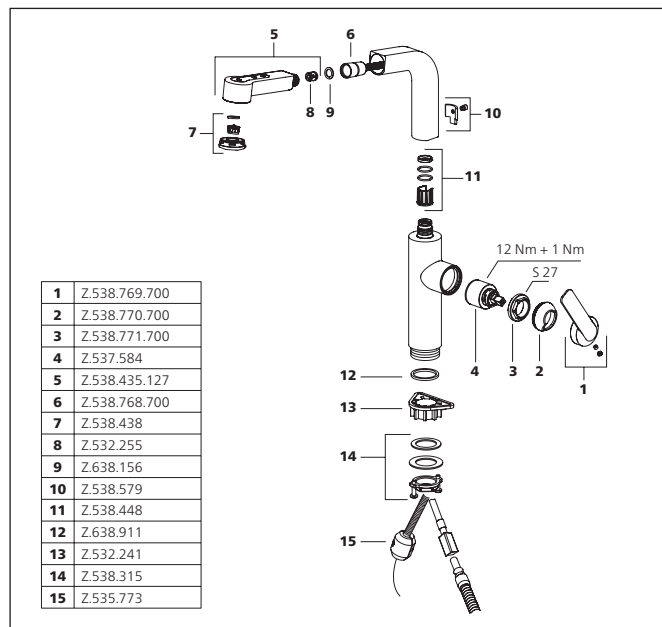
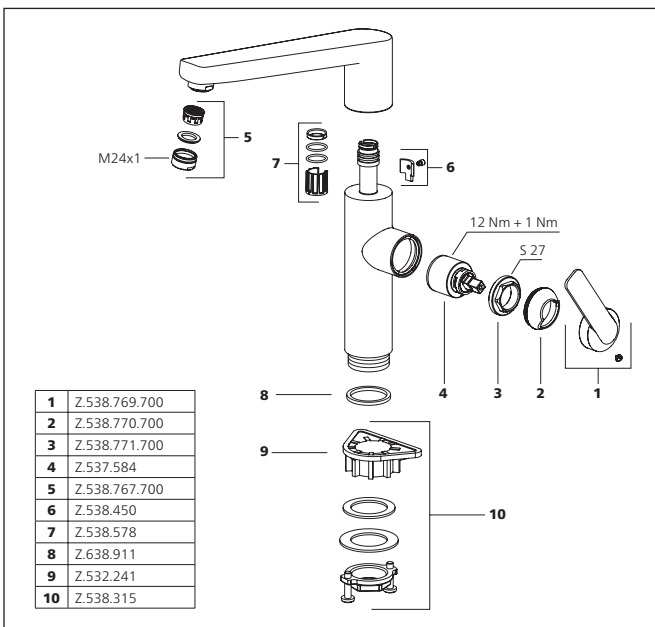


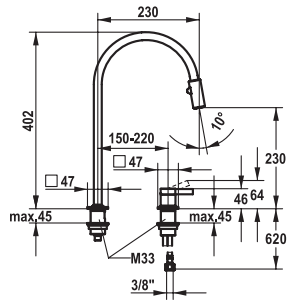
SAP Number	Article Number
stainless steel, A 215, flexible connection hoses 3/8"	
124937	10.701.003.700FL

DOMO E Lever mixer - Kitchen

- Lever mixer
- Lever installation only possible on the right side
 - Child safety: cold water flow in lever position towards the front
- gap between wall and centre of mounting hole min. 26 mm
- TouchProtect
 - anti-scald protection thanks to the "double skin" principle
- Intrinsically safe against backflow
- Pull-out spray
 - SprayClean
 - easy to clean and actively prevents limescale buildup
 - up to 600 mm pull-out length
 - TripleClean - Normal, soft, and power stream modes
 - hose surface to fit faucet surface
 - QuickConnect - Simple hose connection system
- Hose guide, swivelling 150°
- EasyLock - a pull-out spray that easily slides back into place
- OptimalSpace - ample space for washing or working
- KWC cartridge M 35 S
 - with ceramic discs
 - flow rate and temperature continuously variable
 - temperature limitation
- QuickInstallation
 - Fastening via threaded connection with locking screws
- Mounting hole size ø35 mm

Flow rate normal spray 8 l/min (3 bar)
Flow rate needle spray 8 l/min (3 bar)
Acoustic group I





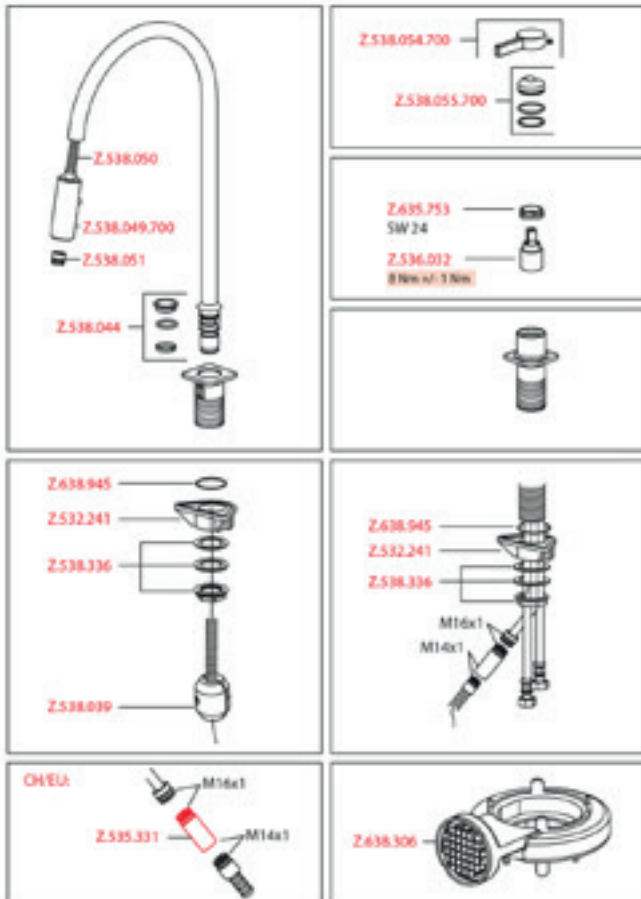
SAP Number	Article Number
stainless steel, A 230, flexible connection hoses 3/8"	
124405	10.392.323.700FL

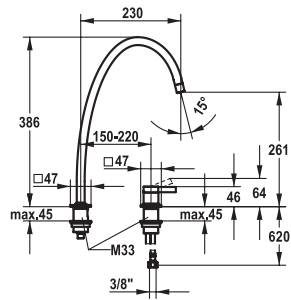
ERA Lever mixer - Kitchen

- Lever mixer
- 2-hole
- Lever installation possible on the right or left side
- TouchProtect
 - anti-scald protection thanks to the "double skin" principle
- Pull-out spray 360° turn - magnetic tight-fit holder
 - SprayClean
 - easy to clean and actively prevents limescale buildup
 - Jet regulator
 - PowerClean - needle spray mode, with automatic diverter reset
 - up to 500 mm pull-out length
 - black fabric hose

- Hose guide, swivelling 150°, can be extended to 360°
- OptimalSpace - ample space for washing or working
- KWC cartridge S 25
 - with ceramic discs
 - flow rate and temperature continuously variable
- Fastening by means of threaded sleeve M33 x 1.5
- Mounting hole size ø35 mm

Flow rate normal spray 7 l/min (3 bar)
 Flow rate needle spray 7 l/min (3 bar)
 Acoustic group I





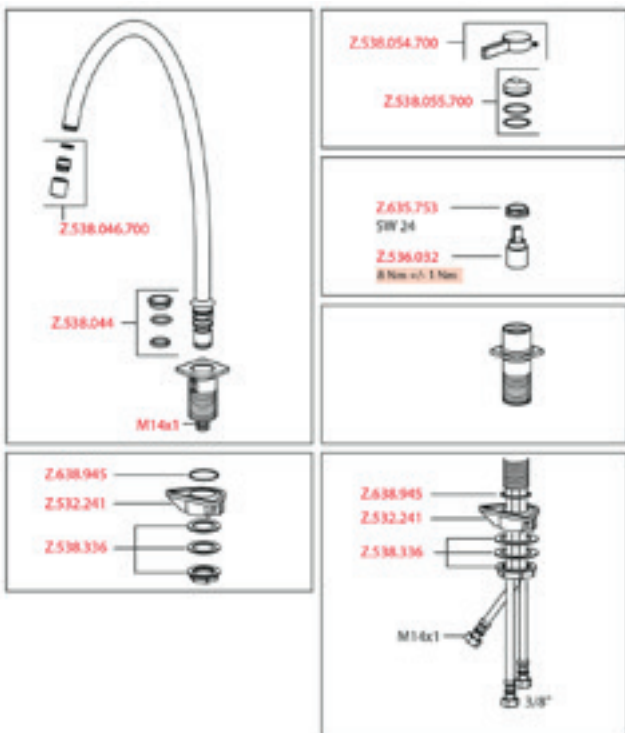
SAP Number	Article Number
124399	10.392.024.700FL

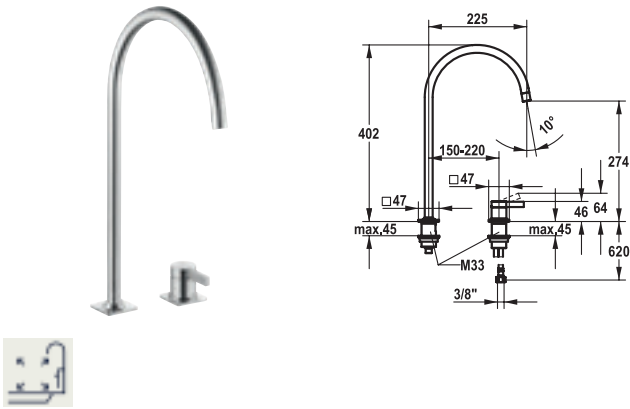
ERA Lever mixer - Kitchen

- Lever mixer
- 2-hole
- Lever installation possible on the right or left side
- Swivel spout 150° , extensible to 360°
 - Neoperl® Perlator® laminar
- OptimalSpace - ample space for washing or working
- KWC cartridge S 25
 - with ceramic discs
 - flow rate and temperature continuously variable
- Fastening by means of threaded sleeve M33 x 1.5
- Mounting hole size ø35 mm

Flow rate 8 l/min (3 bar)
Acoustic group I

Faucets for the kitchen



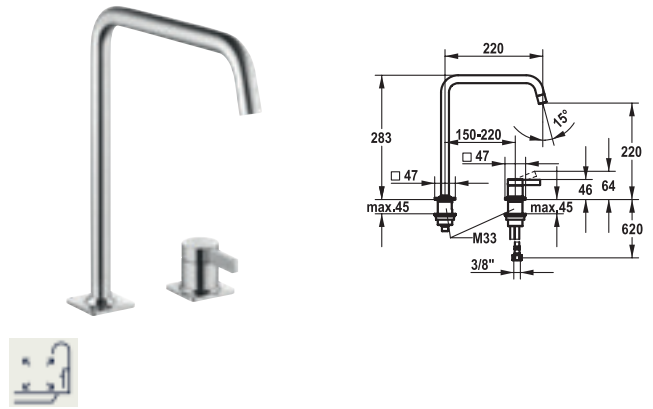


SAP Number	Article Number
stainless steel, A 225, flexible connection hoses 3/8"	
124396	10.392.023.700FL

ERA Lever mixer - Kitchen

- Lever mixer
- 2-hole
- Lever installation possible on the right or left side
- Swivel spout 150°, extensible to 360°
 - Neoperl® Perlator® laminar
- OptimalSpace - ample space for washing or working
- KWC cartridge S 25
 - with ceramic discs
 - flow rate and temperature continuously variable
- Fastening by means of threaded sleeve M33 x 1.5
- Mounting hole size ø35 mm

Flow rate 8 l/min (3 bar)
Acoustic group I

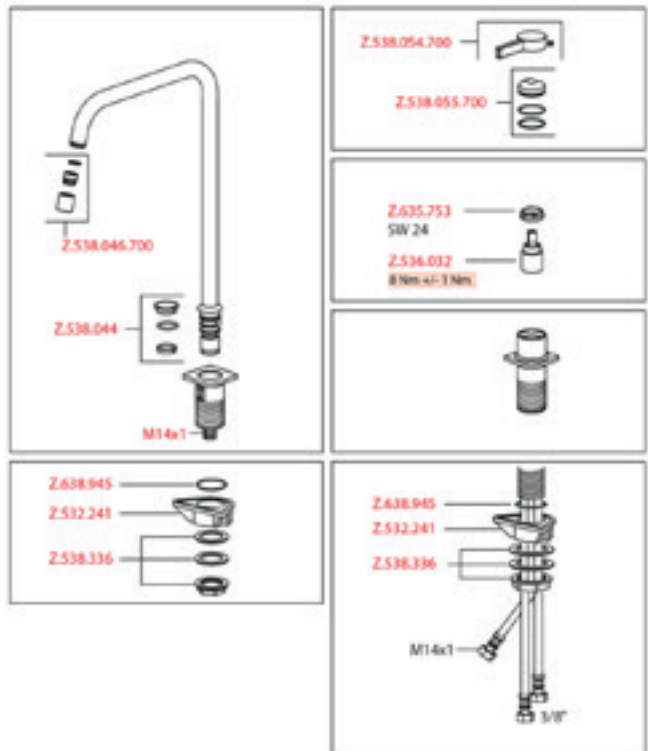
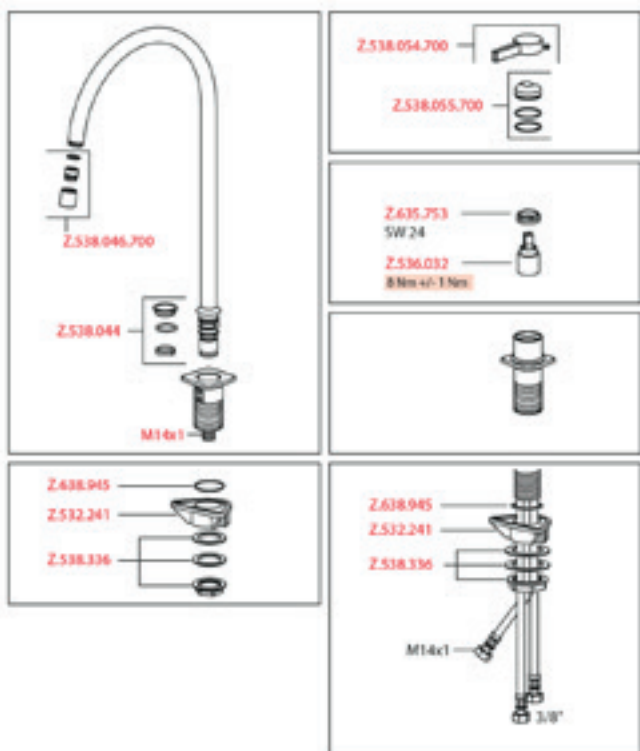


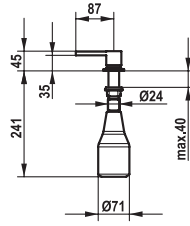
SAP Number	Article Number
stainless steel, A 220, flexible connection hoses 3/8"	
124402	10.392.022.700FL

ERA Lever mixer - Kitchen

- Lever mixer
- 2-hole
- Lever installation possible on the right or left side
- Swivel spout 150°, extensible to 360°
 - Neoperl® Perlator® laminar
- OptimalSpace - ample space for washing or working
- KWC cartridge S 25
 - with ceramic discs
 - flow rate and temperature continuously variable
- Fastening by means of threaded sleeve M33 x 1.5
- Mounting hole size ø35 mm

Flow rate 8 l/min (3 bar)
Acoustic group I

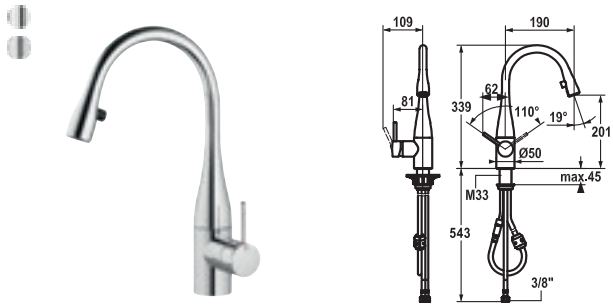




SAP Number	Article Number
stainless steel	
538038	Z.538.038.700

ERA Soap dispenser

- Soap dispenser KWC ERA
- Easily refillable from top without disassembly
- Mounting hole size $\varnothing 26$ mm
- Scope of delivery:
 - Pump
 - Soap container, filling capacity 350 ml Z.538.053

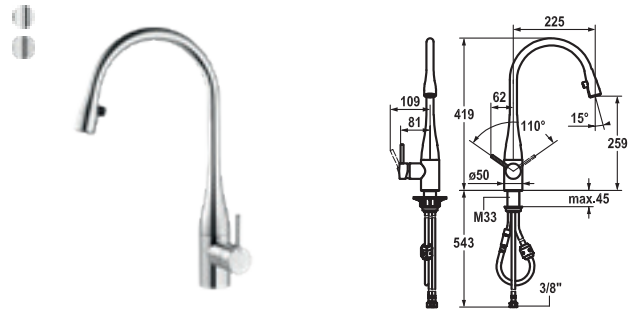


SAP Number	Article Number
chromeline, A 190, flexible connection hoses 3/8"	
121619	10.111.102.000FL
stainless steel, A 190, flexible connection hoses 3/8"	
121617	10.111.102.700FL

EVE Lever mixer - Kitchen

- Lever mixer
- Lever installation possible on the right or left side
- TouchProtect
 - anti-scald protection thanks to the "double skin" principle
- Pull-out aerator covered
 - Neoperl® Caché®
 - up to 600 mm pull-out length
 - hose surface to fit faucet surface
- Hose guide, swivelling 320°
- EasyLock - a pull-out spray that easily slides back into place
- KWC cartridge M 35
 - with ceramic discs
 - flow rate and temperature continuously variable
- Fastening by means of threaded sleeve M33 x 1.5
- Mounting hole size ø35 mm

Flow rate 11 l/min (3 bar)
Acoustic group I

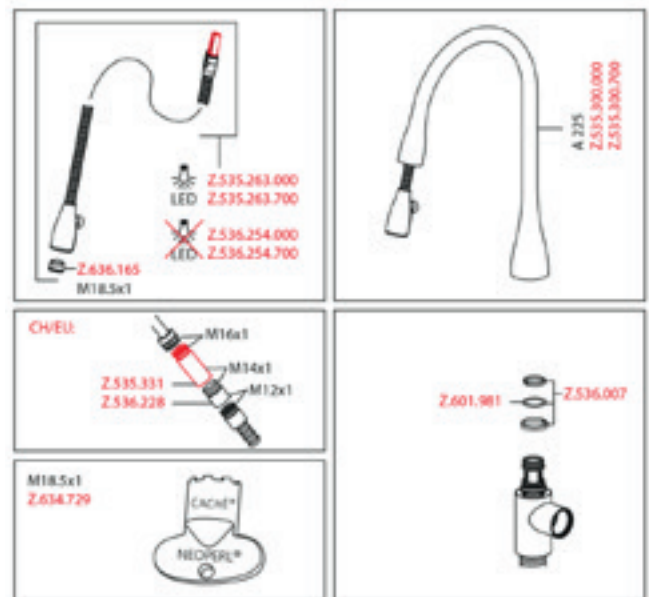
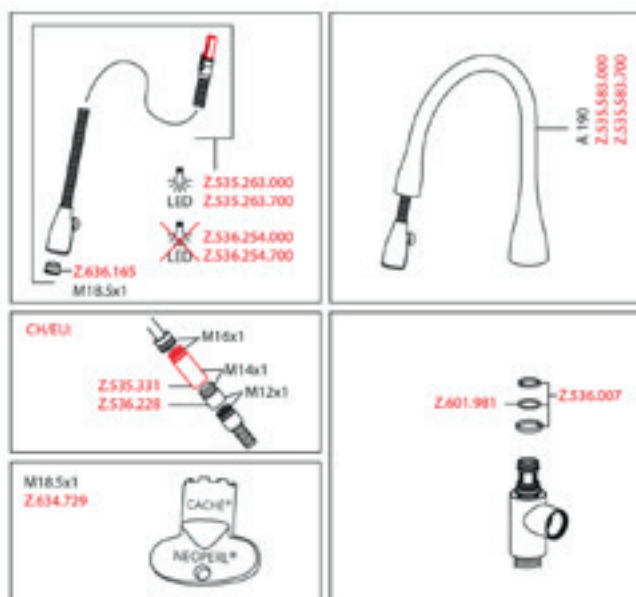


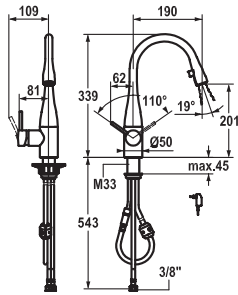
SAP Number	Article Number
chromeline, A 225, flexible connection hoses 3/8"	
121241	10.111.103.000FL
stainless steel, A 225, flexible connection hoses 3/8"	
121326	10.111.103.700FL

EVE Lever mixer - Kitchen

- Lever mixer
- Lever installation possible on the right or left side
- TouchProtect
 - anti-scald protection thanks to the "double skin" principle
- Pull-out aerator covered
 - Neoperl® Caché®
 - up to 600 mm pull-out length
 - hose surface to fit faucet surface
- Hose guide, swivelling 320°
- EasyLock - a pull-out spray that easily slides back into place
- OptimalSpace - ample space for washing or working
- KWC cartridge M 35
 - with ceramic discs
 - flow rate and temperature continuously variable
- Fastening by means of threaded sleeve M33 x 1.5
- Mounting hole size ø35 mm

Flow rate 11 l/min (3 bar)
Acoustic group I





SAP Number	Article Number
chromeline, A 190, flexible connection hoses 3/8", mains receiver 121618	10.121.102.000FL
stainless steel, A 190, flexible connection hoses 3/8", mains receiver 121616	10.121.102.700FL

EVE Lever mixer - Kitchen - with LEDShine

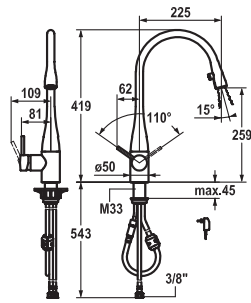
- Lever mixer
- Lever installation possible on the right or left side
- TouchProtect
 - anti-scald protection thanks to the "double skin" principle
- Pull-out aerator covered
 - Neoperl® Caché®
 - integrated ON/OFF push-button with automatic shut-off after 45 minutes
 - up to 600 mm pull-out length
 - hose surface to fit faucet surface
- Hose guide, swivelling 320°

- EasyLock - a pull-out spray that easily slides back into place
- KWC cartridge M 35
 - with ceramic discs
 - flow rate and temperature continuously variable
- Fastening by means of threaded sleeve M33 x 1.5
- Mounting hole size ø35 mm
- Scope of delivery:
 - Mains receiver 100-240 V/operating voltage 6.75 V/cable length 1100 mm

Flow rate 10 l/min (3 bar)
Acoustic group I

Faucets for the kitchen

<p>Z.535.263.000 Z.535.263.700 Z.536.254.000 Z.536.254.700 Z.636.165 M18.5x1</p>	<p>A 190 Z.535.583.000 Z.535.583.700</p>	<p>12 Nm + 1 Nm Z.534.836 Z.536.578.000 Z.635.385 SW 32 Z.536.052.000</p>	<p>GB: AUS: USA/JPN: Z.537.429 L= 1100 mm / 43 5/16" CH/EU: Z.635.582</p>
<p>CH/EU: Z.535.331 M16x1 M14x1</p>	<p>Z.601.981 Z.536.007</p>	<p>Z.536.578.700 Z.635.385 SW 32 Z.534.836 12 Nm + 1 Nm Z.536.008.700</p>	<p>Z.638.943 Z.532.241 Z.538.336 M16x1 M14x1</p>
<p>M18.5x1 Z.634.729 CACHE® NEOPERL®</p>		<p>Z.534.836 12 Nm + 1 Nm Z.635.385 SW 32</p>	<p>Z.535.773</p>



SAP Number	Article Number
chromeline, A 225, flexible connection hoses 3/8", mains receiver	
121240	10.121.103.000FL
stainless steel, A 225, flexible connection hoses 3/8", mains receiver	
121325	10.121.103.700FL
glacier white, A 225, flexible connection hoses 3/8", mains receiver	
122168	10.121.103.150FL
black chrome-plated, A 225, flexible connection hoses 3/8", mains receiver	
122169	10.121.103.151FL

EVE Lever mixer - Kitchen - with LEDShine

- Lever mixer
- Lever installation possible on the right or left side
- TouchProtect
 - anti-scald protection thanks to the "double skin" principle
- Pull-out aerator covered
 - Neoperl® Caché®
 - integrated ON/OFF push-button with automatic shut-off after 45 minutes
 - up to 600 mm pull-out length
 - hose surface to fit faucet surface
- Hose guide, swivelling 320°

- EasyLock - a pull-out spray that easily slides back into place
- OptimalSpace - ample space for washing or working
- KWC cartridge M 35
 - with ceramic discs
 - flow rate and temperature continuously variable
- Fastening by means of threaded sleeve M33 x 1.5
- Mounting hole size ø35 mm
- Scope of delivery:
 - Mains receiver 100-240 V/operating voltage 6.75 V/cable length 1100 mm

Flow rate 10 l/min (3 bar)
Acoustic group I

Z.535.263.***
LED
Z.536.254.***
LED
Z.636.165
M18.5x1

A 225
Z.535.300.***

*** Surface: chromeline 000, stainless steel 700, glacier white 150, black chrome-plated 151

Z.536.578.***
Z.635.385
SW 32
Z.534.836
12 Nm + 1 Nm
Z.536.052.***

GB: Z.537.429
AUS: Z.635.582
USA/JPN:
L= 1100 mm / 43 5/16 " CH/EU:

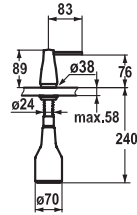
CH/EU:
Z.535.331
M16x1
M14x1

Z.601.981
Z.536.007

Z.536.578.***
Z.635.385
SW 32
Z.534.836
12 Nm + 1 Nm
Z.536.008.***

Z.534.836
12 Nm + 1 Nm
Z.635.385
SW 32

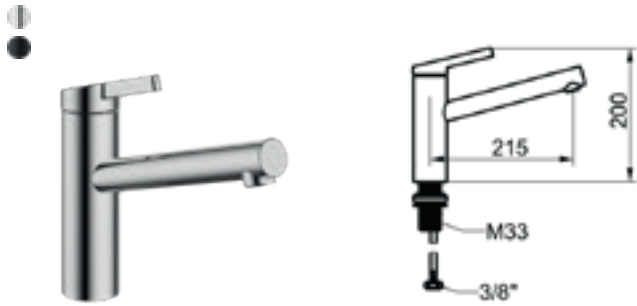
Z.638.943
Z.532.241
Z.538.336
M16x1
M14x1
Z.535.773



SAP Number	Article Number
chromeline 536063	Z.536.063.000
glacier white 536262	Z.536.063.150
stainless steel 536064	Z.536.063.700
black chrome-plated 536263	Z.536.063.151

EVE Soap dispenser

- Soap dispenser KWC EVE
- Easily refillable from top without disassembly
- Mounting hole size $\varnothing 26$ mm
- Scope of delivery:
 - Pump
 - Soap container, filling capacity 350 ml Z.635.713
- To be ordered separately (optional or if necessary):
 - Escutcheon Z.536.291.000



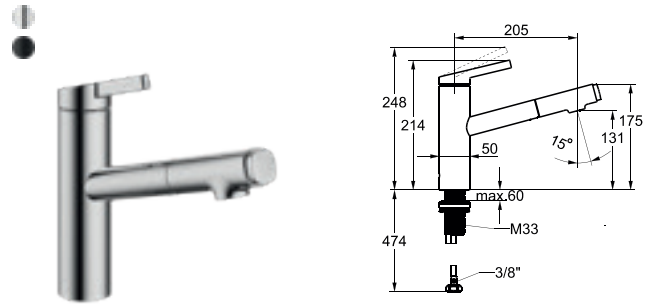
NEW

SAP Number	Article Number
chromeline, A 215, flexible connection hoses 3/8"	
125570	10.541.022.000FL
matt black, A 215, flexible connection hoses 3/8"	
125571	10.541.022.176FL

FIT Lever mixer – Kitchen

- Lever mixer
- Swivel spout 150°
 - Neoperl® Cascade® SLC
- KWC cartridge M 35 S
 - with ceramic discs
 - flow rate and temperature continuously variable
 - temperature limitation
- QuickInstallation
 - Fastening via threaded connection with locking screws
- Mounting hole size ø35 mm

Flow rate 7 l/min (3 bar)
Acoustic group I



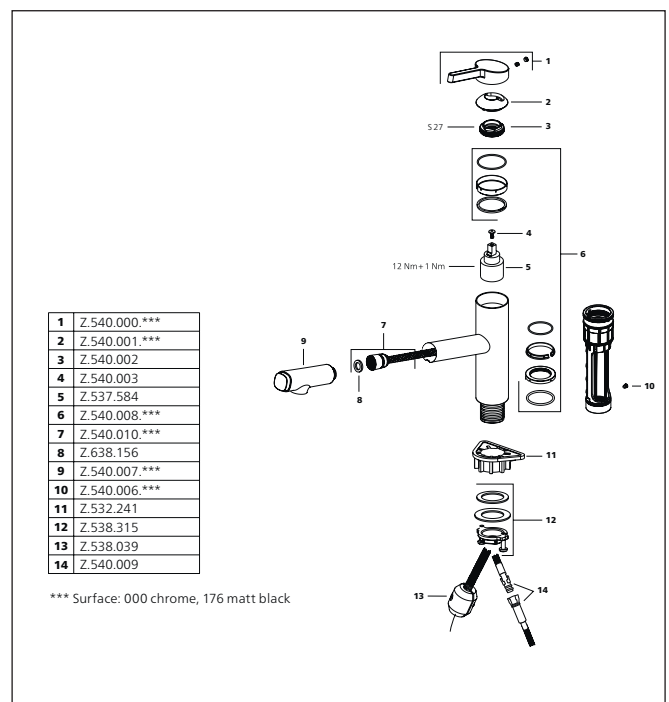
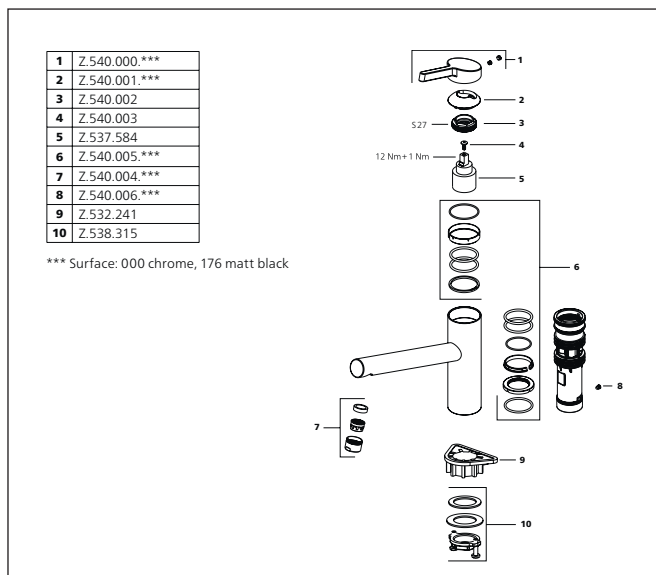
NEW

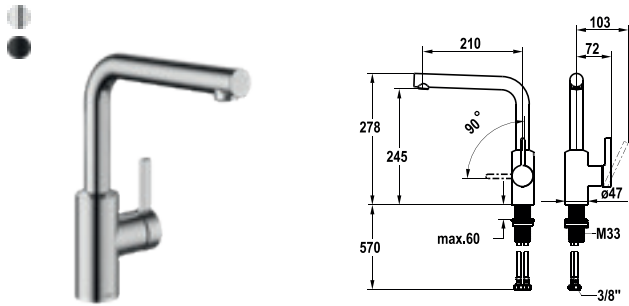
SAP Number	Article Number
chromeline, A 205, flexible connection hoses 3/8"	
125572	10.541.032.000FL
matt black, A 205, flexible connection hoses 3/8"	
125573	10.541.032.176FL

FIT Lever mixer – Kitchen

- Lever mixer
- TouchProtect
 - anti-scald protection thanks to the "double skin" principle
- Intrinsically safe against backflow
- Pull-out spray
 - up to 500 mm pull-out length
 - QuickConnect - Simple hose connection system
- Hose guide, swivelling 120°
- EasyLock - a pull-out spray that easily slides back into place
- KWC cartridge M 35 S
 - with ceramic discs
 - flow rate and temperature continuously variable
 - temperature limitation
- QuickInstallation
 - Fastening via threaded connection with locking screws
- Mounting hole size ø35 mm

Flow rate normal spray 6.8 l/min (3 bar)
Flow rate needle spray 6.5 l/min (3 bar)
Acoustic group I



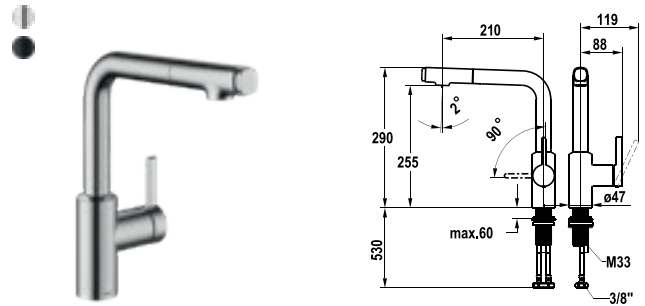
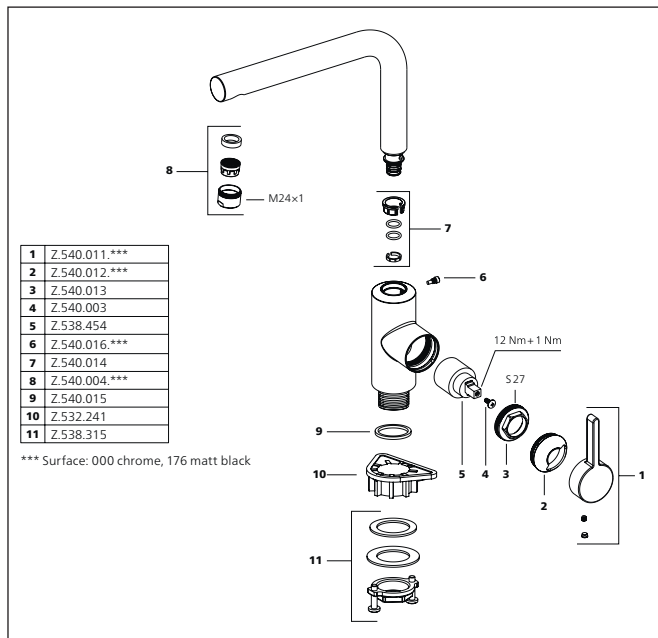


SAP Number	Article Number
chromeline, A 210, flexible connection hoses 3/8"	
125574	10.541.012.000FL
matt black, A 210, flexible connection hoses 3/8"	
125575	10.541.012.176FL

FIT Lever mixer – Kitchen

- Lever mixer
- Lever installation only possible on the right side
 - Child safety: cold water flow in lever position towards the front
- gap between wall and centre of mounting hole min. 25 mm
- Swivel spout 150°
 - Neoperl® Cascade® SLC
- OptimalSpace - ample space for washing or working
- KWC cartridge M 35 S
 - with ceramic discs
 - flow rate and temperature continuously variable
 - temperature limitation
- QuickInstallation
 - Fastening via threaded connection with locking screws
- Mounting hole size ø35 mm

Flow rate 7.6 l/min (3 bar)
Acoustic group I

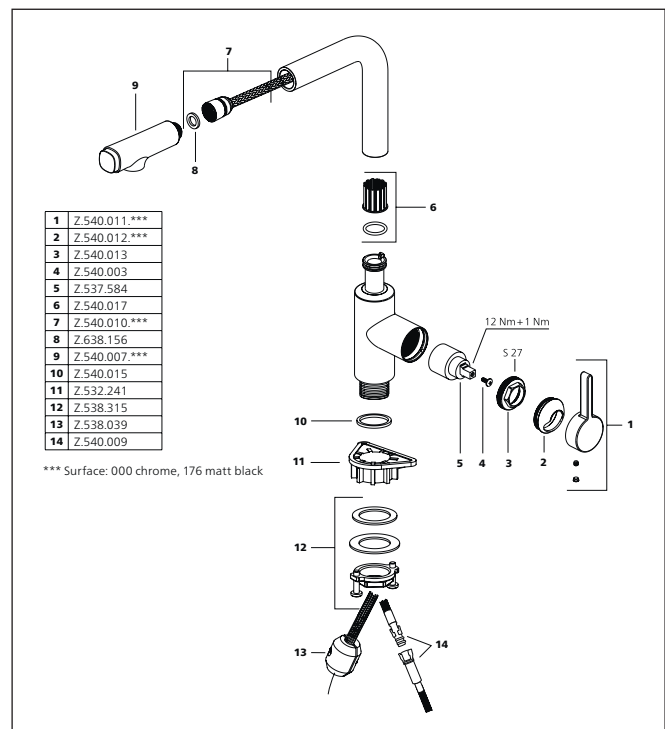


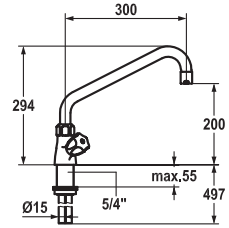
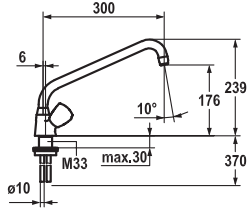
SAP Number	Article Number
chromeline, A 210, flexible connection hoses 3/8"	
125576	10.541.002.000FL
matt black, A 210, flexible connection hoses 3/8"	
125577	10.541.002.176FL

FIT Lever mixer – Kitchen

- Lever mixer
- Lever installation only possible on the right side
 - Child safety: cold water flow in lever position towards the front
- gap between wall and centre of mounting hole min. 25 mm
- Intrinsically safe against backflow
- Pull-out spray
 - up to 500 mm pull-out length
 - QuickConnect - Simple hose connection system
- Hose guide, swivelling 120°
- EasyLock - a pull-out spray that easily slides back into place
- OptimalSpace - ample space for washing or working
- KWC cartridge M 35 S
 - with ceramic discs
 - flow rate and temperature continuously variable
 - temperature limitation
- QuickInstallation
 - Fastening via threaded connection with locking screws
- Mounting hole size ø35 mm

Flow rate normal spray 6.5 l/min (3 bar)
Flow rate needle spray 6.5 l/min (3 bar)
Acoustic group I





SAP Number	Article Number
chromeline, A 300	
112159	K.24.41.24.000C02

GASTRO Two-handle mixer - Commercial kitchen

- Two-handle mixer
- KWC CORONA metal handles, removable
- Swivel spout 160°
- Jet regulator
- Flat valves M20 x 1.25
- stainless steel valve seat
- Copper tubes ø10 mm
- Fastening by means of threaded sleeve M33 x 1.5
- Mounting hole size ø35 mm

Flow rate 60 l/min (3bar)
Acoustic group U

SAP Number	Article Number
chromeline, A 300	
100945	K.24.41.04.000C07

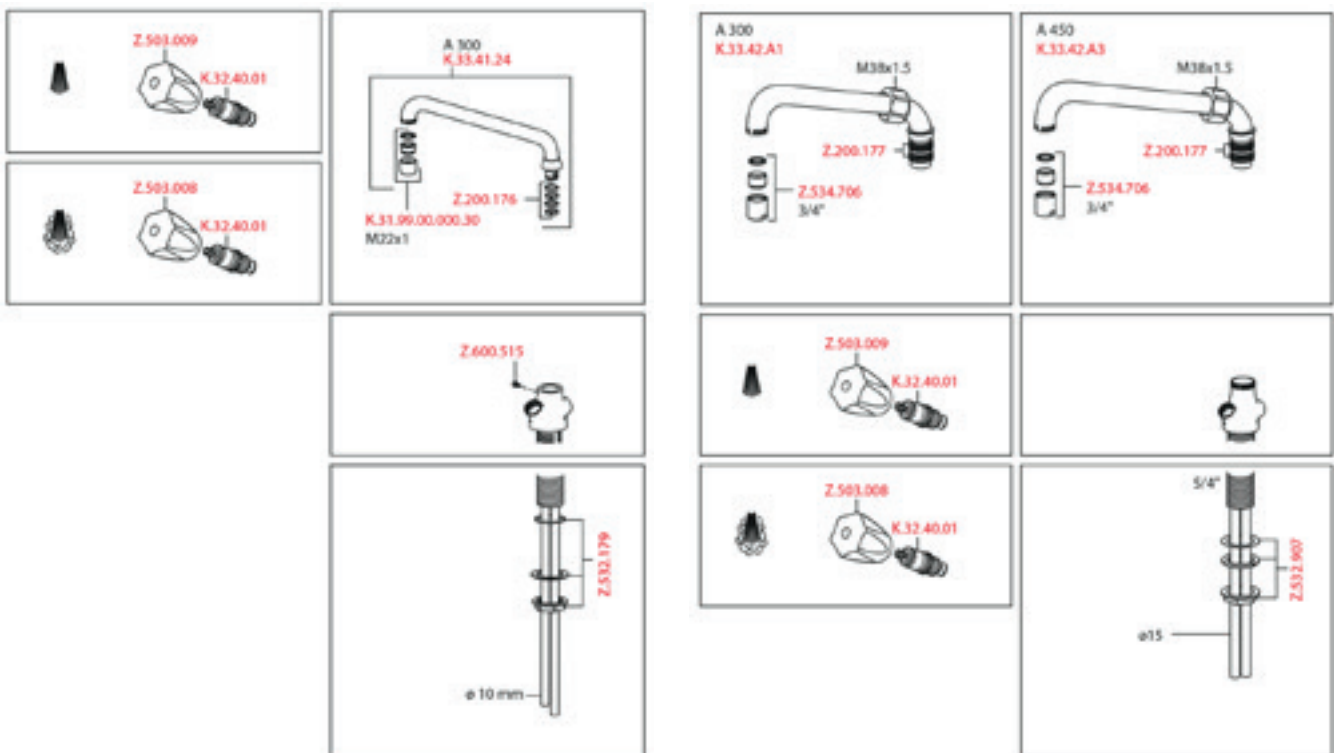
chromeline, A 350	
100946	K.24.41.05.000C07

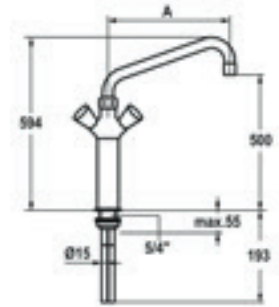
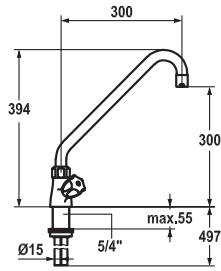
chromeline, A 450	
100947	K.24.41.06.000C07

GASTRO Two-handle mixer - Commercial kitchen

- Two-handle mixer
- KWC CORONA metal handles, removable
- Swivel spout 360°
- with adjustable gland
- Jet regulator
- OptimalSpace - ample space for washing or working
- Flat valves M20 x 1.25
- stainless steel valve seat
- Copper tubes ø15 mm
- Fastening by means of threaded sleeve 1 1/4"
- Mounting hole size ø42 mm

Flow rate 65 l/min (3bar)
Acoustic group 2





SAP Number	Article Number
chromiline, A 300, B 300, C 394	
101755	K.24.41.A2.000C07

GASTRO Two-handle mixer

- Two-handle mixer
- KWC CORONA metal handles, removable
- Swivel spout 360°
- with adjustable gland
- Jet regulator
- OptimalSpace - ample space for washing or working
- Flat valves M20 x 1.25
- stainless steel valve seat
- Copper tubes $\varnothing 15$ mm
- Fastening by means of threaded sleeve 1 1/4"
- Mounting hole size $\varnothing 42$ mm

Flow rate 98 l/min (3 bar)
Acoustic group U

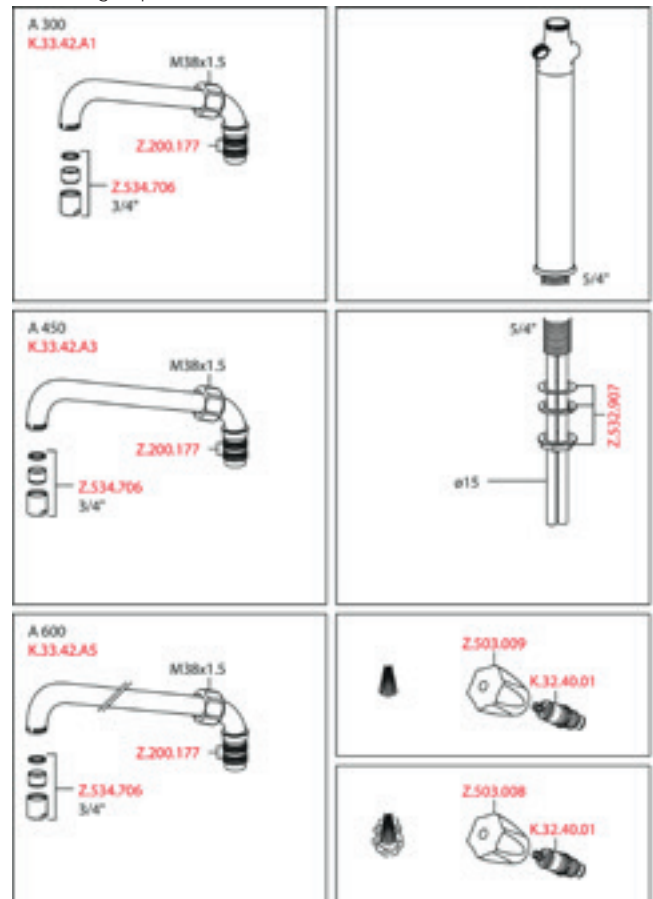
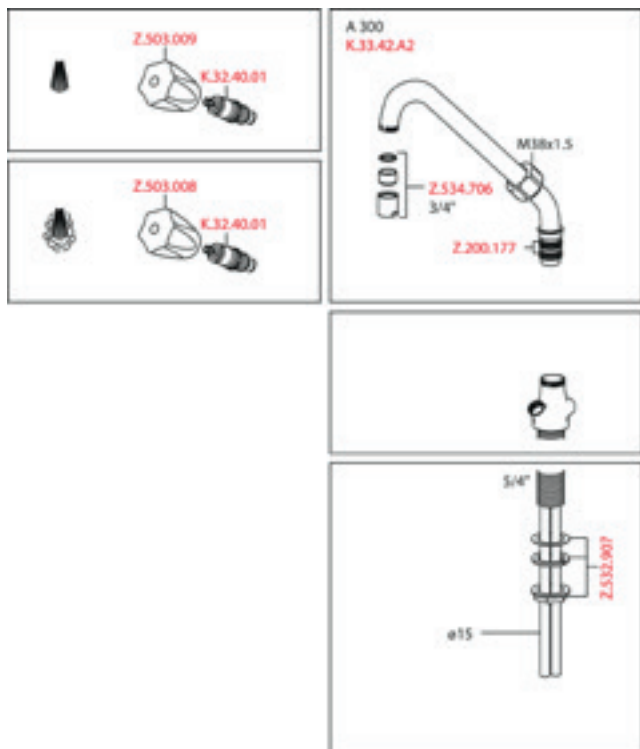
SAP Number	Article Number
chromiline, A 300	
112149	K.24.41.20.000C07

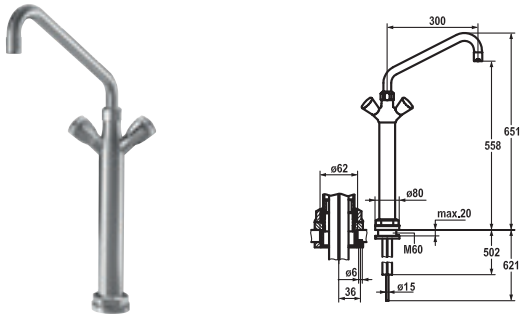
chromiline, A 450	
112150	K.24.41.21.000C07

chromiline, A 600	
112151	K.24.41.22.000C07

- Two-handle mixer
- Pillar 300 mm
- KWC CORONA metal handles, removable
- Swivel spout 360°
- with adjustable gland
- Jet regulator
- OptimalSpace - ample space for washing or working
- Flat valves M20 x 1.25
- stainless steel valve seat
- Copper tubes $\varnothing 15$ mm
- Fastening by means of threaded sleeve 1 1/4"
- Mounting hole size $\varnothing 42$ mm

Flow rate 98 l/min (3 bar)
Acoustic group U





SAP Number	Article Number
chromeline, A 300 100931	K.24.41.32.000C07
chromeline, A 450 100933	K.24.41.34.000C07

GASTRO Two-handle mixer - Commercial kitchen

- Two-handle mixer
- Pillar 300 mm
- KWC CORONA metal handles, removable
- Automatic outlet draining
- Preassembled socket
- Swivel spout 360°
 - with adjustable gland
 - Jet regulator
- OptimalSpace - ample space for washing or working
- Flat valves M20 x 1.25
 - stainless steel valve seat
- Copper tubes ø15 mm
- Mounting hole size ø62 mm

Flow rate 60 l/min (3bar)
Acoustic group U

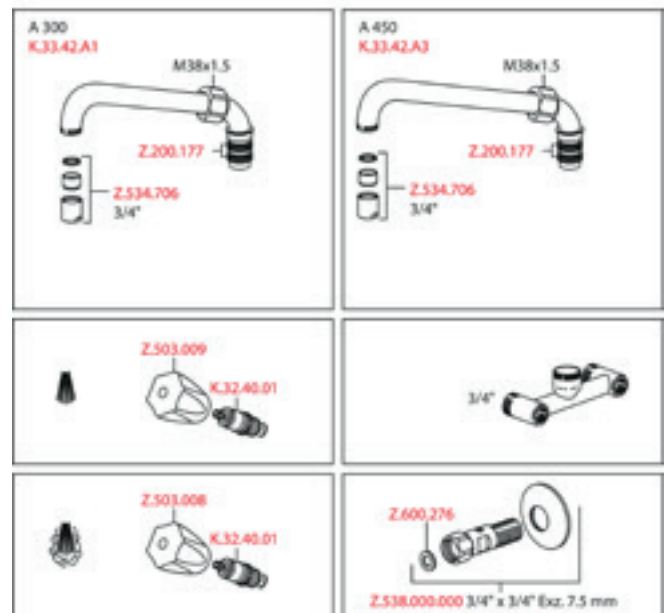
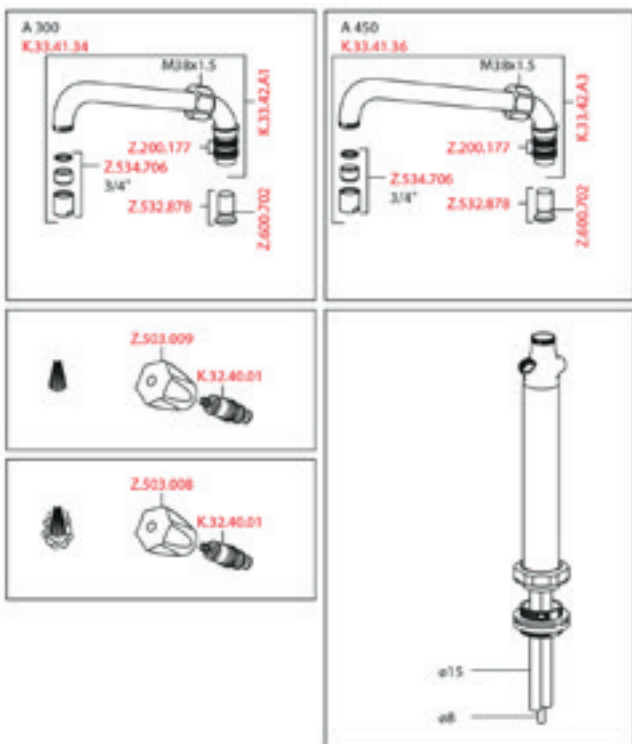


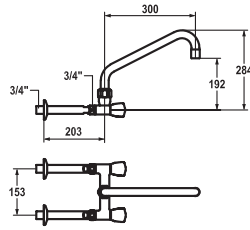
SAP Number	Article Number
chromeline, AD 153±15 mm, A 300 118403	K.24.42.21.000C86
chromeline, AD 153±15 mm, A 450 118406	K.24.42.24.000C86

GASTRO Two-handle mixer - Commercial kitchen

- Two-handle mixer
- KWC CORONA metal handles, removable
- Swivel spout
 - with adjustable gland
 - Jet regulator
- OptimalSpace - ample space for washing or working
- Flat valves M20 x 1.25
 - stainless steel valve seat
- Wall connections 3/4" x 3/4", with shut-off valve L 40 eccentric 7.5 mm

Flow rate 120 l/min (3 bar)
Acoustic group U



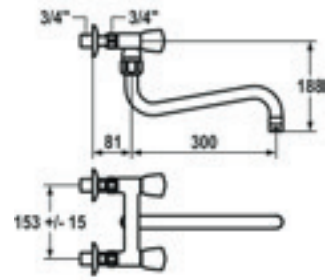


SAP Number	Article Number
chromeline, AD 153, A 300	
118404	K.24.42.22.000C74

GASTRO Two-handle mixer - Commercial kitchen

- Two-handle mixer
- KWC CORONA metal handles, removable
- Swivel spout
 - with adjustable gland
 - Jet regulator
- OptimalSpace - ample space for washing or working
- Flat valves M20 x 1.25
 - stainless steel valve seat
- Wall connections 3/4" x 3/4", without shut-off valve L 160

Flow rate 120 l/min (3 bar)
Acoustic group U



SAP Number	Article Number
chromeline, AD 153±15 mm, A 300	
118391	K.24.42.11.000C86

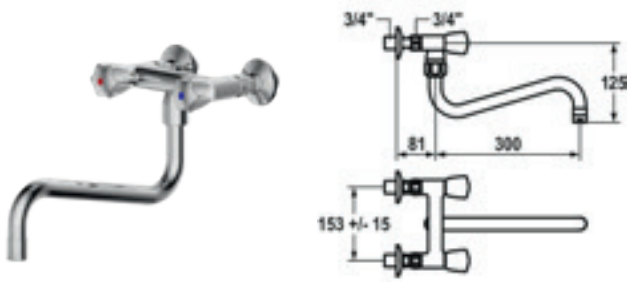
GASTRO Two-handle mixer

- Two-handle mixer
- KWC CORONA metal handles, removable
- Swivel spout
 - with adjustable gland
 - Jet regulator
- OptimalSpace - ample space for washing or working
- Flat valves M20 x 1.25
 - stainless steel valve seat
- Wall connections 3/4" x 3/4", with shut-off valve L 40 eccentric 7.5 mm

Flow rate 120 l/min (3 bar)
Acoustic group U

Faucets for the kitchen





SAP Number	Article Number
chromeline, AD 153±15 mm, A 300 124036	K.24.42.13.000C86

GASTRO Two-handle mixer

- Two-handle mixer
- KWC CORONA metal handles, removable
- Swivel spout
 - with adjustable gland
 - Jet regulator
- OptimalSpace - ample space for washing or working
- Flat valves M20 x 1.25
 - stainless steel valve seat
- Wall connections 3/4" x 3/4", with shut-off valve L 40 eccentric 7.5 mm

Flow rate 120 l/min (3 bar)
Acoustic group U



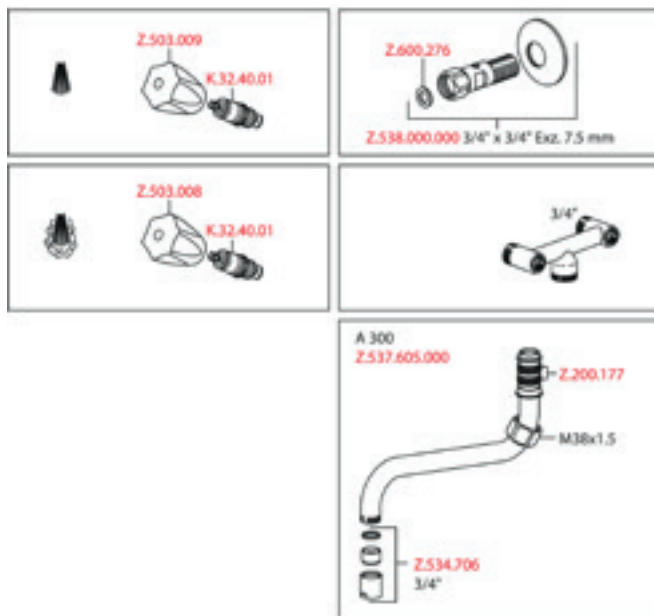
SAP Number	Article Number
chromeline, AD 153±15 mm, G 3/4" 118397	K.24.42.17.000C86

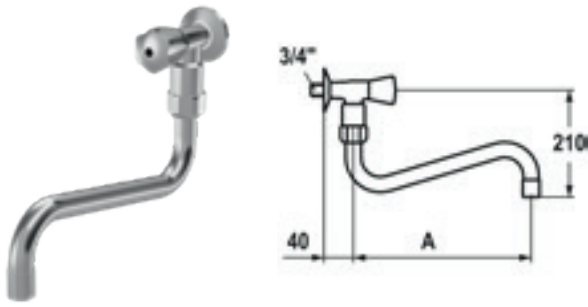
chromeline, AD 153±15 mm, G 3/4" x DN 20 118399	K.24.42.18.000C86
---	-------------------

GASTRO Two-handle mixer

- Two-handle mixer
- KWC CORONA metal handles, removable
- Intrinsically safe against backflow
- Threaded outlet for hose connection
- OptimalSpace - ample space for washing or working
- Flat valves M20 x 1.25
 - stainless steel valve seat
- Wall connections 3/4" x 3/4", with shut-off valve L 40 eccentric 7.5 mm

Flow rate 92.5 l/min (3bar)
Acoustic group U





SAP Number	Article Number
chromeline, A 300 100916	K.25.40.14.000C35
chromeline, A 450 100917	K.25.40.16.000C35

GASTRO Wall mounted valve

- Wall mounted valve
- KWC CORONA metal handle, removable (cold water)
- Swivel spout
 - with adjustable gland
 - Jet regulator
- OptimalSpace - ample space for washing or working
- Flat valves M20 x 1.25
 - stainless steel valve seat
- Connecting thread 3/4"

Flow rate 86 l/min (3bar)
Acoustic group U



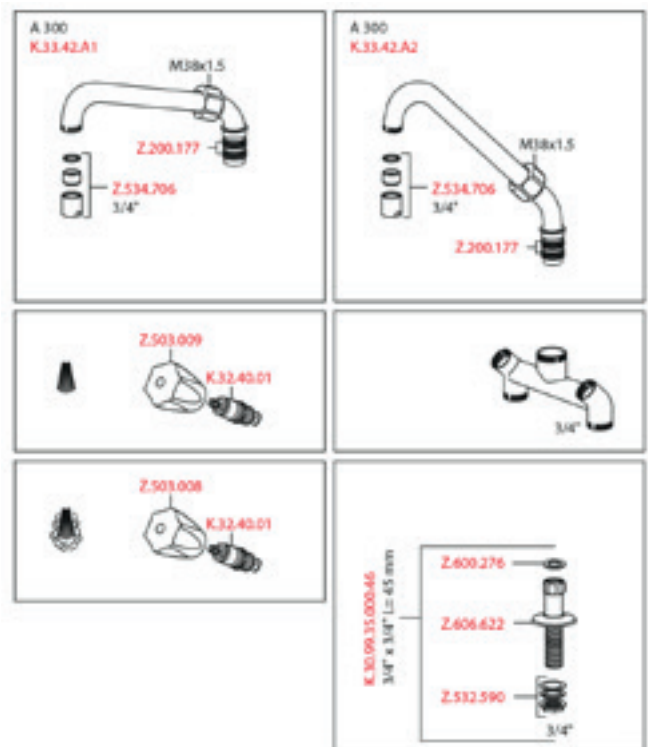
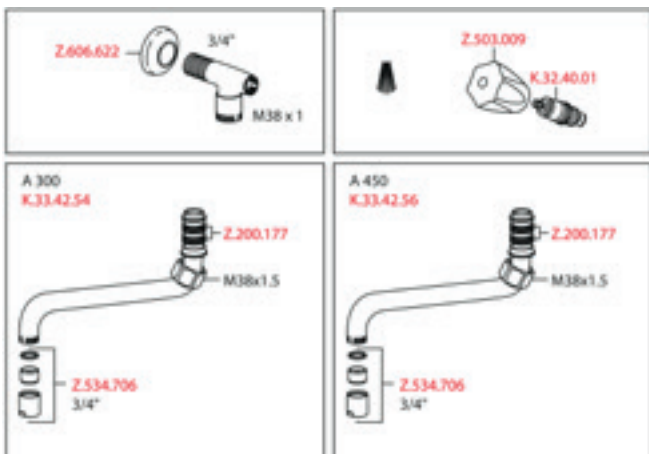
SAP Number	Article Number
chromeline, AD 153, A 300, B 252, C 345 118411	K.24.42.41.000C74
chromeline, AD 153, A 300, B 356, C 449 118412	K.24.42.42.000C74

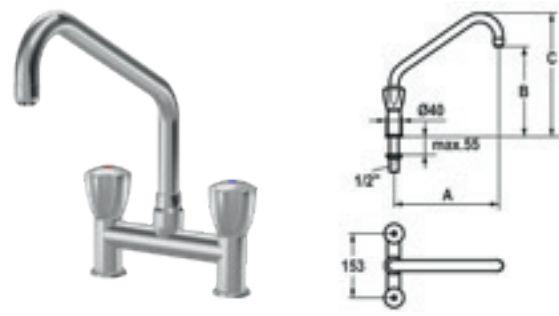
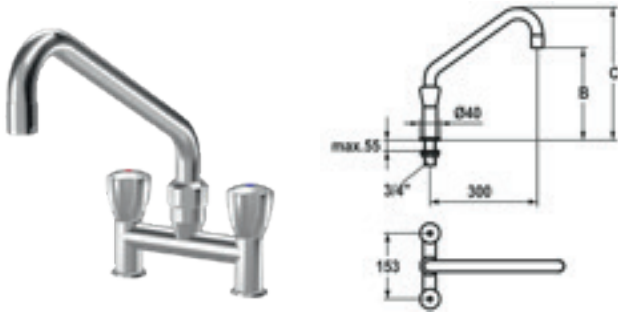
GASTRO Two-handle mixer - Commercial kitchen

- Two-handle mixer
- KWC CORONA metal handles, removable
- Swivel spout 360°
 - with adjustable gland
 - Jet regulator
- OptimalSpace - ample space for washing or working
- Flat valves M20 x 1.25
 - stainless steel valve seat
- Pillar connections 3/4" x 3/4" L 45
- Mounting hole size ø28 mm

Flow rate 120 l/min (3 bar)
Acoustic group U

Faucets for the kitchen





SAP Number	Article Number
chromline, AD 153, A 300, B 210 105822	K.24.42.E4.000C35
chromline, AD 153, A 300, B 210, C 305 105823	K.24.42.E1.000C35
chromline, AD 153, A 300, B 315, C 410 105824	K.24.42.E2.000C35
chromline, AD 153, A 300, B 440 105825	K.24.42.E3.000C35

SAP Number	Article Number
chromline, AD 153, A 250, B 215, C 297 105829	K.24.42.K1.000C34
chromline, AD 153, A 250, B 310, C 392 105826	K.24.42..000C34
chromline, AD 153, A 350, B 215, C 297 105828	K.24.42.K5.000C34

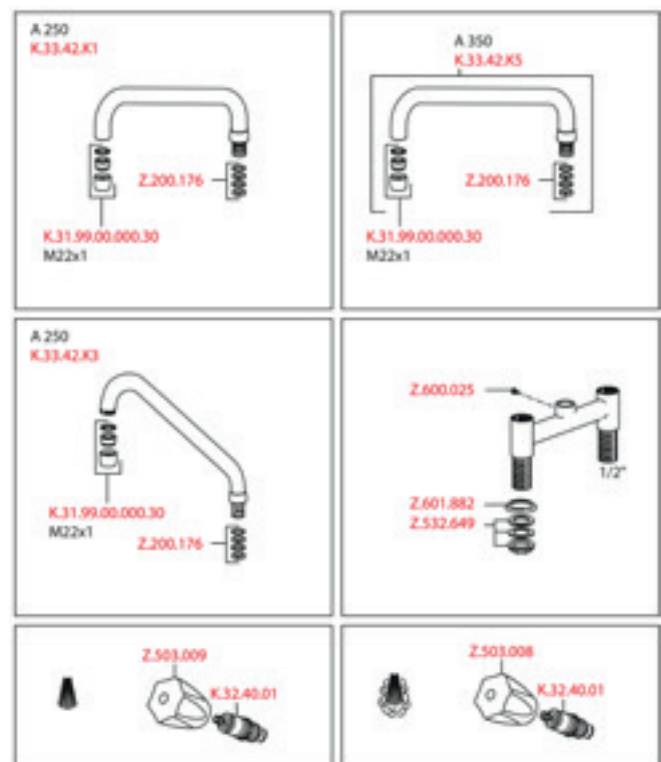
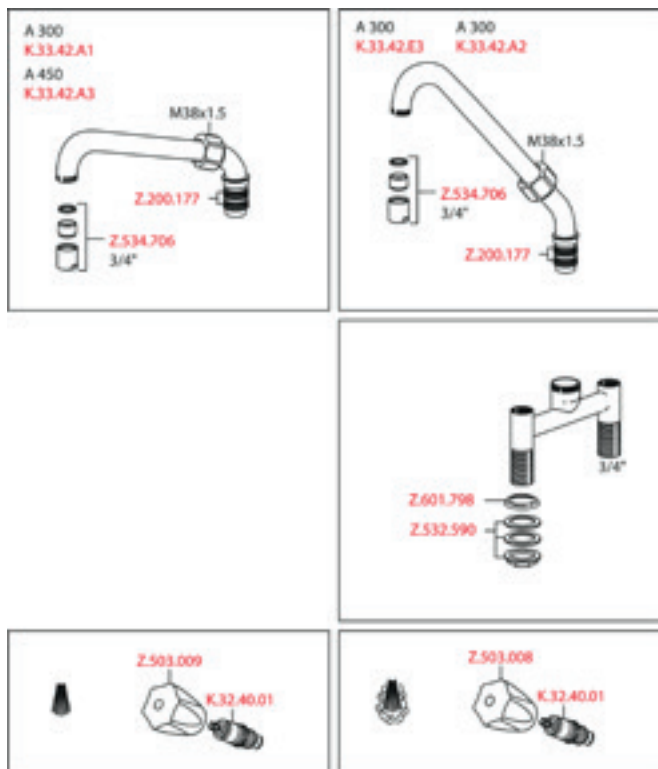
GASTRO Two-handle mixer - Commercial kitchen

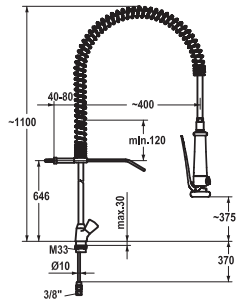
- Two-handle mixer
- KWC CORONA metal handles, removable
- Swivel spout 360°
 - with adjustable gland
 - Jet regulator
- OptimalSpace - ample space for washing or working
- Flat valves M20 x 1.25
 - stainless steel valve seat
- Connecting thread 3/4"
- Mounting hole size ø28 mm

GASTRO Two-handle mixer

- Two-handle mixer
- KWC CORONA metal handles, removable
- Swivel spout 180°
 - Jet regulator
- OptimalSpace - ample space for washing or working
- Flat valves M20 x 1.25
 - stainless steel valve seat
- Connecting thread 1/2"
- Mounting hole size ø22 mm

Flow rate 88 l/min (3bar)
Acoustic group U





SAP Number	Article Number
chromeline 100962	K.24.41.60.000C06

GASTRO Two-handle mixer - Commercial kitchen

- Two-handle mixer
- Suspension spring
- KWC CORONA metal handles, removable
- TouchProtect
 - anti-scald protection thanks to the "double skin" principle
- Intrinsically safe against backflow
- Pre-rinse spray
 - with integrated delayed closing device to minimize water hammer with valve maintenance unit for cleaning
 - SprayClean
 - easy to clean and actively prevents limescale buildup
 - SprayLock - lockable jet spray
 - PowerClean - needle spray mode
- OptimalSpace - ample space for washing or working

- Flat valves M20 x 1.25
 - stainless steel valve seat
- Copper tubes ø10 mm
- Fastening by means of threaded sleeve M33 x 1.5
- Mounting hole size ø35 mm

Spray: Flow rate 15 l/min (3 bar)
Acoustic group I

Z.503.009
K.32.40.01

Z.503.008
K.32.40.01

Z.502.844.700
 L 1075 mm
Z.633.570
Z.534.714.700

Z.536.530.145
Z.601.434
Z.536.525
Z.536.526
Z.636.634
Z.636.518
Z.536.527

Z.503.818
 ø 20.5 mm
 L = 731 mm
Z.600.529

Z.600.515

Z.500.899
 ø10mm x 3/8"

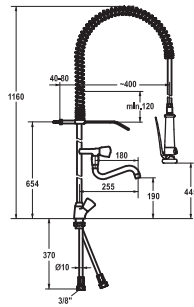
Z.634.116
 - 10/2017

Z.638.391
 11/2017 -

Z.500.897
 L = 60 mm, M12

Z.505.221
 L = 90 mm, M12

Z.506.019
Z.538.106



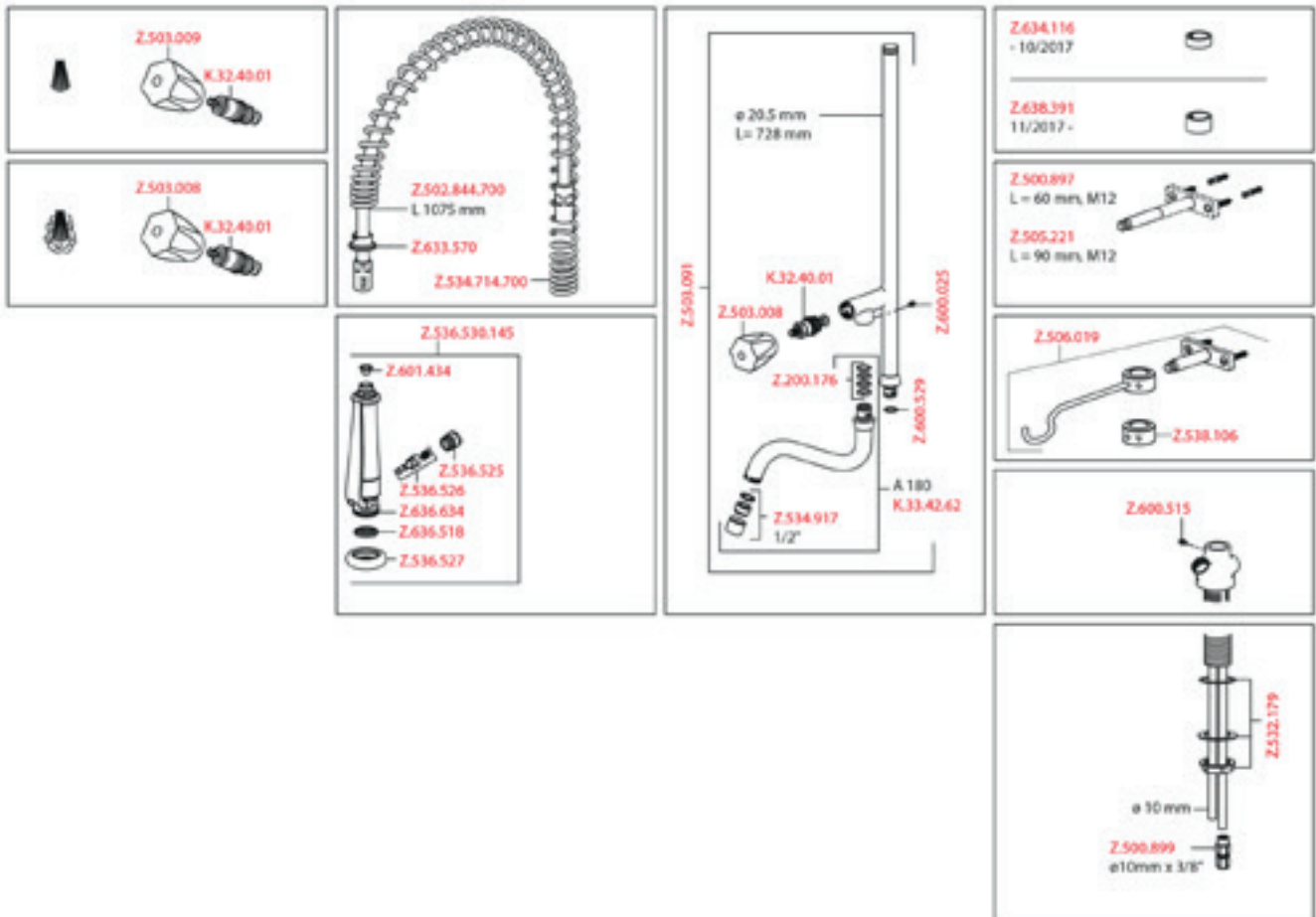
SAP Number	Article Number
chromeline, A 180	
105093	K.24.41.61.000C06

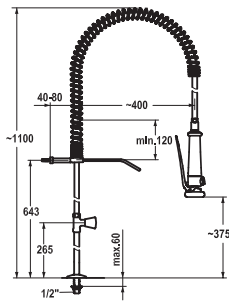
GASTRO Two-handle mixer - Commercial kitchen

- Two-handle mixer
- Suspension spring
- KWC CORONA metal handles, removable
- TouchProtect
 - anti-scald protection thanks to the "double skin" principle
- Intrinsically safe against backflow
- Swivel spout 180°
 - Jet regulator
- Pre-rinse spray
 - with integrated delayed closing device to minimize water hammer with valve maintenance unit for cleaning
 - SprayClean
 - easy to clean and actively prevents limescale buildup
 - SprayLock - lockable jet spray
 - PowerClean - needle spray mode

- OptimalSpace - ample space for washing or working
- Flat valves M20 x 1.25
 - stainless steel valve seat
- Copper tubes ø10 mm
- Fastening by means of threaded sleeve M33 x 1.5
- Mounting hole size ø35 mm

Flow rate 41 l/min (3 bar)
 Spray: Flow rate 15 l/min (3 bar)
 Acoustic group 2





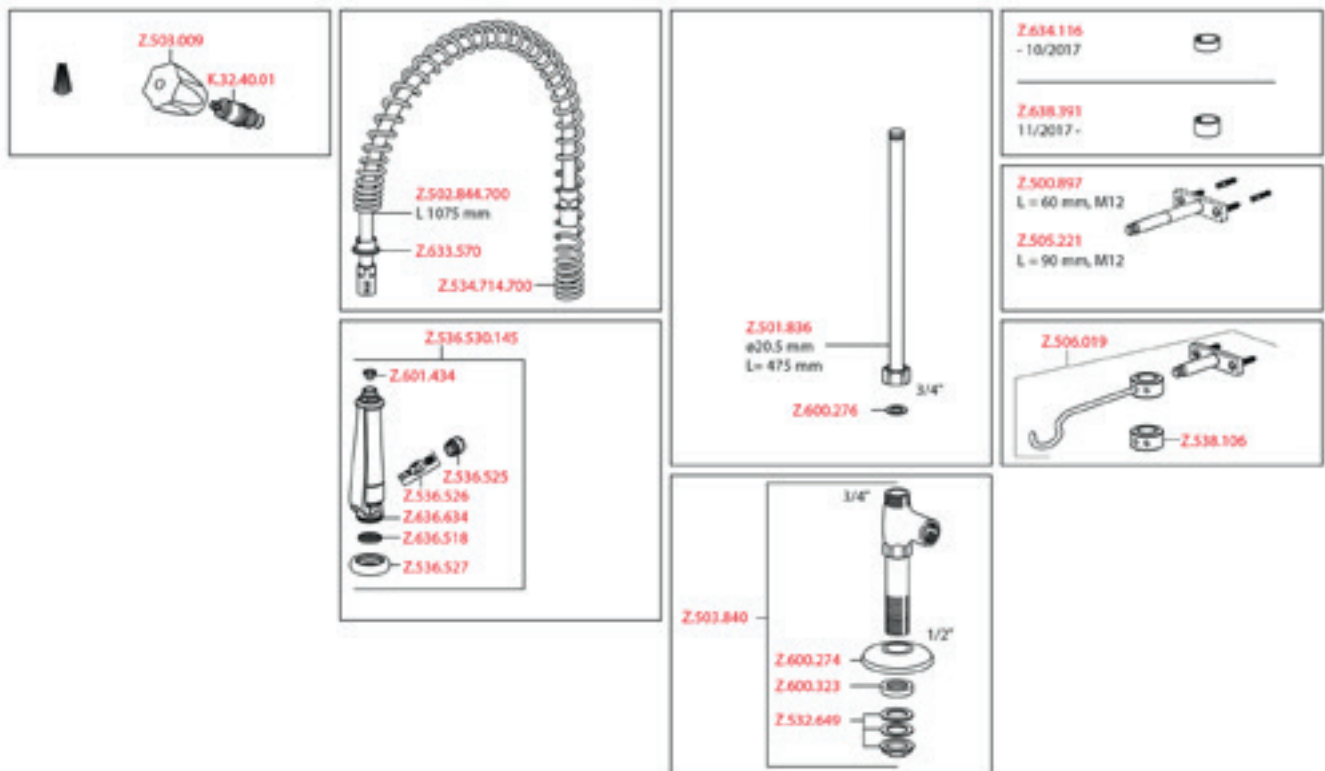
SAP Number	Article Number
chromeline 100960	K.24.40.60.000C34

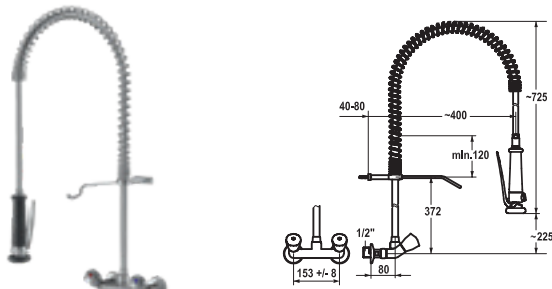
GASTRO Commercial kitchen - Vertical shut-off valve

- Vertical shut-off valve
- Suspension spring
- KWC CORONA metal handle, removable (cold water)
- TouchProtect
 - anti-scald protection thanks to the "double skin" principle
- Pre-rinse spray
 - with integrated delayed closing device to minimize water hammer with valve maintenance unit for cleaning
 - SprayClean
 - easy to clean and actively prevents limescale buildup
 - SprayLock - lockable jet spray
 - PowerClean - needle spray mode

- OptimalSpace - ample space for washing or working
- Flat valves M20 x 1.25
 - stainless steel valve seat
- Connecting thread 1/2"
- Mounting hole size ø22 mm

Spray: Flow rate 15 l/min (3 bar)
Acoustic group I





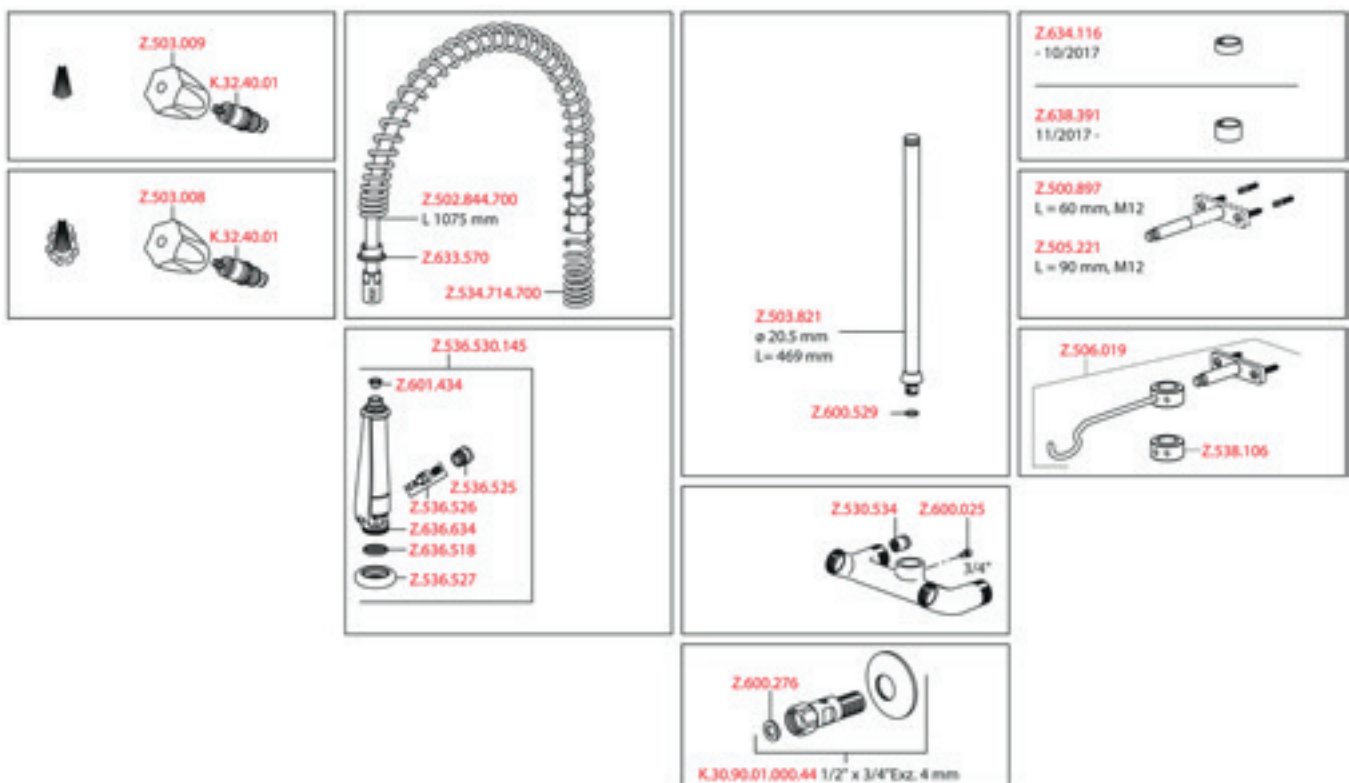
SAP Number	Article Number
chromeline, AD 153 +/- 8 mm	
100456	K.24.42.70.000C78

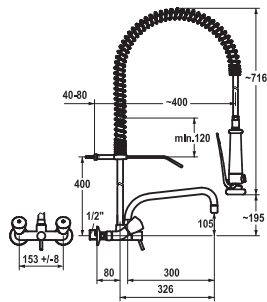
GASTRO Two-handle mixer - Commercial kitchen

- Two-handle mixer
- Suspension spring
- KWC CORONA metal handles, removable
- TouchProtect
 - anti-scald protection thanks to the "double skin" principle
- Intrinsically safe against backflow
- Pre-rinse spray
 - with integrated delayed closing device to minimize water hammer with valve maintenance unit for cleaning
 - SprayClean
 - easy to clean and actively prevents limescale buildup
 - SprayLock - lockable jet spray
 - PowerClean - needle spray mode

- OptimalSpace - ample space for washing or working
- Flat valves M20 x 1.25
 - stainless steel valve seat
- Wall connections 1/2" x 3/4", with shut-off valve L 40 eccentric 4 mm

Spray: Flow rate 15 l/min (3 bar)
Acoustic group I





SAP Number	Article Number
chromeline, AD 153 +/- 8 mm, A 300	
100448	K.24.42.74.000C78

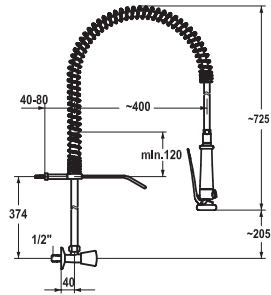
GASTRO Two-handle mixer

- Two-handle mixer
- Suspension spring
- KWC CORONA metal handles, removable
- TouchProtect
 - anti-scald protection thanks to the "double skin" principle
- Intrinsically safe against backflow
- Swivel spout 180°
 - Jet regulator
- Pre-rinse spray
 - with integrated delayed closing device to minimize water hammer with valve maintenance unit for cleaning
 - SprayClean
 - easy to clean and actively prevents limescale buildup
 - SprayLock - lockable jet spray
 - PowerClean - needle spray mode

- OptimalSpace - ample space for washing or working
- Flat valves M20 x 1.25
 - stainless steel valve seat
- Wall connections 1/2" x 3/4", with shut-off valve L 40 eccentric 4 mm

Flow rate 33 l/min (3 bar)
 Spray: Flow rate 15 l/min (3 bar)
 Acoustic group U

<p>Z.503.009</p> <p>K.32.40.01</p>	<p>Z.502.844.700</p> <p>L 1075 mm</p> <p>Z.633.570</p> <p>Z.534.714.700</p>	<p>Z.634.116</p> <p>- 10/2017</p> <p>Z.638.391</p> <p>11/2017 -</p>
<p>Z.501.008</p> <p>K.32.40.01</p>	<p>Z.536.530.145</p> <p>Z.601.A34</p> <p>Z.536.525</p> <p>Z.536.526</p> <p>Z.636.634</p> <p>Z.636.518</p> <p>Z.536.527</p>	<p>Z.500.897</p> <p>L = 60 mm, M12</p> <p>Z.505.221</p> <p>L = 90 mm, M12</p>
<p>Z.536.530.145</p> <p>Z.601.A34</p> <p>Z.536.525</p> <p>Z.536.526</p> <p>Z.636.634</p> <p>Z.636.518</p> <p>Z.536.527</p>	<p>Z.530.534</p> <p>Z.600.025</p> <p>3/4"</p>	<p>Z.506.019</p> <p>Z.538.106</p>
<p>A 300</p> <p>Z.535.424</p> <p>Z.200.176</p> <p>K.31.99.00.000.30</p> <p>M22x1</p>	<p>Z.634.783</p> <p>Z.501.297</p> <p>Z.631.222</p>	<p>Z.600.276</p> <p>K.30.90.01.000.44 1/2" x 3/4" Exz. 4 mm</p>



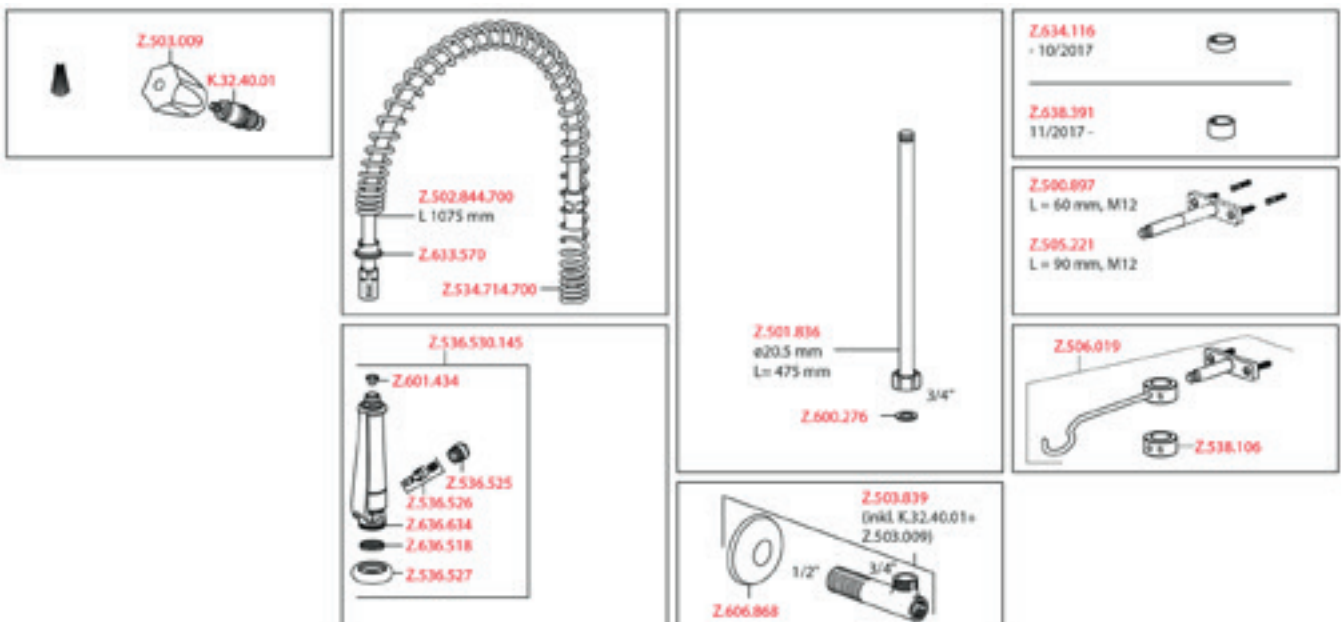
SAP Number	Article Number
chromeline 100961	K.24.40.70.000C34

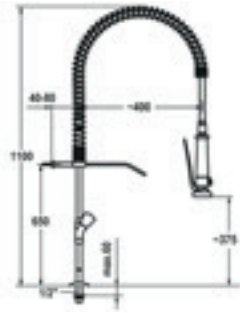
GASTRO Commercial kitchen - Wall mounted valve

- Wall mounted valve
- Suspension spring
- KWC CORONA metal handle, removable (cold water)
- TouchProtect
 - anti-scald protection thanks to the "double skin" principle
- Pre-rinse spray
 - with integrated delayed closing device to minimize water hammer with valve maintenance unit for cleaning
 - SprayClean
 - easy to clean and actively prevents limescale buildup
 - SprayLock - lockable jet spray
 - PowerClean - needle spray mode

- OptimalSpace - ample space for washing or working
- Flat valves M20 x 1.25
 - stainless steel valve seat
- Connecting thread 1/2"

Spray: Flow rate 15 l/min (3 bar)
Acoustic group I





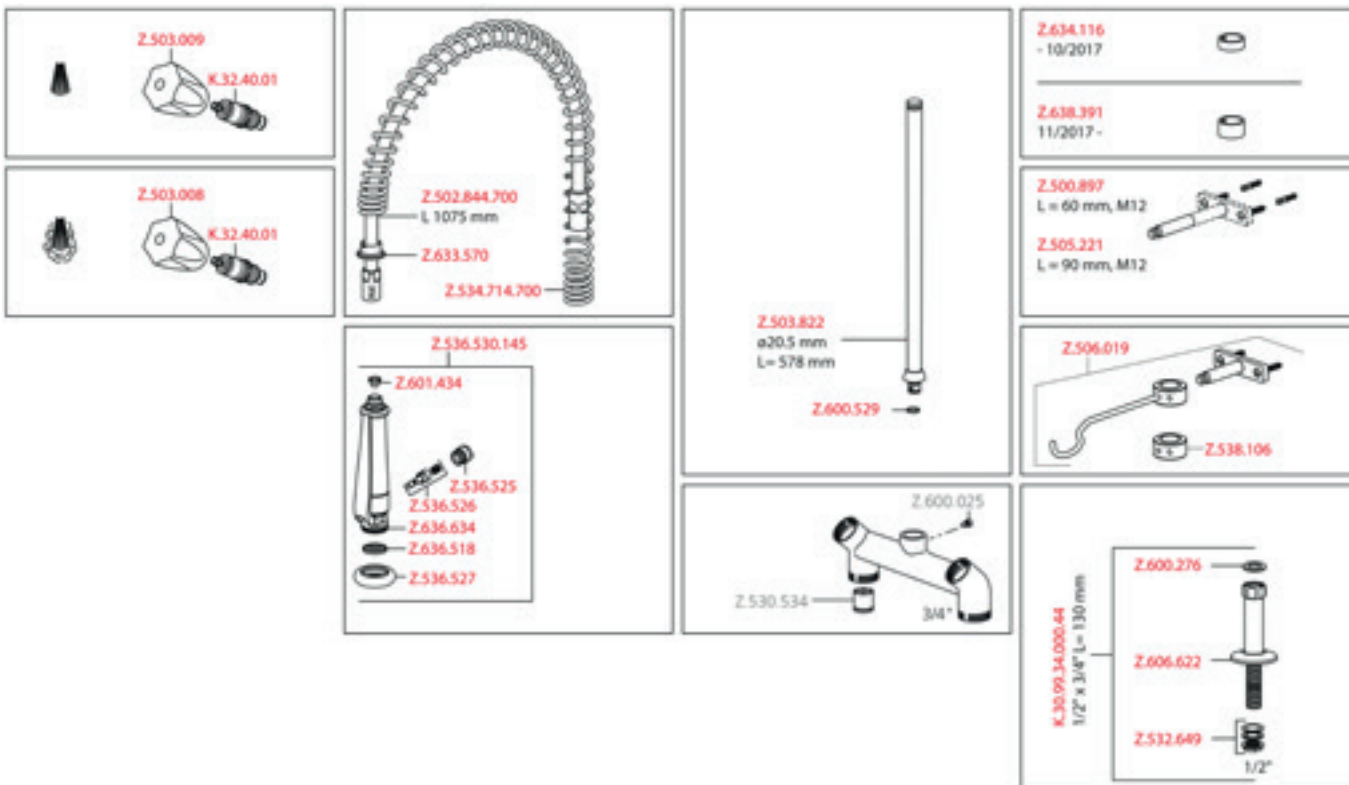
SAP Number	Article Number
chromeline, AD 153	
100964	K.24.42.62.000C71

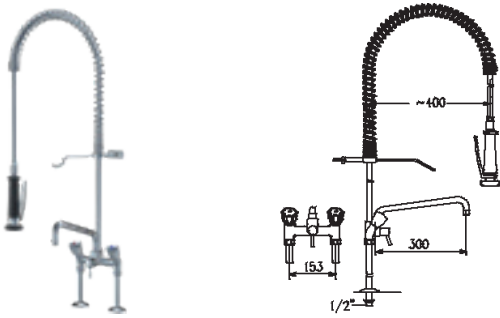
GASTRO Two-handle mixer

- Two-handle mixer
- KWC CORONA metal handles, removable
- TouchProtect
 - anti-scald protection thanks to the "double skin" principle
- Intrinsically safe against backflow
- Pre-rinse spray
 - with integrated delayed closing device to minimize water hammer with valve maintenance unit for cleaning
 - SprayClean
 - easy to clean and actively prevents limescale buildup
 - SprayLock - lockable jet spray
 - PowerClean - needle spray mode

- OptimalSpace - ample space for washing or working
- Flat valves M20 x 1.25
 - stainless steel valve seat
- Pillar connections 1/2" x 3/4" L 130
- Mounting hole size ø22 mm

Spray: Flow rate 15 l/min (3 bar)
Acoustic group I





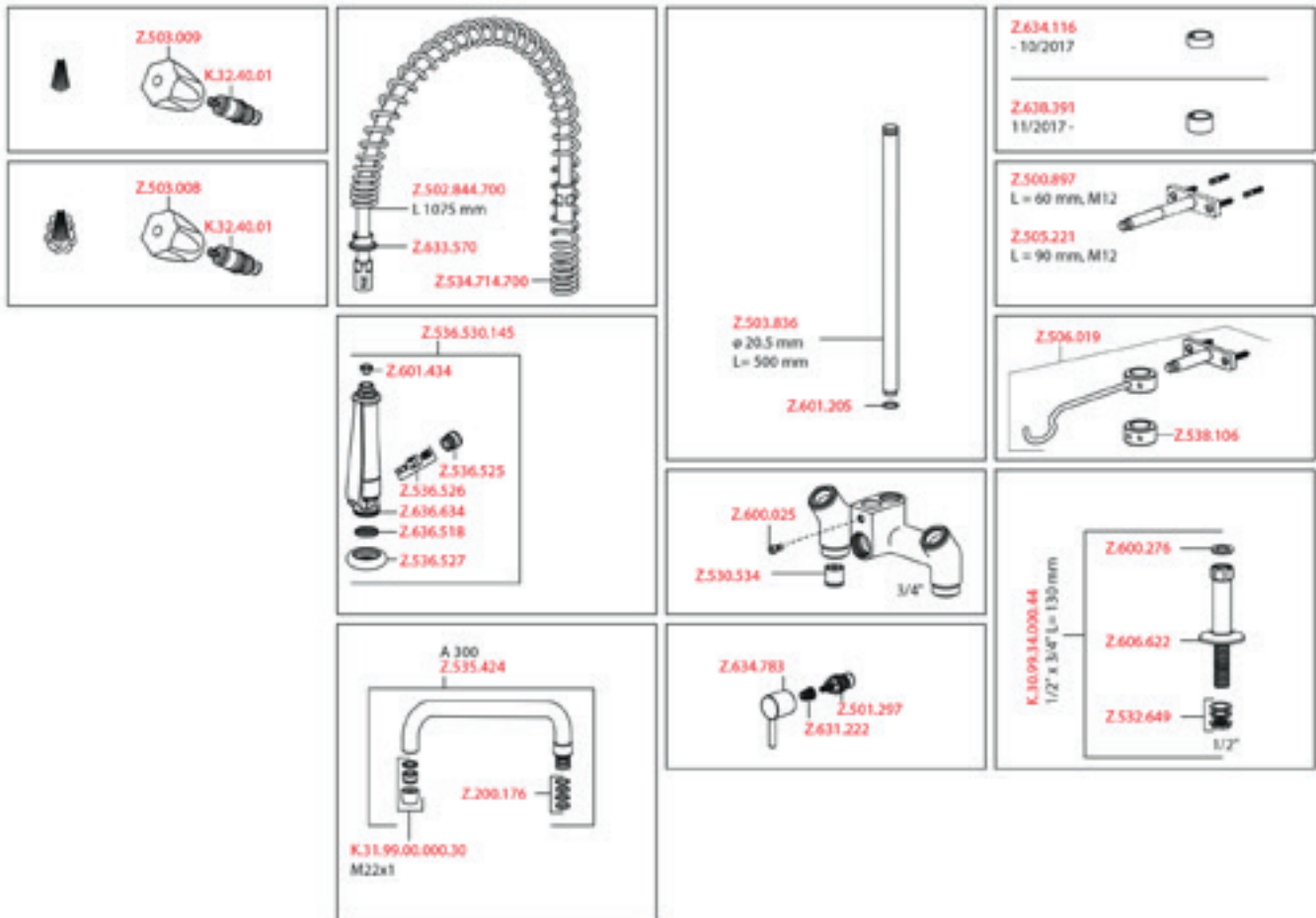
SAP Number	Article Number
chromeline, AD 153, A 300	
100966	K.24.42.64.000C71

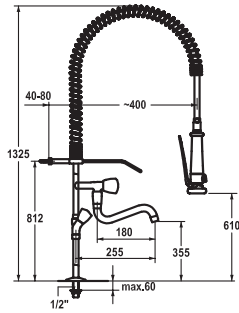
GASTRO Two-handle mixer

- Two-handle mixer
- Suspension spring
- KWC CORONA metal handles, removable
- TouchProtect
 - anti-scald protection thanks to the "double skin" principle
- Intrinsically safe against backflow
- Swivel spout 180°
 - Jet regulator
- Pre-rinse spray
 - with integrated delayed closing device to minimize water hammer with valve maintenance unit for cleaning
 - SprayClean
 - easy to clean and actively prevents limescale buildup
 - SprayLock - lockable jet spray
 - PowerClean - needle spray mode

- OptimalSpace - ample space for washing or working
- Flat valves M20 x 1.25
 - stainless steel valve seat
- Pillar connections 1/2" x 3/4" L 130
- Mounting hole size ø22 mm

Flow rate 33 l/min (3 bar)
 Spray: Flow rate 15 l/min (3 bar)
 Acoustic group U





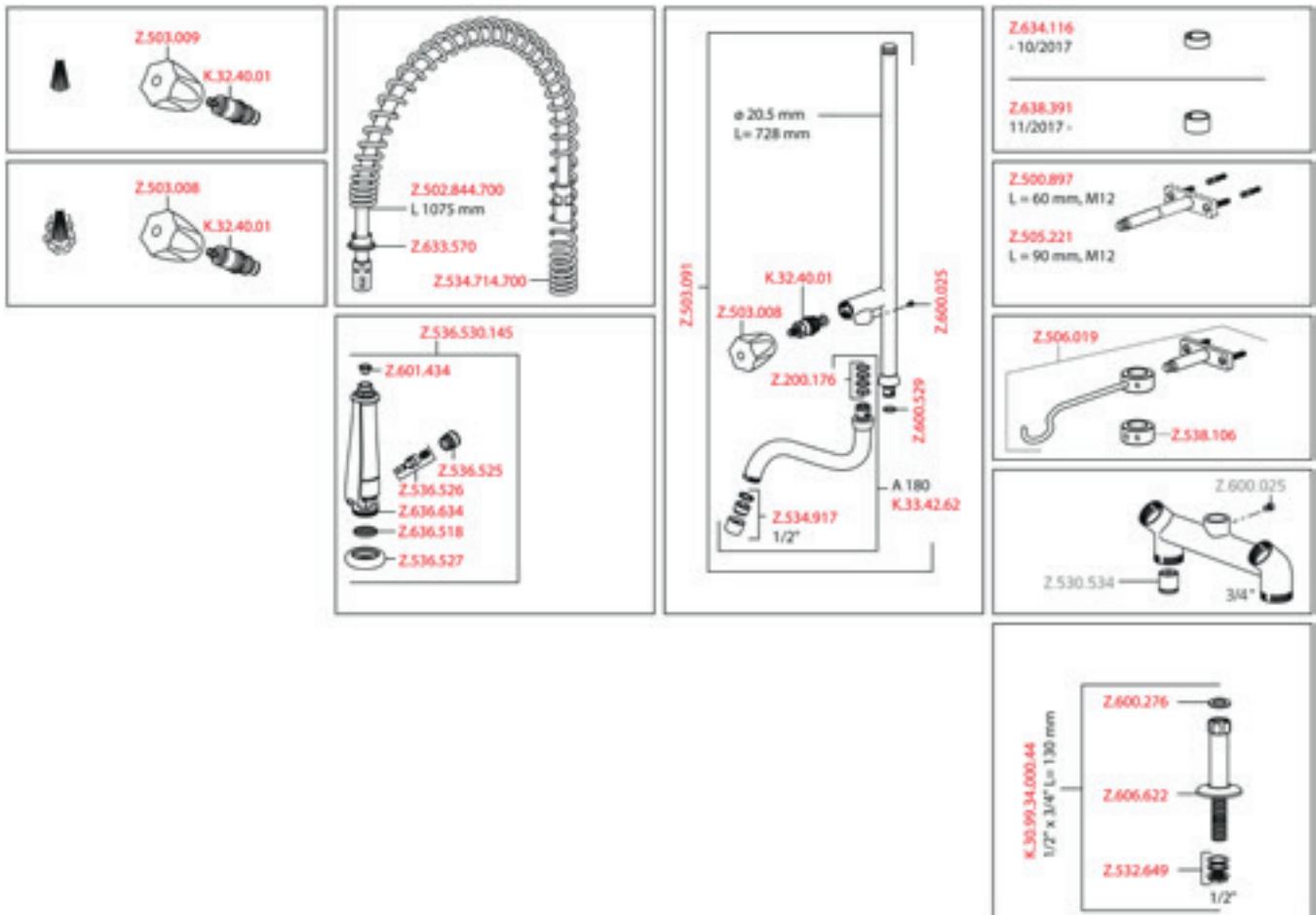
SAP Number	Article Number
chromeline, AD 153, A 180	
112788	K.24.42.61.000C71

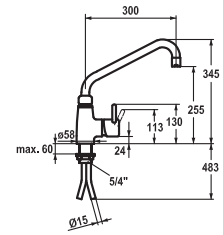
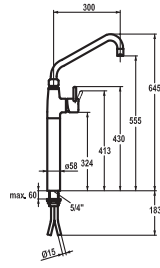
GASTRO Two-handle mixer

- Two-handle mixer
- Suspension spring
- KWC CORONA metal handles, removable
- TouchProtect
 - anti-scald protection thanks to the "double skin" principle
- Intrinsically safe against backflow
- Swivel spout 180°
- Pre-rinse spray
 - with integrated delayed closing device to minimize water hammer with valve maintenance unit for cleaning
 - SprayClean
 - easy to clean and actively prevents limescale buildup
 - SprayLock - lockable jet spray
 - PowerClean - needle spray mode

- OptimalSpace - ample space for washing or working
- Flat valves M20 x 1.25
 - stainless steel valve seat
- Pillar connections 1/2" x 3/4" L 130
- Mounting hole size ø22 mm

Flow rate 33 l/min (3 bar)
 Spray: Flow rate 15 l/min (3 bar)
 Acoustic group U





SAP Number	Article Number
chromeline, A 300 121271	24.501.064.000
chromeline, A 450 121272	24.501.066.000

GASTRO Lever mixer

- Lever mixer
- Pillar 300 mm
- Swivel spout 360°
- with adjustable gland
- Jet regulator
- OptimalSpace - ample space for washing or working
- KWC cartridge XL 46 - high capacity
- with ceramic discs
- flow rate and temperature continuously variable
- temperature limitation
- Copper tubes $\varnothing 15$ mm
- Fastening by means of threaded sleeve 1 1/4"
- Mounting hole size $\varnothing 42$ mm

Flow rate 40 l/min (3 bar)
Acoustic group U

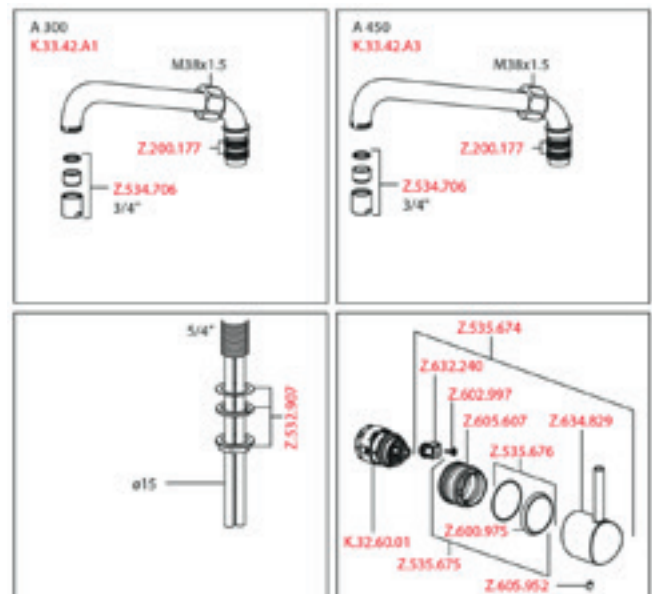
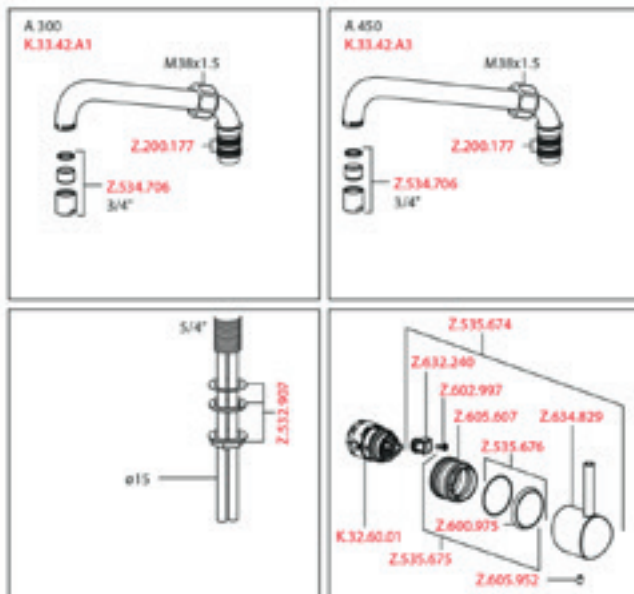


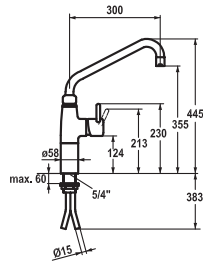
SAP Number	Article Number
chromeline, A 300 121267	24.501.044.000
chromeline, A 450 121268	24.501.046.000

GASTRO Lever mixer - Commercial kitchen

- Lever mixer
- Swivel spout 360°
- with adjustable gland
- Jet regulator
- OptimalSpace - ample space for washing or working
- KWC cartridge XL 46 - high capacity
- with ceramic discs
- flow rate and temperature continuously variable
- temperature limitation
- Copper tubes $\varnothing 15$ mm
- Fastening by means of threaded sleeve 1 1/4"
- Mounting hole size $\varnothing 42$ mm

Flow rate 40 l/min (3 bar)
Acoustic group U



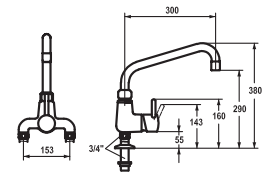


SAP Number	Article Number
chromeline, A 300 121269	24.501.054.000
chromeline, A 450 121270	24.501.056.000

GASTRO Lever mixer - Commercial kitchen

- Lever mixer
- Pillar 100 mm
- Swivel spout 360°
- with adjustable gland
- Jet regulator
- OptimalSpace - ample space for washing or working
- KWC cartridge XL 46 - high capacity
- with ceramic discs
- flow rate and temperature continuously variable
- temperature limitation
- Copper tubes $\varnothing 15$ mm
- Fastening by means of threaded sleeve 1 1/4"
- Mounting hole size $\varnothing 42$ mm

Flow rate 40 l/min (3 bar)
Acoustic group U



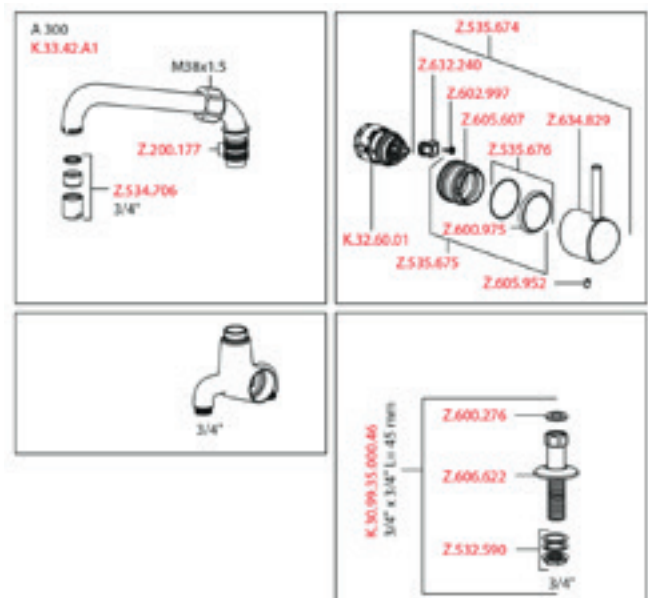
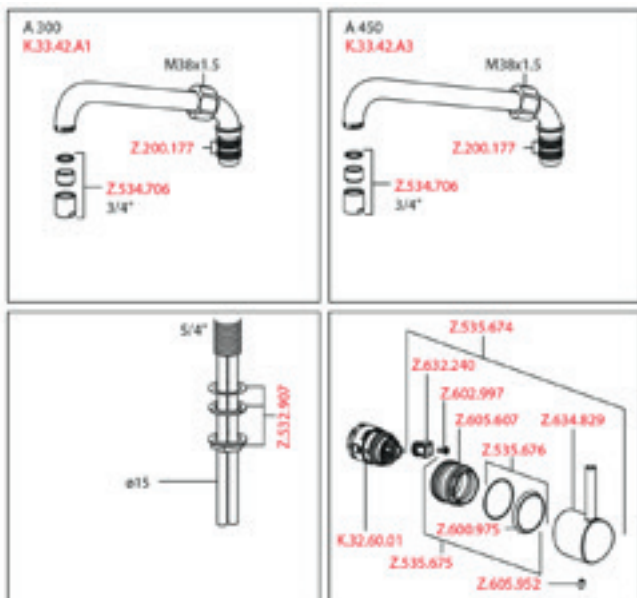
SAP Number	Article Number
chromeline, AD 153, A 300 121299	24.503.174.000

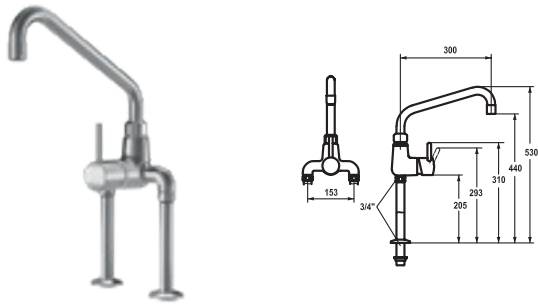
GASTRO Lever mixer - Commercial kitchen

- Lever mixer
- Swivel spout 360°
- with adjustable gland
- Jet regulator
- OptimalSpace - ample space for washing or working
- KWC cartridge XL 46 - high capacity
- with ceramic discs
- flow rate and temperature continuously variable
- temperature limitation
- Pillar connections 3/4" x 3/4" L 45
- Mounting hole size $\varnothing 30$ mm

Flow rate 50 l/min (3 bar)
Acoustic group U

Faucets for the kitchen



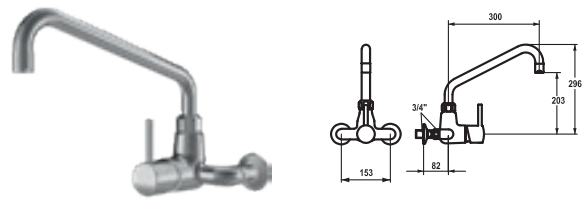


SAP Number	Article Number
chromeline, AD 153, A 300	
121301	24.503.184.000

GASTRO Lever mixer - Commercial kitchen

- Lever mixer
- Swivel spout 360°
 - with adjustable gland
 - Jet regulator
- OptimalSpace - ample space for washing or working
- KWC cartridge XL 46 - high capacity
 - with ceramic discs
 - flow rate and temperature continuously variable
 - temperature limitation
- Pillar connections 3/4" x 3/4" L 195
- Mounting hole size ø30 mm

Flow rate 50 l/min (3 bar)
Acoustic group U



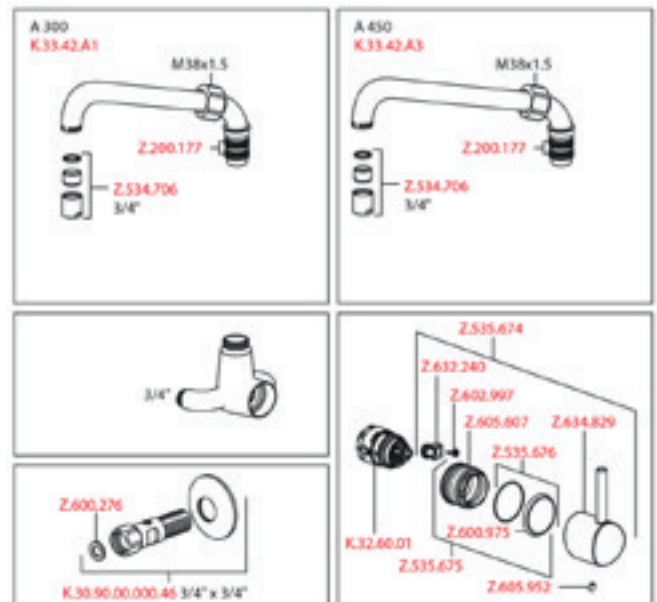
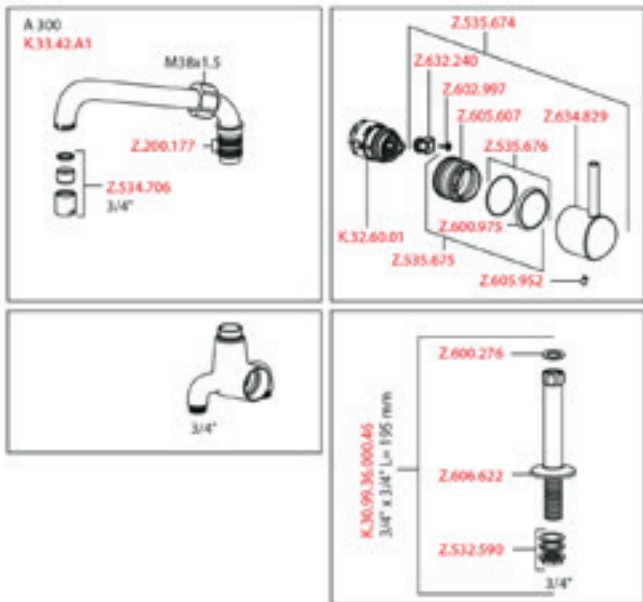
SAP Number	Article Number
chromeline, AD 153 +/- 15mm, A 300	
121287	24.502.194.000

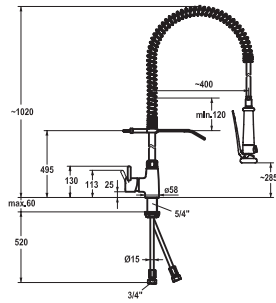
chromeline, AD 153±15 mm, A 450	
121290	24.502.196.000

GASTRO Lever mixer - Commercial kitchen

- Lever mixer
- Swivel spout
 - with adjustable gland
 - Jet regulator
- OptimalSpace - ample space for washing or working
- KWC cartridge XL 46 - high capacity
 - with ceramic discs
 - flow rate and temperature continuously variable
 - temperature limitation
- Wall connections 3/4" x 3/4", with shut-off valve L 40 eccentric 7.5 mm

Flow rate 50 l/min (3 bar)
Acoustic group U





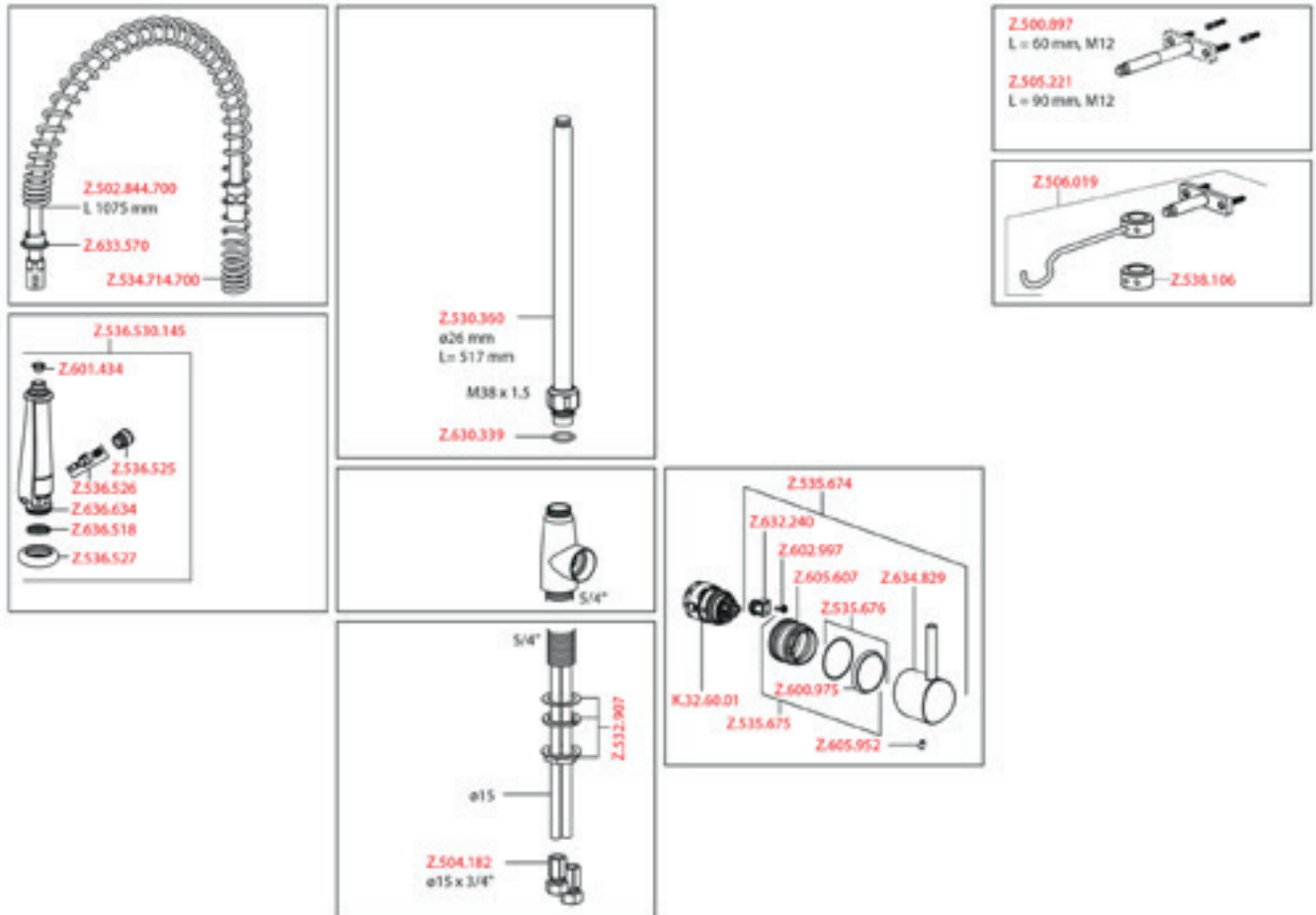
SAP Number	Article Number
chromeline	
121273	24.501.130.000

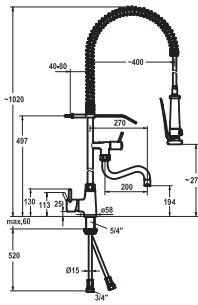
GASTRO Lever mixer - Commercial kitchen

- Lever mixer
- Suspension spring
- TouchProtect
 - anti-scald protection thanks to the "double skin" principle
- Intrinsically safe against backflow
- Pre-rinse spray
 - with integrated delayed closing device to minimize water hammer with valve maintenance unit for cleaning
 - SprayClean
 - easy to clean and actively prevents limescale buildup
 - SprayLock - lockable jet spray
 - PowerClean - needle spray mode

- OptimalSpace - ample space for washing or working
- KWC cartridge XL 46 - high capacity
 - with ceramic discs
 - flow rate and temperature continuously variable
 - temperature limitation
- Copper tubes $\varnothing 15$ mm
- Fastening by means of threaded sleeve 1 1/4"
- Mounting hole size $\varnothing 42$ mm

Spray: Flow rate 15 l/min (3 bar)
Acoustic group 2





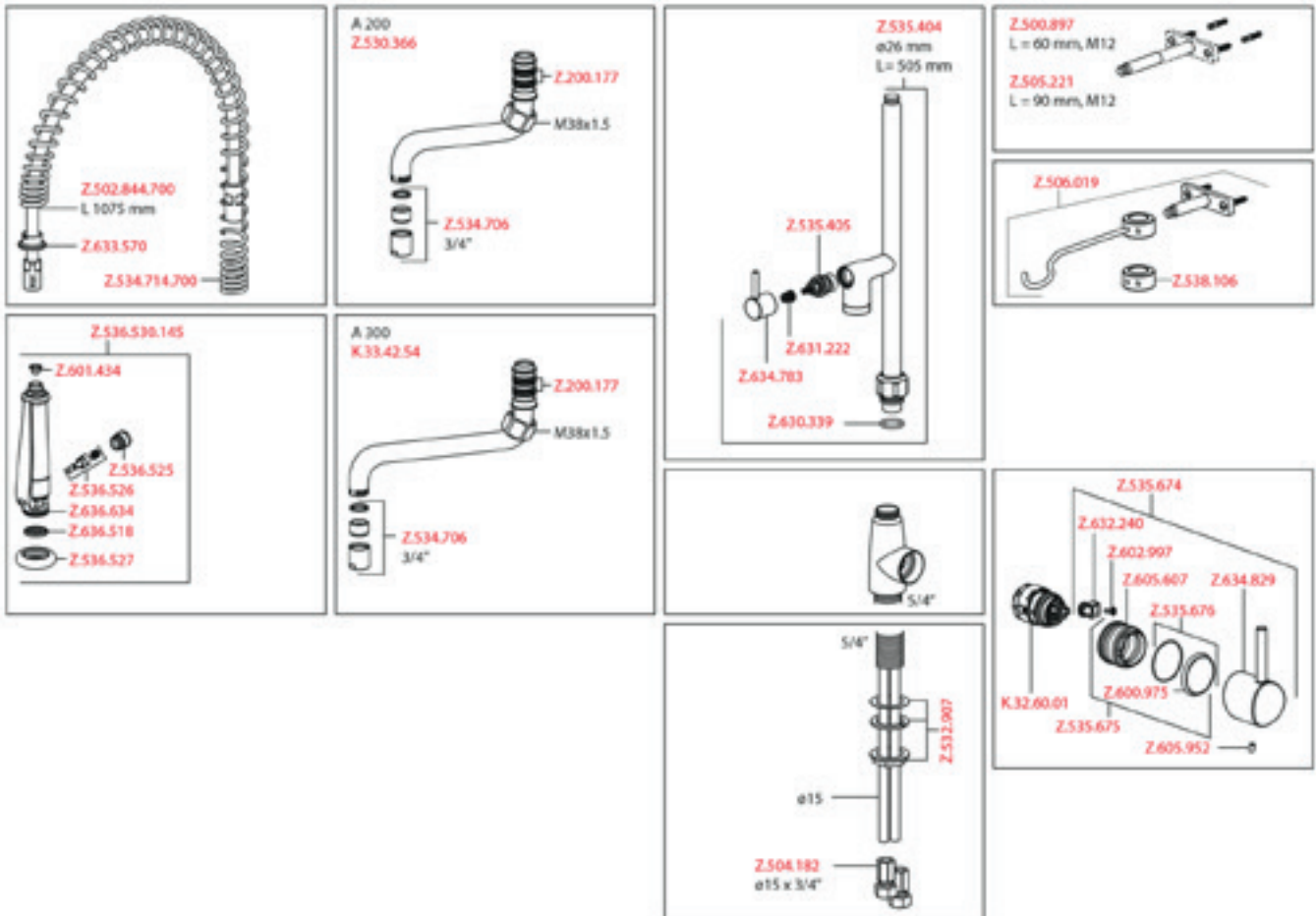
SAP Number	Article Number
chromeline, A 200, B 270 121275	24.501.144.000
chromeline, A 300, B 370 121276	24.501.146.000

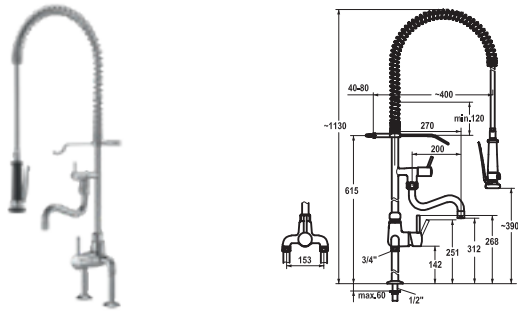
GASTRO Lever mixer - Commercial kitchen

- Lever mixer
- Suspension spring
- TouchProtect
 - anti-scald protection thanks to the "double skin" principle
- Intrinsically safe against backflow
- Swivel spout
 - with adjustable gland
 - Jet regulator
- Pre-rinse spray
 - with integrated delayed closing device to minimize water hammer with valve maintenance unit for cleaning
 - SprayClean
 - easy to clean and actively prevents limescale buildup
 - SprayLock - lockable jet spray
 - PowerClean - needle spray mode

- OptimalSpace - ample space for washing or working
- KWC cartridge XL 46 - high capacity
 - with ceramic discs
 - flow rate and temperature continuously variable
 - temperature limitation
- Copper tubes ø15 mm
- Fastening by means of threaded sleeve 1 ¼"
- Mounting hole size ø42 mm

Flow rate 24 l/min (3 bar)
Spray: Flow rate 15 l/min (3 bar)





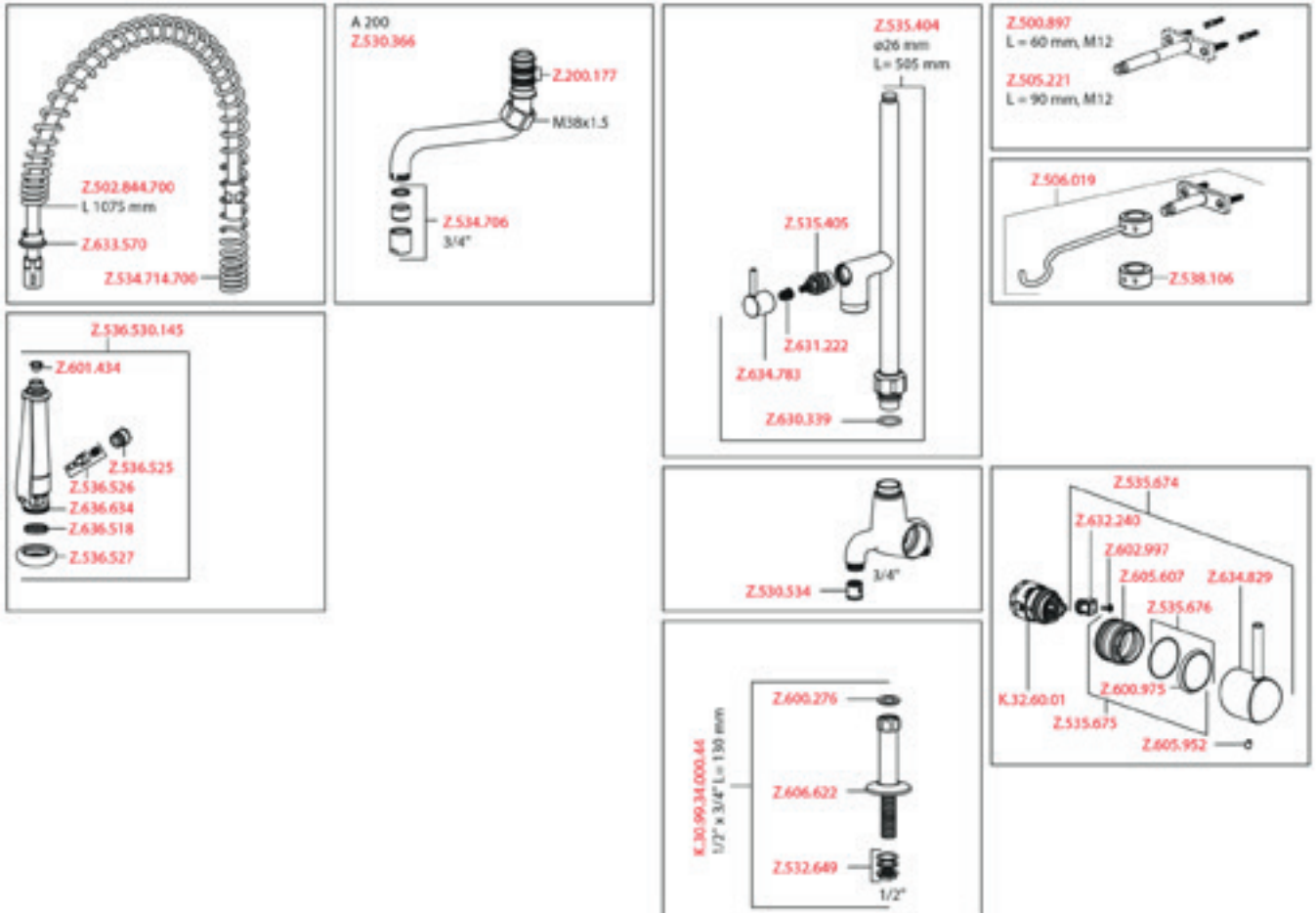
SAP Number	Article Number
chromeline, AD 153, A 200, B 270 121294	24.503.114.000
chromeline, AD 153, A300, B370 121295	24.503.116.000

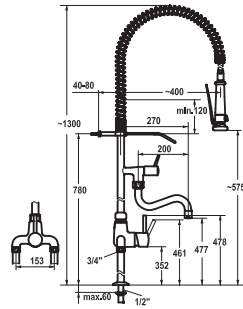
GASTRO Lever mixer - Commercial kitchen

- Lever mixer
- Suspension spring
- TouchProtect
 - anti-scald protection thanks to the "double skin" principle
- Intrinsically safe against backflow
- Swivel spout
 - with adjustable gland
 - Jet regulator
- Pre-rinse spray
 - with integrated delayed closing device to minimize water hammer with valve maintenance unit for cleaning
 - SprayClean
 - easy to clean and actively prevents limescale buildup
 - SprayLock - lockable jet spray
 - PowerClean - needle spray mode

- OptimalSpace - ample space for washing or working
- KWC cartridge XL 46 - high capacity
 - with ceramic discs
 - flow rate and temperature continuously variable
 - temperature limitation
- Pillar connections 1/2" x 3/4" L 130
- Mounting hole size ø22 mm

Flow rate 34 l/min (3 bar)
 Spray: Flow rate 15 l/min (3 bar)
 Acoustic group 2





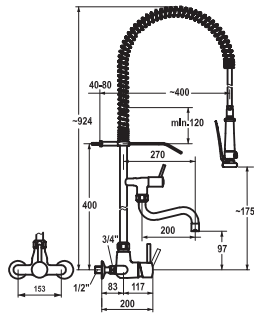
SAP Number	Article Number
chromeline, AD 153, A 200, B 270 121296	24.503.124.000
chromeline, AD 153, A 300, B 370 121297	24.503.126.000

GASTRO Lever mixer - Commercial kitchen

- Lever mixer
- Suspension spring
- TouchProtect
 - anti-scald protection thanks to the "double skin" principle
- Intrinsically safe against backflow
- Swivel spout
 - with adjustable gland
 - Jet regulator
- Pre-rinse spray
 - with integrated delayed closing device to minimize water hammer with valve maintenance unit for cleaning
 - SprayClean
 - easy to clean and actively prevents limescale buildup
 - SprayLock - lockable jet spray
 - PowerClean - needle spray mode

- OptimalSpace - ample space for washing or working
- KWC cartridge XL 46 - high capacity
 - with ceramic discs
 - flow rate and temperature continuously variable
 - temperature limitation
- Pillar connections 1/2" x 3/4" L 340
- Mounting hole size ø22 mm

Flow rate 34 l/min (3 bar)
 Spray: Flow rate 15 l/min (3 bar)
 Acoustic group 2



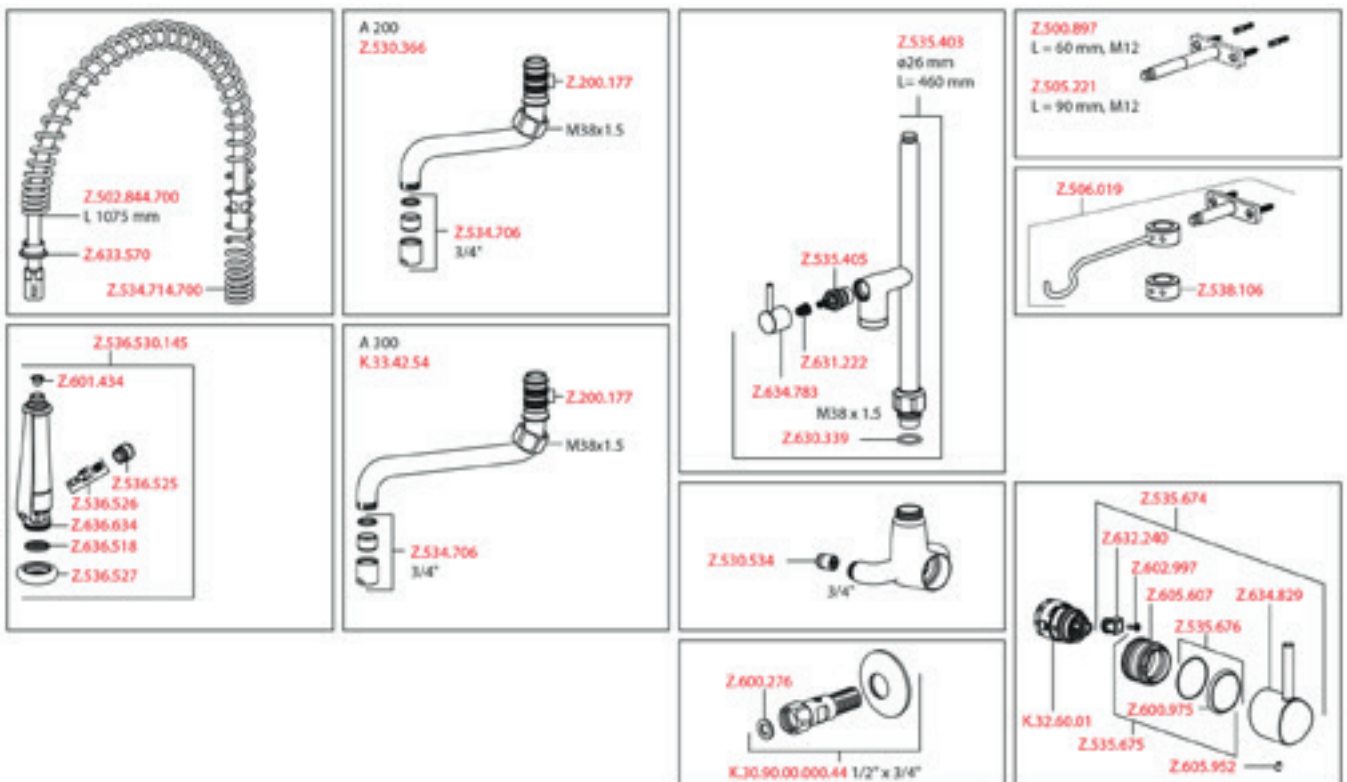
SAP Number	Article Number
chromeline, AD 153 +/- 8 mm, A 200, B 270 121281	24.502.164.000
chromeline, AD 153 +/- 8 mm, A 300, B 370 121284	24.502.166.000

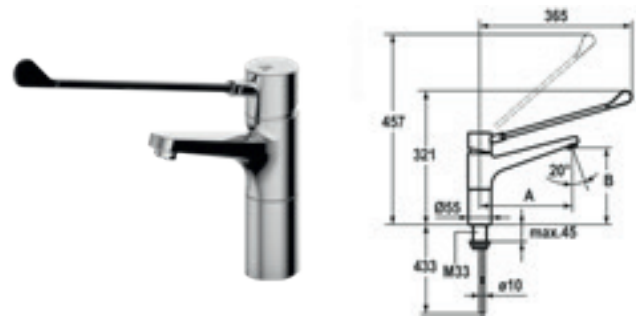
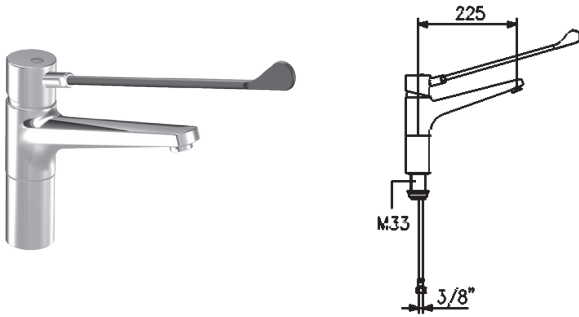
GASTRO Lever mixer - Commercial kitchen

- Lever mixer
- Suspension spring
- TouchProtect
 - anti-scald protection thanks to the "double skin" principle
- Intrinsically safe against backflow
- Swivel spout 160°
 - with adjustable gland
 - Jet regulator
- Pre-rinse spray
 - with integrated delayed closing device to minimize water hammer with valve maintenance unit for cleaning
 - SprayClean
 - easy to clean and actively prevents limescale buildup
 - SprayLock - lockable jet spray
 - PowerClean - needle spray mode

- OptimalSpace - ample space for washing or working
- KWC cartridge XL 46 - high capacity
 - with ceramic discs
 - flow rate and temperature continuously variable
 - temperature limitation
- Wall connections 1/2" x 3/4", with shut-off valve L 40 eccentric 4 mm

Flow rate 34 l/min (3 bar)
 Spray: Flow rate 15 l/min (3 bar)
 Acoustic group 2





SAP Number	Article Number
chromeline A 225, B 184, flexible connection hoses 3/8"	
121746	24.501.103.000LLFL
chromeline, A 300, B 207, flexible connection hoses 3/8"	
121744	24.501.104.000LLFL

SAP Number	Article Number
chromeline, A 150, B 162, copper tubes	
123980	24.501.102.000LL

GASTRO Lever mixer

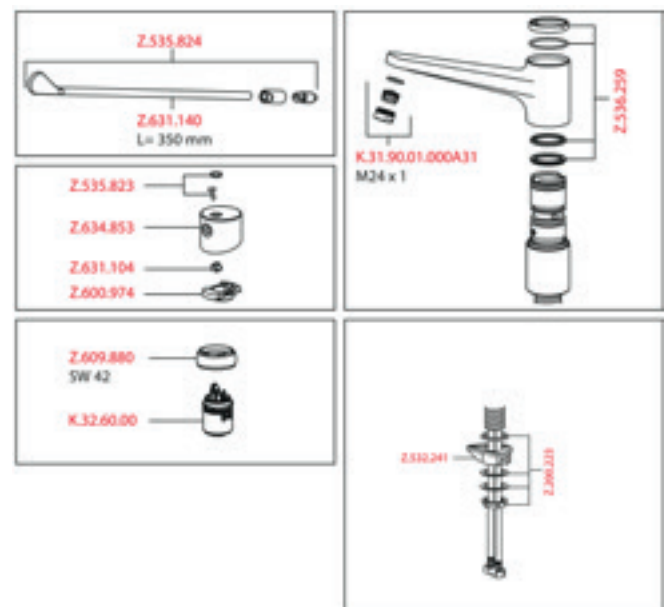
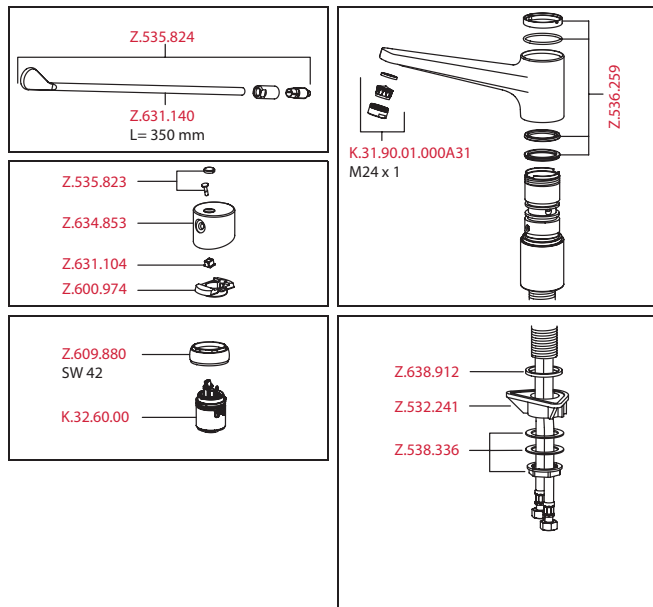
- Lever mixer
- Socket 85 mm
- Swivel spout 160°
 - Neoperl® Cascade®
- OptimalSpace - ample space for washing or working
- KWC cartridge L 39 - universal
 - with ceramic discs
 - flow rate and temperature continuously variable
 - temperature and flow rate limitation
- Fastening by means of threaded sleeve M33 x 1.5
- Mounting hole size ø35 mm

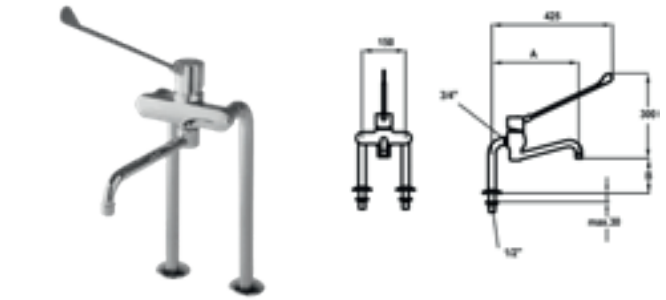
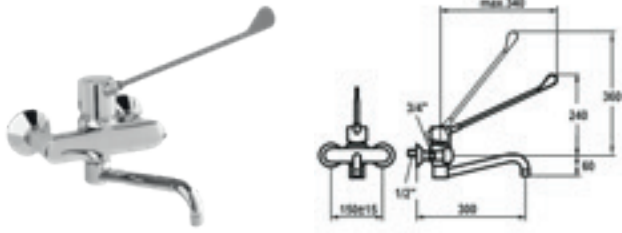
GASTRO Lever mixer

- Lever mixer
- Swivel spout 160°
 - Neoperl® Cascade®
- OptimalSpace - ample space for washing or working
- KWC cartridge L 39 - universal
 - with ceramic discs
 - flow rate and temperature continuously variable
 - temperature and flow rate limitation
- Copper tubes ø10 mm
- Fastening by means of threaded sleeve M33 x 1.5
- Mounting hole size ø35 mm

Flow rate 12 l/min (3 bar)
Acoustic group I

Flow rate 12 l/min (3 bar)
Acoustic group I





SAP Number	Article Number
chromeline, AD 150 +/- 15 mm, A 300, B 60 115401	K.24.62.14.000B91
chromeline, AD 150 +/- 15 mm, A 400, B 35 115402	K.24.62.16.000B91

SAP Number	Article Number
chromeline, AD 150, A 300, B 200 117408	K.24.62.44.000B87
chromeline, AD 150, A 400, B 227 117409	K.24.62.46.000B87

GASTRO Lever mixer

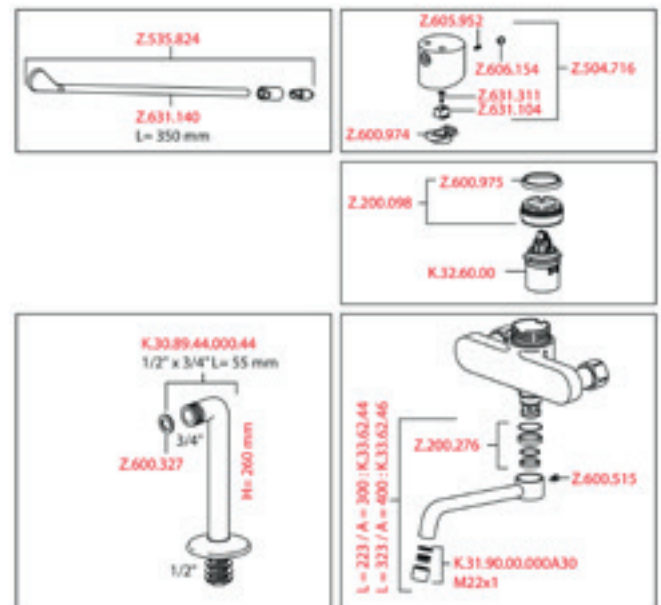
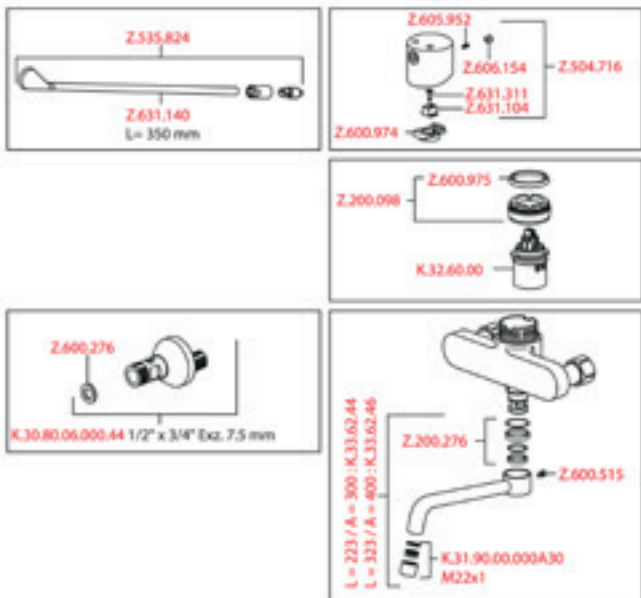
- Lever mixer
- Swivel spout 120°
 - Neoperl® Cascade®
- OptimalSpace - ample space for washing or working
- KWC cartridge L 39 - universal
 - with ceramic discs
 - flow rate and temperature continuously variable
 - temperature and flow rate limitation
- Wall connections 1/2" x 3/4", with shut-off valve L 40 eccentric 7.5 mm

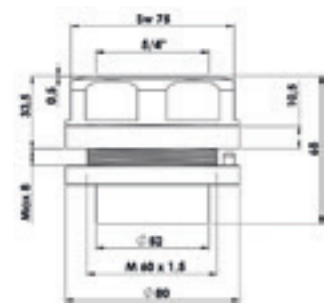
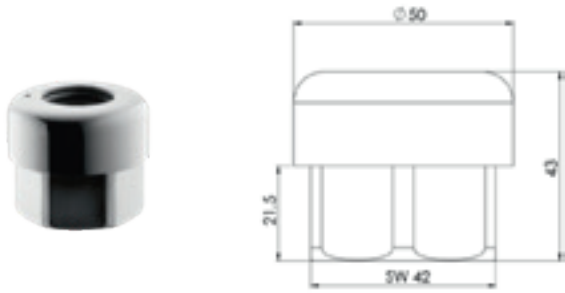
GASTRO Lever mixer

- Lever mixer
- Swivel spout 120°
 - Neoperl® Cascade®
- OptimalSpace - ample space for washing or working
- KWC cartridge L 39 - universal
 - with ceramic discs
 - flow rate and temperature continuously variable
 - temperature and flow rate limitation
- Pillar connections 1/2" x 3/4" L 55
- Mounting hole size ø22 mm

Flow rate 12 l/min (3 bar)
Acoustic group I

Flow rate 12 l/min (3 bar)
Acoustic group I





SAP Number	Article Number
chromeline 537565	Z.537.565.000

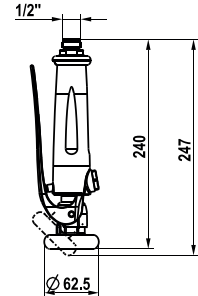
SAP Number	Article Number
chromeline 538008	Z.538.008.000

Outlet swivel limiter

- Outlet swivel limiter M 38 x 15
- Suitable for:
 - KWC GASTRO
 - 2-handle and lever mixer
 - one hole / 2-hole + wall mixer 3/4"
 - limitation individually adjustable

GASTRO Preassembled socket 5/4"

- Preassembled socket 5/4"
- Mounting hole size
- Suitable for:
 - KWC GASTRO
 - 2-handle and lever mixer
 - one hole mixer



SAP Number	Article Number
stainless steel, L 1075 535469	Z.502.844.700
stainless steel, L 1275 534746	EGASTRO-0016
stainless steel, L 1500 534747	Z.502.869.700
stainless steel, L 2045 534778	EGASTRO-0018

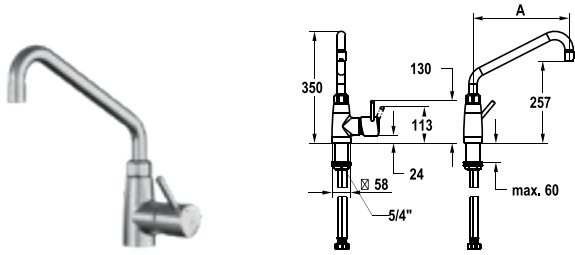
SAP Number	Article Number
graphite grey, 1/2" thread 539030	Z.539.030.145

GASTRO Pre-rinse spray

- Pre-rinse spray
 - with integrated delayed closing device to minimize water hammer
 - with valve maintenance unit for cleaning and swivelling sieve jet
- Connecting thread 1/2"

GASTRO Shower hose for pre-rinse spray

- Shower hose for pre-rinse spray
- Made of stainless steel
- Connecting thread 1/2"

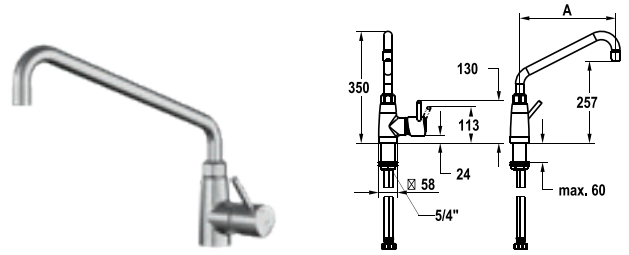


SAP Number	Article Number
stainless steel, A 300, flexible connection hoses 3/8"	
125565	24.561.044.700FL

GASTRO E Lever mixer – Commercial kitchen

- Lever mixer
- Swivel spout 360°
 - with adjustable gland
 - Jet regulator
- OptimalSpace - ample space for washing or working
- KWC cartridge XL 46 - high capacity
 - with ceramic discs
 - flow rate and temperature continuously variable
 - temperature limitation
- Flexible connection hoses 3/8" 1/2" with transition to 3/4"
- Fastening by means of threaded sleeve 1 1/4"
- Mounting hole size ø42 mm
- To be ordered separately:
 - Base 100 mm Z.539.000.700 or 300 mm Z.539.001.700

Flow rate 32.4 l/min (3 bar)
Acoustic group 2



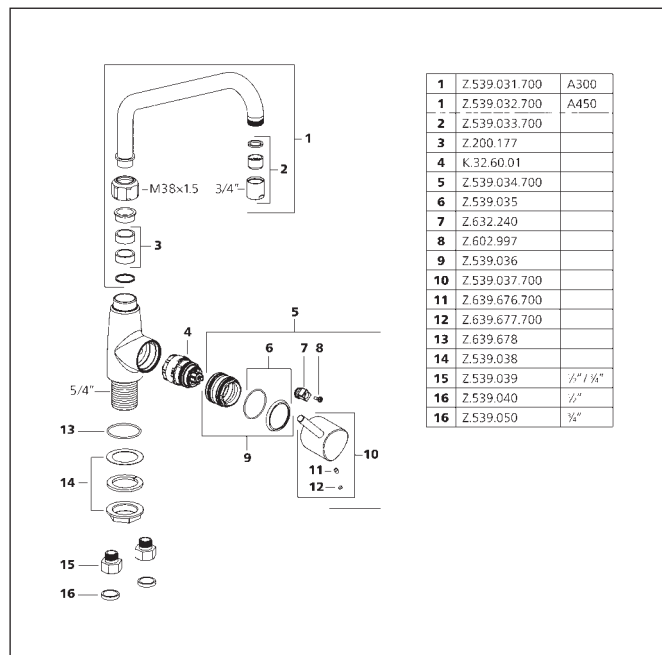
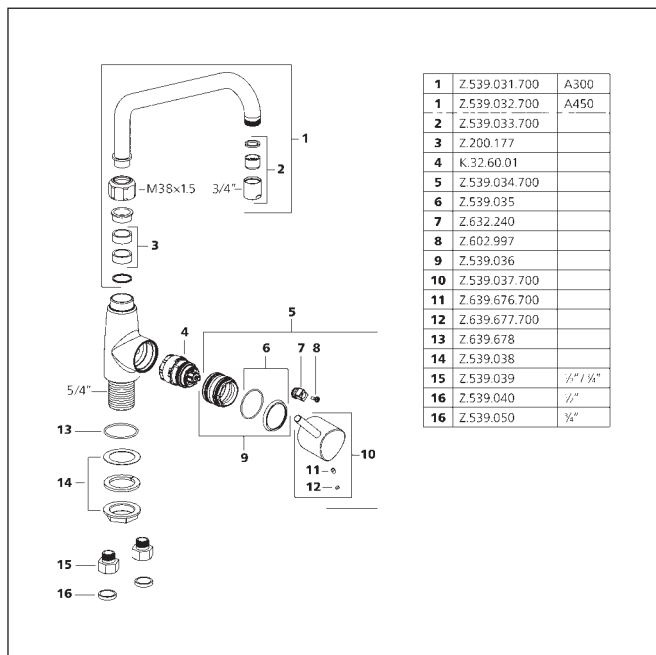
SAP Number	Article Number
stainless steel, A 450, flexible connection hoses 3/8"	
125566	24.561.046.700FL

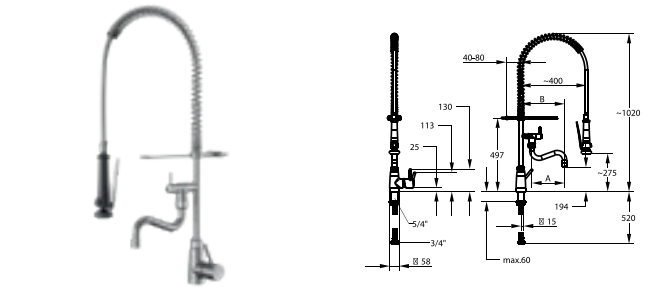
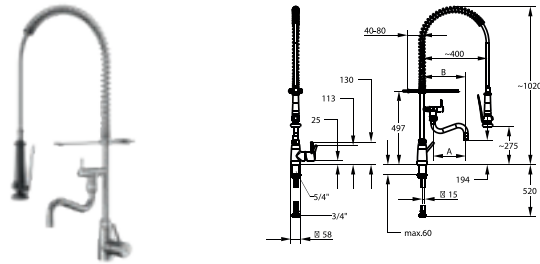
GASTRO E Lever mixer – Commercial kitchen

- Lever mixer
- Swivel spout 360°
 - with adjustable gland
 - Jet regulator
- OptimalSpace - ample space for washing or working
- KWC cartridge XL 46 - high capacity
 - with ceramic discs
 - flow rate and temperature continuously variable
 - temperature limitation
- Flexible connection hoses 3/8" 1/2" with transition to 3/4"
- Fastening by means of threaded sleeve 1 1/4"
- Mounting hole size ø42 mm
- To be ordered separately:
 - Base 100 mm Z.539.000.700 or 300 mm Z.539.001.700

Flow rate 32.4 l/min (3 bar)
Acoustic group 2

Faucets for the kitchen





SAP Number	Article Number
stainless steel, A 200, B 270, flexible connection hoses 125567	24.561.144.700FL



SAP Number	Article Number
stainless steel, A 300, B 370, flexible connection hoses 125568	24.561.146.700FL

GASTRO E Lever mixer – Commercial kitchen

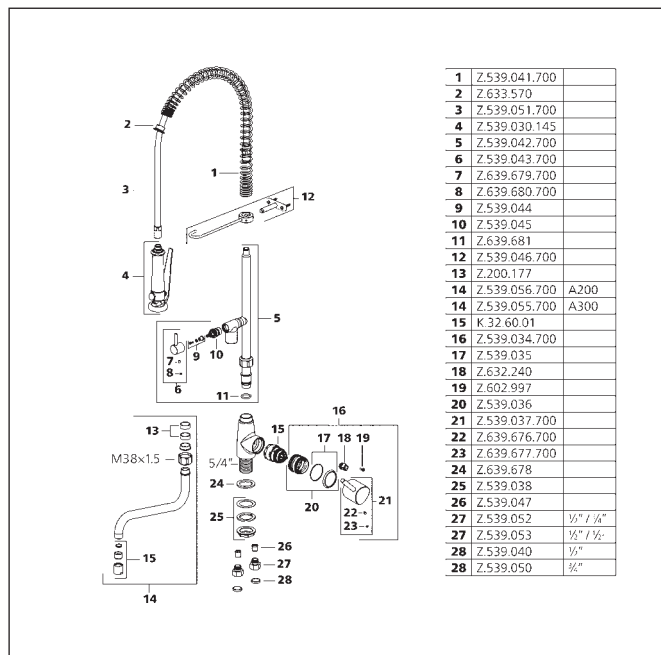
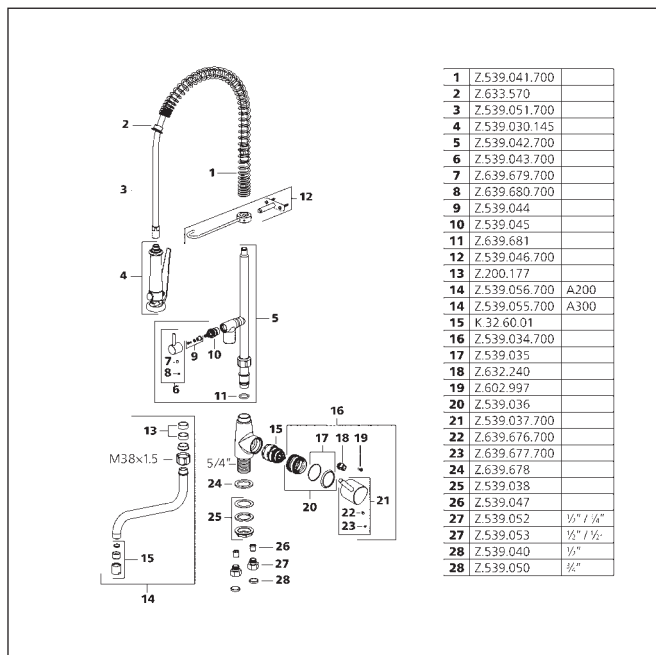
- Lever mixer
- Suspension spring
- TouchProtect
 - anti-scald protection thanks to the "double skin" principle
- Intrinsically safe against backflow and cross flow
- Swivel spout
 - with adjustable gland
 - Jet regulator
- Pre-rinse spray
 - with integrated delayed closing device to minimize water hammer
 - with valve maintenance unit for cleaning and swivelling sieve jet
 - SprayClean
 - easy to clean and actively prevents limescale buildup
 - SprayLock - lockable jet spray
 - PowerClean - needle spray mode
- OptimalSpace - ample space for washing or working
- KWC cartridge XL 46 - high capacity
 - with ceramic discs
 - flow rate and temperature continuously variable
 - temperature limitation
- Flexible connection hoses 3/8" 1/2" with transition to 3/4"
- Fastening by means of threaded sleeve 1 1/4"
- Mounting hole size ø42 mm

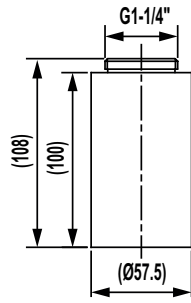
Flow rate 27 l/min (3 bar)
 Spray: Flow rate 15 l/min (3 bar)
 Acoustic group 2
 Spray outlet: Acoustic group 1

GASTRO E Lever mixer – Commercial kitchen

- Lever mixer
- Suspension spring
- TouchProtect
 - anti-scald protection thanks to the "double skin" principle
- Intrinsically safe against backflow and cross flow
- Swivel spout
 - with adjustable gland
 - Jet regulator
- Pre-rinse spray
 - with integrated delayed closing device to minimize water hammer
 - with valve maintenance unit for cleaning and swivelling sieve jet
 - SprayClean
 - easy to clean and actively prevents limescale buildup
 - SprayLock - lockable jet spray
 - PowerClean - needle spray mode
- OptimalSpace - ample space for washing or working
- KWC cartridge XL 46 - high capacity
 - with ceramic discs
 - flow rate and temperature continuously variable
 - temperature limitation
- Flexible connection hoses 3/8" 1/2" with transition to 3/4"
- Fastening by means of threaded sleeve 1 1/4"
- Mounting hole size ø42 mm

Flow rate 27 l/min (3 bar)
 Spray: Flow rate 15 l/min (3 bar)
 Acoustic group 2
 Spray outlet: Acoustic group 1



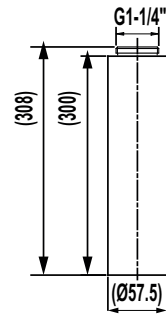


NEW

SAP Number	Article Number
stainless steel	
539000	Z.539.000.700

GASTRO E Base 100 mm

- Base 100 mm
- Suitable for:
 - KWC GASTRO E

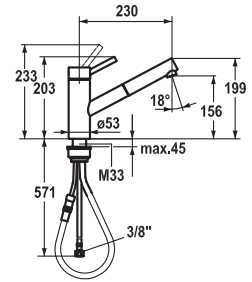
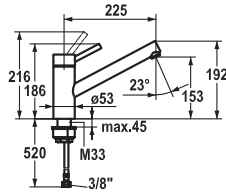
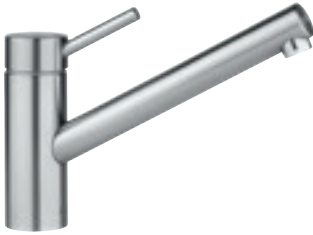


NEW

SAP Number	Article Number
stainless steel	
539001	Z.539.001.700

GASTRO E Base 300 mm

- Base 300 mm
- Suitable for:
 - KWC GASTRO E



SAP Number	Article Number
stainless steel, A 225, flexible connection hoses 3/8"	
121501	10.271.023.700FL

SAP Number	Article Number
stainless steel, A 230, flexible connection hoses 3/8"	
121513	10.271.103.700FL

INOX Lever mixer - Kitchen

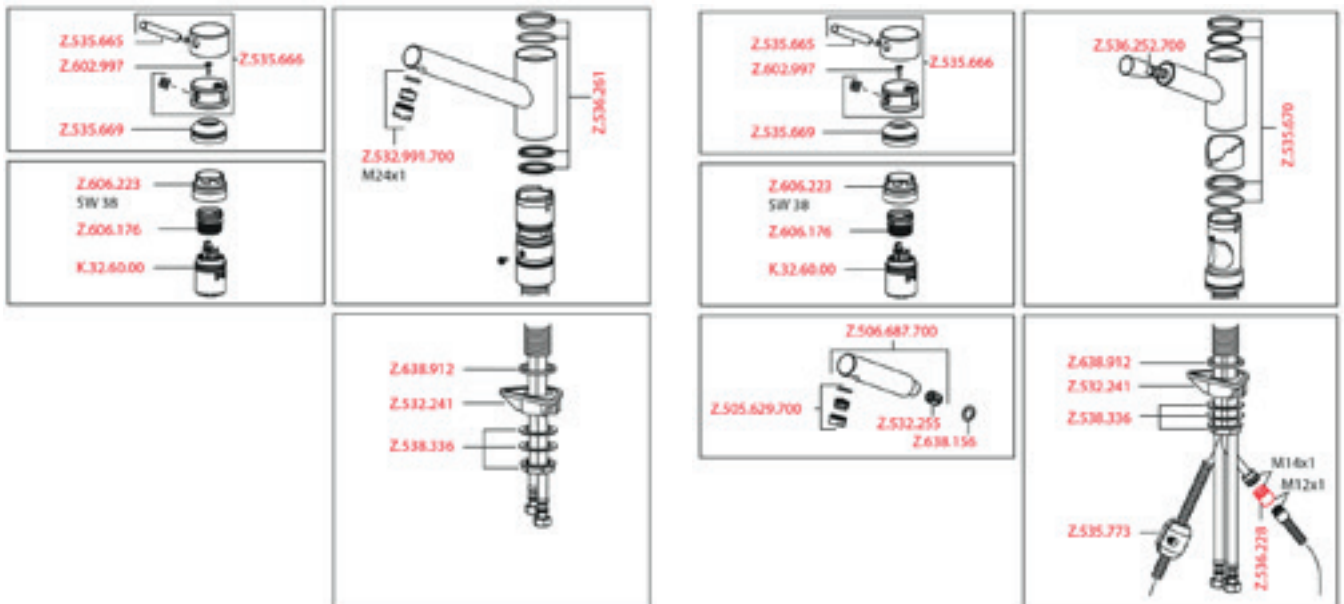
- Lever mixer
- Swivel spout 160°
 - Neoperl® Cascade®
- KWC cartridge L 39 - universal
 - with ceramic discs
 - flow rate and temperature continuously variable
 - temperature and flow rate limitation
- Fastening by means of threaded sleeve M33 x 1.5
- Mounting hole size ø35 mm

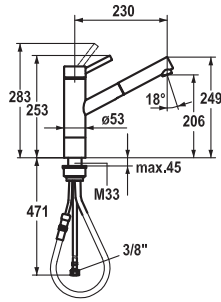
Flow rate 12 l/min (3 bar)
Acoustic group I

INOX Lever mixer - Kitchen

- Lever mixer
- TouchProtect
 - anti-scald protection thanks to the "double skin" principle
- Pull-out aerator
 - Neoperl® Cascade®
 - up to 700 mm pull-out length
 - hose surface to fit faucet surface
- Hose guide, swivelling 130°
- EasyLock - a pull-out spray that easily slides back into place
- KWC cartridge L 39 - universal
 - with ceramic discs
 - flow rate and temperature continuously variable
 - temperature and flow rate limitation
- Fastening by means of threaded sleeve M33 x 1.5
- Mounting hole size ø35 mm

Flow rate 12 l/min (3 bar)
Acoustic group I



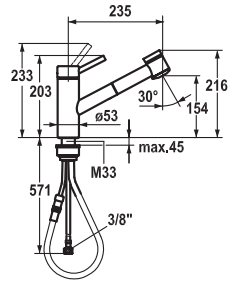
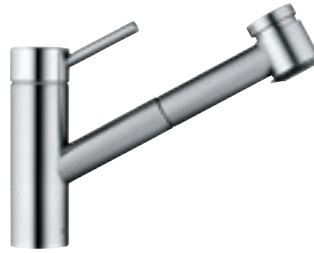


SAP Number **Article Number**
 stainless steel, A 230, flexible connection hoses 3/8"
121517 10.271.303.700FL

INOX Lever mixer - Kitchen

- Lever mixer
- Socket 50 mm
- TouchProtect
 - anti-scald protection thanks to the "double skin" principle
- Pull-out aerator
 - Neoperl® Cascade®
 - up to 700 mm pull-out length
 - hose surface to fit faucet surface
- Hose guide, swivelling 130°
- EasyLock - a pull-out spray that easily slides back into place
- OptimalSpace - ample space for washing or working
- KWC cartridge L 39 - universal
 - with ceramic discs
 - flow rate and temperature continuously variable
 - temperature and flow rate limitation
- Fastening by means of threaded sleeve M33 x 1.5
- Mounting hole size ø35 mm

Flow rate 12 l/min (3 bar)
 Acoustic group I

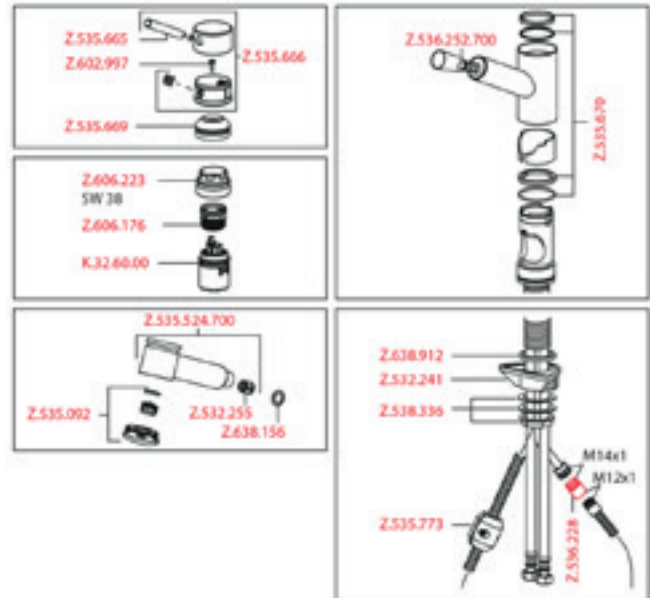
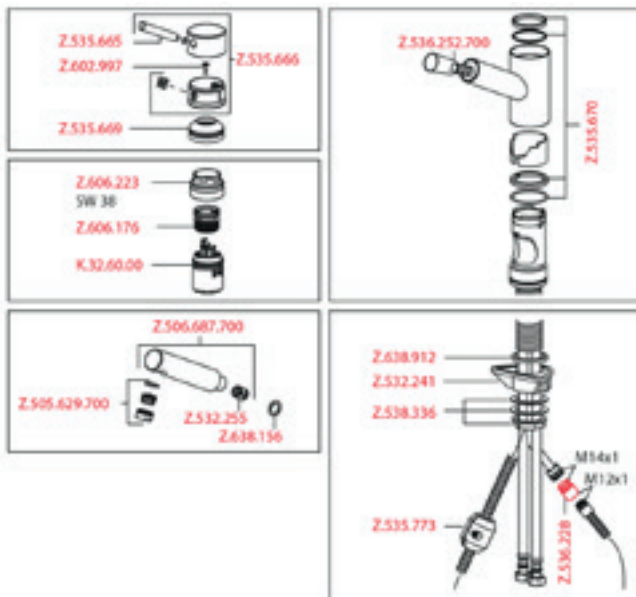


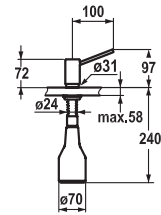
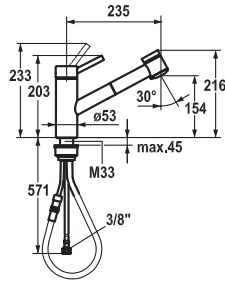
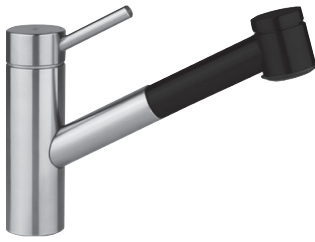
SAP Number **Article Number**
 stainless steel, A 235, flexible connection hoses 3/8"
121505 10.271.033.700FL

INOX Lever mixer - Kitchen

- Lever mixer
- TouchProtect
 - anti-scald protection thanks to the "double skin" principle
- Pull-out spray
 - SprayClean
 - easy to clean and actively prevents limescale buildup
 - up to 700 mm pull-out length
 - SprayLock - lockable jet spray
 - PowerClean - needle spray mode, with automatic diverter reset
 - hose surface to fit faucet surface
- Hose guide, swivelling 130°
- EasyLock - a pull-out spray that easily slides back into place
- KWC cartridge L 39 - universal
 - with ceramic discs
 - flow rate and temperature continuously variable
 - temperature and flow rate limitation
- Fastening by means of threaded sleeve M33 x 1.5
- Mounting hole size ø35 mm

Flow rate normal spray 12 l/min (3 bar)
 Flow rate needle spray 13 l/min (3 bar)
 Acoustic group I





SAP Number	Article Number
stainless steel/matte black, A 235, flexible connection hoses 3/8"	
121509	10.271.033.736FL

SAP Number	Article Number
stainless steel	
536062	Z.536.062.700

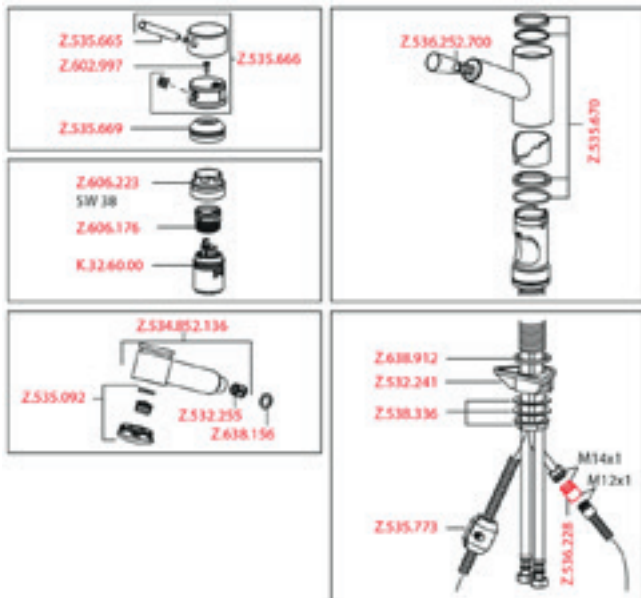
INOX Lever mixer - Kitchen

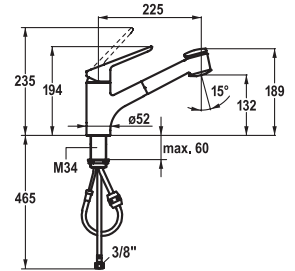
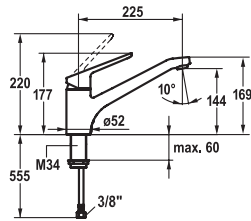
- Lever mixer
- Pull-out spray
 - SprayClean
 - easy to clean and actively prevents limescale buildup
 - up to 700 mm pull-out length
 - SprayLock - lockable jet spray
 - PowerClean - needle spray mode, with automatic diverter reset
 - hose surface to fit faucet surface
- Hose guide, swivelling 130°
- KWC cartridge L 39 - universal
 - with ceramic discs
 - flow rate and temperature continuously variable
 - temperature and flow rate limitation
- Fastening by means of threaded sleeve M33 x 1.5
- Mounting hole size ø35 mm

INOX Soap dispenser

- Soap dispenser KWC INOX
- Easily refillable from top without disassembly
- Mounting hole size ø26 mm
- Scope of delivery:
 - Pump
 - Soap container, filling capacity 350 ml Z.635.713

Flow rate normal spray 12 l/min (3 bar)
 Flow rate needle spray 13 l/min (3 bar)
 Acoustic group I





SAP Number	Article Number
chromeline, A 225, flexible connection hoses 3/8"	
123995	10.371.023.000FL

SAP Number	Article Number
chromeline, A 225, flexible connection hoses 3/8"	
123994	10.371.033.000FL

ISLA Lever mixer - Kitchen

- Lever mixer
- Swivel spout 160°
 - Neoperl® Cascade®
- KWC cartridge M 35 H
 - with ceramic discs
 - flow rate and temperature continuously variable
- Fastening by means of threaded sleeve M34 x 1
- Mounting hole size ø35 mm

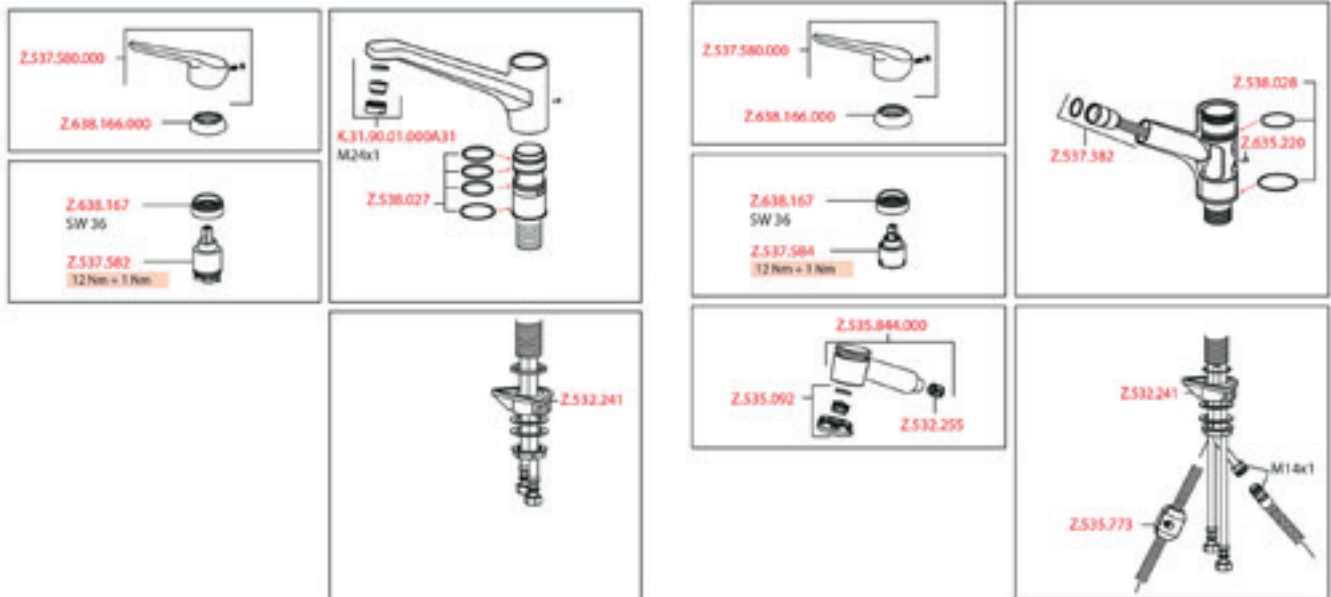
ISLA Lever mixer - Kitchen

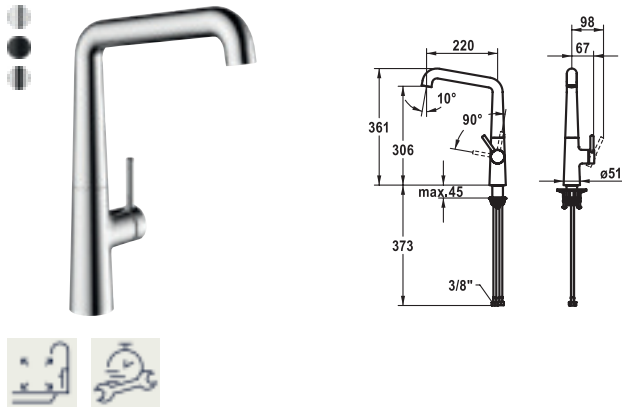
- Lever mixer
- TouchProtect
 - anti-scald protection thanks to the "double skin" principle
- Pull-out spray
 - SprayClean
 - easy to clean and actively prevents limescale buildup
 - up to 700 mm pull-out length
 - PowerClean - needle spray mode, with automatic diverter reset
 - TwistProtect - 360° swiveling spray
- Hose guide, swivelling 95°
- EasyLock - a pull-out spray that easily slides back into place
- KWC cartridge M 35 S
 - with ceramic discs
 - flow rate and temperature continuously variable
- Fastening by means of threaded sleeve M34 x 1
- Mounting hole size ø35 mm

Flow rate 14 l/min (3 bar)
Acoustic group 2

Flow rate normal spray 9 l/min (3 bar)
Flow rate needle spray 9 l/min (3 bar)
Acoustic group 2

Faucets for the kitchen





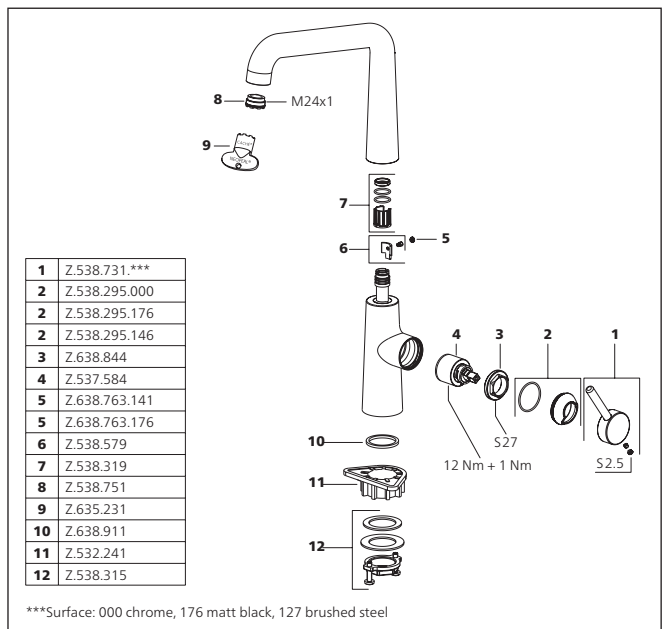
SAP Number	Article Number
chromeline, A 220, flexible connection hoses 3/8"	
125199	10.481.012.000FL
matt black, A 220, flexible connection hoses 3/8"	
125200	10.481.012.176FL
decor steel, A 220, flexible connection hoses 3/8"	
125201	10.481.012.127FL

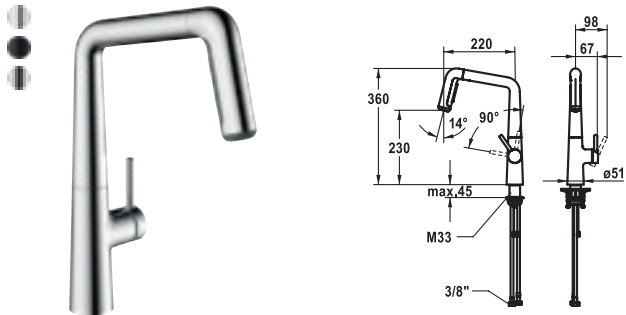
KIO Lever mixer - Kitchen

- Lever mixer
- Lever installation only possible on the right side
 - Child safety: cold water flow in lever position towards the front
- gap between wall and centre of mounting hole min. 26 mm
- Swivel spout 150°, extensible to 360°
 - Neoperl® Caché® laminar
- OptimalSpace - ample space for washing or working
- KWC cartridge M 35 S
 - with ceramic discs
 - flow rate and temperature continuously variable
- QuickInstallation
 - Fastening via threaded connection with locking screws

- Mounting hole size ø35 mm
- To be ordered separately (optional or if necessary):
 - Swivel range limited to 120°, Z.538.320

Flow rate 11 l/min (3 bar)
Acoustic group I





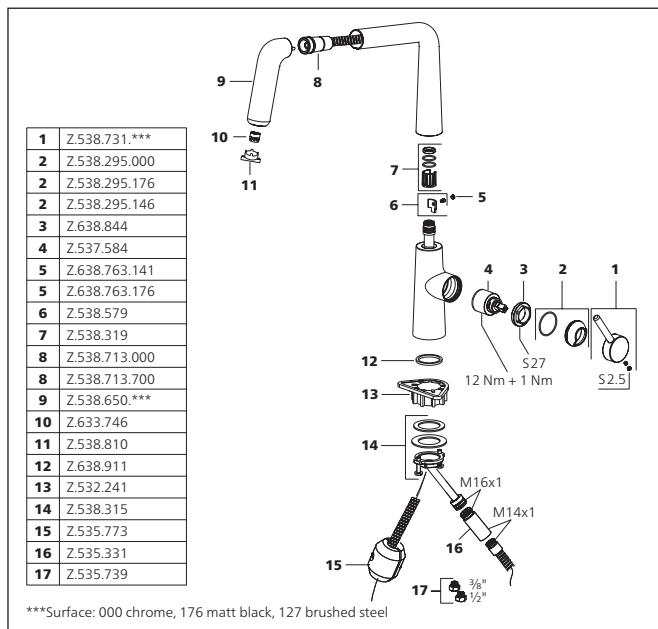
SAP Number	Article Number
chromeline, A 220, flexible connection hoses 3/8"	
125202	10.481.002.000FL
matt black, A 220, flexible connection hoses 3/8"	
125203	10.481.002.176FL
decor steel, A 220, flexible connection hoses 3/8"	
125204	10.481.002.127FL

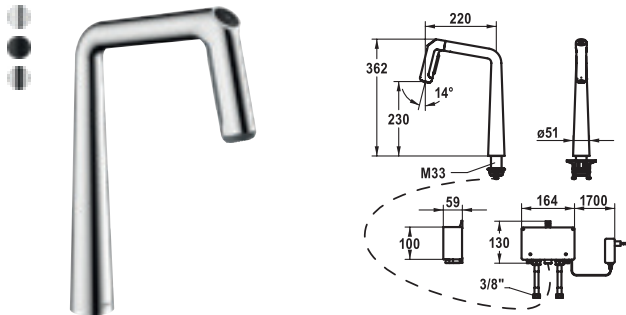
KIO Lever mixer - Kitchen

- Lever mixer
- Lever installation only possible on the right side
 - Child safety: cold water flow in lever position towards the front
- gap between wall and centre of mounting hole min. 26 mm
- TouchProtect
 - anti-scald protection thanks to the "double skin" principle
- Pull-out spray
 - ergonomic spout alignment, shape and handling
 - SprayClean
 - easy to clean and actively prevents limescale buildup
 - Neoperl® Perlator® laminar
 - PowerClean - needle spray mode, with automatic diverter reset
 - up to 500 mm pull-out length
 - hose surface to fit faucet surface

- Hose guide, swivelling 150°, can be extended to 360°
- EasyLock - a pull-out spray that easily slides back into place
- OptimalSpace - ample space for washing or working
- KWC cartridge M 35 S
 - with ceramic discs
 - flow rate and temperature continuously variable
- QuickInstallation
 - Fastening via threaded connection with locking screws
- Mounting hole size ø35 mm
- To be ordered separately (optional or if necessary):
 - Swivel range limited to 120°, Z.538.320

Flow rate normal spray 10 l/min (3 bar)
 Flow rate needle spray 9 l/min (3 bar)
 Acoustic group I





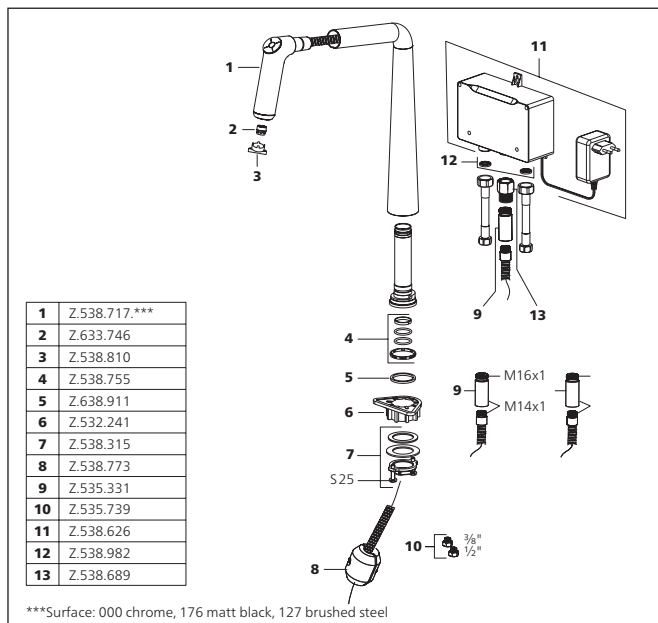
SAP Number	Article Number
chromeline, A 220, flexible connection hoses 3/8", mains receiver 125193	10.481.232.000FL
matt black, A 220, flexible connection hoses 3/8", mains receiver 125194	10.481.232.176FL
decor steel, A 220, flexible connection hoses 3/8", mains receiver 125195	10.481.232.127FL

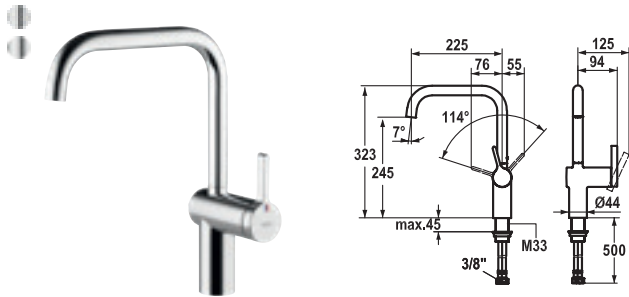
Kitchen - with LED-technology

- IntelligentControl - electronic control
- gap between wall and centre of mounting hole min. 26 mm
- TouchProtect
 - anti-scald protection thanks to the "double skin" principle
- Microprocessor-control
 - touch'n'flow 1: cold water, 50% flow rate can be individually adjusted and saved
 - touch'n'flow 2: warm water, 50% flow rate can be individually adjusted and saved
 - touch'n'flow 3: hot water, 50% flow rate can be individually adjusted and saved
 - with cleaning programme
- Pull-out spray
 - ergonomic spout alignment, shape and handling
 - SprayClean
 - easy to clean and actively prevents limescale buildup
 - Neoperl® Perlator® laminar
 - PowerClean - needle spray mode, with automatic diverter reset
 - Integrated control unit
 - up to 500 mm pull-out length
 - hose surface to fit faucet surface

- Hose guide, swivelling 150° , can be extended to 360°
- EasyLock - a pull-out spray that easily slides back into place
- OptimalSpace - ample space for washing or working
- KWC control unit, maintenance-free
 - up-to-date microprocessor and drive technology
 - tried-and-tested valve technology
 - with-out installation materials
 - designed for wired connection to 1 operating unit (standard)
- QuickInstallation
 - Fastening via threaded connection with locking screws
- Mounting hole size ø35 mm
- Scope of delivery:
 - Mains receiver 100-240 V/operating voltage 12 V/cable length 2000 mm
- To be ordered separately (optional or if necessary):
 - Swivel range limited to 120°, Z.538.320

Flow rate 10 l/min (3 bar)
Acoustic group I



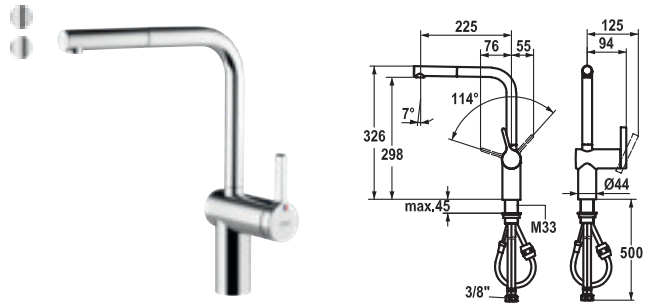


SAP Number	Article Number
chromeline, A 225, flexible connection hoses 3/8"	
122297	10.231.013.000FL
stainless steel, A 225, flexible connection hoses 3/8"	
122298	10.231.013.700FL

LIVELLO Lever mixer - Kitchen

- Lever mixer
- Lever installation only possible on the right side
 - Child safety: cold water flow in lever position towards the front
- gap between wall and centre of mounting hole min. 60 mm
- Swivel spout 125°, extensible to 360°
 - Neoperl® Caché®
- OptimalSpace - ample space for washing or working
- KWC cartridge M 35 H
 - with ceramic discs
 - flow rate and temperature continuously variable
- Fastening by means of threaded sleeve M33 x 1.5
- Mounting hole size ø35 mm

Flow rate 11 l/min (3 bar)
Acoustic group 2

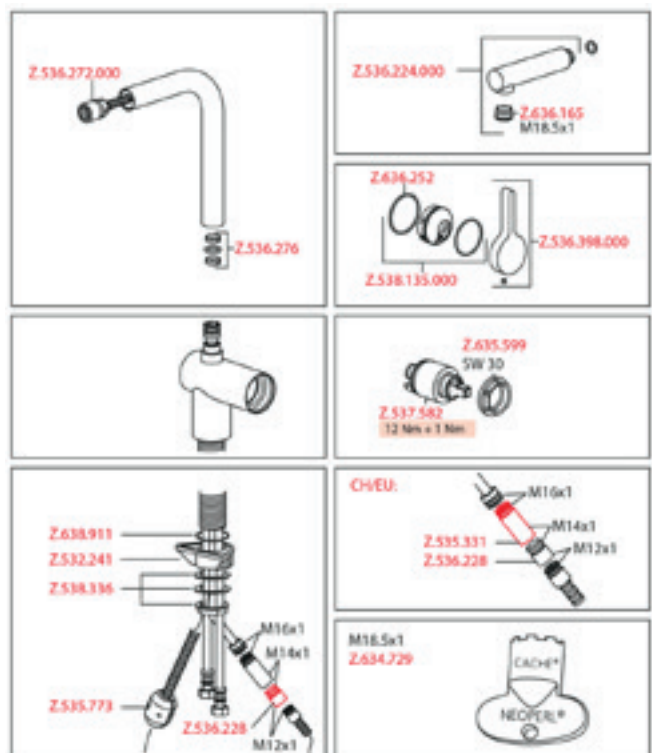
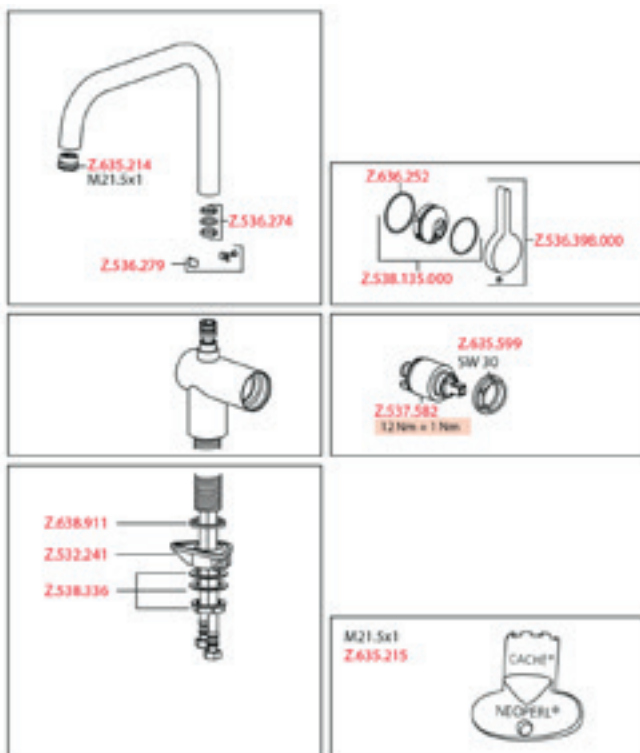


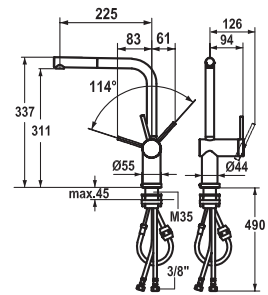
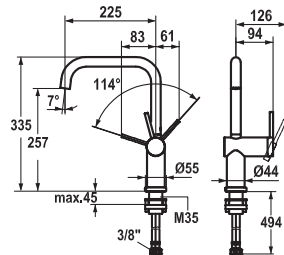
SAP Number	Article Number
chromeline, A 225, flexible connection hoses 3/8"	
122295	10.231.103.000FL
stainless steel, A 225, flexible connection hoses 3/8"	
122296	10.231.103.700FL

LIVELLO Lever mixer - Kitchen

- Lever mixer
- Lever installation only possible on the right side
 - Child safety: cold water flow in lever position towards the front
- gap between wall and centre of mounting hole min. 60 mm
- TouchProtect
 - anti-scald protection thanks to the "double skin" principle
- Pull-out aerator
 - Neoperl® Caché®
 - up to 600 mm pull-out length
 - hose surface to fit faucet surface
- Hose guide, swivelling 360°
- EasyLock - a pull-out spray that easily slides back into place
- OptimalSpace - ample space for washing or working
- KWC cartridge M 35 H
 - with ceramic discs
 - flow rate and temperature continuously variable
- Fastening by means of threaded sleeve M33 x 1.5
- Mounting hole size ø35 mm

Flow rate 11 l/min (3 bar)
Acoustic group 2





SAP Number	Article Number
stainless steel, A 225, flexible connection hoses 3/8"	
123115	10.231.043.700FL

LIVELLO Lever mixer - Kitchen - detachable

- Lever mixer
- Detachable for installation below windows - detached 55 mm
- Lever installation only possible on the right side
 - Child safety: cold water flow in lever position towards the front
- gap between wall and centre of mounting hole min. 65 mm
- Intrinsically safe against backflow
- Swivel spout 125°, extensible to 360°
 - Neoperl® Caché®
- OptimalSpace - ample space for washing or working
- KWC cartridge M 35 H
 - with ceramic discs
 - flow rate and temperature continuously variable
- Fastening by means of threaded sleeve M35 x 1.5 (preassembled socket)
- Mounting hole size ø35 - 37 mm

Flow rate 12 l/min (3 bar)
Acoustic group 2

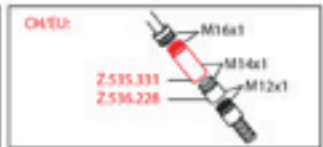
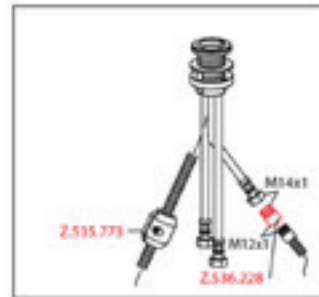
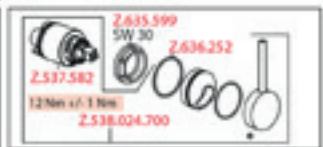
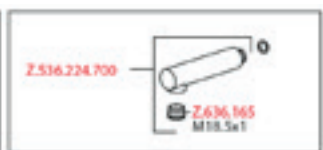
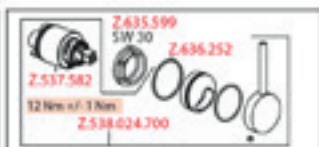
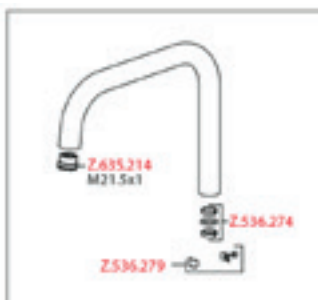


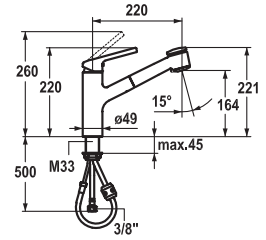
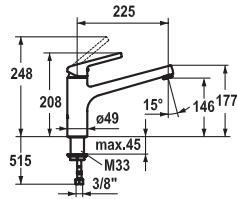
SAP Number	Article Number
stainless steel, A 225, flexible connection hoses 3/8"	
123116	10.231.053.700FL

LIVELLO Lever mixer - Kitchen - detachable

- Lever mixer
- Detachable for installation below windows - detached 55 mm
- Lever installation only possible on the right side
 - Child safety: cold water flow in lever position towards the front
- gap between wall and centre of mounting hole min. 65 mm
- TouchProtect
 - anti-scald protection thanks to the "double skin" principle
- Intrinsically safe against backflow
- Pull-out aerator
 - Neoperl® Caché®
 - up to 600 mm pull-out length
 - hose surface to fit faucet surface
- Hose guide, swivelling 360°
- EasyLock - a pull-out spray that easily slides back into place
- OptimalSpace - ample space for washing or working
- KWC cartridge M 35 H
 - with ceramic discs
 - flow rate and temperature continuously variable
- Fastening by means of threaded sleeve M35 x 1.5 (preassembled socket)
- Mounting hole size ø35 - 37 mm

Flow rate 11 l/min (3 bar)
Acoustic group 2





SAP Number	Article Number
chromeline, A 225 123818	10.441.023.000FL
matt black, A 225 124748	10.441.023.176FL

LUNA E Lever mixer

- Lever mixer
- Swivel spout 160°
 - Neoperl® Cascade®
- KWC cartridge M 35
 - with ceramic discs
 - flow rate and temperature continuously variable
- Fastening by means of threaded sleeve M33 x 1.5
- Mounting hole size ø35 mm

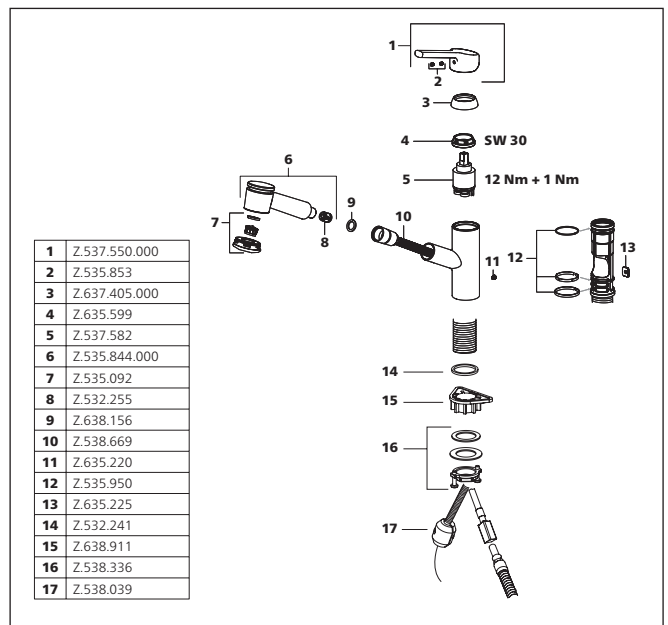
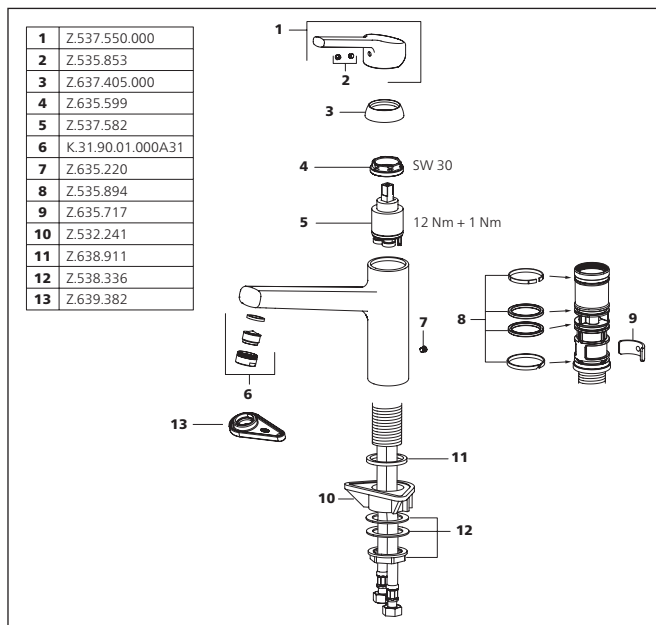
Flow rate 12 l/min (3 bar)
Acoustic group I

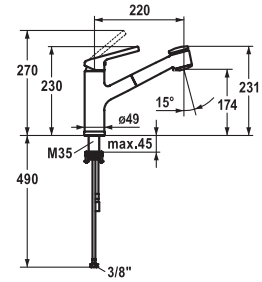
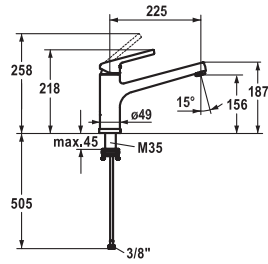
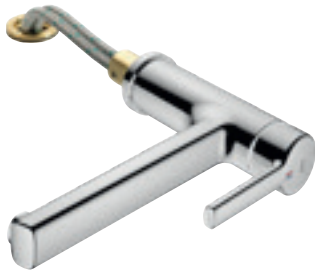
SAP Number	Article Number
chromeline, A220 123820	10.441.033.000FL
matt black, A220 124751	10.441.033.176FL

LUNA E Lever mixer

- Lever mixer
- TouchProtect
 - anti-scald protection thanks to the "double skin" principle
- Pull-out spray
 - SprayClean
 - easy to clean and actively prevents limescale buildup
 - up to 600 mm pull-out length
 - PowerClean - needle spray mode, with automatic diverter reset
 - QuickConnect - Simple hose connection system
- Hose guide, swivelling 130°
- EasyLock - a pull-out spray that easily slides back into place
- KWC cartridge M 35
 - with ceramic discs
 - flow rate and temperature continuously variable
- Fastening by means of threaded sleeve M33 x 1.5
- Mounting hole size ø35 mm

Flow rate normal spray 10 l/min (3 bar)
Flow rate needle spray 10 l/min (3 bar)
Acoustic group 2





SAP Number	Article Number
chromeline, A225	
125135	10.441.043.000FL

LUNA E Lever mixer

- Lever mixer
- Detachable for installation below windows - detached 55 mm
- Swivel spout 160°
 - Neoperl® Cascade®
- KWC cartridge M 35
 - with ceramic discs
 - flow rate and temperature continuously variable
- Fastening by means of threaded sleeve M35 x 1.5 (preassembled socket)
- Mounting hole size $\varnothing 35 - 37$ mm

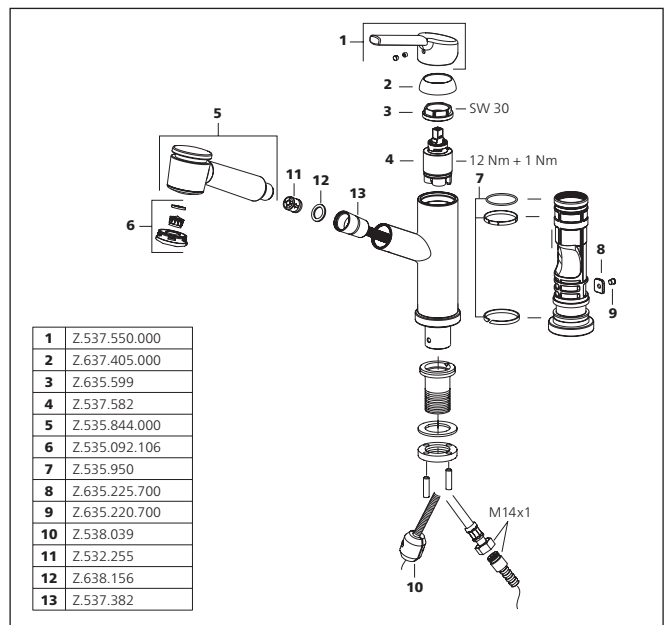
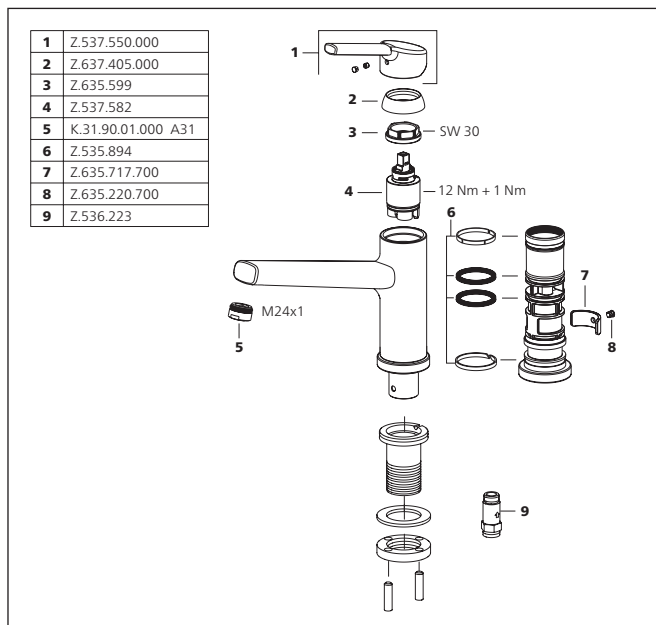
Flow rate 12 l/min (3 bar)
Acoustic group I

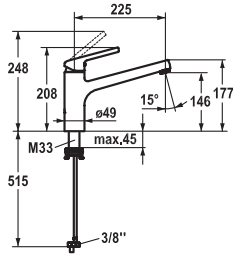
SAP Number	Article Number
chromeline, A220	
125136	10.441.053.000FL

LUNA E Lever mixer

- Lever mixer
- Detachable for installation below windows - detached 55 mm
- TouchProtect
 - anti-scald protection thanks to the "double skin" principle
- Pull-out spray
 - SprayClean
 - easy to clean and actively prevents limescale buildup
 - up to 600 mm pull-out length
 - PowerClean - needle spray mode, with automatic diverter reset
- Hose guide, swivelling 130°
- EasyLock - a pull-out spray that easily slides back into place
- KWC cartridge M 35
 - with ceramic discs
 - flow rate and temperature continuously variable
- Fastening by means of threaded sleeve M35 x 1.5 (preassembled socket)
- Mounting hole size $\varnothing 35 - 37$ mm

Flow rate normal spray 10 l/min (3 bar)
Flow rate needle spray 9 l/min (3 bar)
Acoustic group I



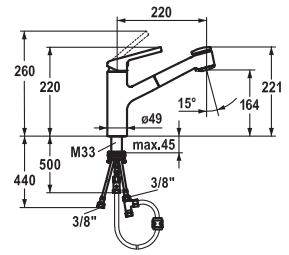


SAP Number	Article Number
chromeline, A225	
125137	10.445.023.000FL

LUNA E Lever mixer

- Lever mixer
- Swivel spout 160°
 - Neoperl® Cascade®
- KWC cartridge M 35
 - with ceramic discs
 - flow rate and temperature continuously variable
- QuickInstallation
 - Fastening via threaded connection with locking screws
- Mounting hole size ø35 mm

Flow rate 6 l/min (3 bar)
Acoustic group I



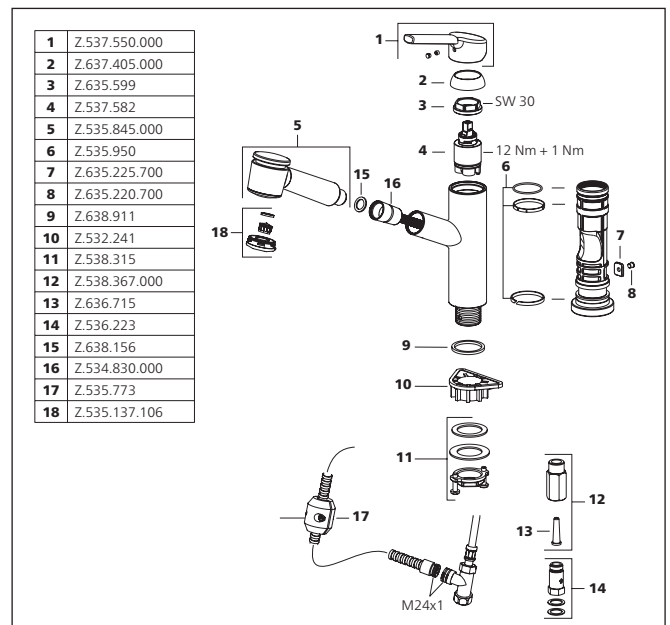
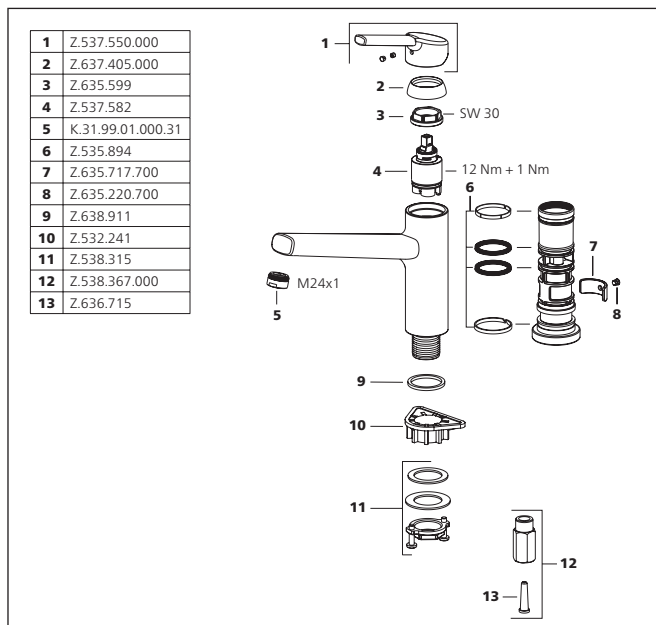
SAP Number	Article Number
chromeline, A220	
125138	10.445.033.000FL

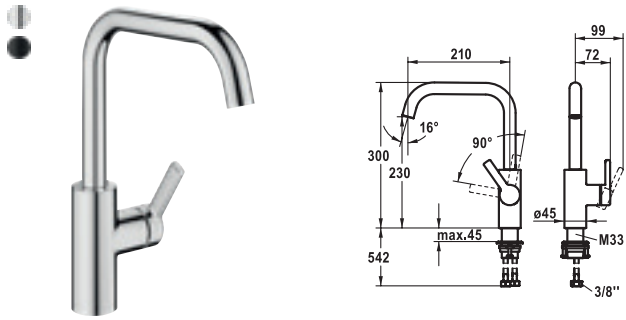
LUNA E Lever mixer - Kitchen

- Lever mixer
- TouchProtect
 - anti-scald protection thanks to the "double skin" principle
- Intrinsically safe against backflow
- Pull-out spray
 - SprayClean
 - easy to clean and actively prevents limescale buildup
 - up to 600 mm pull-out length
 - PowerClean - needle spray mode, with automatic diverter reset
- Hose guide, swivelling 130°
- EasyLock - a pull-out spray that easily slides back into place
- KWC cartridge M 35
 - with ceramic discs
 - flow rate and temperature continuously variable
- QuickInstallation
 - Fastening via threaded connection with locking screws
- Mounting hole size ø35 mm

Flow rate normal spray 7 l/min (3 bar)
Flow rate needle spray 7 l/min (3 bar)
Acoustic group I

Faucets for the kitchen



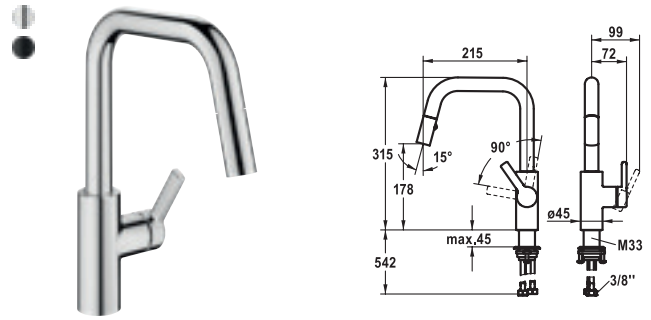


SAP Number	Article Number
chromeline, A210 125131	10.441.013.000FL
matt black, A210 125132	10.441.013.176FL

LUNA E Lever mixer

- Lever mixer
- Lever installation only possible on the right side
 - Child safety: cold water flow in lever position towards the front
- gap between wall and centre of mounting hole min. 25 mm
- SwivelStop - swivel spout 360°, limitable to 150°
 - Neoperl® Caché®
- KWC cartridge M 35 S
 - with ceramic discs
 - flow rate and temperature continuously variable
- QuickInstallation
 - Fastening via threaded connection with locking screws
- Mounting hole size ø35 mm

Flow rate 12 l/min (3 bar)
Acoustic group I

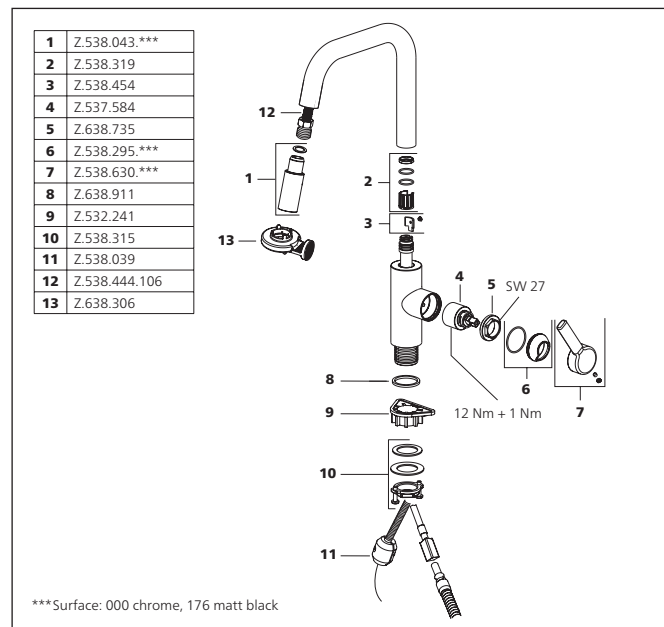
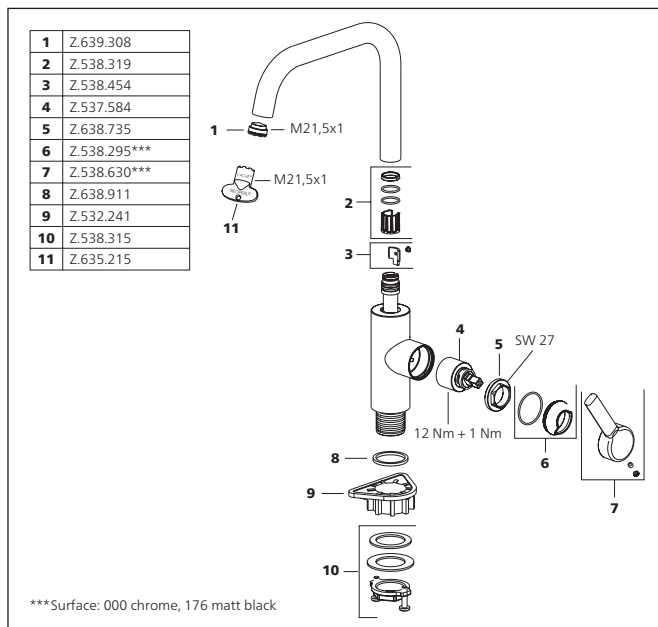


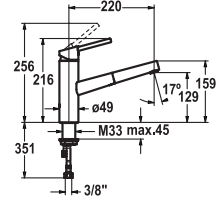
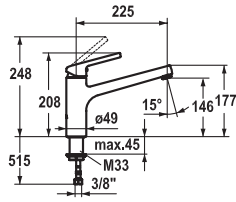
SAP Number	Article Number
chromeline, A215 125133	10.441.004.000FL
matt black, A215 125134	10.441.004.176FL

LUNA E Lever mixer - Kitchen

- Lever mixer
- Lever installation only possible on the right side
 - Child safety: cold water flow in lever position towards the front
- gap between wall and centre of mounting hole min. 25 mm
- TouchProtect
 - anti-scald protection thanks to the "double skin" principle
- Pull-out spray
 - Neoperl® Cascade®
 - PowerClean - needle spray mode, with automatic diverter reset
 - up to 400 mm pull-out length
 - black fabric hose
 - QuickConnect - Simple hose connection system
- SwivelStop - hose guide, swivelling 360°, limitable to 150°
- KWC cartridge M 35 S
 - with ceramic discs
 - flow rate and temperature continuously variable
- QuickInstallation
 - Fastening via threaded connection with locking screws
- Mounting hole size ø35 mm

Flow rate normal spray 8 l/min (3 bar)
Flow rate needle spray 8 l/min (3 bar)
Acoustic group I





SAP Number	Article Number
chromeline, A 235 123840	10.441.023.700FL

LUNA E Lever mixer

- Lever mixer
- Swivel spout 160°
 - Neoperl® Cascade®
- KWC cartridge M 35
 - with ceramic discs
 - flow rate and temperature continuously variable
- Fastening by means of threaded sleeve M33 x 1.5
- Mounting hole size ø35 mm

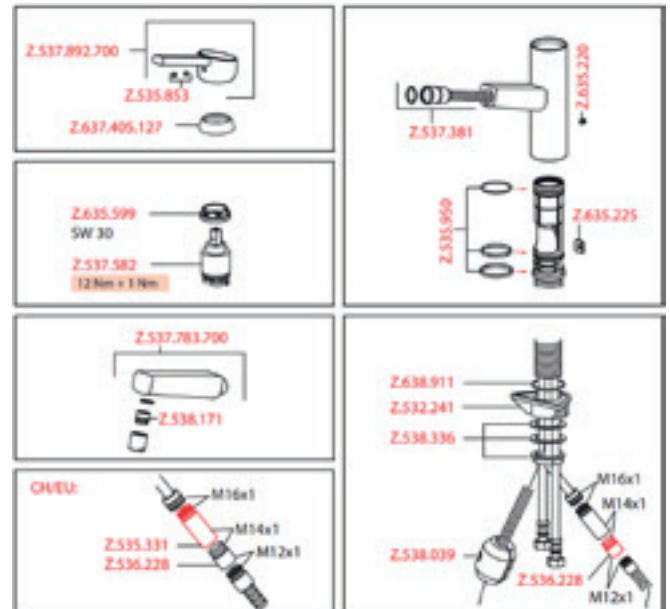
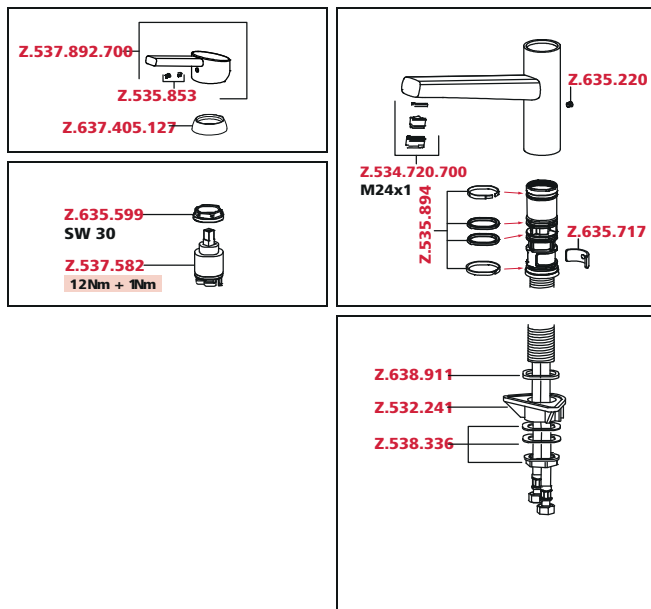
Flow rate 12 l/min (3 bar)
Acoustic group I

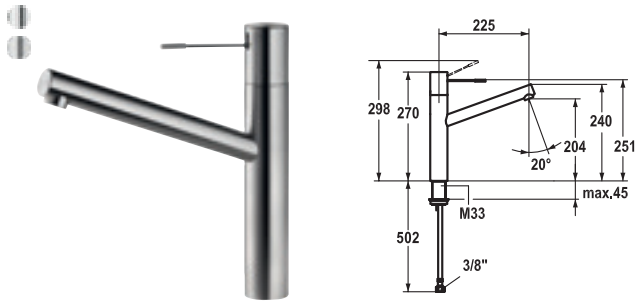
SAP Number	Article Number
stainless steel, A 220, flexible connection hoses 3/8" 123841	10.441.113.700FL

LUNA E Lever mixer

- Lever mixer
- TouchProtect
 - anti-scald protection thanks to the "double skin" principle
- Pull-out aerator
 - Neoperl® Caché®
 - up to 600 mm pull-out length
- Hose guide, swivelling 130°
- EasyLock - a pull-out spray that easily slides back into place
- KWC cartridge M 35
 - with ceramic discs
 - flow rate and temperature continuously variable
- Fastening by means of threaded sleeve M33 x 1.5
- Mounting hole size ø35 mm

Flow rate normal spray 9 l/min (3 bar)
Flow rate needle spray 9 l/min (3 bar)
Acoustic group 2



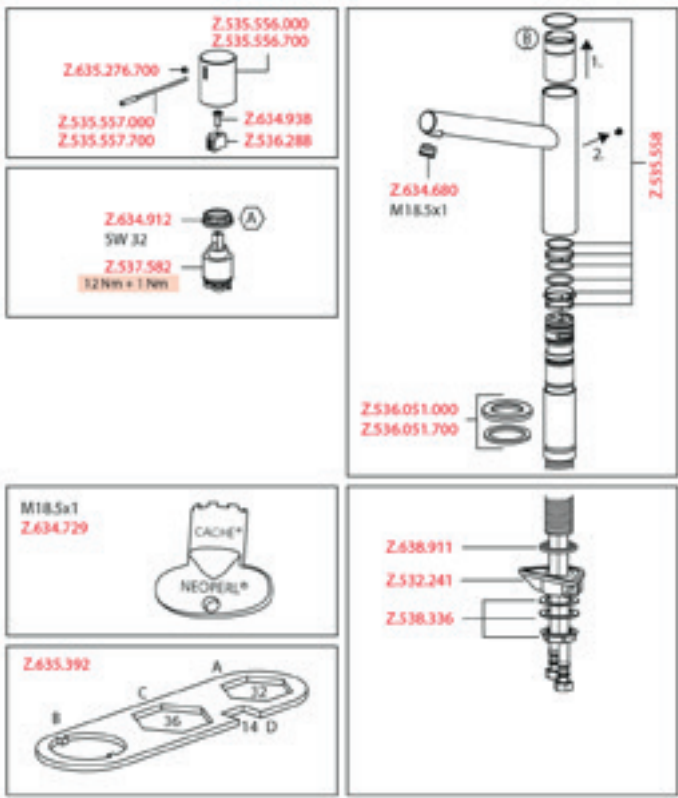


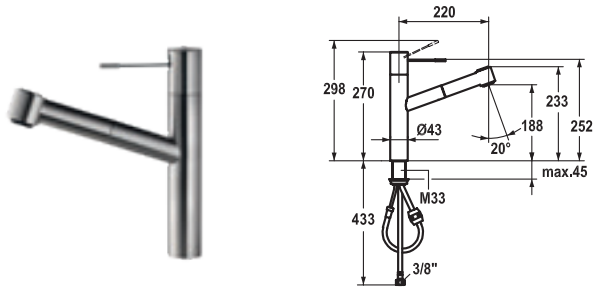
SAP Number	Article Number
stainless steel, A 225, flexible connection hoses 3/8"	
121492	10.151.023.700FL
chromeline, A 225, flexible connection hoses 3/8"	
121794	10.151.023.000FL

ONO Lever mixer - Kitchen

- Lever mixer
- Surgical-grade hardened stainless steel lever
- Swivel spout 270°
 - Neoperl® Caché®
- KWC cartridge M 35 H
 - with ceramic discs
 - flow rate and temperature continuously variable
- Fastening by means of threaded sleeve M33 x 1.5
- Mounting hole size ø35 mm

Flow rate 12 l/min (3 bar)
Acoustic group I





SAP Number	Article Number
stainless steel, A 220, flexible connection hoses 3/8"	
121488	10.151.033.700FL
chromeline, A 220, flexible connection hoses 3/8"	
121791	10.151.033.000FL

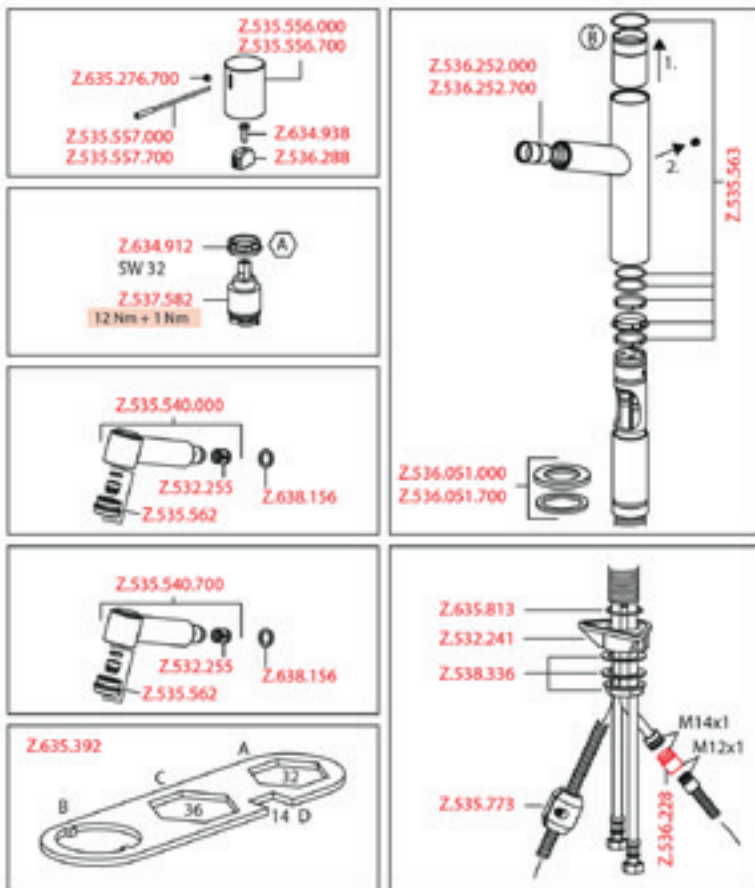
ONO Lever mixer - Kitchen

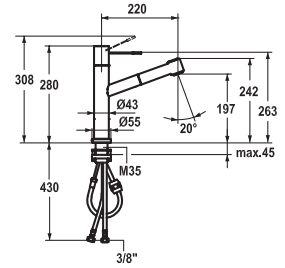
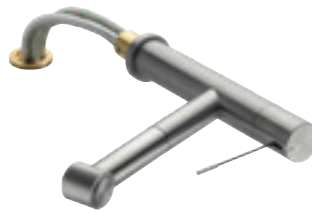
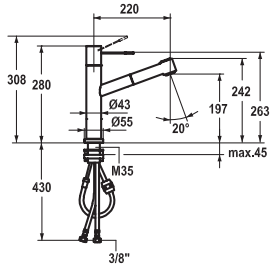
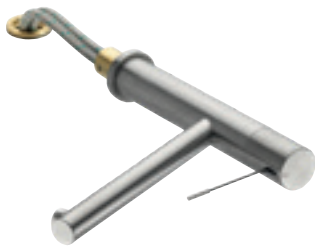
- Lever mixer
- Surgical-grade hardened stainless steel lever
- TouchProtect
 - anti-scald protection thanks to the "double skin" principle
- Pull-out spray
 - SprayClean
 - easy to clean and actively prevents limescale buildup
 - up to 700 mm pull-out length
 - PowerClean - needle spray mode, with automatic diverter reset
 - hose surface to fit faucet surface

- Hose guide, swivelling 105°
- EasyLock - a pull-out spray that easily slides back into place
- KWC cartridge M 35 H
 - with ceramic discs
 - flow rate and temperature continuously variable
- Fastening by means of threaded sleeve M33 x 1.5
- Mounting hole size ø35 mm

Flow rate normal spray 12 l/min (3 bar)
 Flow rate needle spray 13 l/min (3 bar)
 Acoustic group 2

Faucets for the kitchen





SAP Number	Article Number
stainless steel, A 220, flexible connection hoses 3/8"	
123113	10.151.043.700FL

SAP Number	Article Number
stainless steel, A 220, flexible connection hoses 3/8"	
123114	10.151.053.700FL

ONO Lever mixer - Kitchen - detachable

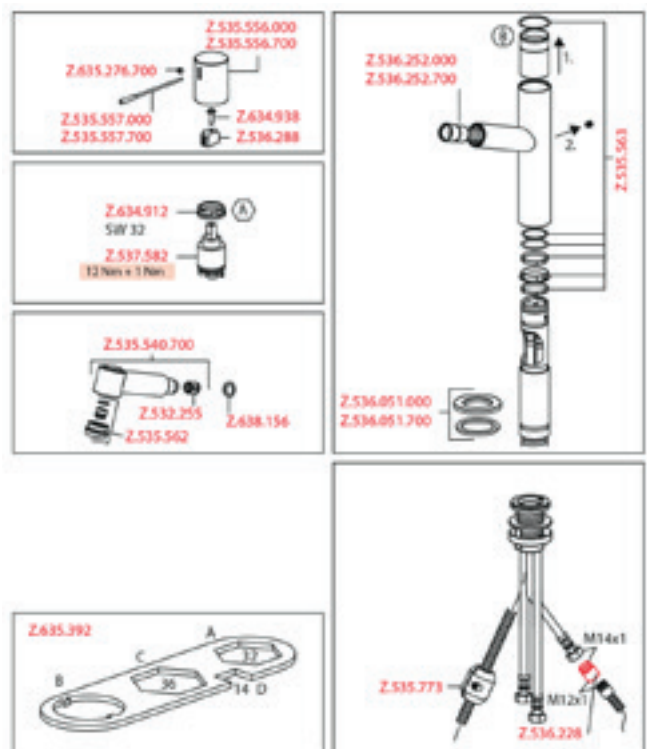
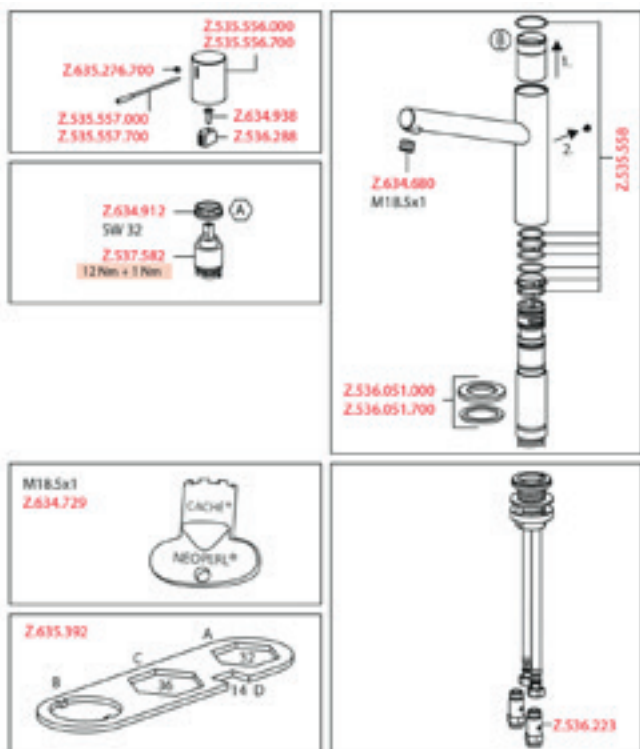
- Lever mixer
- Detachable for installation below windows - detached 55 mm
- Surgical-grade hardened stainless steel lever
- Intrinsically safe against backflow
- Swivel spout 270°
 - Neoperl® Caché®
- KWC cartridge M 35 H
 - with ceramic discs
 - flow rate and temperature continuously variable
- Fastening by means of threaded sleeve M35 x 1.5 (preassembled socket)
- Mounting hole size ø35 - 37 mm

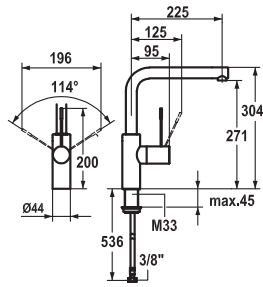
Flow rate 11 l/min (3 bar)
Acoustic group I

ONO Lever mixer - Kitchen - detachable

- Lever mixer
- Detachable for installation below windows - detached 55 mm
- Surgical-grade hardened stainless steel lever
- TouchProtect
 - anti-scald protection thanks to the "double skin" principle
- Intrinsically safe against backflow
- Pull-out spray
 - SprayClean
 - easy to clean and actively prevents limescale buildup
 - up to 700 mm pull-out length
 - PowerClean - needle spray mode, with automatic diverter reset
 - hose surface to fit faucet surface
- Hose guide, swivelling 105°
- EasyLock - a pull-out spray that easily slides back into place
- KWC cartridge M 35 H
 - with ceramic discs
 - flow rate and temperature continuously variable
- Fastening by means of threaded sleeve M35 x 1.5 (preassembled socket)
- Mounting hole size ø35 - 37 mm

Flow rate normal spray 9 l/min (3 bar)
Flow rate needle spray 9 l/min (3 bar)
Acoustic group 2



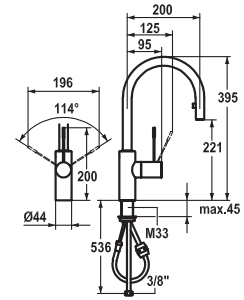


SAP Number	Article Number
chromeline, A 225, flexible connection hoses 3/8"	
121858	10.151.013.000FL

ONO Lever mixer - Kitchen

- Lever mixer
- Lever installation possible on the right or left side
- Surgical-grade hardened stainless steel lever
- Swivel spout 360°
- Neoperl® Caché®
- OptimalSpace - ample space for washing or working
- KWC cartridge M 35 H
- with ceramic discs
- flow rate and temperature continuously variable
- Fastening by means of threaded sleeve M33 x 1.5
- Mounting hole size ø35 mm
- To be ordered separately (optional or if necessary):
- Short lever, L 70 mm Z.535.995

Flow rate 12 l/min (3 bar)
Acoustic group I



SAP Number	Article Number
stainless steel, A 200, flexible connection hoses 3/8"	
121496	10.151.102.700FL

chromeline, A 200, flexible connection hoses 3/8"	
121797	10.151.102.000FL

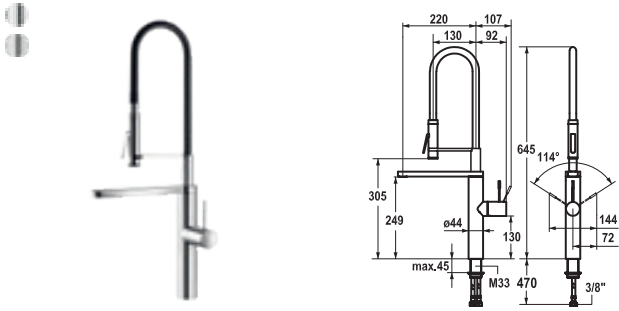
ONO Lever mixer - Kitchen

- Lever mixer
- Lever installation possible on the right or left side
- Surgical-grade hardened stainless steel lever
- TouchProtect
- anti-scald protection thanks to the "double skin" principle
- Pull-out aerator covered
- Neoperl® Caché®
- up to 700 mm pull-out length
- hose surface to fit faucet surface
- Hose guide, swivelling 360°
- EasyLock - a pull-out spray that easily slides back into place
- OptimalSpace - ample space for washing or working
- KWC cartridge M 35 H
- with ceramic discs
- flow rate and temperature continuously variable
- Fastening by means of threaded sleeve M33 x 1.5
- Mounting hole size ø35 mm
- To be ordered separately (optional or if necessary):
- Short lever, L 70 mm Z.535.995

Flow rate 9 l/min (3 bar)
Acoustic group 2

	optional
	M18.5x1

	CHUEZ
	M18.5x1

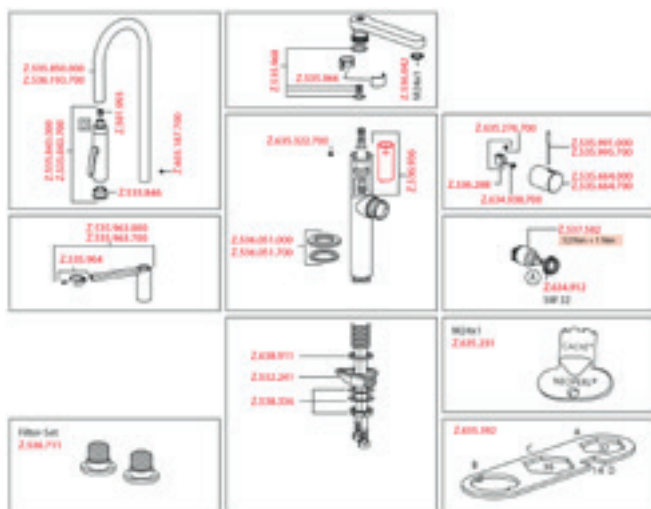


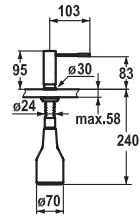
SAP Number	Article Number
chromeline, A 220, flexible connection hoses 3/8"	
121753	10.151.423.000FL
stainless steel, A 220, flexible connection hoses 3/8"	
122252	10.151.423.700FL

ONO Lever mixer - Kitchen

- Lever mixer
- HighFlex patented spring hose technology
- Lever installation possible on the right or left side
- Surgical-grade hardened stainless steel lever
- TouchProtect
 - anti-scald protection thanks to the "double skin" principle
- Integrated vacuum diversion
- EasyLock - a pull-out spray that easily slides back into place
- Swivel spout 360°
 - Neoperl® SLIM®
- Professional spray 360° turn
 - SprayClean
 - easy to clean and actively prevents limescale buildup
 - PowerClean - needle spray mode
- OptimalSpace - ample space for washing or working
- KWC cartridge M 35 H
 - with ceramic discs
 - flow rate and temperature continuously variable
- Fastening by means of threaded sleeve M33 x 1.5
- Mounting hole size ø35 mm
- Scope of delivery:
 - Spray holder Z.535.963

Flow rate 11 l/min (3 bar)
 Spray: Flow rate 3 l/min (3 bar)
 Acoustic group I

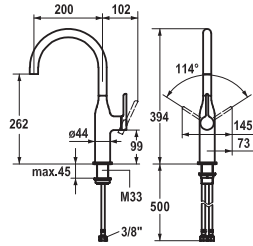




SAP Number	Article Number
chromeline	
536060	Z.536.060.000
stainless steel	
536061	Z.536.060.700

ONO Soap dispenser

- Soap dispenser KWC ONO
- Easily refillable from top without disassembly
- Mounting hole size $\varnothing 26$ mm
- Scope of delivery:
 - Pump
 - Soap container, filling capacity 350 ml Z.635.713
- To be ordered separately (optional or if necessary):
 - Escutcheon Z.536.291.000

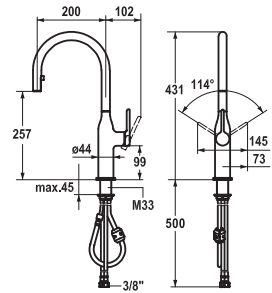


SAP Number	Article Number
chromeline, A 200, flexible connection hoses 3/8"	
122286	10.261.012.000FL

SIN Lever mixer - Kitchen

- Lever mixer
- Lever installation possible on the right or left side
- Swivel spout 160°
 - Neoperl® Caché®
- OptimalSpace - ample space for washing or working
- KWC cartridge S 25
 - with ceramic discs
 - flow rate and temperature continuously variable
- Fastening by means of threaded sleeve M33 x 1.5
- Mounting hole size ø35 mm

Flow rate 12 l/min (3 bar)
Acoustic group I

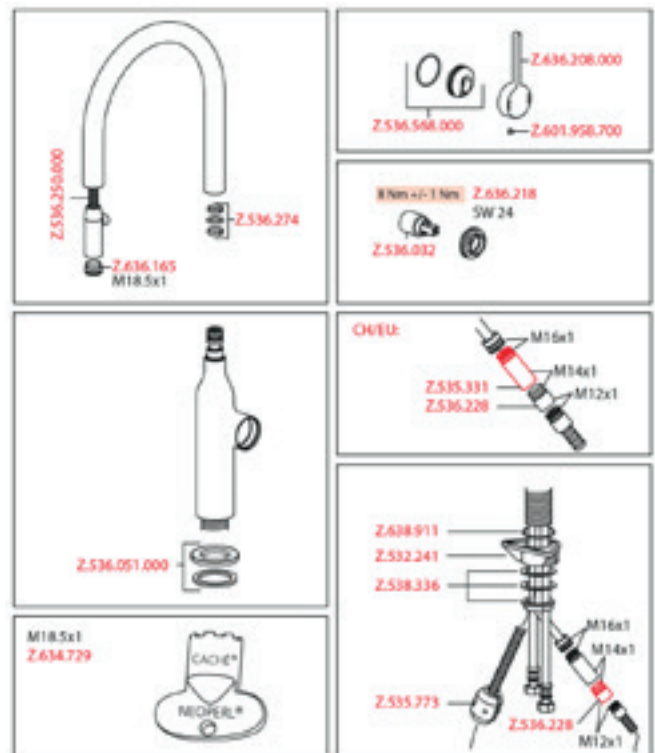
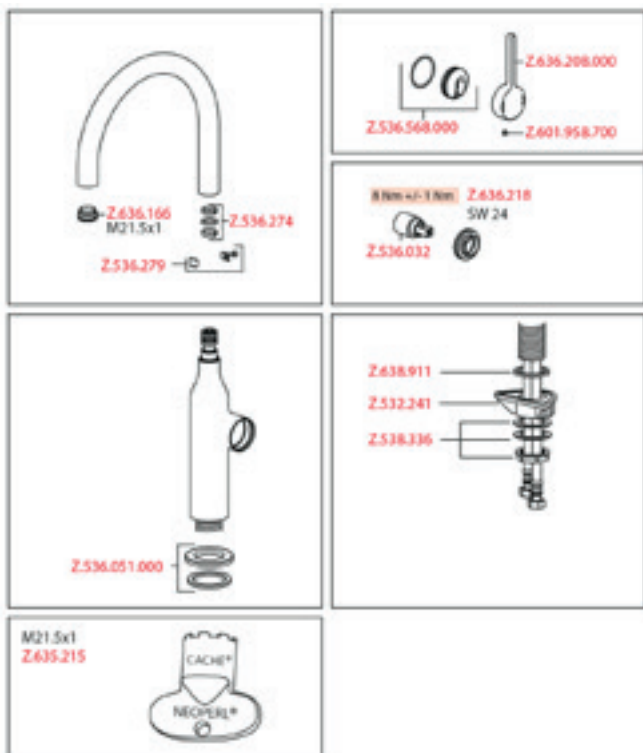


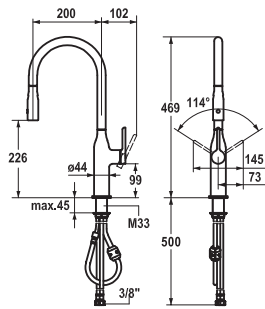
SAP Number	Article Number
chromeline, A 200, flexible connection hoses 3/8"	
122284	10.261.102.000FL

SIN Lever mixer - Kitchen

- Lever mixer
- Lever installation possible on the right or left side
- TouchProtect
 - anti-scald protection thanks to the "double skin" principle
- Pull-out aerator covered
 - Neoperl® Caché®
 - up to 500 mm pull-out length
 - hose surface to fit faucet surface
- Hose guide, swivelling 360°
- EasyLock - a pull-out spray that easily slides back into place
- OptimalSpace - ample space for washing or working
- KWC cartridge S 25
 - with ceramic discs
 - flow rate and temperature continuously variable
- Fastening by means of threaded sleeve M33 x 1.5
- Mounting hole size ø35 mm

Flow rate 10 l/min (3 bar)
Acoustic group I



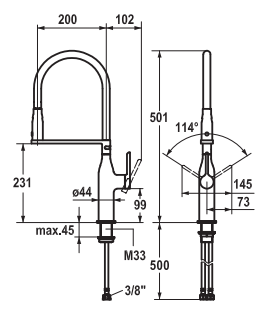
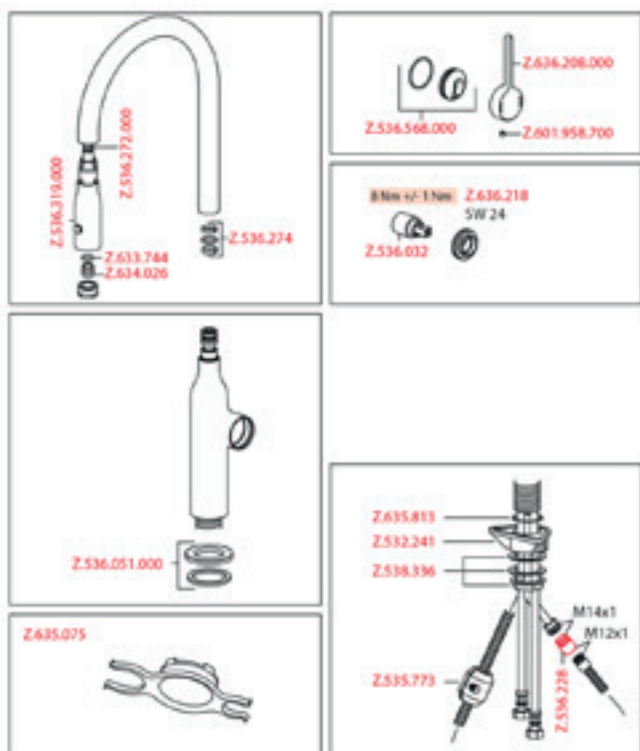


SAP Number	Article Number
chromeline, A 200, flexible connection hoses 3/8"	
122282	10.261.002.000FL

SIN Lever mixer - Kitchen

- Lever mixer
- Lever installation possible on the right or left side
- TouchProtect
 - anti-scald protection thanks to the "double skin" principle
- Pull-out spray 360° turn
 - SprayClean
 - easy to clean and actively prevents limescale buildup
 - Neoperl® Caché®
 - PowerClean - needle spray mode, with automatic diverter reset
 - up to 500 mm pull-out length
 - hose surface to fit faucet surface
- Hose guide, swivelling 360°
- EasyLock - a pull-out spray that easily slides back into place
- OptimalSpace - ample space for washing or working
- KWC cartridge S 25
 - with ceramic discs
 - flow rate and temperature continuously variable
- Fastening by means of threaded sleeve M33 x 1.5
- Mounting hole size ø35 mm

Flow rate normal spray 7 l/min (3 bar)
 Flow rate needle spray 6 l/min (3 bar)
 Acoustic group I

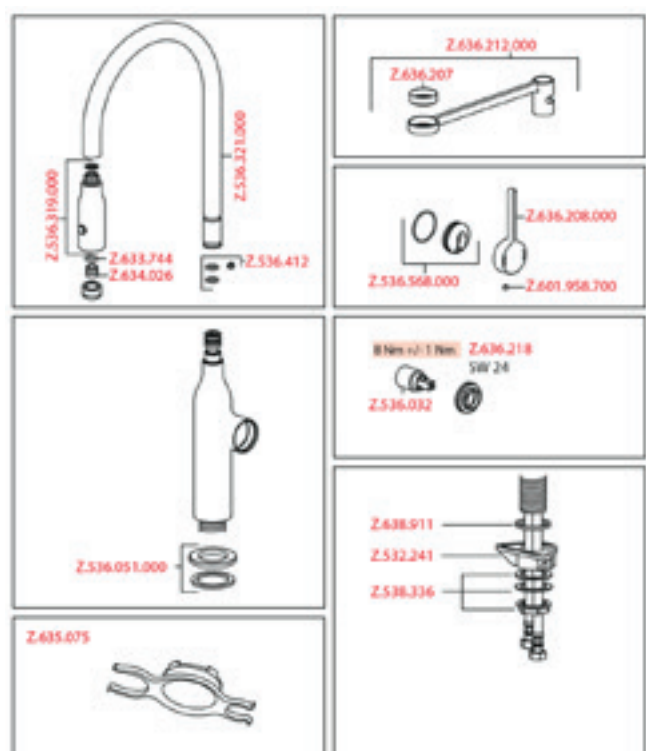


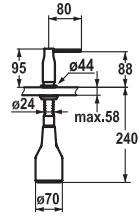
SAP Number	Article Number
chromeline, A 200, flexible connection hoses 3/8"	
122280	10.261.432.000FL

SIN Lever mixer - Kitchen

- Lever mixer
- HighFlex patented spring hose technology
- Lever installation possible on the right or left side
- TouchProtect
 - anti-scald protection thanks to the "double skin" principle
- Spray 360° turn
 - SprayClean
 - easy to clean and actively prevents limescale buildup
 - Neoperl® Caché®
 - PowerClean - needle spray mode, with automatic diverter reset
- EasyLock - a pull-out spray that easily slides back into place
- Swivel spout 360°
- OptimalSpace - ample space for washing or working
- KWC cartridge S 25
 - with ceramic discs
 - flow rate and temperature continuously variable
- Fastening by means of threaded sleeve M33 x 1.5
- Mounting hole size ø35 mm

Flow rate normal spray 8 l/min (3 bar)
 Flow rate needle spray 6 l/min (3 bar)
 Acoustic group I

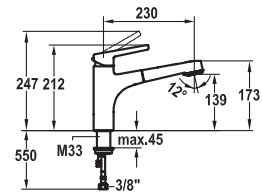
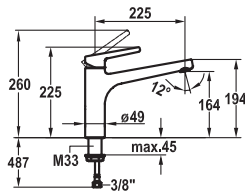




SAP Number	Article Number
chromeline	
536332	Z.536.332.000

SIN Soap dispenser

- Soap dispenser KWC SIN
- Easily refillable from top without disassembly
- Mounting hole size ø26 mm
- Scope of delivery:
 - Pump
 - Soap container, filling capacity 350 ml Z.635.713



SAP Number	Article Number
chromeline, A 225, flexible connection hoses 3/8"	
123952	10.171.023.000FL

SUNO Lever mixer - Kitchen

- Lever mixer
- Swivel spout 160°
 - Neoperl® Cascade®
- KWC cartridge M 35 H
 - with ceramic discs
 - flow rate and temperature continuously variable
- Fastening by means of threaded sleeve M33 x 1.5
- Mounting hole size ø35 mm

Flow rate 12 l/min (3 bar)
Acoustic group I

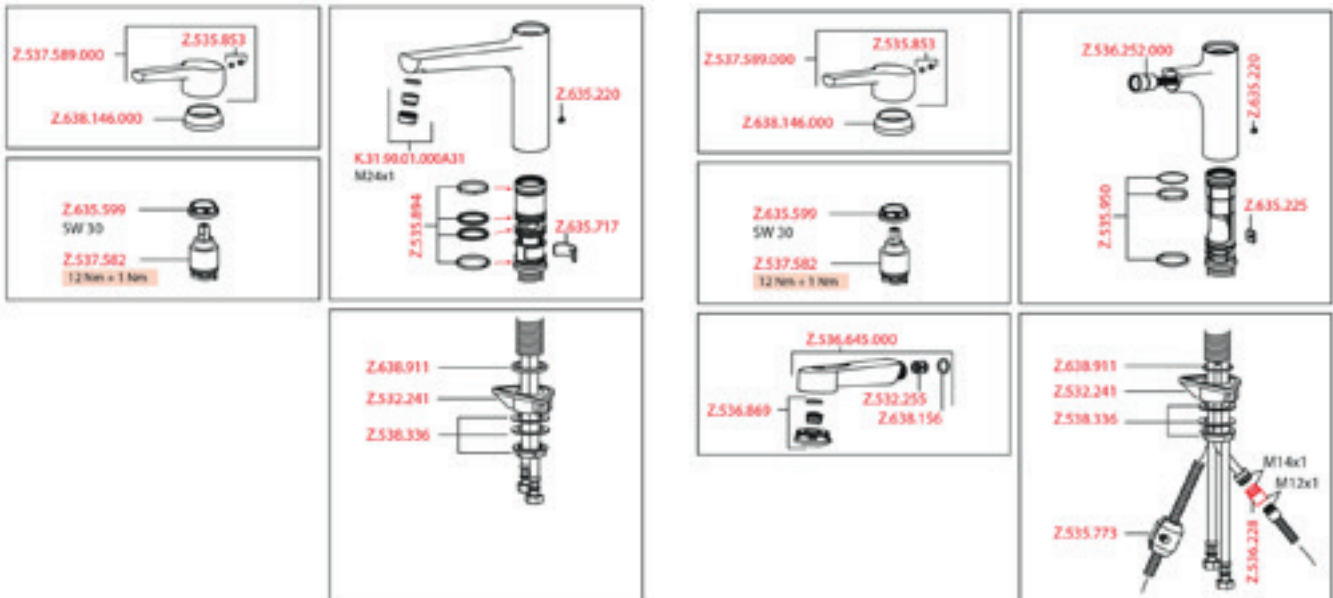
SAP Number	Article Number
chromeline, A 230, flexible connection hoses 3/8"	
123959	10.171.033.000FL

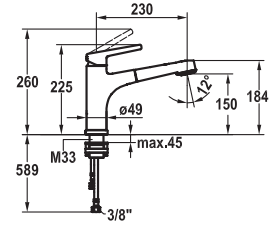
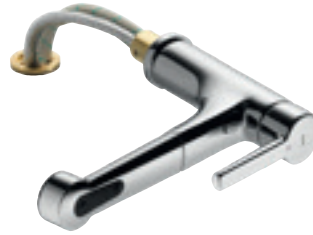
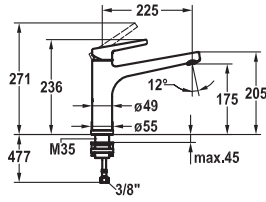
SUNO Lever mixer - Kitchen

- Lever mixer
- TouchProtect
 - anti-scald protection thanks to the "double skin" principle
- Pull-out spray
 - SprayClean
 - easy to clean and actively prevents limescale buildup
 - up to 600 mm pull-out length
 - PowerClean - needle spray mode, with automatic diverter reset
 - hose surface to fit faucet surface
- Hose guide, swivelling 130°
- EasyLock - a pull-out spray that easily slides back into place
- KWC cartridge M 35 H
 - with ceramic discs
 - flow rate and temperature continuously variable
- Fastening by means of threaded sleeve M33 x 1.5
- Mounting hole size ø35 mm

Flow rate normal spray 11 l/min (3 bar)
Flow rate needle spray 11 l/min (3 bar)
Acoustic group I

Faucets for the kitchen





SAP Number	Article Number
chromeline, A 225, flexible connection hoses 3/8"	
123955	10.171.043.000FL

SUNO Lever mixer - Kitchen - detachable

- Lever mixer
- Detachable for installation below windows - detached 55 mm
- Intrinsicly safe against backflow
- Swivel spout 160°
 - Neoperl® Cascade®
- KWC cartridge M 35 H
 - with ceramic discs
 - flow rate and temperature continuously variable
- Fastening by means of threaded sleeve M35 x 1.5 (preassembled socket)
- Mounting hole size ø35 - 37 mm

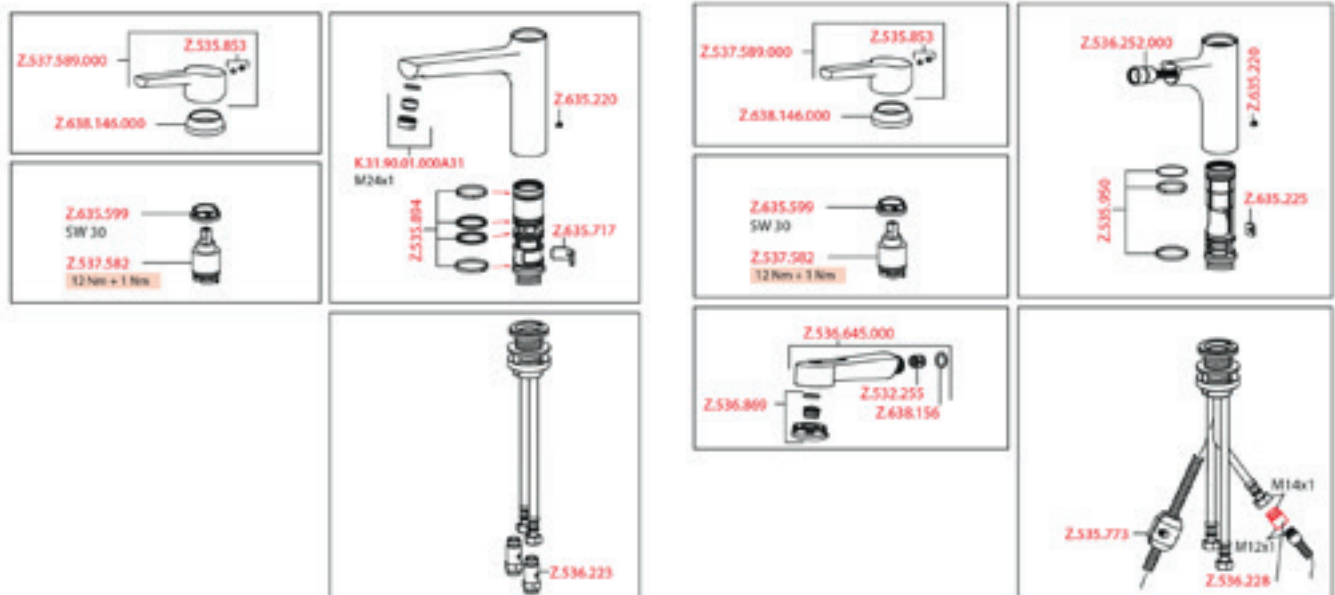
Flow rate 12 l/min (3 bar)
Acoustic group I

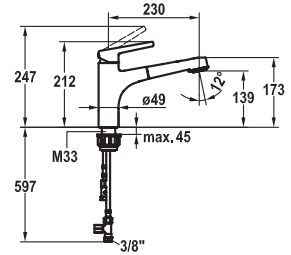
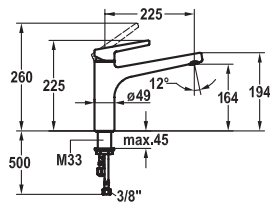
SAP Number	Article Number
chromeline, A 230, flexible connection hoses 3/8"	
123963	10.171.053.000FL

SUNO Lever mixer - Kitchen - detachable

- Lever mixer
- Detachable for installation below windows - detached 55 mm
- TouchProtect
 - anti-scald protection thanks to the "double skin" principle
- Intrinsicly safe against backflow
- Pull-out spray
 - SprayClean
 - easy to clean and actively prevents limescale buildup
 - up to 600 mm pull-out length
 - PowerClean - needle spray mode, with automatic diverter reset
 - hose surface to fit faucet surface
- Hose guide, swivelling 130°
- EasyLock - a pull-out spray that easily slides back into place
- KWC cartridge M 35 H
 - with ceramic discs
 - flow rate and temperature continuously variable
- Fastening by means of threaded sleeve M35 x 1.5 (preassembled socket)
- Mounting hole size ø35 - 37 mm

Flow rate normal spray 11 l/min (3 bar)
Flow rate needle spray 11 l/min (3 bar)
Acoustic group I





SAP Number	Article Number
chromeline, A 225, flexible connection hoses 3/8"	
123954	10.175.023.000FL

SUNO Lever mixer - Kitchen - Low pressure

- Lever mixer
- Swivel spout 160°
 - Jet regulator
- KWC cartridge M 35 H
 - with ceramic discs
 - flow rate and temperature continuously variable
- Fastening by means of threaded sleeve M33 x 1.5
- Mounting hole size ø35 mm

Flow rate 6 l/min (3 bar)
Acoustic group I

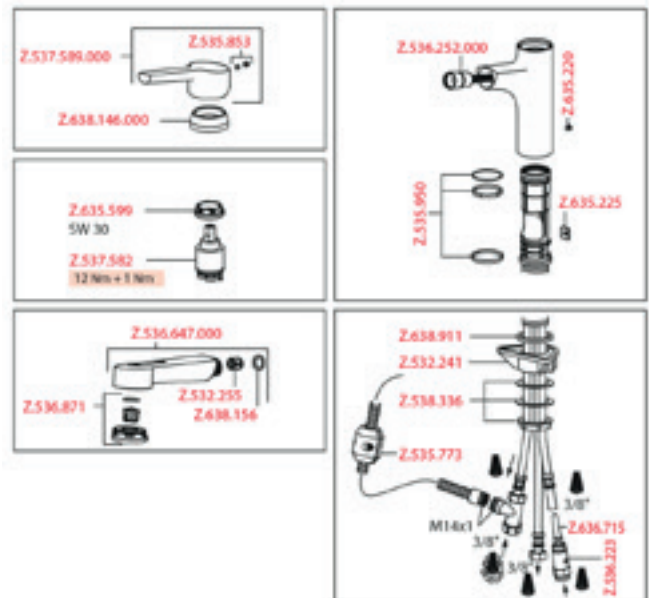
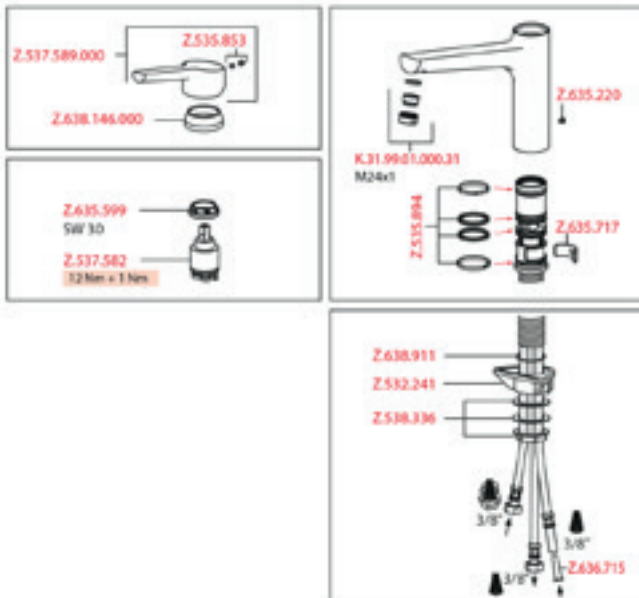


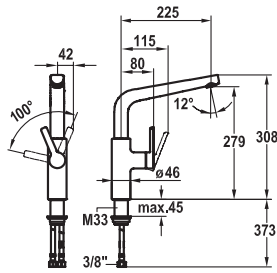
SAP Number	Article Number
chromeline, A 230, flexible connection hoses 3/8"	
123962	10.175.033.000FL

SUNO Lever mixer - Kitchen - Low pressure

- Lever mixer
- TouchProtect
 - anti-scald protection thanks to the "double skin" principle
- Pull-out spray
 - SprayClean
 - easy to clean and actively prevents limescale buildup
 - up to 600 mm pull-out length
 - PowerClean - needle spray mode, with automatic diverter reset
 - hose surface to fit faucet surface
- Hose guide, swivelling 130°
- EasyLock - a pull-out spray that easily slides back into place
- KWC cartridge M 35 H
 - with ceramic discs
 - flow rate and temperature continuously variable
- Fastening by means of threaded sleeve M33 x 1.5
- Mounting hole size ø35 mm

Flow rate normal spray 7 l/min (3 bar)
Flow rate needle spray 7 l/min (3 bar)
Acoustic group I



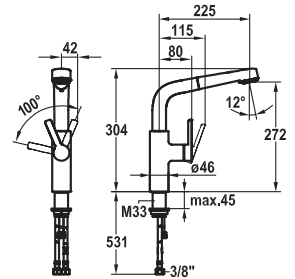


SAP Number	Article Number
chromeline, A 225, flexible connection hoses 3/8"	
123967	10.171.013.000FL

SUNO Lever mixer - Kitchen

- Lever mixer
- Lever installation only possible on the right side
 - Child safety: cold water flow in lever position towards the front
- gap between wall and centre of mounting hole min. 42 mm
- Swivel spout 360°
 - Neoperl® Cascade®
- OptimalSpace - ample space for washing or working
- KWC cartridge S 25
 - with ceramic discs
 - flow rate and temperature continuously variable
- Fastening by means of threaded sleeve M33 x 1.5
- Mounting hole size ø35 mm

Flow rate 10 l/min (3 bar)
Acoustic group 2

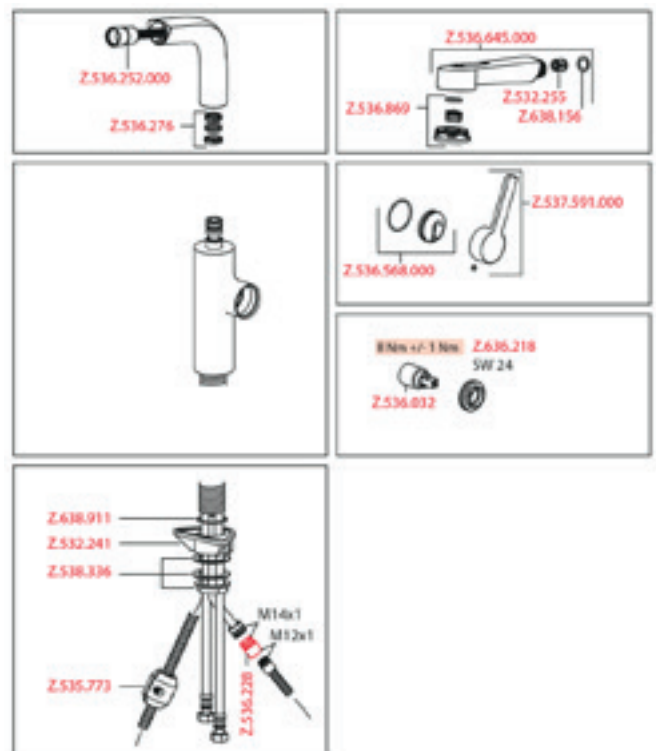
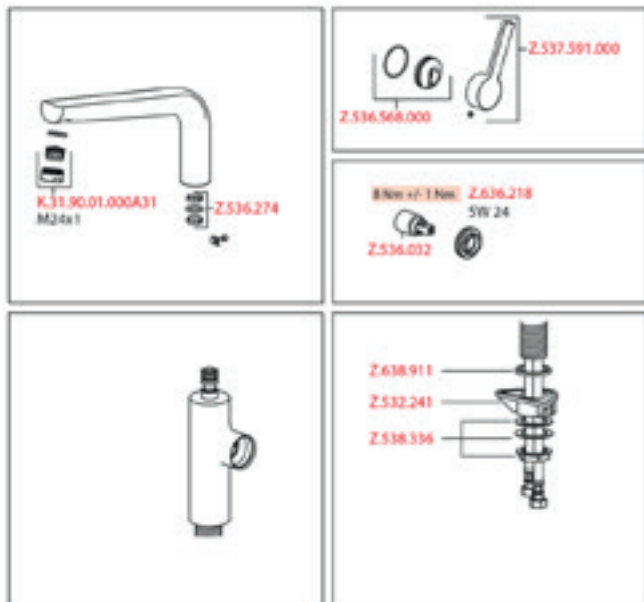


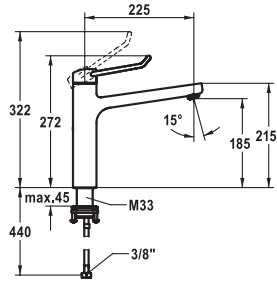
SAP Number	Article Number
chromeline, A 225, flexible connection hoses 3/8"	
123971	10.171.003.000FL

SUNO Lever mixer - Kitchen

- Lever mixer
- Lever installation only possible on the right side
 - Child safety: cold water flow in lever position towards the front
- gap between wall and centre of mounting hole min. 42 mm
- TouchProtect
 - anti-scald protection thanks to the "double skin" principle
- Pull-out spray
 - SprayClean
 - easy to clean and actively prevents limescale buildup
 - up to 600 mm pull-out length
 - PowerClean - needle spray mode, with automatic diverter reset
 - hose surface to fit faucet surface
- Hose guide, swivelling 360°
- EasyLock - a pull-out spray that easily slides back into place
- OptimalSpace - ample space for washing or working
- KWC cartridge S 25
 - with ceramic discs
 - flow rate and temperature continuously variable
- Fastening by means of threaded sleeve M33 x 1.5
- Mounting hole size ø35 mm

Flow rate normal spray 10 l/min (3 bar)
Flow rate needle spray 10 l/min (3 bar)
Acoustic group I





SAP Number	Article Number
chromeline, A 225, flexible connection hoses 3/8"	
125245	10.521.023.000FL
chromeline, A 225, flexible connection hoses 3/8"	
125246	10.521.023.000LLFL

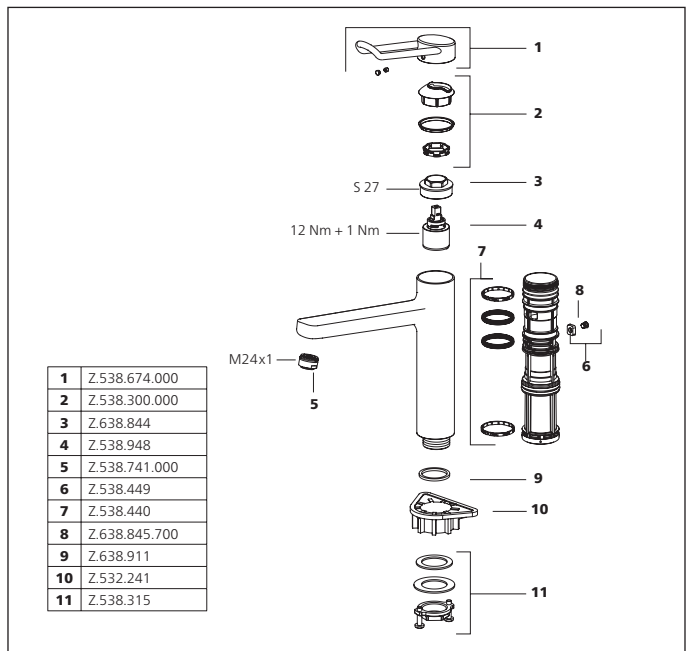
VITA PRO 2.0 Lever mixer - Kitchen

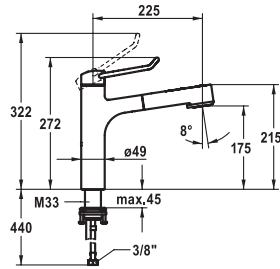
- Lever mixer
- Operation designed for a secure grip, as well as safe and easy handling
- Ergonomic and robust operating lever, made of polyamide
 - to adjust the handling even better to suit personal requirements, the offset lever can be installed so that it is twisted into the cap (standard: see illustration)
- Swivel spout 150°
 - Neoperl® Perlator® laminar

- OptimalSpace - ample space for washing or working
- KWC cartridge M 35 S
 - with ceramic discs
 - flow rate and temperature continuously variable
 - temperature limitation
- QuickInstallation
 - Fastening via threaded connection with locking screws
- Mounting hole size ø35 mm

Flow rate 12 l/min (3 bar)
Acoustic group I

Faucets for the kitchen





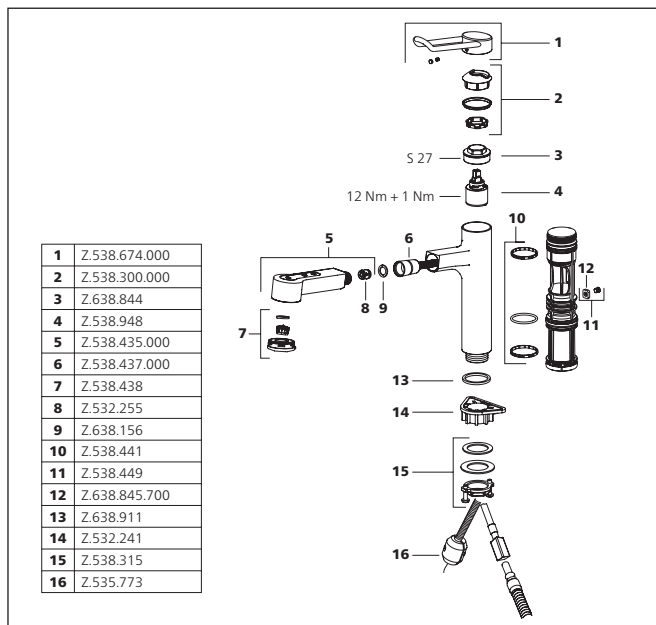
SAP Number	Article Number
chromeline, A 225, flexible connection hoses 3/8"	
125247	10.521.033.000FL
chromeline, A 225, flexible connection hoses 3/8"	
125248	10.521.033.000LLFL

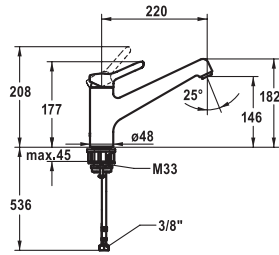
VITA PRO 2.0 Lever mixer - Kitchen

- Lever mixer
- Operation designed for a secure grip, as well as safe and easy handling
- Ergonomic and robust operating lever, made of polyamide
 - to adjust the handling even better to suit personal requirements, the offset lever can be installed so that it is twisted into the cap (standard: see illustration)
- TouchProtect
 - anti-scald protection thanks to the "double skin" principle
- Intrinsically safe against backflow
- Pull-out spray
 - SprayClean
 - easy to clean and actively prevents limescale buildup
 - up to 600 mm pull-out length
 - TripleClean - Normal, soft, and power stream modes
 - hose surface to fit faucet surface
 - QuickConnect - Simple hose connection system

- Hose guide, swivelling 120°
- EasyLock - a pull-out spray that easily slides back into place
- OptimalSpace - ample space for washing or working
- KWC cartridge M 35 S
 - with ceramic discs
 - flow rate and temperature continuously variable
 - temperature limitation
- QuickInstallation
 - Fastening via threaded connection with locking screws
- Mounting hole size ø35 mm

Flow rate normal spray 8 l/min (3 bar)
 Flow rate needle spray 9 l/min (3 bar)
 Acoustic group I





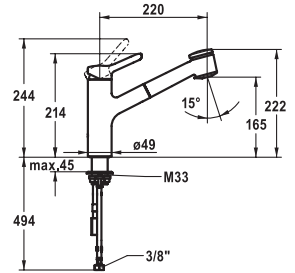
SAP Number Article Number

chromeline, A 220, flexible connection hoses 3/8"
125176 10.471.022.000FL

WAMAS 2.0 Lever mixer - Kitchen

- Lever mixer
- Swivel spout 160°
 - Neoperl® Perlator® SJR, swivelling jet regulator
- OptimalSpace - ample space for washing or working
- KWC cartridge M 35 H
 - with ceramic discs
 - flow rate and temperature continuously variable
- QuickInstallation
 - Fastening via threaded connection with locking screws
- Mounting hole size ø35 mm

Flow rate 12 l/min (3 bar)
 Acoustic group I



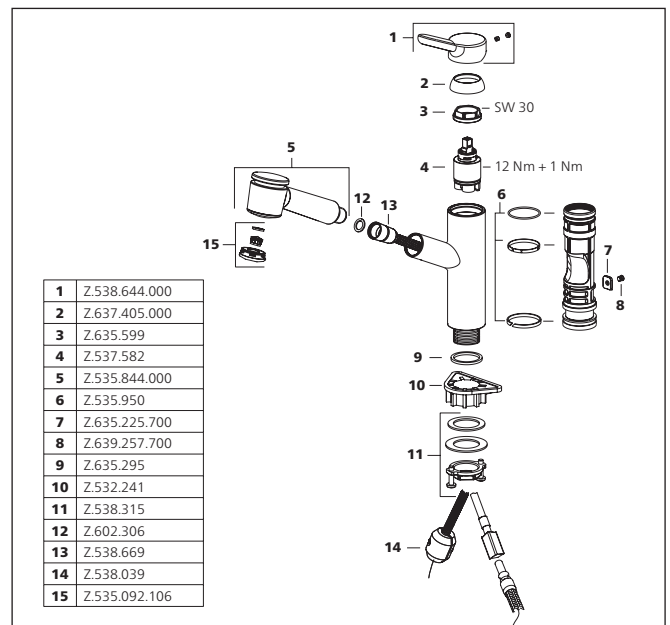
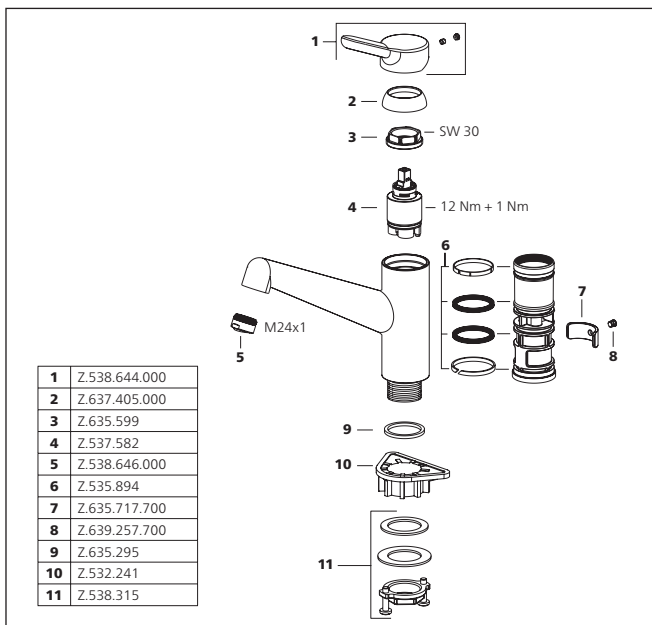
SAP Number Article Number

chromeline, A 220, flexible connection hoses 3/8"
125178 10.471.032.000FL

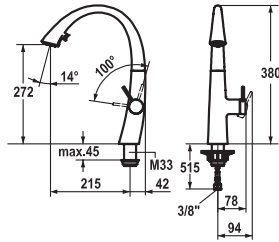
WAMAS 2.0 Lever mixer - Kitchen

- Lever mixer
- TouchProtect
 - anti-scald protection thanks to the "double skin" principle
- Intrinsically safe against backflow
- Pull-out spray
 - SprayClean
 - easy to clean and actively prevents limescale buildup
 - up to 600 mm pull-out length
 - hose surface to fit faucet surface
 - QuickConnect - Simple hose connection system
- Hose guide, swivelling 130°
- EasyLock - a pull-out spray that easily slides back into place
- OptimalSpace - ample space for washing or working
- KWC cartridge M 35 H
 - with ceramic discs
 - flow rate and temperature continuously variable
- QuickInstallation
 - Fastening via threaded connection with locking screws
- Mounting hole size ø35 mm

Flow rate normal spray 10 l/min (3 bar)
 Flow rate needle spray 10 l/min (3 bar)
 Acoustic group 2



Faucets for the kitchen



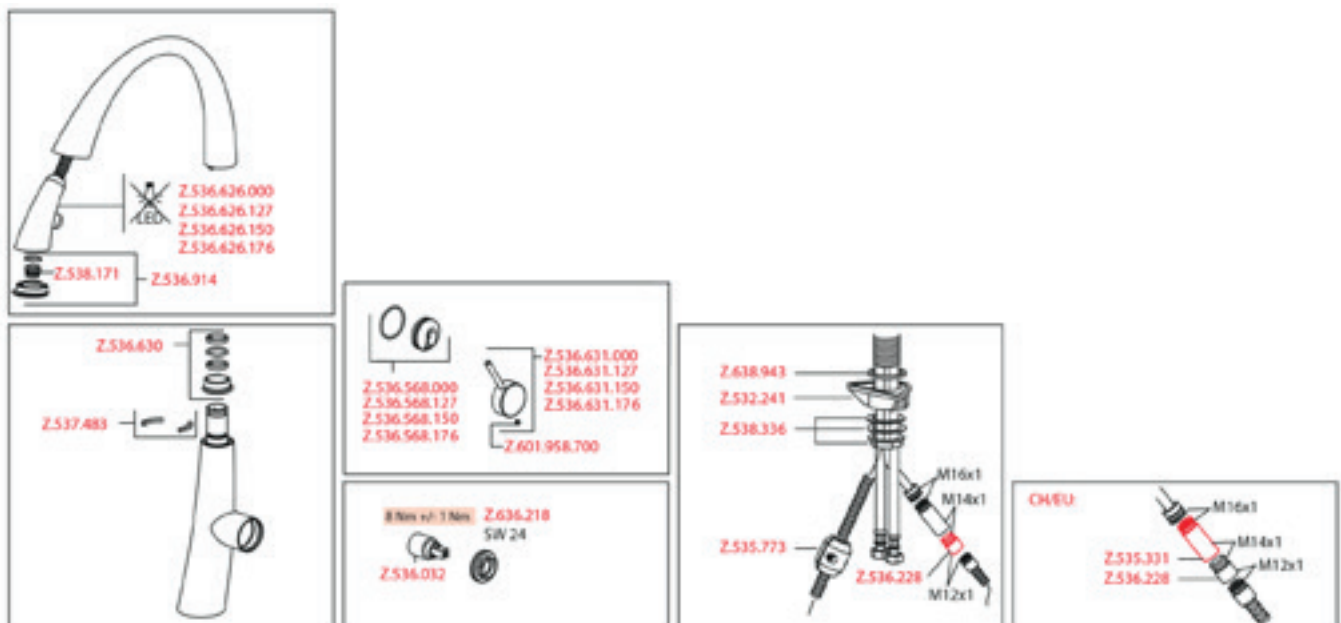
SAP Number	Article Number
chromeline, A 215, flexible connection hoses 3/8"	
122926	10.201.102.000FL
decor steel, A 215, flexible connection hoses 3/8"	
122931	10.201.102.127FL
glacier white, A 215, flexible connection hoses 3/8"	
123312	10.201.102.150FL
matt black, A 215, flexible connection hoses 3/8"	
124349	10.201.102.176FL

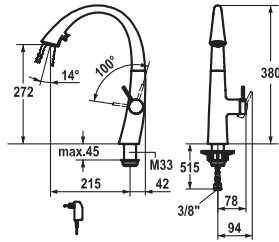
ZOE Lever mixer - Kitchen

- Lever mixer
- Lever installation only possible on the right side
 - Child safety: cold water flow in lever position towards the front
- gap between wall and centre of mounting hole min. 42 mm
- TouchProtect
 - anti-scald protection thanks to the "double skin" principle
- Covered pull-out spray
 - ergonomic spout alignment, shape and handling
 - SprayClean
 - easy to clean and actively prevents limescale buildup
 - Neoperl® Cascade®
 - PowerClean - needle spray mode, with automatic diverter reset
 - up to 500 mm pull-out length
 - hose surface to fit faucet surface

- SwivelStop - hose guide, swivelling 270° , limitable to 120°
- EasyLock - a pull-out spray that easily slides back into place
- OptimalSpace - ample space for washing or working
- KWC cartridge S 25
 - with ceramic discs
 - flow rate and temperature continuously variable
- Fastening by means of threaded sleeve M33 x 1.5
- Mounting hole size ø35 mm

Flow rate normal spray 8 l/min (3 bar)
 Flow rate needle spray 9 l/min (3 bar)
 Acoustic group 2





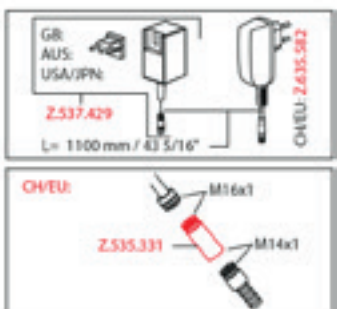
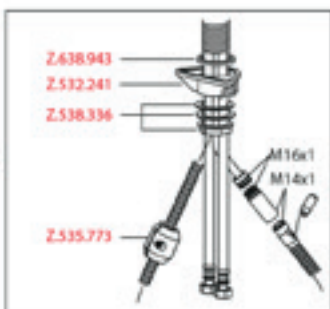
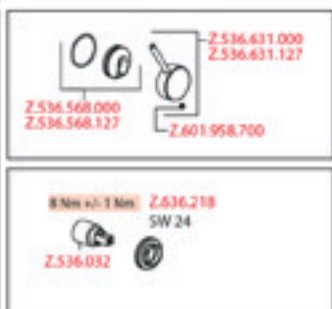
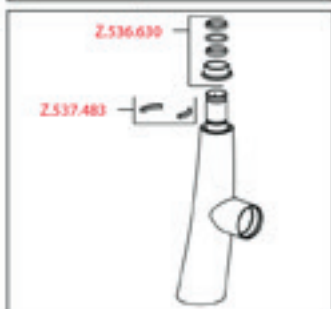
SAP Number	Article Number
chromeline, A 215, flexible connection hoses 3/8", mains receiver 122916	10.201.122.000FL
decor steel, A 215, flexible connection hoses 3/8", mains receiver 122921	10.201.122.127FL
matt black, A 215, flexible connection hoses 3/8", mains receiver 124353	10.201.122.176FL
glacier white, A 215, flexible connection hoses 3/8", mains receiver 123307	10.201.122.150FL

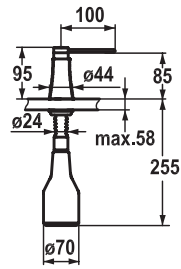
ZOE Lever mixer - Kitchen - with LEDShine

- Lever mixer
- Lever installation only possible on the right side
 - Child safety: cold water flow in lever position towards the front
- gap between wall and centre of mounting hole min. 42 mm
- TouchProtect
 - anti-scald protection thanks to the "double skin" principle
- Covered pull-out spray
 - ergonomic spout alignment, shape and handling
 - SprayClean
 - easy to clean and actively prevents limescale buildup
 - Neoperl® Cascade®
 - PowerClean - needle spray mode, with automatic diverter reset
 - integrated ON/OFF push-button with automatic shut-off after 30 minutes
 - up to 500 mm pull-out length
 - hose surface to fit faucet surface

- SwivelStop - hose guide, swivelling 270°, limitable to 120°
- EasyLock - a pull-out spray that easily slides back into place
- OptimalSpace - ample space for washing or working
- KWC cartridge S 25
 - with ceramic discs
 - flow rate and temperature continuously variable
- Fastening by means of threaded sleeve M33 x 1.5
- Mounting hole size ø35 mm
- Scope of delivery:
 - Mains receiver 100-240 V/operating voltage 6.75 V/cable length 1100 mm

Flow rate normal spray 8 l/min (3 bar)
 Flow rate needle spray 9 l/min (3 bar)
 Acoustic group 2

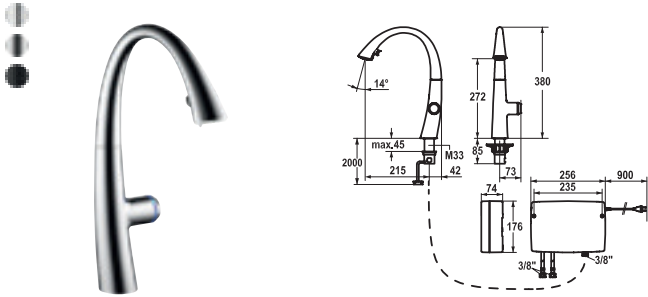




SAP Number	Article Number
chromeline 536586	Z.536.586.000
matt black 538345	Z.536.586.176
decor steel 536587	Z.536.586.127
glacier white 536932	Z.536.586.150

ZOE Soap dispenser

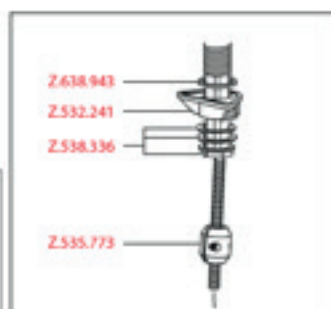
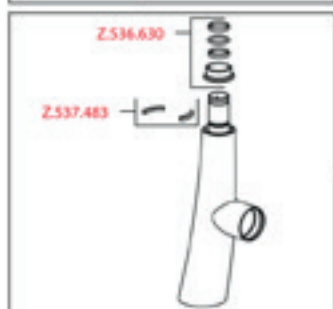
- Soap dispenser KWC ZOE
- Easily refillable from top without disassembly
- Mounting hole size $\varnothing 26$ mm
- Scope of delivery:
 - Pump
 - Soap container, filling capacity 350 ml Z.635.713
- To be ordered separately (optional or if necessary):
 - Escutcheon Z.536.291.000



SAP Number	Article Number
chromeline, A 215, flexible connection hoses 3/8", mains receiver 123778	10.201.242.000FL
decor steel, A 215, flexible connection hoses 3/8", mains receiver 123783	10.201.242.127FL
matt black, A 215, flexible connection hoses 3/8", mains receiver 124345	10.201.242.176FL

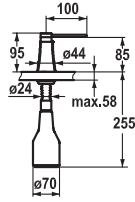
ZOE touch light PRO Kitchen - with LEDShine, touch light PRO

- IntelligentControl - electronic control
 - touch light PRO technology
- touch'n'flow 1-2-3
 - 3 preset temperatures and flow rates
- Position of control unit only possible on the right side
- gap between wall and centre of mounting hole min. 42 mm
- TouchProtect
 - anti-scald protection thanks to the "double skin" principle
- Microprocessor-control
 - touch'n'flow 1: cold water,
50% flow rate can be individually adjusted and saved
 - touch'n'flow 2: warm water,
50% flow rate can be individually adjusted and saved
 - touch'n'flow 3: hot water,
50% flow rate can be individually adjusted and saved
 - with cleaning programme
 - duration of water flow - safety indication:
switch off automatically after 10 minutes
 - temperature limit can be adjusted
 - hot water disinfection (5 minutes) can be adjusted
 - can be restored to factory settings
- Covered pull-out spray
 - ergonomic spout alignment, shape and handling
 - SprayClean
 - easy to clean and actively prevents limescale buildup
 - Neoperl® Cascade®
 - PowerClean - needle spray mode, with automatic diverter reset
 - integrated ON/OFF push-button with automatic shut-off after 30 minutes
 - up to 500 mm pull-out length
 - hose surface to fit faucet surface
- SwivelStop - hose guide, swivelling 270°, limitable to 120°
- EasyLock - a pull-out spray that easily slides back into place
- OptimalSpace - ample space for washing or working
- touch light PRO control unit, maintenance-free
 - up-to-date microprocessor and drive technology
 - tried-and-tested valve technology
 - incl. installation materials
 - designed for wired connection to 1 operating unit (standard)
- Fastening by means of threaded sleeve M33 x 1.5
- Mounting hole size ø35 mm
- Scope of delivery:
 - Mains receiver 100-240 V/operating voltage 15 V/cable length 900 mm
- To be ordered separately (optional or if necessary):



KWC ZOE touch light PRO

INDEX



SAP Number	Article Number
chromeline 536586	Z.536.586.000
matt black 538345	Z.536.586.176
decor steel 536587	Z.536.586.127
glacier white 536932	Z.536.586.150

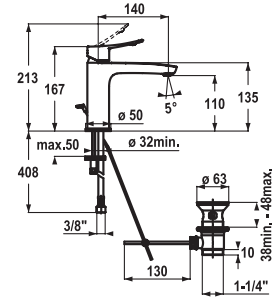
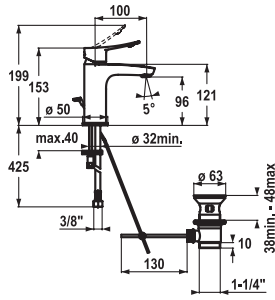
ZOE Soap dispenser

- Soap dispenser KWC ZOE
- Easily refillable from top without disassembly
- Mounting hole size $\varnothing 26$ mm
- Scope of delivery:
 - Pump
 - Soap container, filling capacity 350 ml Z.635.713
- To be ordered separately (optional or if necessary):
 - Escutcheon Z.536.291.000



Faucets for the bathroom

KWC ACTIVO	104
KWC AVA 2.0	109
KWC AVA E	121
KWC BEVO	127
KWC DOMO 6.0	140
KWC ELLA	150
KWC FIT	160
KWC MONTA	166
KWC ONO E	172
KWC ORA	184
KWC PILLAR TAP	190
KWC VITA 2.0	191
KWC VITA PRO 2.0	194
KWC WAMAS 2.0	200
KWC ZOE	208



SAP Number	Article Number
chromeline, A 100, flexible connection hoses, with pop-up valve 124416	12.401.041.000FL
chromeline, A 100, flexible connection hoses, without pop-up valve 124417	12.401.051.000FL



SAP Number	Article Number
chromeline, A 140, flexible connection hoses, with pop-up valve 124419	12.401.042.000FL
chromeline, A 140, flexible connection hoses, without pop-up valve 124420	12.401.052.000FL

ACTIVO Lever mixer - Basin

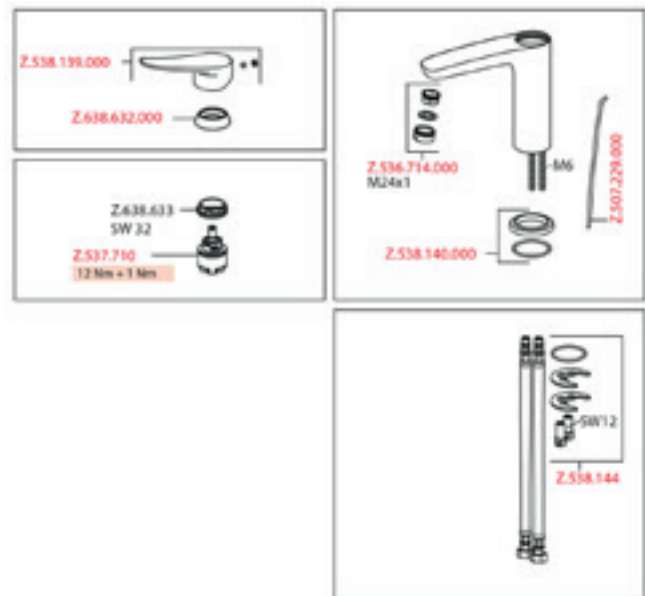
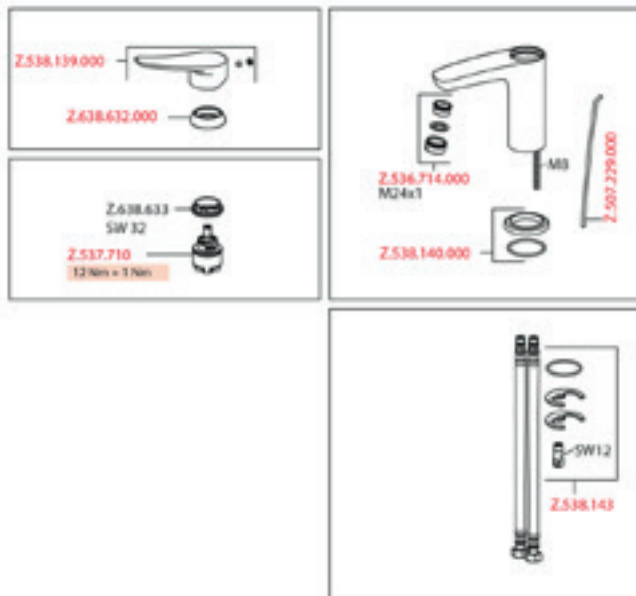
- Lever mixer
- ergonomically shaped operating lever
- EcoProtect - water-saving device
- Fixed spout
 - Neoperl® Perlator®
- KWC cartridge M 35 OP
 - with ceramic discs
 - flow rate and temperature continuously variable
 - temperature limitation
- Flexible connection hoses 3/8"
- Fastening by means of stud bolt M8 x 1
- Mounting hole size ø35 mm

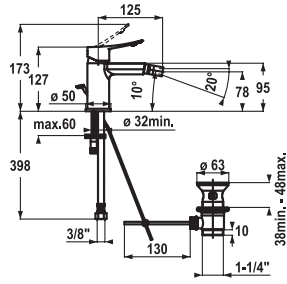
Flow rate 5 l/min (3 bar)
Acoustic group I

ACTIVO Lever mixer - Basin

- Lever mixer
- ergonomically shaped operating lever
- EcoProtect - water-saving device
- Fixed spout
 - Neoperl® Perlator®
- OptimalSpace - ample space for washing or working
- KWC cartridge M 35 OP
 - with ceramic discs
 - flow rate and temperature continuously variable
 - temperature limitation
- Flexible connection hoses 3/8"
- Fastening by means of stud bolt 2x M6 x 1
- Mounting hole size ø35 mm

Flow rate 5 l/min (3 bar)
Acoustic group I





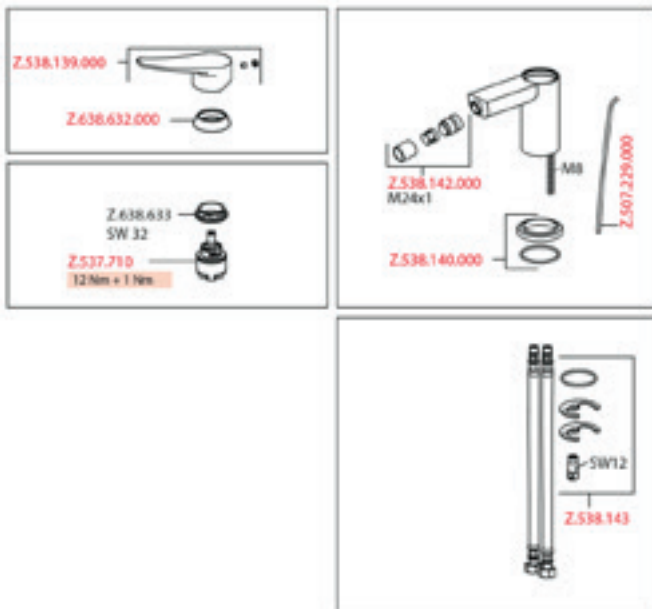
SAP Number	Article Number
chromeline, A 125, flexible connection hoses, with pop-up valve	
124421	13.401.042.000FL

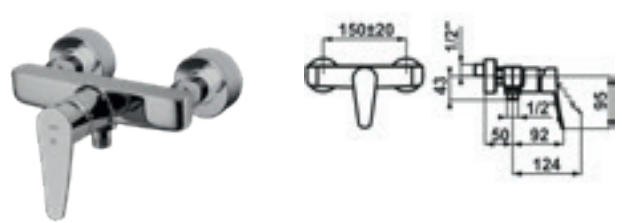
ACTIVO Lever mixer - Bidet

- Lever mixer
- ergonomically shaped operating lever
- Fixed spout
 - ball joint aerator Neoperl® Perlator®
- KWC cartridge M 35 OP
 - with ceramic discs
 - flow rate and temperature continuously variable
 - temperature limitation
- Flexible connection hoses 3/8"
- Fastening by means of stud bolt M8 x 1
- Mounting hole size ø35 mm

Flow rate 6 l/min (3 bar)
Acoustic group I

Faucets for the bathroom





SAP Number	Article Number
chromeline, AD 150±15 mm, A 165, without hand shower, hose and bracket	
124432	20.402.332.000

ACTIVO Lever mixer - Tub

- Lever mixer
- ergonomically shaped operating lever
- Diverter with automatic reset
- Intrinsically safe against backflow
- Fixed spout
 - Neoperl® Perlator®
- KWC cartridge M 35 H
 - with ceramic discs
 - flow rate and temperature continuously variable
- Wall connections 1/2" x 3/4", without shut-off valve eccentric 10 mm

Flow rate 20 l/min (3 bar)

Acoustic group U

Spray outlet: Flow rate 15 l/min (3bar)

Spray outlet: Acoustic group II

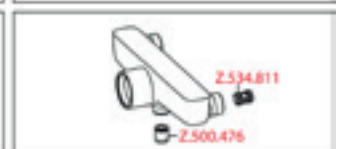
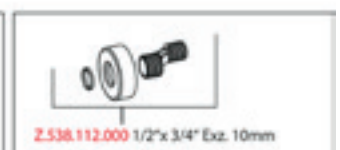
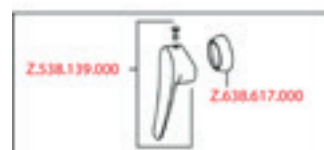
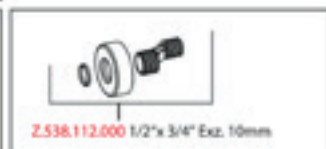
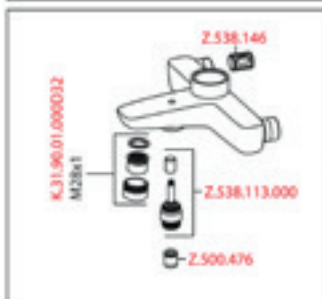
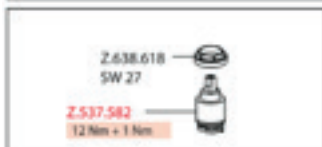
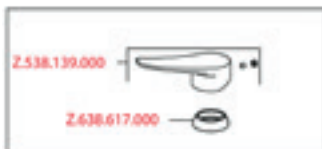
SAP Number	Article Number
chromeline, AD 150±20 mm, without hand shower and hose	
124425	21.402.330.000

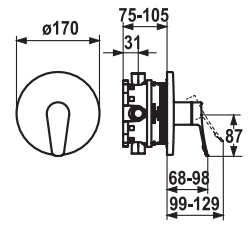
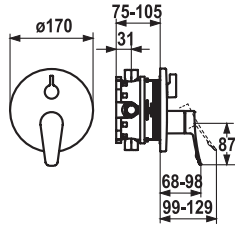
ACTIVO Lever mixer - Shower

- Lever mixer
- ergonomically shaped operating lever
- Intrinsically safe against backflow
- KWC cartridge M 35 H
 - with ceramic discs
 - flow rate and temperature continuously variable
- Wall connections 1/2" x 3/4", without shut-off valve eccentric 10 mm

Acoustic group U

Spray outlet: Flow rate 16 l/min (3bar)





SAP Number	Article Number
chromeline, Trim kit 124435	20.404.502.000
chromeline, Trim kit, with vacuum breaker 124436	20.404.512.000

SAP Number	Article Number
chromeline, Trim kit 124434	21.404.502.000

ACTIVO Trim kit - Lever mixer - Tub

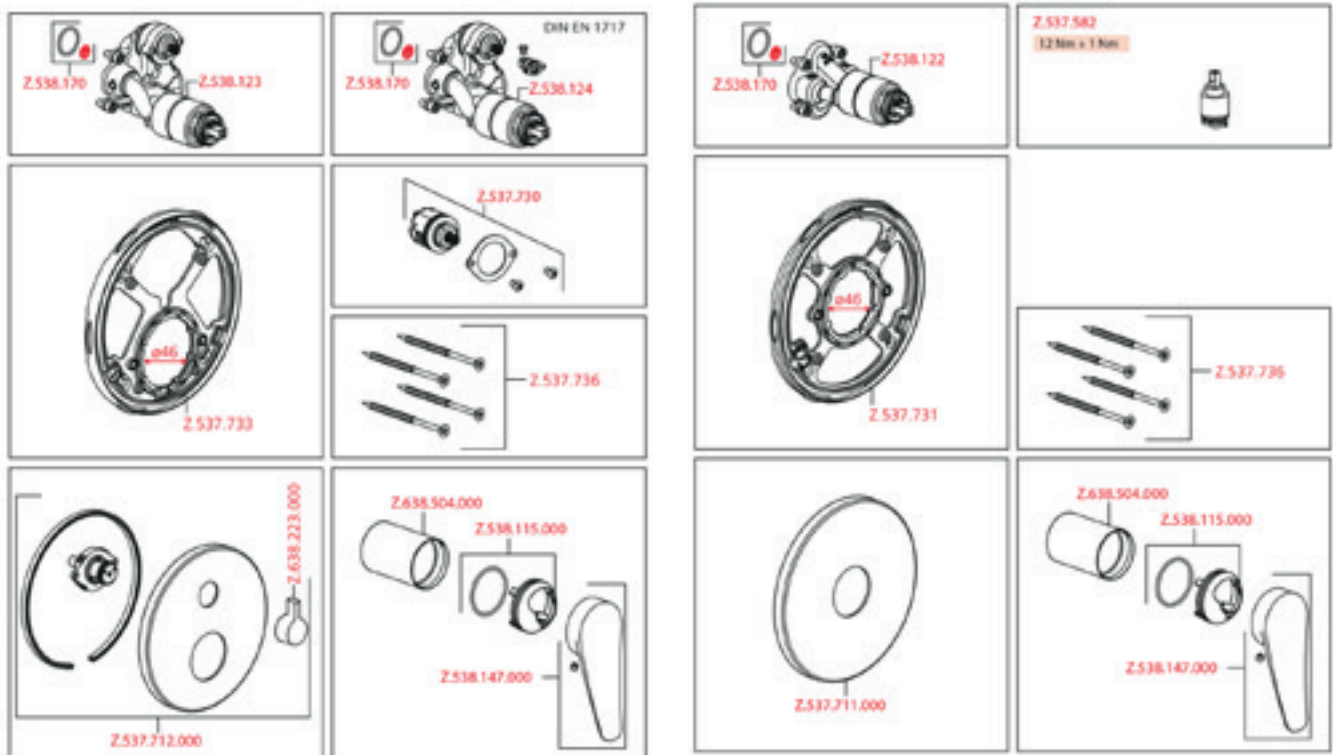
- Trim kit with function unit
- Outflow top and below
- Turning handle for diverter
- KWC cartridge M 35 H
 - with ceramic discs
 - flow rate and temperature continuously variable
- Scope of delivery:
 - Function unit, lever, cap, sleeve, cover plate, holder for escutcheon, diverter
 - Fastening of the cover plate without screws
- To be ordered separately:
 - Unit for concealed installation KWC BLUEBOX® ½", without shut-off valve, 39.999.900.931
 - ¾" (½"), with shut-off valve, 39.999.910.931

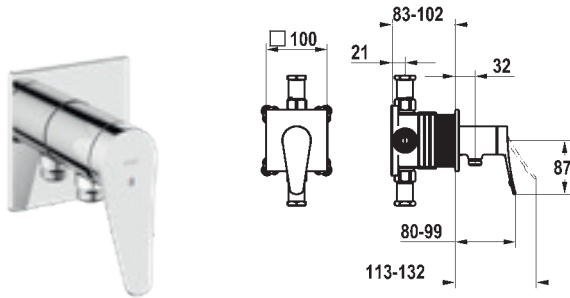
ACTIVO Trim kit - Lever mixer - Shower

- Trim kit with function unit
- Outflow top or below
- KWC cartridge M 35 H
 - with ceramic discs
 - flow rate and temperature continuously variable
- Scope of delivery:
 - Function unit, lever, cap, sleeve, cover plate, holder for escutcheon
 - Fastening of the cover plate without screws
- To be ordered separately:
 - Unit for concealed installation KWC BLUEBOX® ½", without shut-off valve, 39.999.900.931
 - ¾" (½"), with shut-off valve, 39.999.910.931

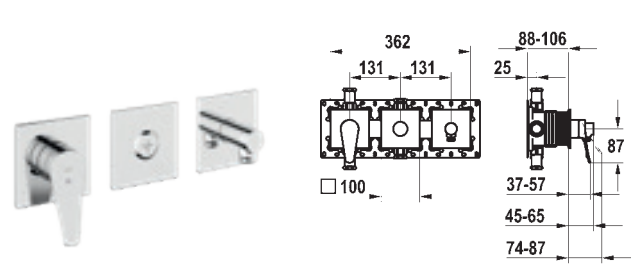
Acoustic group I

Acoustic group I





NEW



NEW

SAP Number	Article Number
chromeline, trim kit, with safety device DIN EN 1717	
125332	21.404.550.000

**Trim kit, with safety device DIN EN 1717
Lever mixer – Shower**

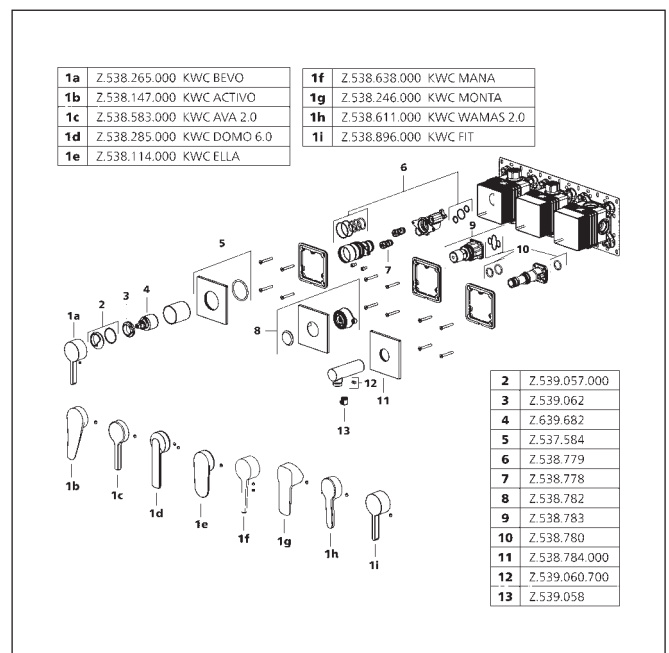
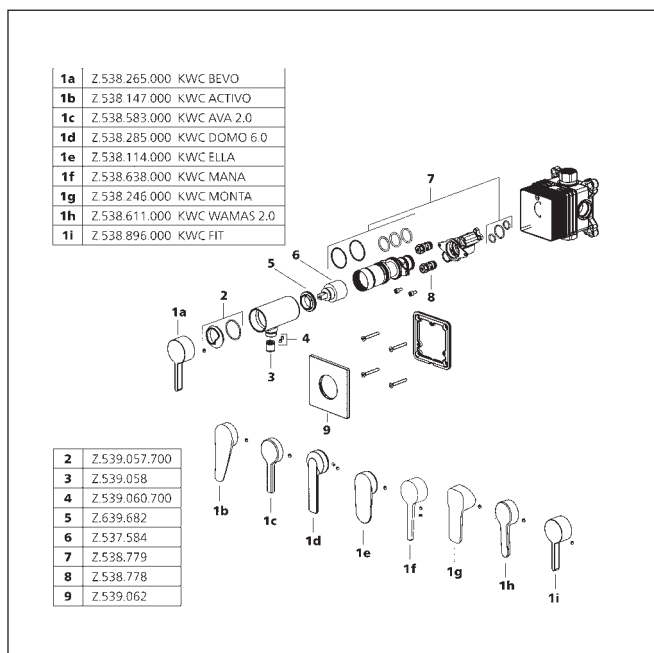
- Trim kit with function unit KWC HOMEBOX
- Outflow with integrated hose connection
- KWC cartridge M 35-S HF
 - with ceramic discs
 - flow rate and temperature continuously variable
- Scope of delivery:
 - Lever mixer unit with integrated hose connection
 - Fastening of the cover plate without screws
- To be ordered separately:
 - Unit for concealed installation KWC HOMEBOX
Lever mixer 1 Consumers 39.006.251.931

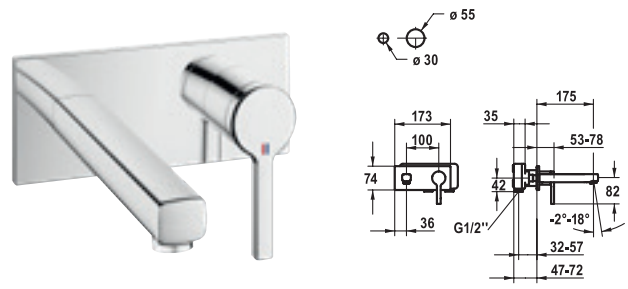
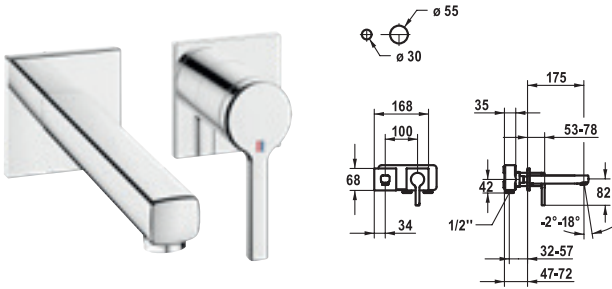
SAP Number	Article Number
chromeline, trim kit, with safety device DIN EN 1717	
125335	20.404.550.000

**Trim kit, with safety device DIN EN 1717
Lever mixer – Tub**

- Trim kit with function unit KWC HOMEBOX
- Outflow with integrated hose connection above or below for the second consumer with CHOICE diverter without automatic reset
- KWC cartridge M 35-S HF
 - with ceramic discs
 - flow rate and temperature continuously variable
- Scope of delivery:
 - Lever mixer unit
 - Diverter unit
 - Hose connection unit
 - Fastening of the cover plate without screws
- To be ordered separately:
 - Unit for concealed installation KWC HOMEBOX Thermostatic/
lever mixer 2 consumers 39.006.261.931

Acoustic group I





SAP Number	Article Number
chromeline, A 175, Trim kit	
125108	11.462.063.000
chromeline, A 225, Trim kit	
125109	11.462.064.000

AVA 2.0 Trim kit - Lever mixer - Basin

- Fixed spout
 - Neoperl® Perlator® SSR, swivelling jet regulator
- OptimalSpace - ample space for washing or working
- KWC cartridge M 35 H
 - with ceramic discs
 - flow rate and temperature continuously variable
- To be ordered separately:
 - Unit for concealed installation 1/2" 39.001.402.000
- To be ordered separately (optional or if necessary):
 - Extension set 20 mm Z.536.333

Flow rate 5 l/min (3 bar)
Acoustic group I

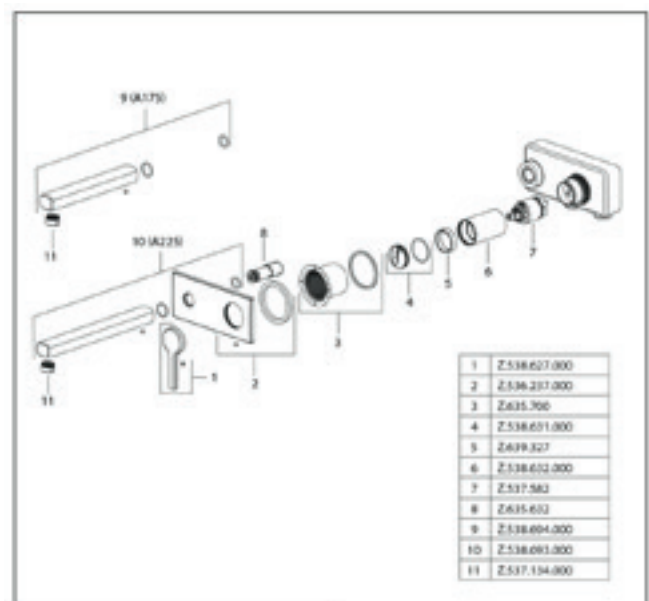
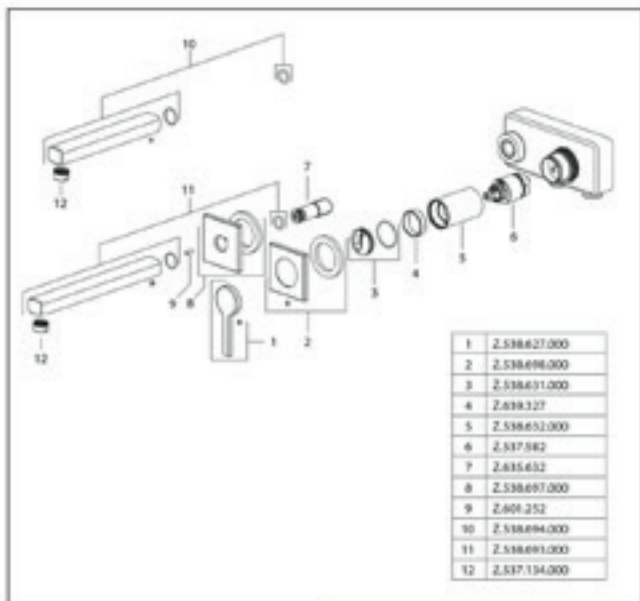


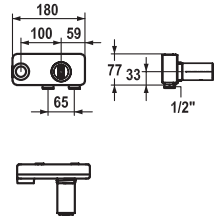
SAP Number	Article Number
chromeline, A 175, Trim kit	
125105	11.462.033.000
chromeline, A 225, Trim kit	
125106	11.462.034.000

AVA 2.0 Trim kit - Lever mixer - Basin

- Fixed spout
 - Neoperl® Perlator® SSR, swivelling jet regulator
- OptimalSpace - ample space for washing or working
- KWC cartridge M 35 H
 - with ceramic discs
 - flow rate and temperature continuously variable
- To be ordered separately:
 - Unit for concealed installation 1/2" 39.001.402.000
- To be ordered separately (optional or if necessary):
 - Extension set 20 mm Z.536.333

Flow rate 5 l/min (3 bar)
Acoustic group I

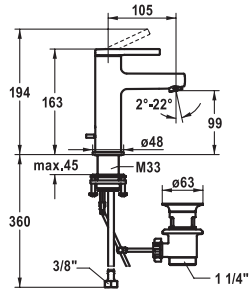




SAP Number	Article Number
chromeline. Concealed unit	
125189	39.001.402.000

AVA 2.0 Concealed unit

- Concealed unit wall two hole
- Connecting thread 1/2"
- To be ordered separately:
 - Installation kit Z.536.828
- Suitable for:
 - KWC AVA 2.0
 - KWC ORA

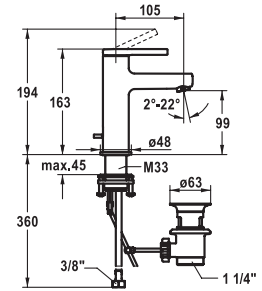


SAP Number	Article Number
chromeline, A 105, flexible connection hoses, with pop-up valve 125072	12.468.041.000FL
chromeline, A 105, flexible connection hoses, without pop-up valve 125073	12.468.051.000FL
chromeline, A 105, flexible connection hoses, with Push Open 125074	12.468.641.000FL

AVA 2.0 Lever mixer - Basin

- EcoProtect - water-saving device
- Fixed spout
 - Neoperl® Perlator® SSR, swivelling jet regulator
- KWC cartridge S 25
 - with ceramic discs
 - flow rate and temperature continuously variable
- Flexible connection hoses 3/8"
- QuickInstallation - Fastening via threaded connection with locking screws
- Mounting hole size ø35 mm
- Scope of delivery:
 - KWC pop-up valve Z.538.581.000

Flow rate 5 l/min (3 bar)
Acoustic group I

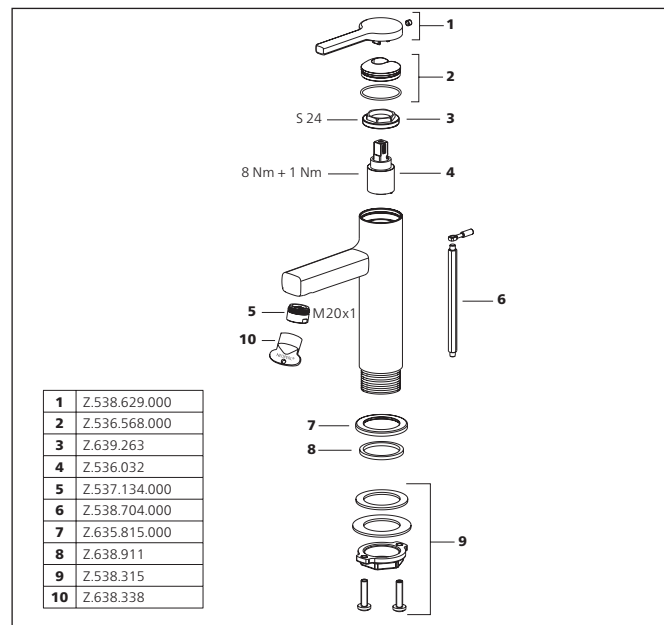
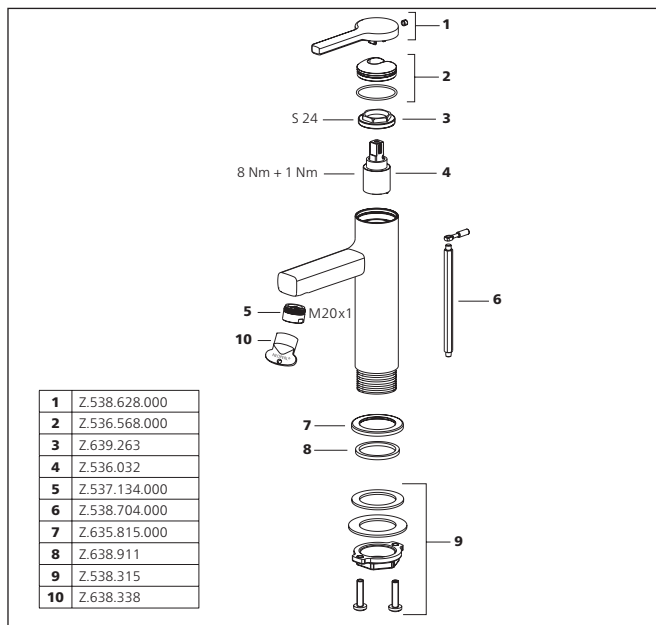


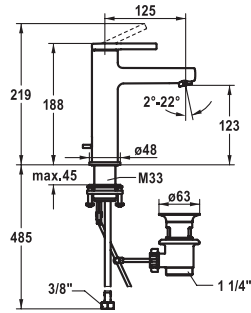
SAP Number	Article Number
chromeline, A 105, flexible connection hoses, with pop-up valve 125075	12.468.031.000FL
chromeline, A 105, flexible connection hoses, without pop-up valve 125076	12.468.071.000FL
chromeline, A 105, flexible connection hoses, with Push Open 125077	12.468.631.000FL

AVA 2.0 Lever mixer - Basin - CoolFix

- CoolFix - Cold water flow with a centered lever
- EcoProtect - water-saving device
- Fixed spout
 - Neoperl® Perlator® SSR, swivelling jet regulator
- KWC cartridge S 25
 - with ceramic discs
 - flow rate and temperature continuously variable
- Flexible connection hoses 3/8"
- QuickInstallation - Fastening via threaded connection with locking screws
- Mounting hole size ø35 mm
- Scope of delivery:
 - KWC pop-up valve Z.538.581.000

Flow rate 5 l/min (3 bar)
Acoustic group I



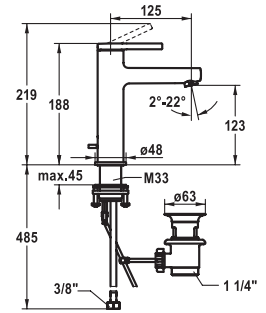


SAP Number	Article Number
chromeline, A 125, flexible connection hoses, with pop-up valve 125078	12.468.042.000FL
chromeline, A 125, flexible connection hoses, without pop-up valve 125079	12.468.052.000FL
chromeline, A 125, flexible connection hoses, with Push Open 125080	12.468.642.000FL

AVA 2.0 Lever mixer - Basin

- EcoProtect - water-saving device
- Fixed spout
 - Neoperl® Perlator® SSR, swivelling jet regulator
- KWC cartridge S 25
 - with ceramic discs
 - flow rate and temperature continuously variable
- Flexible connection hoses 3/8"
- QuickInstallation - Fastening via threaded connection with locking screws
- Mounting hole size ø35 mm
- Scope of delivery:
 - KWC pop-up valve Z.538.581.000

Flow rate 5 l/min (3 bar)
Acoustic group I

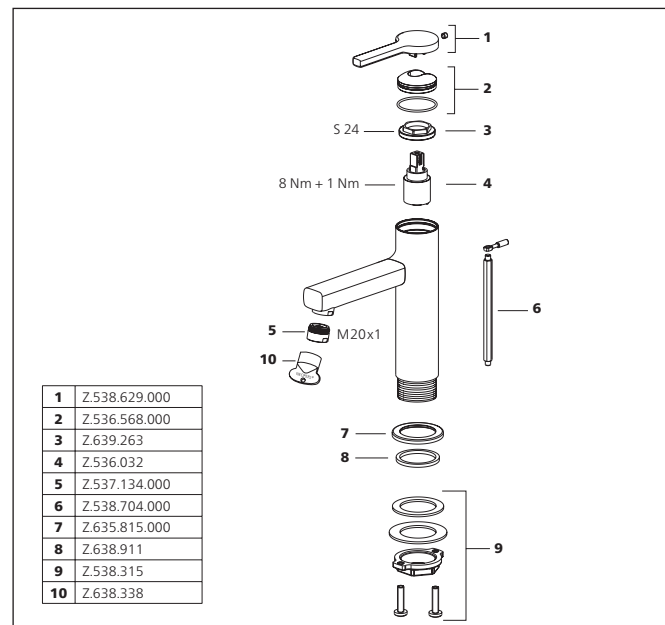
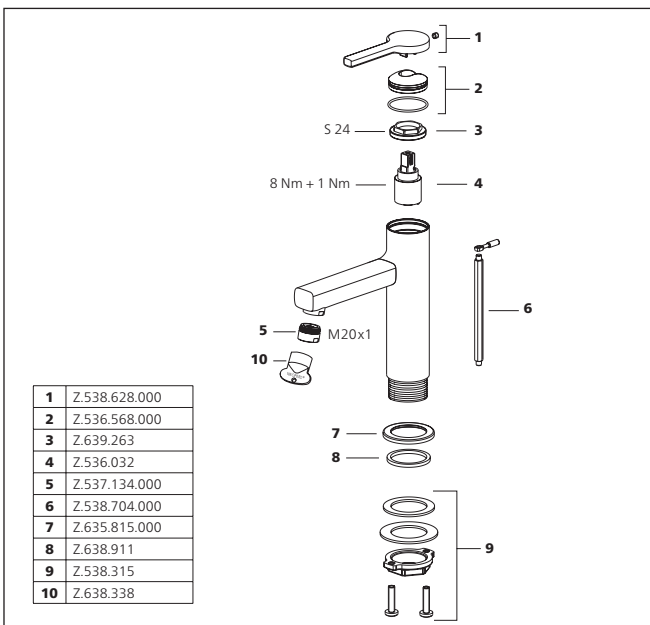


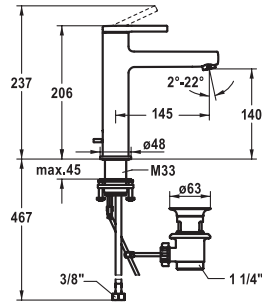
SAP Number	Article Number
chromeline, A 125, flexible connection hoses, with pop-up valve 125081	12.468.032.000FL
chromeline, A 125, flexible connection hoses, without pop-up valve 125082	12.468.072.000FL
chromeline, A 125, flexible connection hoses, with Push Open 125083	12.468.632.000FL

AVA 2.0 Lever mixer - Basin - CoolFix

- CoolFix - Cold water flow with a centered lever
- EcoProtect - water-saving device
- Fixed spout
 - Neoperl® Perlator® SSR, swivelling jet regulator
- KWC cartridge S 25
 - with ceramic discs
 - flow rate and temperature continuously variable
- Flexible connection hoses 3/8"
- QuickInstallation - Fastening via threaded connection with locking screws
- Mounting hole size ø35 mm
- Scope of delivery:
 - KWC pop-up valve Z.538.581.000

Flow rate 5 l/min (3 bar)
Acoustic group I



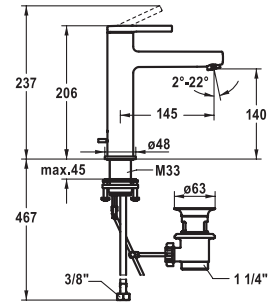


SAP Number	Article Number
chromeline, A 145, flexible connection hoses, with pop-up valve 125088	12.468.043.000FL
chromeline, A 145, flexible connection hoses, without pop-up valve 125089	12.468.053.000FL
chromeline, A 145, flexible connection hoses, with Push Open 125090	12.468.643.000FL

AVA 2.0 Lever mixer - Basin

- EcoProtect - water-saving device
- Fixed spout
- Neoperl® Perlator® SSR, swivelling jet regulator
- OptimalSpace - ample space for washing or working
- KWC cartridge S 25
- with ceramic discs
- flow rate and temperature continuously variable
- Flexible connection hoses 3/8"
- QuickInstallation -
Fastening via threaded connection with locking screws
- Mounting hole size ø35 mm
- Scope of delivery:
- KWC pop-up valve Z.538.581.000

Flow rate 5 l/min (3 bar)
Acoustic group I

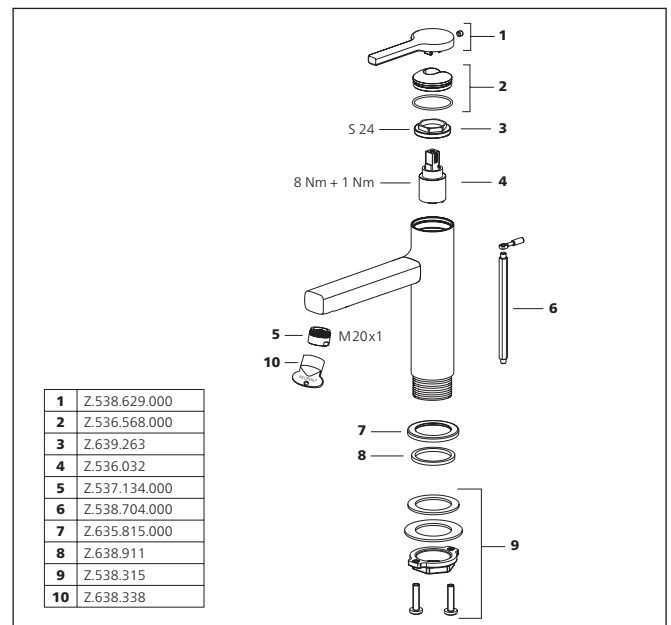
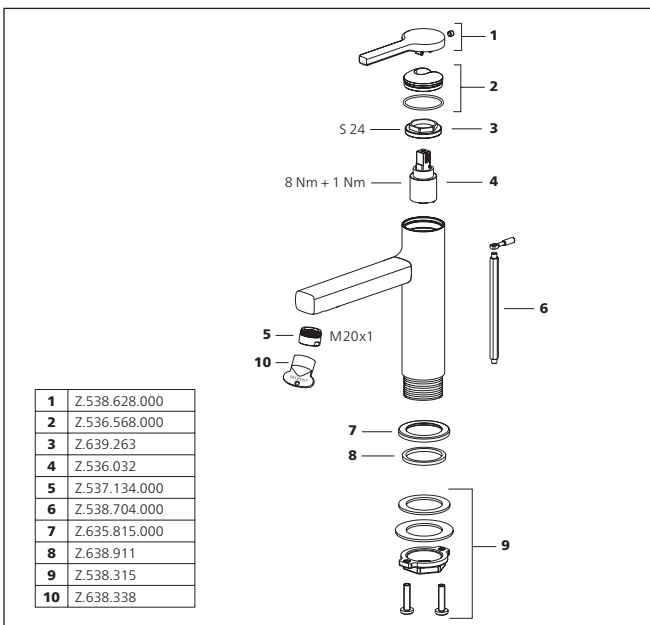


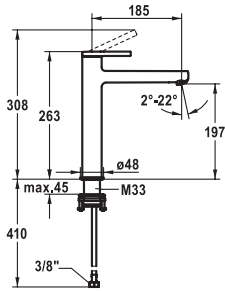
SAP Number	Article Number
chromeline, A 145, flexible connection hoses, with pop-up valve 125091	12.468.033.000FL
chromeline, A 145, flexible connection hoses, without pop-up valve 125092	12.468.073.000FL
chromeline, A 145, flexible connection hoses, with Push Open 125093	12.468.633.000FL

AVA 2.0 Lever mixer - Basin - CoolFix

- CoolFix - Cold water flow with a centered lever
- EcoProtect - water-saving device
- Fixed spout
- Neoperl® Perlator® SSR, swivelling jet regulator
- OptimalSpace - ample space for washing or working
- KWC cartridge S 25
- with ceramic discs
- flow rate and temperature continuously variable
- Flexible connection hoses 3/8"
- QuickInstallation -
Fastening via threaded connection with locking screws
- Mounting hole size ø35 mm
- Scope of delivery:
- KWC pop-up valve Z.538.581.000

Flow rate 5 l/min (3 bar)
Acoustic group I





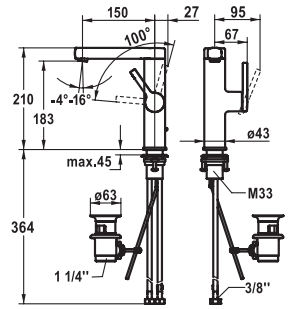
SAP Number	Article Number
chromeline, A 185, flexible connection hoses, without pop-up valve	
125100	12.468.093.000FL

chromeline, A 185, flexible connection hoses, with Push Open	
125101	12.468.663.000FL

AVA 2.0 Lever mixer - Basin

- For top-mounted basins
- EcoProtect - water-saving device
- Fixed spout
- Neoperl® Perlator® SSR, swivelling jet regulator
- OptimalSpace - ample space for washing or working
- KWC cartridge S 25
- with ceramic discs
- flow rate and temperature continuously variable
- Flexible connection hoses 3/8"
- QuickInstallation -
- Fastening via threaded connection with locking screws
- Mounting hole size ø35 mm

Flow rate 5 l/min (3 bar)
Acoustic group I



SAP Number	Article Number
chromeline, A 150, flexible connection hoses, with pop-up valve	
125096	12.468.131.000FL

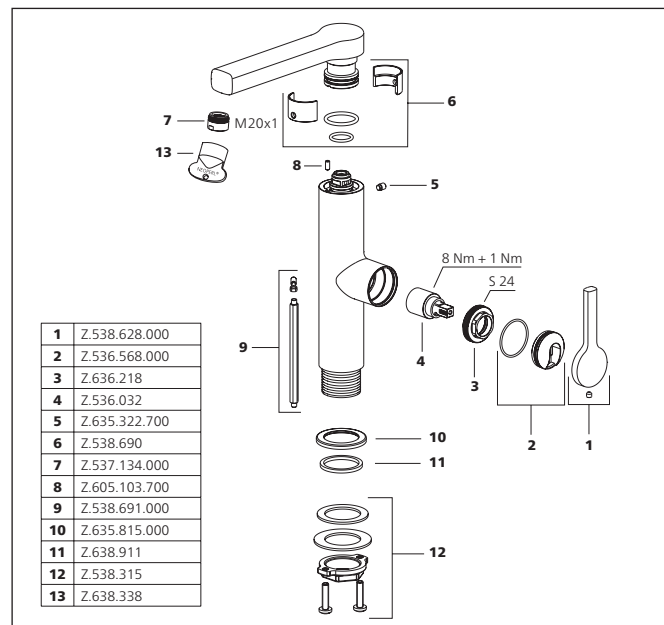
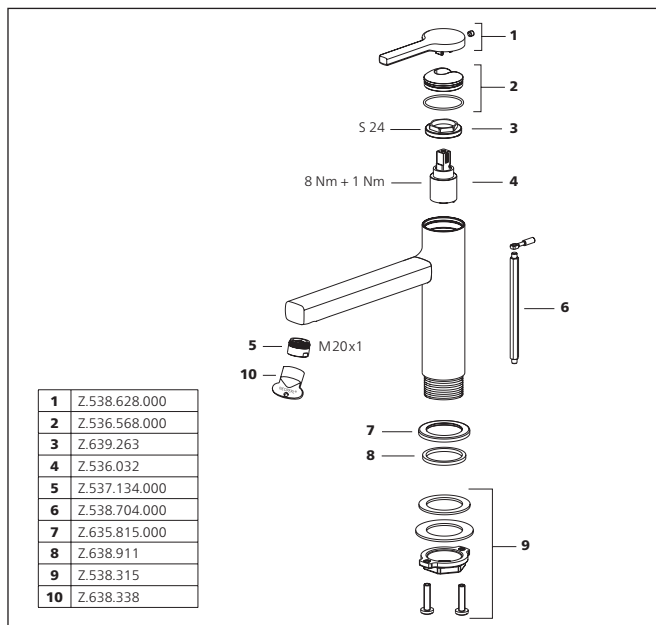
chromeline, A 150, flexible connection hoses, without pop-up valve	
125097	12.468.141.000FL

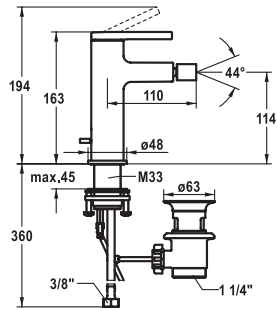
chromeline, A 150, flexible connection hoses, with Push Open	
125098	12.468.651.000FL

AVA 2.0 Lever mixer - Basin

- Lever installation only possible on the right side
- Child safety: cold water flow in lever position towards the front
- gap between wall and centre of mounting hole min. 27 mm
- EcoProtect - water-saving device
- Swivel spout 120°
- Neoperl® Perlator® SJR, swivelling jet regulator
- OptimalSpace - ample space for washing or working
- KWC cartridge S 25
- with ceramic discs
- flow rate and temperature continuously variable
- Flexible connection hoses 3/8"
- QuickInstallation -
- Fastening via threaded connection with locking screws
- Mounting hole size ø35 mm
- Scope of delivery:
- KWC pop-up valve Z.538.581.000

Flow rate 5 l/min (3 bar)
Acoustic group I





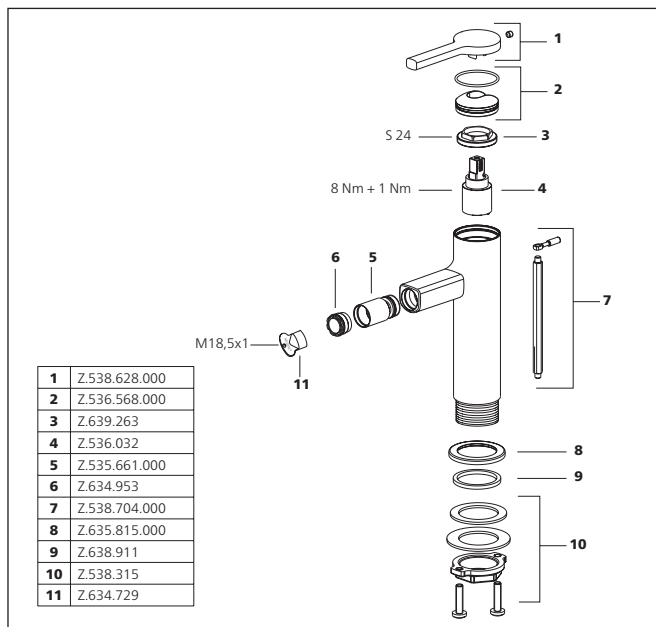
SAP Number	Article Number
chromeline, A 110, flexible connection hoses, with pop-up valve	
125103	13.461.041.000FL

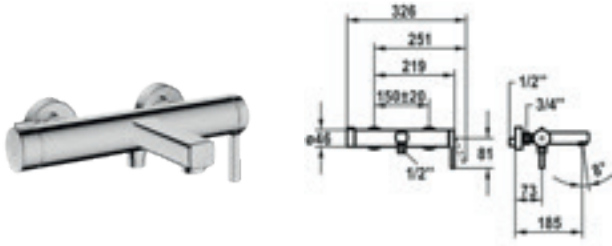
AVA 2.0 Lever mixer - Bidet

- Fixed spout
 - ball joint aerator Neoperl® Caché®
- KWC cartridge S 25
 - with ceramic discs
 - flow rate and temperature continuously variable
- Flexible connection hoses 3/8"
- QuickInstallation -
 - Fastening via threaded connection with locking screws
- Mounting hole size ø35 mm
- Scope of delivery:
 - KWC pop-up valve Z.538.581.000

Flow rate 7.5 l/min (3 bar)
Acoustic group I

Faucets for the bathroom





SAP Number **Article Number**

chromeline, AD 150±20 mm mm, A 190,
without hand shower, hose and bracket
125114 20.462.483.000

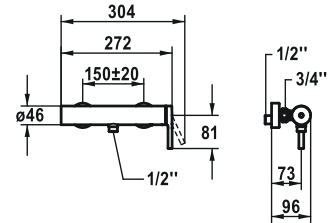
AVA 2.0 Lever mixer - Tub

- TouchProtect - anti-scald protection thanks to the "double skin" principle
- Turning handle for diverter
- Intrinsically safe against backflow
- Fixed spout
 - Neoperl® Perlator® laminar
- KWC cartridge M 35-S HF
 - with ceramic discs
 - flow rate and temperature continuously variable
 - temperature limitation
- Wall connections 1/2" x 3/4", without shut-off valve eccentric 10 mm

Flow rate 20 l/min (3 bar)

Acoustic group II

Spray outlet: Flow rate 12 l/min (3bar)



SAP Number **Article Number**

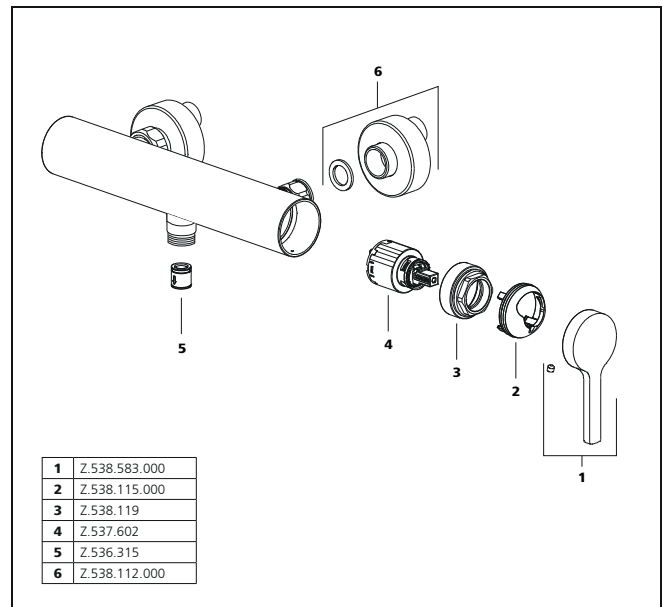
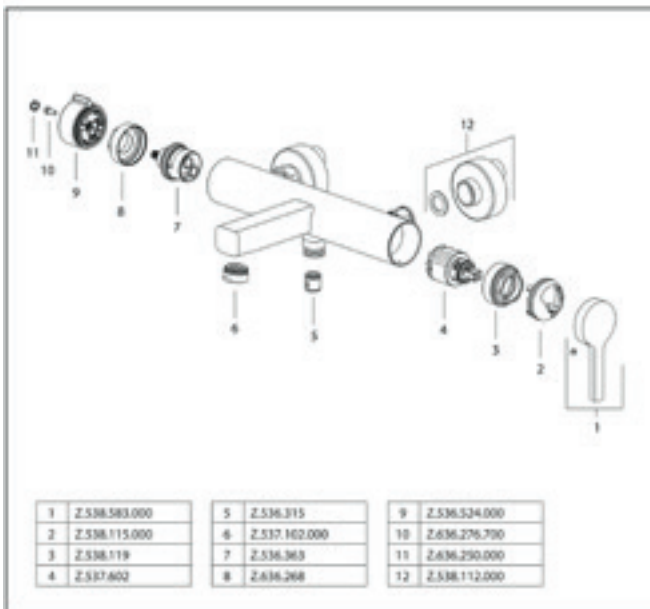
chromeline, AD 150±20 mm mm,
without hand shower and hose
125119 21.462.480.000

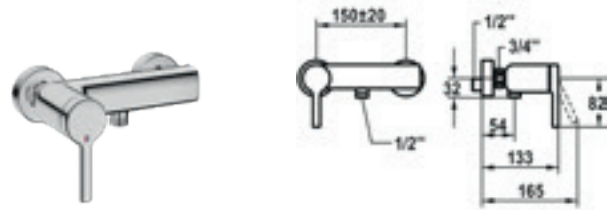
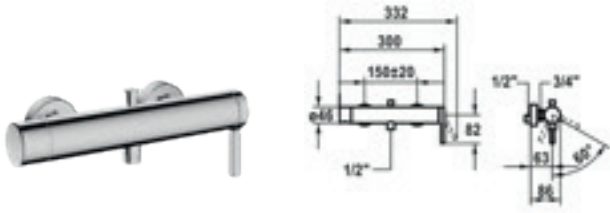
AVA 2.0 Lever mixer - Shower

- TouchProtect - anti-scald protection thanks to the "double skin" principle
- Intrinsically safe against backflow
- KWC cartridge M 35-S HF
 - with ceramic discs
 - flow rate and temperature continuously variable
 - temperature limitation
- Wall connections 1/2" x 3/4", without shut-off valve eccentric 10 mm

Acoustic group I

Spray outlet: Flow rate 12 l/min (3bar)





SAP Number	Article Number
chromeline, AD 153, without hand shower, hose and bracket	
125412	20.462.440.000

SAP Number	Article Number
chromeline, AD 150±20 mm mm, without hand shower and hose	
125124	21.462.330.000

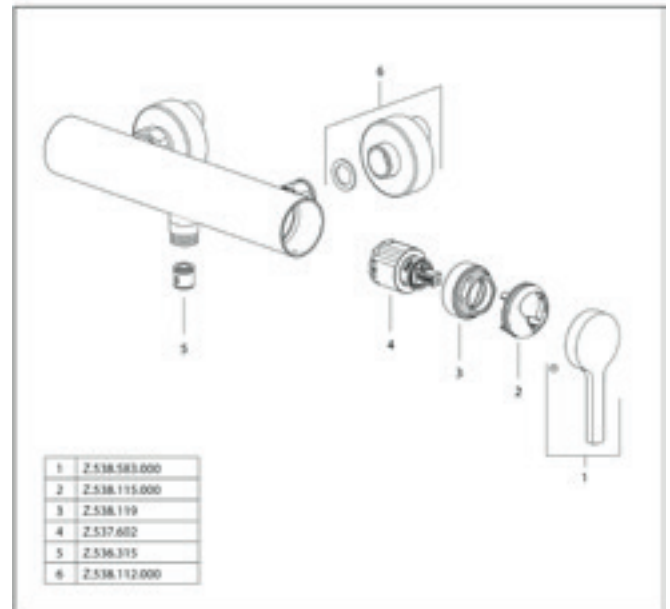
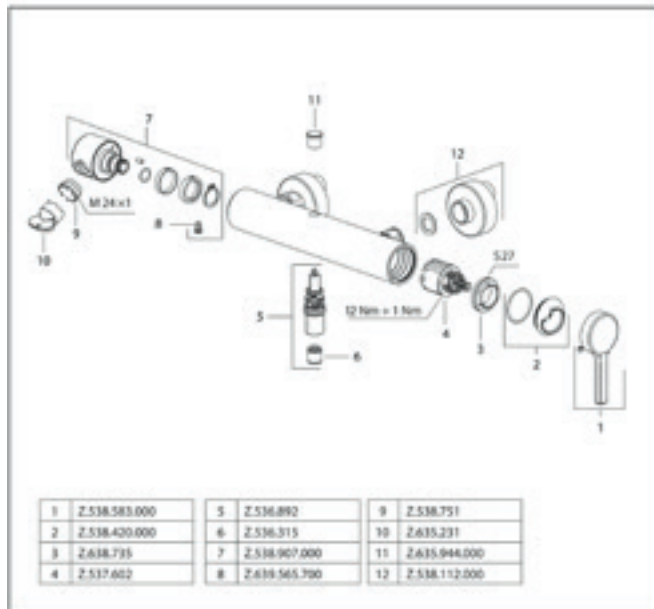
AVA 2.0 Lever mixer - Tub

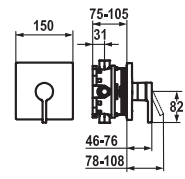
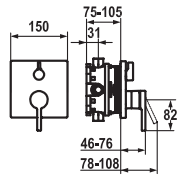
- Diverter with automatic reset
- Inherently safe against backflow
- Rotatable spout 60°
 - Neoperl® Caché®
- KWC cartridge M 35-S HF
 - with ceramic discs
 - flow rate and temperature continuously variable
- Wall connections 1/2" x 3/4",
without shut-off valve L 46 eccentric 7.5 mm

AVA 2.0 Lever mixer - Shower

- TouchProtect -
 - anti-scald protection thanks to the "double skin" principle
- Inherently safe against backflow
- KWC cartridge M 35 OP
 - with ceramic discs
 - flow rate and temperature continuously variable
 - temperature limitation
- Wall connections 1/2" x 3/4", without shut-off valve eccentric 10 mm

Flow rate 13 l/min (3 bar)
Acoustic group II





SAP Number	Article Number
chromeline, Trim kit 125128	20.464.500.000
chromeline, Trim kit, with vacuum breaker 125130	20.464.510.000

SAP Number	Article Number
chromeline, Trim kit 125126	21.464.500.000

AVA 2.0 Trim kit - Lever mixer - Tub

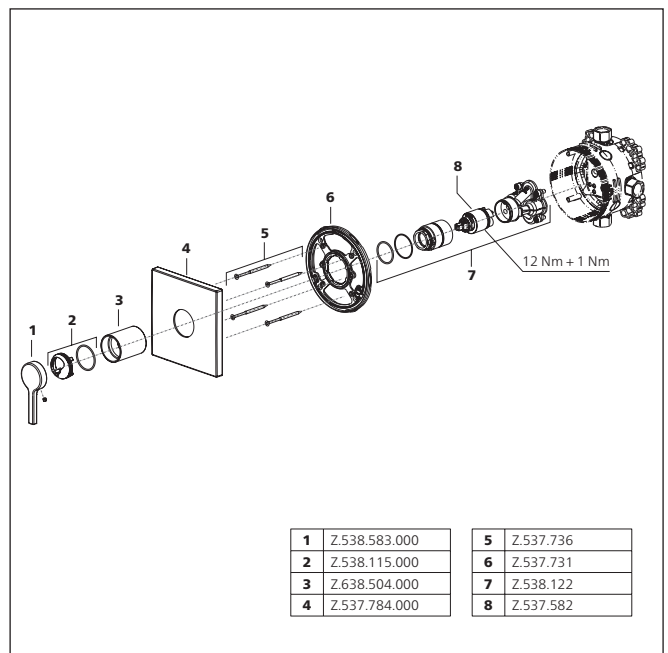
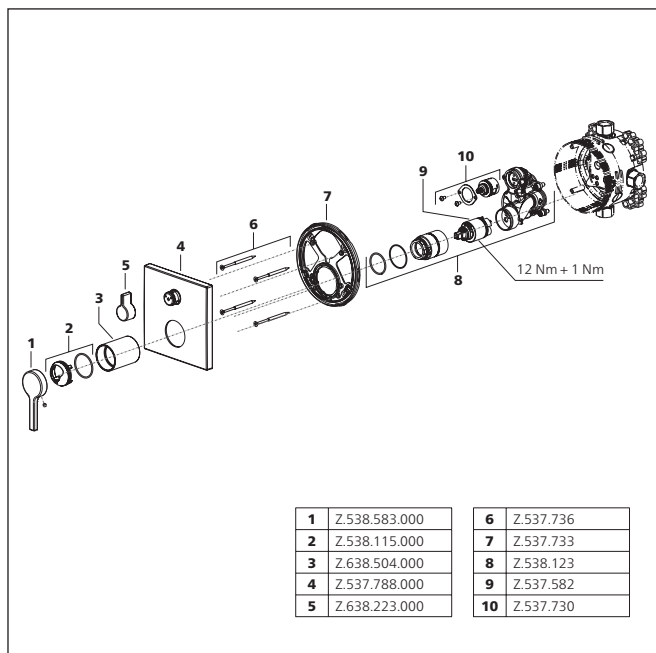
- Trim kit with function unit
- Outflow top and below
- Turning handle for diverter
- KWC cartridge M 35 H
 - with ceramic discs
 - flow rate and temperature continuously variable
- Scope of delivery:
 - Function unit, lever, cap, sleeve, cover plate, holder for escutcheon, diverter
 - Fastening of the cover plate without screws
- To be ordered separately:
 - Unit for concealed installation KWC BLUEBOX®
 - 1/2", without shut-off valve, 39.999.900.931
 - 3/4" (1/2"), with shut-off valve, 39.999.910.931

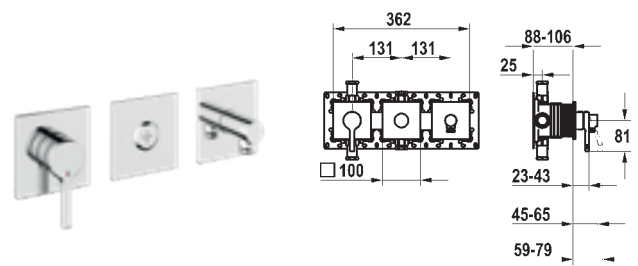
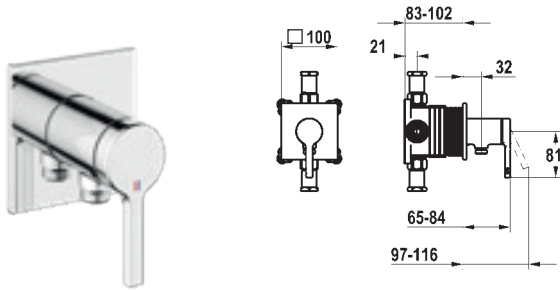
AVA 2.0 Trim kit - Lever mixer - Shower

- Trim kit with function unit
- Outflow top or below
- KWC cartridge M 35 H
 - with ceramic discs
 - flow rate and temperature continuously variable
- Scope of delivery:
 - Function unit, lever, cap, sleeve, cover plate, holder for escutcheon
 - Fastening of the cover plate without screws
- To be ordered separately:
 - Unit for concealed installation KWC BLUEBOX®
 - 1/2", without shut-off valve, 39.999.900.931
 - 3/4" (1/2"), with shut-off valve, 39.999.910.931

Acoustic group I

Acoustic group I





SAP Number	Article Number
chromeline, trim kit, with safety device DIN EN 1717	
125289	21.464.550.000

Trim kit, with safety device DIN EN 1717 – Lever mixer – Shower

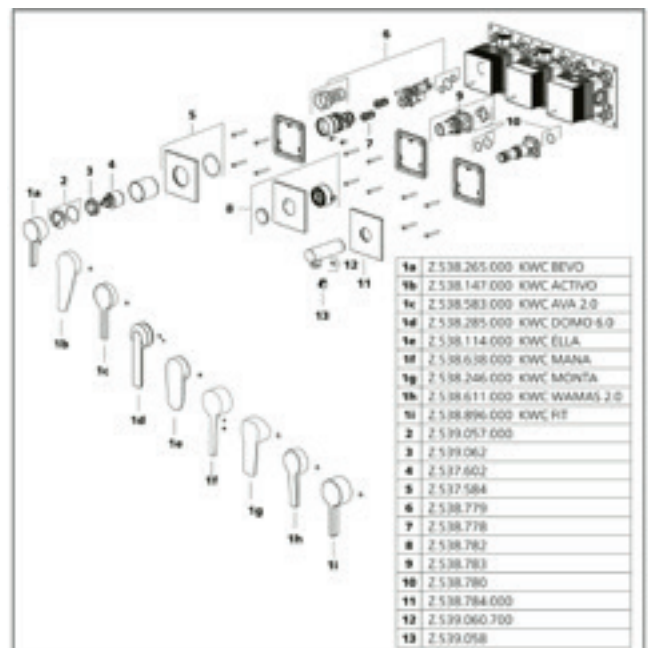
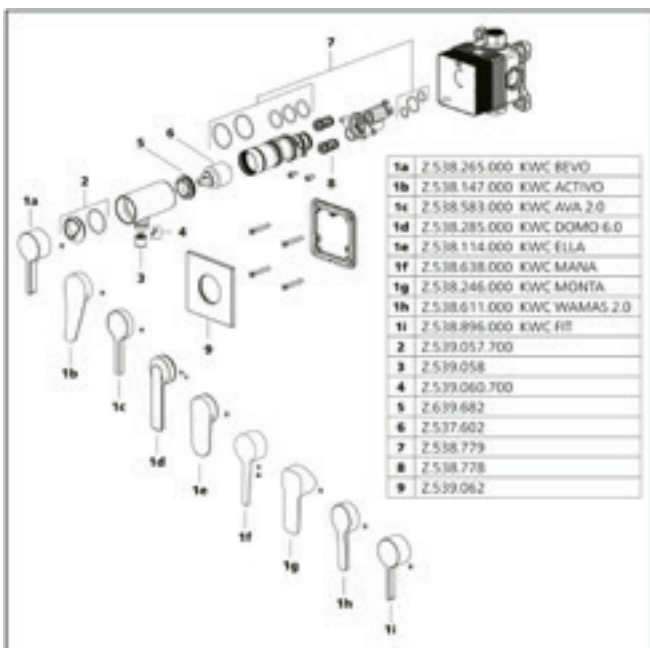
- Trim kit with function unit KWC HOMEBOX
- Outflow with integrated hose connection
- KWC cartridge M 35-S HF
 - with ceramic discs
 - flow rate and temperature continuously variable
- Scope of delivery:
 - Lever mixer unit with integrated hose connection
 - Fastening of the cover plate without screws
- To be ordered separately:
 - Unit for concealed installation KWC HOMEBOX Lever mixer 1 Consumers 39.006.251.931

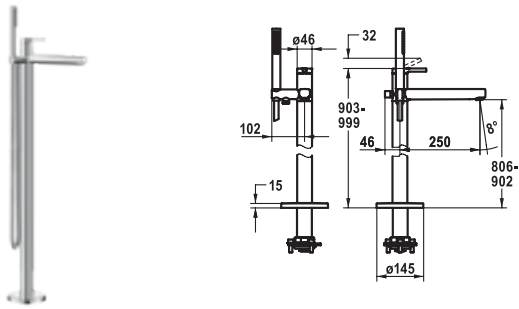
SAP Number	Article Number
chromeline, trim kit, with safety device DIN EN 1717	
125293	20.464.550.000

Trim kit, with safety device DIN EN 1717 – Lever mixer – Tub

- Trim kit with function unit KWC HOMEBOX
- Outflow with integrated hose connection above or below for the second consumer with CHOICE diverter without automatic reset
- KWC cartridge M 35-S HF
 - with ceramic discs
 - flow rate and temperature continuously variable
- Scope of delivery:
 - Lever mixer unit
 - Diverter unit
 - Hose connection unit
 - Fastening of the cover plate without screws
- To be ordered separately:
 - Unit for concealed installation KWC HOMEBOX Thermostatic/ lever mixer 2 consumers 39.006.261.931

Acoustic group I



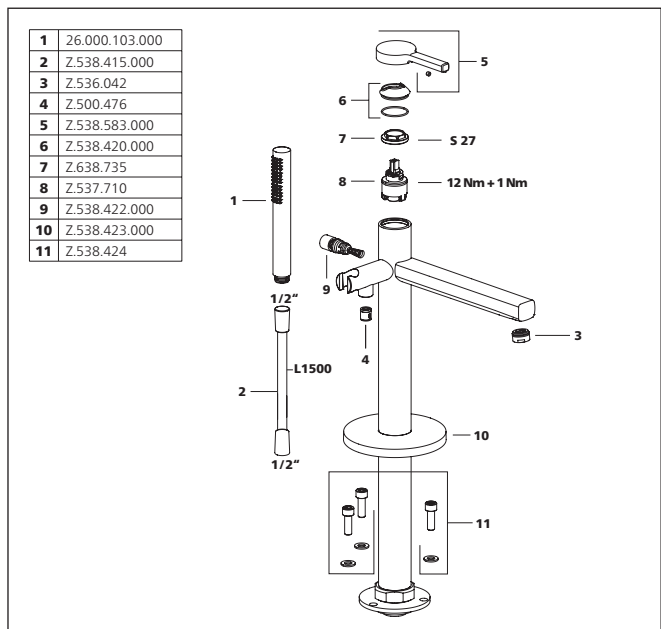


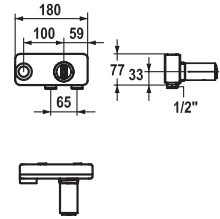
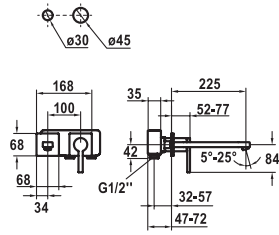
SAP Number	Article Number
chromeline, A 250, with hand shower and hose	
124793	20.461.093.000

AVA 2.0 Lever mixer - Tub

- For freestanding tub
- Integrated check valve in the hose outlet
- with shower holder
- Fixed spout
 - Neoperl® Perlator® laminar
- KWC cartridge M 35 OP
 - with ceramic discs
 - flow rate and temperature continuously variable
 - temperature limitation
- Scope of delivery:
 - Hand shower KWC FIT-X slim 26.000.103.000
 - Shower hose 1500 mm, metal Z.538.415.000
- To be ordered separately:
 - Unit for concealed installation 39.000.602.931

Flow rate 21 l/min (3 bar)
 Acoustic group II
 Spray outlet: Flow rate 12 l/min (3bar)
 Spray outlet: Acoustic group I





SAP Number	Article Number
stainless steel, A 225, Trim kit	
124960	11.452.064.700

SAP Number	Article Number
stainless steel, Concealed unit	
124963	39.001.400.700

AVA E Trim kit - Lever mixer - Basin

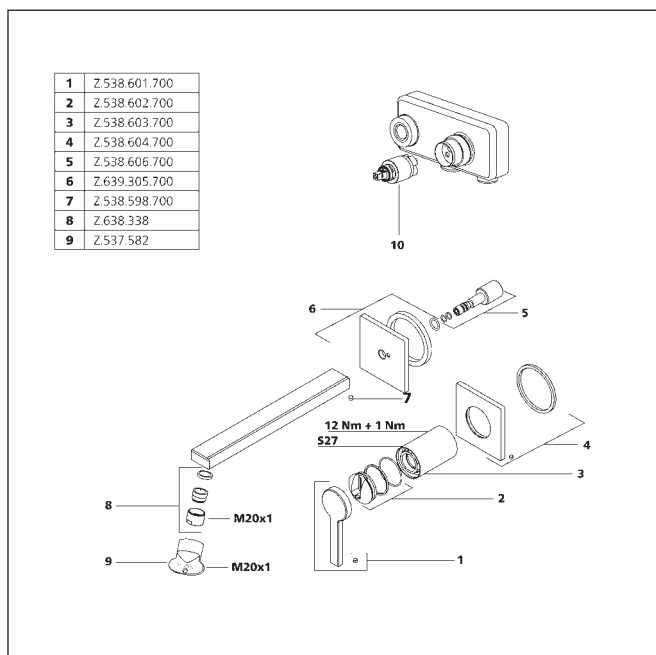
- Trim kit Lever mixer
- EcoProtect - water-saving device
- Fixed spout
- Neoperl® Perlator® SSR, swivelling jet regulator
- OptimalSpace - ample space for washing or working
- KWC cartridge M 35 H
- with ceramic discs
- flow rate and temperature continuously variable
- To be ordered separately:
- Unit for concealed installation 1/2" 39.001.400.700
- To be ordered separately (optional or if necessary):
- Extension set 20 mm Z.536.333

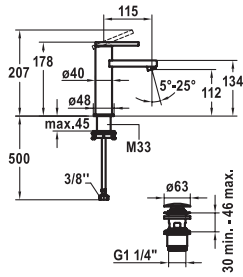
AVA E Concealed unit

- Concealed unit wall two hole
- Connecting thread 1/2"
- To be ordered separately:
- Installation kit Z.536.828
- Suitable for:
- KWC AVA E
- KWC ONO E

Flow rate 5 l/min (3 bar)
Acoustic group I

Faucets for the bathroom





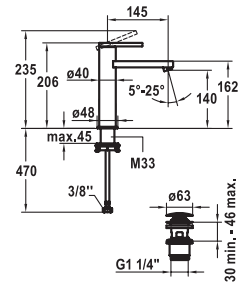
SAP Number	Article Number
stainless steel, A 115, flexible connection hoses, with Push Open	
124952	12.451.641.700FL

stainless steel, A 115, flexible connection hoses, without pop-up valve	
124953	12.451.051.700FL

AVA E Lever mixer - Basin

- Lever mixer
- EcoProtect - water-saving device
- Fixed spout
 - Neoperl® Perlator® SSR, swivelling jet regulator
- KWC cartridge S 25
 - with ceramic discs
 - flow rate and temperature continuously variable
- Flexible connection hoses 3/8"
- QuickInstallation -
 - Fastening via threaded connection with locking screws
- Mounting hole size ø35 mm
- Scope of delivery:
 - KWC pop-up valve Push Open 2 in 1 Z.538.321.177

Flow rate 5 l/min (3 bar)
Acoustic group I



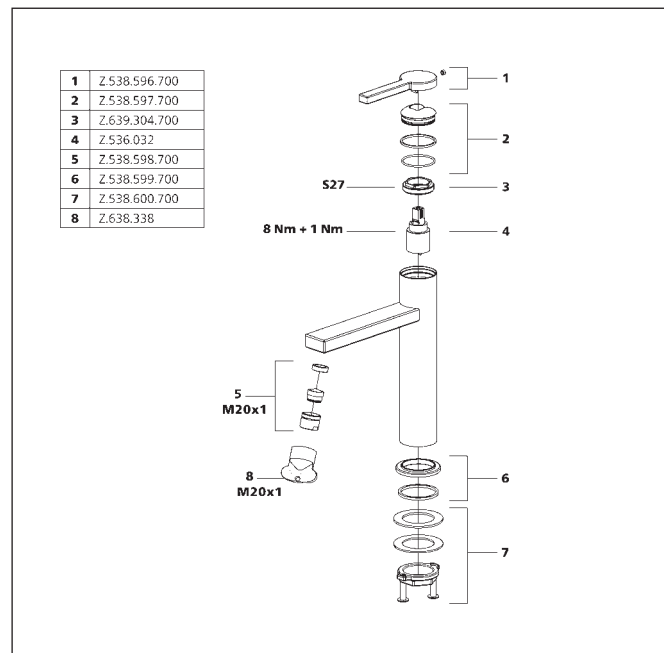
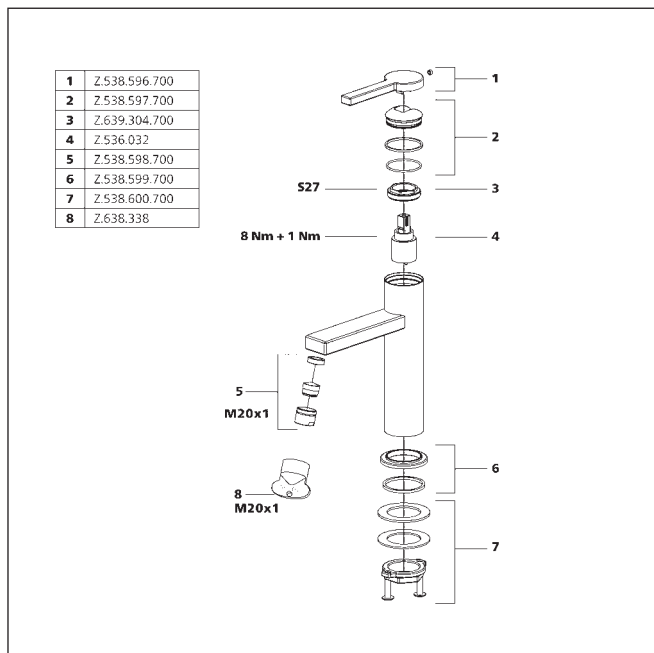
SAP Number	Article Number
stainless steel, A 145, flexible connection hoses, with Push Open	
124955	12.451.642.700FL

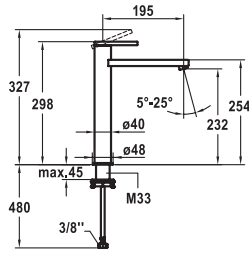
stainless steel, A 145, flexible connection hoses, without pop-up valve	
124956	12.451.052.700FL

AVA E Lever mixer - Basin

- Lever mixer
- EcoProtect - water-saving device
- Fixed spout
 - Neoperl® Perlator® SSR, swivelling jet regulator
- OptimalSpace - ample space for washing or working
- KWC cartridge S 25
 - with ceramic discs
 - flow rate and temperature continuously variable
- Flexible connection hoses 3/8"
- QuickInstallation -
 - Fastening via threaded connection with locking screws
- Mounting hole size ø35 mm
- Scope of delivery:
 - KWC pop-up valve Push Open 2 in 1 Z.538.321.177

Flow rate 5 l/min (3 bar)
Acoustic group I





SAP Number **Article Number**

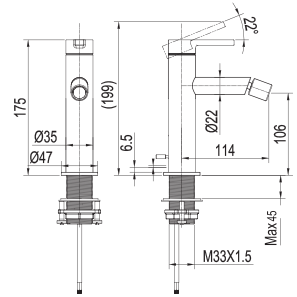
stainless steel, A 195, flexible connection hoses,
without pop-up valve

124958 12.451.093.700FL

AVA E Lever mixer - Basin

- Lever mixer
- For top-mounted basins
- EcoProtect - water-saving device
- Fixed spout
- Neoperl® Perlator® SSR, swivelling jet regulator
- OptimalSpace - ample space for washing or working
- KWC cartridge S 25
- with ceramic discs
- flow rate and temperature continuously variable
- Flexible connection hoses 3/8"
- QuickInstallation -
- Fastening via threaded connection with locking screws
- Mounting hole size Ø35 mm

Flow rate 5 l/min (3 bar)
Acoustic group I



SAP Number **Article Number**

stainless steel, A 115, flexible connection hoses,
with drain fitting

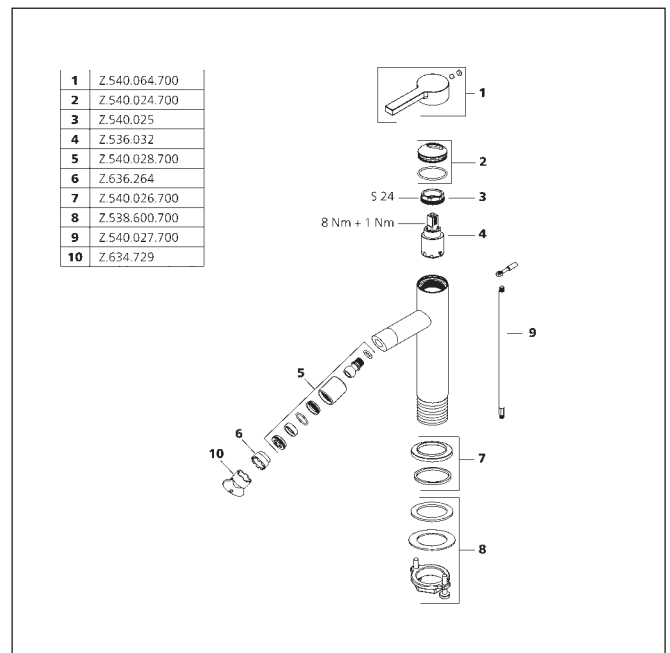
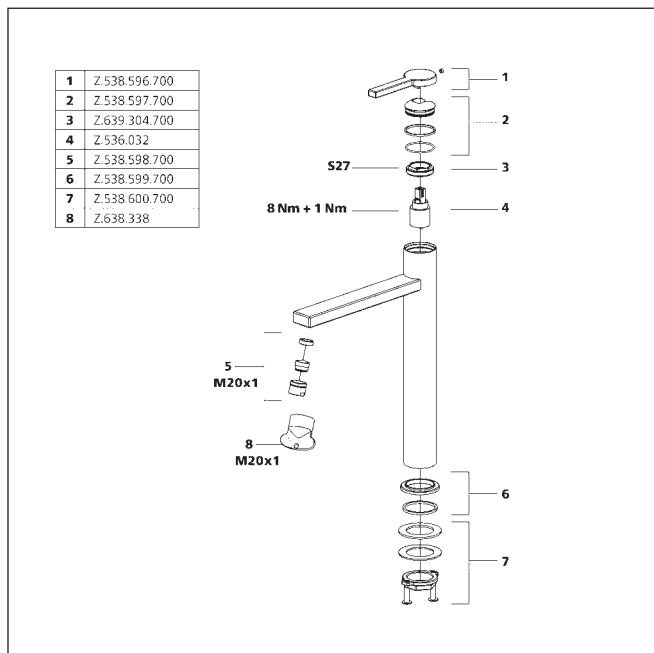
125681 13.458.041.700FL

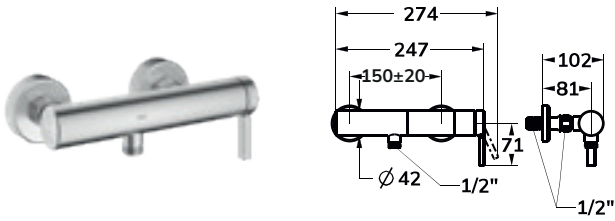
AVA E Lever mixer - Bidet

- Lever mixer
- Made of stainless steel
- EcoProtect - water-saving device
- Fixed spout
- Ball joint aerator perlator
- KWC cartridge S 25
- with ceramic discs
- flow rate and temperature continuously variable
- Flexible connection hoses 3/8"
- QuickInstallation -
- Fastening via threaded connection with locking screws
- Mounting hole size Ø35 mm
- Scope of delivery:
- KWC pop-up valve Z.538.581.000

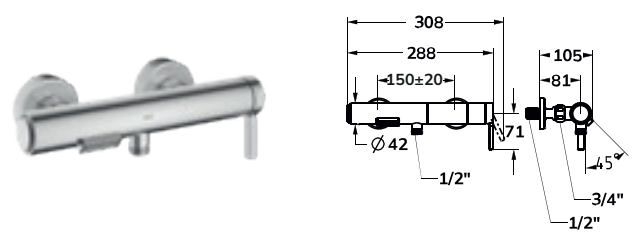
Flow rate 4.3 l/min (3 bar)
Acoustic group I

Faucets for the bathroom





NEW



NEW

SAP Number	Article Number
stainless steel, AD 150±20, without spray head and hose 125685	21.452.480.700

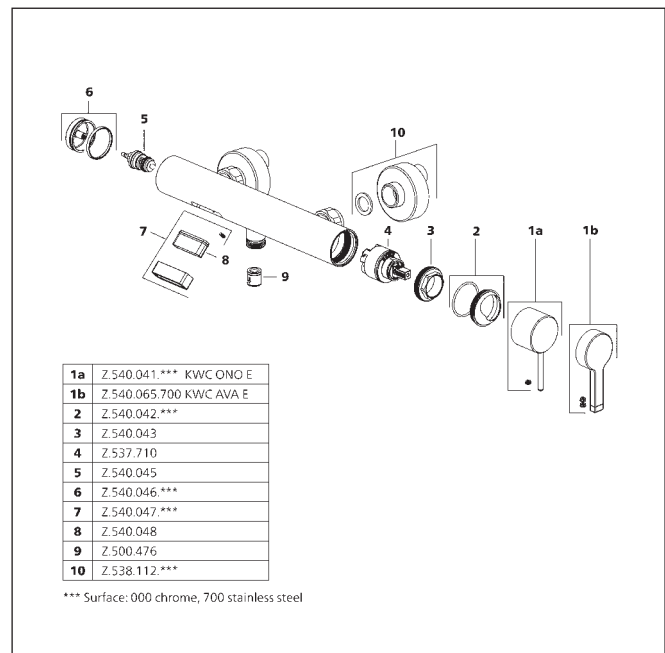
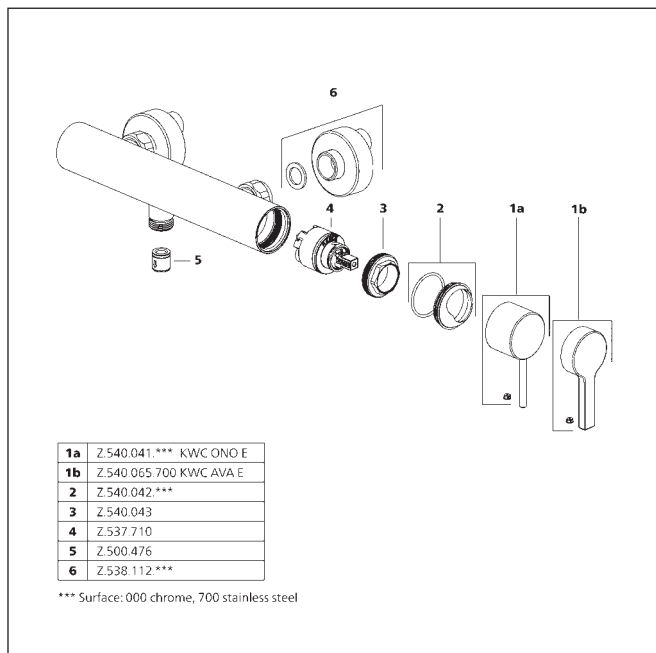
SAP Number	Article Number
stainless steel, AD 150±20, without spray head, hose and holder 125689	20.452.480.700

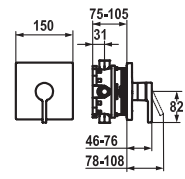
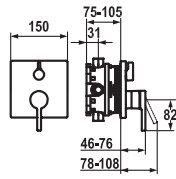
AVA E Lever mixer – Shower

- Lever mixer
- Made of stainless steel
- Inherently safe against backflow
- KWC cartridge with safety device M 35 OP
 - with ceramic discs
 - flow rate and temperature continuously variable
- Wall connections 1/2" x 3/4", without shut-off valve eccentric 10 mm

AVA E Lever mixer - bath

- Lever mixer
- Made of stainless steel
- Push-button diverter with automatic reset
- Inherently safe against backflow
- Fixed spout
 - Neoperl® surge aerator
- KWC cartridge M 35 OP
 - with ceramic discs
 - flow rate and temperature continuously variable
- Wall connections 1/2" x 3/4", without shut-off valve eccentric 10 mm





SAP Number	Article Number
brushed steel, Trim kit 124965	20.454.500.177
brushed steel, Trim kit, with vacuum breaker 124966	20.454.510.177

SAP Number	Article Number
brushed steel, Trim kit 124964	21.454.500.177

AVA E Trim kit - Lever mixer - Tub

- Trim kit with function unit
- Outflow top and below
- Turning handle for diverter
- KWC cartridge M 35
 - with ceramic discs
 - flow rate and temperature continuously variable
- Scope of delivery:
 - Function unit, lever, cap, sleeve, cover plate, holder for escutcheon, diverter
 - Fastening of the cover plate without screws
- To be ordered separately:
 - Unit for concealed installation KWC BLUEBOX® ½", without shut-off valve, 39.999.900.931
 - ¾" (½"), with shut-off valve, 39.999.910.931

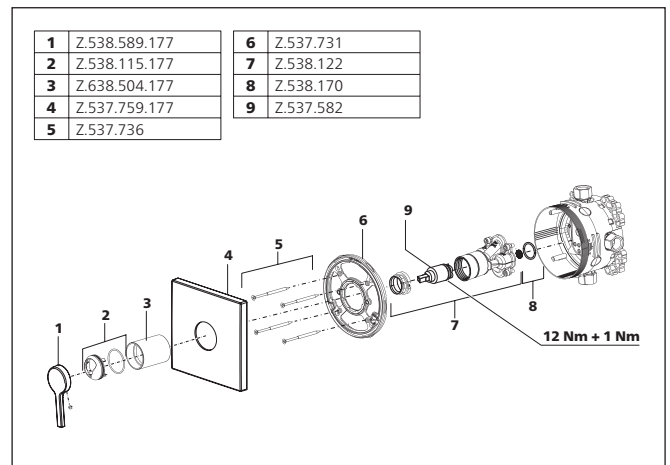
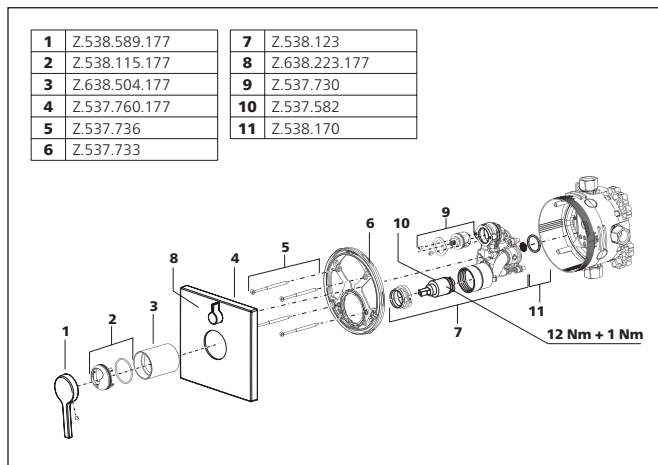
AVA E Trim kit - Lever mixer - Shower

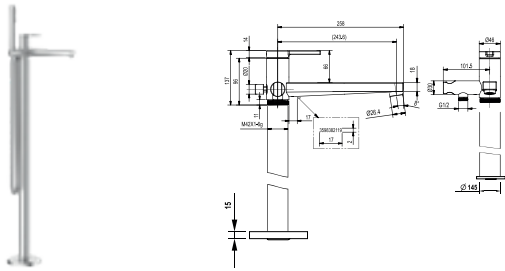
- Trim kit with function unit
- Outflow top or below
- KWC cartridge M 35
 - with ceramic discs
 - flow rate and temperature continuously variable
- Scope of delivery:
 - Function unit, lever, cap, sleeve, cover plate, holder for escutcheon
 - Fastening of the cover plate without screws
- To be ordered separately:
 - Unit for concealed installation KWC BLUEBOX® ½", without shut-off valve, 39.999.900.931
 - ¾" (½"), with shut-off valve, 39.999.910.931

Acoustic group I

Acoustic group I

Faucets for the bathroom



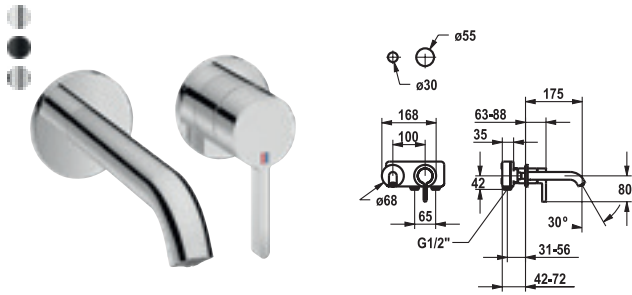


SAP Number	Article Number
stainless steel, A 245, with spray head and hose	
125690	20.451.094.700

AVA E Lever mixer – Tub

- Lever mixer
- For freestanding tub
- Made of stainless steel
- Integrated check valve in the hose outlet
- with shower holder
- Fixed spout
 - Neoperl® SLIM®
- KWC cartridge M 35 OP
 - with ceramic discs
 - flow rate and temperature continuously variable
 - temperature limitation
- Scope of delivery:
 - Hand shower KWC FIT-X slim 26.000.103.700
 - Shower hose 1500 mm, plastic 26.001.033.177
- To be ordered separately:
 - Unit for concealed installation 39.000.602.931

1	26.000.103.700
2	26.001.033.177
3	Z.540.063.700
4	Z.536.042
5	Z.500.476
6	Z.540.066.700
7	Z.540.060.700
8	Z.540.043
9	Z.537.710
10	Z.540.062.700
11	Z.635.231
12	Z.540.059.700
13	Z.538.424

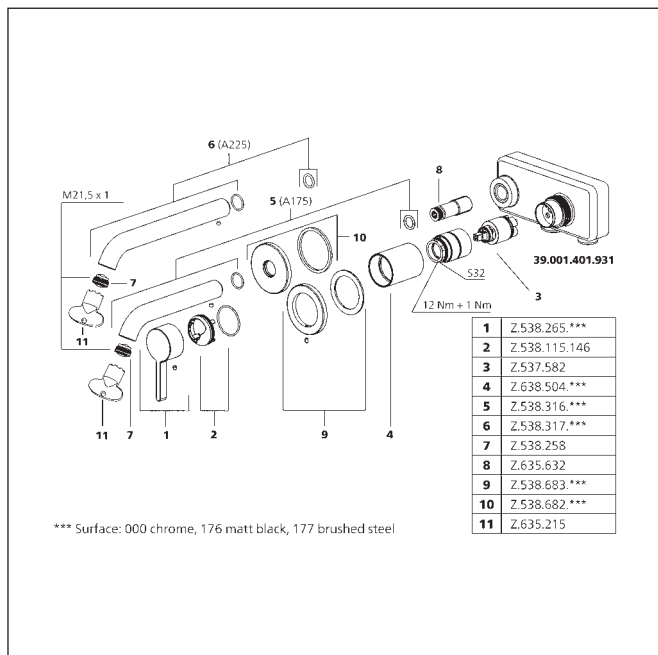


SAP Number	Article Number
chromeline, A 175, Trim kit 125190	11.422.063.000
chromeline, A 225, Trim kit 125191	11.422.064.000
matt black, A 175, Trim kit 125399	11.422.063.176
matt black, A 225, Trim kit 125400	11.422.064.176
brushed steel, A 175, Trim kit 125401	11.422.063.177
brushed steel, A 225, Trim kit 125402	11.422.064.177

BEVO Trim kit - Lever mixer - Basin

- Trim kit Lever mixer
- EcoProtect - water-saving device
- Fixed spout
 - Neoperl® Caché® CS, Coin Slot
- OptimalSpace - ample space for washing or working
- KWC cartridge M 35 H
 - with ceramic discs
 - flow rate and temperature continuously variable
- To be ordered separately:
 - Unit for concealed installation ½" 39.001.401.931
 - To be ordered separately (optional or if necessary):
 - Extension set 20 mm Z.536.333

Flow rate 5 l/min (3 bar)
Acoustic group I

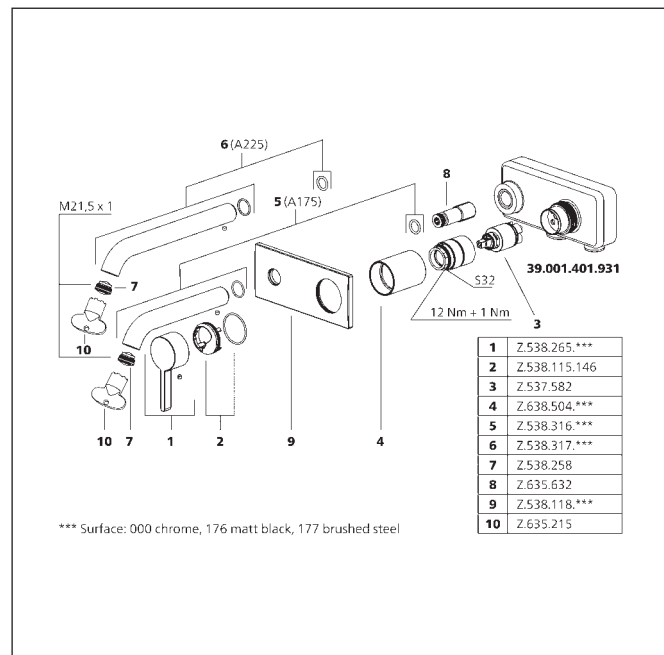


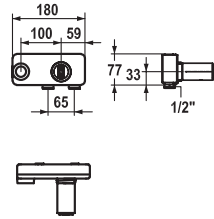
SAP Number	Article Number
chromeline, A 175, Trim kit 124619	11.422.033.000
chromeline, A 225, Trim kit 124620	11.422.034.000
matt black, A 175, Trim kit 125022	11.422.033.176
matt black, A 225, Trim kit 125023	11.422.034.176
brushed steel, A 175, Trim kit 125049	11.422.033.177
brushed steel, A 225, Trim kit 125050	11.422.034.177

BEVO Trim kit - Lever mixer - Basin

- Trim kit Lever mixer
- EcoProtect - water-saving device
- Fixed spout
 - Neoperl® Caché® CS, Coin Slot
- OptimalSpace - ample space for washing or working
- KWC cartridge M 35 H
 - with ceramic discs
 - flow rate and temperature continuously variable
- To be ordered separately:
 - Unit for concealed installation ½" 39.001.401.931
 - To be ordered separately (optional or if necessary):
 - Extension set 20 mm Z.536.333

Flow rate 5 l/min (3 bar)
Acoustic group I

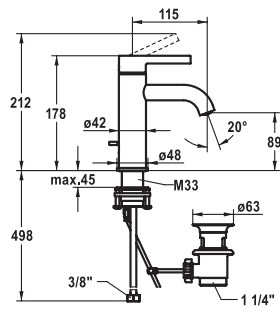




SAP Number	Article Number
931 roh, Concealed unit	
124315	39.001.401.931

BEVO Concealed unit

- Concealed unit wall two hole
- Connecting thread 1/2"
- To be ordered separately:
 - Installation kit Z.536.828
- Suitable for:
 - KWC BEVO
 - KWC DOMO 6.0
 - KWC ELLA
 - KWC MANA



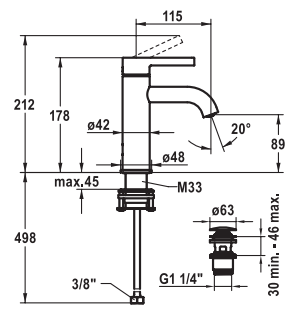
SAP Number	Article Number
chromeline, A 115, flexible connection hoses, with pop-up valve	
124603	12.421.041.000FL

chromeline, A 115, flexible connection hoses, without pop-up valve	
124604	12.421.051.000FL

BEVO Lever mixer - Basin

- Lever mixer
- EcoProtect - water-saving device
- Fixed spout
 - Neoperl® Caché® CS, Coin Slot
- KWC cartridge M 35 OP
 - with ceramic discs
 - flow rate and temperature continuously variable
 - temperature limitation
- Flexible connection hoses 3/8"
- QuickInstallation - Fastening via threaded connection with locking screws
- Mounting hole size ø35 mm
- Scope of delivery:
 - KWC pop-up valve Z.538.581.000

Flow rate 5 l/min (3 bar)
Acoustic group I



SAP Number	Article Number
matt black, A 115, flexible connection hoses, with Push Open	
125016	12.421.641.176FL

matt black, A 115, flexible connection hoses, without pop-up valve	
125017	12.421.051.176FL

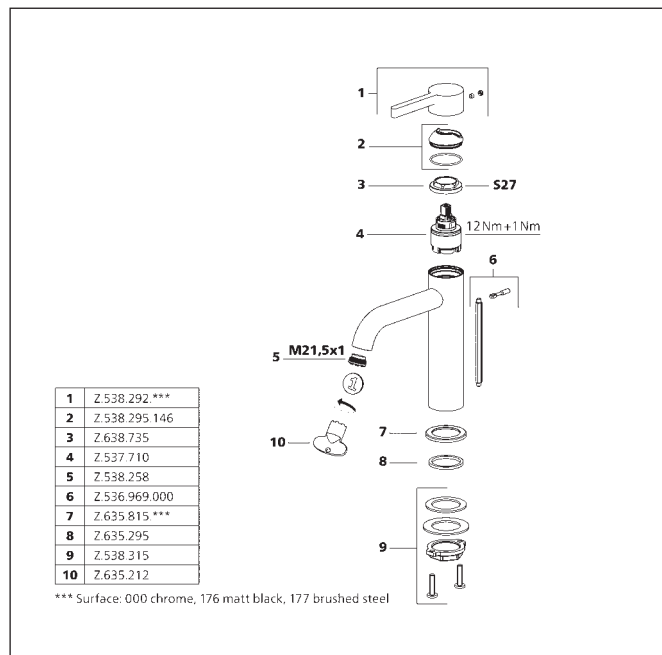
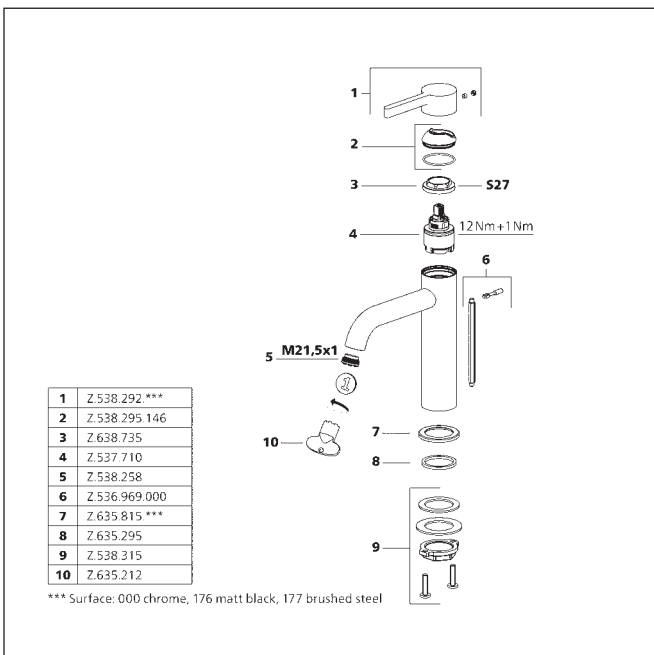
brushed steel, A 115, flexible connection hoses, with Push Open	
125043	12.421.641.177FL

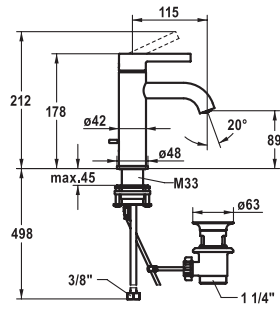
brushed steel, A 115, flexible connection hoses, without pop-up valve	
125044	12.421.051.177FL

BEVO Lever mixer - Basin

- Lever mixer
- EcoProtect - water-saving device
- Fixed spout
 - Neoperl® Caché® CS, Coin Slot
- KWC cartridge M 35 OP
 - with ceramic discs
 - flow rate and temperature continuously variable
 - temperature limitation
- Flexible connection hoses 3/8"
- QuickInstallation - Fastening via threaded connection with locking screws
- Mounting hole size ø35 mm
- Scope of delivery:
 - KWC pop-up valve Push Open 2 in 1 Z.538.321.176

Flow rate 5 l/min (3 bar)
Acoustic group I



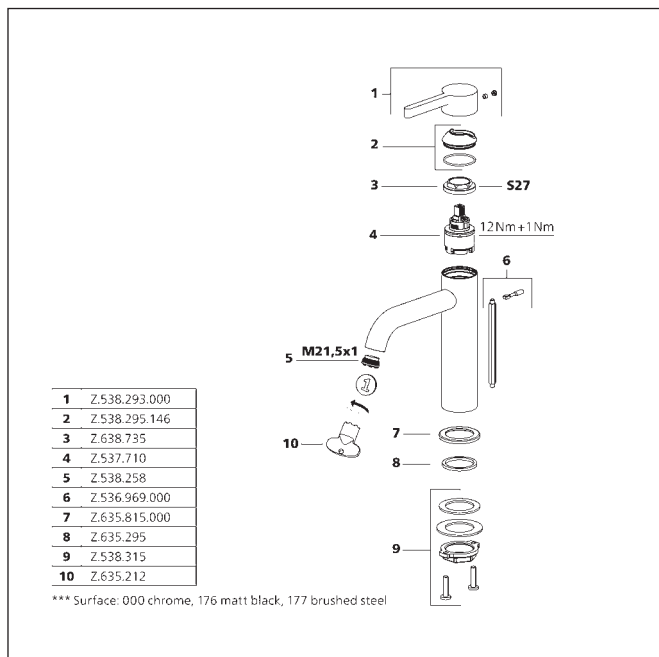


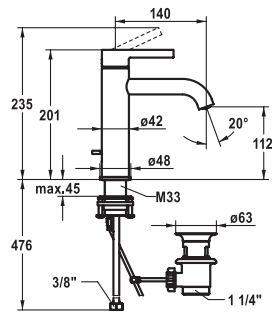
SAP Number	Article Number
chromeline, A 115, flexible connection hoses, with pop-up valve	
124605	12.421.031.000FL
chromeline, A 115, flexible connection hoses, without pop-up valve	
124606	12.421.071.000FL

BEVO Lever mixer - Basin - CoolFix

- Lever mixer
- CoolFix - Cold water flow with a centered lever
- EcoProtect - water-saving device
- Fixed spout
 - Neoperl® Caché® CS, Coin Slot
- KWC cartridge M 35 OP
 - with ceramic discs
 - flow rate and temperature continuously variable
 - temperature limitation
- Flexible connection hoses 3/8"
- QuickInstallation -
 - Fastening via threaded connection with locking screws
- Mounting hole size ø35 mm
- Scope of delivery:
 - KWC pop-up valve Z.538.581.000

Flow rate 5 l/min (3 bar)
Acoustic group I





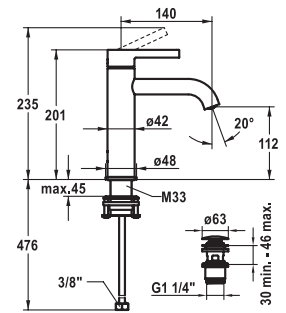
SAP Number	Article Number
chromeline, A 140, flexible connection hoses, with pop-up valve 124607	12.421.042.000FL

chromeline, A 140, flexible connection hoses, without pop-up valve 124608	12.421.052.000FL
---	------------------

BEVO Lever mixer - Basin

- Lever mixer
- EcoProtect - water-saving device
- Fixed spout
 - Neoperl® Caché® CS, Coin Slot
- OptimalSpace - ample space for washing or working
- KWC cartridge M 35 OP
 - with ceramic discs
 - flow rate and temperature continuously variable
 - temperature limitation
- Flexible connection hoses 3/8"
- QuickInstallation -
 - Fastening via threaded connection with locking screws
- Mounting hole size ø35 mm
- Scope of delivery:
 - KWC pop-up valve Z.538.581.000

Flow rate 5 l/min (3 bar)
Acoustic group I



SAP Number	Article Number
matt black, A 140, flexible connection hoses, with Push Open 125018	12.421.642.176FL

matt black, A 140, flexible connection hoses, without pop-up valve 125019	12.421.052.176FL
---	------------------

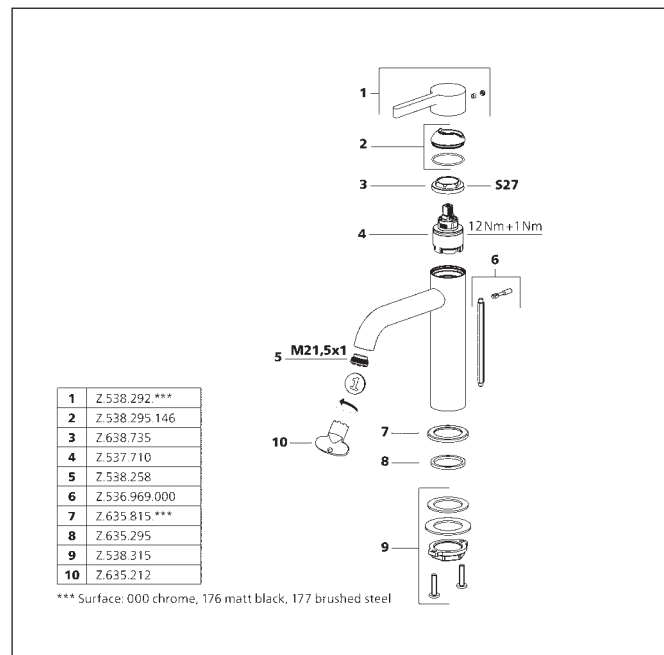
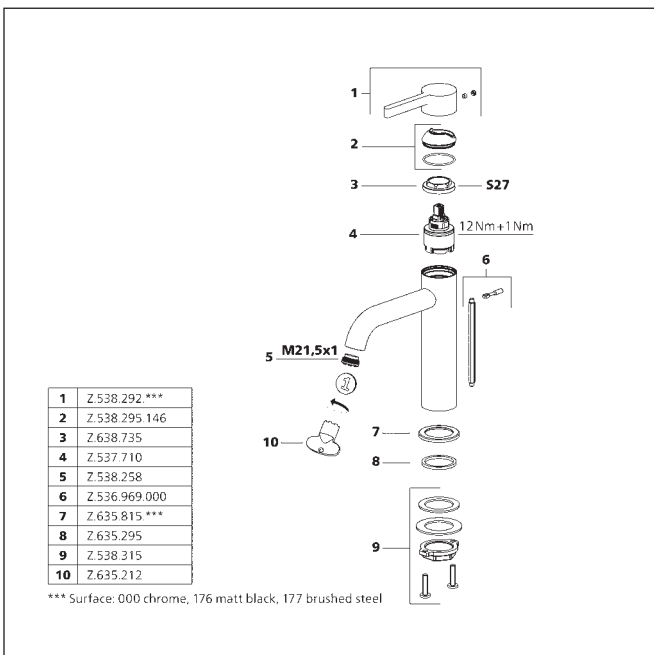
brushed steel, A 140, flexible connection hoses, with Push Open 125045	12.421.642.177FL
--	------------------

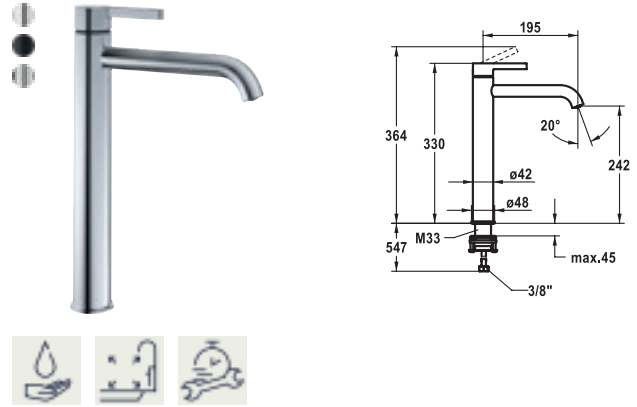
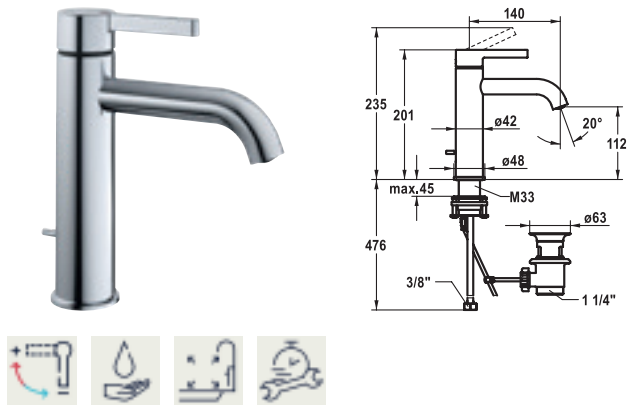
brushed steel, A 140, flexible connection hoses, without pop-up valve 125046	12.421.052.177FL
--	------------------

BEVO Lever mixer - Basin

- Lever mixer
- EcoProtect - water-saving device
- Fixed spout
 - Neoperl® Caché® CS, Coin Slot
- OptimalSpace - ample space for washing or working
- KWC cartridge M 35 OP
 - with ceramic discs
 - flow rate and temperature continuously variable
 - temperature limitation
- Flexible connection hoses 3/8"
- QuickInstallation -
 - Fastening via threaded connection with locking screws
- Mounting hole size ø35 mm
- Scope of delivery:
 - KWC pop-up valve Push Open 2 in 1 Z.538.321.176

Flow rate 5 l/min (3 bar)
Acoustic group I





SAP Number	Article Number
chromeline, A 140, flexible connection hoses, with pop-up valve 124609	12.421.032.000FL
chromeline, A 140, flexible connection hoses, without pop-up valve 124610	12.421.072.000FL

SAP Number	Article Number
chromeline, A 195, flexible connection hoses, without pop-up valve 124616	12.421.093.000FL
matt black, A 195, flexible connection hoses, without pop-up valve 125021	12.421.093.176FL

BEVO Lever mixer - Basin - CoolFix

- Lever mixer
- CoolFix - Cold water flow with a centered lever
- EcoProtect - water-saving device
- Fixed spout
 - Neoperl® Caché® CS, Coin Slot
- OptimalSpace - ample space for washing or working
- KWC cartridge M 35 OP
 - with ceramic discs
 - flow rate and temperature continuously variable
 - temperature limitation
- Flexible connection hoses 3/8"
- QuickInstallation - Fastening via threaded connection with locking screws
- Mounting hole size ø35 mm
- Scope of delivery:
 - KWC pop-up valve Z.538.581.000

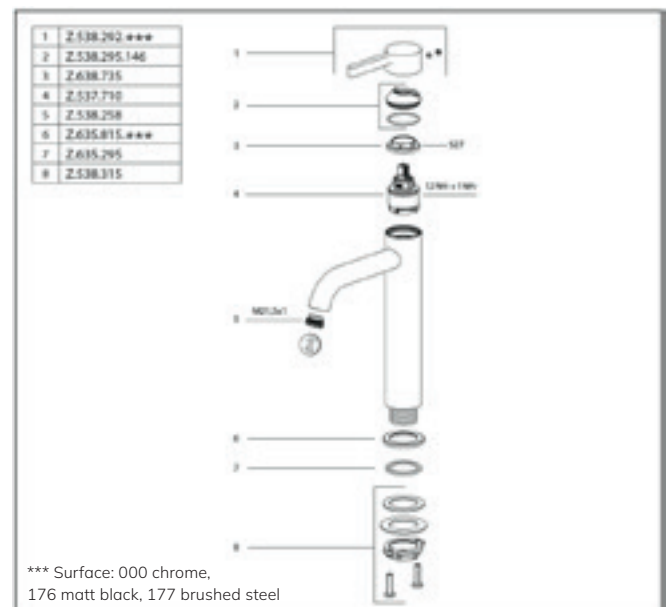
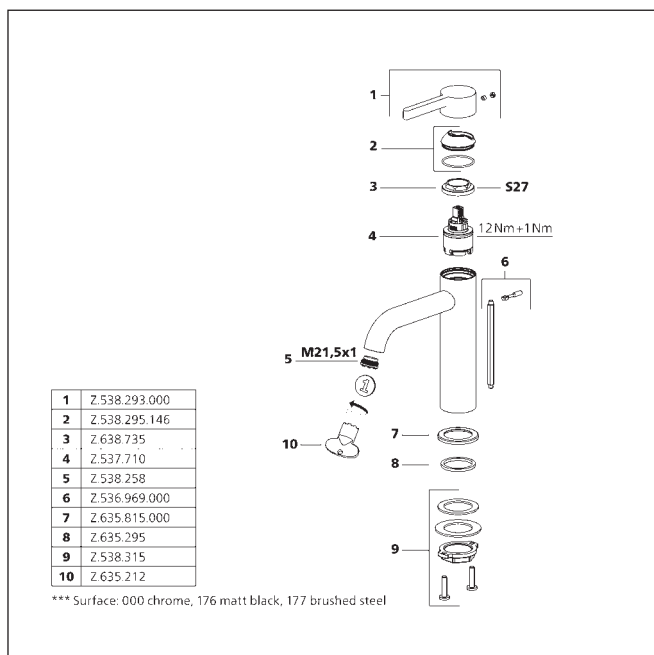
brushed steel, A 195, flexible connection hoses, without pop-up valve 125048	12.421.093.177FL
--	------------------

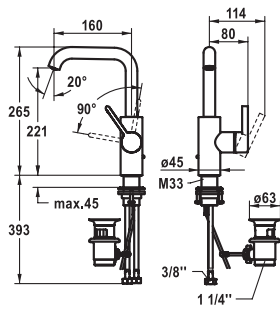
BEVO Lever mixer - Basin

- Lever mixer
- For top-mounted basins
- EcoProtect - water-saving device
- Fixed spout
 - Neoperl® Caché® CS, Coin Slot
- OptimalSpace - ample space for washing or working
- KWC cartridge M 35 OP
 - with ceramic discs
 - flow rate and temperature continuously variable
 - temperature limitation
- Flexible connection hoses 3/8"
- QuickInstallation - Fastening via threaded connection with locking screws
- Mounting hole size ø35 mm

Flow rate 5 l/min (3 bar)
Acoustic group I

Flow rate 5 l/min (3 bar)
Acoustic group I





SAP Number **Article Number**

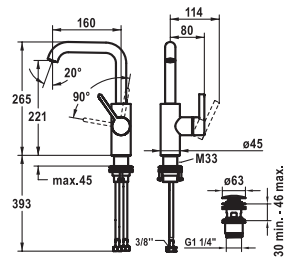
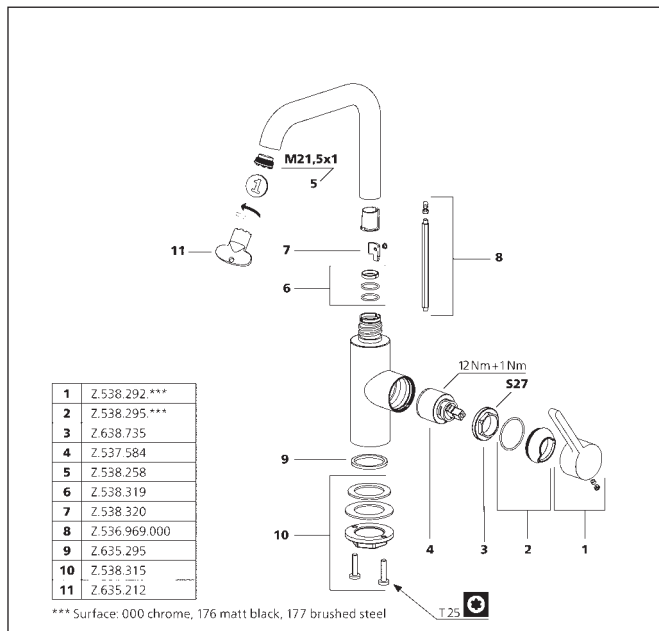
chromeline, A 160, flexible connection hoses, with pop-up valve
124613 12.421.132.000FL

chromeline, A 160, flexible connection hoses, without pop-up valve
124614 12.421.142.000FL

BEVO Lever mixer - Basin

- Lever mixer
- Lever installation only possible on the right side
 - Child safety: cold water flow in lever position towards the front
- EcoProtect - water-saving device
- Swivel spout 120°, extensible to 360°
 - Neoperl® Caché® CS, Coin Slot
- OptimalSpace - ample space for washing or working
- KWC cartridge M 35 S
 - with ceramic discs
 - flow rate and temperature continuously variable
- Flexible connection hoses 3/8"
- QuickInstallation - Fastening via threaded connection with locking screws
- Mounting hole size ø35 mm
- Scope of delivery:
 - KWC pop-up valve Z.538.581.000

Flow rate 5 l/min (3 bar)
 Acoustic group I



SAP Number **Article Number**

matt black, A160, flexible connection hoses, with Push Open
3600003631 12.421.652.176FL

brushed steel, A160, flexible connection hoses, with Push Open
3600003632 12.421.652.177FL

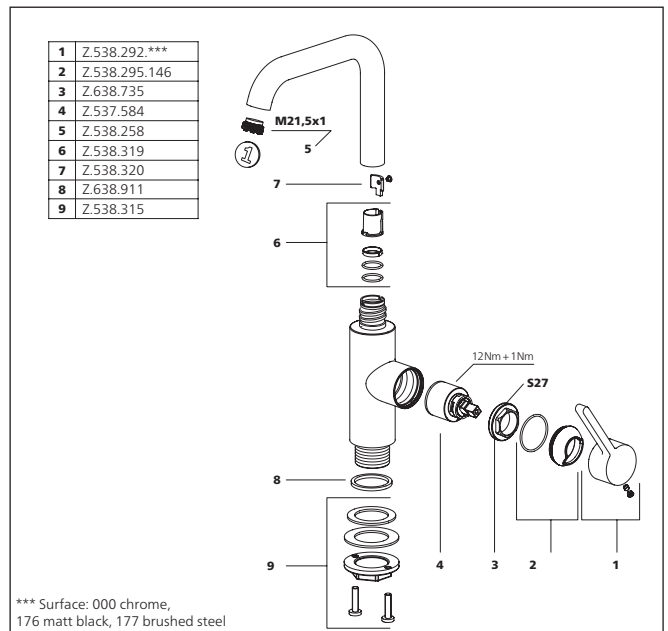
matt black, A160, flexible connection hoses, without pop-up valve
3600004589 12.421.142.176FL

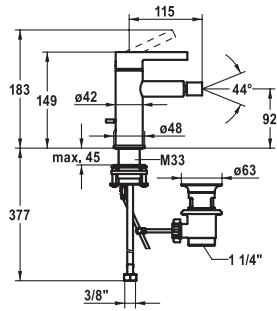
brushed steel, A160, flexible connection hoses, without pop-up valve
3600004610 12.421.142.177FL

BEVO Lever mixer – Washbasin

- Lever mixer
- Lever installation only possible on the right side
 - Child safety: cold water flow in lever position towards the front
- EcoProtect - water-saving device
- Swivel spout 120°, extensible to 360°
 - Neoperl® Caché® CS, Coin Slot
- OptimalSpace - ample space for washing or working
- KWC cartridge M 35 S
 - with ceramic discs
 - flow rate and temperature continuously variable
- Flexible connection hoses 3/8"
- QuickInstallation - Fastening via threaded connection with locking screws
- Mounting hole size ø35 mm
- Scope of delivery:
 - KWC pop-up valve Push Open 2 in 1 Z.538.321.176

Flow rate 4.7 l/min (3 bar)
 Acoustic group I



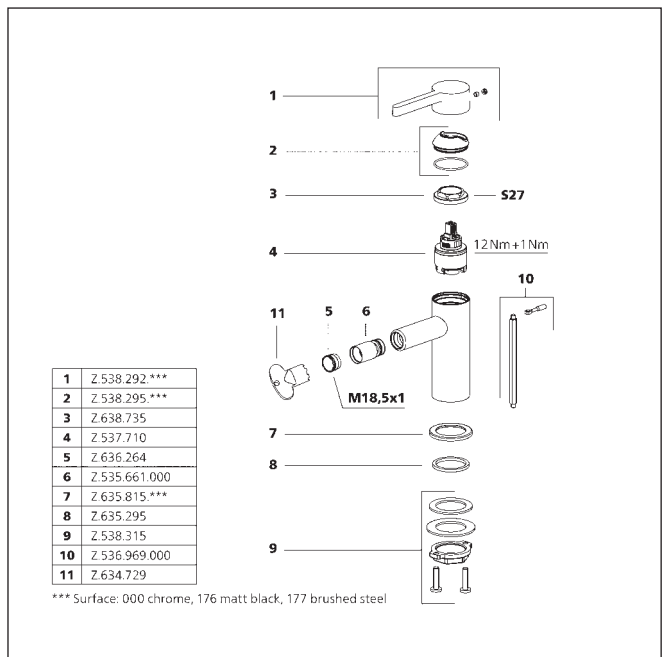


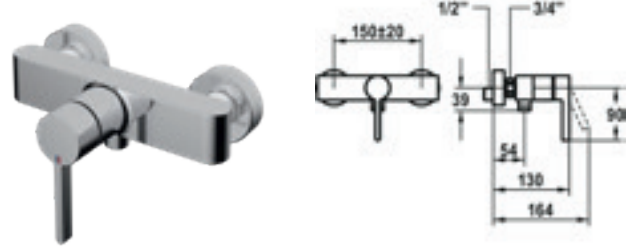
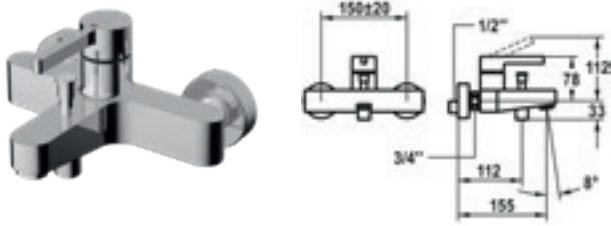
SAP Number	Article Number
chromeline, A 115, flexible connection hoses, with pop-up valve 124618	13.421.041.000FL
matt black, A115, flexible connection hoses, with Push Open 360003608	13.421.641.176FL
brushed steel, A115, flexible connection hoses, with Push Open 360003633	13.421.641.177FL

BEVO Lever mixer - Bidet

- Lever mixer
- EcoProtect - water-saving device
- Fixed spout
 - ball joint aerator Neoperl® Caché®
- KWC cartridge M 35 OP
 - with ceramic discs
 - flow rate and temperature continuously variable
 - temperature limitation
- Flexible connection hoses 3/8"
- QuickInstallation -
Fastening via threaded connection with locking screws
- Mounting hole size ø35 mm
- Scope of delivery:
 - KWC pop-up valve Z.538.581.000

Flow rate 5 l/min (3 bar)
Acoustic group I





SAP Number	Article Number
chromeline, AD 150±20 mm mm, A 175, without hand shower, hose and bracket	
124625	20.422.333.000

SAP Number	Article Number
chromeline, AD 150±20 mm mm, without hand shower and hose	
124630	21.422.330.000

BEVO Lever mixer

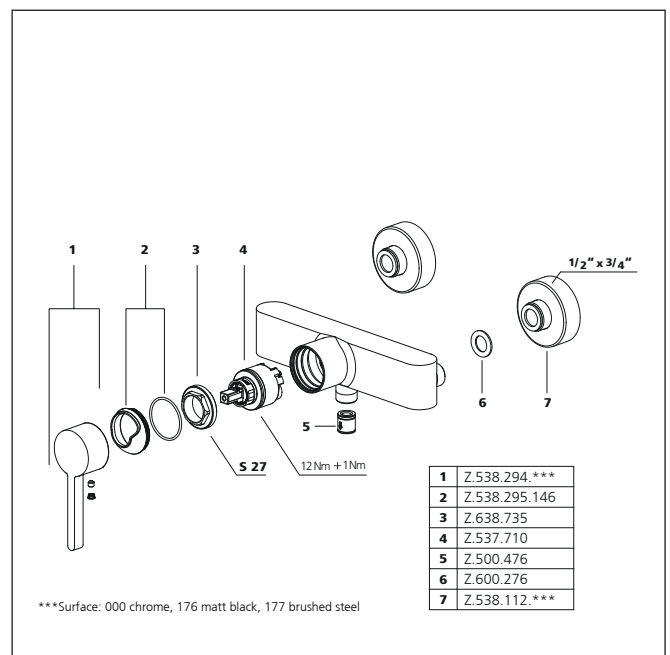
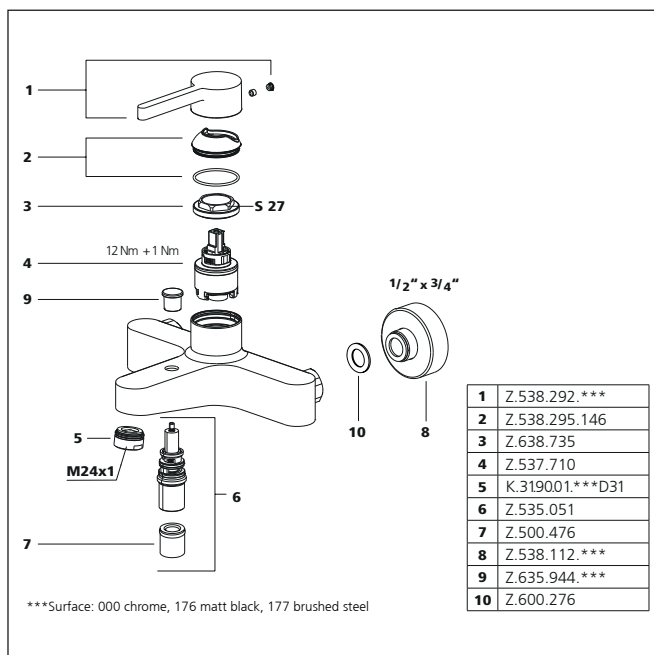
- Lever mixer
- Diverter with automatic reset
- Inherently safe against backflow
- Fixed spout
 - Neoperl® Cascade®
- KWC cartridge M 35 OP
 - with ceramic discs
 - flow rate and temperature continuously variable
 - temperature limitation
- Wall connections 1/2" x 3/4", without shut-off valve eccentric 10 mm

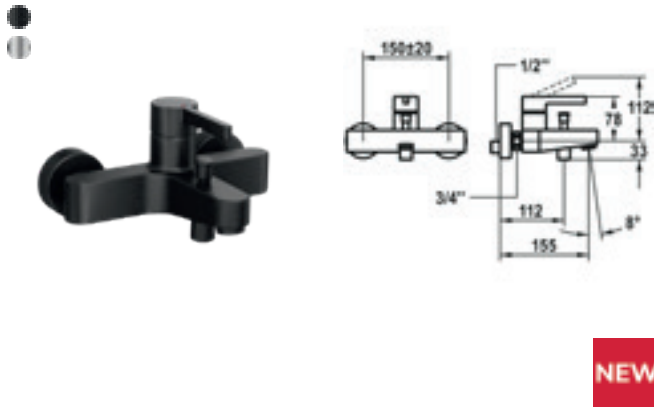
BEVO Lever mixer - Shower

- Lever mixer
- Inherently safe against backflow
- KWC cartridge M 35 OP
 - with ceramic discs
 - flow rate and temperature continuously variable
 - temperature limitation
- Wall connections 1/2" x 3/4", without shut-off valve eccentric 10 mm

Flow rate 20 l/min (3 bar)
 Acoustic group II
 Spray outlet: Flow rate 12 l/min (3bar)
 Spray outlet: Acoustic group I

Acoustic group I
 Spray outlet: Flow rate 12 l/min (3bar)
 Spray outlet: Acoustic group I





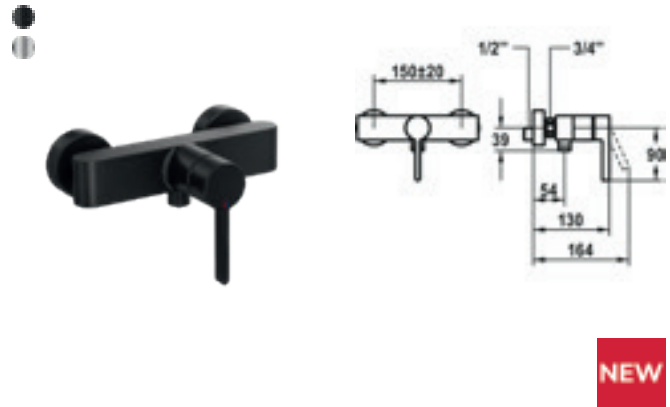
NEW

SAP Number	Article Number
matt black, AD 150±20, without spray and holder 3600003648	20.422.333.176
brushed steel, AD 150±20, without spray and holder 3600003649	20.422.333.177

BEVO Lever mixer - bath

- Lever mixer
- Diverter with automatic reset
- Inherently safe against backflow
- Fixed spout
 - Neoperl® Cascade®
- KWC cartridge M 35 OP
 - with ceramic discs
 - flow rate and temperature continuously variable
 - temperature limitation
- Wall connections 1/2" x 3/4", without shut-off valve eccentric 10 mm

Flow rate 20 l/min (3 bar)
Acoustic group II
Spray outlet: Flow rate 12 l/min (3 bar)



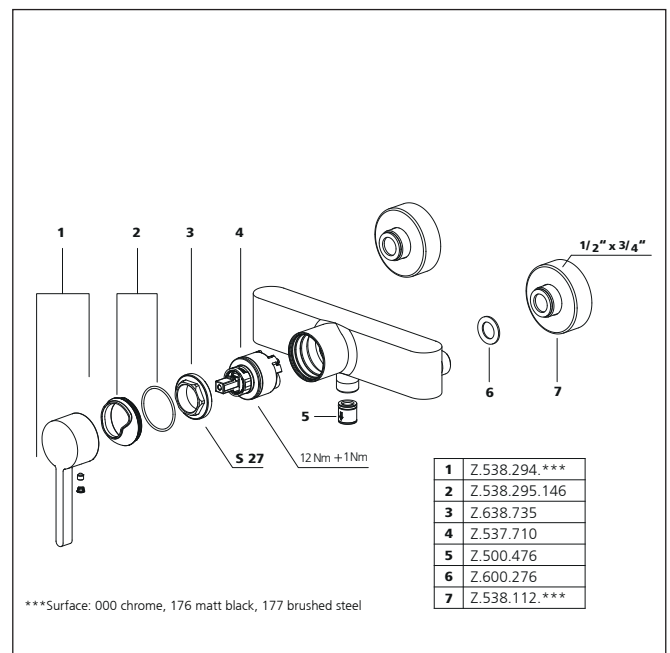
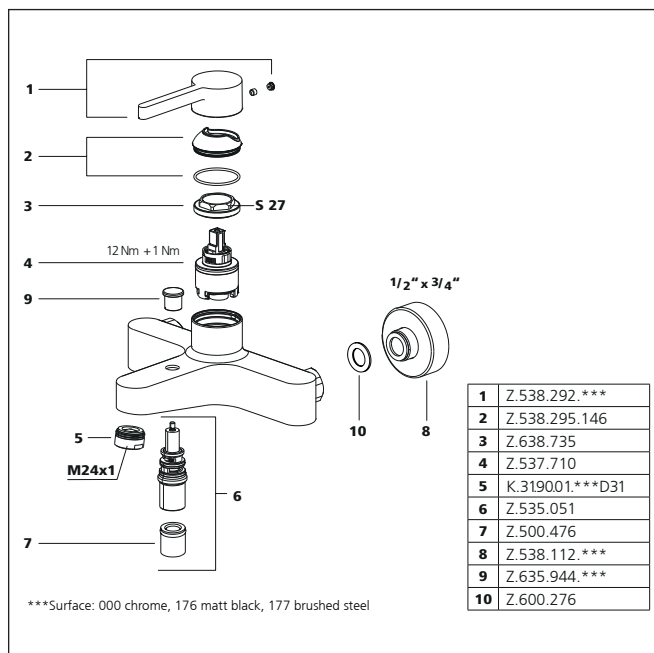
NEW

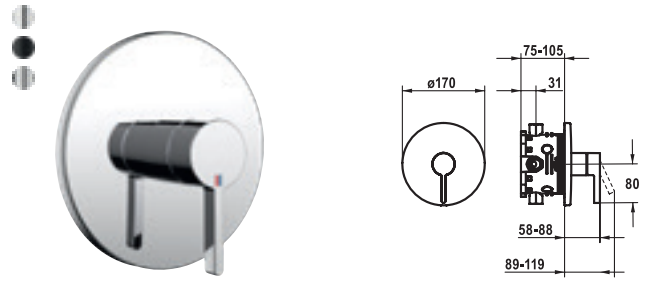
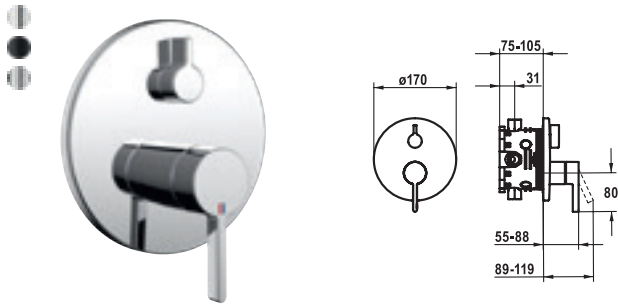
SAP Number	Article Number
matt black, AD 150±20, without spray and holder 3600003657	21.422.330.176
brushed steel, AD 150±20, without spray and holder 3600003658	21.422.330.177

BEVO Lever mixer - bath

- Lever mixer
- Inherently safe against backflow
- KWC cartridge M 35 OP
 - with ceramic discs
 - flow rate and temperature continuously variable
 - temperature limitation
- Wall connections 1/2" x 1/2", without shut-off valve eccentric 10 mm

Acoustic group I
Spray outlet: Flow rate 12 l/min (3 bar)





SAP Number	Article Number
chromeline, Trim kit 124634	20.424.500.000
chromeline, Trim kit, with vacuum breaker 124636	20.424.510.000
matt black, Trim kit 125027	20.424.500.176
matt black, Trim kit, with vacuum breaker 125028	20.424.510.176
brushed steel, Trim kit 125054	20.424.500.177
brushed steel, Trim kit, with vacuum breaker 125055	20.424.510.177

BEVO Trim kit - Lever mixer - Tub

- Trim kit with function unit
- Outflow top and below
- Turning handle for diverter
- KWC cartridge M 35 H
 - with ceramic discs
 - flow rate and temperature continuously variable
- Scope of delivery:
 - Function unit, lever, cap, sleeve, cover plate, holder for escutcheon, diverter
 - Fastening of the cover plate without screws
- To be ordered separately:
 - Unit for concealed installation KWC BLUEBOX® ½", without shut-off valve, 39.999.900.931
 - ¾" (½"), with shut-off valve, 39.999.910.931

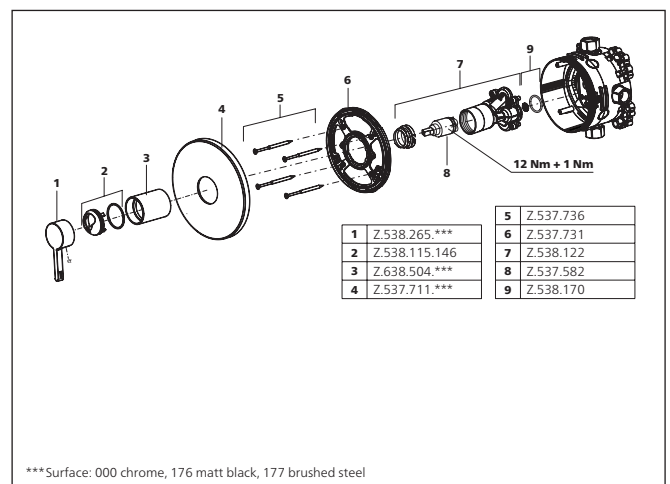
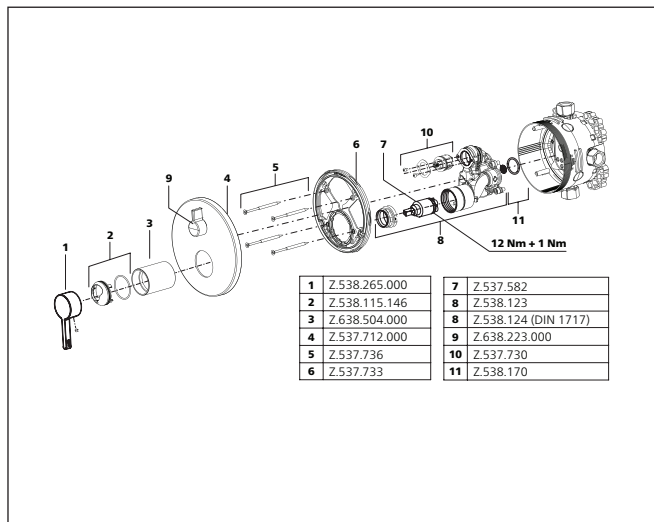
Acoustic group I

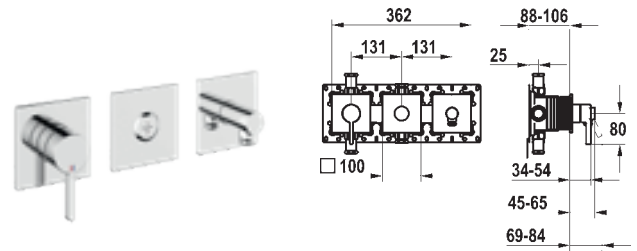
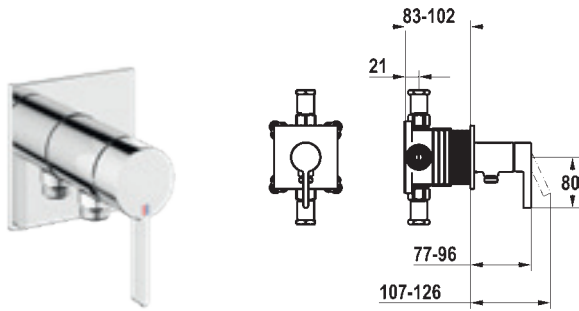
SAP Number	Article Number
chromeline, Trim kit 124632	21.424.500.000
matt black, Trim kit 125025	21.424.500.176
brushed steel, Trim kit 125052	21.424.500.177

BEVO Trim kit - Lever mixer - Shower

- Trim kit with function unit
- Outflow top or below
- KWC cartridge M 35 H
 - with ceramic discs
 - flow rate and temperature continuously variable
- Scope of delivery:
 - Function unit, lever, cap, sleeve, cover plate, holder for escutcheon
 - Fastening of the cover plate without screws
- To be ordered separately:
 - Unit for concealed installation KWC BLUEBOX® ½", without shut-off valve, 39.999.900.931
 - ¾" (½"), with shut-off valve, 39.999.910.931

Acoustic group I





SAP Number	Article Number
chromeline, trim kit, with safety device DIN EN 1717 125291	21.424.550.000

**Trim kit, with safety device DIN EN 1717
Lever mixer – Shower**

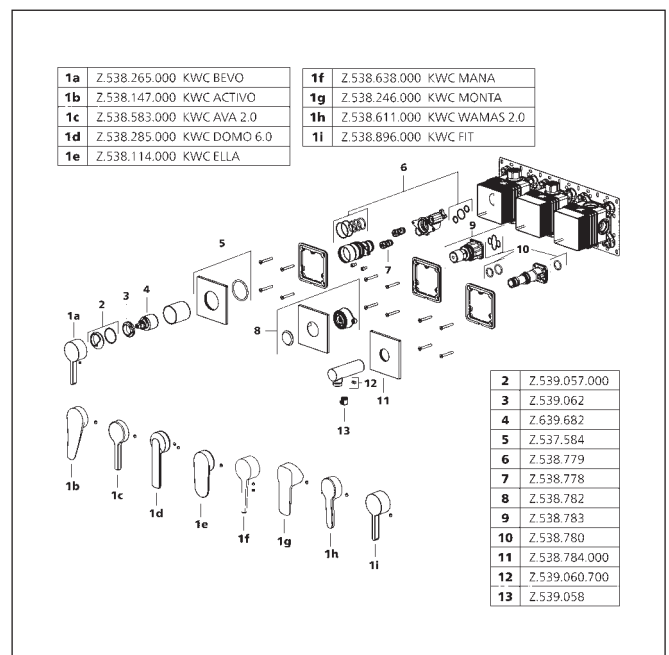
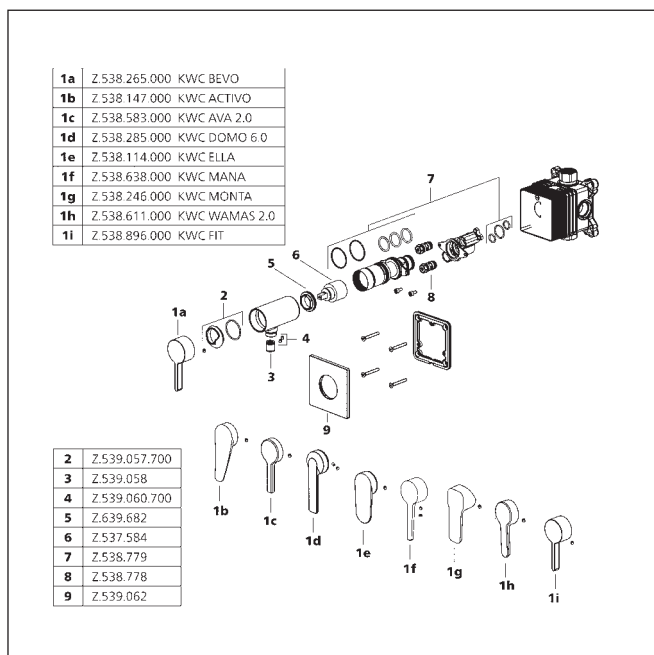
- Trim kit with function unit KWC HOMEBOX
- Outflow with integrated hose connection
- KWC cartridge M 35-S HF
 - with ceramic discs
 - flow rate and temperature continuously variable
- Scope of delivery:
 - Lever mixer unit with integrated hose connection
 - Fastening of the cover plate without screws
- To be ordered separately:
 - Unit for concealed installation KWC HOMEBOX
Lever mixer 1 Consumers 39.006.251.931

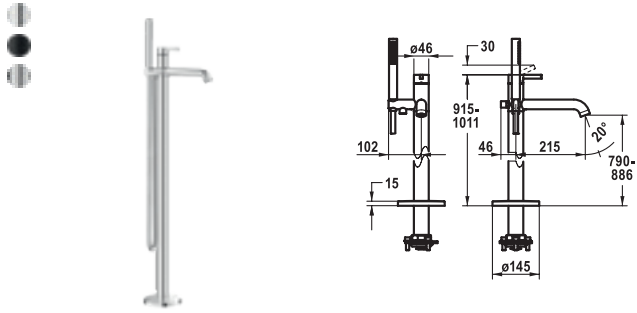
SAP Number	Article Number
chromeline, trim kit, with safety device DIN EN 1717 125295	20.424.550.000

**Trim kit, with safety device DIN EN 1717
Lever mixer – Tub**

- Trim kit with function unit KWC HOMEBOX
- Outflow with integrated hose connection above or below for the second consumer with CHOICE diverter without automatic reset
- KWC cartridge M 35-S HF
 - with ceramic discs
 - flow rate and temperature continuously variable
- Scope of delivery:
 - Lever mixer unit
 - Diverter unit
 - Hose connection unit
 - Fastening of the cover plate without screws
- To be ordered separately:
 - Unit for concealed installation KWC HOMEBOX Thermostatic/
lever mixer 2 consumers 39.006.261.931

Acoustic group I





SAP Number	Article Number
chromeline, A 215, with hand shower and hose 124791	20.421.093.000
matt black, A 215, with hand shower and hose 125030	20.421.093.176
brushed steel, A 215, with hand shower and hose 125057	20.421.093.177

BEVO Lever mixer - Tub

- Lever mixer
- For freestanding tub
- Integrated check valve in the hose outlet
- with shower holder
- Fixed spout
 - Neoperl® SLIM®
- KWC cartridge M 35 OP
 - with ceramic discs
 - flow rate and temperature continuously variable
 - temperature limitation
- Scope of delivery:
 - Hand shower KWC FIT-X slim 26.000.103.000
 - Shower hose 1500 mm, metal Z.538.415.000
- To be ordered separately:
 - Unit for concealed installation 39.000.602.931

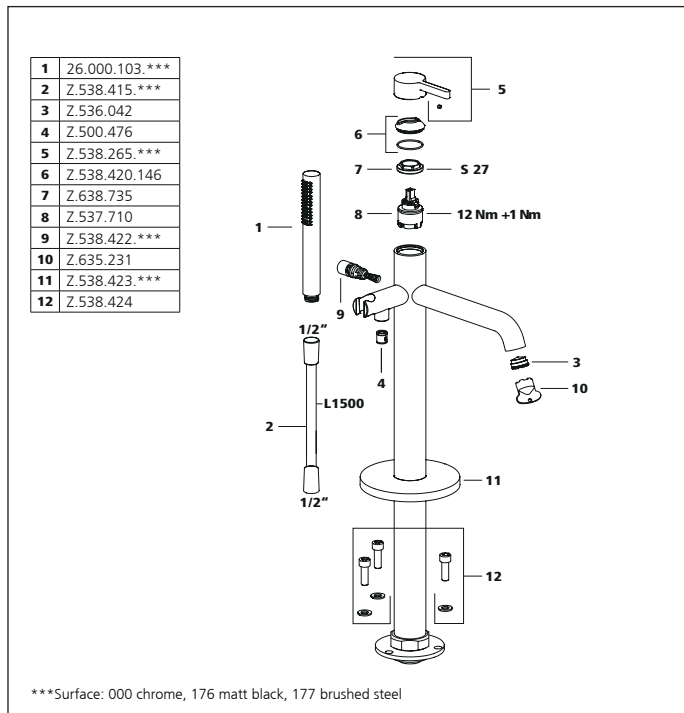
Flow rate 21 l/min (3 bar)

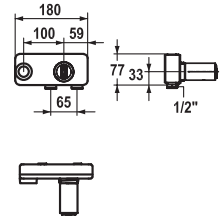
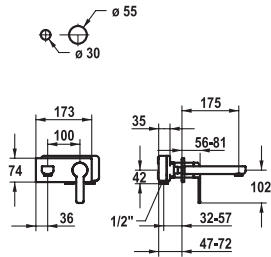
Acoustic group II

Spray outlet: Flow rate 12 l/min (3bar)

Spray outlet: Acoustic group I

Faucets for the bathroom





SAP Number	Article Number
chromeline, A 175, Trim kit 124584	11.662.033.000
chromeline, A 225, Trim kit 124585	11.662.034.000

SAP Number	Article Number
931 roh, Concealed unit 124315	39.001.401.931

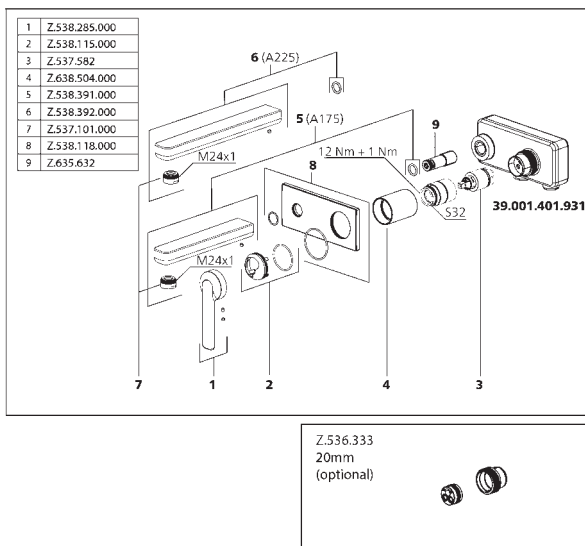
DOMO 6.0 Trim kit - Lever mixer - Basin

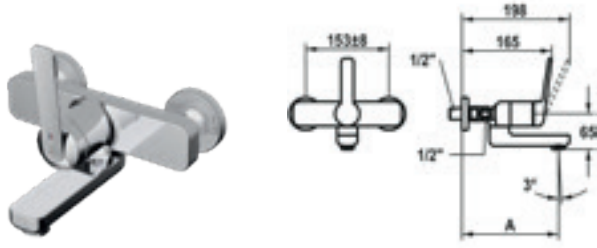
- Trim kit Lever mixer
- EcoProtect - water-saving device
- Fixed spout
 - Neoperl® Cascade® SLC
- OptimalSpace - ample space for washing or working
- KWC cartridge M 35 H
 - with ceramic discs
 - flow rate and temperature continuously variable
- To be ordered separately:
 - Unit for concealed installation 1/2" 39.001.401.931
- To be ordered separately (optional or if necessary):
 - Extension set 20 mm Z.536.333

BEVO Concealed unit

- Concealed unit wall two hole
- Connecting thread 1/2"
- To be ordered separately:
 - Installation kit Z.536.828
- Suitable for:
 - KWC BEVO
 - KWC DOMO 6.0
 - KWC ELLA
 - KWC MANA

Flow rate 5 l/min (3 bar)
Acoustic group I





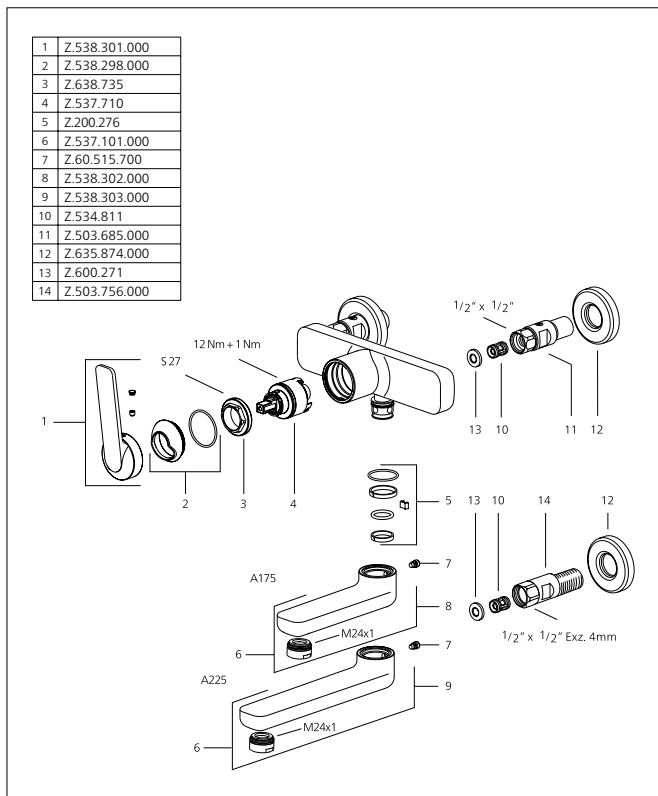
SAP Number	Article Number
chromeline, AD 153 +/- 8 mm, A 175 124895	11.662.202.000
chromeline, AD 153 +/- 8 mm, A 225 124896	11.662.203.000

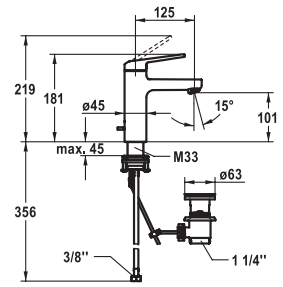
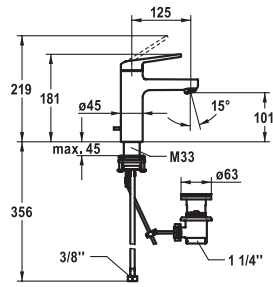
DOMO 6.0 Lever mixer - Basin

- Lever mixer
- EcoProtect - water-saving device
- Swivel spout 90°
- adjustable with screw
- Neoperl® Cascade® SLC
- OptimalSpace - ample space for washing or working
- KWC cartridge M 35 OP
- with ceramic discs
- flow rate and temperature continuously variable
- temperature limitation
- Wall connections 1/2" x 1/2",
without shut-off valve L 40 eccentric 4 mm

Flow rate 4 l/min (3 bar)
Acoustic group I

Faucets for the bathroom





SAP Number	Article Number
chromeline, A 125, flexible connection hoses, with pop-up valve	
124546	12.668.041.000FL

chromeline, A 125, flexible connection hoses, without pop-up valve	
124547	12.668.051.000FL

DOMO 6.0 Lever mixer - Basin

- Lever mixer
- EcoProtect - water-saving device
- Fixed spout
 - Neoperl® Cascade® SLC
- KWC cartridge M 35 OP
 - with ceramic discs
 - flow rate and temperature continuously variable
 - temperature limitation
- Flexible connection hoses 3/8"
- QuickInstallation -
 - Fastening via threaded connection with locking screws
- Mounting hole size $\varnothing 35$ mm
- Scope of delivery:
 - KWC pop-up valve Z.538.581.000

Flow rate 4 l/min (3 bar)
Acoustic group I



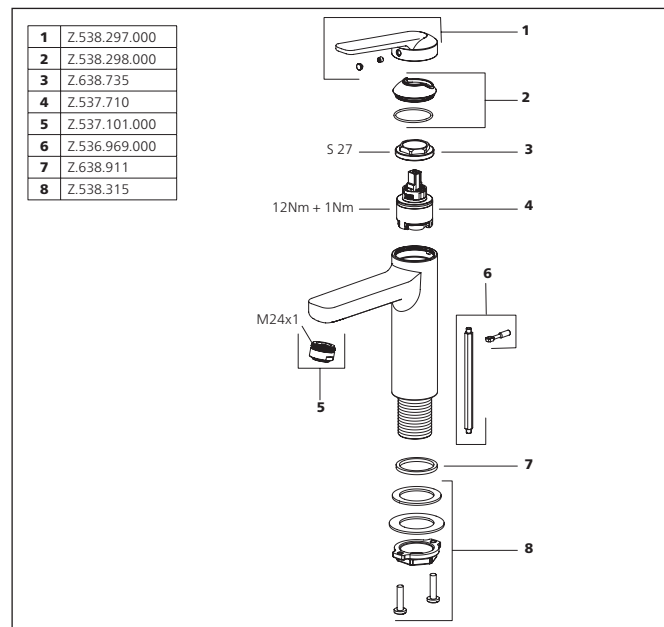
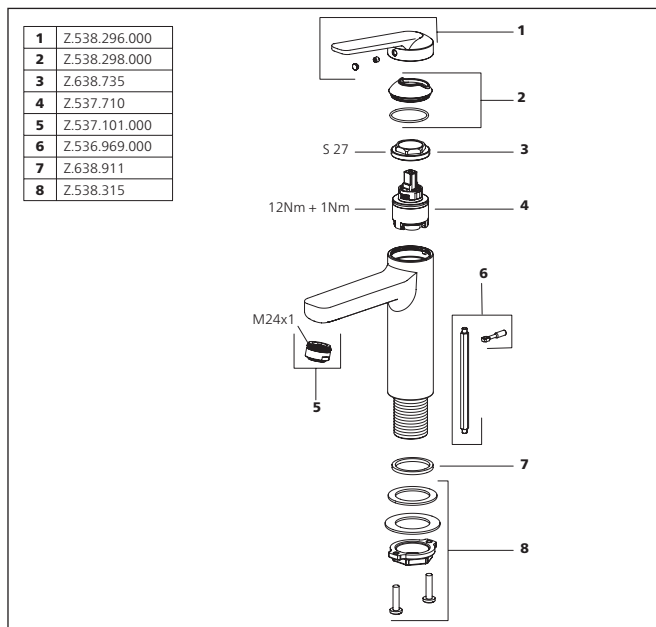
SAP Number	Article Number
chromeline, A 125, flexible connection hoses, with pop-up valve	
124548	12.668.031.000FL

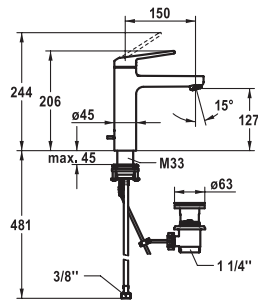
chromeline, A 125, flexible connection hoses, without pop-up valve	
124549	12.668.071.000FL

DOMO 6.0 Lever mixer - Basin - CoolFix

- Lever mixer
- CoolFix - Cold water flow with a centered lever
- EcoProtect - water-saving device
- Fixed spout
 - Neoperl® Cascade® SLC
- KWC cartridge M 35 OP
 - with ceramic discs
 - flow rate and temperature continuously variable
 - temperature limitation
- Flexible connection hoses 3/8"
- QuickInstallation -
 - Fastening via threaded connection with locking screws
- Mounting hole size $\varnothing 35$ mm
- Scope of delivery:
 - KWC pop-up valve Z.538.581.000

Flow rate 4 l/min (3 bar)
Acoustic group I





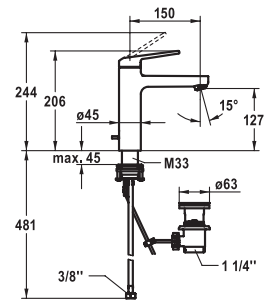
SAP Number	Article Number
chromeline, A 150, flexible connection hoses, with pop-up valve	
124552	12.668.042.000FL

chromeline, A 150, flexible connection hoses, without pop-up valve	
124553	12.668.052.000FL

DOMO 6.0 Lever mixer - Basin

- Lever mixer
- EcoProtect - water-saving device
- Fixed spout
 - Neoperl® Cascade® SLC
- OptimalSpace - ample space for washing or working
- KWC cartridge M 35 OP
 - with ceramic discs
 - flow rate and temperature continuously variable
 - temperature limitation
- Flexible connection hoses 3/8"
- QuickInstallation -
 - Fastening via threaded connection with locking screws
- Mounting hole size ø35 mm
- Scope of delivery:
 - KWC pop-up valve Z.538.581.000

Flow rate 4 l/min (3 bar)
Acoustic group I



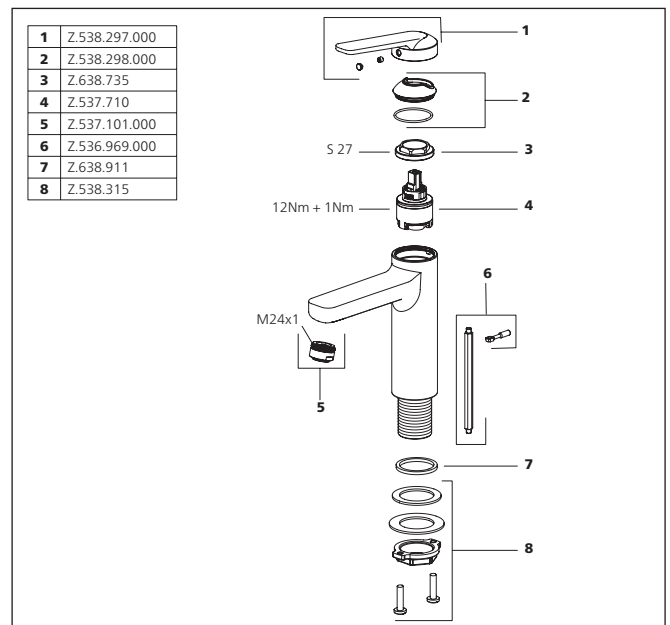
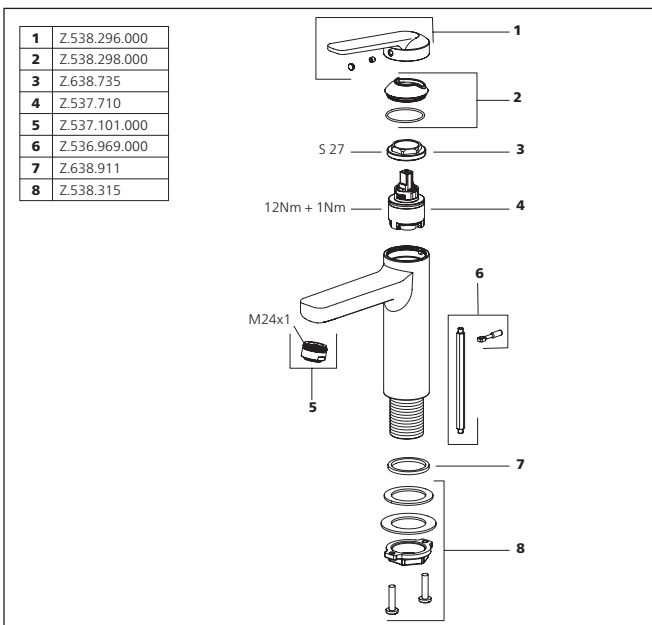
SAP Number	Article Number
chromeline, A 150, flexible connection hoses, with pop-up valve	
124554	12.668.032.000FL

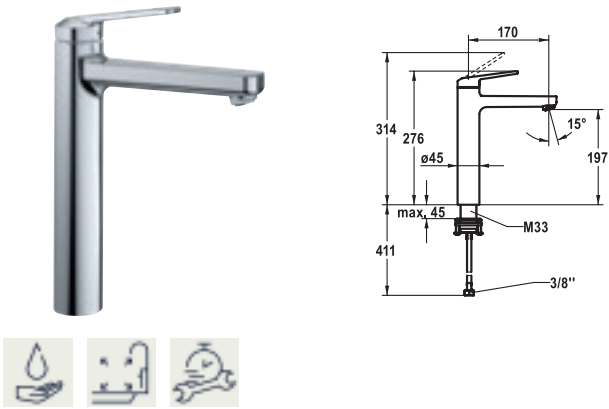
chromeline, A 150, flexible connection hoses, without pop-up valve	
124555	12.668.072.000FL

DOMO 6.0 Lever mixer - Basin - CoolFix

- Lever mixer
- CoolFix - Cold water flow with a centered lever
- EcoProtect - water-saving device
- Fixed spout
 - Neoperl® Cascade® SLC
- OptimalSpace - ample space for washing or working
- KWC cartridge M 35 OP
 - with ceramic discs
 - flow rate and temperature continuously variable
 - temperature limitation
- Flexible connection hoses 3/8"
- QuickInstallation -
 - Fastening via threaded connection with locking screws
- Mounting hole size ø35 mm
- Scope of delivery:
 - KWC pop-up valve Z.538.581.000

Flow rate 4 l/min (3 bar)
Acoustic group I



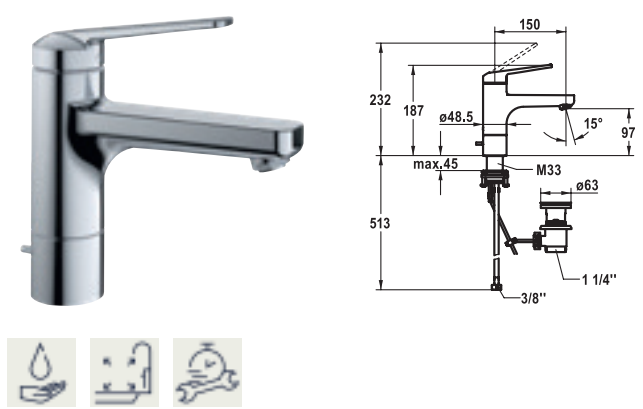


SAP Number	Article Number
chromeline, A 170, flexible connection hoses, without pop-up valve	
124567	12.668.373.000FL

DOMO 6.0 Lever mixer - Basin

- Lever mixer
- For top-mounted basins
- EcoProtect - water-saving device
- Fixed spout
- Neoperl® Cascade® SLC
- OptimalSpace - ample space for washing or working
- KWC cartridge M 35 OP
- with ceramic discs
- flow rate and temperature continuously variable
- temperature limitation
- Flexible connection hoses 3/8"
- QuickInstallation -
- Fastening via threaded connection with locking screws
- Mounting hole size ø35 mm

Flow rate 4 l/min (3 bar)
Acoustic group I



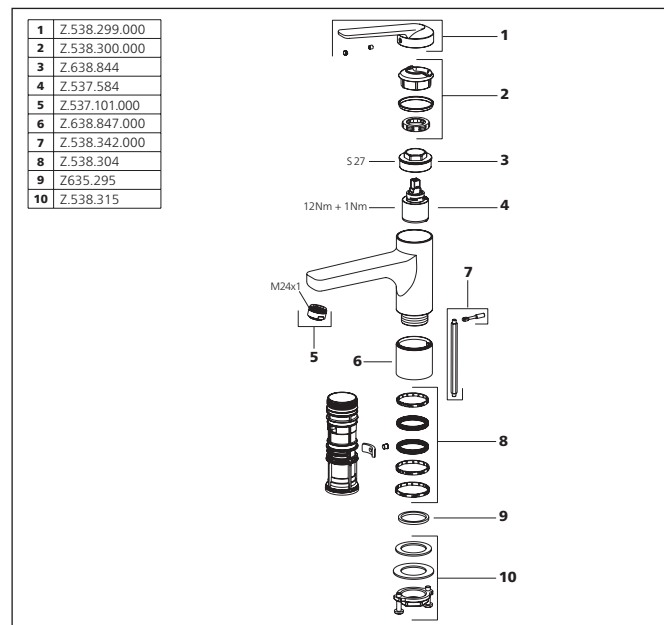
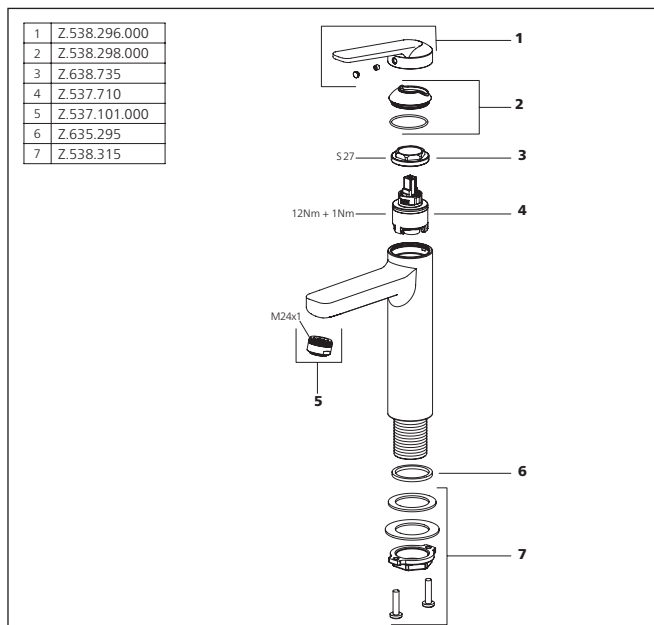
SAP Number	Article Number
chromeline, A 150, flexible connection hoses, with pop-up valve	
124561	12.668.011.000FL

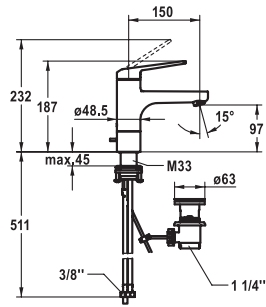
chromeline, A 150, flexible connection hoses, without pop-up valve

DOMO 6.0 Lever mixer - Basin

- Lever mixer
- EcoProtect - water-saving device
- Swivel spout 90°
- Neoperl® Cascade® SLC
- OptimalSpace - ample space for washing or working
- KWC cartridge M 35 S
- with ceramic discs
- flow rate and temperature continuously variable
- temperature limitation
- Flexible connection hoses 3/8"
- QuickInstallation -
- Fastening via threaded connection with locking screws
- Mounting hole size ø35 mm
- Scope of delivery:
- KWC pop-up valve Z.538.581.000

Flow rate 5 l/min (3 bar)
Acoustic group I





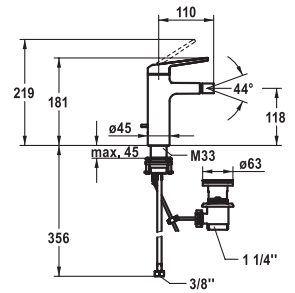
SAP Number	Article Number
chromeline, A 150, flexible connection hoses, with pop-up valve	
124564	12.665.011.000FL

chromeline, A 150, flexible connection hoses, without pop-up valve	
124565	12.665.021.000FL

DOMO 6.0 Lever mixer - Basin - Low pressure

- Lever mixer
- EcoProtect - water-saving device
- Swivel spout 90°
 - Jet regulator
- OptimalSpace - ample space for washing or working
- KWC cartridge M 35 S
 - with ceramic discs
 - flow rate and temperature continuously variable
 - temperature limitation
- Flexible connection hoses 3/8"
- QuickInstallation -
 - Fastening via threaded connection with locking screws
- Mounting hole size ø35 mm
- Scope of delivery:
 - KWC pop-up valve Z.538.581.000

Acoustic group I

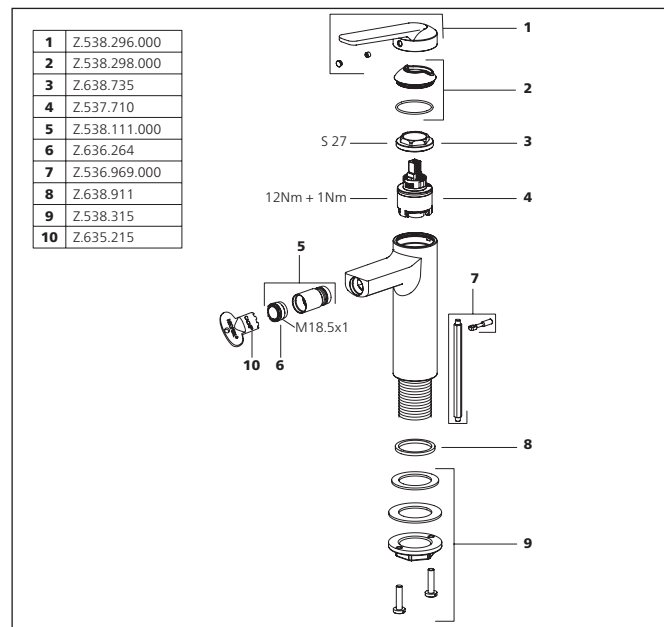
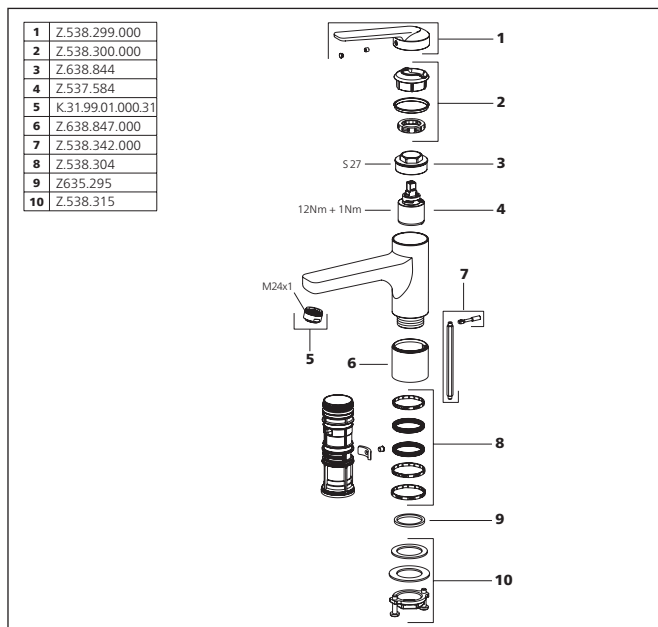


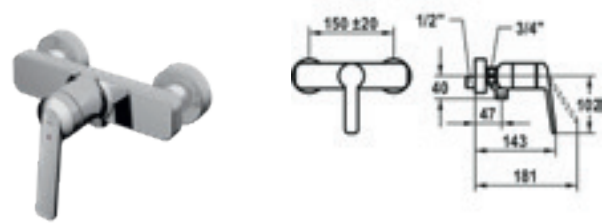
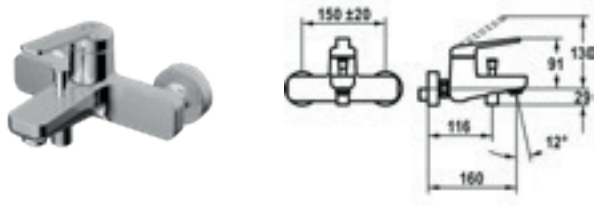
SAP Number	Article Number
chromeline, A 110, flexible connection hoses, with pop-up valve	
124569	13.661.041.000FL

DOMO 6.0 Lever mixer - Bidet

- Lever mixer
- EcoProtect - water-saving device
- Fixed spout
 - ball joint aerator Neoperl® Caché®
- KWC cartridge M 35 OP
 - with ceramic discs
 - flow rate and temperature continuously variable
 - temperature limitation
- Flexible connection hoses 3/8"
- QuickInstallation -
 - Fastening via threaded connection with locking screws
- Mounting hole size ø35 mm
- Scope of delivery:
 - KWC pop-up valve Z.538.581.000

Flow rate 4 l/min (3 bar)
Acoustic group I





SAP Number	Article Number
chromeline, AD 150±20 mm mm, A 160, without hand shower, hose and bracket	
124582	20.662.333.000

SAP Number	Article Number
chromeline, AD 150±20 mm mm, without hand shower and hose	
124577	21.662.330.000

DOMO 6.0 Lever mixer - Tub

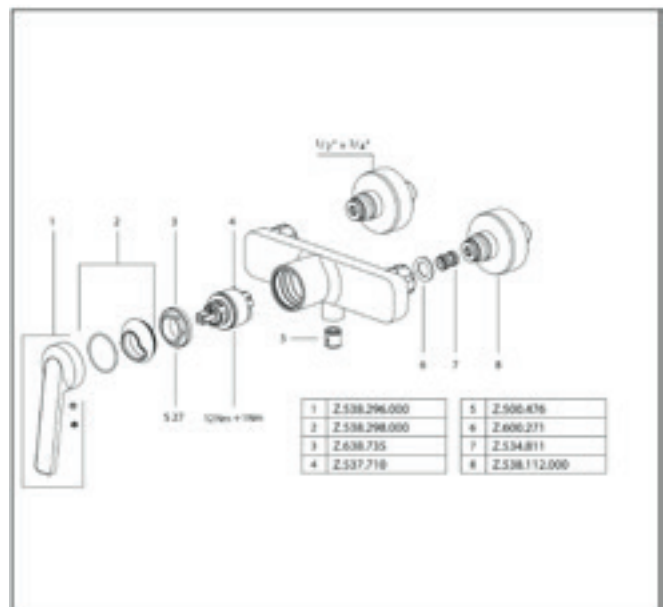
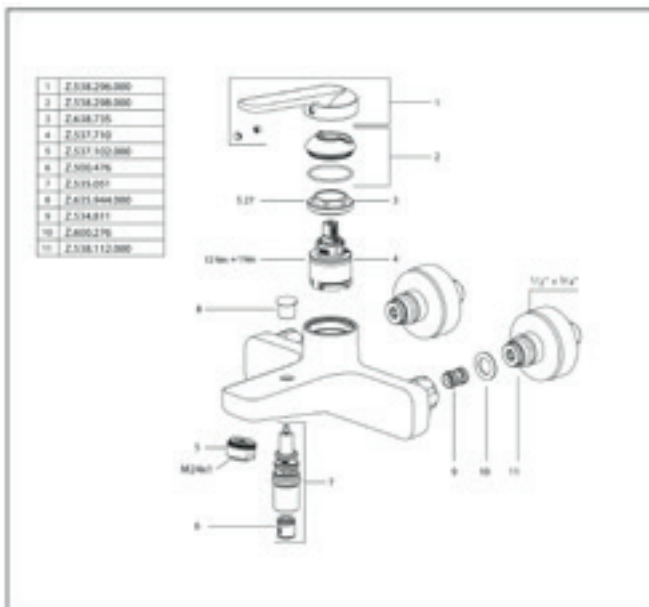
- Lever mixer
- Diverter with automatic reset
- Intrinsically safe against backflow
- Fixed spout
 - Neoperl® Cascade® SLC
- KWC cartridge M 35 OP
 - with ceramic discs
 - flow rate and temperature continuously variable
 - temperature limitation
- Wall connections 1/2" x 3/4", without shut-off valve eccentric 10 mm

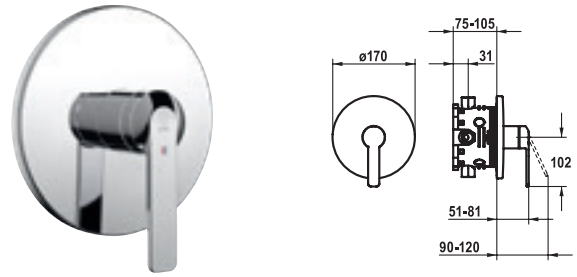
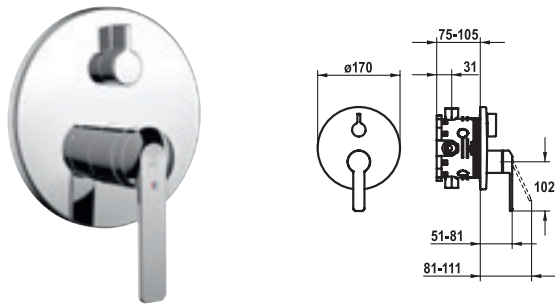
DOMO 6.0 Lever mixer - Shower

- Lever mixer
- Intrinsically safe against backflow
- KWC cartridge M 35 OP
 - with ceramic discs
 - flow rate and temperature continuously variable
 - temperature limitation
- Wall connections 1/2" x 3/4", without shut-off valve eccentric 10 mm

Spray outlet: Flow rate 12 l/min (3bar)
 Spray outlet: Acoustic group I

Flow rate 20 l/min (3 bar)
 Acoustic group II
 Spray outlet: Flow rate 12 l/min (3bar)
 Spray outlet: Acoustic group I





SAP Number	Article Number
chromeline, Trim kit 124588	20.664.500.000
chromeline, Trim kit, with vacuum breaker 124589	20.664.510.000

SAP Number	Article Number
chromeline, Trim kit 124587	21.664.500.000

DOMO 6.0 Trim kit - Lever mixer - Tub

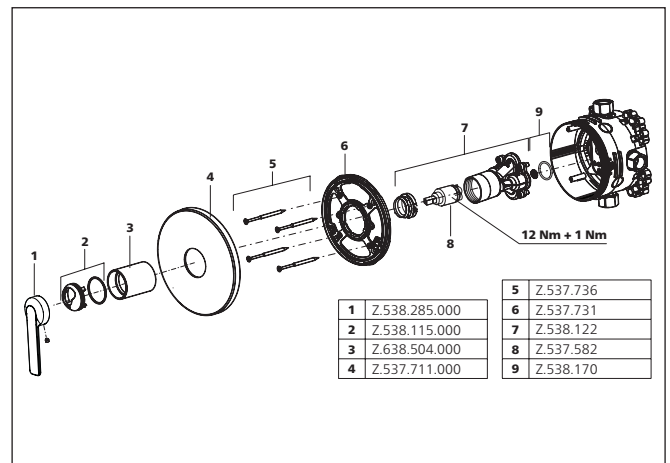
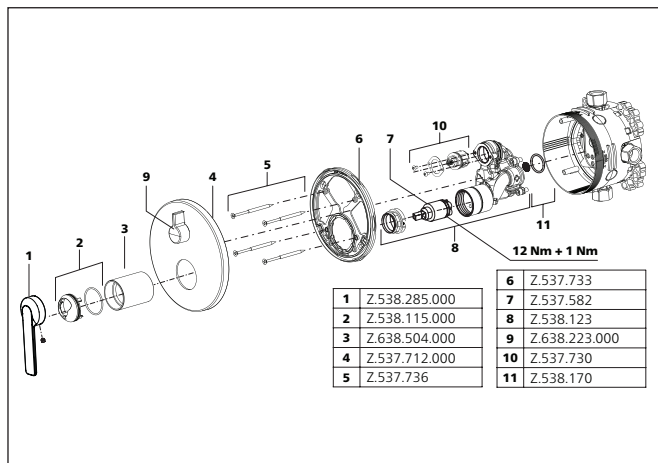
- Trim kit with function unit
- Outflow top and below
- Turning handle for diverter
- KWC cartridge M 35 H
 - with ceramic discs
 - flow rate and temperature continuously variable
- Scope of delivery:
 - Function unit, lever, cap, sleeve, cover plate, holder for escutcheon, diverter
 - Fastening of the cover plate without screws
- To be ordered separately:
 - Unit for concealed installation KWC BLUEBOX® ½", without shut-off valve, 39.999.900.931
 - ¾" (½"), with shut-off valve, 39.999.910.931

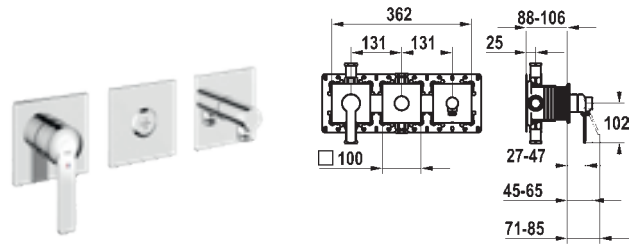
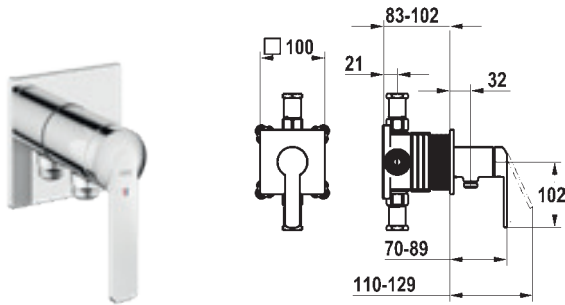
DOMO 6.0 Trim kit - Lever mixer - Shower

- Trim kit with function unit
- Outflow top or below
- KWC cartridge M 35 H
 - with ceramic discs
 - flow rate and temperature continuously variable
- Scope of delivery:
 - Function unit, lever, cap, sleeve, cover plate, holder for escutcheon
 - Fastening of the cover plate without screws
- To be ordered separately:
 - Unit for concealed installation KWC BLUEBOX® ½", without shut-off valve, 39.999.900.931
 - ¾" (½"), with shut-off valve, 39.999.910.931

Acoustic group I

Acoustic group I





SAP Number	Article Number
chromeline, trim kit, with safety device DIN EN 1717	
125290	21.664.550.000

Trim kit, with safety device DIN EN 1717 – Lever mixer – Shower

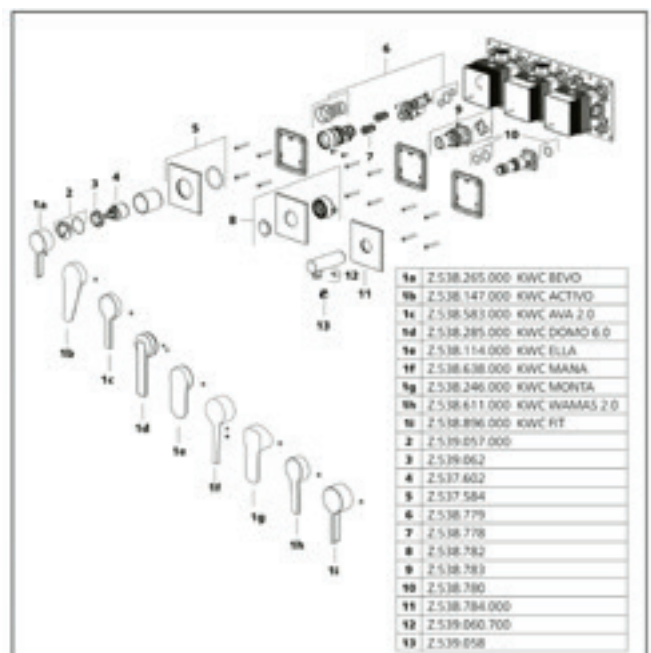
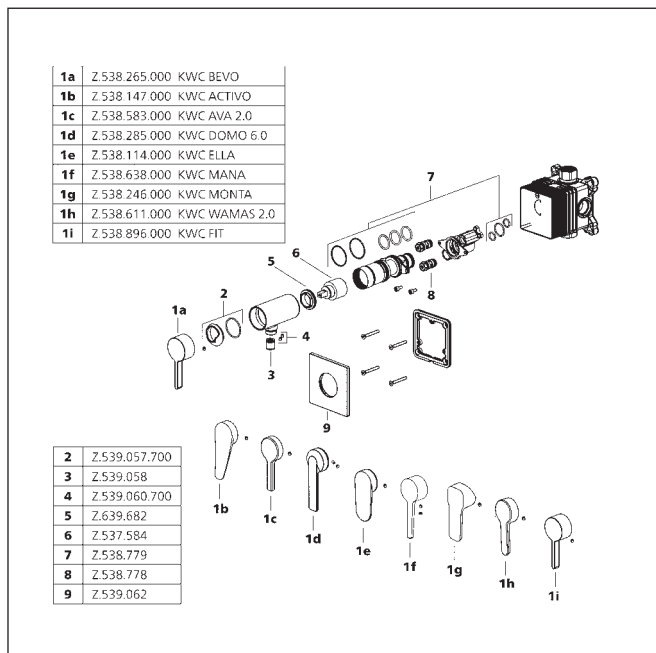
- Trim kit with function unit KWC HOMEBOX
- Outflow with integrated hose connection
- KWC cartridge M 35-S HF
 - with ceramic discs
 - flow rate and temperature continuously variable
- Scope of delivery:
 - Lever mixer unit with integrated hose connection
 - Fastening of the cover plate without screws
- To be ordered separately:
 - Unit for concealed installation KWC HOMEBOX
 - Lever mixer 1 Consumers 39.006.251.931

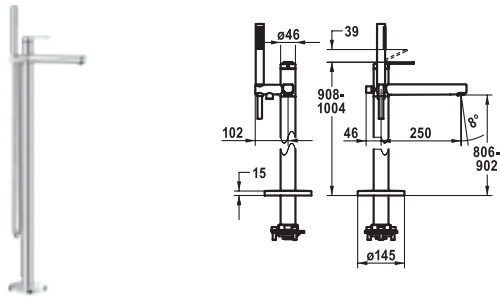
SAP Number	Article Number
chromeline, trim kit, with safety device DIN EN 1717	
125294	20.664.550.000

Trim kit, with safety device DIN EN 1717 – Lever mixer – Tub

- Trim kit with function unit KWC HOMEBOX
- Outflow with integrated hose connection above or below for the second consumer with CHOICE diverter without automatic reset
- KWC cartridge M 35-S HF
 - with ceramic discs
 - flow rate and temperature continuously variable
- Scope of delivery:
 - Lever mixer unit
 - Diverter unit
 - Hose connection unit
 - Fastening of the cover plate without screws
- To be ordered separately:
 - Unit for concealed installation KWC HOMEBOX Thermostatic/lever mixer 2 consumers 39.006.261.931

Acoustic group I





SAP Number	Article Number
chromeline, A 250, with hand shower and hose	
124792	20.661.094.000

DOMO 6.0 Lever mixer - Tub

- Lever mixer
- For freestanding tub
- Integrated check valve in the hose outlet
- with shower holder
- Fixed spout
 - Neoperl® Perlator® laminar
- KWC cartridge M 35 OP
 - with ceramic discs
 - flow rate and temperature continuously variable
 - temperature limitation
- Scope of delivery:
 - Hand shower KWC FIT-X slim 26.000.103.000
 - Shower hose 1500 mm, metal Z.538.415.000
- To be ordered separately:
 - Unit for concealed installation 39.000.602.931

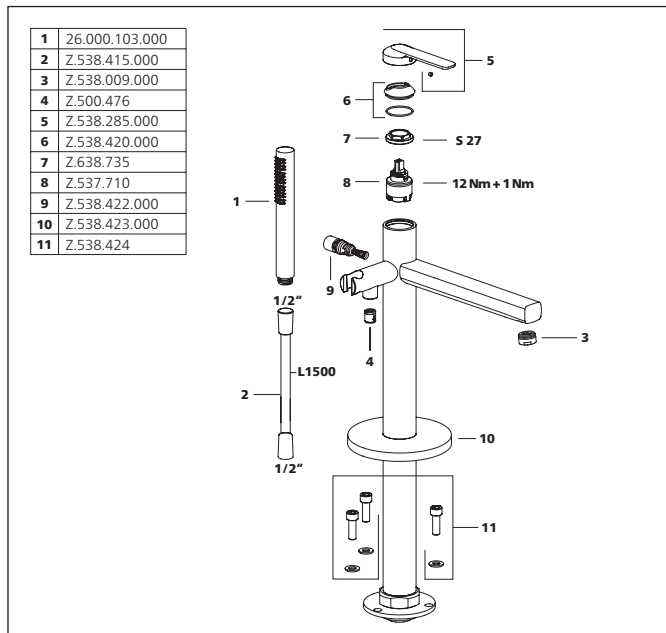
Flow rate 21 l/min (3 bar)

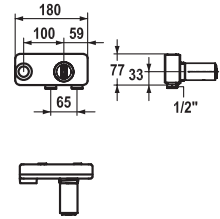
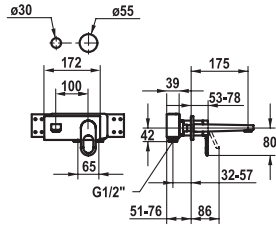
Acoustic group II

Spray outlet: Flow rate 12 l/min (3bar)

Spray outlet: Acoustic group I

Faucets for the bathroom





SAP Number	Article Number
chromeline, A 175, Trim kit 124290	11.382.033.000
chromeline, A 225, Trim kit 124291	11.382.034.000

SAP Number	Article Number
931 roh, Concealed unit 124315	39.001.401.931

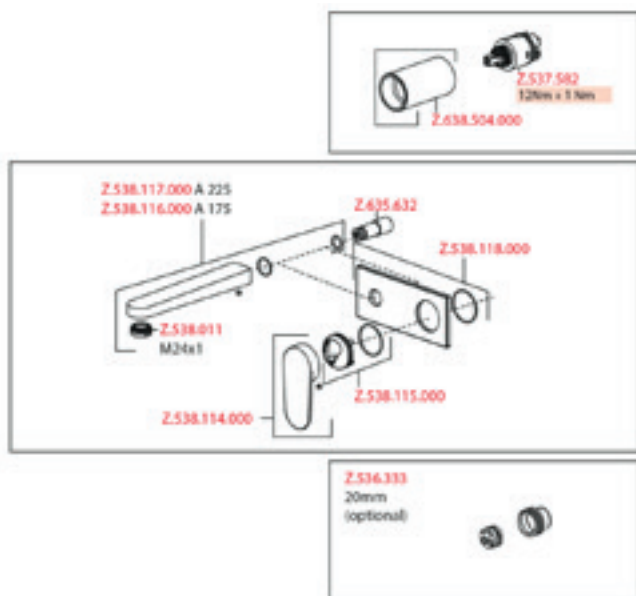
ELLA Trim kit - Lever mixer - Basin

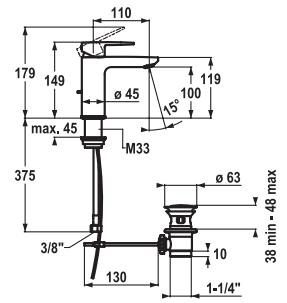
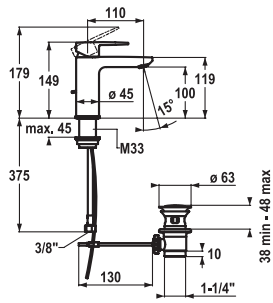
- Trim kit Lever mixer
- Fixed spout
 - Neoperl® Perlator® Shorty
- OptimalSpace - ample space for washing or working
- KWC cartridge M 35 H
 - with ceramic discs
 - flow rate and temperature continuously variable
- To be ordered separately:
 - Unit for concealed installation 1/2" 39.001.401.931
- To be ordered separately (optional or if necessary):
 - Extension set 20 mm Z.536.333

BEVO Concealed unit

- Concealed unit wall two hole
- Connecting thread 1/2"
- To be ordered separately:
 - Installation kit Z.536.828
- Suitable for:
 - KWC BEVO
 - KWC DOMO 6.0
 - KWC ELLA
 - KWC MANA

Flow rate 5 l/min (3 bar)
Acoustic group I





SAP Number	Article Number
chromeline, A 110, flexible connection hoses, with pop-up valve 124292	12.381.041.000FL

chromeline, A 110, flexible connection hoses, without pop-up valve 124293	12.381.051.000FL
---	------------------

ELLA Lever mixer - Basin

- Lever mixer
- EcoProtect - water-saving device
- Fixed spout
- KWC cartridge M 35 OP
 - Neoperl® Perlator® Shorty
 - with ceramic discs
 - flow rate and temperature continuously variable
 - temperature limitation
- Flexible connection hoses 3/8"
- Fastening by means of threaded sleeve M33 x 1.5
- Mounting hole size ø35 mm

Flow rate 5 l/min (3 bar)
Acoustic group I



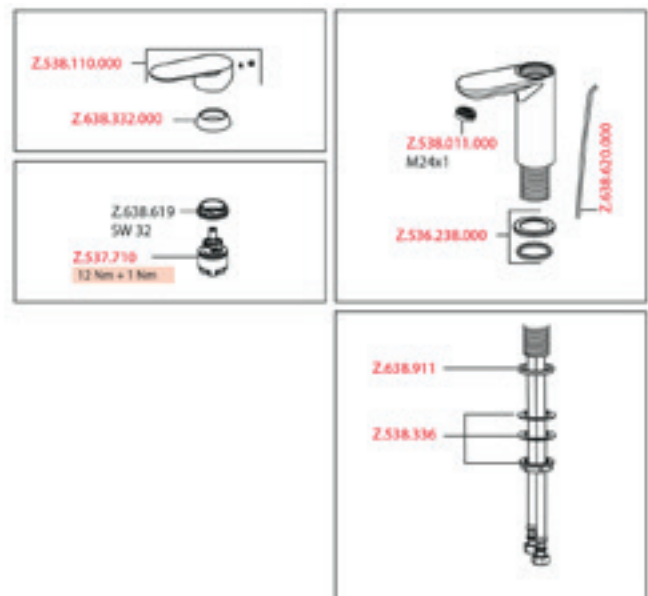
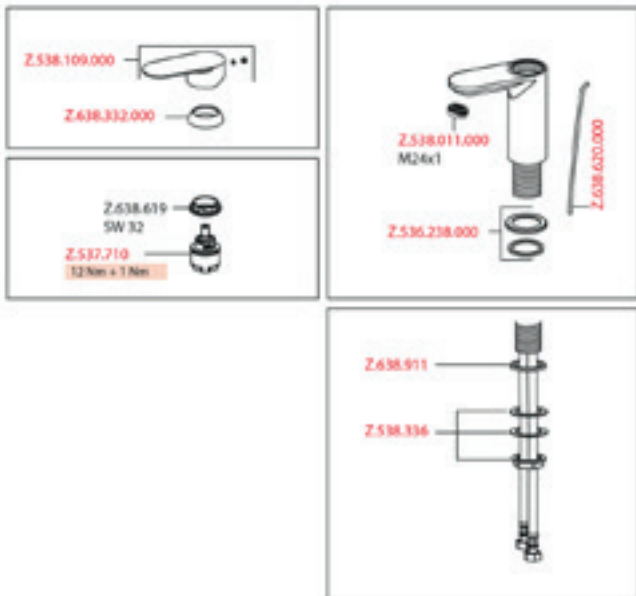
SAP Number	Article Number
chromeline, A 110, flexible connection hoses, with pop-up valve 124294	12.381.031.000FL

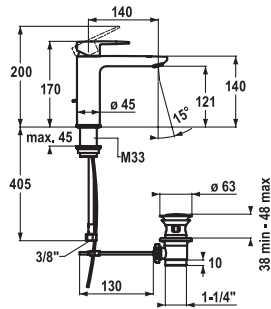
chromeline, A 110, flexible connection hoses, without pop-up valve 124295	12.381.071.000FL
---	------------------

ELLA Lever mixer - Basin - CoolFix

- Lever mixer
- CoolFix - Cold water flow with a centered lever
- EcoProtect - water-saving device
- Fixed spout
- KWC cartridge M 35 OP
 - Neoperl® Perlator® Shorty
 - with ceramic discs
 - flow rate and temperature continuously variable
 - temperature limitation
- Flexible connection hoses 3/8"
- Fastening by means of threaded sleeve M33 x 1.5
- Mounting hole size ø35 mm

Flow rate 5 l/min (3 bar)
Acoustic group I



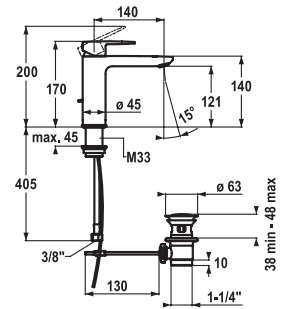


SAP Number	Article Number
chromeline, A 140, flexible connection hoses, with pop-up valve 124642	12.381.043.000FL
chromeline, A 140, flexible connection hoses, without pop-up valve 124643	12.381.053.000FL

ELLA Lever mixer - Basin

- Lever mixer
- EcoProtect - water-saving device
- Fixed spout
- Neoperl® Perlator® Shorty
- OptimalSpace - ample space for washing or working
- KWC cartridge M 35 OP
- with ceramic discs
- flow rate and temperature continuously variable
- temperature limitation
- Flexible connection hoses 3/8"
- Fastening by means of threaded sleeve M33 x 1.5
- Mounting hole size ø35 mm

Flow rate 5 l/min (3 bar)
Acoustic group I

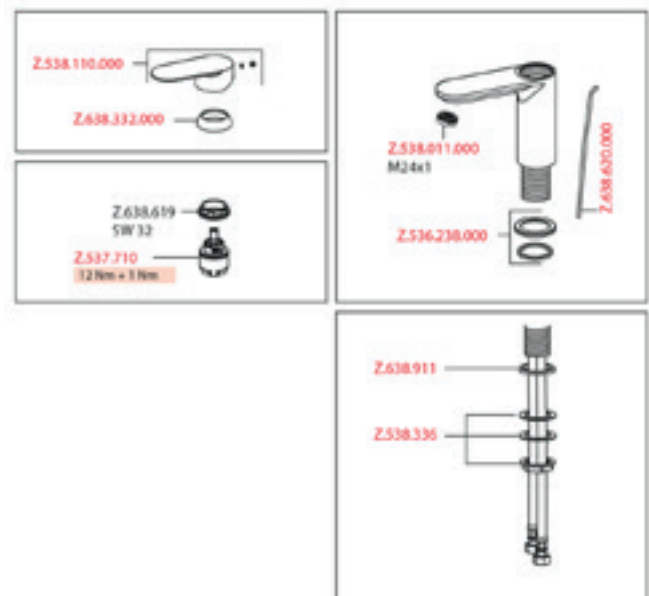
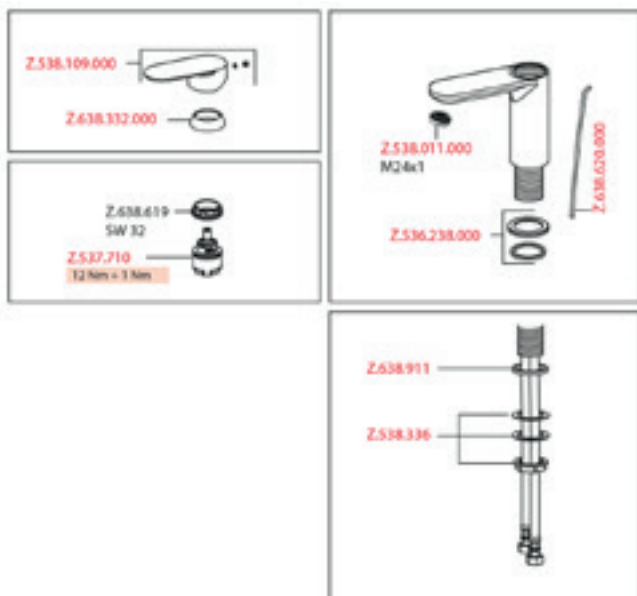


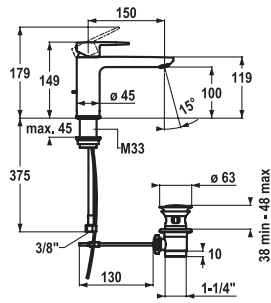
SAP Number	Article Number
chromeline, A 140, flexible connection hoses, with pop-up valve 124644	12.381.033.000FL
chromeline, A 140, flexible connection hoses, without pop-up valve 124645	12.381.073.000FL

ELLA Lever mixer - Basin - CoolFix

- Lever mixer
- CoolFix - Cold water flow with a centered lever
- EcoProtect - water-saving device
- Fixed spout
- Neoperl® Perlator® Shorty
- OptimalSpace - ample space for washing or working
- KWC cartridge M 35 OP
- with ceramic discs
- flow rate and temperature continuously variable
- temperature limitation
- Flexible connection hoses 3/8"
- Fastening by means of threaded sleeve M33 x 1.5
- Mounting hole size ø35 mm

Flow rate 5 l/min (3 bar)
Acoustic group I





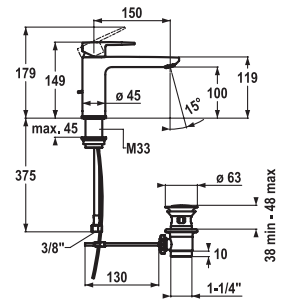
SAP Number	Article Number
chromeline, A 150, flexible connection hoses, with pop-up valve 124296	12.381.042.000FL

chromeline, A 150, flexible connection hoses, without pop-up valve 124297	12.381.052.000FL
---	------------------

ELLA Lever mixer

- Lever mixer
- EcoProtect - water-saving device
- Fixed spout
 - Neoperl® Perlator® Shorty
- OptimalSpace - ample space for washing or working
- KWC cartridge M 35 OP
 - with ceramic discs
 - flow rate and temperature continuously variable
 - temperature limitation
- Flexible connection hoses 3/8"
- Fastening by means of threaded sleeve M33 x 1.5
- Mounting hole size ø35 mm

Flow rate 5 l/min (3 bar)
Acoustic group I



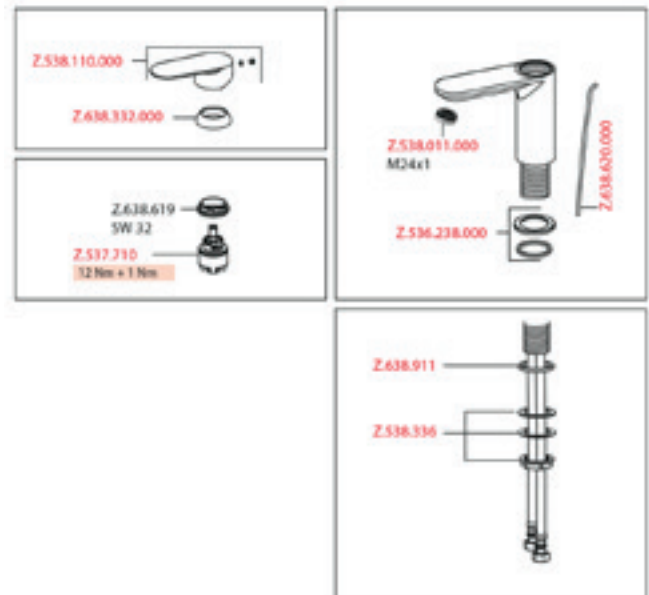
SAP Number	Article Number
chromeline, A 150, flexible connection hoses, with pop-up valve 124298	12.381.032.000FL

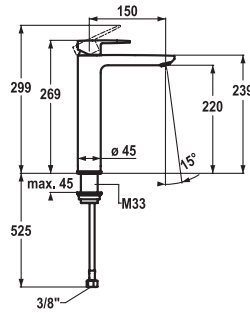
chromeline, A 150, flexible connection hoses, without pop-up valve 124299	12.381.072.000FL
---	------------------

ELLA Lever mixer - Basin - CoolFix

- Lever mixer
- CoolFix - Cold water flow with a centered lever
- EcoProtect - water-saving device
- Fixed spout
 - Neoperl® Perlator® Shorty
- OptimalSpace - ample space for washing or working
- KWC cartridge M 35 OP
 - with ceramic discs
 - flow rate and temperature continuously variable
 - temperature limitation
- Flexible connection hoses 3/8"
- Fastening by means of threaded sleeve M33 x 1.5
- Mounting hole size ø35 mm

Flow rate 5 l/min (3 bar)
Acoustic group I





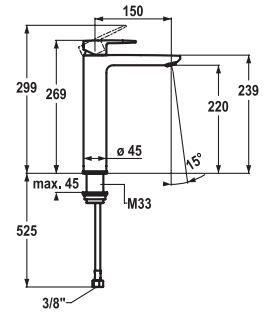
SAP Number **Article Number**

chromeline, A 150, flexible connection hoses, without pop-up valve
124300 12.381.092.000FL

ELLA Lever mixer - Basin

- Lever mixer
- For top-mounted basins
- EcoProtect - water-saving device
- Fixed spout
- Neoperl® Perlator® Shorty
- OptimalSpace - ample space for washing or working
- KWC cartridge M 35 OP
- with ceramic discs
- flow rate and temperature continuously variable
- temperature limitation
- Flexible connection hoses 3/8"
- Fastening by means of threaded sleeve M33 x 1.5
- Mounting hole size ø35 mm

Flow rate 5 l/min (3 bar)
 Acoustic group I



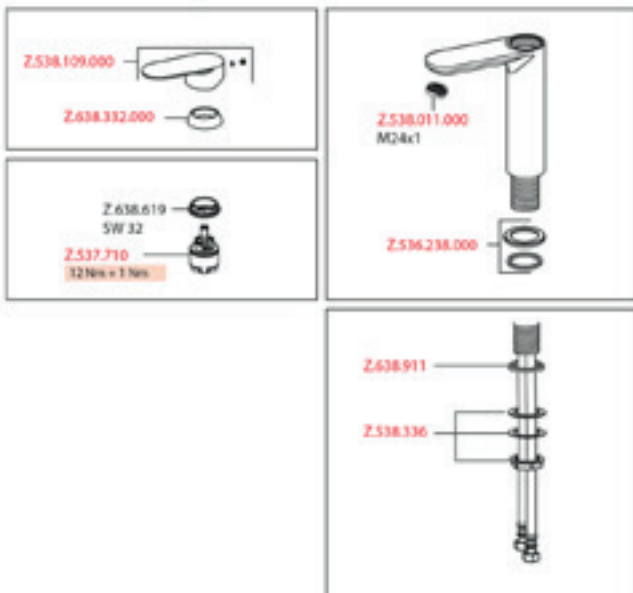
SAP Number **Article Number**

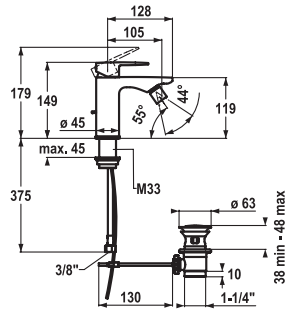
chromeline, A 150, flexible connection hoses, without pop-up valve
124301 12.381.102.000FL

ELLA Lever mixer - Basin - CoolFix

- Lever mixer
- For top-mounted basins
- CoolFix - Cold water flow with a centered lever
- EcoProtect - water-saving device
- Fixed spout
- Neoperl® Perlator® Shorty
- OptimalSpace - ample space for washing or working
- KWC cartridge M 35 OP
- with ceramic discs
- flow rate and temperature continuously variable
- temperature limitation
- Flexible connection hoses 3/8"
- Fastening by means of threaded sleeve M33 x 1.5
- Mounting hole size ø35 mm

Flow rate 5 l/min (3 bar)
 Acoustic group I





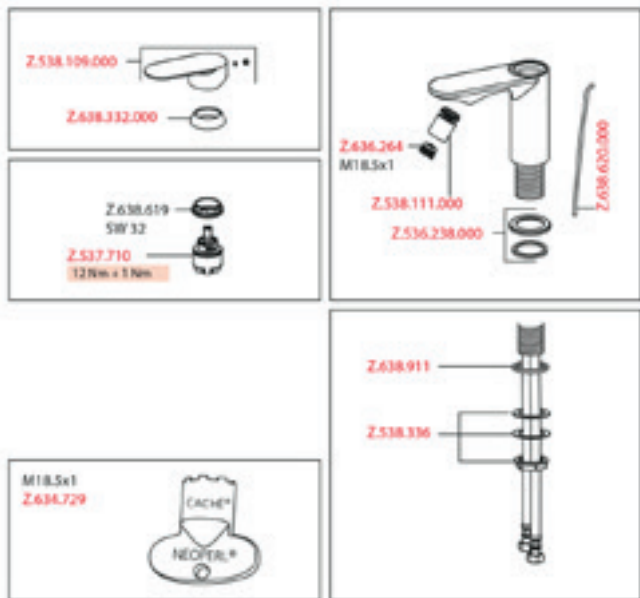
SAP Number	Article Number
chromeline, A 105, flexible connection hoses, with pop-up valve	
124302	13.381.041.000FL

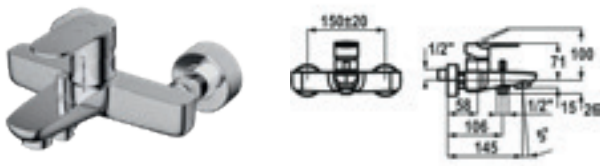
ELLA Lever mixer - Bidet

- Lever mixer
- EcoProtect - water-saving device
- Fixed spout
 - ball joint aerator Neoperl® Cascade®
- KWC cartridge M 35 OP
 - with ceramic discs
 - flow rate and temperature continuously variable
 - temperature limitation
- Flexible connection hoses 3/8"
- Fastening by means of threaded sleeve M33 x 1.5
- Mounting hole size ø35 mm

Flow rate 5 l/min (3 bar)
Acoustic group I

Faucets for the bathroom





SAP Number	Article Number
chromeline, AD 150±20 mm mm, A 145, without hand shower, hose and bracket	
124362	20.382.333.000

SAP Number	Article Number
chromeline, AD 150±20 mm mm, without hand shower and hose	
124359	21.382.330.000

ELLA Lever mixer - Tub

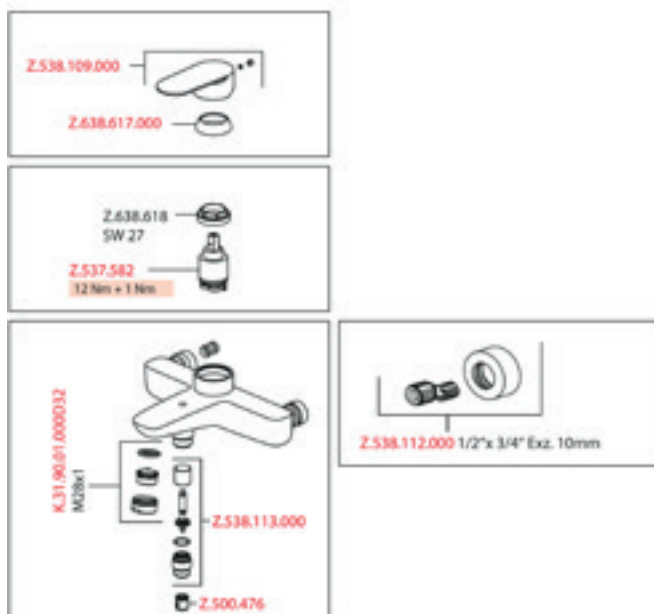
- Lever mixer
- Diverter with automatic reset
- Inherently safe against backflow
- Fixed spout
 - Neoperl® Cascade®
- KWC cartridge M 35 H
 - with ceramic discs
 - flow rate and temperature continuously variable
 - temperature limitation
- Wall connections 1/2" x 3/4", without shut-off valve eccentric 10 mm

ELLA Lever mixer - Shower

- Lever mixer
- Inherently safe against backflow
- KWC cartridge M 35 H
 - with ceramic discs
 - flow rate and temperature continuously variable
 - temperature limitation
- Wall connections 1/2" x 3/4", without shut-off valve eccentric 10 mm

Flow rate 20 l/min (3 bar)
 Acoustic group I
 Spray outlet: Flow rate 15 l/min (3bar)
 Spray outlet: Acoustic group I

Spray outlet: Flow rate 16 l/min (3bar)
 Spray outlet: Acoustic group I





SAP Number	Article Number
chromeline, AD 150±15 mm, A 190, without hand shower, hose and bracket	
124308	20.382.483.000

SAP Number	Article Number
chromeline, AD 150±15 mm, without hand shower and hose	
124305	21.382.480.000

ELLA Lever mixer - Tub

- Lever mixer
- TouchProtect - anti-scald protection thanks to the "double skin" principle
- Turning handle for diverter
- Intrinsically safe against backflow
- Fixed spout
 - Neoperl® Cascade®
- KWC cartridge M 35-S HF
 - with ceramic discs
 - flow rate and temperature continuously variable
 - temperature limitation
- Concealed Wall connections 1/2" x 3/4", without shut-off valve L 46 eccentric 7.5 mm

ELLA Lever mixer - Shower

- Lever mixer
- TouchProtect - anti-scald protection thanks to the "double skin" principle
- Intrinsically safe against backflow
- KWC cartridge M 35-S HF
 - with ceramic discs
 - flow rate and temperature continuously variable
 - temperature limitation
- Concealed Wall connections 1/2" x 3/4", without shut-off valve L 46 eccentric 7.5 mm

Flow rate 20 l/min (3 bar)

Acoustic group II

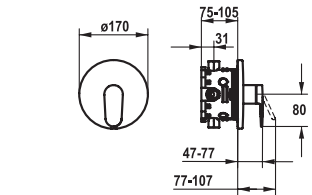
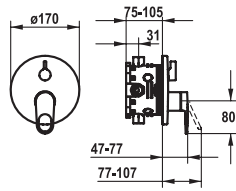
Spray outlet: Flow rate 12 l/min (3bar)

Acoustic group I

Spray outlet: Flow rate 12 l/min (3bar)

Faucets for the bathroom





SAP Number	Article Number
chromeline, Trim kit 124317	20.384.502.000
chromeline, Trim kit, with vacuum breaker 124318	20.384.512.000

SAP Number	Article Number
chromeline, Trim kit 124316	21.384.502.000

ELLA Trim kit with function unit

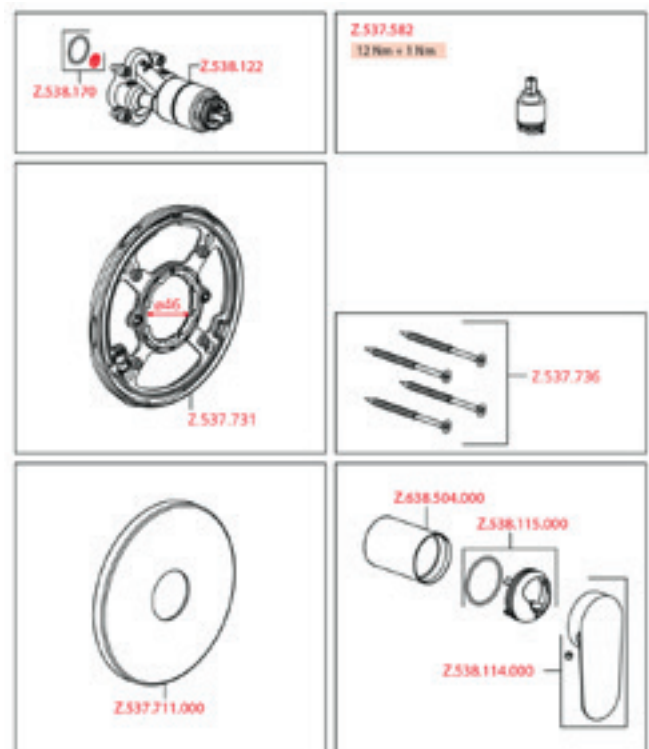
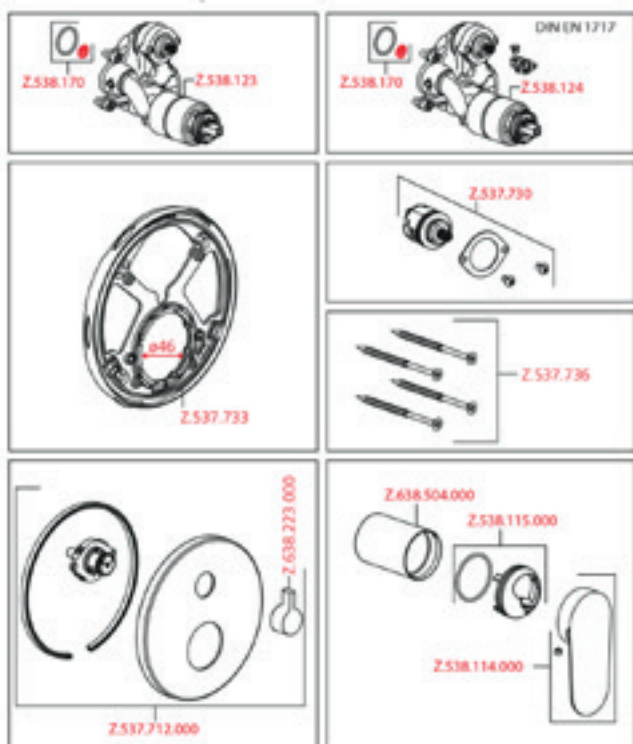
- Trim kit with function unit
- Outflow top or below
- Turning handle for diverter
- KWC cartridge M 35 H
 - with ceramic discs
 - flow rate and temperature continuously variable
- Scope of delivery:
 - Function unit, lever, cap, sleeve, cover plate, holder for escutcheon, diverter
 - Fastening of the cover plate without screws
- To be ordered separately:
 - Unit for concealed installation KWC BLUEBOX® ½", without shut-off valve, 39.999.900.931
 - ¾" (½"), with shut-off valve, 39.999.910.931

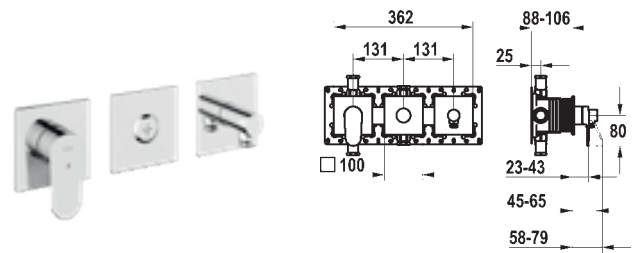
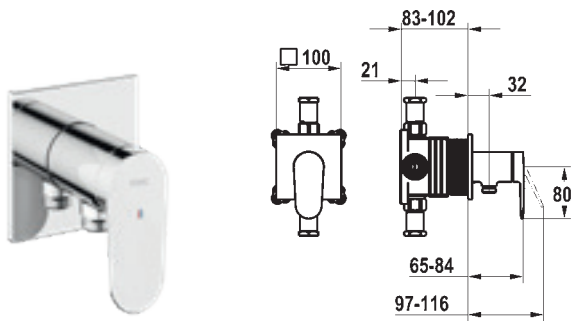
ELLA Trim kit - Lever mixer - Shower

- Trim kit with function unit
- Outflow top or below
- KWC cartridge M 35 H
 - with ceramic discs
 - flow rate and temperature continuously variable
- Scope of delivery:
 - Function unit, lever, cap, sleeve, cover plate, holder for escutcheon
 - Fastening of the cover plate without screws
- To be ordered separately:
 - Unit for concealed installation KWC BLUEBOX® ½", without shut-off valve, 39.999.900.931
 - ¾" (½"), with shut-off valve, 39.999.910.931

Acoustic group I

Acoustic group I





SAP Number	Article Number
chromeline, trim kit, with safety device DIN EN 1717	
125292	21.384.550.000

Trim kit, with safety device DIN EN 1717

- Lever mixer - Shower

- Trim kit with function unit KWC HOMEBOX
- Outflow with integrated hose connection above or below for the second consumer with CHOICE diverter without automatic reset
- KWC cartridge M 35-S HF
 - with ceramic discs
 - flow rate and temperature continuously variable
- Scope of delivery:
 - Lever mixer unit
 - Diverter unit
 - Hose connection unit
 - Fastening of the cover plate without screws
- To be ordered separately:
 - Unit for concealed installation KWC HOMEBOX Thermostatic/ lever mixer 2 consumers 39.006.261.931

SAP Number	Article Number
chromeline, trim kit, with safety device DIN EN 1717	
125296	20.384.550.000

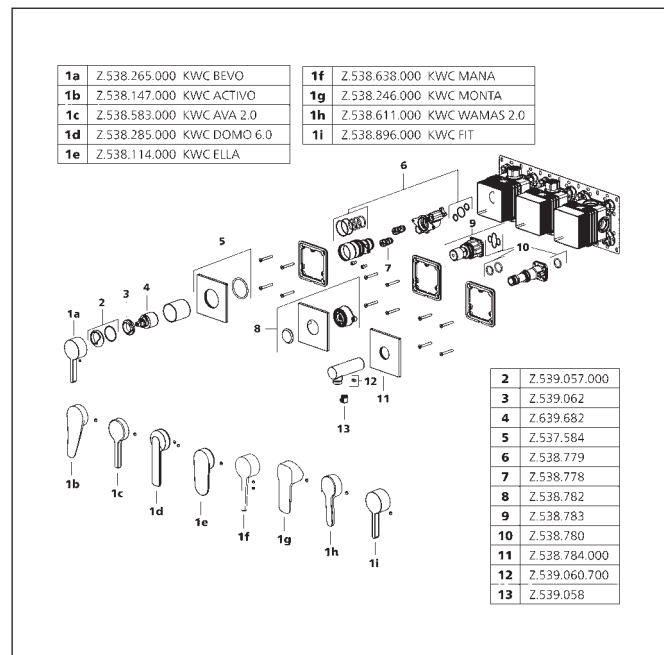
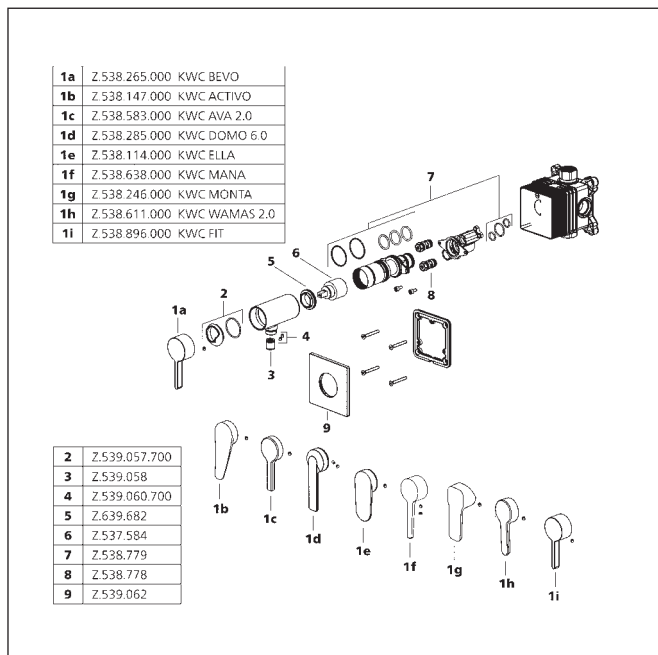
Trim kit, with safety device DIN EN 1717

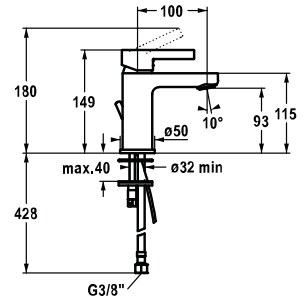
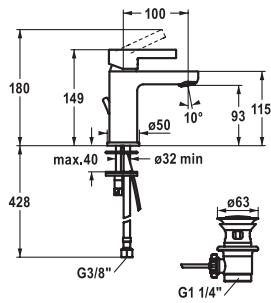
- Lever mixer - Tub

- Trim kit with function unit KWC HOMEBOX
- Outflow
 - with integrated hose connection above or below for the second consumer with CHOICE diverter without automatic reset
- KWC cartridge M 35-S HF
 - with ceramic discs
 - flow rate and temperature continuously variable
- Scope of delivery:
 - Lever mixer unit
 - Diverter unit
 - Hose connection unit
 - Fastening of the cover plate without screws
- To be ordered separately:
 - Unit for concealed installation KWC HOMEBOX Thermostatic/ lever mixer 2 consumers 39.006.261.931

Acoustic group I

Faucets for the bathroom





SAP Number	Article Number
chromeline, A 100, flexible connection hoses, with pop-up valve 125414	12.548.041.000FL
chromeline, A 100, flexible connection hoses, without pop-up valve 125415	12.548.051.000FL



SAP Number	Article Number
chromeline, A100, flexible connection hoses, without pop-up valve 125416	12.548.031.000FL

FIT Lever mixer - Basin

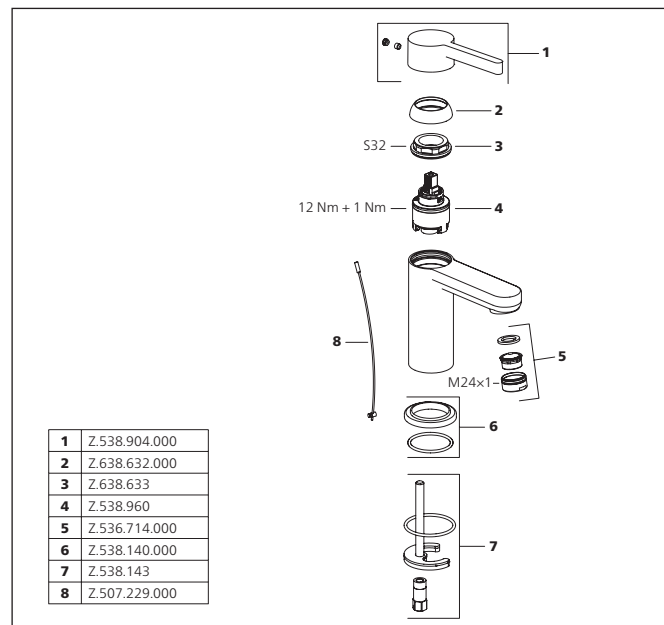
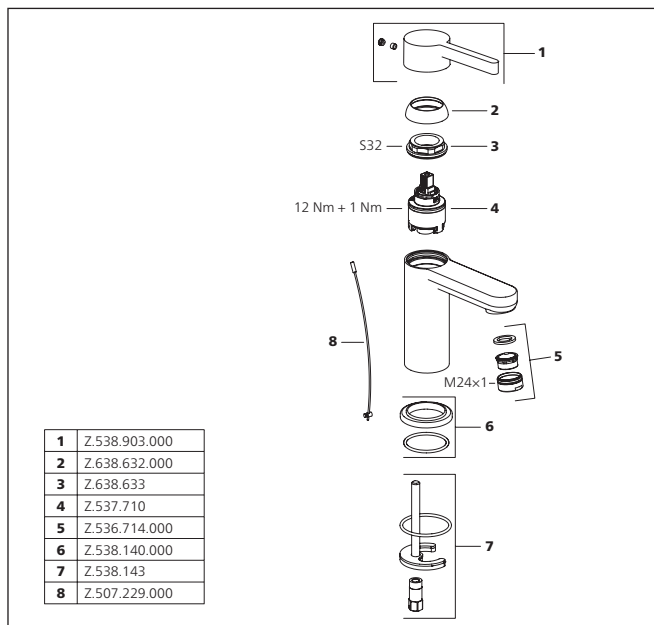
- Lever mixer
- EcoProtect - water-saving device
- Fixed spout
 - Neoperl® Perlator®
- KWC cartridge M 35 OP
 - with ceramic discs
 - flow rate and temperature continuously variable
 - temperature limitation
- Flexible connection hoses 3/8"
- Fastening by means of stud bolt M8 x 1
- Mounting hole size ø35 mm

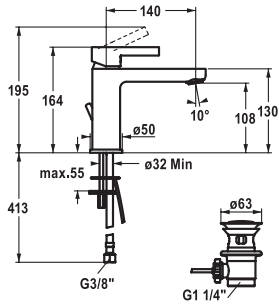
FIT Lever mixer - CoolFix

- Lever mixer
- CoolFix - Cold water flow with a centered lever
- EcoProtect - water-saving device
- Fixed spout
 - Neoperl® Perlator®
- KWC cartridge M 35 OP
 - with ceramic discs
 - flow rate and temperature continuously variable
 - temperature limitation
- Flexible connection hoses 3/8"
- Fastening by means of stud bolt M8 x 1
- Mounting hole size ø35 mm

Flow rate 5 l/min (3 bar)
Acoustic group I

Flow rate 5 l/min (3 bar)
Acoustic group I





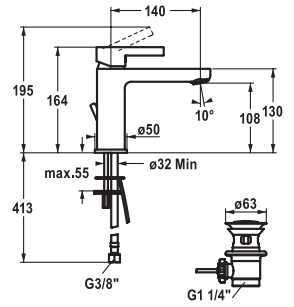
SAP Number	Article Number
chromeline, A 140, flexible connection hoses, with pop-up valve 125417	12.548.042.000FL

chromeline, A 140, flexible connection hoses, without pop-up valve 125418	12.548.052.000FL
---	------------------

FIT Lever mixer - Basin

- Lever mixer
- EcoProtect - water-saving device
- Fixed spout
- Neoperl® Perlator®
- OptimalSpace - ample space for washing or working
- KWC cartridge M 35 OP
- with ceramic discs
- flow rate and temperature continuously variable
- temperature limitation
- Flexible connection hoses 3/8"
- Fastening by means of stud bolt 2x M6 x 1
- Mounting hole size ø35 mm

Flow rate 5 l/min (3 bar)
Acoustic group I



SAP Number	Article Number
chromeline, A 140, flexible connection hoses, with pop-up valve 125419	12.548.032.000FL

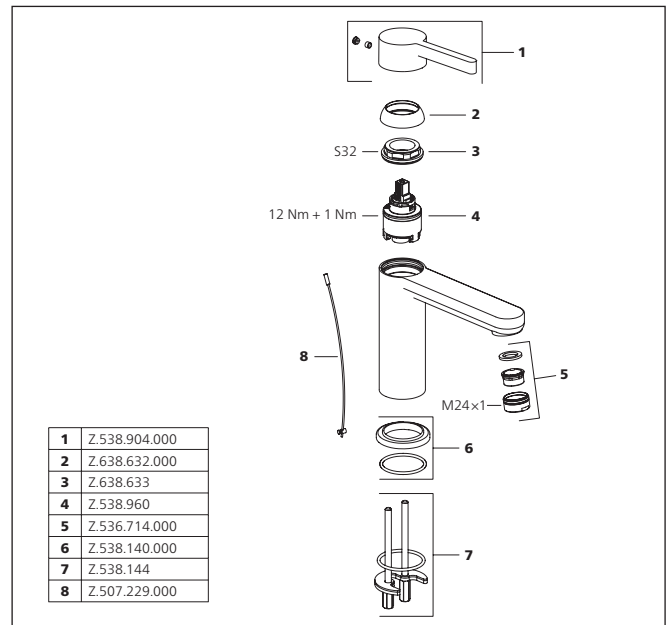
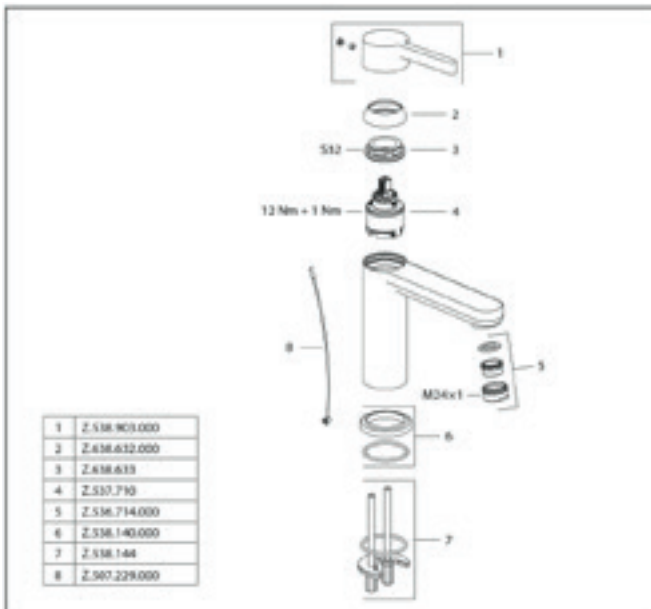
chromeline, A 140, flexible connection hoses, without pop-up valve 125420	12.548.072.000FL
---	------------------

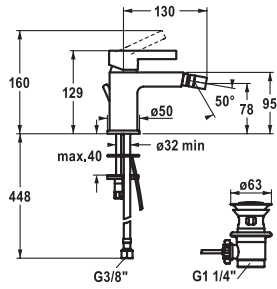
FIT Lever mixer - Basin - CoolFix

- Lever mixer
- CoolFix - Cold water flow with a centered lever
- EcoProtect - water-saving device
- Fixed spout
- Neoperl® Perlator®
- OptimalSpace - ample space for washing or working
- KWC cartridge M 35 OP
- with ceramic discs
- flow rate and temperature continuously variable
- temperature limitation
- Flexible connection hoses 3/8"
- Fastening by means of stud bolt 2x M6 x 1
- Mounting hole size ø35 mm

Flow rate 5 l/min (3 bar)
Acoustic group I

Faucets for the bathroom



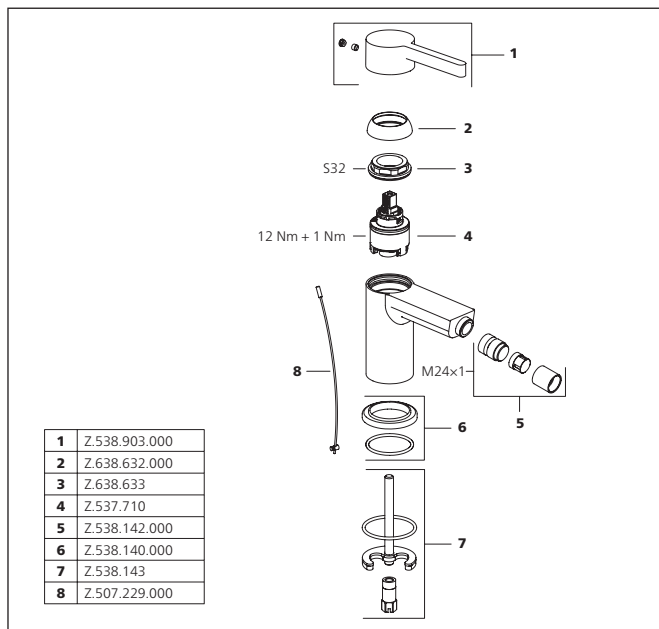


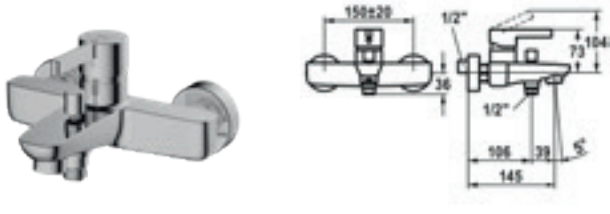
SAP Number	Article Number
chromeline, A 130, flexible connection hoses, with pop-up valve	
125421	13.541.041.000FL

FIT Lever mixer - Bidet

- Lever mixer
- Fixed spout
- ball joint aerator Neoperl® Perlator®
- KWC cartridge M 35 OP
 - with ceramic discs
 - flow rate and temperature continuously variable
 - temperature limitation
- Flexible connection hoses 3/8"
- Fastening by means of stud bolt M8 x 1
- Mounting hole size ø35 mm

Flow rate 5 l/min (3 bar)
Acoustic group I





SAP Number	Article Number
chromeline, AD 150±20 mm mm, A 145, without hand shower, hose and bracket	
125423	20.542.332.000

FIT Lever mixer - Tub

- Lever mixer
- Diverter with automatic reset
- Inherently safe against backflow
- Fixed spout
 - Neoperl® Perlator®
- KWC cartridge M 35 H
 - with ceramic discs
 - flow rate and temperature continuously variable
- Wall connections 1/2" x 3/4", without shut-off valve eccentric 10 mm

Flow rate 20 l/min (3 bar)

Acoustic group II

Spray outlet: Flow rate 16 l/min (3bar)

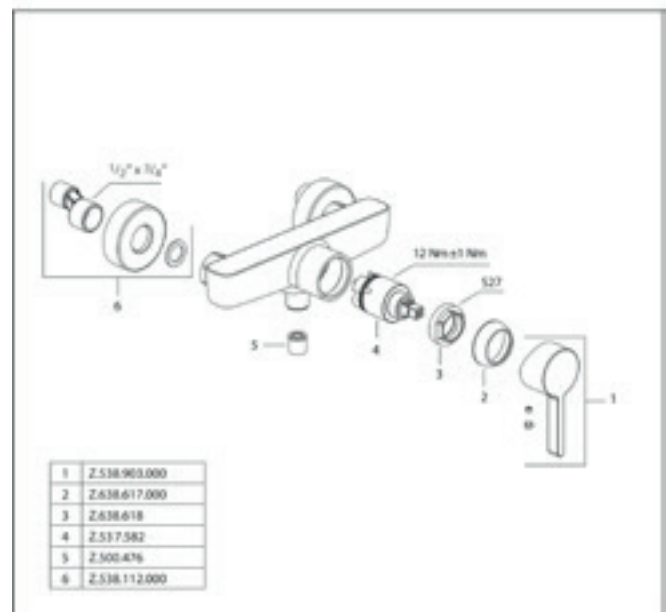
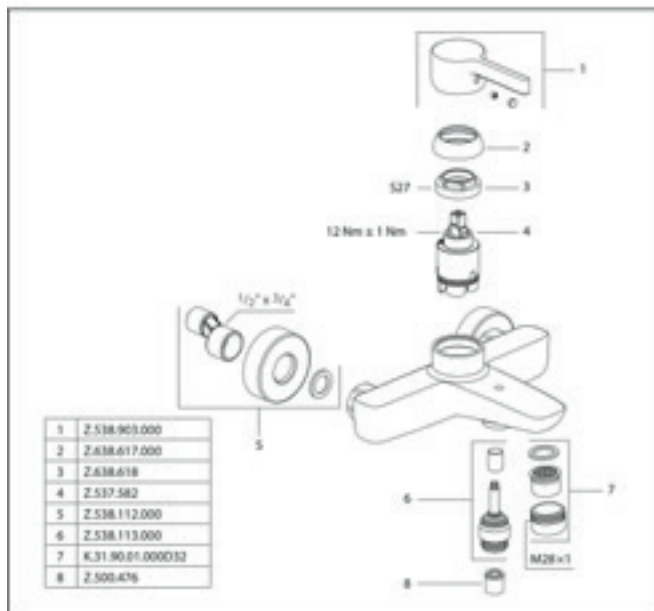
SAP Number	Article Number
chromeline, AD 150±20 mm mm, without hand shower and hose	
125425	21.542.330.000

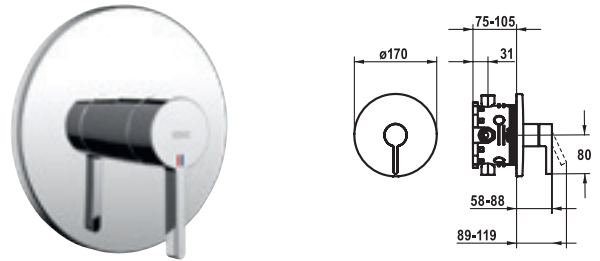
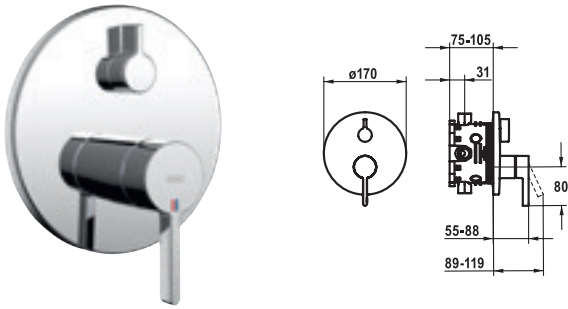
FIT Lever mixer - Shower

- Lever mixer
- Inherently safe against backflow
- KWC cartridge M 35 H
 - with ceramic discs
 - flow rate and temperature continuously variable
- Wall connections 1/2" x 3/4", without shut-off valve eccentric 10 mm

Acoustic group II

Spray outlet: Flow rate 16 l/min (3bar)





SAP Number	Article Number
chromeline, Trim kit 125426	20.544.502.000
chromeline, Trim kit, with vacuum breaker 125427	20.544.512.000

SAP Number	Article Number
chromeline, Trim kit 125428	21.544.502.000

FIT Trim kit - Lever mixer - Tub

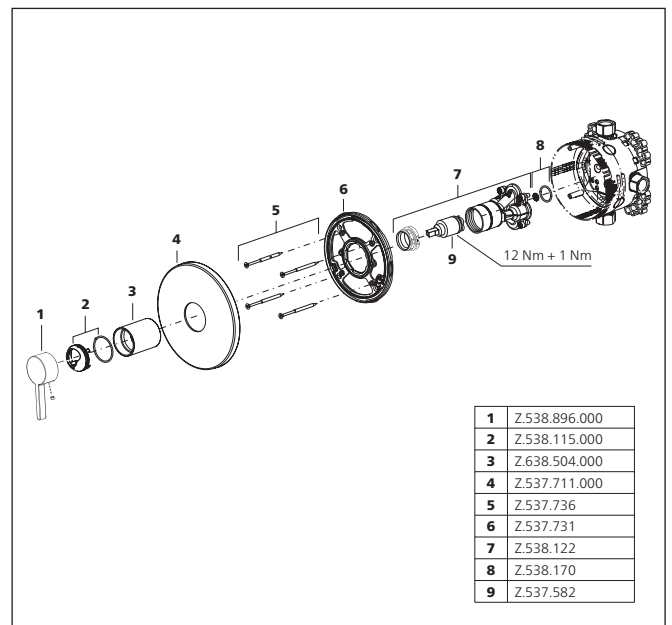
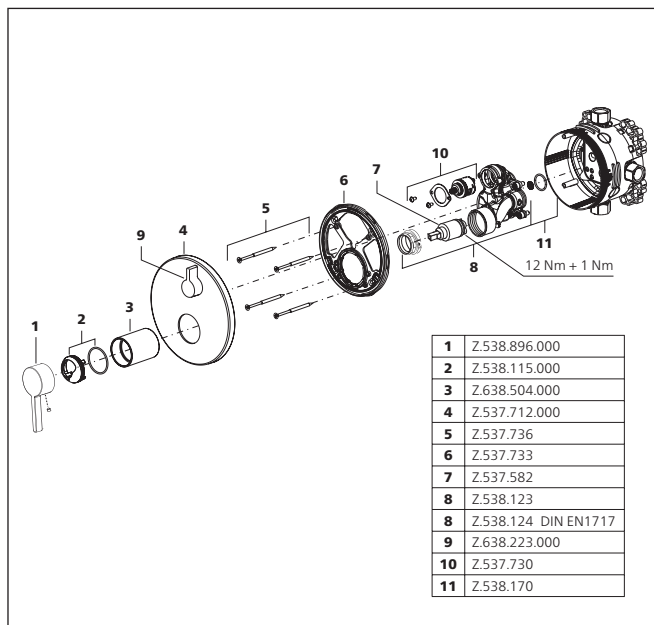
- Trim kit with function unit
- Outflow top and below
- Turning handle for diverter
- KWC cartridge M 35 H
 - with ceramic discs
 - flow rate and temperature continuously variable
- Scope of delivery:
 - Function unit, lever, cap, sleeve, cover plate, holder for escutcheon, diverter
 - Fastening of the cover plate without screws
- To be ordered separately:
 - Unit for concealed installation KWC BLUEBOX® ½", without shut-off valve, 39.999.900.931
 - ¾" (½"), with shut-off valve, 39.999.910.931

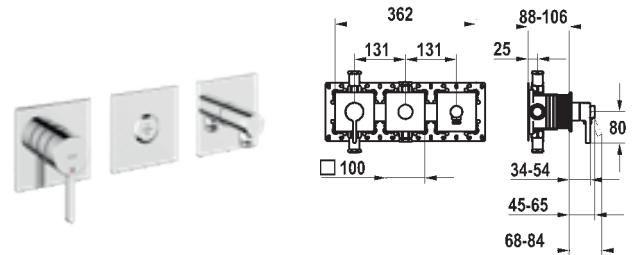
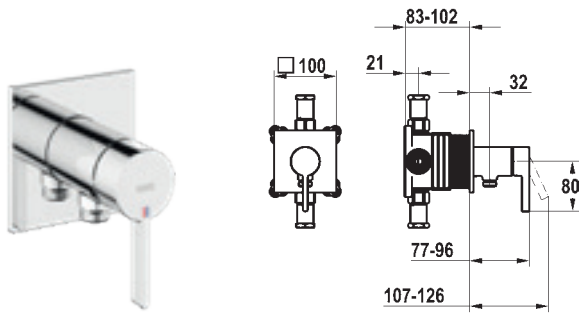
FIT Trim kit - Lever mixer - Shower

- Trim kit with function unit
- Outflow top or below
- KWC cartridge M 35 H
 - with ceramic discs
 - flow rate and temperature continuously variable
- Scope of delivery:
 - Function unit, lever, cap, sleeve, cover plate, holder for escutcheon
 - Fastening of the cover plate without screws
- To be ordered separately:
 - Unit for concealed installation KWC BLUEBOX® ½", without shut-off valve, 39.999.900.931
 - ¾" (½"), with shut-off valve, 39.999.910.931

Acoustic group I

Acoustic group I





SAP Number	Article Number
chromeline, trim kit, with safety device DIN EN 1717	
125434	21.544.550.000

Trim kit, with safety device DIN EN 1717

- Lever mixer – Shower

- Trim kit with function unit KWC HOMEBOX
- Outflow with integrated hose connection
- KWC cartridge M 35-S HF
 - with ceramic discs
 - flow rate and temperature continuously variable
- Scope of delivery:
 - Lever mixer unit with integrated hose connection
 - Fastening of the cover plate without screws
- To be ordered separately:
 - Unit for concealed installation KWC HOMEBOX
 - Lever mixer 1 Consumers 39.006.251.931

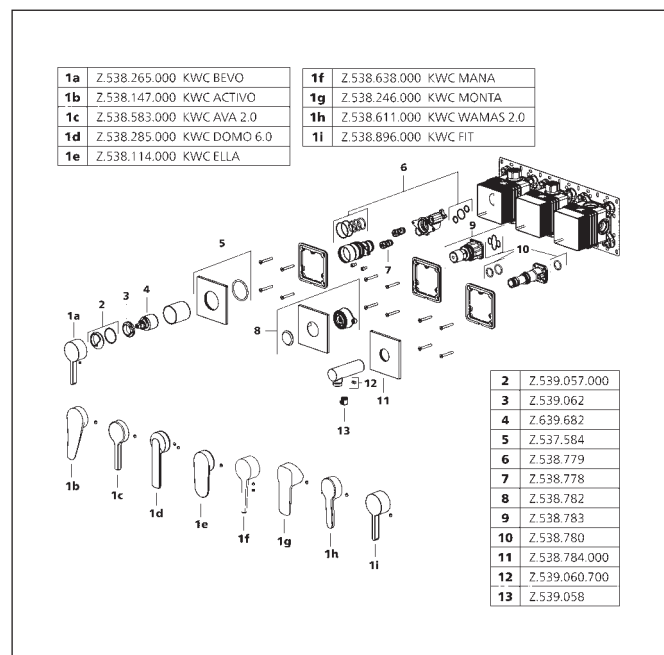
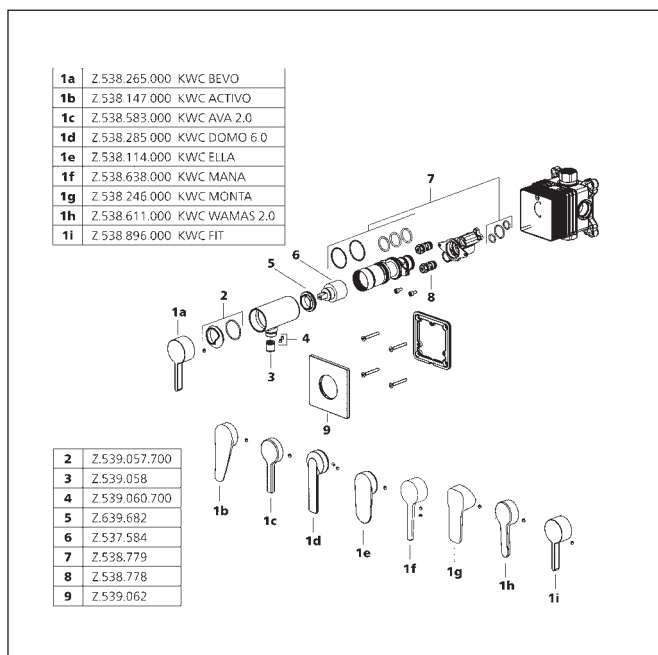
SAP Number	Article Number
chromeline, trim kit, with safety device DIN EN 1717	
125435	20.544.550.000

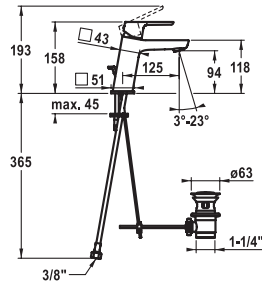
Trim kit, with safety device DIN EN 1717

- Lever mixer – Tub

- Trim kit with function unit KWC HOMEBOX
- Outflow with integrated hose connection above or below for the second consumer with CHOICE diverter without automatic reset
- KWC cartridge M 35-S HF
 - with ceramic discs
 - flow rate and temperature continuously variable
- Scope of delivery:
 - Lever mixer unit
 - Diverter unit
 - Hose connection unit
 - Fastening of the cover plate without screws
- To be ordered separately:
 - Unit for concealed installation KWC HOMEBOX Thermostatic/ lever mixer 2 consumers 39.006.261.931

Acoustic group I





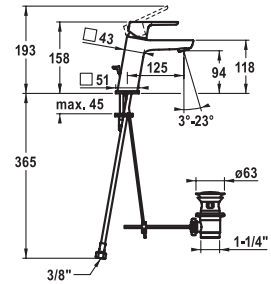
SAP Number	Article Number
chromeline, A 125, flexible connection hoses, with pop-up valve	
124514	12.411.042.000FL

chromeline, A 125, flexible connection hoses, without pop-up valve	
124515	12.411.052.000FL

MONTA Lever mixer - Basin

- Lever mixer
- EcoProtect - water-saving device
- Fixed spout
- Neoperl® Perlator® SSR, swivelling jet regulator
- OptimalSpace - ample space for washing or working
- KWC cartridge M 35 OP
- with ceramic discs
- flow rate and temperature continuously variable
- temperature limitation
- Flexible connection hoses 3/8"
- Fastening by means of stud bolt M8 x 1
- Mounting hole size ø35 mm

Flow rate 5 l/min (3 bar)
Acoustic group I



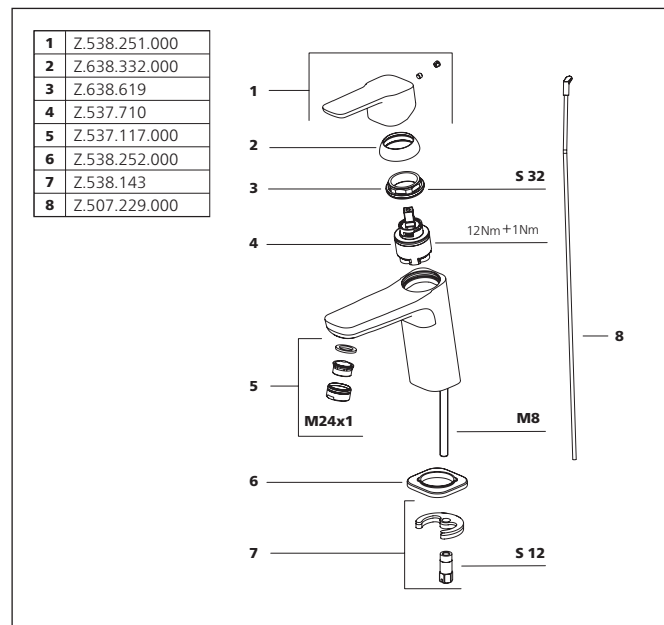
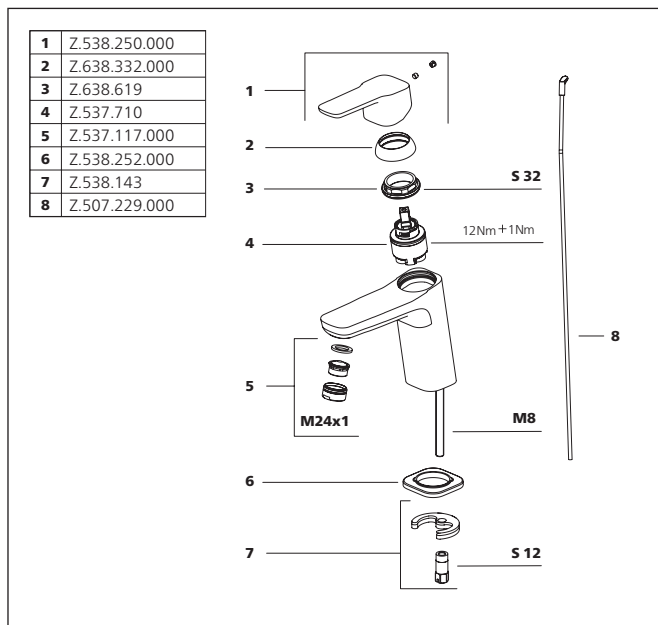
SAP Number	Article Number
chromeline, A 125, flexible connection hoses, with pop-up valve	
124516	12.411.032.000FL

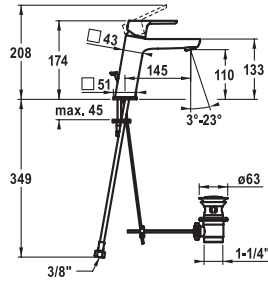
chromeline, A 125, flexible connection hoses, without pop-up valve	
124517	12.411.072.000FL

MONTA Lever mixer - Basin - CoolFix

- Lever mixer
- CoolFix - Cold water flow with a centered lever
- EcoProtect - water-saving device
- Fixed spout
- Neoperl® Perlator® SSR, swivelling jet regulator
- OptimalSpace - ample space for washing or working
- KWC cartridge M 35 OP
- with ceramic discs
- flow rate and temperature continuously variable
- temperature limitation
- Flexible connection hoses 3/8"
- Fastening by means of stud bolt M8 x 1
- Mounting hole size ø35 mm

Flow rate 5 l/min (3 bar)
Acoustic group I





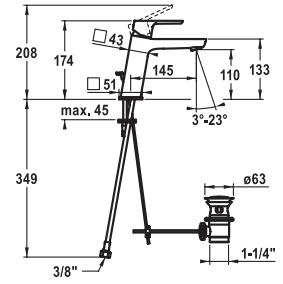
SAP Number	Article Number
chromeline, A 145, flexible connection hoses, with pop-up valve	
124519	12.411.043.000FL

chromeline, A 145, flexible connection hoses, without pop-up valve	
124520	12.411.053.000FL

MONTA Lever mixer - Basin

- Lever mixer
- EcoProtect - water-saving device
- Fixed spout
 - Neoperl® Perlator® SSR, swivelling jet regulator
- OptimalSpace - ample space for washing or working
- KWC cartridge M 35 OP
 - with ceramic discs
 - flow rate and temperature continuously variable
 - temperature limitation
- Flexible connection hoses 3/8"
- Fastening by means of stud bolt M8 x 1
- Mounting hole size ø35 mm

Flow rate 5 l/min (3 bar)
Acoustic group I



SAP Number	Article Number
chromeline, A 145, flexible connection hoses, with pop-up valve	
124521	12.411.033.000FL

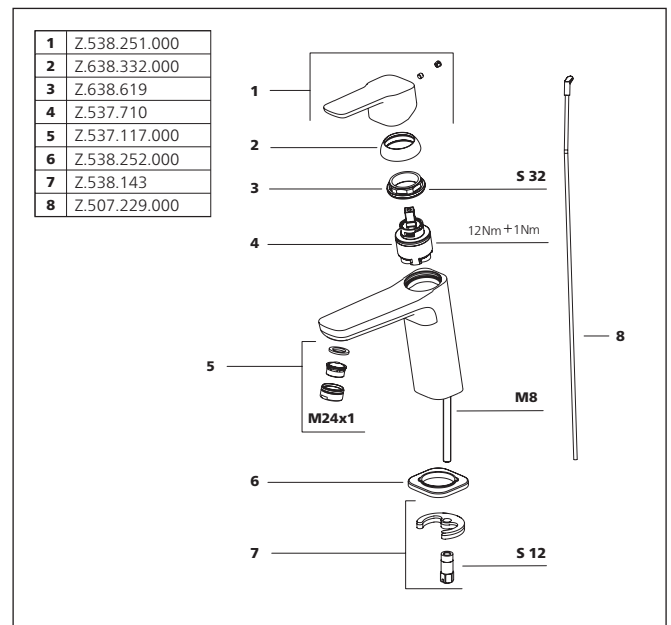
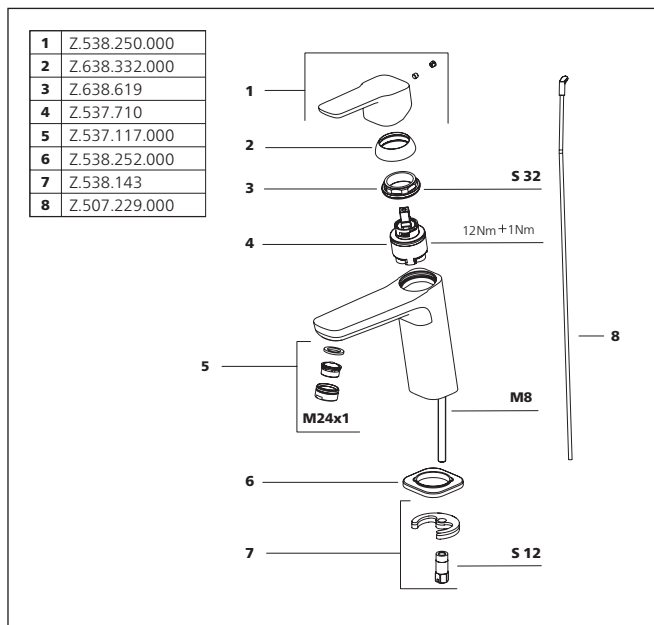
chromeline, A 145, flexible connection hoses, without pop-up valve	
124522	12.411.073.000FL

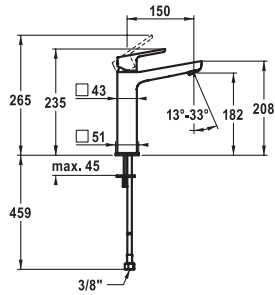
MONTA Lever mixer - Basin - CoolFix

- Lever mixer
- CoolFix - Cold water flow with a centered lever
- EcoProtect - water-saving device
- Fixed spout
 - Neoperl® Perlator® SSR, swivelling jet regulator
- OptimalSpace - ample space for washing or working
- KWC cartridge M 35 OP
 - with ceramic discs
 - flow rate and temperature continuously variable
 - temperature limitation
- Flexible connection hoses 3/8"
- Fastening by means of stud bolt M8 x 1
- Mounting hole size ø35 mm

Flow rate 5 l/min (3 bar)
Acoustic group I

Faucets for the bathroom





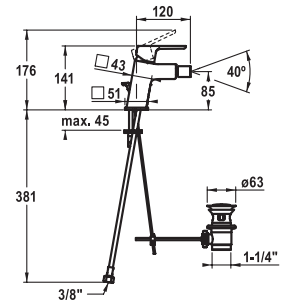
SAP Number **Article Number**

chromeline, A 150, flexible connection hoses, without pop-up valve
124523 12.411.093.000FL

MONTA Lever mixer - Basin

- Lever mixer
- For top-mounted basins
- EcoProtect - water-saving device
- Fixed spout
 - Neoperl® Perlator® SSR, swivelling jet regulator
- OptimalSpace - ample space for washing or working
- KWC cartridge M 35 OP
 - with ceramic discs
 - flow rate and temperature continuously variable
 - temperature limitation
- Flexible connection hoses 3/8"
- Fastening by means of stud bolt 2x M6 x 1
- Mounting hole size ø35 mm

Flow rate 5 l/min (3 bar)
 Acoustic group I



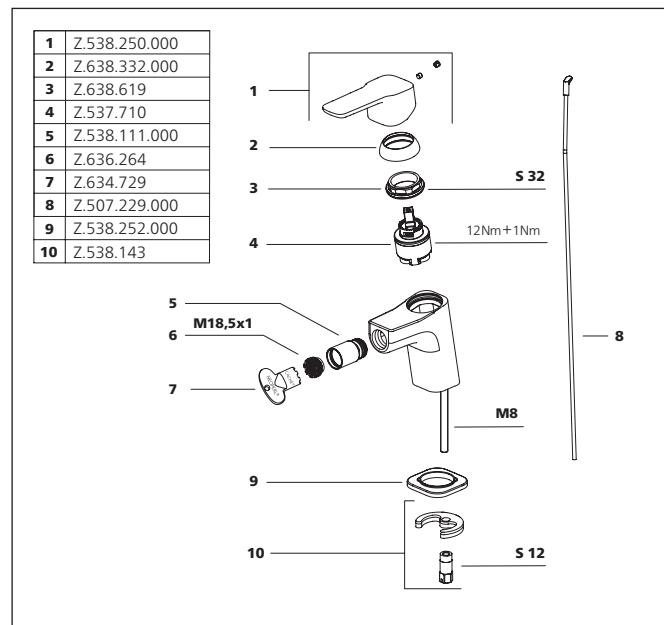
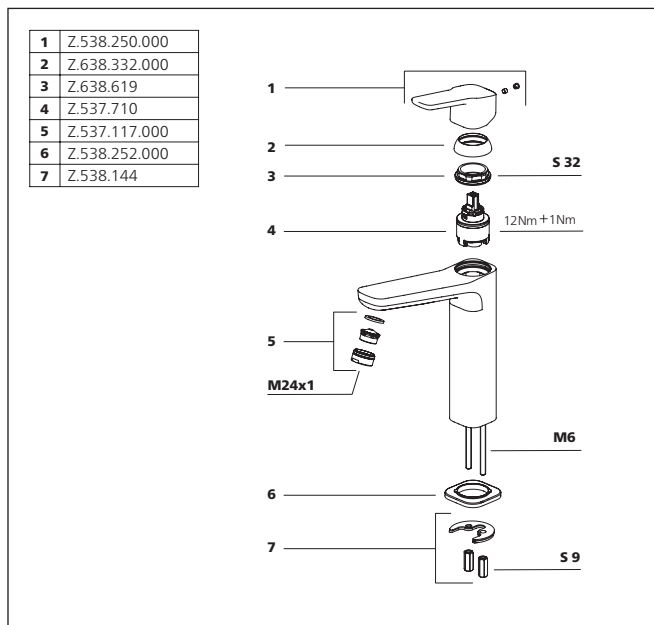
SAP Number **Article Number**

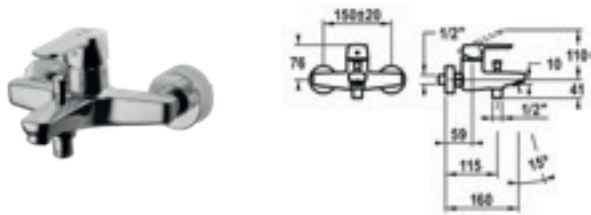
chromeline, A 120, flexible connection hoses, with pop-up valve
124524 13.411.041.000FL

MONTA Lever mixer - Bidet

- Lever mixer
- EcoProtect - water-saving device
- Fixed spout
 - ball joint aerator Neoperl® Perlator®
- KWC cartridge M 35 OP
 - with ceramic discs
 - flow rate and temperature continuously variable
 - temperature limitation
- Flexible connection hoses 3/8"
- Fastening by means of stud bolt M8 x 1
- Mounting hole size ø35 mm

Flow rate 5 l/min (3 bar)
 Acoustic group I





SAP Number	Article Number
chromeline, AD 150±20 mm mm, A 160, without hand shower, hose and bracket	
124531	20.412.333.000

MONTA Lever mixer - Tub

- Lever mixer
- Diverter with automatic reset
- Intrinsically safe against backflow
- Fixed spout
 - Neoperl® Perlator®
- KWC cartridge M 35 H
 - with ceramic discs
 - flow rate and temperature continuously variable
- Wall connections 1/2" x 3/4", without shut-off valve eccentric 10 mm

Flow rate 20 l/min (3 bar)

Acoustic group II

Spray outlet: Flow rate 16 l/min (3bar)

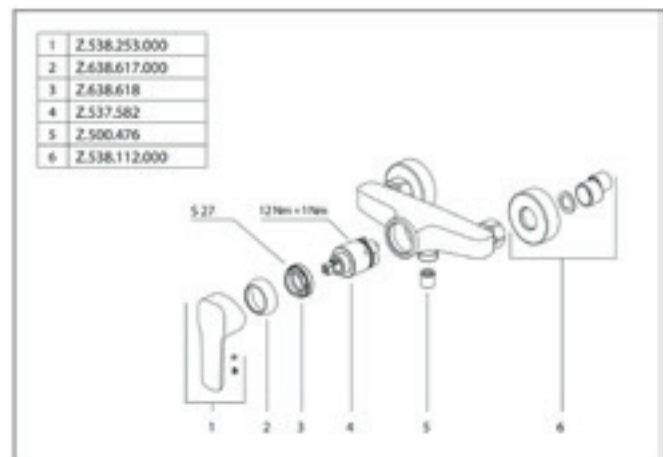
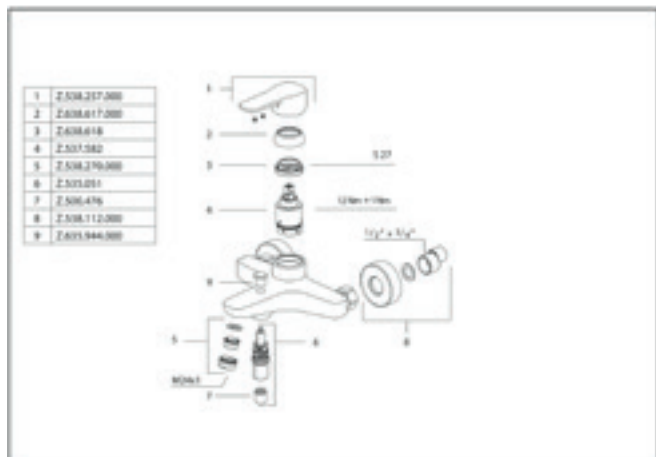
SAP Number	Article Number
chromeline, AD 150±20 mm mm, without hand shower and hose	
124527	21.412.330.000

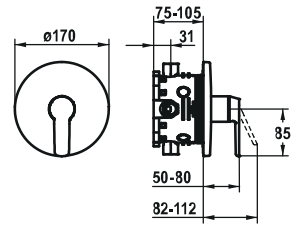
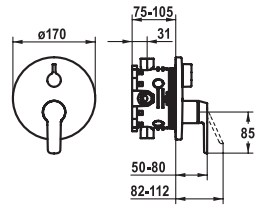
MONTA Lever mixer - Shower

- Lever mixer
- Intrinsically safe against backflow
- KWC cartridge M 35 H
 - with ceramic discs
 - flow rate and temperature continuously variable
- Wall connections 1/2" x 3/4", without shut-off valve eccentric 10 mm

Acoustic group II

Spray outlet: Flow rate 16 l/min (3bar)





SAP Number	Article Number
chromeline, Trim kit 124534	20.414.500.000
chromeline, Trim kit, with vacuum breaker 124535	20.414.510.000

MONTA Trim kit - Tub

- Trim kit with function unit
- Outflow top and below
- Turning handle for diverter
- KWC cartridge M 35 H
 - with ceramic discs
 - flow rate and temperature continuously variable
- Scope of delivery:
 - Function unit, lever, cap, sleeve, cover plate, holder for escutcheon, diverter
 - Fastening of the cover plate without screws
- To be ordered separately:
 - Unit for concealed installation KWC BLUEBOX®
 - 1/2", without shut-off valve, 39.999.900.931
 - 3/4" (1/2"), with shut-off valve, 39.999.910.931

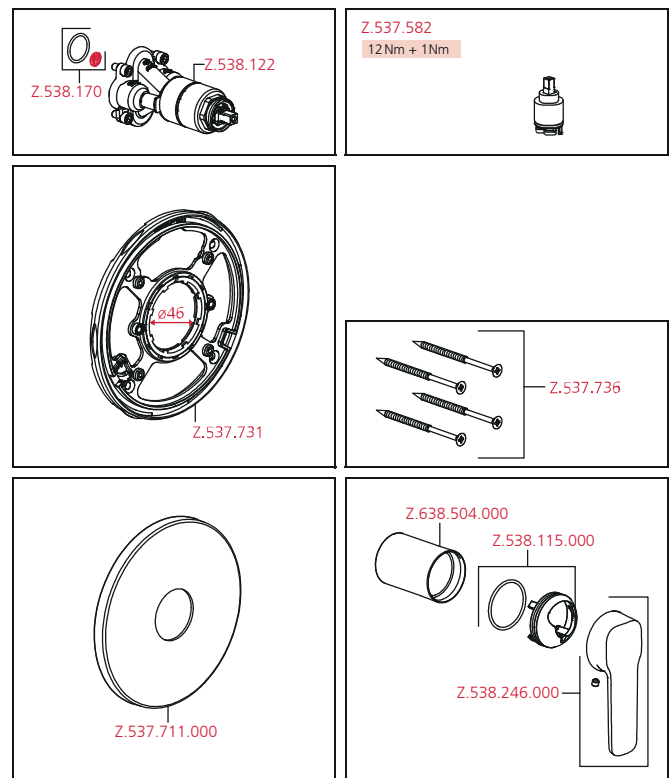
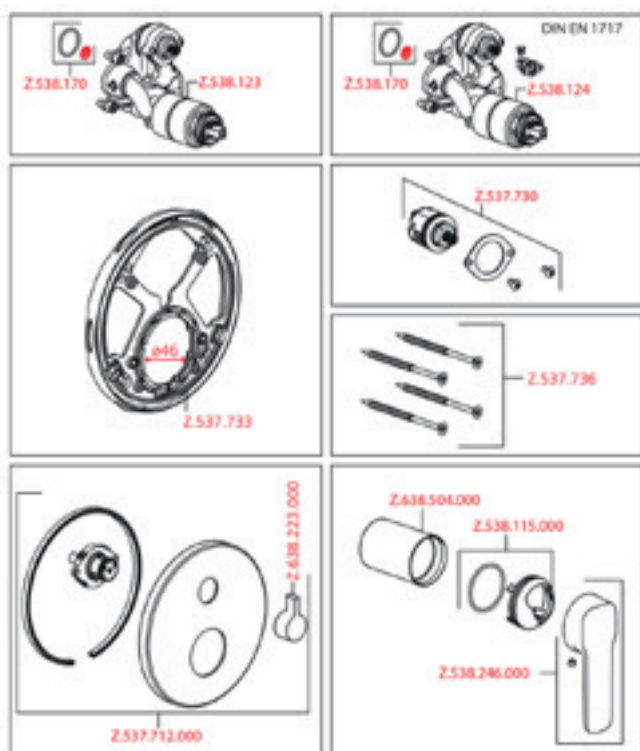
SAP Number	Article Number
chromeline, trim kit 124533	21.414.500.000

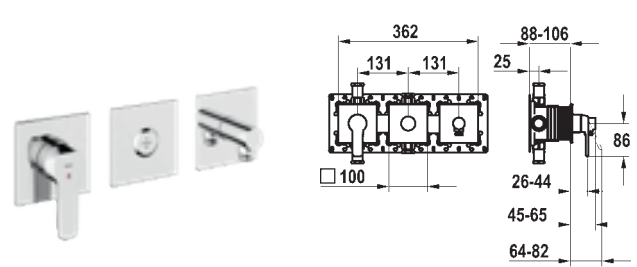
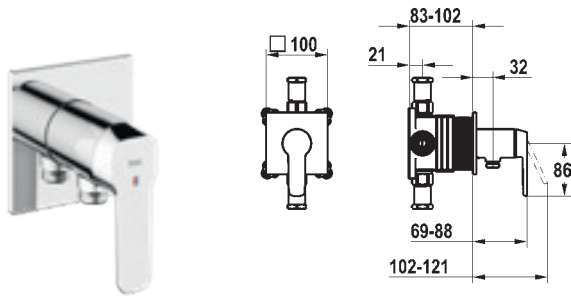
Trim kit • Shower

- Trim kit with function unit
- Outflow top or below
 - KWC cartridge M 35 H
 - with ceramic discs
 - flow rate and temperature continuously variable
 - Scope of delivery:
 - Function unit, lever, cap, sleeve, cover plate, holder for escutcheon
 - Fastening of the cover plate without screws
 - To be ordered separately:
 - Unit for concealed installation KWC BLUEBOX®
 - 1/2", without shut-off valve, 39.999.900.931
 - 3/4" (1/2"), with shut-off valve, 39.999.910.931
 - 3/4", with shut-off valve, 39.999.930.931

Flow rate 18 l/min (3 bar)
Acoustic group I

Flow rate 18 l/min (3 bar)
Acoustic group I





SAP Number	Article Number
chromeline, trim kit, with safety device DIN EN 1717	
125333	21.414.550.000

Trim kit, with safety device DIN EN 1717 – Lever mixer – Shower

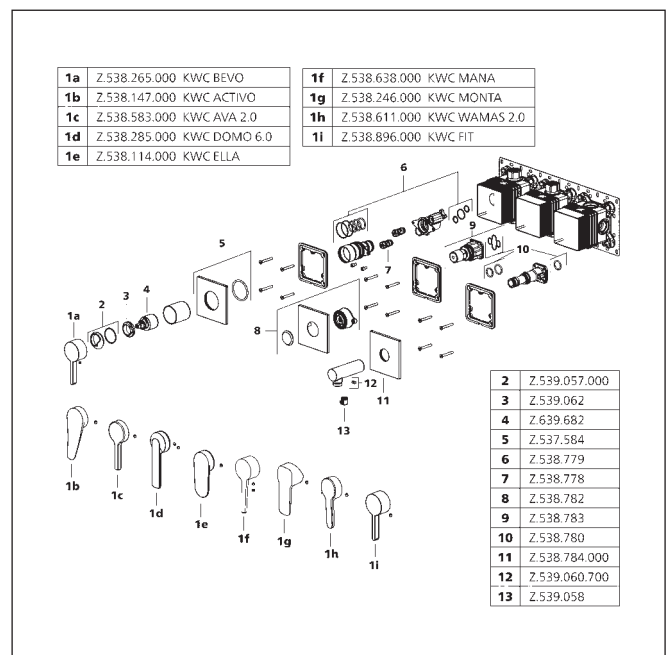
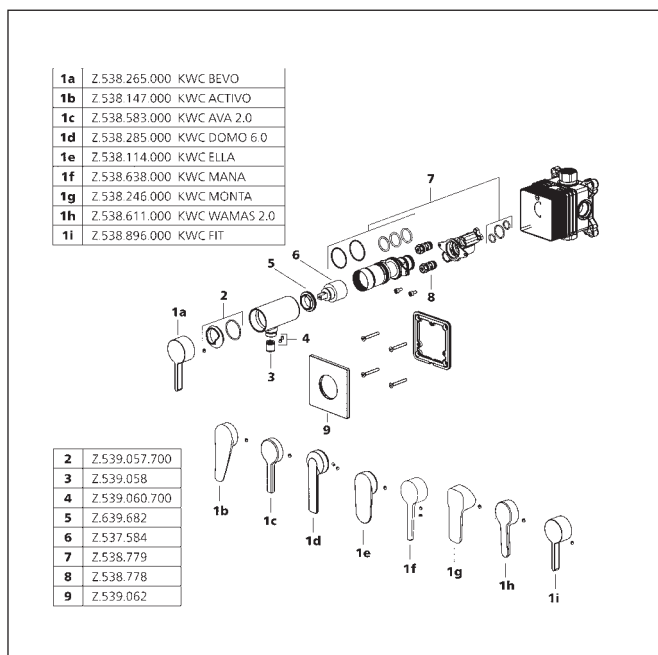
- Trim kit with function unit KWC HOMEBOX
- Outflow with integrated hose connection
- KWC cartridge M 35-S HF
 - with ceramic discs
 - flow rate and temperature continuously variable
- Scope of delivery:
 - Lever mixer unit with integrated hose connection
 - Fastening of the cover plate without screws
- To be ordered separately:
 - Unit for concealed installation KWC HOMEBOX
 - Lever mixer 1 Consumers 39.006.251.931

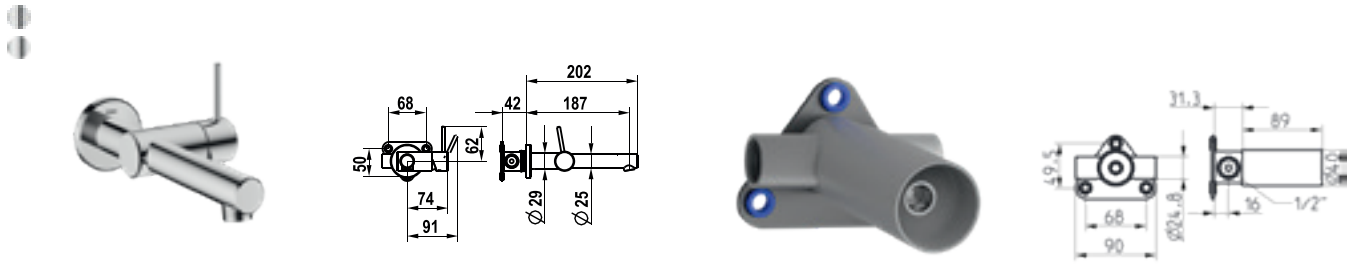
SAP Number	Article Number
chromeline, trim kit, with safety device DIN EN 1717	
125336	20.414.550.000

Trim kit, with safety device DIN EN 1717 – Lever mixer – Tub

- Trim kit with function unit KWC HOMEBOX
- Outflow with integrated hose connection above or below for the second consumer with CHOICE diverter without automatic reset
- KWC cartridge M 35-S HF
 - with ceramic discs
 - flow rate and temperature continuously variable
- Scope of delivery:
 - Lever mixer unit
 - Diverter unit
 - Hose connection unit
 - Fastening of the cover plate without screws
- To be ordered separately:
 - Unit for concealed installation KWC HOMEBOX Thermostatic/ lever mixer 2 consumers 39.006.261.931

Acoustic group I





SAP Number	Article Number
chromeline, A 185, trim kit 125634	11.571.031.000
stainless steel, A 185, trim kit 125635	11.571.031.700



SAP Number	Article Number
raw, unit for concealed installation 125636	39.003.450.931

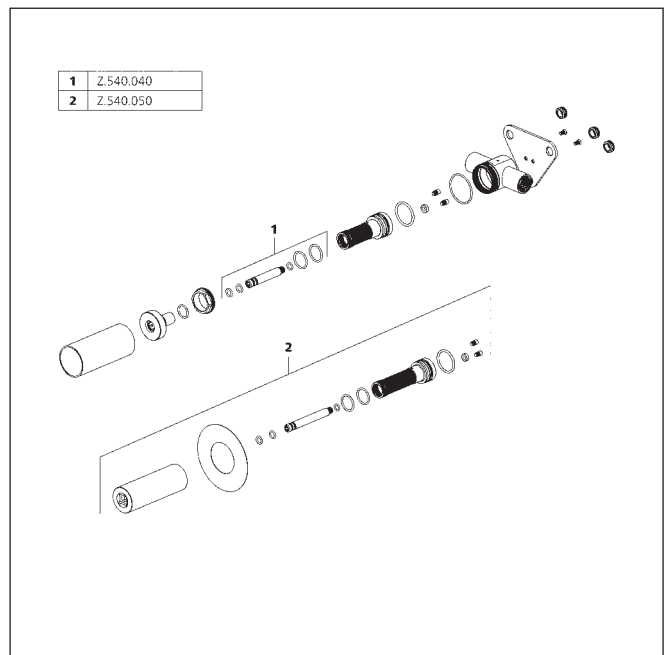
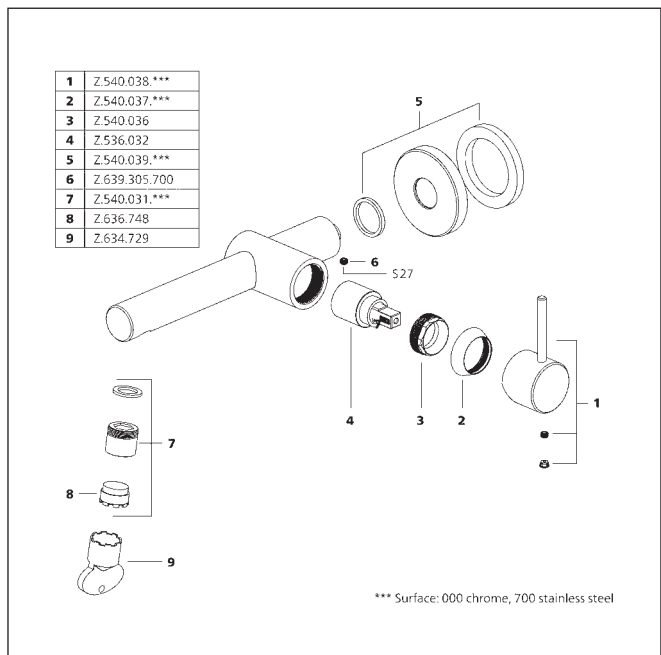
Unit for concealed installation

- Concealed unit wall 1 hole
- Made of stainless steel
- Connecting thread 1/2"
- To be ordered separately:
 - Installation kit Z.536.828
 - Mounting bracket Z.536.458
- Suitable for:
 - KWC ONO

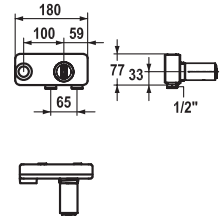
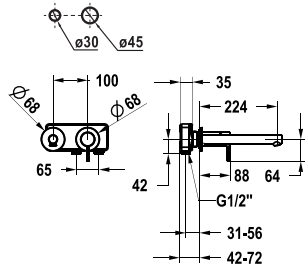
ONO E Trim kit – Lever mixer – Washbasin

- Trim kit Lever mixer
- Made of stainless steel
- EcoProtect - water-saving device
- Fixed spout
- Neoperl® Caché® SSR, swivelling jet regulator
- OptimalSpace - ample space for washing or working
- KWC cartridge S 25
- with ceramic discs
- flow rate and temperature continuously variable
- To be ordered separately:
 - Unit for concealed installation 1/2" 39.003.450.931
 - To be ordered separately (optional or if necessary):
 - Extension set Z.540.050

Flow rate 4.3 l/min (3 bar)
Acoustic group I



*** Surface: 000 chrome, 700 stainless steel



SAP Number	Article Number
chromeline, A 225, trim kit 125637	11.572.064.000
stainless steel, A 225, trim kit 125638	11.572.064.700

SAP Number	Article Number
stainless steel, Concealed unit 124963	39.001.400.700

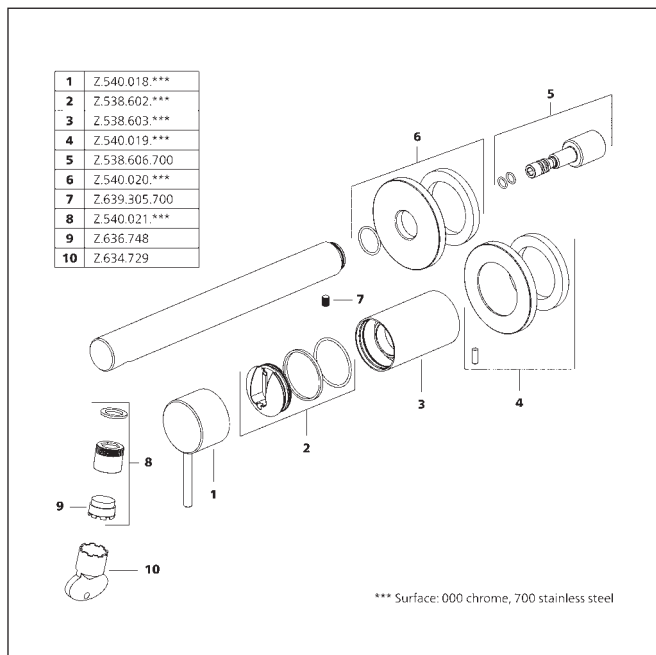
ONO E Trim kit – Lever mixer – Washbasin

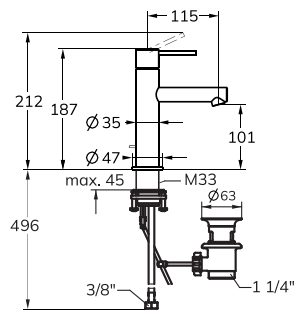
- Trim kit Lever mixer
- Made of stainless steel
- EcoProtect - water-saving device
- Fixed spout
 - Neoperl® Caché® SSR, swivelling jet regulator
- OptimalSpace - ample space for washing or working
- KWC cartridge M 35 H
 - with ceramic discs
 - flow rate and temperature continuously variable
- To be ordered separately:
 - Unit for concealed installation 1/2" 39.001.400.000
- To be ordered separately (optional or if necessary):
 - Extension set 20 mm Z.536.333

AVA E Concealed unit

- Concealed unit wall two hole
- Connecting thread 1/2"
- To be ordered separately:
 - Installation kit Z.536.828
- Suitable for:
 - KWC AVA E
 - KWC ONO E

Faucets for the bathroom



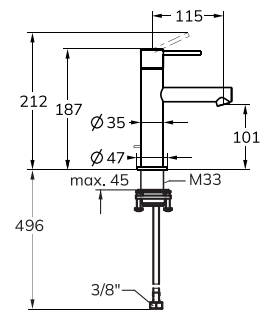


SAP Number	Article Number
chromeline, A115, flexible connection hoses, with pop-up valve 125614	12.578.041.000FL
stainless steel, A115, flexible connection hoses, with pop-up valve 125615	12.578.041.700FL

ONO E Lever mixer – Washbasin

- Lever mixer
- Made of stainless steel
- EcoProtect - water-saving device
- Fixed spout
 - Neoperl® Caché® SSR, swivelling jet regulator
- KWC cartridge S 25
 - with ceramic discs
 - flow rate and temperature continuously variable
- Flexible connection hoses 3/8"
- QuickInstallation - Fastening via threaded connection with locking screws
- Mounting hole size ø35 mm
- Scope of delivery:
 - KWC pop-up valve Z.538.581.000

Flow rate 4.3 l/min (3 bar)
Acoustic group I

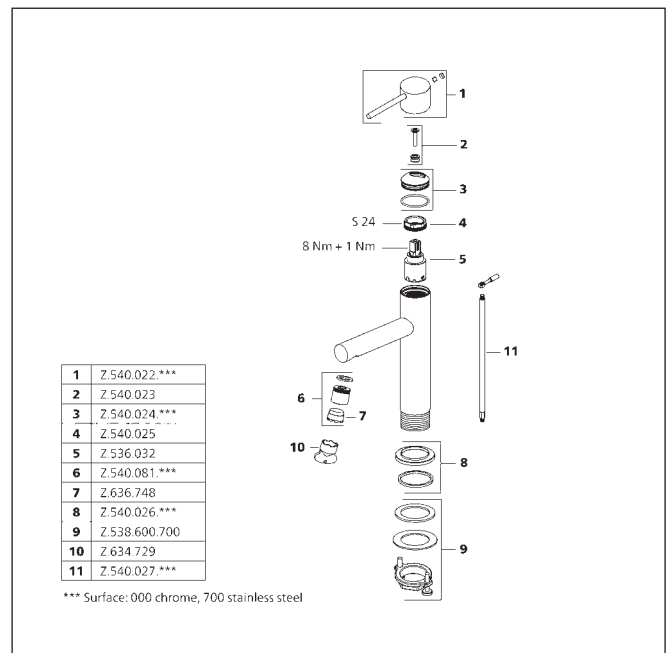
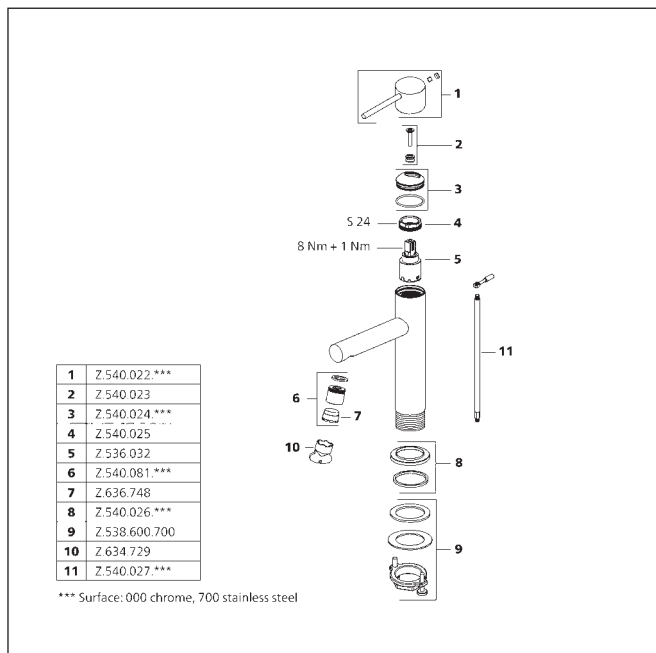


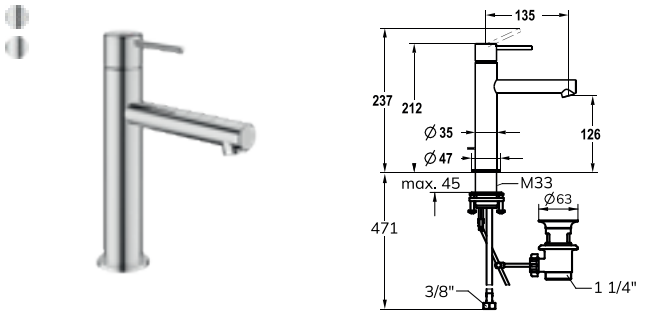
SAP Number	Article Number	Price EUR
chromeline, A115, flexible connection hoses, without pop-up valve 125616	12.578.051.000FL	
stainless steel, A115, flexible connection hoses, without pop-up valve 125617	12.578.051.700FL	

ONO E Lever mixer – Washbasin

- Lever mixer
- Made of stainless steel
- EcoProtect - water-saving device
- Fixed spout
 - Neoperl® Caché® SSR, swivelling jet regulator
- KWC cartridge S 25
 - with ceramic discs
 - flow rate and temperature continuously variable
- Flexible connection hoses 3/8"
- QuickInstallation - Fastening via threaded connection with locking screws
- Mounting hole size ø35 mm

Flow rate 4.3 l/min (3 bar)
Acoustic group I



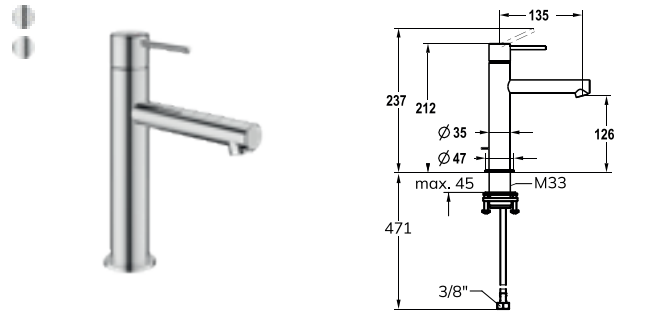


SAP Number	Article Number
chromeline, A135, flexible connection hoses, with pop-up valve 125618	12.578.042.000FL
stainless steel, A135, flexible connection hoses, with pop-up valve 125619	12.578.042.700FL

ONO E Lever mixer – Washbasin

- Lever mixer
- Made of stainless steel
- EcoProtect - water-saving device
- Fixed spout
 - Neoperl® Caché® SSR, swivelling jet regulator
- OptimalSpace - ample space for washing or working
- KWC cartridge S 25
 - with ceramic discs
 - flow rate and temperature continuously variable
- Flexible connection hoses 3/8"
- QuickInstallation -
 - Fastening via threaded connection with locking screws
- Mounting hole size ø35 mm
- Scope of delivery:
 - KWC pop-up valve Z.538.581.000

Flow rate 4.3 l/min (3 bar)
Acoustic group I

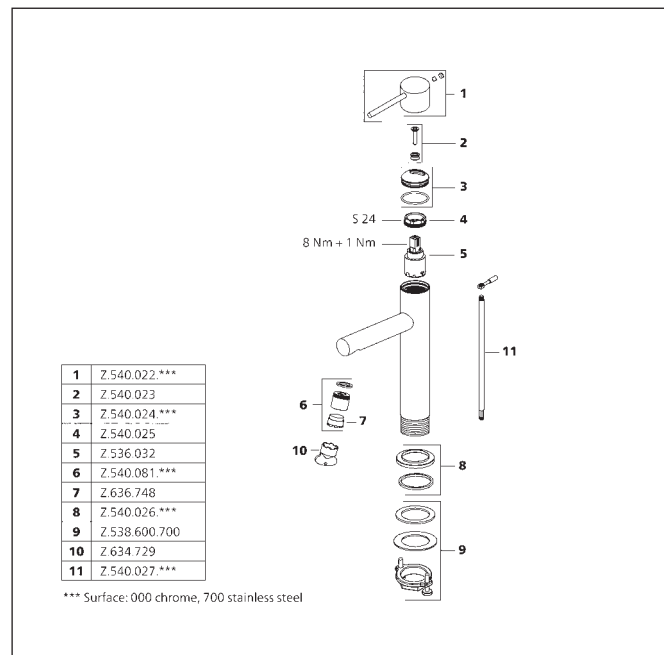
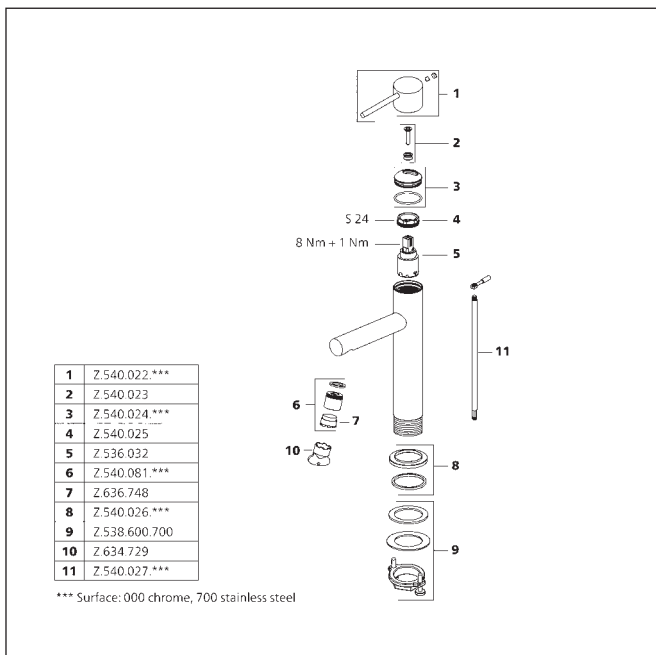


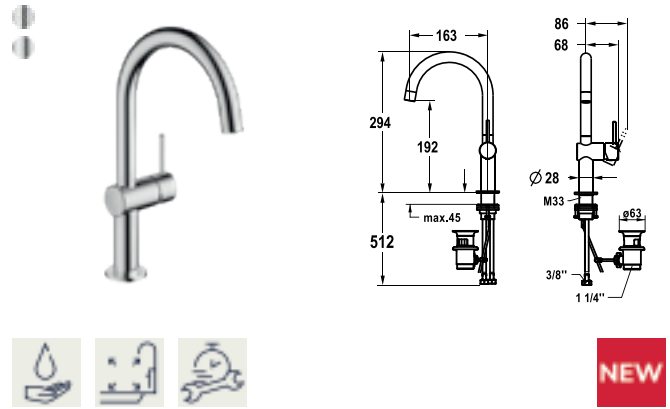
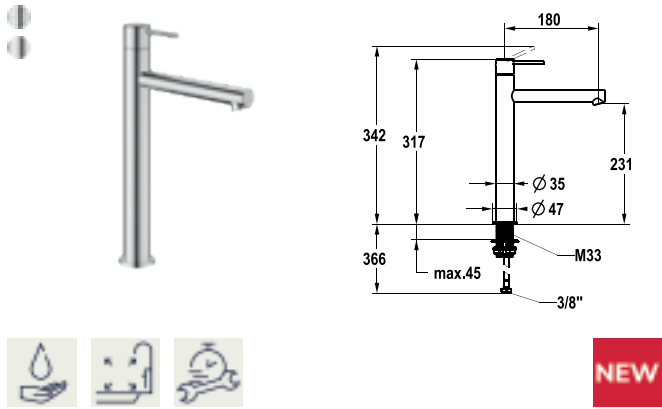
SAP Number	Article Number
chromeline, A135, flexible connection hoses, without pop-up valve 125620	12.578.052.000FL
stainless steel, A135, flexible connection hoses, without pop-up valve 125621	12.578.052.700FL

ONO E Lever mixer – Washbasin

- Lever mixer
- Made of stainless steel
- EcoProtect - water-saving device
- Fixed spout
 - Neoperl® Caché® SSR, swivelling jet regulator
- OptimalSpace - ample space for washing or working
- KWC cartridge S 25
 - with ceramic discs
 - flow rate and temperature continuously variable
- Flexible connection hoses 3/8"
- QuickInstallation -
 - Fastening via threaded connection with locking screws
- Mounting hole size ø35 mm

Flow rate 4.3 l/min (3 bar)
Acoustic group I





SAP Number	Article Number
chromeline, A180, flexible connection hoses, without pop-up valve 125622	12.578.093.000FL
stainless steel, A180, flexible connection hoses, without pop-up valve 125623	12.578.093.700FL

SAP Number	Article Number
chromeline, A160, flexible connection hoses, with pop-up valve 125624	12.578.132.000FL
stainless steel, A160, flexible connection hoses, with pop-up valve 125625	12.578.132.700FL

ONO E Lever mixer – Washbasin

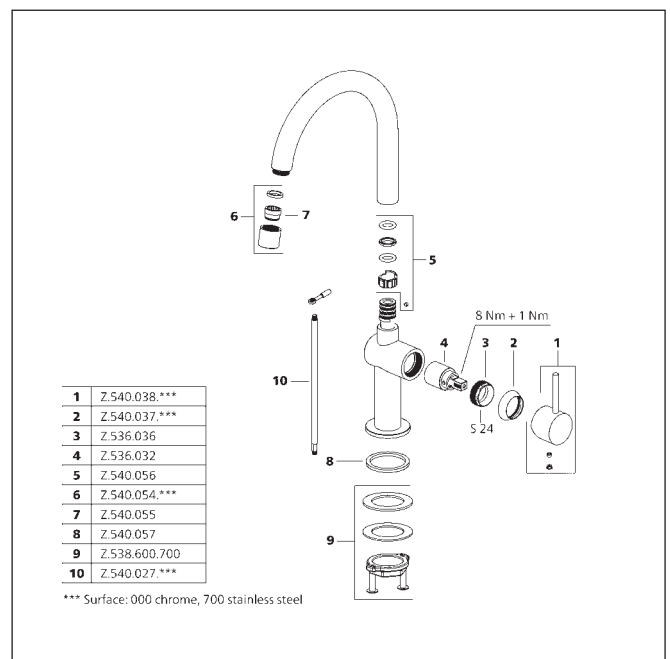
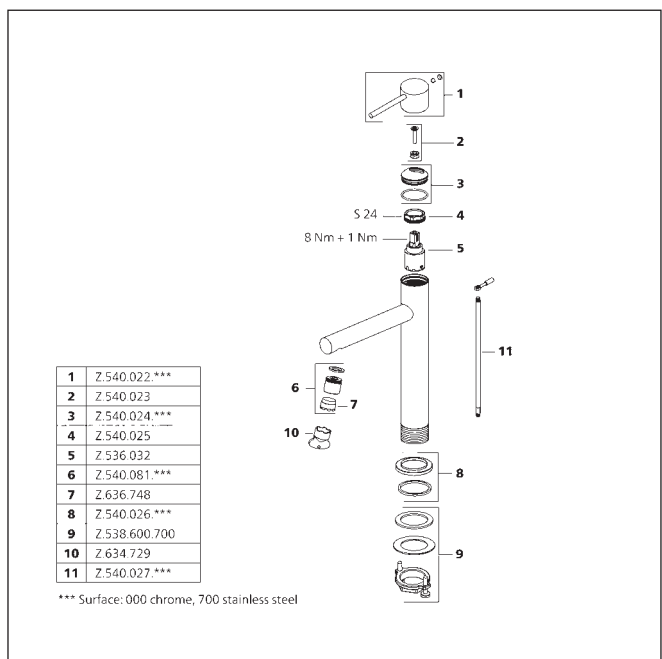
- Lever mixer
- Made of stainless steel
- EcoProtect - water-saving device
- Fixed spout
- Neoperl® Caché® SSR, swivelling jet regulator
- OptimalSpace - ample space for washing or working
- KWC cartridge S 25
- with ceramic discs
- flow rate and temperature continuously variable
- Flexible connection hoses 3/8"
- QuickInstallation -
- Fastening via threaded connection with locking screws
- Mounting hole size ø35 mm

Flow rate 4.3 l/min (3 bar)
Acoustic group I

ONO E Lever mixer – Washbasin

- Lever mixer
- Made of stainless steel
- Lever installation only possible on the right side
- Child safety: cold water flow in lever position towards the front
- EcoProtect - water-saving device
- Swivel spout 120°
- Neoperl® Caché® SJR, swivelling jet regulator
- OptimalSpace - ample space for washing or working
- KWC cartridge S 25
- with ceramic discs
- flow rate and temperature continuously variable
- Flexible connection hoses 3/8"
- QuickInstallation -
- Fastening via threaded connection with locking screws
- Mounting hole size ø35 mm
- Scope of delivery:
- KWC pop-up valve Z.538.581.000

Flow rate 4.4 l/min (3 bar)
Acoustic group I



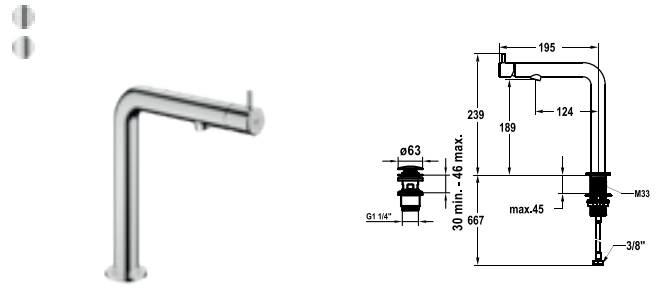
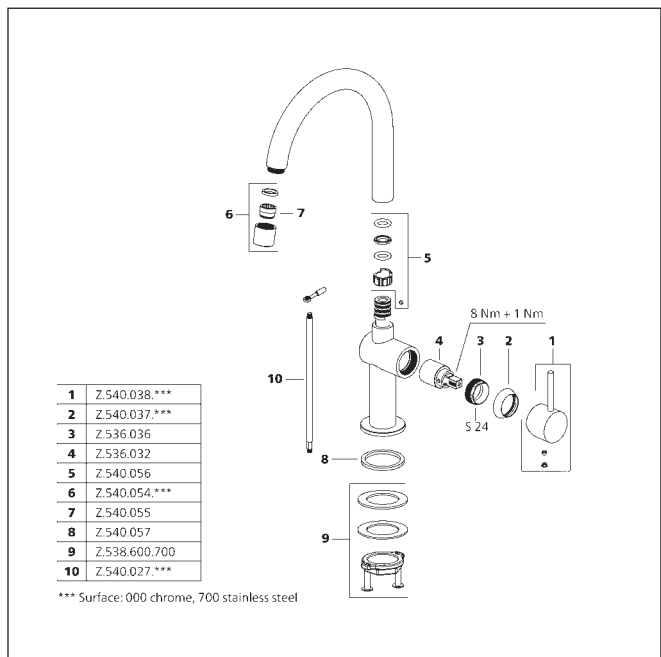


SAP Number	Article Number
chromeline, A160, flexible connection hoses, without pop-up valve 125626	12.578.142.000FL
stainless steel, A160, flexible connection hoses, without pop-up valve 125627	12.578.142.700FL

ONO E Lever mixer – Washbasin

- Lever mixer
- Made of stainless steel
- Lever installation only possible on the right side
 - Child safety: cold water flow in lever position towards the front
- EcoProtect - water-saving device
- Swivel spout 120°
 - Neoperl® Caché® SJR, swivelling jet regulator
- OptimalSpace - ample space for washing or working
- KWC cartridge S 25
 - with ceramic discs
 - flow rate and temperature continuously variable
- Flexible connection hoses 3/8"
- QuickInstallation -
 - Fastening via threaded connection with locking screws
- Mounting hole size ø35 mm

Flow rate 4.4 l/min (3 bar)
Acoustic group I

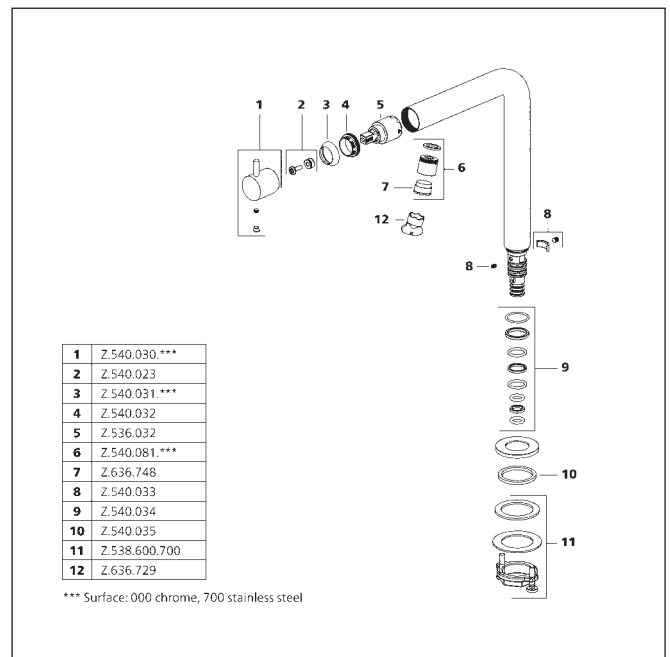


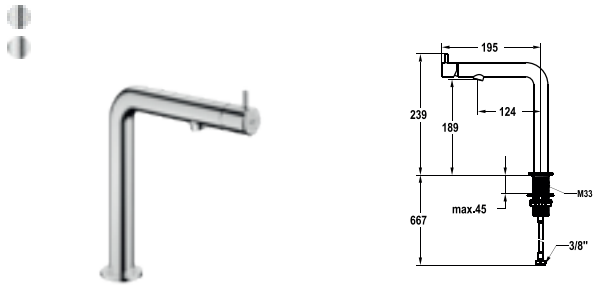
SAP Number	Article Number
chromeline, A125, flexible connection hoses, with Push Open 125628	12.578.671.000FL
stainless steel, A125, flexible connection hoses, with Push Open 125629	12.578.671.700FL

ONO E Lever mixer – Washbasin

- Lever mixer
- Made of stainless steel
- EcoProtect - water-saving device
- Swivel spout fixe, extensible to 120°
 - Neoperl® Perlator® SJR, swivelling jet regulator
- OptimalSpace - ample space for washing or working
- KWC cartridge S 25
 - with ceramic discs
 - flow rate and temperature continuously variable
- Flexible connection hoses 3/8"
- QuickInstallation -
 - Fastening via threaded connection with locking screws
- Mounting hole size ø35 mm
- Scope of delivery:
 - KWC pop-up valve Push Open steel Z.540.049.000

Flow rate 4.5 l/min (3 bar)
Acoustic group I



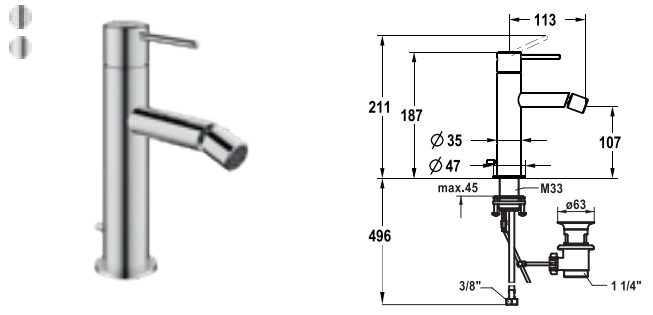


SAP Number	Article Number
chromeline, A125, flexible connection hoses, without pop-up valve 125630	12.578.681.000FL
stainless steel, A125, flexible connection hoses, without pop-up valve 125631	12.578.681.700FL

ONO E Lever mixer – Washbasin

- Lever mixer
- Made of stainless steel
- EcoProtect - water-saving device
- Swivel spout fixe, extensible to 120°
 - Neoperl® Perlator® SJR, swivelling jet regulator
- OptimalSpace - ample space for washing or working
- KWC cartridge S 25
 - with ceramic discs
 - flow rate and temperature continuously variable
- Flexible connection hoses 3/8"
- QuickInstallation -
 - Fastening via threaded connection with locking screws
- Mounting hole size ø35 mm

Flow rate 4.5 l/min (3 bar)
Acoustic group I

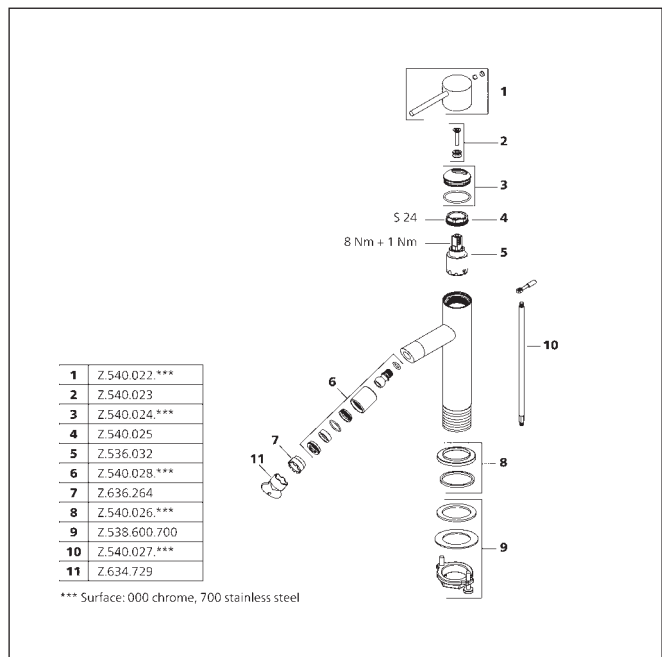
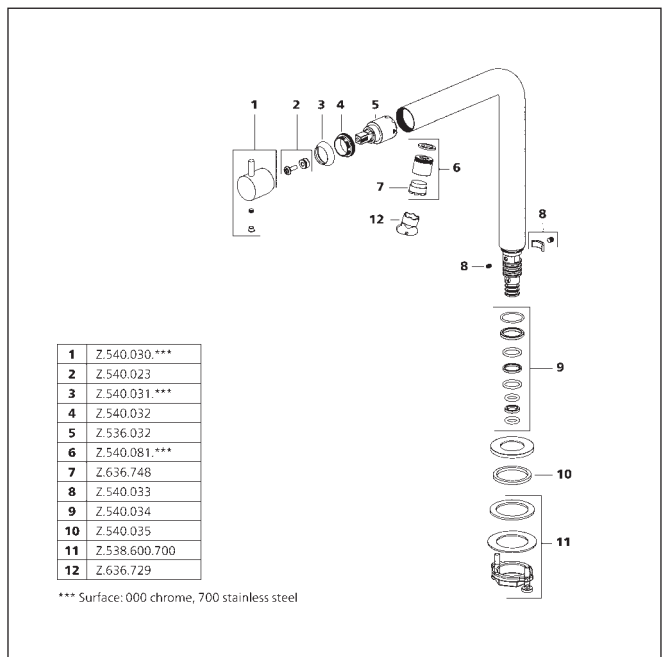


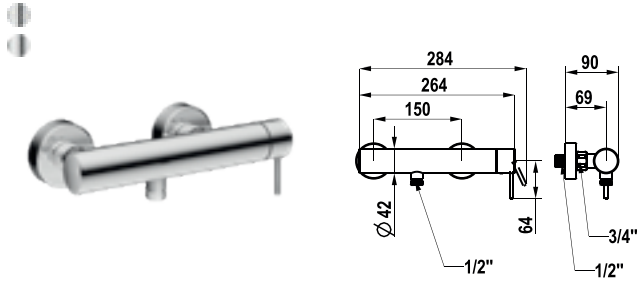
SAP Number	Article Number
chromeline, A115, flexible connection hoses, with pop-up valve 125632	13.578.041.000FL
stainless steel, A115, flexible connection hoses, with pop-up valve 125633	13.578.041.700FL

ONO E Lever mixer – Bidet

- Lever mixer
- Made of stainless steel
- EcoProtect - water-saving device
- Fixed spout
 - Ball joint aerator perlator
- KWC cartridge S 25
 - with ceramic discs
 - flow rate and temperature continuously variable
- Flexible connection hoses 3/8"
- QuickInstallation -
 - Fastening via threaded connection with locking screws
- Mounting hole size ø35 mm
- Scope of delivery:
 - KWC pop-up valve Z.538.581.000

Flow rate 4.3 l/min (3 bar)
Acoustic group I





NEW

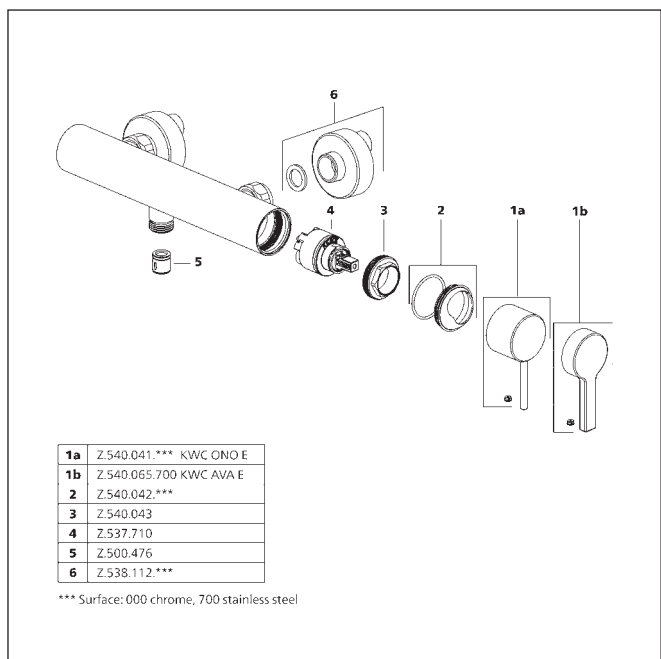
SAP Number	Article Number
chromeline, AD 150±20, without spray head and hose 125645	21.572.480.000
stainless steel, AD 150±20, without spray head and hose 125646	21.572.480.700

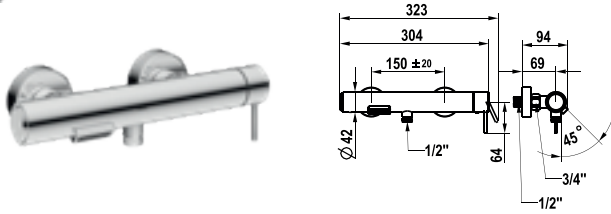
ONO E Lever mixer – Shower

- Lever mixer
- Made of stainless steel
- Inherently safe against backflow
- KWC cartridge with safety device M 35 OP
 - with ceramic discs
 - flow rate and temperature continuously variable
- Wall connections 1/2" x 3/4", without shut-off valve eccentric 10 mm

Spray outlet: Flow rate 12.6 l/min (3bar)
 Spray outlet: Acoustic group II

Faucets for the bathroom





SAP Number	Article Number
chromeline, AD 150±20, without spray head, hose and holder	
125653	20.572.480.000
stainless steel, AD 150±20, without spray head, hose and holder	
125654	20.572.480.700

ONO E Lever mixer – Tub

- Lever mixer
- Made of stainless steel
- Push-button diverter with automatic reset
- Intrinsically safe against backflow
- Fixed spout
 - Neoperl® surge aerator
- KWC cartridge M 35 OP
 - with ceramic discs
 - flow rate and temperature continuously variable
- Wall connections 1/2" x 3/4", without shut-off valve eccentric 10 mm

Flow rate 21 l/min (3bar)

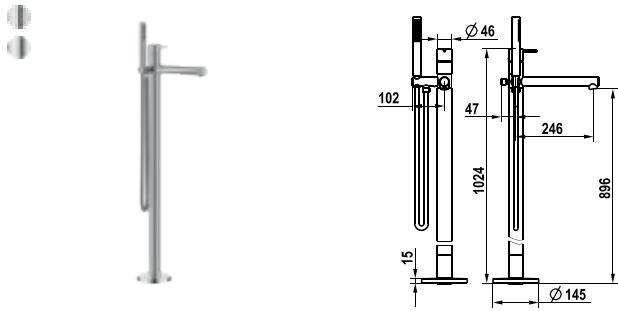
Acoustic group U

Spray outlet: Flow rate 12.6 l/min(3bar)

Spray outlet: Acoustic group II

1a	Z.540.041.*** KWC ONO E	6	Z.540.046.***
1b	Z.540.065.700 KWC AVA E	7	Z.540.047.***
2	Z.540.042.***	8	Z.540.048
3	Z.540.043	9	Z.500.476
4	Z.537.710	10	Z.538.112.***
5	Z.540.045		

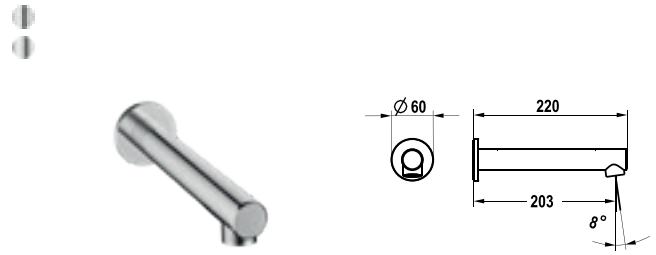
*** Surface: 000 chrome, 700 stainless steel



SAP Number	Article Number
chromeline, A 245, with spray head, hose and holder 125655	20.571.094.000
stainless steel, A 245, with spray head, hose and holder 125656	20.571.094.700

ONO E Lever mixer – Tub

- Lever mixer
- For freestanding tub
- Made of stainless steel
- Integrated check valve in the hose outlet
- with shower holder
- Fixed spout
- Neoperl® SLIM®
- KWC cartridge M 35 OP
 - with ceramic discs
 - flow rate and temperature continuously variable
 - temperature limitation
- Scope of delivery:
 - Hand shower KWC FIT-X slim 26.000.103.000
 - Shower hose 1500 mm, metal Z.538.415.000 (stainless steel)
 - Shower hose 1600 mm, plastic 26.001.003.000 (chromeline)
- To be ordered separately:
 - Unit for concealed installation 39.000.602.931

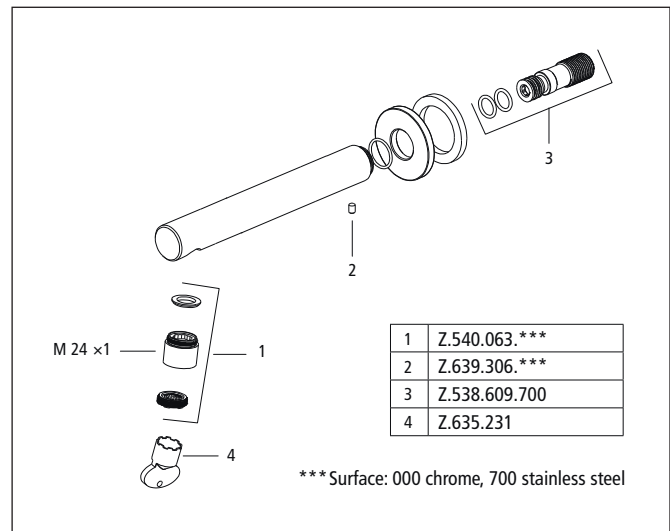
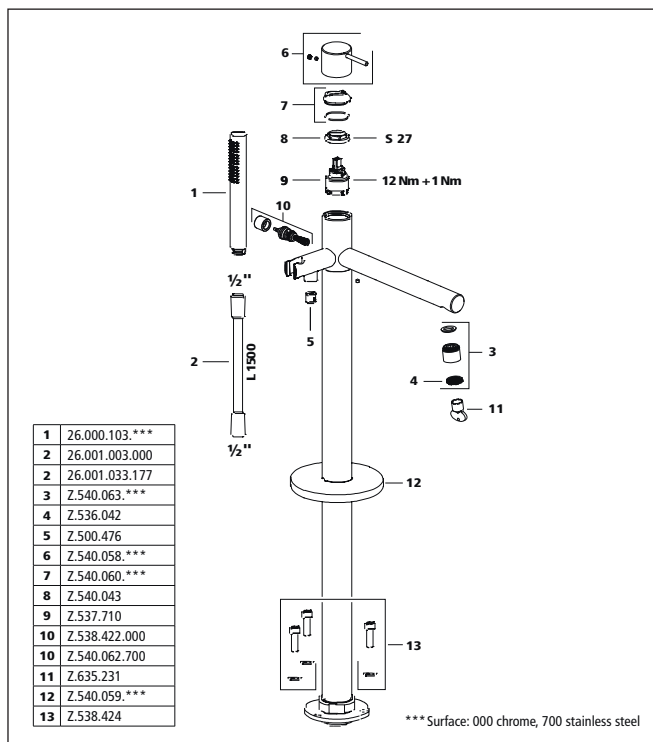


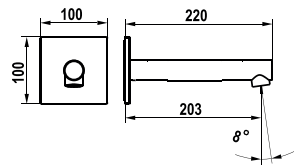
SAP Number	Article Number
chromeline, A 205, 1/2" thread 125657	26.578.054.000
stainless steel, A 205, 1/2" thread 125658	26.578.044.700

ONO E Bathtub spout

- Bathtub spout
- Fixed spout
 - Neoperl® SLIM®
- Connecting thread 1/2"
- Suitable for:
 - KWC ONO E

Faucets for the bathroom

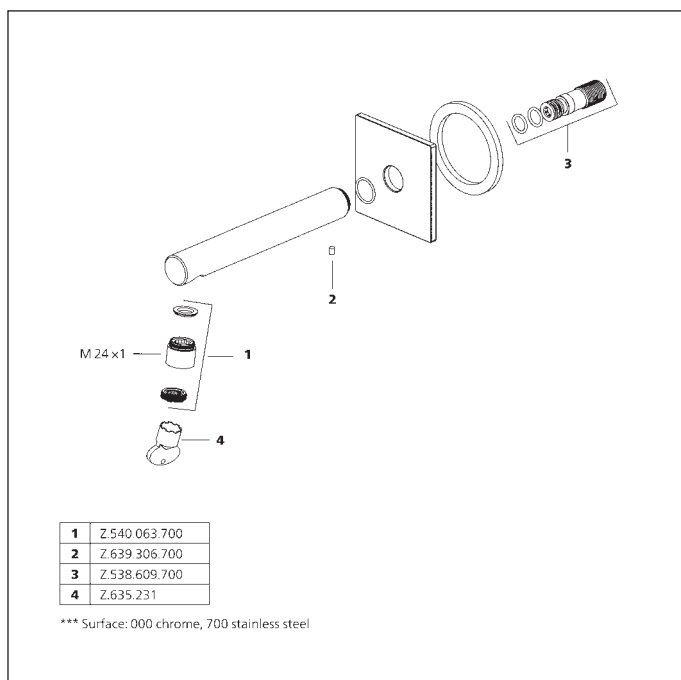


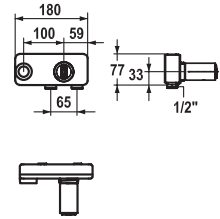
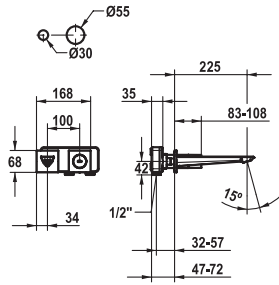


SAP Number	Article Number
chromeline, A 205, 1/2" thread 125659	26.578.054.000
stainless steel, A 205, 1/2" thread 125660	26.578.054.700

ONO E Bathtub spout

- Bathtub spout
- Fixed spout
 - Neoperl® SLIM®
- Connecting thread 1/2"
- Suitable for:
 - KWC ONO E





SAP Number	Article Number
chromeline, A 225, Trim kit	
125492	11.492.064.000

SAP Number	Article Number
chromeline, Concealed unit	
125189	39.001.402.000

ORA Trim kit - Lever mixer - Basin

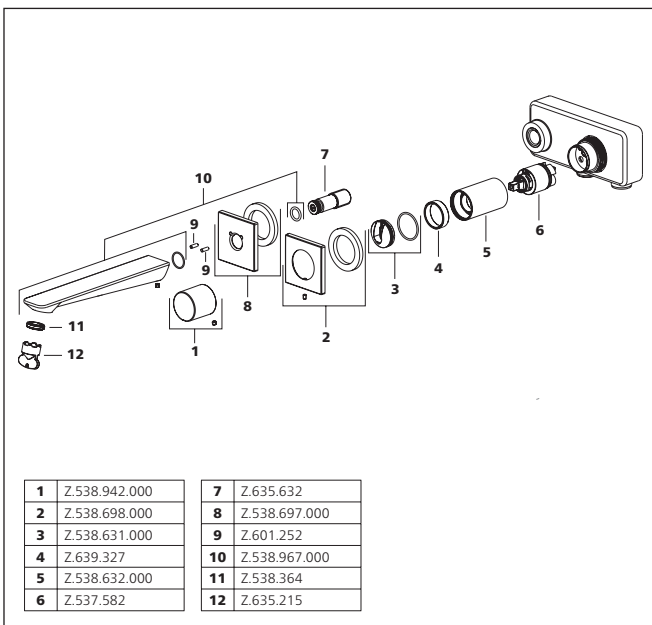
- Trim kit Lever mixer
- Fixed spout
 - Neoperl® Perlator® SSR, swivelling jet regulator
- OptimalSpace - ample space for washing or working
- KWC cartridge M 35 H
 - with ceramic discs
 - flow rate and temperature continuously variable
- To be ordered separately:
 - Unit for concealed installation 1/2" 39.001.402.000
- To be ordered separately (optional or if necessary):
 - Extension set 20 mm Z.536.333

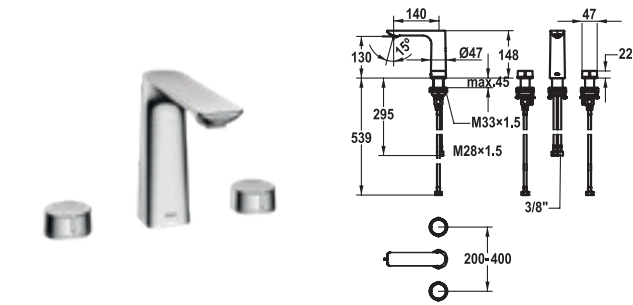
AVA 2.0 Concealed unit

- Concealed unit wall two hole
- Connecting thread 1/2"
- To be ordered separately:
 - Installation kit Z.536.828
- Suitable for:
 - KWC AVA 2.0
 - KWC ORA

Flow rate 5 l/min (3 bar)

Acoustic group I





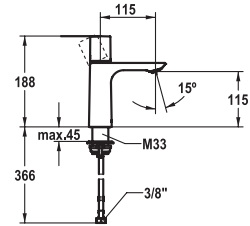
SAP Number **Article Number**

chromeline, A 145,
flexible connection hoses, with Push Open
125489 12.493.651.000FL

ORA Two-handle mixer - Basin

- Two-handle mixer
- 3-hole
- EcoProtect - water-saving device
- Fixed spout
- Neoperl® Perlator® SSR, swivelling jet regulator
- OptimalSpace - ample space for washing or working
- Flexible connection hoses 3/8"
- QuickInstallation -
Fastening via threaded connection with locking screws
- Mounting hole size ø35 mm / ø30 mm
- Scope of delivery:
- KWC pop-up valve Push Open 2 in 1 Z.538.321.000

Flow rate 4 l/min (3 bar)
Acoustic group I



SAP Number **Article Number**

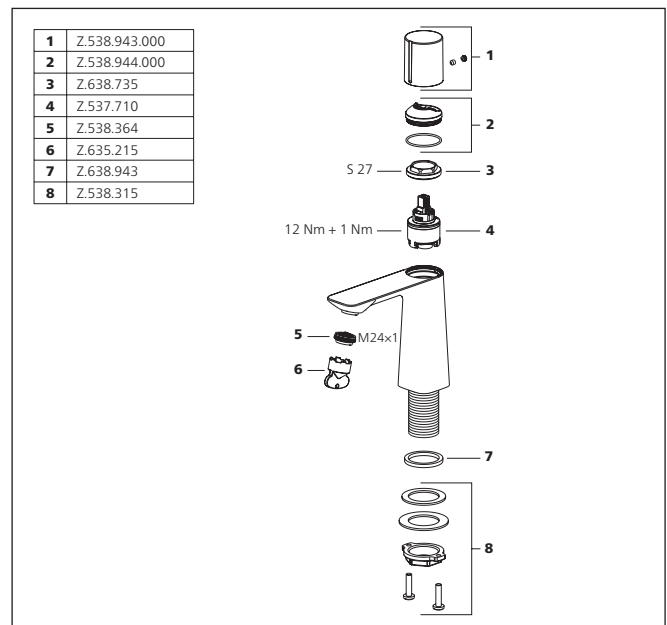
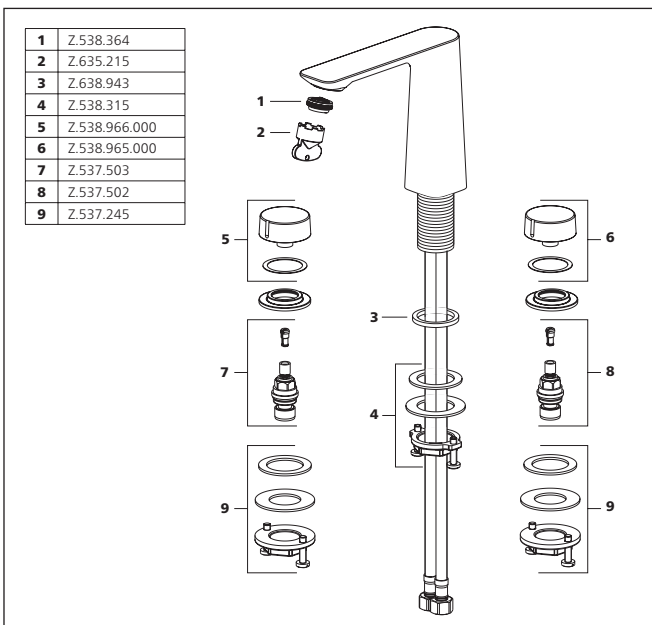
chromeline, A 115,
flexible connection hoses, with Push Open
125484 12.498.641.000FL

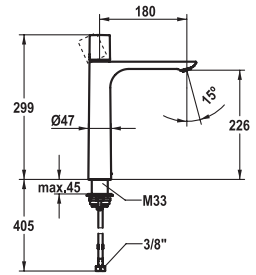
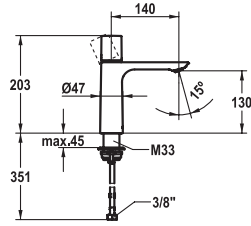
chromeline, A 115,
flexible connection hoses, without pop-up valve
125485 12.498.051.000FL

ORA Lever mixer - Basin

- Lever mixer
- EcoProtect - water-saving device
- Fixed spout
- Neoperl® Perlator® SSR, swivelling jet regulator
- KWC cartridge M 35 OP
- with ceramic discs
- flow rate and temperature continuously variable
- Flexible connection hoses 3/8"
- QuickInstallation -
Fastening via threaded connection with locking screws
- Mounting hole size ø35 mm
- Scope of delivery:
- KWC pop-up valve Push Open 2 in 1 Z.538.321.000

Flow rate 4 l/min (3 bar)
Acoustic group I





SAP Number	Article Number
chromeline, A 145, flexible connection hoses, with Push Open	
125486	12.498.642.000FL

chromeline, A 145, flexible connection hoses, without pop-up valve	
125487	12.498.052.000FL

ORA Lever mixer - Basin

- Lever mixer
- EcoProtect - water-saving device
- Fixed spout
- Neoperl® Perlator® SSR, swivelling jet regulator
- OptimalSpace - ample space for washing or working
- KWC cartridge M 35 OP
- with ceramic discs
- flow rate and temperature continuously variable
- Flexible connection hoses 3/8"
- QuickInstallation -
- Fastening via threaded connection with locking screws
- Mounting hole size ø35 mm
- Scope of delivery:
- KWC pop-up valve Push Open 2 in 1 Z.538.321.000

Flow rate 4 l/min (3 bar)
Acoustic group I

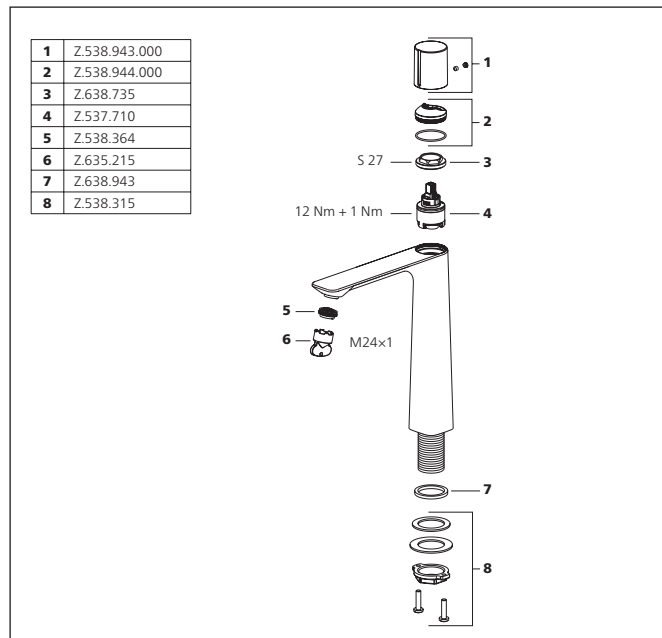
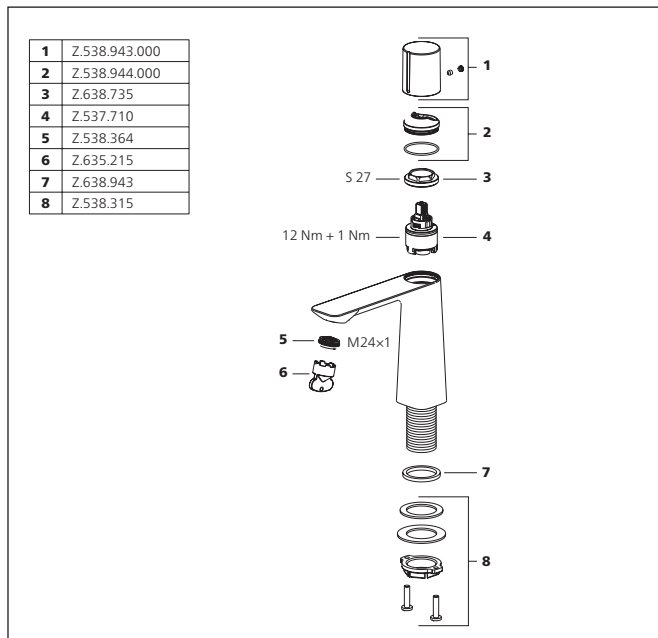


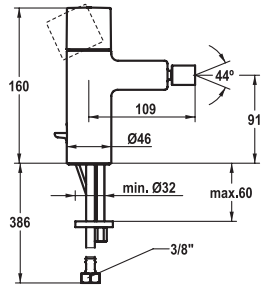
SAP Number	Article Number
chromeline, A 185, flexible connection hoses, without pop-up valve	
125488	12.498.093.000FL

ORA Lever mixer - Basin

- Lever mixer
- For top-mounted basins
- EcoProtect - water-saving device
- Fixed spout
- Neoperl® Perlator® SSR, swivelling jet regulator
- OptimalSpace - ample space for washing or working
- KWC cartridge M 35 OP
- with ceramic discs
- flow rate and temperature continuously variable
- Flexible connection hoses 3/8"
- QuickInstallation -
- Fastening via threaded connection with locking screws
- Mounting hole size ø35 mm

Flow rate 4 l/min (3 bar)
Acoustic group I



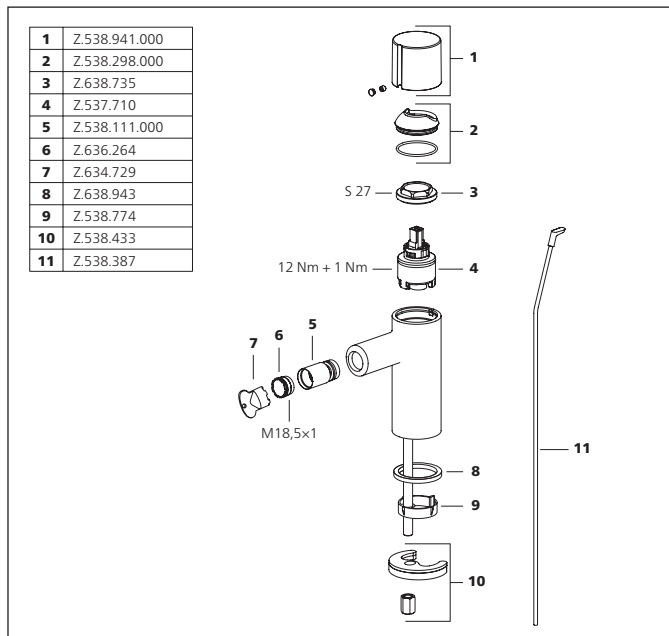


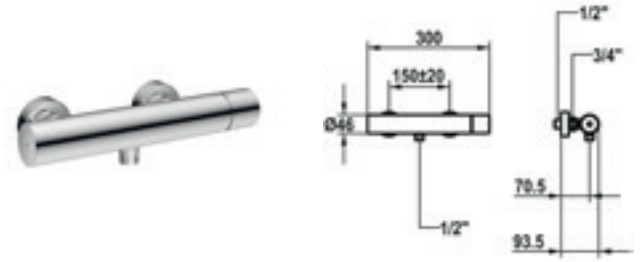
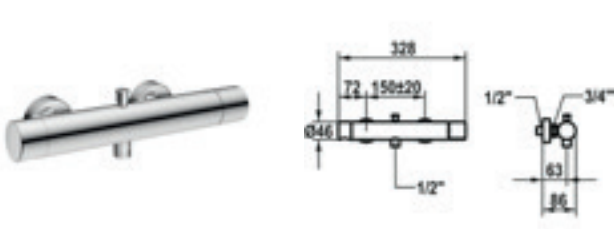
SAP Number	Article Number
chromeline, A 110, flexible connection hoses, with pop-up valve	
125490	13.491.041.000FL

ORA Lever mixer - Bidet

- Lever mixer
- Fixed spout
 - ball joint aerator Neoperl® Caché®
- KWC cartridge M 35 OP
 - with ceramic discs
 - flow rate and temperature continuously variable
- Flexible connection hoses 3/8"
- Fastening by means of stud bolt M8 x 1
- Mounting hole size ø35 mm
- Scope of delivery:
 - KWC pop-up valve Z.538.581.000

Flow rate 4 l/min (3 bar)
Acoustic group I





SAP Number	Article Number
chromeline, AD 150±20 mm, without hand shower, hose and bracket	
125500	20.492.440.000

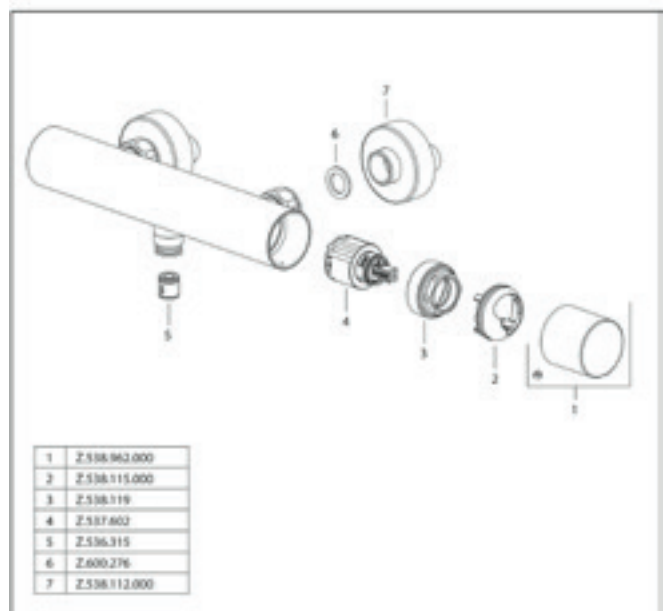
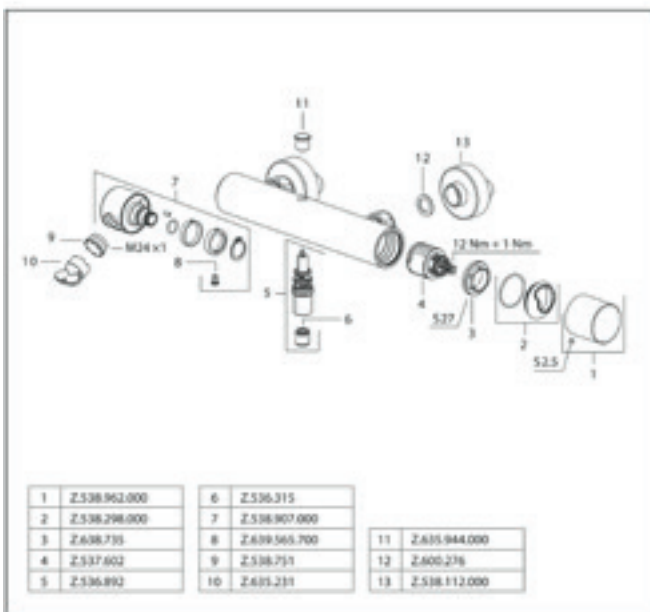
SAP Number	Article Number
chromeline, AD 150±20 mm, without hand shower and hose	
125496	21.492.480.000

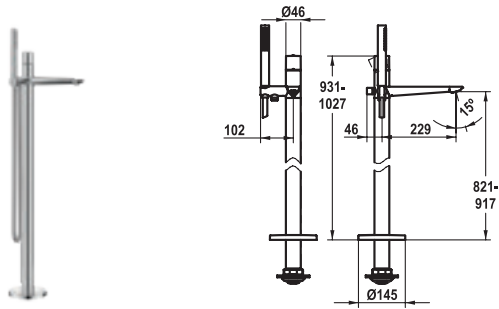
ORA Lever mixer - bath

- Lever mixer
- Diverter with automatic reset
- Intrinsically safe against backflow
- Rotatable spout 60°
 - Neoperl® Caché®
- KWC cartridge M 35-S HF
 - with ceramic discs
 - flow rate and temperature continuously variable
- Wall connections 1/2" x 3/4", without shut-off valve eccentric 10 mm

ORA Lever mixer - bath

- Lever mixer
- TouchProtect - anti-scald protection thanks to the "double skin" principle
- Intrinsically safe against backflow
- KWC cartridge M 35-S HF
 - with ceramic discs
 - flow rate and temperature continuously variable
 - temperature limitation
- Wall connections 1/2" x 3/4", without shut-off valve eccentric 10 mm





SAP Number	Article Number
chromeline, A 230, with hand shower and hose	
125501	20.491.093.000

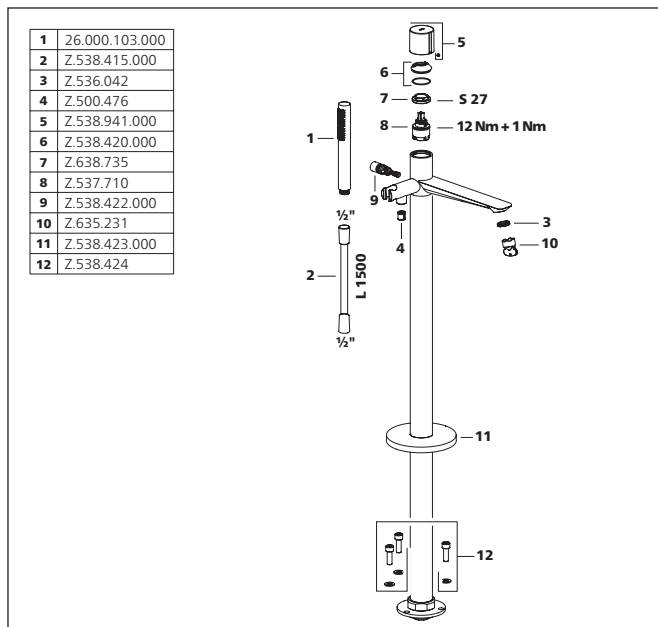
ORA Lever mixer - Tub

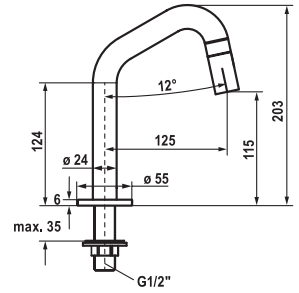
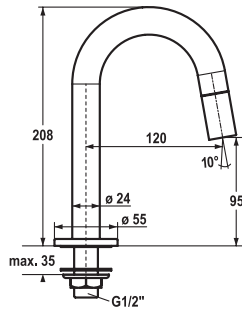
- Lever mixer
- For freestanding tub
- Integrated check valve in the hose outlet
- with shower holder
- Fixed spout
- Neoperl® SLIM®
- KWC cartridge M 35 OP
- with ceramic discs
- flow rate and temperature continuously variable
- temperature limitation
- Scope of delivery:
 - Hand shower KWC FIT-X slim 26.000.103.000
 - Shower hose 1500 mm, metal Z.538.415.000
- To be ordered separately:
 - Unit for concealed installation 39.000.602.931

Flow rate 21 l/min (3 bar)

Acoustic group II

Spray outlet: Flow rate 12 l/min (3bar)





SAP Number	Article Number
chromeline, A 120, G 1/2"	
124602	25.001.010.000

Vertical shut-off valve

- Vertical shut-off valve
- Operating handle integrated into the spout
- Fixed spout
 - Neoperl® Caché®
- Ceramic disc valve 1/2" 90°
- Connecting thread 1/2"
- Mounting hole size 22mm or 35mm

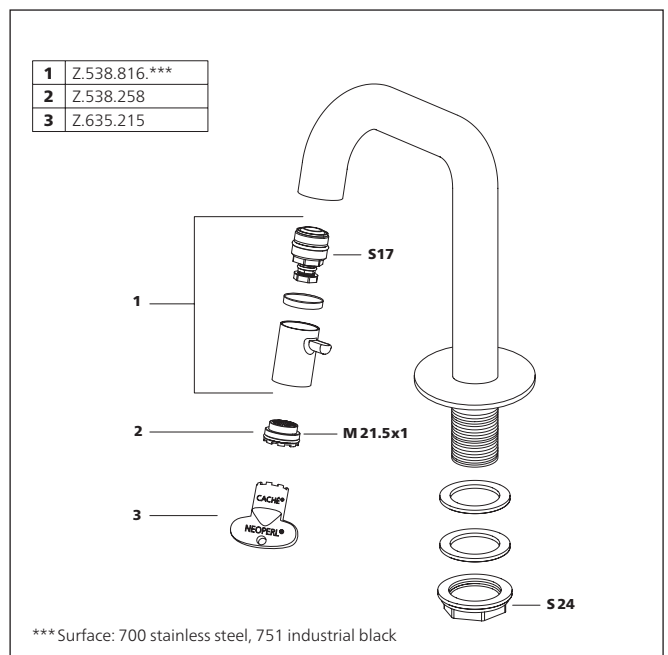
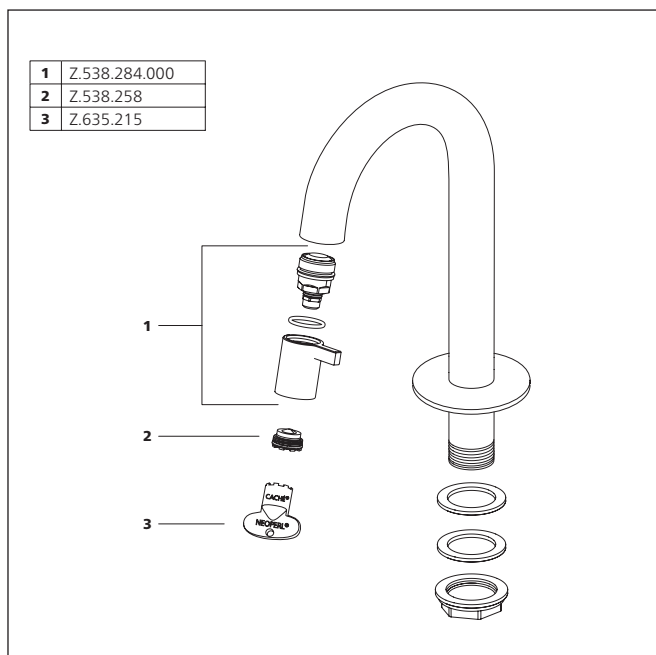
Flow rate 4 l/min (3 bar)
Acoustic group I

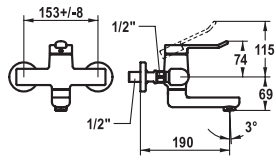
SAP Number	Article Number
stainless steel, A 125, G 1/2"	
125328	25.001.011.700
industrial black, A 125, G 1/2"	
125329	25.001.011.751

Vertical shut-off valve

- Vertical shut-off valve
- Operating handle integrated into the spout
- Fixed spout
 - Neoperl® Caché®
- Ceramic disc valve 1/2" 90°
- Connecting thread 1/2"
- Mounting hole size 22mm or 35mm

Flow rate 5 l/min (3 bar)
Acoustic group I



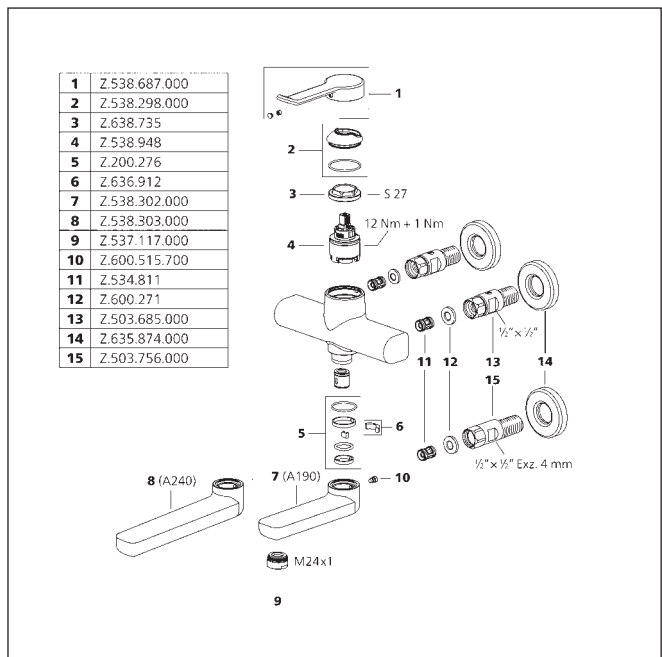


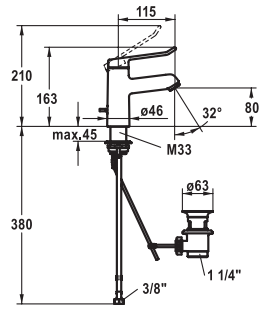
SAP Number	Article Number
chromeline, AD 153±8 mm, A 175	
125218	11.512.102.000
chromeline, AD 153±8 mm, A 225	
125219	11.512.103.000

VITA 2.0 Lever mixer - Basin

- Lever mixer
- EcoProtect - water-saving device
- Swivel spout 90°
 - adjustable with screw
 - Neoperl® Perlator® laminar
- OptimalSpace - ample space for washing or working
- KWC cartridge with safety device M 35 OP
 - with ceramic discs
 - flow rate and temperature continuously variable
- Wall connections 1/2" x 1/2",
 - without shut-off valve L 40 eccentric 4 mm

Flow rate 5.8 l/min (3 bar)
Acoustic group I



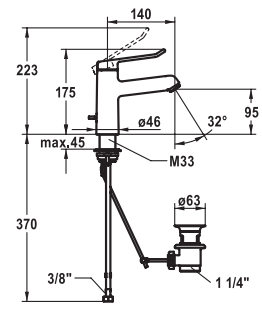


SAP Number	Article Number
chromeline, A 120, flexible connection hoses, with pop-up valve 125212	12.518.041.000FL
chromeline, A 120, flexible connection hoses, without pop-up valve 125213	12.518.051.000FL

VITA 2.0 Lever mixer - Basin

- Lever mixer
- EcoProtect - water-saving device
- Fixed spout
 - Neoperl® Perlator® laminar
- KWC cartridge with safety device M 35 OP
 - with ceramic discs
 - flow rate and temperature continuously variable
- Flexible connection hoses 3/8"
- QuickInstallation -
 - Fastening via threaded connection with locking screws
- Mounting hole size ø35 mm
- Scope of delivery:
 - KWC pop-up valve Z.538.581.000

Flow rate 5.8 l/min (3 bar)
Acoustic group I

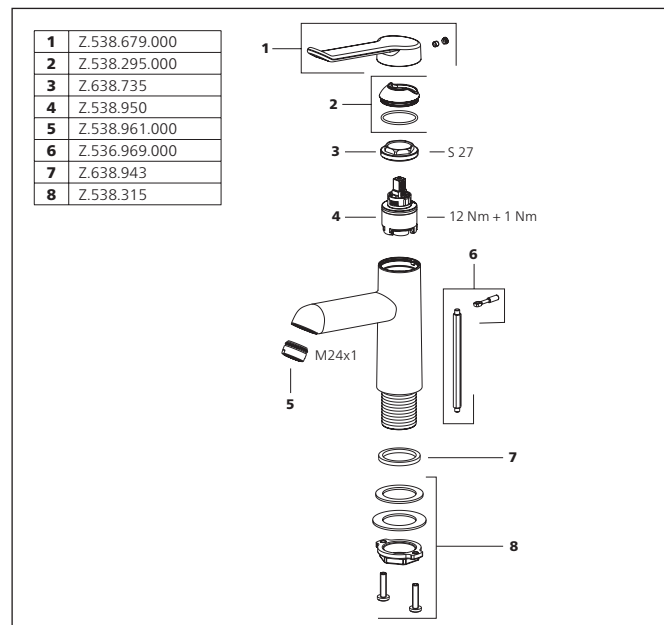
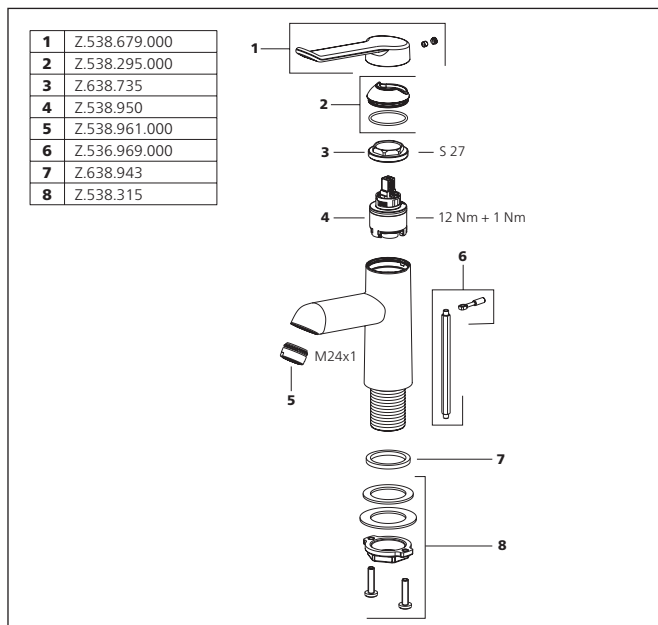


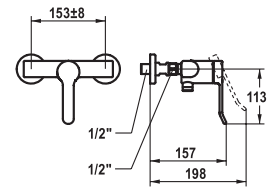
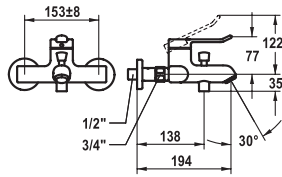
SAP Number	Article Number
chromeline, A 140, flexible connection hoses, with pop-up valve 125214	12.518.042.000FL
chromeline, A 140, flexible connection hoses, without pop-up valve 125215	12.518.052.000FL

VITA 2.0 Lever mixer - Basin

- Lever mixer
- EcoProtect - water-saving device
- Fixed spout
 - Neoperl® Perlator® laminar
- KWC cartridge with safety device M 35 OP
 - with ceramic discs
 - flow rate and temperature continuously variable
- Flexible connection hoses 3/8"
- QuickInstallation -
 - Fastening via threaded connection with locking screws
- Mounting hole size ø35 mm
- Scope of delivery:
 - KWC pop-up valve Z.538.581.000

Flow rate 5.8 l/min (3 bar)
Acoustic group I





SAP Number	Article Number
chromeline, AD 153±8 mm, A 195, without hand shower, hose and bracket	
125223	20.512.333.000

SAP Number	Article Number
chromeline, AD 153±8 mm, without hand shower and hose	
125221	21.512.330.000

VITA 2.0 Lever mixer - Tub

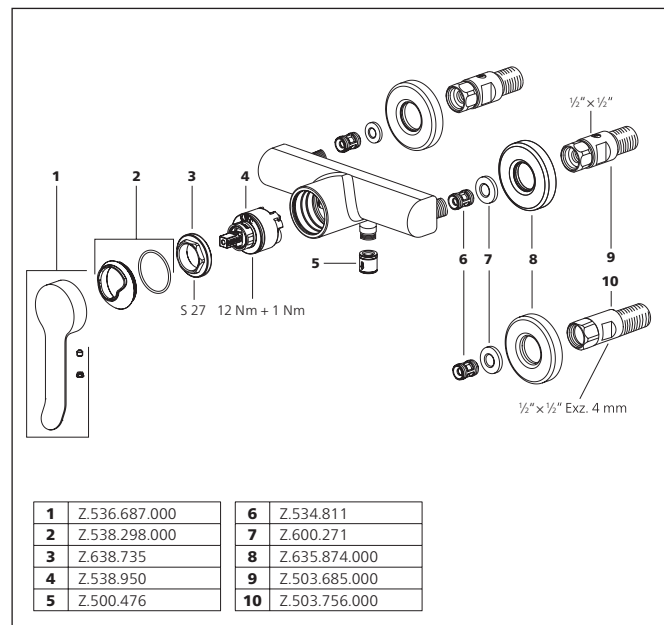
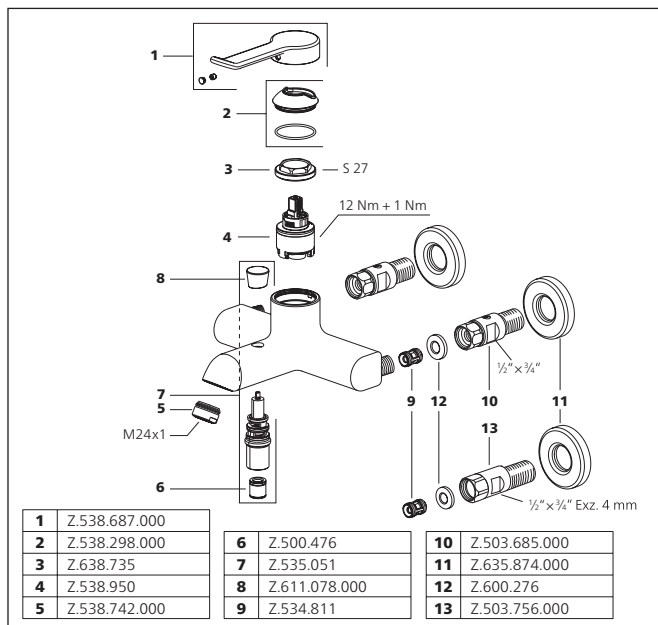
- Lever mixer
- Diverter with automatic reset
- Inherently safe against backflow
- Fixed spout
 - Neoperl® Perlator® laminar
- KWC cartridge with safety device M 35 OP
 - with ceramic discs
 - flow rate and temperature continuously variable
- Wall connections 1/2" x 3/4",
without shut-off valve L 40 eccentric 4 mm

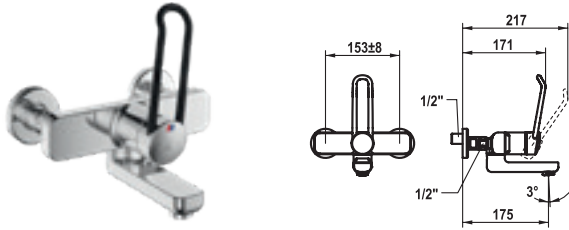
VITA 2.0 Lever mixer - Shower

- Lever mixer
- Inherently safe against backflow
- KWC cartridge with safety device M 35 OP
 - with ceramic discs
 - flow rate and temperature continuously variable
- Wall connections 1/2" x 3/4",
without shut-off valve L 40 eccentric 4 mm

Flow rate 20.4 l/min (3 bar)
Acoustic group U
Spray outlet: Flow rate 12.6 l/min (3 bar)
Spray outlet: Acoustic group II

Acoustic group II
Spray outlet: Flow rate 12.6 l/min (3 bar)



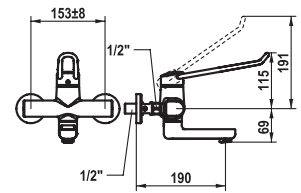
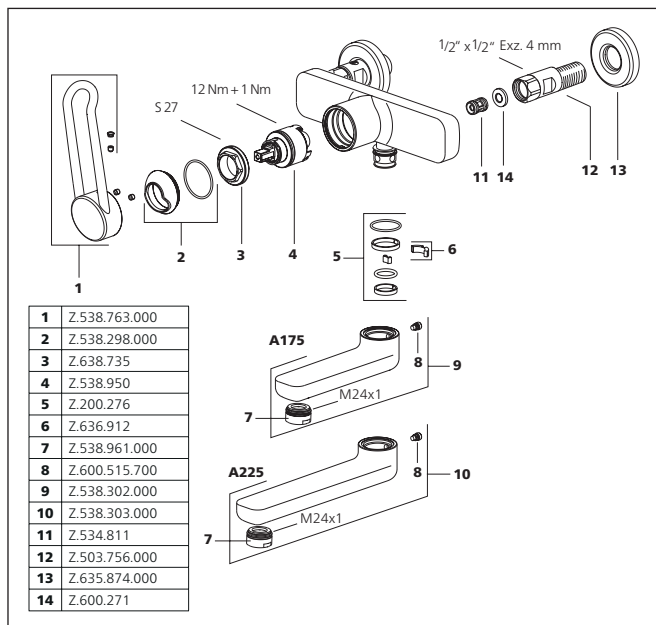


SAP Number	Article Number
chromeline, AD 153±8 mm, A 175 125232	11.522.202.000
chromeline, AD 153±8 mm, A 225 125233	11.522.203.000

VITA PRO 2.0 Lever mixer - Basin

- Lever mixer
- Operation designed for a secure grip, as well as safe and easy handling
- Ergonomic and robust operating lever, made of polyamide - to adjust the handling even better to suit personal requirements, the offset lever can be installed so that it is twisted into the cap (standard: see illustration)
- EcoProtect - water-saving device
- Swivel spout 90° - adjustable with screw - Neoperl® Perlator® laminar
- OptimalSpace - ample space for washing or working
- KWC cartridge M 35 OP - with ceramic discs - flow rate and temperature continuously variable - temperature limitation - Reinforced stopper for output volume and temperature (standard setting)
- Wall connections 1/2" x 1/2", without shut-off valve L 40 eccentric 4 mm

Flow rate 5.8 l/min (3 bar)
Acoustic group I

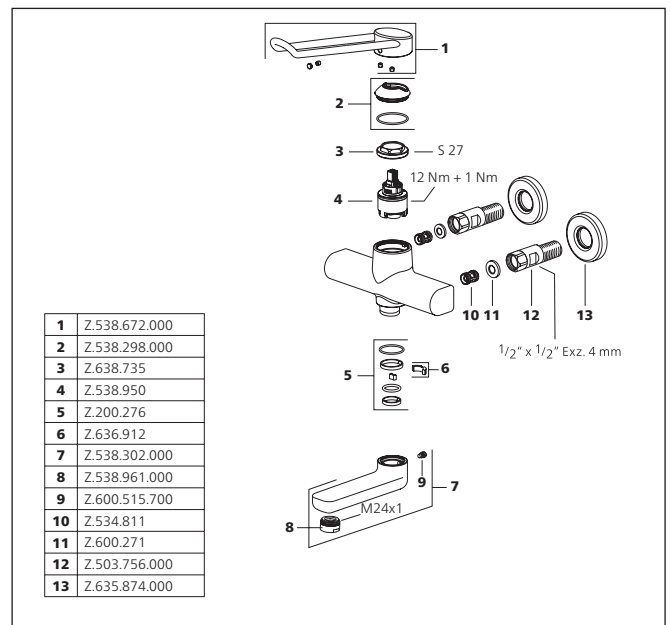


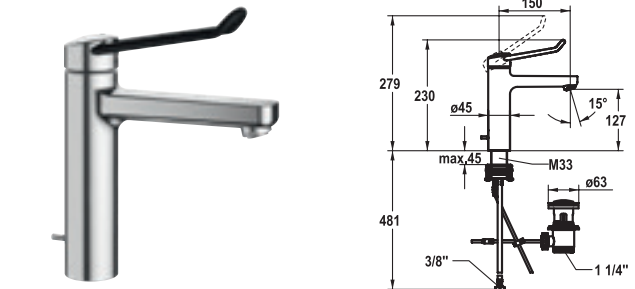
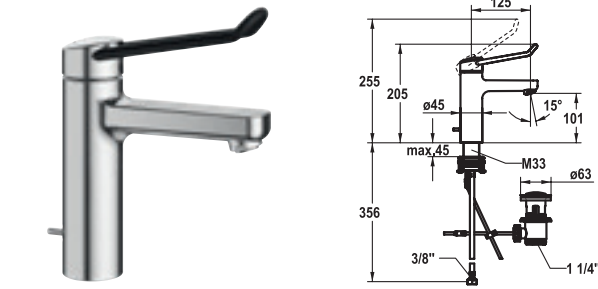
SAP Number	Article Number
chromeline, AD 153±8 mm, A 190 125236	11.522.102.000LL
chromeline, AD 153±8 mm, A 240 125237	11.522.103.000LL

VITA PRO 2.0 Lever mixer - Basin

- Lever mixer
- Operation designed for a secure grip, as well as safe and easy handling
- Ergonomic and robust operating lever, made of polyamide - to adjust the handling even better to suit personal requirements, the offset lever can be installed so that it is twisted into the cap (standard: see illustration)
- EcoProtect - water-saving device
- Swivel spout 90° - adjustable with screw - Neoperl® Perlator® laminar
- OptimalSpace - ample space for washing or working
- KWC cartridge M 35 OP - with ceramic discs - flow rate and temperature continuously variable - temperature limitation - Reinforced stopper for output volume and temperature (standard setting)
- Wall connections 1/2" x 1/2", without shut-off valve L 40 eccentric 4 mm

Flow rate 5.8 l/min (3 bar)
Acoustic group I





SAP Number	Article Number
chromeline, A 125, flexible connection hoses, with pop-up valve 125224	12.528.041.000FL

SAP Number	Article Number
chromeline, A 150, flexible connection hoses, with pop-up valve 125226	12.528.042.000FL

chromeline, A 125, flexible connection hoses, without pop-up valve 125225	12.528.051.000FL
--	------------------

chromeline, A 150, flexible connection hoses, without pop-up valve 125227	12.528.052.000FL
--	------------------

VITA PRO 2.0 Lever mixer - Basin

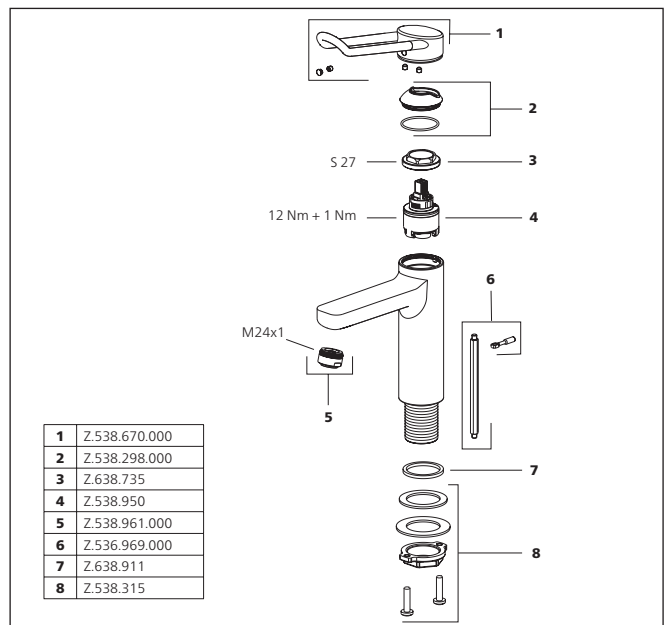
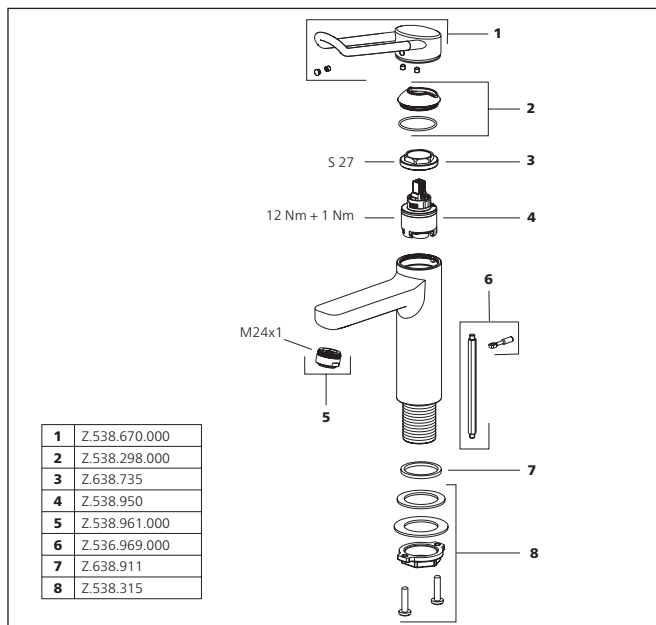
VITA PRO 2.0 Lever mixer - Basin

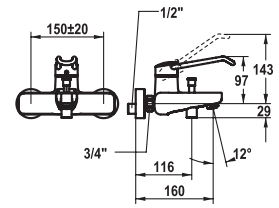
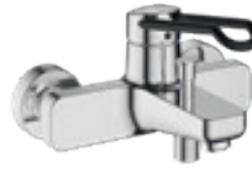
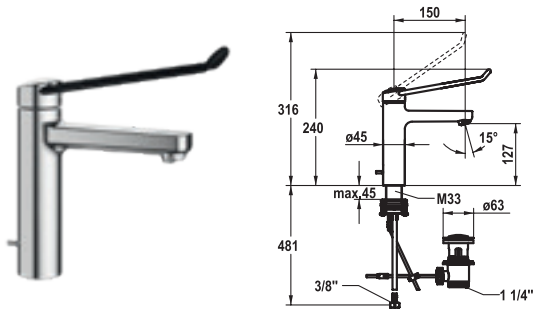
- Lever mixer
- Operation designed for a secure grip, as well as safe and easy handling
- Ergonomic and robust operating lever, made of polyamide - to adjust the handling even better to suit personal requirements, the offset lever can be installed so that it is twisted into the cap (standard: see illustration)
- EcoProtect - water-saving device
- Fixed spout
 - Neoperl® Perlator® laminar
- KWC cartridge M 35 OP
 - with ceramic discs
 - flow rate and temperature continuously variable
 - temperature limitation
 - Reinforced stopper for output volume and temperature (standard setting)
- Flexible connection hoses 3/8"
- QuickInstallation - Fastening via threaded connection with locking screws
- Mounting hole size ø35 mm
- Scope of delivery:
 - KWC pop-up valve Z.538.581.000

- Lever mixer
- Operation designed for a secure grip, as well as safe and easy handling
- Ergonomic and robust operating lever, made of polyamide - to adjust the handling even better to suit personal requirements, the offset lever can be installed so that it is twisted into the cap (standard: see illustration)
- EcoProtect - water-saving device
- Fixed spout
 - Neoperl® Perlator® laminar
- KWC cartridge M 35 OP
 - with ceramic discs
 - flow rate and temperature continuously variable
 - temperature limitation
 - Reinforced stopper for output volume and temperature (standard setting)
- Flexible connection hoses 3/8"
- QuickInstallation - Fastening via threaded connection with locking screws
- Mounting hole size ø35 mm
- Scope of delivery:
 - KWC pop-up valve Z.538.581.000

Flow rate 5.8 l/min (3 bar)
Acoustic group I

Flow rate 5.8 l/min (3 bar)
Acoustic group I





SAP Number	Article Number
chromeline, A 150, flexible connection hoses, with pop-up valve	
125228	12.528.042.000LLFL

chromeline, A 150, flexible connection hoses, without pop-up valve	
125229	12.528.052.000LLFL

SAP Number	Article Number
chromeline, A180, AD150±20, without hand shower, hose and bracket	
125241	20.522.333.000

VITA PRO 2.0 Lever mixer - Basin

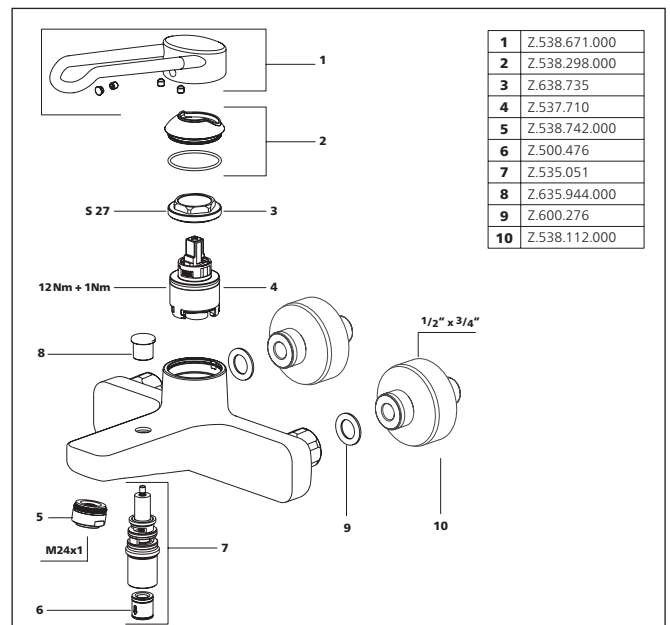
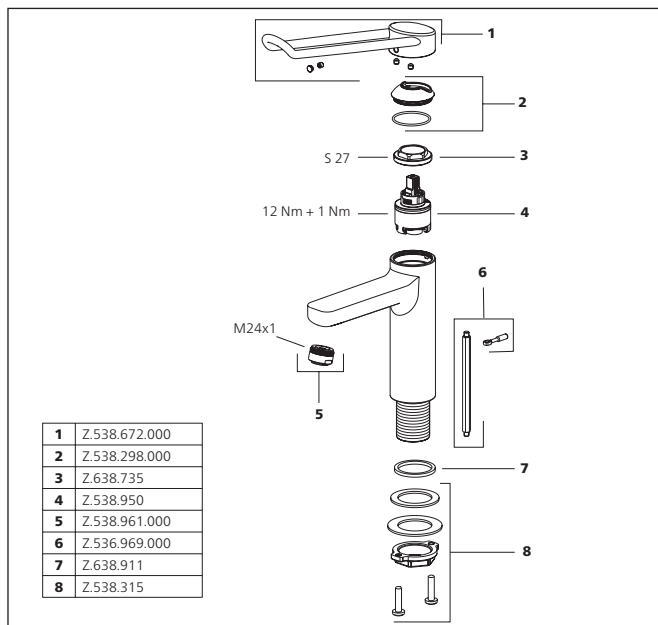
- Lever mixer
- Operation designed for a secure grip, as well as safe and easy handling
- Ergonomic and robust operating lever, made of polyamide - to adjust the handling even better to suit personal requirements, the offset lever can be installed so that it is twisted into the cap (standard: see illustration)
- EcoProtect - water-saving device
- Fixed spout
- Neoperl® Perlator® laminar
- KWC cartridge M 35 OP
 - with ceramic discs
 - flow rate and temperature continuously variable
 - temperature limitation
 - Reinforced stopper for output volume and temperature (standard setting)
- Flexible connection hoses 3/8"
- QuickInstallation - Fastening via threaded connection with locking screws
- Mounting hole size ø35 mm
- Scope of delivery:
 - KWC pop-up valve Z.538.581.000

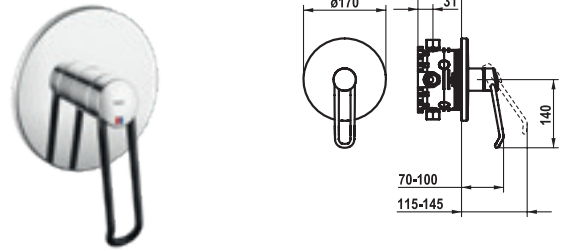
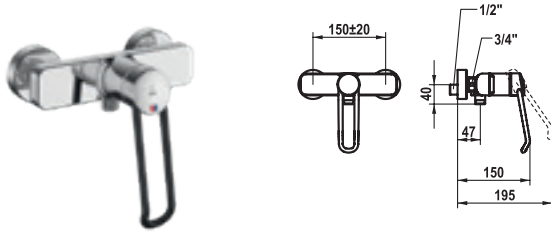
VITA PRO 2.0 Lever mixer

- Lever mixer
- Operation designed for a secure grip, as well as safe and easy handling
- Ergonomic and robust operating lever, made of polyamide - to adjust the handling even better to suit personal requirements, the offset lever can be installed so that it is twisted into the cap (standard: see illustration)
- Diverter with automatic reset
- Intrinsically safe against backflow
- Fixed spout
 - Neoperl® Perlator® laminar
- KWC cartridge M 35 OP
 - with ceramic discs
 - flow rate and temperature continuously variable
 - temperature limitation
 - Reinforced stopper for output volume and temperature (standard setting)
- Wall connections 1/2" x 3/4", without shut-off valve eccentric 10 mm

Flow rate 20.4 l/min (3 bar)
Acoustic group U
Spray outlet: Flow rate 12.6 l/min (3 bar)
Spray outlet: Acoustic group II

Flow rate 5.8 l/min (3 bar)
Acoustic group I





SAP Number	Article Number
chromeline, A180, AD150±20, without hand shower, hose and bracket	
125239	21.522.330.000

SAP Number	Article Number
chromeline, Trim kit	
125242	21.524.500.000

VITA PRO 2.0 Lever mixer - shower

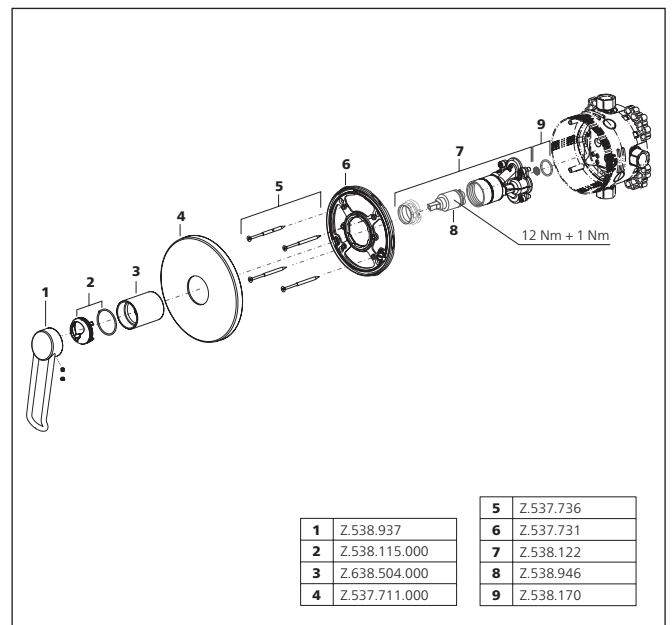
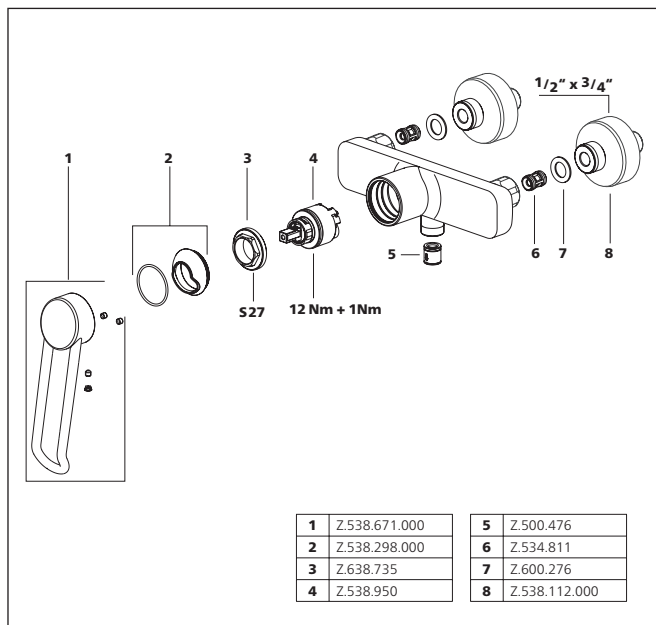
- Lever mixer
- Operation designed for a secure grip, as well as safe and easy handling
- Ergonomic and robust operating lever, made of polyamide
 - to adjust the handling even better to suit personal requirements, the offset lever can be installed so that it is twisted into the cap (standard: see illustration)
- Intrinsically safe against backflow
- KWC cartridge M 35 OP
 - with ceramic discs
 - flow rate and temperature continuously variable
 - temperature limitation
 - Reinforced stopper for output volume and temperature (standard setting)
- Wall connections 1/2" x 3/4", without shut-off valve eccentric 10 mm

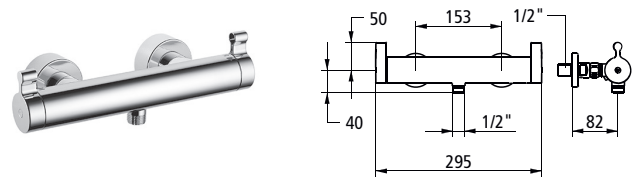
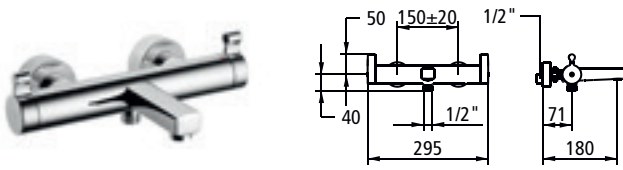
Flow rate 16.5 l/min (3 bar)
Acoustic group II

VITA PRO 2.0 Trim kit - Lever mixer - Shower

- Trim kit with function unit
- Operation designed for a secure grip, as well as safe and easy handling
- Ergonomic and robust operating lever, made of polyamide
 - to adjust the handling even better to suit personal requirements, the offset lever can be installed so that it is twisted into the cap (standard: see illustration)
- Outflow top or below
- KWC cartridge M 35 H
 - with ceramic discs
 - flow rate and temperature continuously variable
- Scope of delivery:
 - Function unit, lever, cap, sleeve, cover plate, holder for escutcheon
 - Fastening of the cover plate without screws
- To be ordered separately:
 - Unit for concealed installation KWC BLUEBOX® 1/2", without shut-off valve, 39.999.900.931
 - 3/4" (1/2"), with shut-off valve, 39.999.910.931

Acoustic group I





SAP Number	Article Number
chromeline, A190, AD150±20	
124719	26.529.930.000

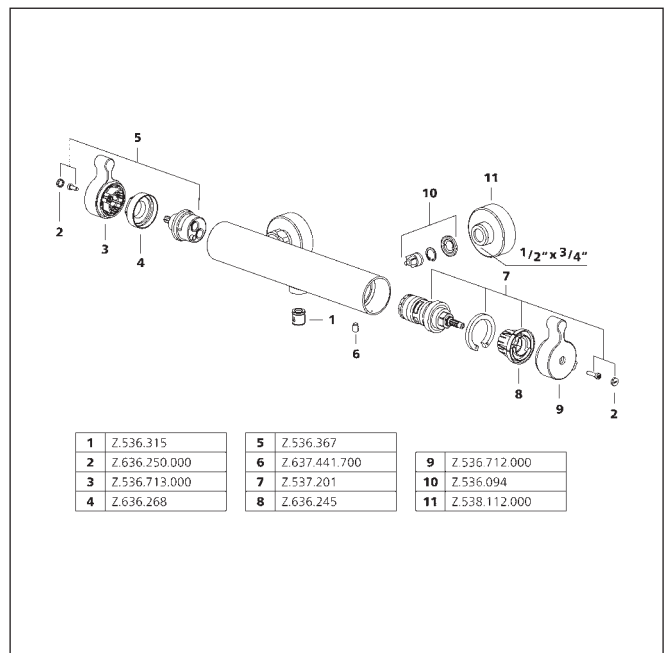
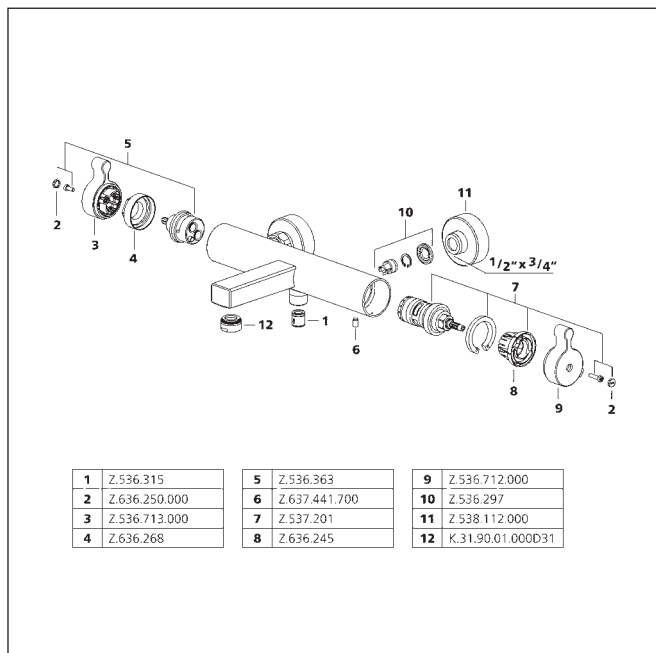
SAP Number	Article Number
chromeline, AD150±20	
124715	26.529.830.000

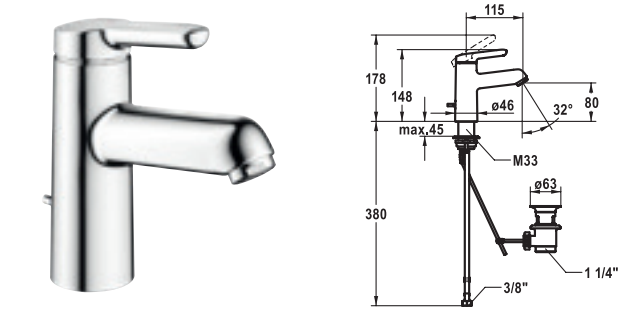
VITA PRO 2.0 Thermostat mixer - bath

- Thermostat mixer
- Operation designed for a secure grip, as well as safe and easy handling
- EcoProtect - water-saving device
- TouchProtect - anti-scald protection thanks to the "double skin" principle
- SkinProtect - Safety stop prevents scalding
- Turning handle to control flow and for diverter
- Inherently safe against backflow
- Fixed spout
 - Neoperl® Cascade®
- Thermostatic precision control unit
 - constant water temperature (even when mains pressure fluctuates)
 - fast response
- Wall connections 1/2" x 3/4", without shut-off valve eccentric 10 mm

VITA PRO 2.0 Thermostat mixer - bath

- Thermostat mixer
- EcoProtect - water-saving device
- TouchProtect - anti-scald protection thanks to the "double skin" principle
- SkinProtect - Safety stop prevents scalding
- Turning handle to control flow
- Inherently safe against backflow
- Thermostatic precision control unit
 - constant water temperature (even when mains pressure fluctuates)
 - fast response
- Wall connections 1/2" x 3/4", without shut-off valve eccentric 10 mm





SAP Number Article Number

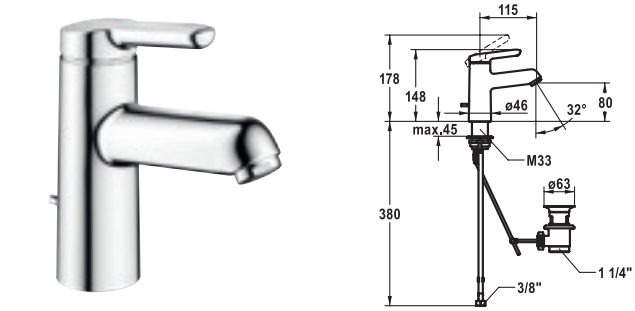
chromeline, A 115,
flexible connection hoses, with pop-up valve
125143 12.478.041.000FL

chromeline, A 115,
flexible connection hoses, without pop-up valve
125144 12.478.051.000FL

WAMAS 2.0 Lever mixer - Basin

- Lever mixer
- EcoProtect - water-saving device
- Fixed spout
 - Neoperl® Perlator® SSR, swivelling jet regulator
- KWC cartridge M 35 OP
 - with ceramic discs
 - flow rate and temperature continuously variable
 - temperature limitation
- Flexible connection hoses 3/8"
- QuickInstallation -
 - Fastening via threaded connection with locking screws
- Mounting hole size ø35 mm
- Scope of delivery:
 - KWC pop-up valve Z.538.581.000

Flow rate 5 l/min (3 bar)
Acoustic group I



SAP Number Article Number

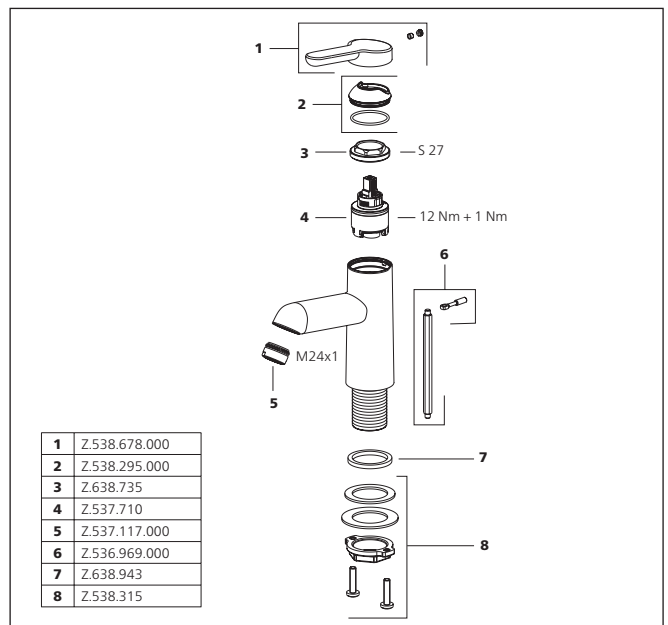
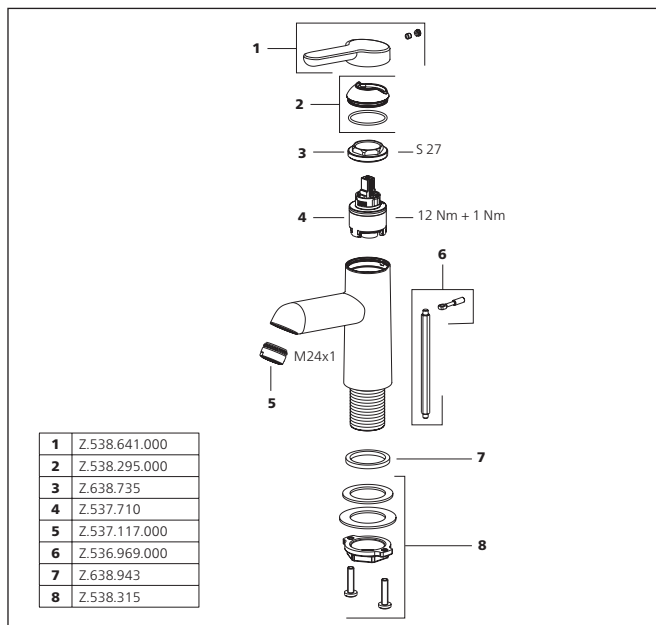
chromeline, A 115,
flexible connection hoses, with pop-up valve
125146 12.478.031.000FL

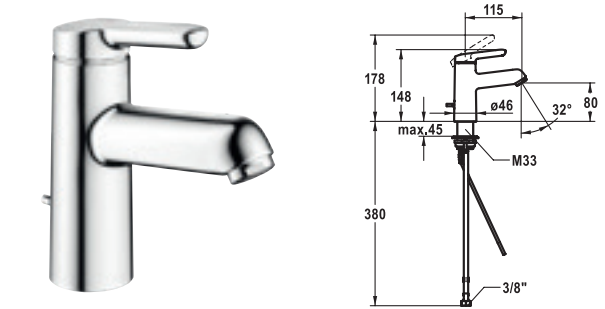
chromeline, A 115,
flexible connection hoses, without pop-up valve
125147 12.478.071.000FL

WAMAS 2.0 Lever mixer - Basin - CoolFix

- Lever mixer
- CoolFix - Cold water flow with a centered lever
- EcoProtect - water-saving device
- Fixed spout
 - Neoperl® Perlator® SSR, swivelling jet regulator
- KWC cartridge M 35 OP
 - with ceramic discs
 - flow rate and temperature continuously variable
 - temperature limitation
- Flexible connection hoses 3/8"
- QuickInstallation -
 - Fastening via threaded connection with locking screws
- Mounting hole size ø35 mm
- Scope of delivery:
 - KWC pop-up valve Z.538.581.000

Flow rate 5 l/min (3 bar)
Acoustic group I





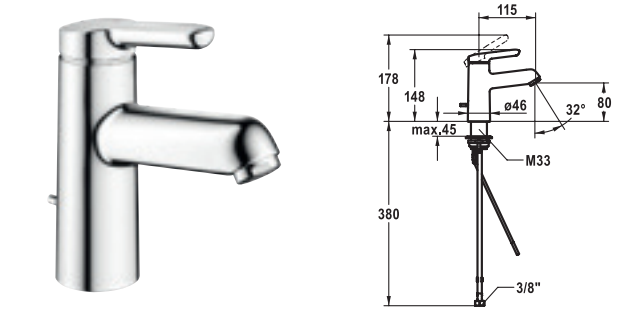
SAP Number **Article Number**

chromeline, A 115,
flexible connection hoses, without pop-up valve, with bar
125145 12.478.041.000FLGE

WAMAS 2.0 Lever mixer

- Lever mixer
- EcoProtect - water-saving device
- Fixed spout
 - Neoperl® Perlator® SSR, swivelling jet regulator
- KWC cartridge M 35 OP
 - with ceramic discs
 - flow rate and temperature continuously variable
 - temperature limitation
- Flexible connection hoses 3/8"
- QuickInstallation -
 - Fastening via threaded connection with locking screws
- Mounting hole size ø35 mm
- Scope of delivery:
 - KWC pop-up valve Z.538.581.000

Flow rate 5 l/min (3 bar)
Acoustic group I



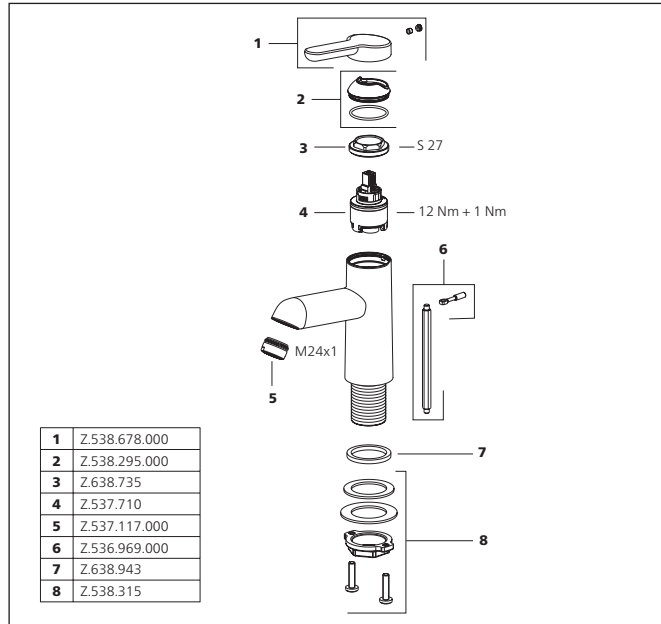
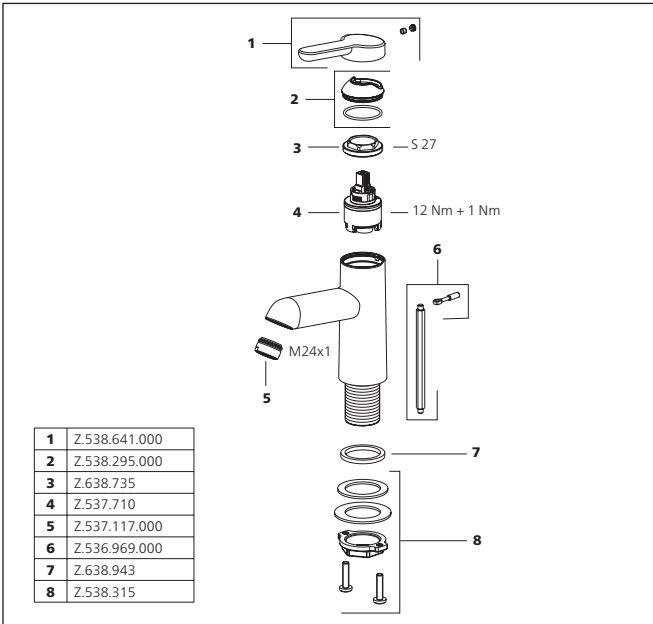
SAP Number **Article Number**

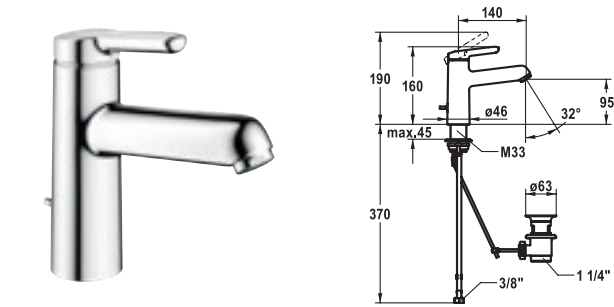
chromeline, A 115,
flexible connection hoses, without pop-up valve, with bar
125148 12.478.031.000FLGE

WAMAS 2.0 Lever mixer - Basin - CoolFix

- Lever mixer
- CoolFix - Cold water flow with a centered lever
- EcoProtect - water-saving device
- Fixed spout
 - Neoperl® Perlator® SSR, swivelling jet regulator
- KWC cartridge M 35 OP
 - with ceramic discs
 - flow rate and temperature continuously variable
 - temperature limitation
- Flexible connection hoses 3/8"
- QuickInstallation -
 - Fastening via threaded connection with locking screws
- Mounting hole size ø35 mm

Flow rate 5 l/min (3 bar)
Acoustic group I





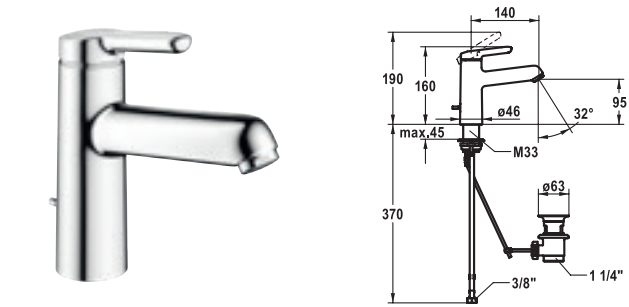
SAP Number	Article Number
chromeline, A 140, flexible connection hoses, with pop-up valve 125149	12.478.042.000FL

chromeline, A 140, flexible connection hoses, without pop-up valve 125150	12.478.052.000FL
--	------------------

WAMAS 2.0 Lever mixer - Basin

- Lever mixer
- EcoProtect - water-saving device
- Fixed spout
 - Neoperl® Perlator® SSR, swivelling jet regulator
- KWC cartridge M 35 OP
 - with ceramic discs
 - flow rate and temperature continuously variable
 - temperature limitation
- Flexible connection hoses 3/8"
- QuickInstallation -
 - Fastening via threaded connection with locking screws
- Mounting hole size ø35 mm
- Scope of delivery:
 - KWC pop-up valve Z.538.581.000

Flow rate 5 l/min (3 bar)
Acoustic group I



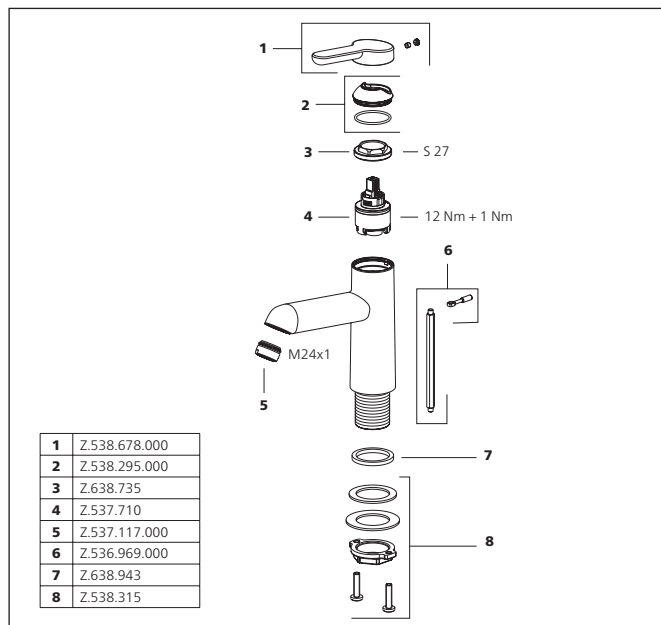
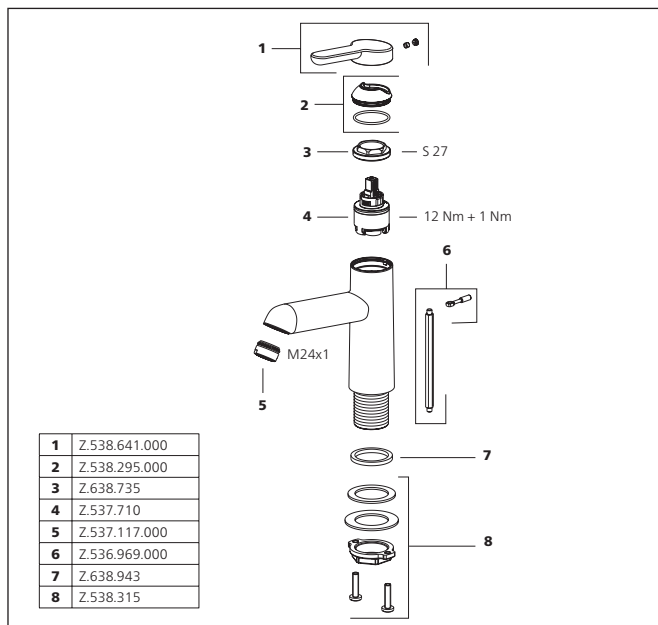
SAP Number	Article Number
chromeline, A 140, flexible connection hoses, with pop-up valve 125152	12.478.032.000FL

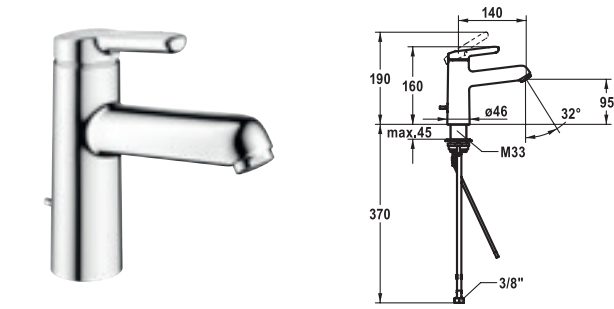
chromeline, A 140, flexible connection hoses, without pop-up valve 125153	12.478.072.000FL
--	------------------

WAMAS 2.0 Lever mixer - Basin - CoolFix

- Lever mixer
- CoolFix - Cold water flow with a centered lever
- EcoProtect - water-saving device
- Fixed spout
 - Neoperl® Perlator® SSR, swivelling jet regulator
- KWC cartridge M 35 OP
 - with ceramic discs
 - flow rate and temperature continuously variable
 - temperature limitation
- Flexible connection hoses 3/8"
- QuickInstallation -
 - Fastening via threaded connection with locking screws
- Mounting hole size ø35 mm
- Scope of delivery:
 - KWC pop-up valve Z.538.581.000

Flow rate 5 l/min (3 bar)
Acoustic group I





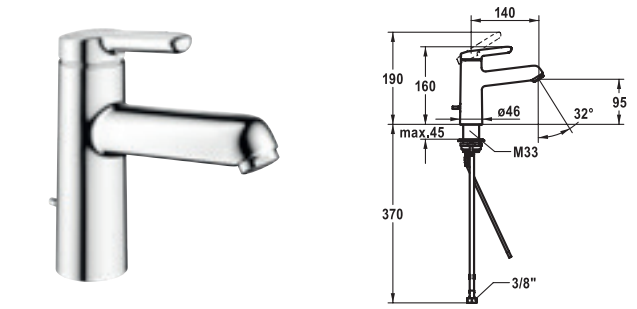
SAP Number **Article Number**

chromeline, A 140,
flexible connection hoses, without pop-up valve, with bar
125151 12.478.042.000FLGE

WAMAS 2.0 Lever mixer - Basin

- Lever mixer
- EcoProtect - water-saving device
- Fixed spout
 - Neoperl® Perlator® SSR, swivelling jet regulator
- KWC cartridge M 35 OP
 - with ceramic discs
 - flow rate and temperature continuously variable
 - temperature limitation
- Flexible connection hoses 3/8"
- QuickInstallation -
 - Fastening via threaded connection with locking screws
- Mounting hole size ø35 mm

Flow rate 5 l/min (3 bar)
Acoustic group I



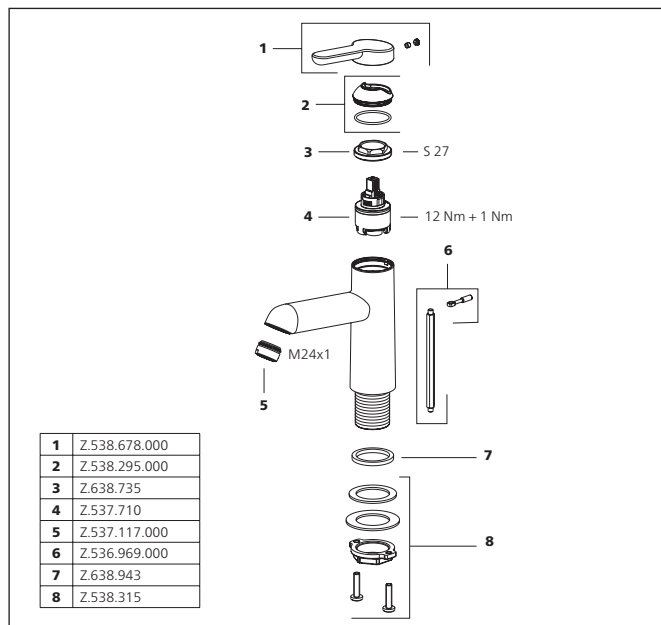
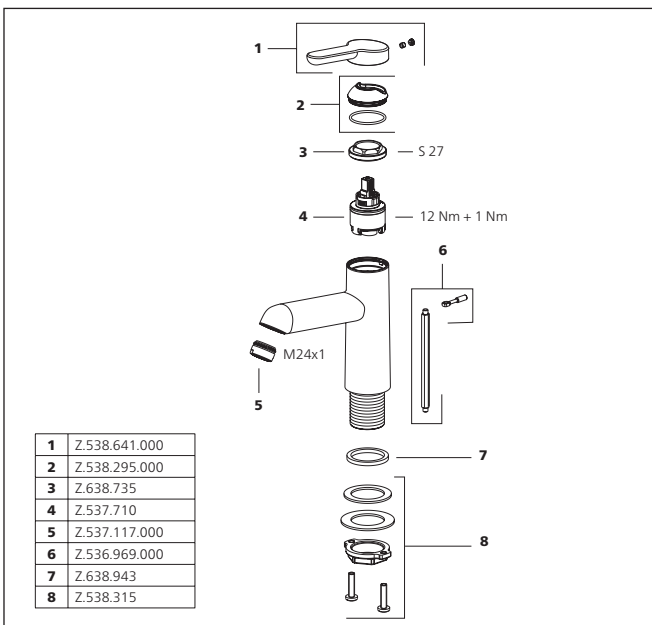
SAP Number **Article Number**

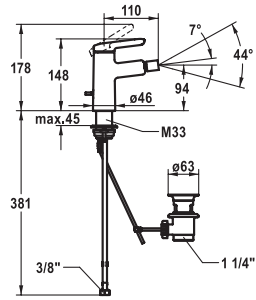
chromeline, A 140,
flexible connection hoses, without pop-up valve, with bar
125154 12.478.032.000FLGE

WAMAS 2.0 Lever mixer - Basin - CoolFix

- Lever mixer
- CoolFix - Cold water flow with a centered lever
- EcoProtect - water-saving device
- Fixed spout
 - Neoperl® Perlator® SSR, swivelling jet regulator
- KWC cartridge M 35 OP
 - with ceramic discs
 - flow rate and temperature continuously variable
 - temperature limitation
- Flexible connection hoses 3/8"
- QuickInstallation -
 - Fastening via threaded connection with locking screws
- Mounting hole size ø35 mm

Flow rate 5 l/min (3 bar)
Acoustic group I



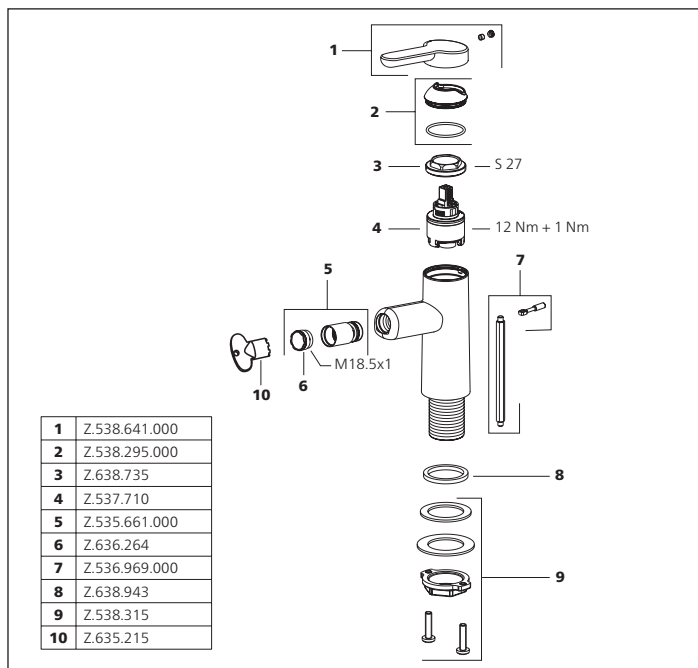


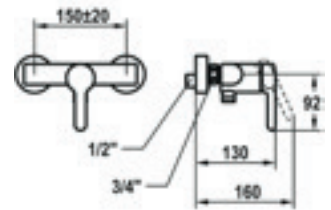
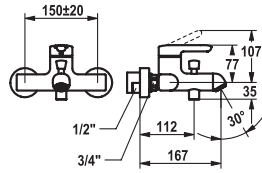
SAP Number	Article Number
chromeline, A 110, flexible connection hoses, with pop-up valve	
125162	13.478.041.000FL

WAMAS 2.0 Lever mixer - Bidet

- Lever mixer
- EcoProtect - water-saving device
- Fixed spout
 - ball joint aerator Neoperl® Caché®
- KWC cartridge M 35 OP
 - with ceramic discs
 - flow rate and temperature continuously variable
 - temperature limitation
- Flexible connection hoses 3/8"
- QuickInstallation -
 - Fastening via threaded connection with locking screws
- Mounting hole size ø35 mm
- Scope of delivery:
 - KWC pop-up valve Z.538.581.000

Flow rate 5 l/min (3 bar)
Acoustic group I





SAP Number	Article Number
chromeline, AD 150±20 mm, A 195, without hand shower and hose	
125518	20.472.333.000

WAMAS 2.0 Lever mixer • Tub

- Lever mixer
- Diverter with automatic reset
- Intrinsically safe against backflow
- Fixed spout
 - Neoperl® Perlator® SSR, swivelling jet regulator
- KWC cartridge M 35 OP
 - with ceramic discs
 - flow rate and temperature continuously variable
 - temperature limitation
- Wall connections 1/2" x 3/4", without shut-off valve eccentric 10 mm

Flow rate 20 l/min (3 bar)

Acoustic group II

Spray outlet: Flow rate 12 l/min (3bar)

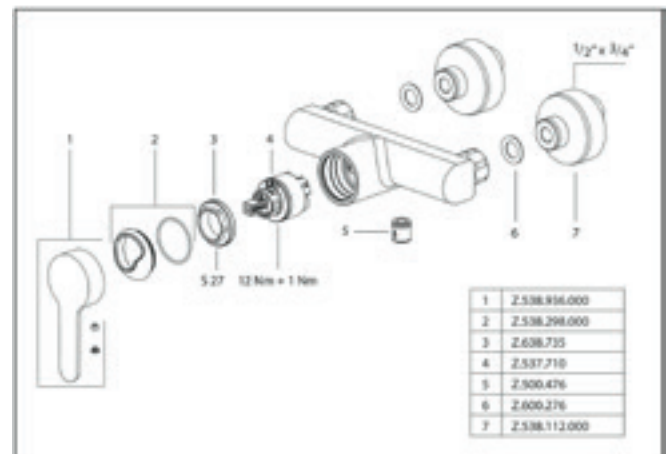
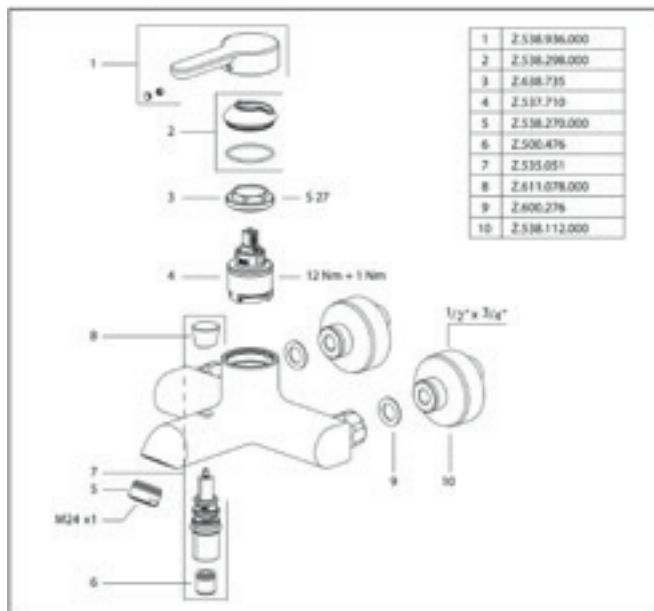
SAP Number	Article Number
chromeline, AD 150±20 mm, without hand shower and hose	
125517	21.472.330.000

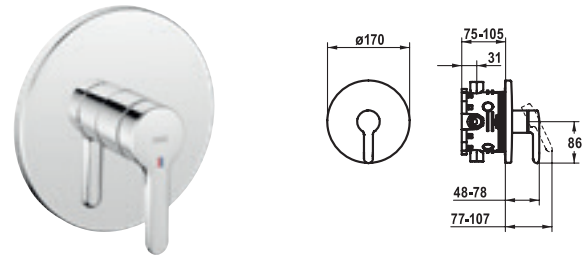
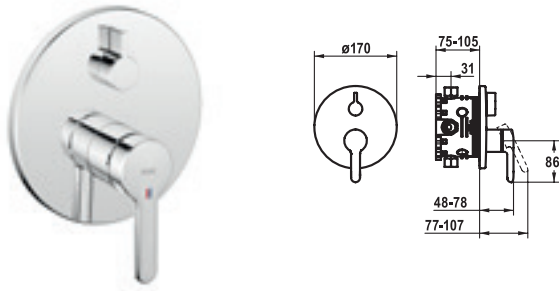
WAMAS 2.0 Lever mixer - Shower

- Lever mixer
- Intrinsically safe against backflow
- KWC cartridge M 35 OP
 - with ceramic discs
 - flow rate and temperature continuously variable
 - temperature limitation
- Wall connections 1/2" x 3/4", without shut-off valve eccentric 10 mm

Acoustic group II

Spray outlet: Flow rate 12 l/min (3bar)





SAP Number	Article Number
chromeline, Trim kit 125172	20.474.500.000
chromeline, Trim kit, with vacuum breaker 125173	20.474.510.000

SAP Number	Article Number
chromeline, Trim kit 125171	21.474.500.000

WAMAS 2.0 Trim kit - Lever mixer - Tub

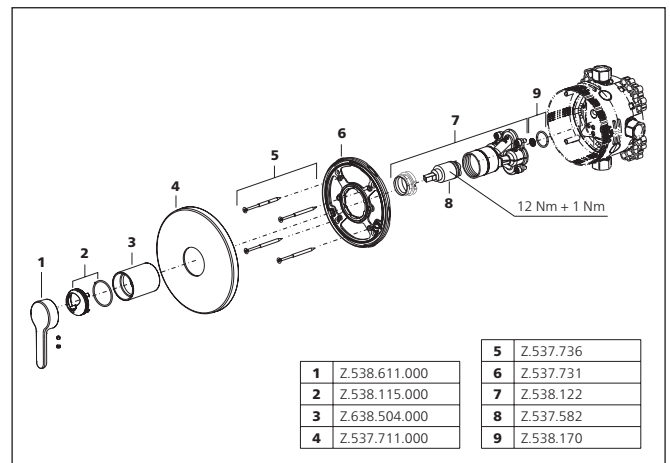
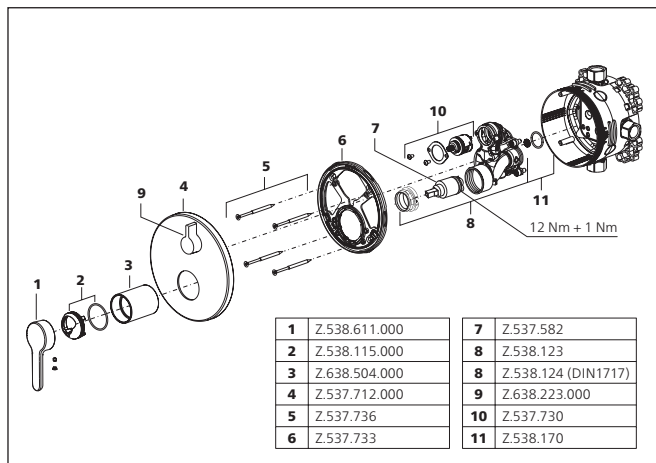
- Trim kit with function unit
- Outflow top and below
- Turning handle for diverter
- KWC cartridge M 35 H
 - with ceramic discs
 - flow rate and temperature continuously variable
- Scope of delivery:
 - Function unit, lever, cap, sleeve, cover plate, holder for escutcheon, diverter
 - Fastening of the cover plate without screws
- To be ordered separately:
 - Unit for concealed installation KWC BLUEBOX® 1/2", without shut-off valve, 39.999.900.931
 - 3/4" (1/2"), with shut-off valve, 39.999.910.931

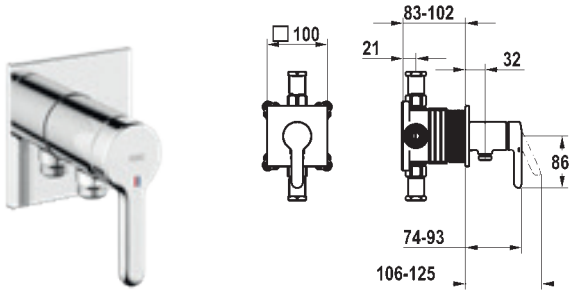
WAMAS 2.0 Trim kit - Lever mixer - Shower

- Trim kit with function unit
- Outflow top or below
- KWC cartridge M 35 H
 - with ceramic discs
 - flow rate and temperature continuously variable
- Scope of delivery:
 - Function unit, lever, cap, sleeve, cover plate, holder for escutcheon
 - Fastening of the cover plate without screws
- To be ordered separately:
 - Unit for concealed installation KWC BLUEBOX® 1/2", without shut-off valve, 39.999.900.931
 - 3/4" (1/2"), with shut-off valve, 39.999.910.931

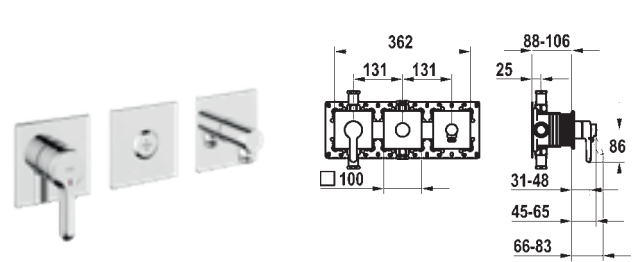
Acoustic group I

Acoustic group I





NEW



NEW

SAP Number	Article Number
chromeline, trim kit, with safety device DIN EN 1717	
125334	21.474.550.000

Trim kit, with safety device DIN EN 1717 – Lever mixer – Shower

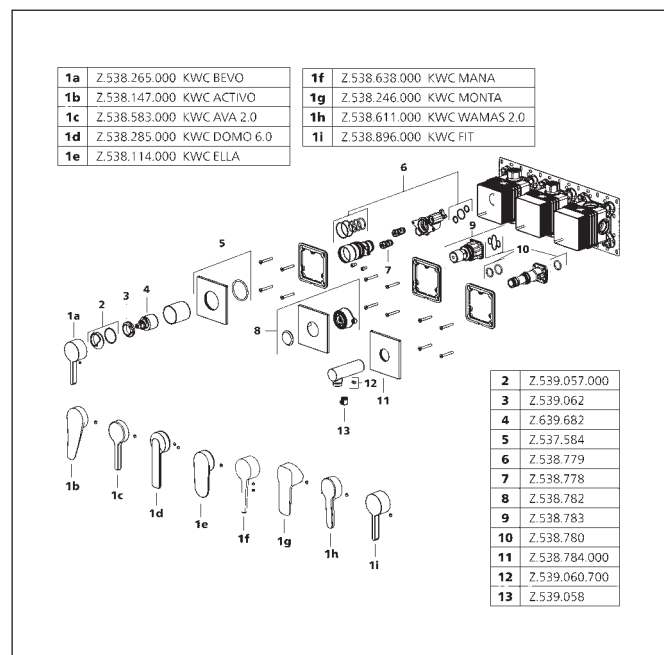
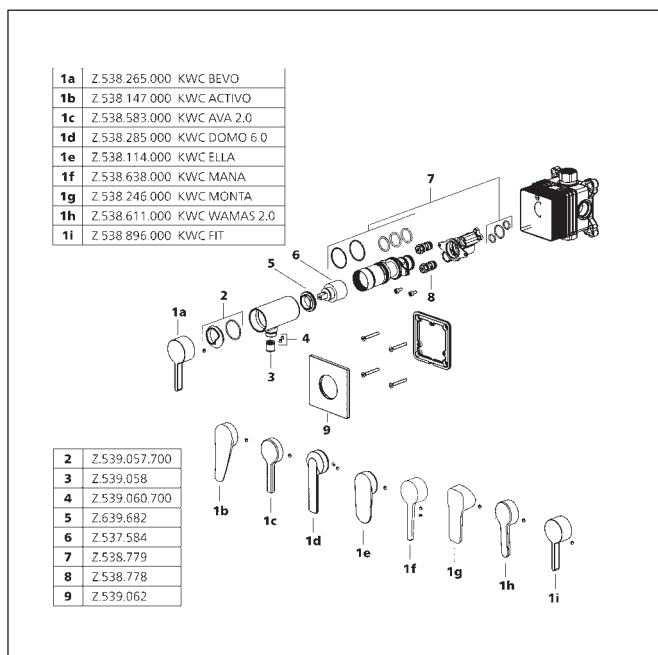
- Trim kit with function unit KWC HOMEBOX
- Outflow with integrated hose connection
- KWC cartridge M 35-S HF
 - with ceramic discs
 - flow rate and temperature continuously variable
- Scope of delivery:
 - Lever mixer unit with integrated hose connection
 - Fastening of the cover plate without screws
- To be ordered separately:
 - Unit for concealed installation KWC HOMEBOX Lever mixer 1 Consumers 39.006.251.931

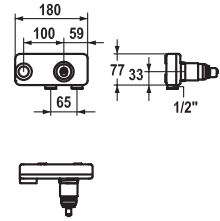
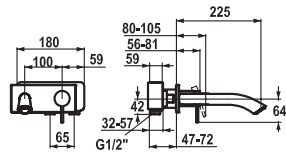
SAP Number	Article Number
chromeline, trim kit, with safety device DIN EN 1717	
125337	20.474.550.000

Trim kit, with safety device DIN EN 1717 – Lever mixer – Tub

- Trim kit with function unit KWC HOMEBOX
- Outflow with integrated hose connection above or below for the second consumer with CHOICE diverter without automatic reset
- KWC cartridge M 35-S HF
 - with ceramic discs
 - flow rate and temperature continuously variable
- Scope of delivery:
 - Lever mixer unit
 - Diverter unit
 - Hose connection unit
 - Fastening of the cover plate without screws
- To be ordered separately:
 - Unit for concealed installation KWC HOMEBOX Thermostatic/ lever mixer 2 consumers 39.006.261.931

Acoustic group I





SAP Number	Article Number
chromeline, A 225, Trim kit 123335	11.202.034.000
chromeline, A 175, Trim kit 123339	11.202.033.000

SAP Number	Article Number
chromeline, Concealed unit 122047	39.151.400.931

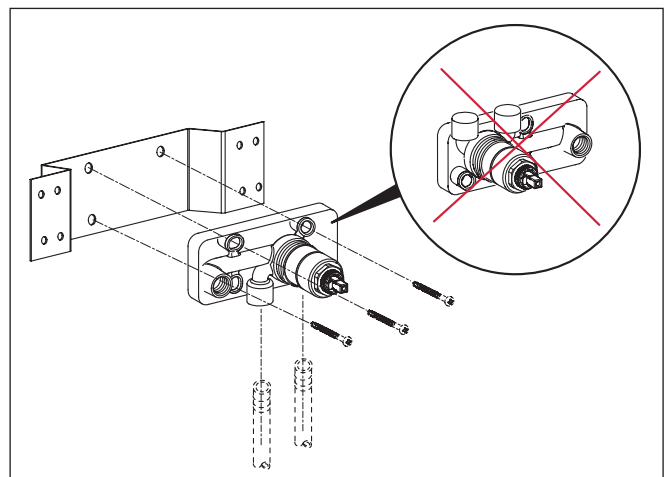
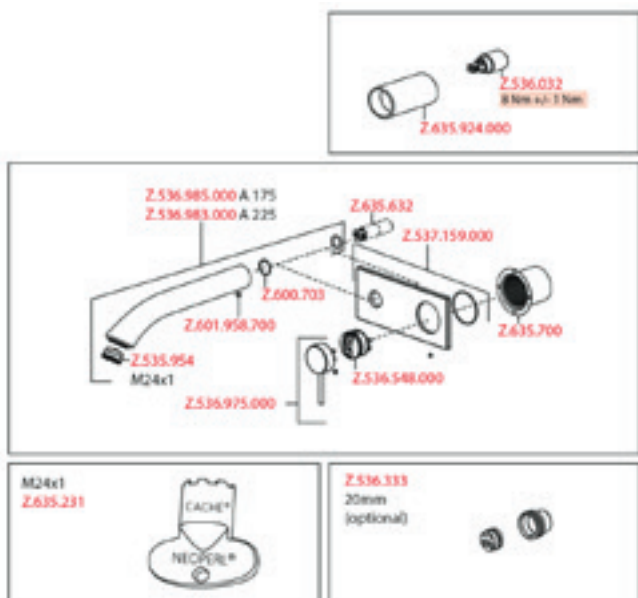
ZOE Trim kit - Lever mixer - Basin

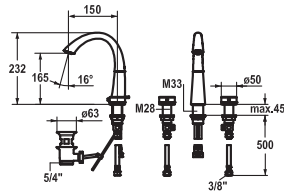
- Trim kit Lever mixer
- Fixed spout
 - Neoperl® Caché®
- OptimalSpace - ample space for washing or working
- KWC cartridge S 25
 - with ceramic discs
 - flow rate and temperature continuously variable
- To be ordered separately:
 - Unit for concealed installation 1/2" 39.193.400.931
- To be ordered separately (optional or if necessary):
 - Extension set 20 mm Z.536.333

Concealed unit

- Concealed unit wall two hole
- Connecting thread 1/2"
- To be ordered separately:
 - Installation kit Z.536.828
- Suitable for:
 - KWC ONO

Flow rate 5 l/min (3 bar)
Acoustic group I



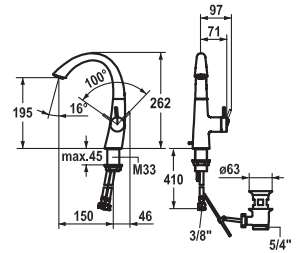


SAP Number	Article Number
chromeline, A 150, flexible connection hoses, with pop-up valve 123347	12.203.151.000FL
chromeline, A 150, flexible connection hoses, without pop-up valve 123349	12.203.161.000FL

ZOE Two-handle mixer - Basin

- Two-handle mixer
- 3-hole
- EcoProtect - water-saving device
- Swivel spout 90°
- Neoperl® Caché®
- OptimalSpace - ample space for washing or working
- Flexible connection hoses 3/8"
- Fastening by means of threaded sleeve M33 x 1.5 / M28 x 1.5
- Mounting hole size ø35 mm / ø30 mm
- Scope of delivery:
- KWC pop-up valve Z.538.581.000

Flow rate 6 l/min (3 bar)
Acoustic group I

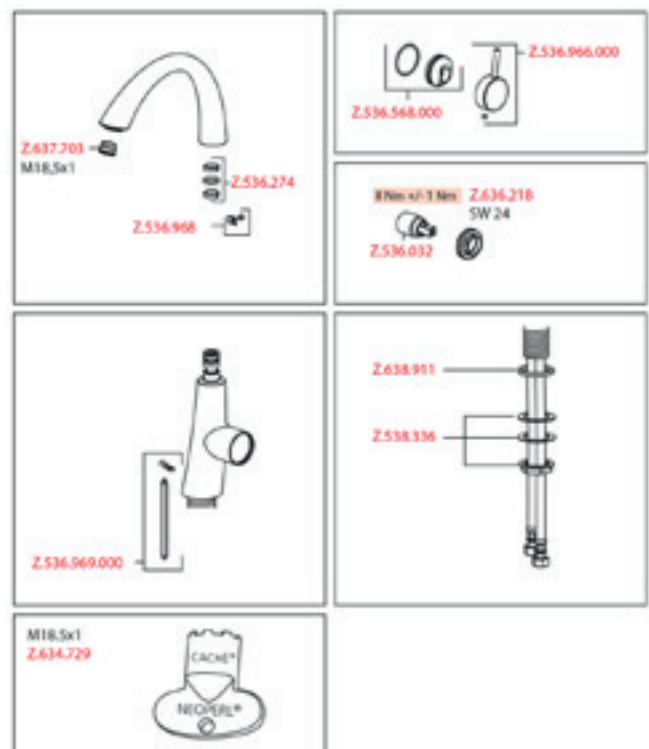
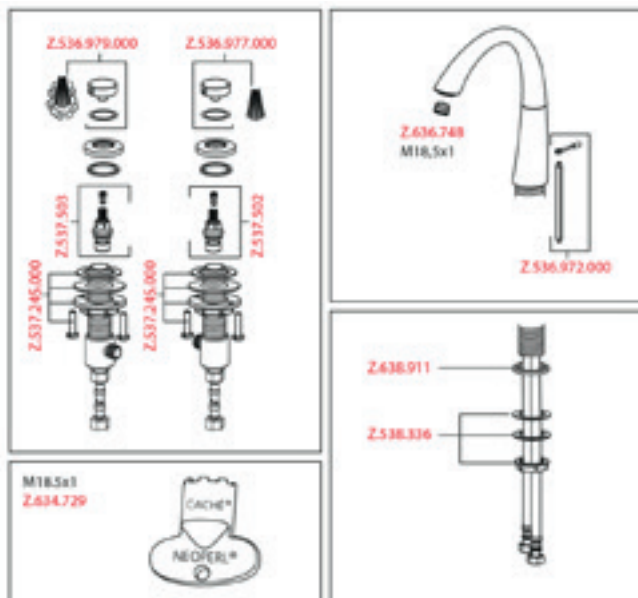


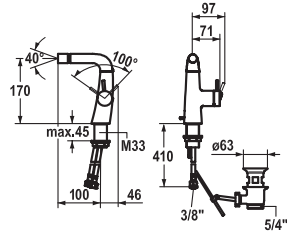
SAP Number	Article Number
chromeline, A 150, flexible connection hoses, with pop-up valve 123341	12.208.131.000FL
chromeline, A 150, flexible connection hoses, without pop-up valve 123343	12.208.141.000FL

ZOE Lever mixer - Basin

- Lever mixer
- Lever installation only possible on the right side
- Child safety: cold water flow in lever position towards the front
- gap between wall and centre of mounting hole min. 45 mm
- EcoProtect - water-saving device
- Swivel spout 90°
- Neoperl® Caché®
- OptimalSpace - ample space for washing or working
- KWC cartridge S 25
- with ceramic discs
- flow rate and temperature continuously variable
- Flexible connection hoses 3/8"
- Fastening by means of threaded sleeve M33 x 1.5
- Mounting hole size ø35 mm
- Scope of delivery:
- KWC pop-up valve Z.538.581.000

Flow rate 6 l/min (3 bar)
Acoustic group I



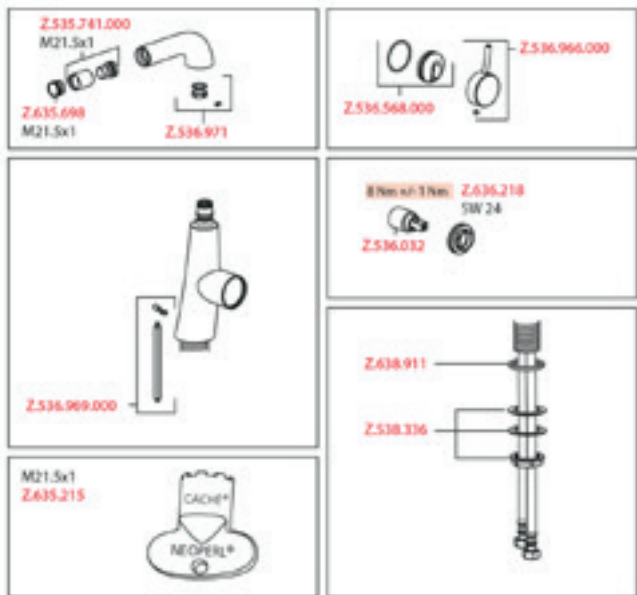


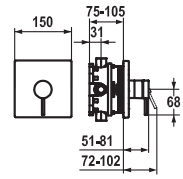
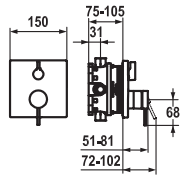
SAP Number	Article Number
chromeline, A 100, flexible connection hoses, with pop-up valve 123353	13.201.041.000FL

ZOE Lever mixer - Bidet

- Lever mixer
- Lever installation only possible on the right side
 - Child safety: cold water flow in lever position towards the front
- gap between wall and centre of mounting hole min. 45 mm
- EcoProtect - water-saving device
- Fixed spout
 - ball joint aerator Neoperl® Caché®
- KWC cartridge S 25
 - with ceramic discs
 - flow rate and temperature continuously variable
- Flexible connection hoses 3/8"
- Fastening by means of threaded sleeve M33 x 1.5
- Scope of delivery:
 - KWC pop-up valve Z.538.581.000

Flow rate 5 l/min (3 bar)
Acoustic group I





SAP Number	Article Number
chromeline, Trim kit 124015	20.204.500.000
chromeline, Trim kit, with vacuum breaker 124016	20.204.510.000

SAP Number	Article Number
chromeline, Trim kit 124014	21.204.500.000

ZOE Trim kit - Lever mixer - Tub

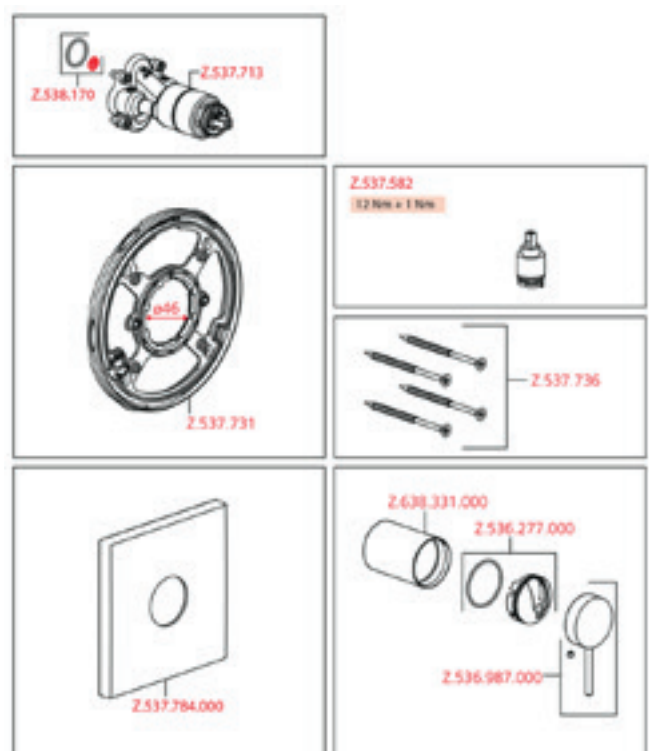
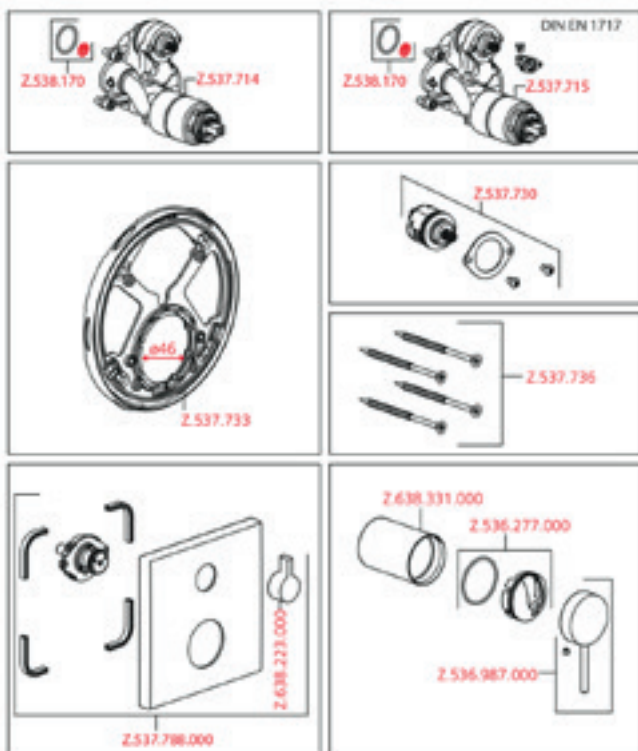
- Trim kit with function unit
- Outflow top and below
- Turning handle for diverter
- KWC cartridge M 35 H
 - with ceramic discs
 - flow rate and temperature continuously variable
- Scope of delivery:
 - Function unit, lever, cap, sleeve, cover plate, holder for escutcheon, diverter
 - Fastening of the cover plate without screws
- To be ordered separately:
 - Unit for concealed installation KWC BLUEBOX® ½", without shut-off valve, 39.999.900.931
 - ¾" (½"), with shut-off valve, 39.999.910.931

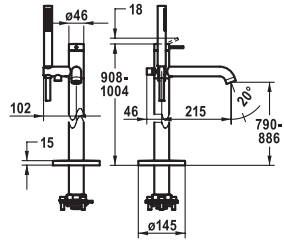
ZOE Trim kit - Lever mixer - Shower

- Trim kit with function unit
- Outflow top or below
- KWC cartridge M 35 H
 - with ceramic discs
 - flow rate and temperature continuously variable
- Scope of delivery:
 - Function unit, lever, cap, sleeve, cover plate, holder for escutcheon
 - Fastening of the cover plate without screws
- To be ordered separately:
 - Unit for concealed installation KWC BLUEBOX® ½", without shut-off valve, 39.999.900.931
 - ¾" (½"), with shut-off valve, 39.999.910.931

Acoustic group I

Acoustic group I



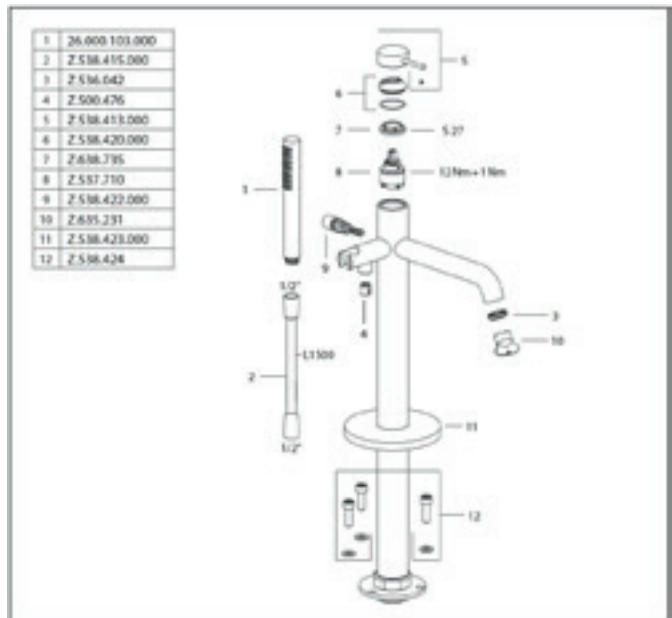


SAP Number	Article Number
chromeline, A 215, with hand shower and hose	
124794	20.201.093.000

ZOE Lever mixer - Tub

- Lever mixer
- For freestanding tub
- Integrated check valve in the hose outlet
- with shower holder
- Fixed spout
 - Neoperl® SLIM®
- KWC cartridge M 35 OP
 - with ceramic discs
 - flow rate and temperature continuously variable
 - temperature limitation
- Scope of delivery:
 - Hand shower KWC FIT-X slim 26.000.103.000
 - Shower hose 1500 mm, metal Z.538.415.000
- To be ordered separately:
 - Unit for concealed installation 39.000.602.931

Flow rate 21 l/min (3 bar)
 Acoustic group II
 Spray outlet: Flow rate 12 l/min (3bar)
 Spray outlet: Acoustic group I





ShowerCulture

Shower arms	216
Shower brackets	219
Shower hoses	220
Shower systems	221
Sliding wall bars	226
Hand showers	228
Shower heads	231
Hose connections	233
Thermostatic mixers	235



SAP Number	Article Number
chromeline, L 352 122514	26.000.800.000
matt black, L 352 125181	26.000.800.176
brushed steel, L 352 125182	26.000.800.177

SAP Number	Article Number
chromeline, L 352 122513	26.000.803.000
brushed steel, L 352 125183	26.000.803.177
matt black, L 352 125556	26.000.803.176

SHOWERCULTURE Shower arm

- with escutcheon
- suitable for all KWC shower heads (since 2019)
- Connecting thread 1/2"

SHOWERCULTURE Shower arm

- with escutcheon
- suitable for all KWC shower heads (since 2019)
- Connecting thread 1/2"



SAP Number	Article Number
chromeline, L 352 122517	26.000.810.000

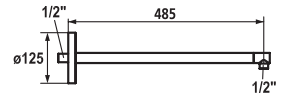
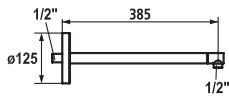
SAP Number	Article Number
chromeline, L 352 122518	26.000.813.000

SHOWERCULTURE Shower arm

- with escutcheon
- suitable for all KWC shower heads (since 2019)
- Connecting thread 1/2"

SHOWERCULTURE Shower arm

- with escutcheon
- suitable for all KWC shower heads (since 2019)
- Connecting thread 1/2"



SAP Number	Article Number
chromeline, L 385 122519	26.000.811.000

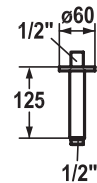
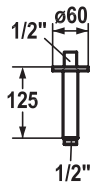
SHOWERCULTURE Shower arm

- with escutcheon
- suitable for all KWC shower heads
- Connecting thread 1/2"

SAP Number	Article Number
chromeline, L 485 122520	26.000.812.000

SHOWERCULTURE Shower arm

- with escutcheon
- suitable for all KWC shower heads
- Connecting thread 1/2"



SAP Number	Article Number
chromeline, L 125 122521	26.000.820.000

chromeline, L 225 122523	26.000.821.000
------------------------------------	----------------

chromeline, L 325 122525	26.000.822.000
------------------------------------	----------------

SHOWERCULTURE Shower arm

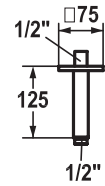
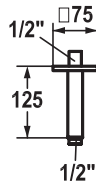
- with escutcheon
- suitable for all KWC shower heads
- Connecting thread 1/2"

SAP Number	Article Number
matt black, L 125 125552	26.000.820.176

brushed steel, L 125 125553	26.000.820.177
---------------------------------------	----------------

SHOWERCULTURE Shower arm

- with escutcheon
- suitable for all KWC shower heads
- Connecting thread 1/2"



SAP Number	Article Number
chromeline, L 125 122522	26.000.823.000
chromeline, L 225 122524	26.000.824.000
chromeline, L 325 122526	26.000.825.000

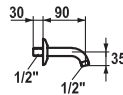
SHOWERCULTURE Shower arm

- Shower arm
- with escutcheon
- suitable for all KWC shower heads
- Connecting thread 1/2"

SAP Number	Article Number
matt black, L 125 125554	26.000.823.176
brushed steel, L 125 125555	26.000.823.177

SHOWERCULTURE Shower arm

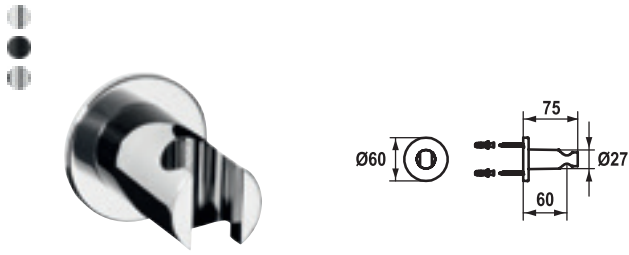
- Shower arm
- with escutcheon
- suitable for all KWC shower heads
- Connecting thread 1/2"



SAP Number	Article Number
chromeline, A90 101206	26.000.804.000

SHOWERCULTURE Shower arm

- Shower arm
- Connecting thread 1/2"



SAP Number	Article Number
chromeline 536623	26.000.621.000
matt black 125064	26.000.621.176
brushed steel 125065	26.000.621.177

SHOWERCULTURE Shower bracket style

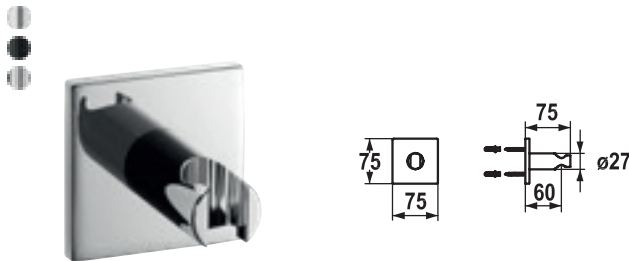
- Shower bracket style
- Non-adjustable
- Suitable for:
 - All hand showers



SAP Number	Article Number
chromeline 122540	26.000.622.000
matt black 360003864	26.000.622.176 NEW
brushed steel 360003876	26.000.622.177 NEW

SHOWERCULTURE Shower bracket

- Shower bracket
- Made of plastic
- Non-adjustable
- Suitable for:
 - All hand showers



SAP Number	Article Number
chromeline 536622	26.000.620.000
matt black 125550	26.000.620.176
brushed steel 125066	26.000.620.177

SHOWERCULTURE Shower bracket

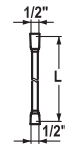
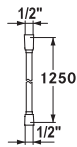
- Shower bracket
- Non-adjustable
- Suitable for:
 - All hand showers



SAP Number	Article Number
chromeline 122541	26.000.623.000

SHOWERCULTURE Shower bracket

- Shower bracket
- Adjustable
- Suitable for:
 - All hand showers



SAP Number	Article Number
chromeline, L 1250 3600003999	26.001.002.000
chromeline, L 1600 538323	26.001.003.000
chromeline, L 1800 538322	26.001.004.000
chromeline, L 2000 538324	26.001.005.000

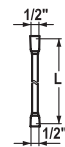
Shower hose

- Shower hose
- secure against twisting: rotatable (long) cone
- Made of plastic
- Connecting thread 1/2"

SAP Number	Article Number
chromeline L1500 538415	Z.538.415.000

SHOWERCULTURE Shower hose

- Shower hose
- secure against twisting: rotatable cone with wrench flat
- Made of metal
- Connecting thread 1/2"



SAP Number	Article Number
chromeline, L 1000 3600004019	26.001.009.000

Shower hose

- Shower hose
- secure against twisting: rotatable (long) cone
- can be shortened
- Made of plastic
- Connecting thread 1/2"

SAP Number	Article Number
matt black, L 1500 538513	26.001.033.176

brushed steel, L 1500 538516	26.001.033.177
--	----------------

SHOWERCULTURE Shower hose

- Shower hose
- secure against twisting: rotatable (long) cone
- Made of plastic
- Connecting thread 1/2"



SAP Number	Article Number	
chromeline, AD 150±20 mm, A 400, with hand shower and hose 124703	26.006.333.000	
brushed steel, AD150±20, A400 3600003726	26.006.333.177	NEW
matt black, AD150±20, A400 3600003736	26.006.333.176	NEW

Shower system style

- Shower system style
- EcoProtect - water-saving device
- TouchProtect
 - anti-scald protection thanks to the "double skin" principle
- The water-bearing sliding wall bar can be shortened to any individual length as required
- Swiveling bracket, shower head with ball joint
- SkinProtect - Safety stop prevents scalding
- Turning handle to control flow and for diverter
- KWC ball joint bracket, elevation adjustment lockable
- Tube diameter 20 mm
- Intrinsically safe against backflow
- Easy to install on existing connections
- Thermostatic precision control unit
 - constant water temperature (even when mains pressure fluctuates)
 - fast response

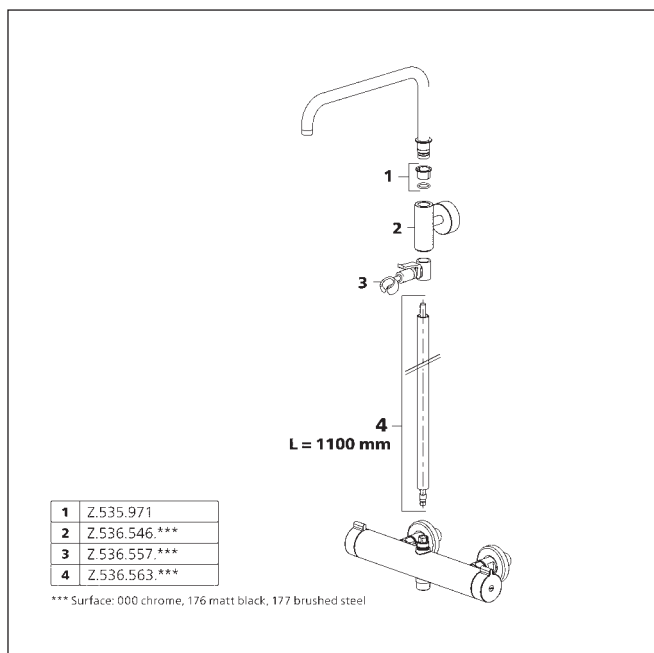
- Wall connections 1/2" x 3/4", without shut-off valve eccentric 10 mm
- Scope of delivery:
 - Thermostat incl. wall connections with outlet (top) for water-bearing sliding wall bar
 - Hand shower KWC CHOICE-G 26.000.125.000
 - Shower hose 1600 mm, plastic 26.001.003.000
 - Shower head KWC PIATTO -X R300 26.000.215.000
 - Sliding wall bar kit 26.004.004.000
 - Shower guide rod holder (top), for connecting guide rod and spray arm

Flow rate 13 l/min (3 bar)

Acoustic group I

Spray outlet: Flow rate 13 l/min (3bar)

Spray outlet: Acoustic group I





SAP Number	Article Number	
chromeline, AD 150±20 mm, A 400, with hand shower and hose 124701	26.006.373.000	
matt black, AD150±20, A400 3600003729	26.006.373.176	
brushed steel, AD150±20, A400 3600003737	26.006.373.177	

Shower system design

- Shower system design
- EcoProtect - water-saving device
- TouchProtect
 - anti-scald protection thanks to the "double skin" principle
- The water-bearing sliding wall bar can be shortened to any individual length as required
- Swiveling bracket, shower head with ball joint
- SkinProtect - Safety stop prevents scalding
- Turning handle to control flow and for diverter
- KWC ball joint bracket, elevation adjustment lockable
- Tube diameter 20 mm
- Intrinsicly safe against backflow
- Easy to install on existing connections
- Thermostatic precision control unit
 - constant water temperature (even when mains pressure fluctuates)
 - fast response

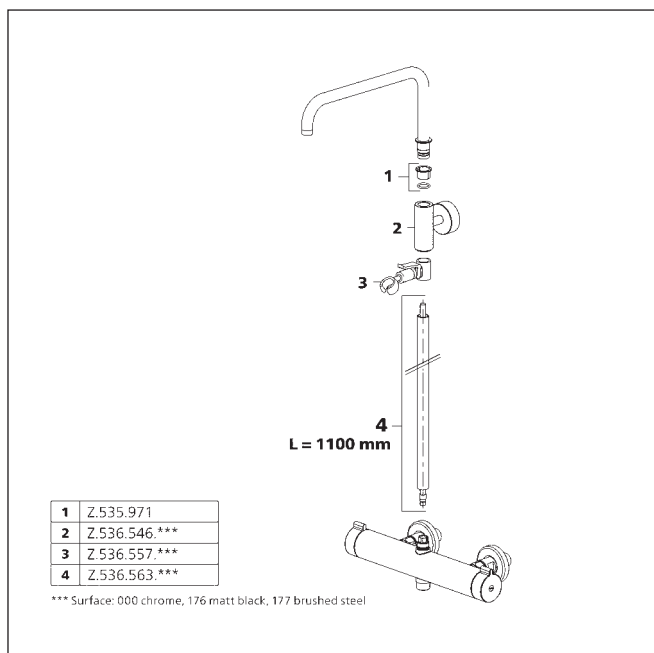
- Wall connections 1/2" x 3/4", without shut-off valve eccentric 10 mm
- Scope of delivery:
 - Thermostat incl. wall connections with outlet (top) for water-bearing sliding wall bar
 - Hand shower KWC CHOICE-H 26.000.126.000
 - Shower hose 1600 mm, plastic 26.001.003.000
 - Shower head KWC PIATTO -X Q300 26.000.205.000
 - Sliding wall bar kit 26.004.004.000
 - Shower guide rod holder (top), for connecting guide rod and spray arm

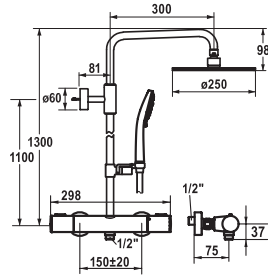
Flow rate 13 l/min (3 bar)

Acoustic group I

Spray outlet: Flow rate 13 l/min (3bar)

Spray outlet: Acoustic group I



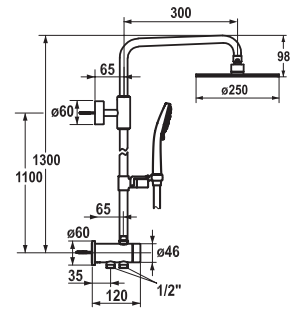


SAP Number **Article Number**

chromeline, AD 150±20 mm, A 300,
with hand shower and hose
125276 26.006.313.000

SHOWERCULTURE Thermostatic mixer - Shower system

- Shower system fit
- The water-bearing sliding wall bar can be shortened to any individual length as required
- Swiveling bracket, shower head with ball joint
- SkinProtect - Safety stop prevents scalding
- Turning handle to control flow and for diverter
- KWC ball joint bracket, elevation adjustment lockable
- Tube diameter 20 mm
- Intrinsically safe against backflow
- Easy to install on existing connections
- Thermostatic precision control unit
 - constant water temperature (even when mains pressure fluctuates)
 - fast response
- Wall connections 1/2" x 3/4", without shut-off valve eccentric 10 mm
- Scope of delivery:
 - Thermostat incl. wall connections with outlet (top) for water-bearing sliding wall bar
 - Hand shower KWC FIT-E trio 26.000.132.000
 - Shower hose 1600 mm, plastic 26.001.003.000
 - Shower head KWC PIATTO -X R250 26.000.214.000
 - Sliding wall bar kit 26.004.003.000
 - Shower guide rod holder (top), for connecting guide rod and spray arm

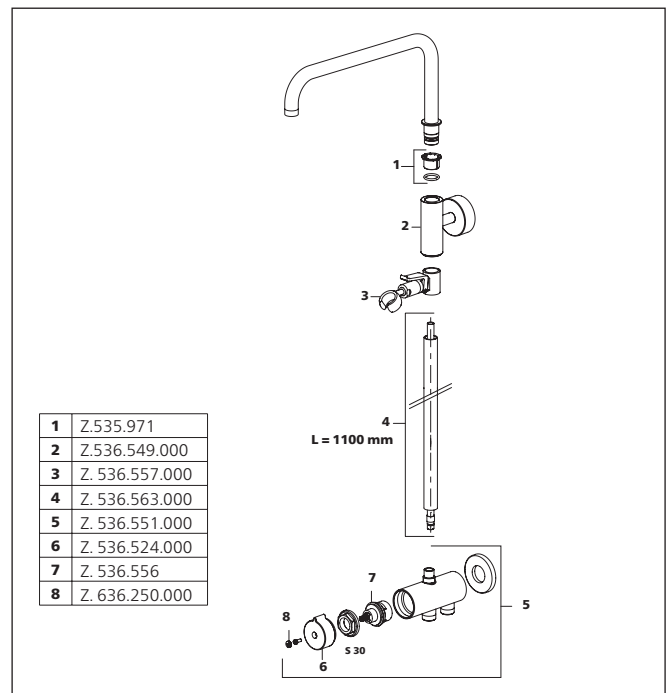
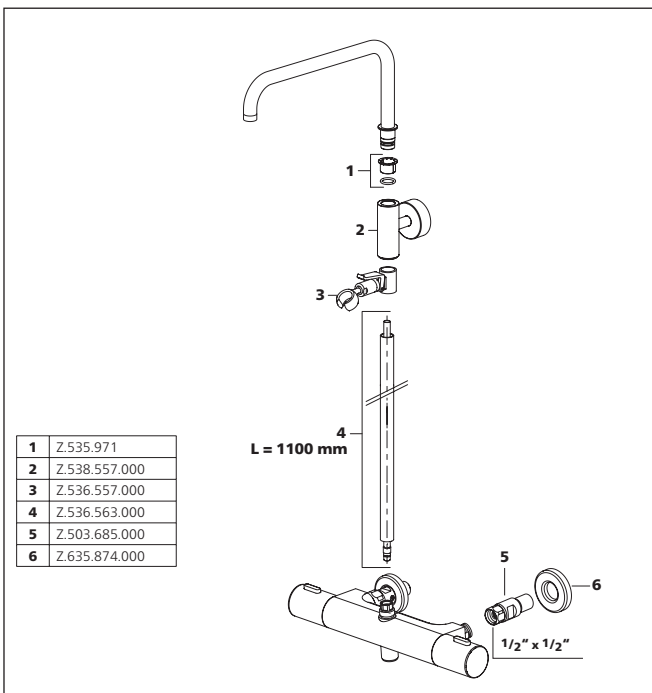


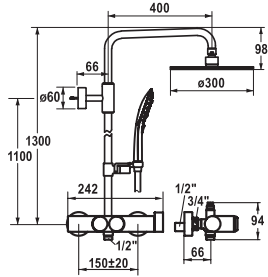
SAP Number **Article Number**

chromeline, A 300, L 1100, with hand shower and hose
124898 26.006.013.000

SHOWERCULTURE Shower system

- Shower system Modification set fit
- Suitable for connection to surface-mounted mixer
- TouchProtect
 - anti-scald protection thanks to the "double skin" principle
- The water-bearing sliding wall bar can be shortened to any individual length as required
- SkinProtect - Safety stop prevents scalding
- Turning handle to control flow and for diverter
- KWC ball joint bracket, elevation adjustment lockable
- Tube diameter 20 mm
- Scope of delivery:
 - Diverter with outlet (top) for water-bearing sliding wall bar
 - Hand shower KWC FIT-E trio 26.000.132.000
 - Shower hose 1600 mm, plastic 26.001.003.000 and 1000 mm (can be shortened), plastic 26.001.009.000
 - Shower head KWC PIATTO -X R250 26.000.214.000
 - Sliding wall bar kit 26.004.003.000
 - Shower guide rod holder (top), for connecting guide rod and spray arm

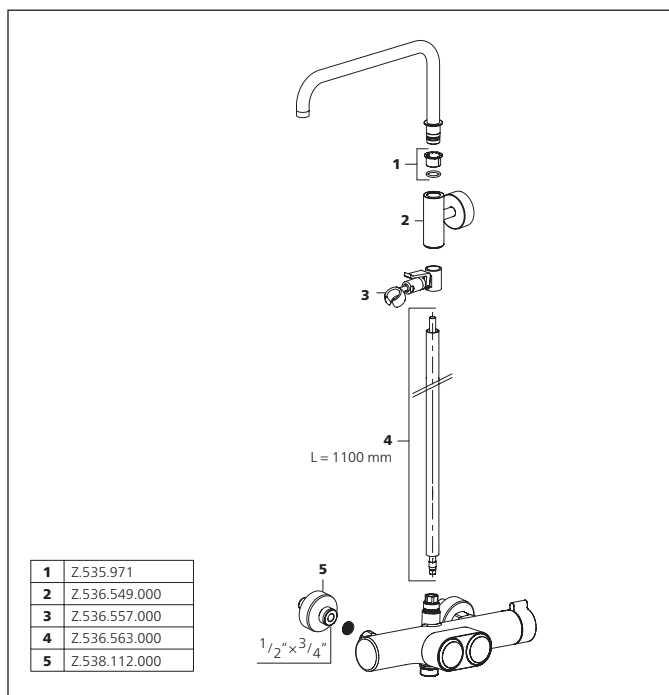


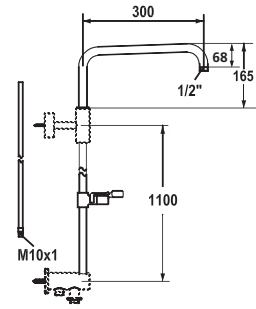
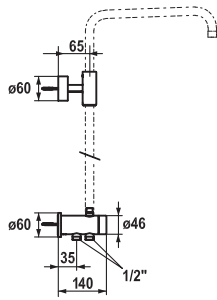


SAP Number	Article Number
chromeline, AD 150±20 mm, A 400, with hand shower and hose	
125274	26.006.614.000

SHOWERCULTURE Thermostatic mixer - Shower system

- Shower system choice
- Without volume control
- The water-bearing sliding wall bar can be shortened to any individual length as required
- Swiveling bracket, shower head with ball joint
- SkinProtect - Safety stop prevents scalding
- Activation of the consumer at the push of a „choice“ button
- KWC ball joint bracket, elevation adjustment lockable
- Tube diameter 20 mm
- Intrinsically safe against backflow
- Easy to install on existing connections
- Thermostatic precision control unit
 - constant water temperature (even when mains pressure fluctuates)
 - fast response
- Wall connections 1/2" x 3/4", without shut-off valve eccentric 10 mm
- Scope of delivery:
 - Thermostat incl. wall connections with outlet (top) for water-bearing sliding wall bar
 - Hand shower KWC CHOICE-E 26.000.117.000
 - Shower hose 1800 mm, plastic 26.001.014.000
 - Shower head KWC PIATTO -X R300 26.000.215.000
 - Sliding wall bar kit 26.004.004.000
 - Shower guide rod holder (top), for connecting guide rod and spray arm





SAP Number	Article Number
chromeline 122537	26.004.100.000

SHOWERCULTURE Components

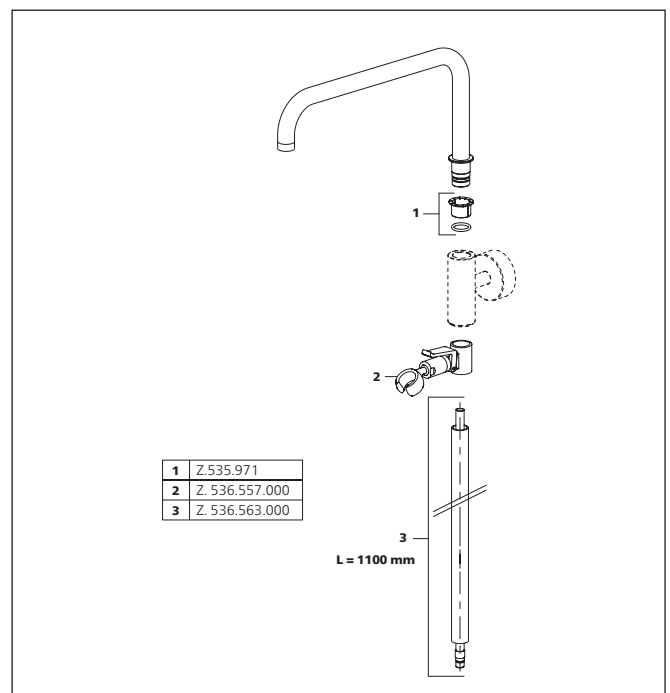
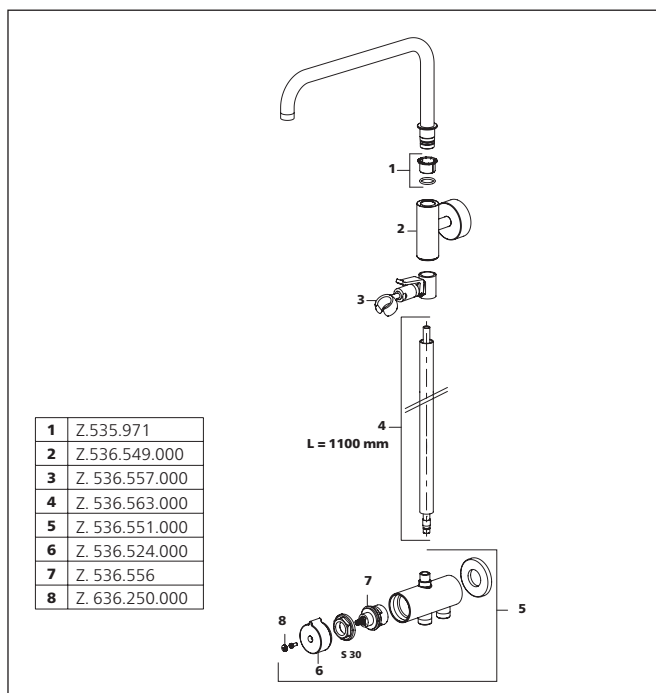
- Diverter for shower system surface-mounted
- Suitable for connection to surface-mounted mixer/ fixing of water-bearing sliding wall bar kit
- Turning handle for diverter
- Scope of delivery:
 - Shower hose 1600 mm, plastic 26.001.003.000 and 1000 mm (can be shortened), plastic 26.001.009.000
 - Shower guide rod holder (top), for connecting guide rod and spray arm
- To be ordered separately:
 - Water-bearing sliding wall bar kit 26.004.003.000 26.004.004.000
 - Hand shower KWC BOSSANOVA, KWC FIT or KWC CHOICE
 - shower head KWC PIATTO-X
- Go to www.kwc.com for comprehensive information on planning, installation and operation, or get in touch with your KWC contact person.

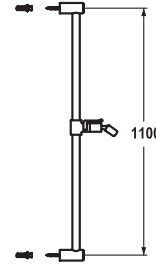
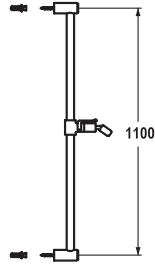
SAP Number	Article Number
chromeline, A 300, L 1100 122533	26.004.003.000

SAP Number	Article Number
chromeline, A 400, L 1100 122534	26.004.004.000

SHOWERCULTURE Components

- Sliding wall bar kit
 - water-bearing (pipe-in-pipe system) incl. shower arm, swiveling
- Suitable for connection / fixing to:
 - thermostat with outlet (top) for water-bearing sliding wall bar
 - sliding wall bar holder (bottom)
- TouchProtect
 - anti-scald protection thanks to the "double skin" principle
- The water-bearing sliding wall bar can be shortened to any individual length as required
- KWC ball joint bracket, elevation adjustment lockable
- Tube diameter 20 mm
- Go to www.kwc.com for comprehensive information on planning, installation and operation, or get in touch with your KWC contact person.





SAP Number	Article Number
chromeline, L 1100 114723	K.26.99.02.000
chromeline, L 612 114729	K.26.99.01.000

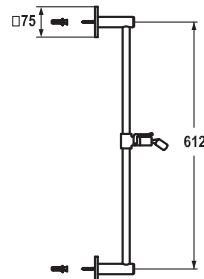
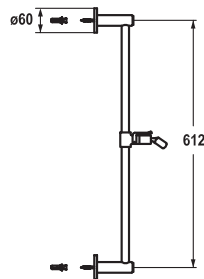
SAP Number	Article Number
matt black, L 1100 125179	K.26.99.02.176
brushed steel, L 1100 125180	K.26.99.02.177

FIT Sliding wall bar

- KWC Sliding wall bar FIT - „The original“
- Made of brass
- KWC ball joint bracket, elevation adjustment lockable
- Tube diameter 18 mm
- The sliding wall bar can be shortened to any individual length as required
- To be ordered separately (optional or if necessary):
 - Adesio adhesive set Z.538.427.000 (round) or Z.538.558.000 (square)

FIT Sliding wall bar

- KWC Sliding wall bar FIT - „The original“
- Made of brass
- KWC ball joint bracket, elevation adjustment lockable
- Tube diameter 18 mm
- The sliding wall bar can be shortened to any individual length as required



SAP Number	Article Number
chromeline, L 612 122529	26.000.502.000
chromeline, L 1100 122530	26.000.503.000

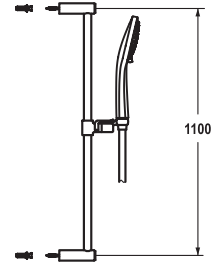
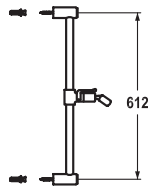
SAP Number	Article Number
chromeline, L 612 122531	26.000.504.000
chromeline, L 1100 122532	26.000.505.000

FIT Sliding wall bar style

- KWC Sliding wall bar FIT style - „The original“
- Made of brass
- KWC ball joint bracket, elevation adjustment lockable
- Tube diameter 18 mm
- The sliding wall bar can be shortened to any individual length as required

FIT Sliding wall bar design

- KWC Sliding wall bar FIT design - „The original“
- Made of brass
- KWC ball joint bracket, elevation adjustment lockable
- Tube diameter 18 mm
- The sliding wall bar can be shortened to any individual length as required



SAP Number	Article Number
chromeline, L 612 125263	26.000.506.000
chromeline, L 1100 125264	26.000.507.000

SAP Number	Article Number
chromeline, L 1100 125396	26.003.522.000

FIT Sliding wall bar easy

- KWC Sliding wall bar FIT easy
- Made of metal
- Ball joint bracket, elevation adjustment lockable
- Tube diameter 18 mm
- The sliding wall bar can be shortened to any individual length as required

SHOWERCULTURE Sliding wall bar kit fit

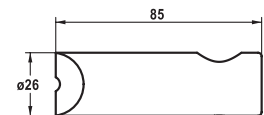
- Sliding wall bar kit fit
- Ball joint bracket, elevation adjustment lockable
- Tube diameter 18 mm
- The sliding wall bar can be shortened to any individual length as required
- Cleaning-friendly faceplate
- Scope of delivery:
 - Hand shower KWC FIT-E trio 26.000.132.000
 - Shower hose 1600 mm, plastic
 - KWC sliding wall bar FIT easy 26.000.507.000 (L1100)



SAP Number	Article Number
chromeline 538897	Z.538.897.000
matt black 538898	Z.538.897.176
brushed steel 538899	Z.538.897.177

Escutcheon for KWC sliding wall bar FIT

- Escutcheon kit - for KWC shower sliding bar FIT
- Suitable for:
 - HOMEBOX

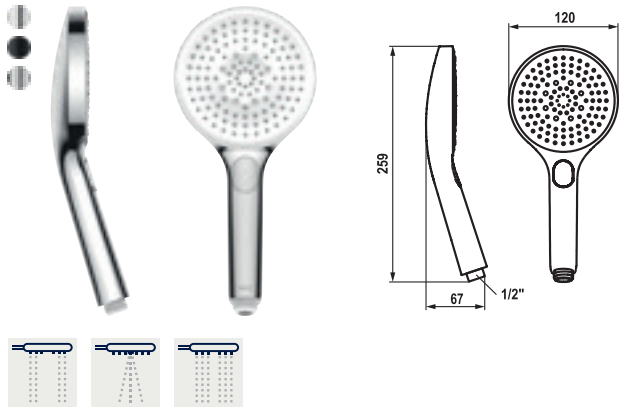


SAP Number	Article Number
chromeline 532943	Z.532.943.000

SHOWERCULTURE Base set for corner model

- Base set for corner model
- Suitable for:
 - KWC sliding wall bar FIT „The original“ K.26.99.01 or K.26.99.02
 - KWC sliding wall bar FIT easy 26.000.506.000 or 26.000.507.000
- Without installation materials (is included with the sliding wall bar)

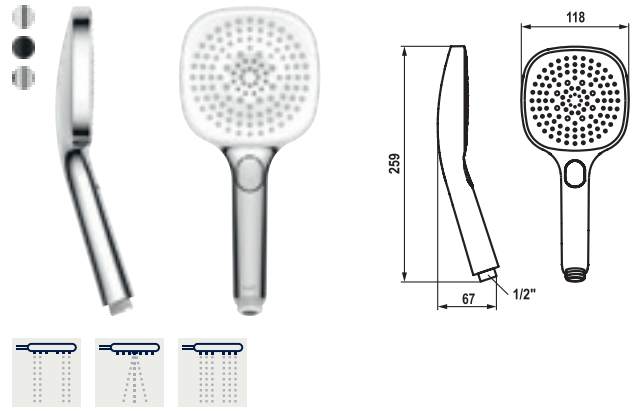
KWC Hand showers



SAP Number	Article Number
chrome 125607	26.000.125.000
matt black 125608	26.000.125.176
brushed steel 3600003805	26.000.125.177

CHOICE-G Hand shower

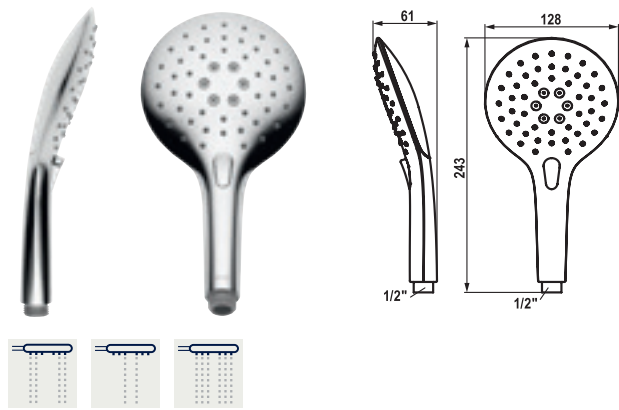
- Hand shower KWC CHOICE -G
- TouchProtect
 - anti-scald protection thanks to the "double skin" principle
- Cleaning-friendly faceplate
- Connecting thread 1/2"



SAP Number	Article Number
chromeline 125609	26.000.126.000
matt black 125610	26.000.126.176
brushed steel 3600003806	26.000.126.177

CHOICE-H Hand shower

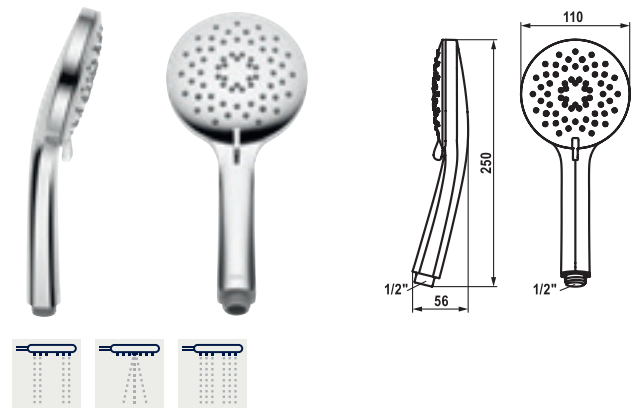
- Hand shower KWC CHOICE -H
- TouchProtect
 - anti-scald protection thanks to the "double skin" principle
- Cleaning-friendly faceplate
- Connecting thread 1/2"



SAP Number	Article Number
chromeline 124490	26.000.117.000

CHOICE-E Hand shower

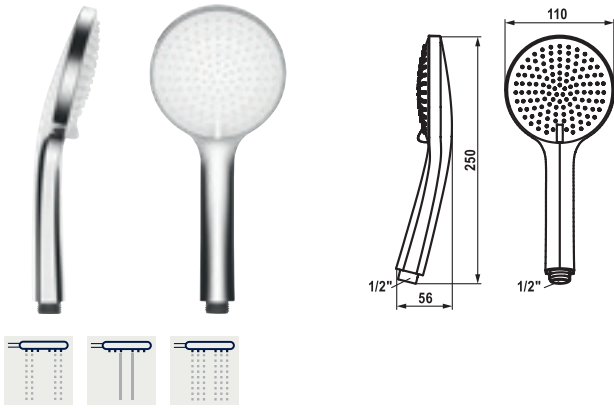
- Hand shower KWC CHOICE -E
- TouchProtect
 - anti-scald protection thanks to the "double skin" principle
- Cleaning-friendly faceplate
- Connecting thread 1/2"



SAP Number	Article Number
chromeline 124492	26.000.119.000

FIT-X Hand shower trio

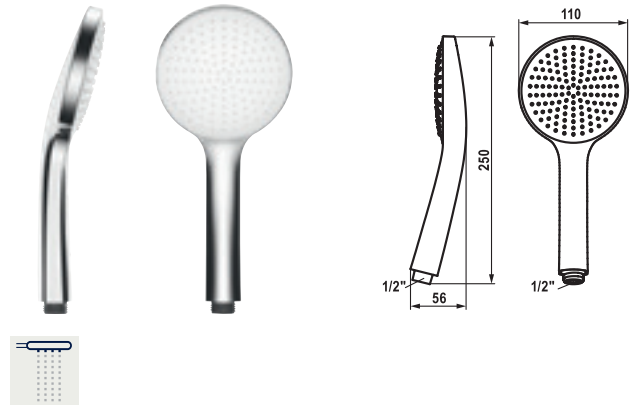
- Hand shower KWC FIT -X trio
- TouchProtect
 - anti-scald protection thanks to the "double skin" principle
- Cleaning-friendly faceplate
- Connecting thread 1/2"



SAP Number	Article Number
chromeline 125282	26.000.132.000

FIT-E Hand shower trio

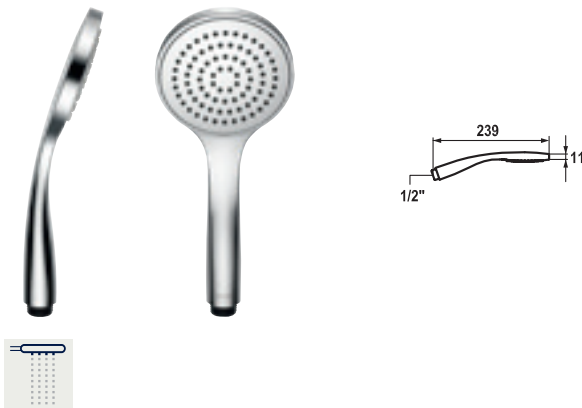
- Hand shower KWC FIT -E trio
- TouchProtect
 - anti-scald protection thanks to the "double skin" principle
- Cleaning-friendly faceplate
- Connecting thread 1/2"



SAP Number	Article Number
chromeline 125281	26.000.131.000

FIT-E Hand shower eco

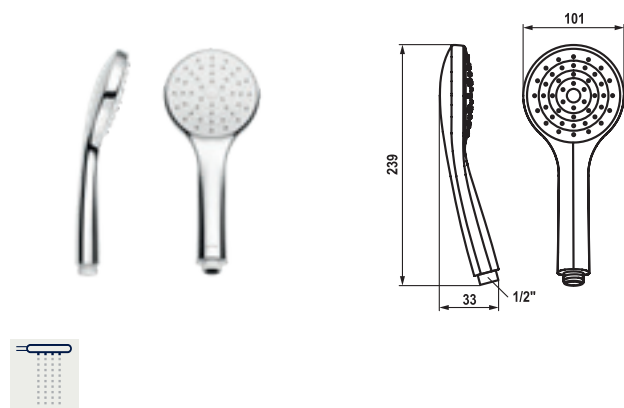
- Hand shower KWC FIT -E eco
- TouchProtect
 - anti-scald protection thanks to the "double skin" principle
- Cleaning-friendly faceplate
- Connecting thread 1/2"



SAP Number	Article Number
chromeline 123504	26.000.113.000

FIT-S Hand shower

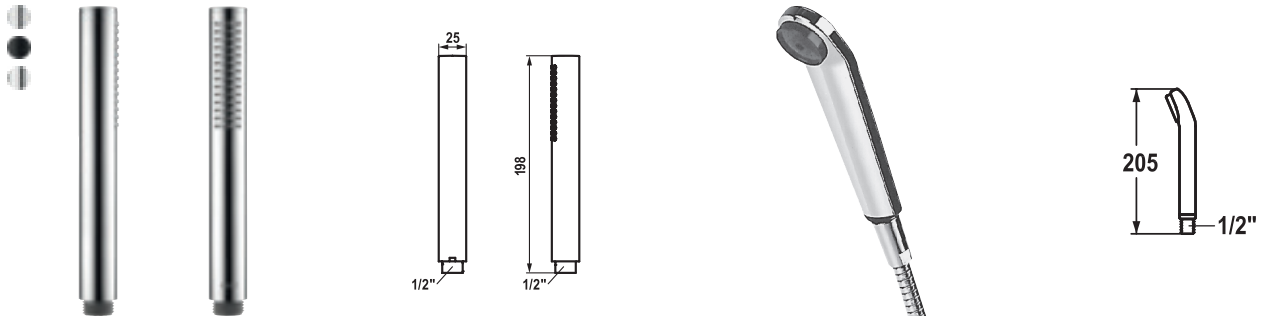
- Hand shower KWC FIT-S
- TouchProtect
 - anti-scald protection thanks to the "double skin" principle
- Cleaning-friendly faceplate
- Connecting thread 1/2"



SAP Number	Article Number
chromeline 125542	26.000.133.000

SHOWERCULTURE Hand shower KWC FIT -E easy

- Hand shower KWC FIT -E easy
- TouchProtect
 - anti-scald protection thanks to the "double skin" principle
- Cleaning-friendly faceplate
- Connecting thread 1/2"



SAP Number	Article Number
chromeline 124493	26.000.103.000
matt black 125187	26.000.103.176
stainless steel 125188	26.000.103.700

FIT-X Baton shower slim

- Baton shower KWC FIT-X slim
- Made of brass
- TouchProtect - anti-scald protection thanks to the "double skin" principle
- Cleaning-friendly faceplate
- Connecting thread 1/2"

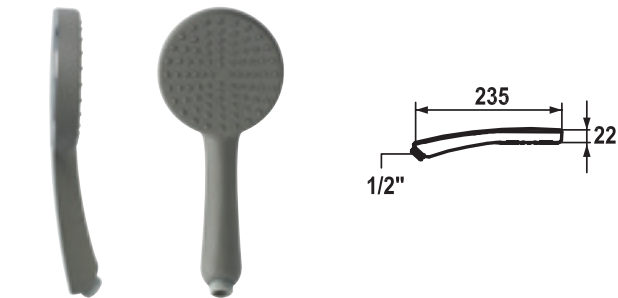
Flow rate 8 l/min (3 bar)
Acoustic group I

SAP Number	Article Number
chromeline 531549	Z.200.109.000

FIT Hand shower

- Hand shower KWC FIT
- Needle spray
- Connecting thread 1/2"

Flow rate 22 l/min (3 bar)
Acoustic group I

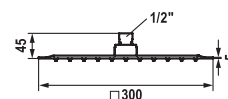
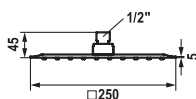


SAP Nr.	Artikel Nr.
chrom/urban grey 122491	26.000.111.040

Hand shower BOSSANOVA mono

- TouchProtect - anti-scald protection thanks to the "double skin" principle
- Angled hand shower hose connection, straight hose position
- ergoskin - ergonomic grip, pleasant surface
- Cleaning-friendly faceplate
- fitjet
- Connecting thread 1/2"

Flow rate 12 l/min (3 bar)
Acoustic group I



SAP Number	Article Number
chromeline, D 250x250 124494	26.000.204.000
chromeline, D 300x300 124495	26.000.205.000
chromeline, D 400x400 124496	26.000.206.000

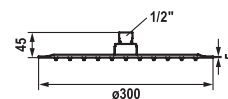
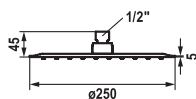
PIATTO -X Q Shower head

- Shower head KWC PIATTO -X Q
- Made of stainless steel
- With ball joint
- Cleaning-friendly faceplate
- Connecting thread 1/2"
- To be ordered separately:
 - Bracket

SAP Number	Article Number
stainless steel, D 300x300 125186	26.000.205.700
matt black, 300x300 125551	26.000.205.176

PIATTO -X Q Shower head

- Shower head KWC PIATTO -X Q
- Made of stainless steel
- With ball joint
- Cleaning-friendly faceplate
- Connecting thread 1/2"
- To be ordered separately:
 - Bracket



SAP Number	Article Number
chromeline, D 250 124497	26.000.214.000
chromeline, D 300 124498	26.000.215.000
chromeline, D 400 124499	26.000.216.000

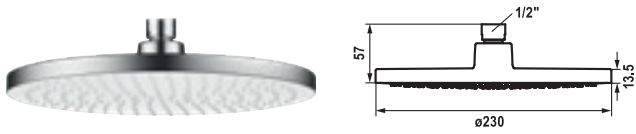
PIATTO-X R Shower head

- Shower head KWC PIATTO -X R
- Made of stainless steel
- With ball joint
- Cleaning-friendly faceplate
- Connecting thread 1/2"
- To be ordered separately:
 - Bracket

SAP Number	Article Number
matt black, D 300 125184	26.000.215.176
stainless steel, D 300 125185	26.000.215.700

PIATTO-X R Shower head

- Shower head KWC PIATTO -X R
- Made of stainless steel
- With ball joint
- Cleaning-friendly faceplate
- Connecting thread 1/2"
- To be ordered separately:
 - Bracket



SAP Number	Article Number
chromeline, D 230	
125283	26.000.222.000

FIT Shower head

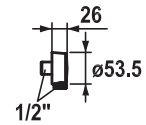
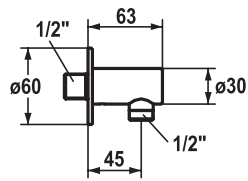
- Shower head KWC FIT
- Made of plastic
- With ball joint
- Cleaning-friendly faceplate
- Connecting thread 1/2"
- To be ordered separately:
 - Bracket



SAP Number	Article Number
chromeline	
122502	26.000.221.000

FIT Shower head mono

- Shower head KWC FIT mono
- Made of plastic
- With ball joint
- Cleaning-friendly faceplate
- Connecting thread 1/2"
- To be ordered separately:
 - Bracket



SAP Number	Article Number
chromeline 121823	26.000.610.000
matt black 125067	26.000.610.176
brushed steel 125068	26.000.610.177

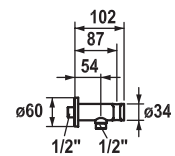
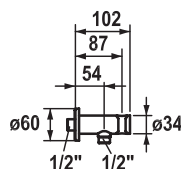
SHOWERCULTURE Hose connection style

- Hose connection style
- Intrinsicly safe against backflow
- Connecting thread 1/2"

SAP Number	Article Number
chromeline 122544	26.000.614.000

SHOWERCULTURE Hose connection

- Hose connection
- Connecting thread 1/2"



SAP Number	Article Number
chromeline 122542	26.000.612.000

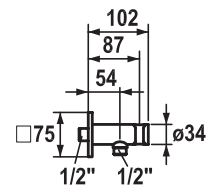
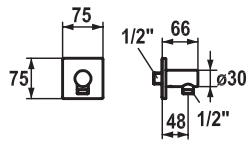
SHOWERCULTURE Hose connection

- Hose connection
- with integrated shower bracket
- Intrinsicly safe against backflow
- Connecting thread 1/2"

SAP Number	Article Number
matt black 125405	26.000.612.176
brushed steel 125406	26.000.612.177

SHOWERCULTURE Hose connection

- Hose connection
- with integrated shower bracket
- Intrinsicly safe against backflow
- Connecting thread 1/2"



SAP Number	Article Number
chromeline 122205	26.000.611.000
brushed steel 125069	26.000.611.177
matt black 125549	26.000.611.176

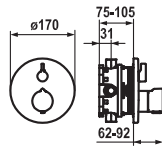
SHOWERCULTURE Hose connection design

- Hose connection design
- Intrinsically safe against backflow
- Connecting thread 1/2"

SAP Number	Article Number
chromeline 122543	26.000.613.000
brushed steel 125407	26.000.613.177
matt black 125548	26.000.613.176

SHOWERCULTURE Hose connection

- Hose connection
- with integrated shower bracket
- Intrinsically safe against backflow
- Connecting thread 1/2"



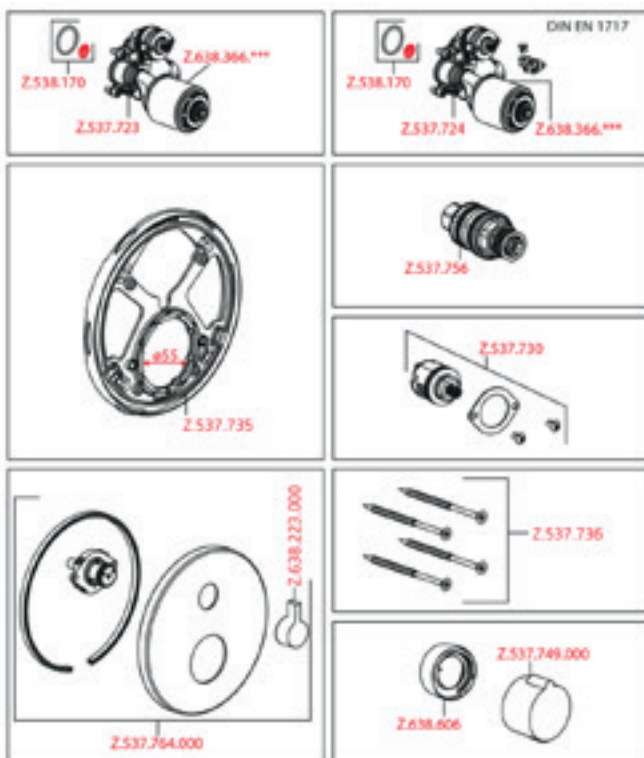
SAP Number	Article Number
chromeline, Trim kit 124012	20.004.802.000
chromeline, Trim kit, with vacuum breaker 124013	20.004.812.000
matt black, Trim kit 125034	20.004.802.176
matt black, Trim kit, with vacuum breaker 125035	20.004.812.176
brushed steel, Trim kit 125061	20.004.802.177
brushed steel, Trim kit, with vacuum breaker 125062	20.004.812.177

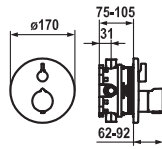
SHOWERCULTURE Trim kit - Thermostatic mixer - Tub

- Trim kit with thermostatic function unit style
- Outflow top and below
- SkinProtect - Safety stop prevents scalding
- Turning handle to control flow and for diverter
- Intrinsically safe against backflow
- Scope of delivery:
 - Function unit, temperature lever, sleeve, cover plate, holder for escutcheon handle to control flow and for diverter
 - Fastening of the cover plate without screws

- To be ordered separately:
 - Unit for concealed installation KWC BLUEBOX® ½", without shut-off valve, 39.999.900.931
 - ¾" (½"), with shut-off valve, 39.999.910.931

Flow rate 18 l/min (3 bar)
Acoustic group I



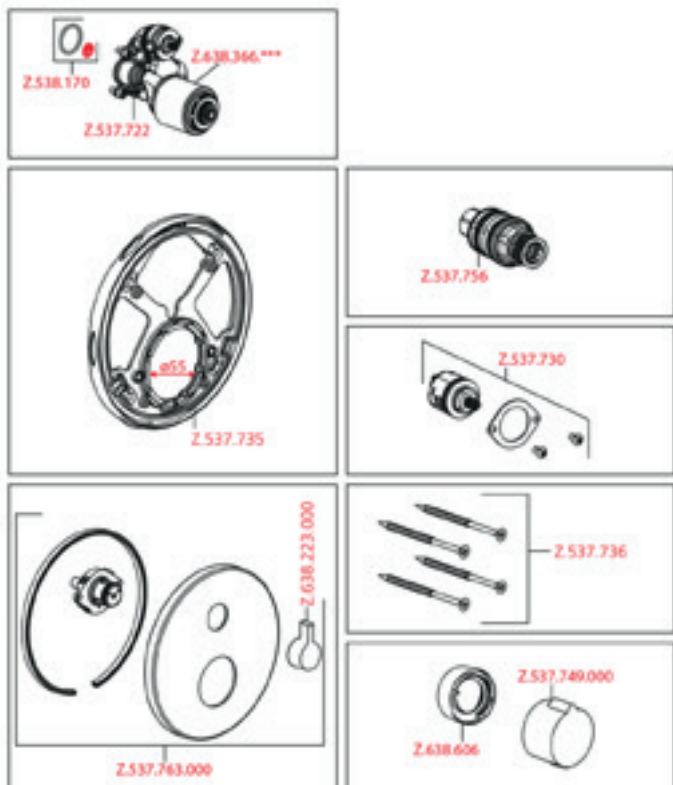


SAP Number	Article Number
chromeline, Trim kit 124011	21.004.802.000
matt black, Trim kit 125032	21.004.802.176
brushed steel, Trim kit 125059	21.004.802.177

SHOWERCULTURE Trim kit - Thermostatic mixer - Shower

- Trim kit with thermostatic function unit style
- Outflow top or below
- SkinProtect - Safety stop prevents scalding
- Turning handle to control flow
- Inherently safe against backflow
- Scope of delivery:
 - Function unit, temperature lever, sleeve, cover plate, holder for escutcheon handle to control flow
 - Fastening of the cover plate without screws
- To be ordered separately:
 - Unit for concealed installation KWC BLUEBOX® ½", without shut-off valve, 39.999.900.931
 - ¾" (½"), with shut-off valve, 39.999.910.931

Flow rate 18 l/min (3 bar)
Acoustic group I





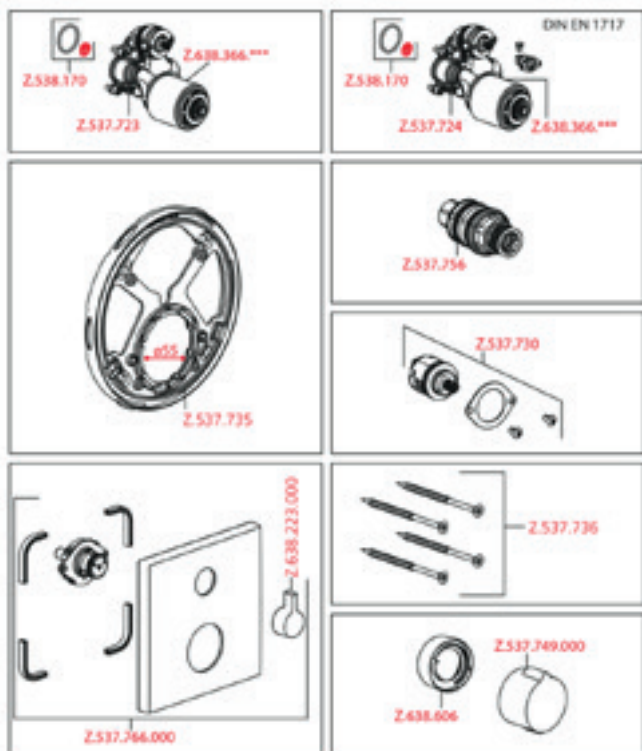
SAP Number	Article Number
chromeline, Trim kit 124009	20.004.801.000
chromeline, Trim kit, with vacuum breaker 124010	20.004.811.000
matt black, Trim kit 125546	20.004.801.176
matt black, Trim kit, with vacuum breaker 125547	20.004.811.176
brushed steel, Trim kit 124968	20.004.801.177
brushed steel, Trim kit, with vacuum breaker 124969	20.004.811.177

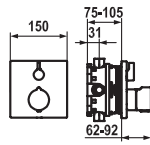
SHOWERCULTURE Trim kit - Thermostatic mixer - Tub

- Trim kit with thermostatic function unit design
- Outflow top and below
- SkinProtect - Safety stop prevents scalding
- Turning handle to control flow and for diverter
- Intrinsically safe against backflow
- Scope of delivery:
 - Function unit, temperature lever, sleeve, cover plate, holder for escutcheon handle to control flow and for diverter
 - Fastening of the cover plate without screws

- To be ordered separately:
 - Unit for concealed installation KWC BLUEBOX® ½", without shut-off valve, 39.999.900.931
 - ¾" (½"), with shut-off valve, 39.999.910.931

Flow rate 18 l/min (3 bar)
Acoustic group I



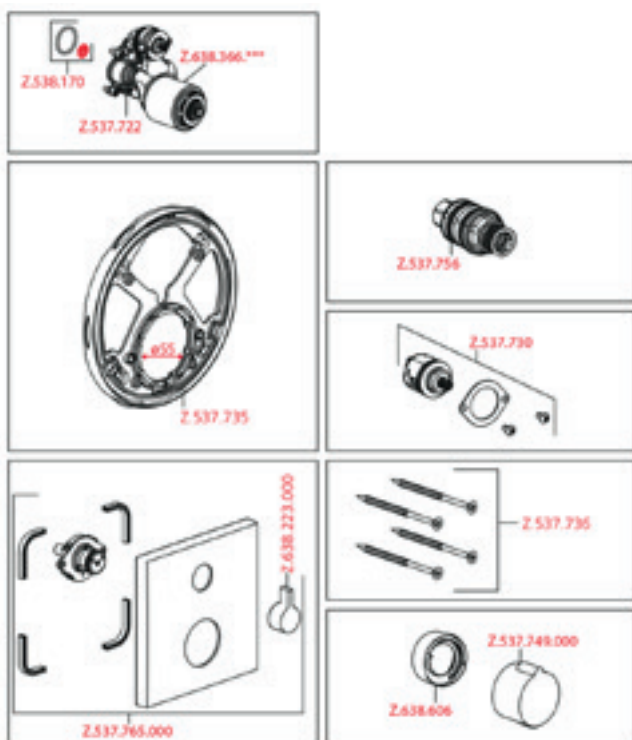


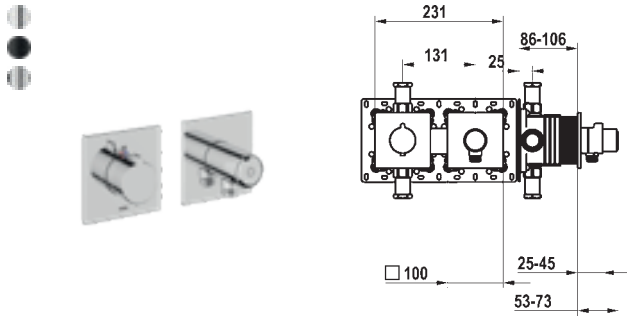
SAP Number	Article Number
chromeline, Trim kit 124008	21.004.801.000
matt black, Trim kit 125545	21.004.801.176
brushed steel, Trim kit 124967	21.004.801.177

SHOWERCULTURE Trim kit - Thermostatic mixer - Shower

- Trim kit with thermostatic function unit design
- Outflow top or below
- SkinProtect - Safety stop prevents scalding
- Turning handle to control flow
- Intrinsically safe against backflow
- Scope of delivery:
 - Function unit, temperature lever, sleeve, cover plate, holder for escutcheon handle to control flow
 - Fastening of the cover plate without screws
- To be ordered separately:
 - Unit for concealed installation KWC BLUEBOX@
 - ½", without shut-off valve, 39.999.900.931
 - ¾" (½"), with shut-off valve, 39.999.910.931

Flow rate 18 l/min (3 bar)
Acoustic group I





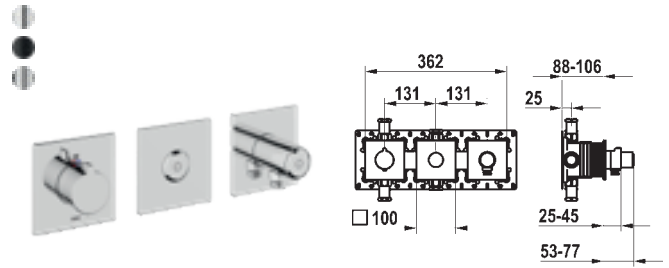
NEW

SAP Number	Article Number
chromeline, trim kit, with safety device DIN EN 1717 125297	21.004.853.000
matt black, trim kit, with safety device DIN EN 1717 125298	21.004.853.176
brushed steel, trim kit, with safety device DIN EN 1717 125299	21.004.853.177

Trim kit, with safety device DIN EN 1717 – Thermostatic mixer – Shower

- Trim kit with thermostatic function unit KWC HOMEBOX
- Outflow
 - with integrated hose connection with ON/OFF push-button CHOICE with flow regulator
- SkinProtect - Safety stop prevents scalding
- Intrinsicly safe against backflow
- Scope of delivery:
 - Thermostatic mixer unit
 - Hose connection unit with ON/OFF push-button and flow regulator
 - Fastening of the cover plate without screws
- To be ordered separately:
 - Unit for concealed installation KWC HOMEBOX Thermostatic mixer 1 Consumers 39.006.271.931

Acoustic group I

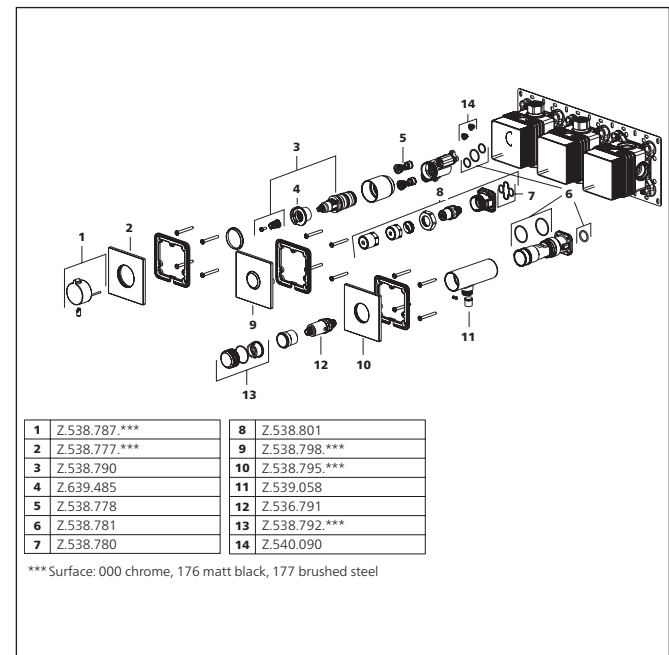
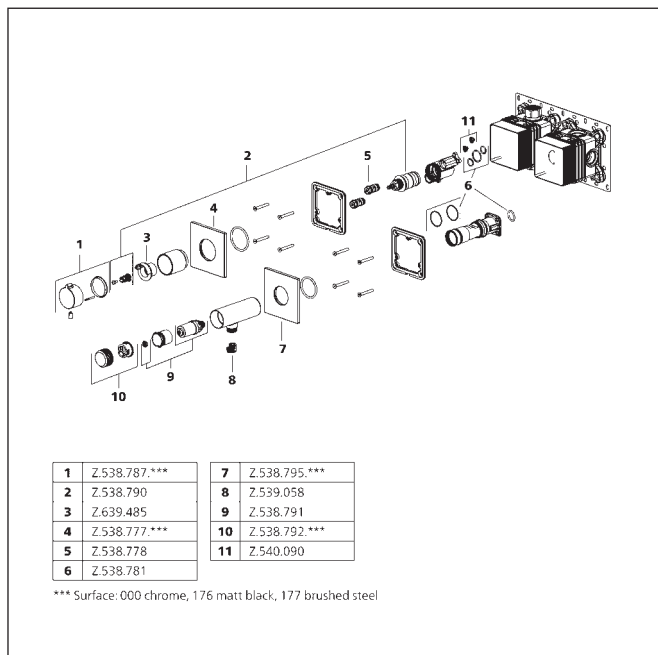


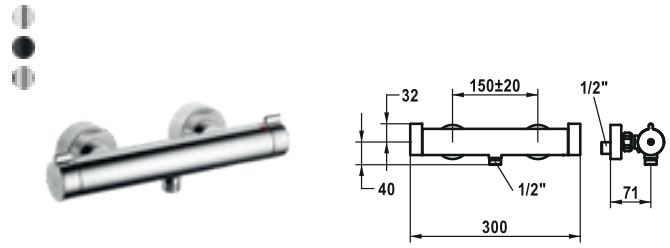
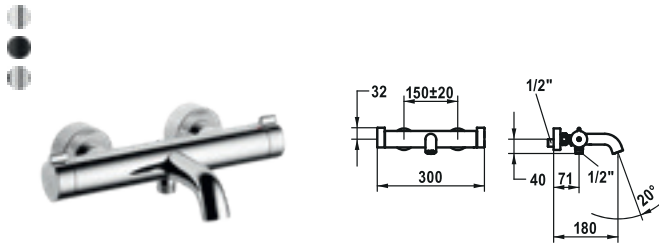
NEW

SAP Number	Article Number
chromeline, trim kit, with safety device DIN EN 1717 125300	20.004.853.000
matt black, trim kit, with safety device DIN EN 1717 125301	20.004.853.176
brushed steel, trim kit, with safety device DIN EN 1717 125302	20.004.853.177

Trim kit, with safety device DIN EN 1717 – Thermostatic mixer – Tub

- Trim kit with thermostatic function unit KWC HOMEBOX
- Outflow
 - with integrated hose connection with ON/OFF push-button CHOICE with flow regulator
 - above or below for second consumer with ON/OFF push-button CHOICE
- SkinProtect - Safety stop prevents scalding
- Intrinsicly safe against backflow
- Scope of delivery:
 - Thermostatic mixer unit
 - Diverter unit
 - Hose connection unit with ON/OFF push-button and flow regulator
 - Fastening of the cover plate without screws
- To be ordered separately:
 - Unit for concealed installation KWC HOMEBOX Thermostatic/ lever mixer 2 consumers 39.006.261.931





SAP Number	Article Number	
chromeline, AD 150±20 mm, A 180, without hand shower, hose and bracket		
124693	26.009.533.000	
matt black, AD 150±20, A 195, without spray head, hose and holder		NEW
360003685	26.009.533.176	
brushed steel, AD 150±20, A 195, without spray head, hose and holder		NEW
360003686	26.009.533.177	

Thermostat mixer style

- Thermostat mixer style
- EcoProtect - water-saving device
- TouchProtect
 - anti-scald protection thanks to the "double skin" principle
- SkinProtect - Safety stop prevents scalding
- Turning handle to control flow and for diverter
- Intrinsicly safe against backflow
- Fixed spout
 - Neoperl® Cascade®
- Thermostatic precision control unit
 - constant water temperature (even when mains pressure fluctuates)
 - fast response
- Wall connections 1/2" x 3/4", without shut-off valve eccentric 10 mm

Flow rate 20 l/min (3 bar)

Acoustic group I

Spray outlet: Flow rate 13 l/min (3bar)

Spray outlet: Acoustic group I



SAP Number	Article Number	
chromeline, AD 150±20 mm, without hand shower and hose		
124677	26.009.130.000	
matt black, AD 150±20, without spray head and hose		NEW
360003721	26.009.130.176	
brushed steel, AD 150±20, without spray head and hose		NEW
360003734	26.009.130.177	

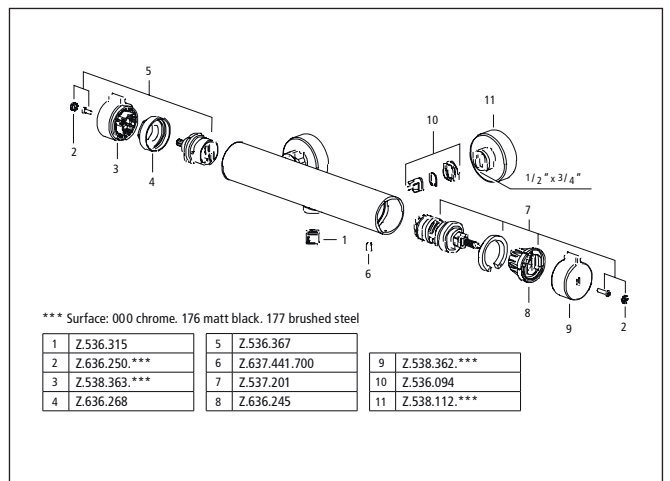
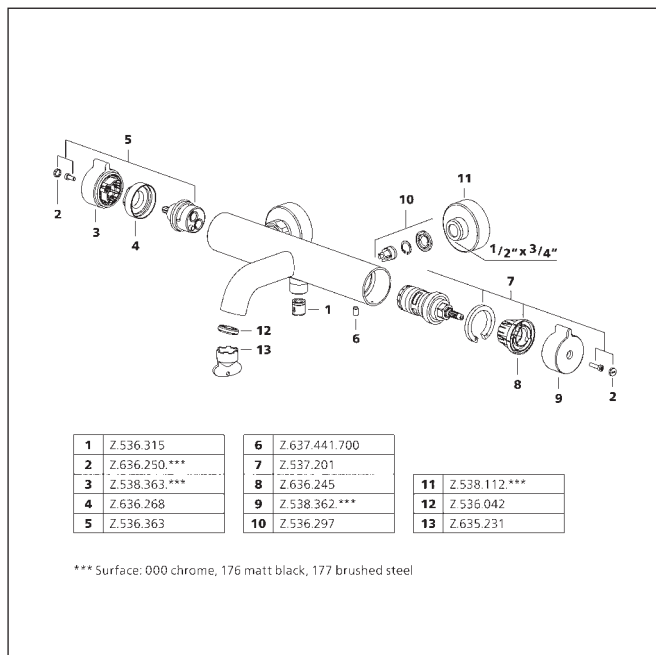
Thermostat mixer design / style

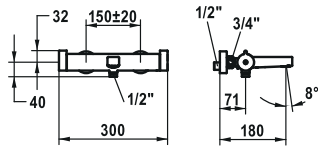
- Thermostat mixer design / style
- EcoProtect - water-saving device
- TouchProtect
 - anti-scald protection thanks to the "double skin" principle
- SkinProtect - Safety stop prevents scalding
- Turning handle to control flow
- Intrinsicly safe against backflow
- Thermostatic precision control unit
 - constant water temperature (even when mains pressure fluctuates)
 - fast response
- Wall connections 1/2" x 3/4", without shut-off valve eccentric 10 mm

Acoustic group I

Spray outlet: Flow rate 13 l/min (3bar)

Spray outlet: Acoustic group I





SAP Number	Article Number	
chromeline, AD 150±20 mm, A 180, without hand shower, hose and bracket		
124685	26.009.733.000	
matt black, AD 150±20, A 195 without spray head, hose and holder		
360003705	26.009.733.176	NEW
brushed steel, AD 150±20, A 195, without spray head, hose and holder		
360003706	26.009.733.177	NEW

Thermostat mixer design

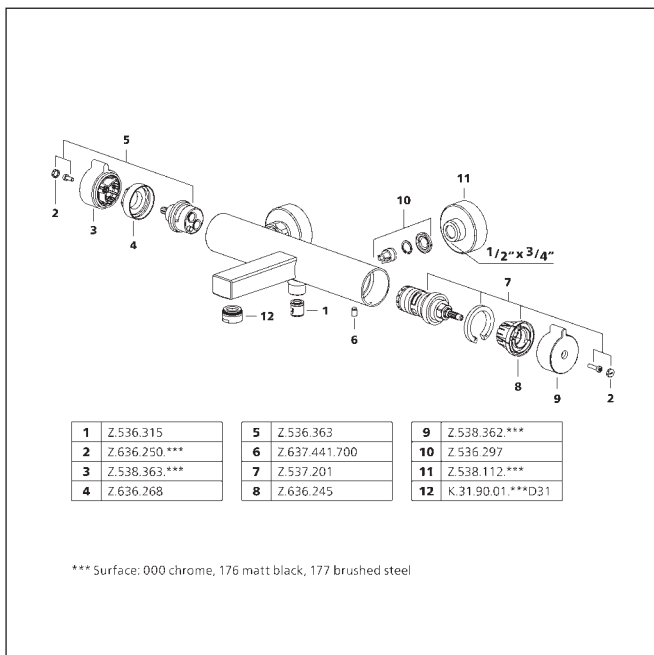
- Thermostat mixer design
- EcoProtect - water-saving device
- TouchProtect
 - anti-scald protection thanks to the "double skin" principle
- SkinProtect - Safety stop prevents scalding
- Turning handle to control flow and for diverter
- Intrinsicly safe against backflow
- Fixed spout
 - Neoperl® Cascade®
- Thermostatic precision control unit
 - constant water temperature (even when mains pressure fluctuates)
 - fast response
- Wall connections 1/2" x 3/4", without shut-off valve eccentric 10 mm

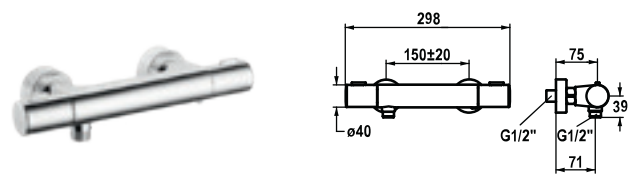
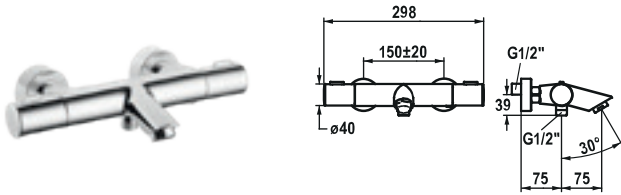
Flow rate 20 l/min (3 bar)

Acoustic group I

Spray outlet: Flow rate 13 l/min (3bar)

Spray outlet: Acoustic group I





SAP Number	Article Number
chromeline, AD 150±20 mm, A 190, without hand shower and hose	
124697	26.009.433.000

Thermostatic mixer - Tub

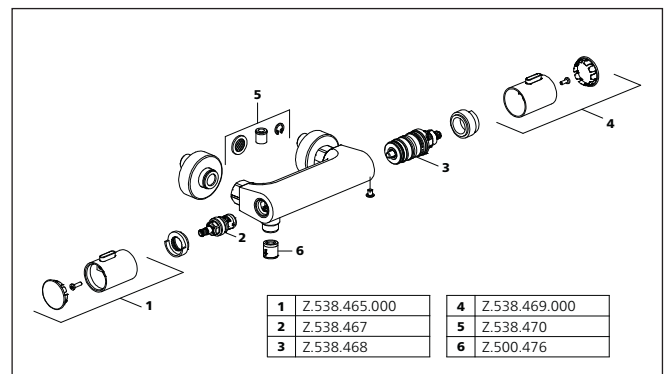
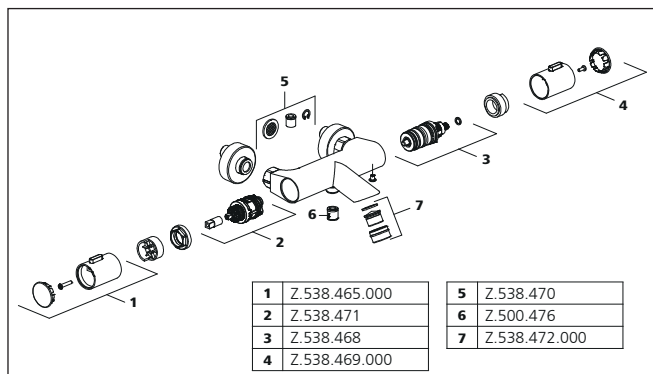
- SkinProtect - Safety stop prevents scalding
- Turning handle to control flow and for diverter
- Inherently safe against backflow
- Fixed spout
 - Neoperl® Cascade®
- Thermostatic precision control unit
 - constant water temperature even when mains pressure fluctuates)
 - fast response
- Wall connections

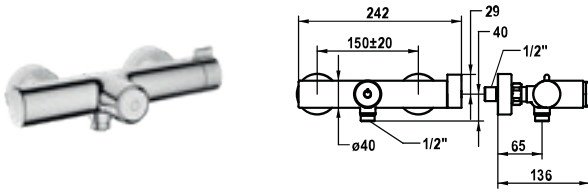


SAP Number	Article Number
chromeline, AD 150±20 mm, without hand shower and hose	
124681	26.009.030.000

Thermostatic mixer - Shower

- Thermostat fit
- SkinProtect - Safety stop prevents scalding
 - Turning handle to control flow
 - Inherently safe against backflow
 - Thermostatic precision control unit
 - constant water temperature (even when mains pressure fluctuates)
 - fast response
 - Wall connections 1/2" x 3/4", without shut-off valve eccentric 10 mm

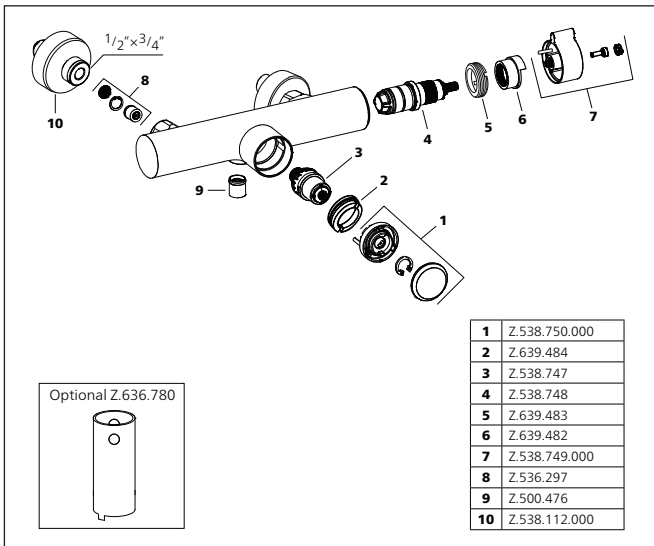




SAP Number	Article Number
chomeline, AD 150±20 mm, without wall connections, without hand shower and hose	
125268	26.009.220.000

Thermostat mixer choice

- Thermostat mixer choice
- Without volume control
- EcoProtect - water-saving device
- SkinProtect - Safety stop prevents scalding
- Activation of the consumer at the push of a „choice“ button
- Intrinsically safe against backflow
- Thermostatic precision control unit
 - constant water temperature (even when mains pressure fluctuates)
 - fast response
- Wall connections 1/2" x 3/4", without shut-off valve eccentric 10 mm





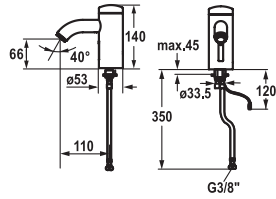
Automatic faucets

IQUA

246

ONO E

250



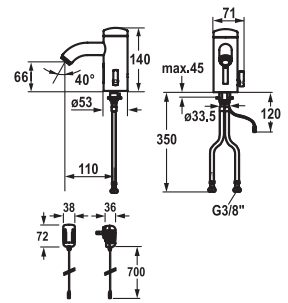
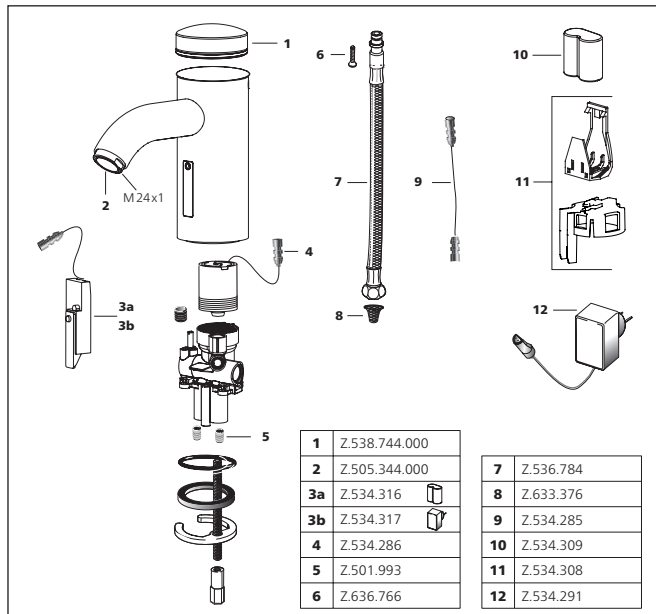
SAP Number	Article Number
chromeline, A 115, flexible connection hose 3/8", without pop-up valve, battery, Basic, without mixing	
125277	12.696.171.000

chromeline, A 115, flexible connection hose 3/8", without pop-up valve, mains receiver, Basic, without mixing	
125278	12.696.181.000

IQUA Automatic, non-contact - Basin

- Automatic controled style
- Infrared sensor L20
- Without mixing
 - for cold or mixed water supply
- EcoProtect - water-saving device
- Basic: counter-sunk iqua-click
- Microprocessor-control
 - flow time adjustable (1 second factory setting)
 - short time off (cleaning) activatable
 - continuous water flow (filling) activatable
 - sensor sensitivity adjustable permanent, automatic self-calibration
 - 12- or 24-hour-hygiene flushing activatable
- Fixed spout
 - Neoperl® Cascade®
- Electrovalve
- Fastening by means of stud bolt M8 x 1
- Mounting hole size ø35 mm
- Scope of delivery:
 - Battery 6 V Lithium CRP2
 - lifespan at 100 circuits/day: 4 years
- Avoid using infrared controls near highly reflective surfaces (e.g. mirrors, polished stainless steel basins) as this could cause them to activate accidentally or malfunction.

Flow rate 6 l/min (3 bar)
Acoustic group I



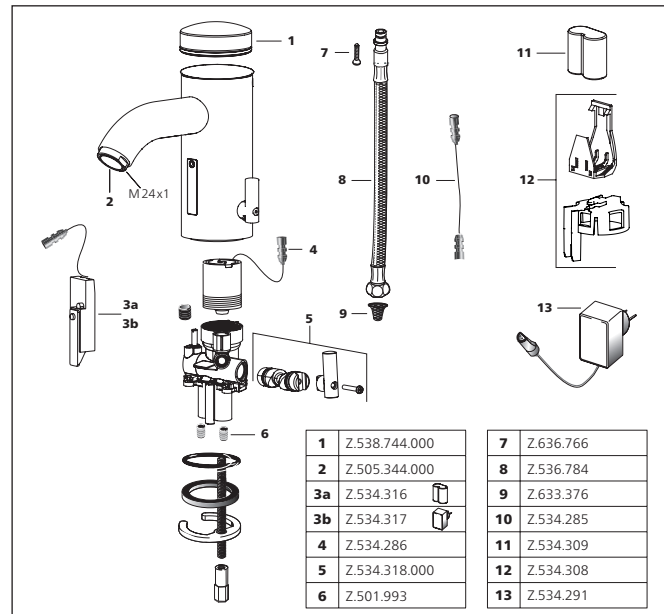
SAP Number	Article Number
chromeline, A 115, flexible connection hose 3/8", without pop-up valve, battery, Basic, with mixing	
125279	12.696.081.000

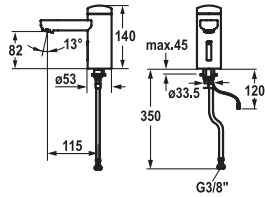
chromeline, A 115, flexible connection hose 3/8", without pop-up valve, mains receiver, Basic, with mixing	
125280	12.696.091.000

IQUA Automatic, non-contact - Basin

- Automatic controled style
- Infrared sensor L10
- With mixing
 - temperature limiter adjustable
- EcoProtect - water-saving device
- Basic: counter-sunk iqua-click
- Microprocessor-control
 - flow time adjustable (1 second factory setting)
 - short time off (cleaning) activatable
 - continuous water flow (filling) activatable
 - sensor sensitivity adjustable permanent, automatic self-calibration
 - 12- or 24-hour-hygiene flushing activatable
- Fixed spout
 - Neoperl® Cascade®
- Electrovalve
- Fastening by means of stud bolt M8 x 1
- Mounting hole size ø35 mm
- Scope of delivery:
 - Battery 6 V Lithium CRP2
 - lifespan at 100 circuits/day: 4 years
- Avoid using infrared controls near highly reflective surfaces (e.g. mirrors, polished stainless steel basins) as this could cause them to activate accidentally or malfunction.

Flow rate 6 l/min (3 bar)
Acoustic group I





SAP Number Article Number

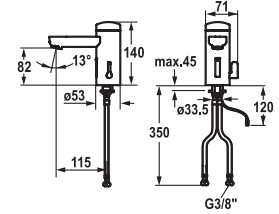
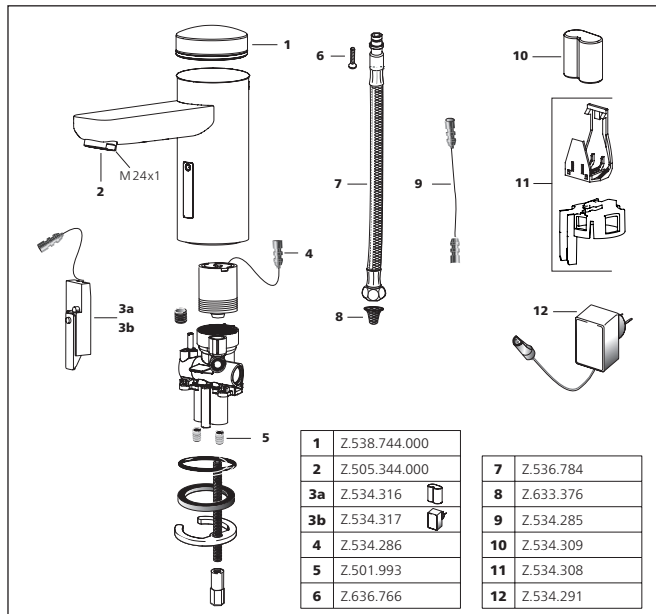
chromeline, A 115, flexible connection hose 3/8", without pop-up valve, battery, Basic, without mixing
125257 12.696.151.000

chromeline, A 115, flexible connection hose 3/8", without pop-up valve, mains receiver, Basic, without mixing
125258 12.696.161.000

IQUA Automatic, non-contact - Basin

- Automatic controled design
- Infrared sensor L20
- Without mixing
 - for cold or mixed water supply
- EcoProtect - water-saving device
- Basic: counter-sunk iqua-click
- Microprocessor-control
 - flow time adjustable (1 second factory setting)
 - short time off (cleaning) activatable
 - continuous water flow (filling) activatable
 - sensor sensitivity adjustable permanent, automatic self-calibration
 - 12- or 24-hour-hygiene flushing activatable
- Fixed spout
 - Neoperl® Cascade®
- Electrovalve
- Fastening by means of stud bolt M8 x 1
- Mounting hole size ø35 mm
- Scope of delivery:
 - Battery 6 V Lithium CRP2
 - lifespan at 100 circuits/day: 4 years
- Avoid using infrared controls near highly reflective surfaces (e.g. mirrors, polished stainless steel basins) as this could cause them to activate accidentally or malfunction.

Flow rate 6 l/min (3 bar)
 Acoustic group I



SAP Number Article Number

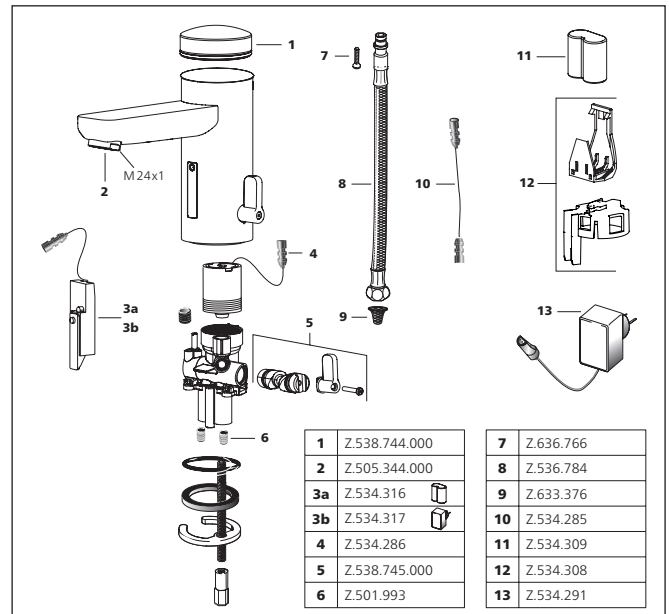
chromeline, A 115, flexible connection hose 3/8", without pop-up valve, battery, Basic, with mixing
125259 12.696.061.000

chromeline, A 115, flexible connection hose 3/8", without pop-up valve, mains receiver, Basic, with mixing
125260 12.696.071.000

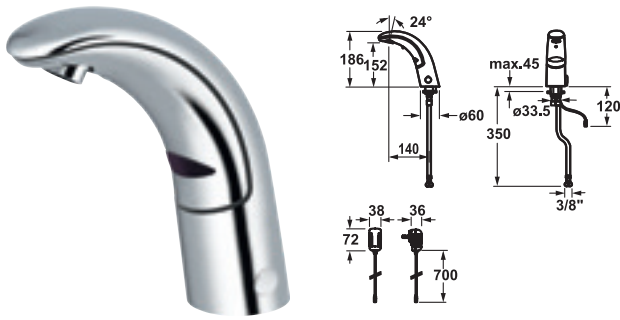
IQUA Automatic, non-contact - Basin

- Automatic controled design
- Infrared sensor L10
- With mixing
 - temperature limiter adjustable
- EcoProtect - water-saving device
- Basic: counter-sunk iqua-click
- Microprocessor-control
 - flow time adjustable (1 second factory setting)
 - short time off (cleaning) activatable
 - continuous water flow (filling) activatable
 - sensor sensitivity adjustable permanent, automatic self-calibration
 - 12- or 24-hour-hygiene flushing activatable
- Fixed spout
 - Neoperl® Cascade®
- Electrovalve
- Fastening by means of stud bolt M8 x 1
- Mounting hole size ø35 mm
- Scope of delivery:
 - Battery 6 V Lithium CRP2
 - lifespan at 100 circuits/day: 4 years
- Avoid using infrared controls near highly reflective surfaces (e.g. mirrors, polished stainless steel basins) as this could cause them to activate accidentally or malfunction.

Flow rate 6 l/min (3 bar)
 Acoustic group I



Automatic faucets



SAP Number	Article Number
chromeline, A 140, flexible connection hose 3/8", without pop-up valve, mains receiver, Basic, without mixing 119602	K.12.JB.52M000N23
chromeline, A 140, flexible connection hose 3/8", without pop-up valve, battery, Basic, without mixing 119603	K.12.JB.52M000B23

SAP Number	Article Number
chromeline, A 140, flexible connection hoses 3/8", without pop-up valve, mains receiver, Basic, with mixing 119599	K.12.JB.52.000N23
chromeline, A 140, flexible connection hoses 3/8", without pop-up valve, battery, Basic, with mixing 119601	K.12.JB.52.000B23

IQUA Automatic, non-contact - Basin

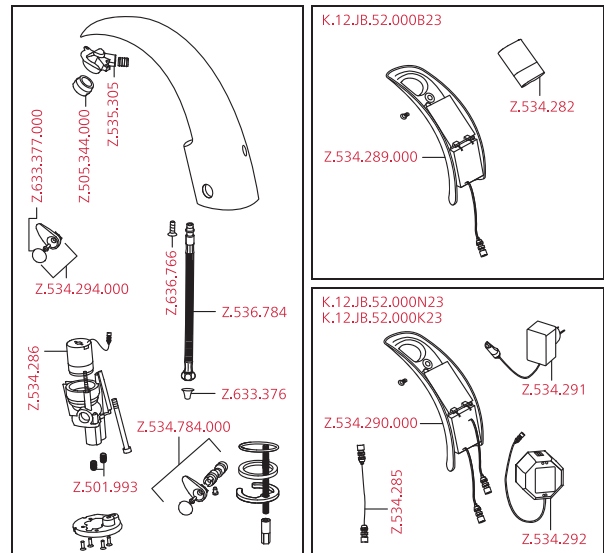
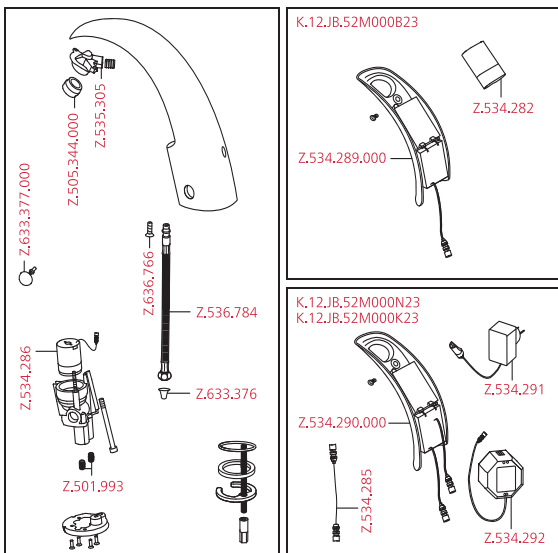
- Automatic controled
 - Dual infrared sensor A20
- Without mixing
 - for cold or mixed water supply
- EcoProtect - water-saving device
- Basic: counter-sunk iqua-click
- Microprocessor-control
 - flow time adjustable (1 second factory setting)
 - short time off (cleaning) activatable
 - continuous water flow (filling) activatable
 - sensor sensitivity adjustable permanent, automatic self-calibration
 - 12- or 24-hour-hygiene flushing activatable
- Fixed spout
 - Neoperl® Cascade®
- OptimalSpace - ample space for washing or working
- Electrovalve
- Fastening by means of stud bolt M8 x 1
- Mounting hole size ø35 mm
- Scope of delivery:
 - Mains receiver 100-240 V / operating voltage 6 V
- Avoid using infrared controls near highly reflective surfaces (e.g. mirrors, polished stainless steel basins) as this could cause them to activate accidentally or malfunction.

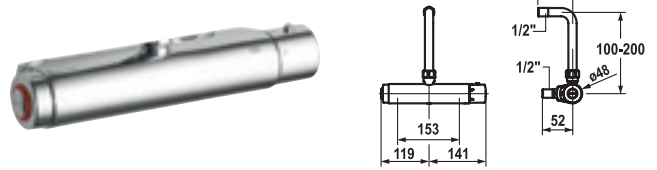
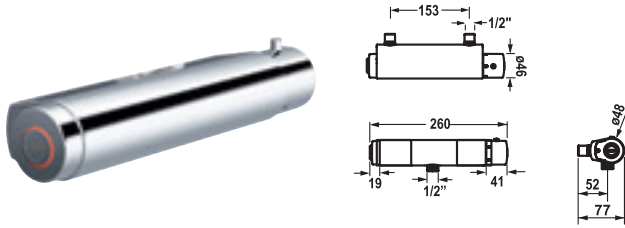
IQUA Automatic, non-contact - Basin

- Automatic controled
 - Dual infrared sensor A10
- With mixing
 - temperature limiter adjustable
- EcoProtect - water-saving device
- Basic: counter-sunk iqua-click
- Microprocessor-control
 - flow time adjustable (1 second factory setting)
 - short time off (cleaning) activatable
 - continuous water flow (filling) activatable
 - sensor sensitivity adjustable permanent, automatic self-calibration
 - 12- or 24-hour-hygiene flushing activatable
- Fixed spout
 - Neoperl® Cascade®
- OptimalSpace - ample space for washing or working
- Electrovalve
- Fastening by means of stud bolt M8 x 1
- Mounting hole size ø35 mm
- Scope of delivery:
 - Mains receiver 100-240 V / operating voltage 6 V
- Avoid using infrared controls near highly reflective surfaces (e.g. mirrors, polished stainless steel basins) as this could cause them to activate accidentally or malfunction.

Flow rate 5 l/min (3 bar)
Acoustic group I

Flow rate 5 l/min (3 bar)
Acoustic group I





SAP Number	Article Number
chromeline, AD 153, battery, without hand shower and hose	
123296	21.692.050.000



SAP Number	Article Number
chromeline, AD 153, battery, without hand shower and hose	
123295	21.692.100.000

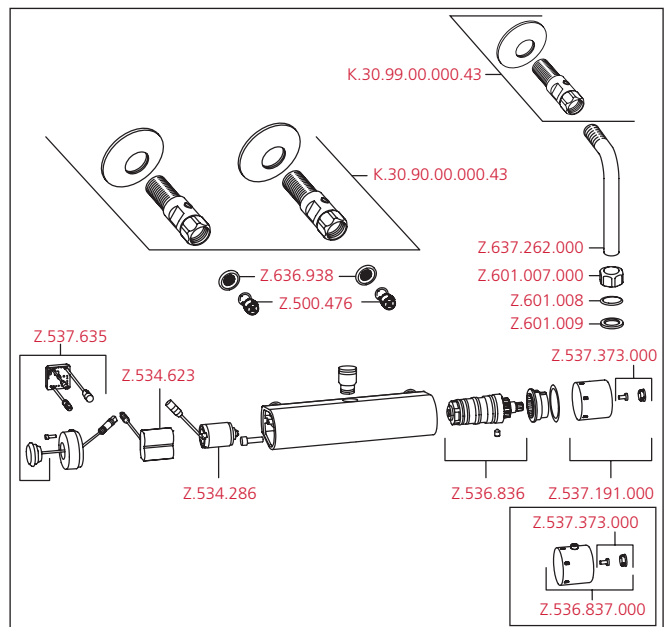
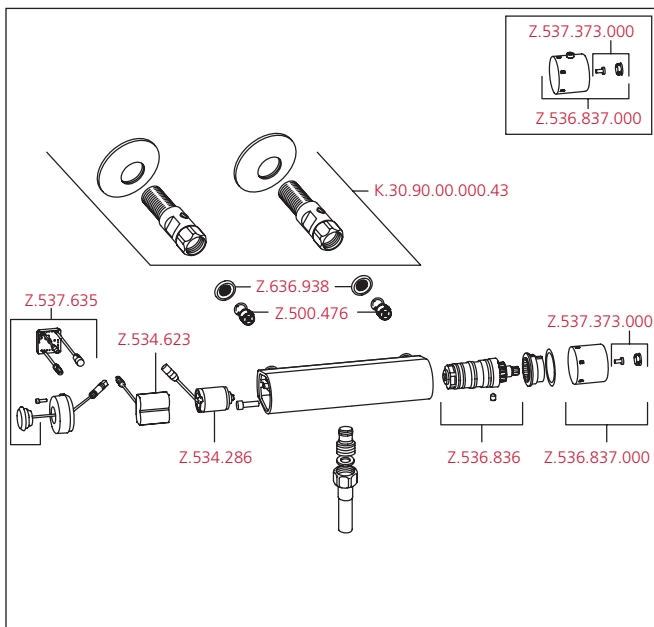
IQUA Thermostatic mixer - Automatic, low-contact - Shower

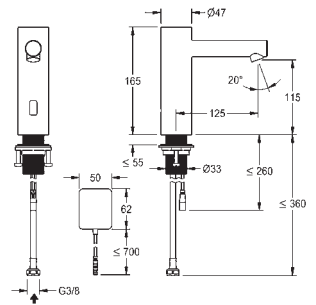
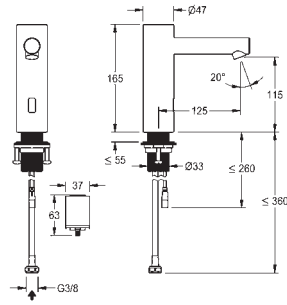
- Automatic controled
 - automatically closing mixer - with Start/Stop button D35
- With mixing
 - thermostat
- SkinProtect - Safety stop prevents scalding
- Microprocessor-control
 - duration of water flow - adjustable, 45 seconds(factory setting)
 - 24 - or 48-hour-hygiene flushing activatable
- Electrovalve
- Scope of delivery:
 - Battery 6 V Lithium waterproof bonded
 - lifespan at 100 circuits/day: 4 years

IQUA Thermostatic mixer - Automatic, low-contact - Shower

- Automatic controled
 - automatically closing mixer - with Start/Stop button D35
- With mixing
 - thermostat
- Wall elbow
- SkinProtect - Safety stop prevents scalding
- Microprocessor-control
 - duration of water flow - adjustable, 45 seconds(factory setting)
 - 24 - or 48-hour-hygiene flushing activatable
- Electrovalve
- Scope of delivery:
 - Battery 6 V Lithium waterproof bonded
 - lifespan at 100 circuits/day: 4 years

Spray outlet: Acoustic group I





SAP Number **Article Number**

stainless steel, A 125, flexible connection hose 3/8",
without drain fitting, battery, without mixing
3600001581 12.576.102.700FL

ONO E Automatic tap, touchless – Washbasin

- Automatic, non-contact, basin
 - opto-electronic controlled
- Made of stainless steel
- Without mixing
 - for cold or mixed water supply
- EcoProtect - water-saving device
- Control electronics
 - 24-hour hygiene flushing adjustable
 - Safety shutdown in case of continuous reflection
 - Storage of statistical data
- Fixed spout
 - Neoperl® Perlator® SSR, swivelling jet regulator
- Electrovalve
- QuickInstallation - Fastening via threaded connection M33 x 1.5 with locking screws
- Mounting hole size ø35 mm
- Scope of delivery:
 - Battery compartment including battery 6V Lithium CRP2 for mounting under the washbasin
- Order separately (optional or if required):
 - Possibility of parameterization via bidirectional remote control, or C-module with an app

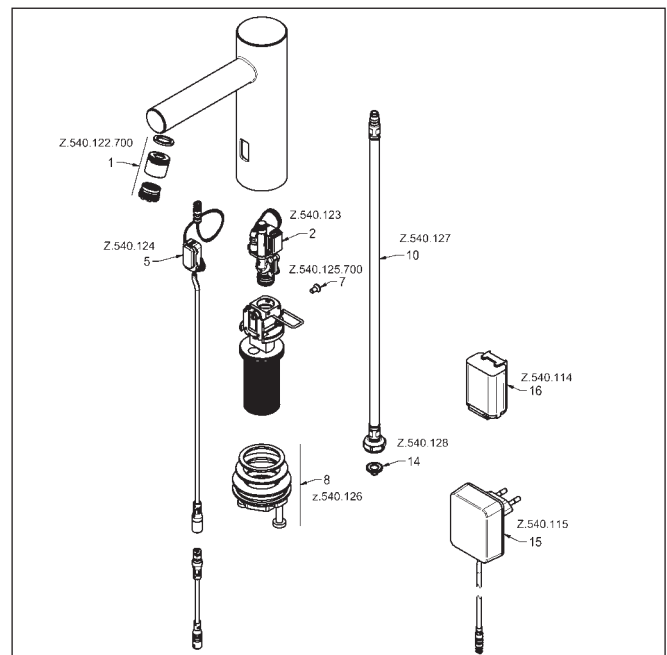
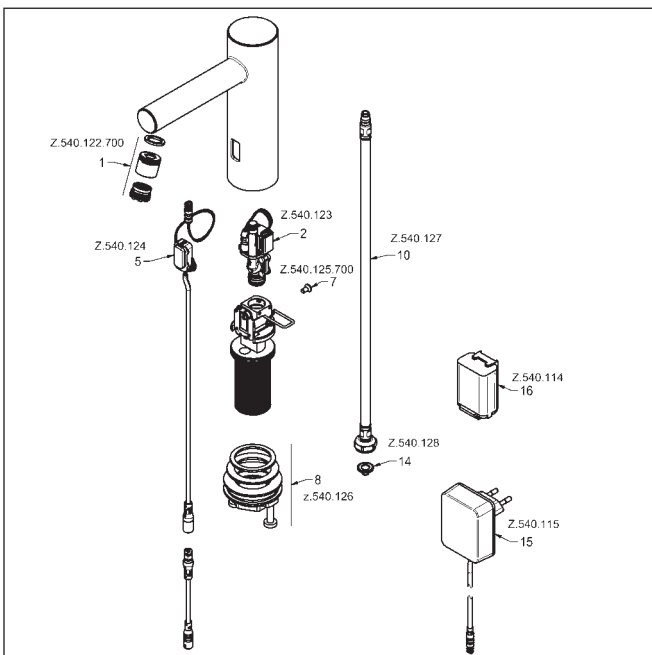


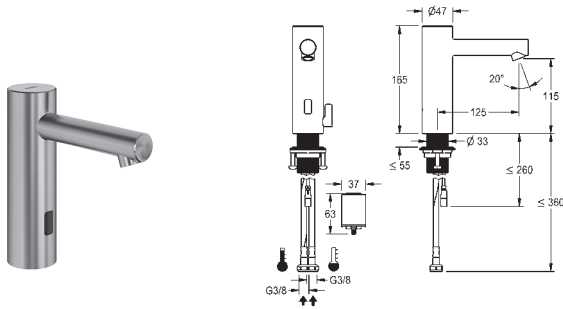
SAP Number **Article Number**

stainless steel, A 125, flexible connection hose 3/8",
without drain fitting, surface-mounted power supply unit,
without mixing
3600001582 12.576.122.700FL

ONO E Automatic tap, touchless – Washbasin

- Automatic, non-contact, basin
 - opto-electronic controlled
- Made of stainless steel
- Without mixing
 - for cold or mixed water supply
- EcoProtect - water-saving device
- Control electronics
 - 24-hour hygiene flushing adjustable
 - Safety shutdown in case of continuous reflection
 - Storage of statistical data
- Fixed spout
 - Neoperl® Perlator® SSR, swivelling jet regulator
- Electrovalve
- QuickInstallation - Fastening via threaded connection M33 x 1.5 with locking screws
- Mounting hole size ø35 mm
- Scope of delivery:
 - Mains receiver 100-240 V AC - 6.75 V DC
- Order separately (optional or if required):
 - Possibility of parameterization via bidirectional remote control, or C-module (3600001331) with an app



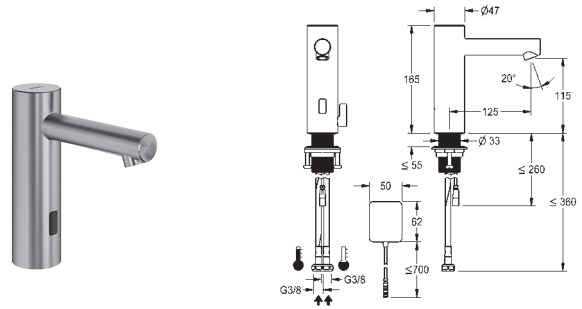


SAP Number Article Number

stainless steel, A 125, flexible connection hoses 3/8", without drain fitting, battery, with mixing
360001583 12.576.012.700FL

ONO E Automatic tap, touchless – Washbasin

- Automatic, non-contact, basin
 - opto-electronic controlled
- Made of stainless steel
- With mixing
 - adjustable, twist-proof temperature stop
- EcoProtect - water-saving device
- Control electronics
 - 24-hour hygiene flushing adjustable
 - Safety shutdown in case of continuous reflection
 - Storage of statistical data
- Fixed spout
 - Neoperl® Perlator® SSR, swivelling jet regulator
- Electrovalve
- QuickInstallation - Fastening via threaded connection M33 x 1.5 with locking screws
- Mounting hole size ø35 mm
- Scope of delivery:
 - Battery compartment including battery 6V Lithium CRP2 for mounting under the washbasin
- Order separately (optional or if required):
 - Possibility of parameterization via bidirectional remote control, or C-module (3600001331) with an app

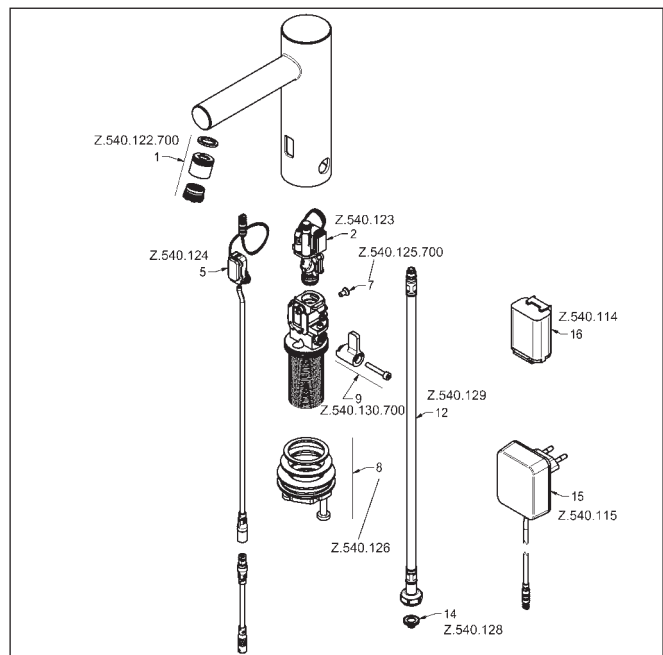
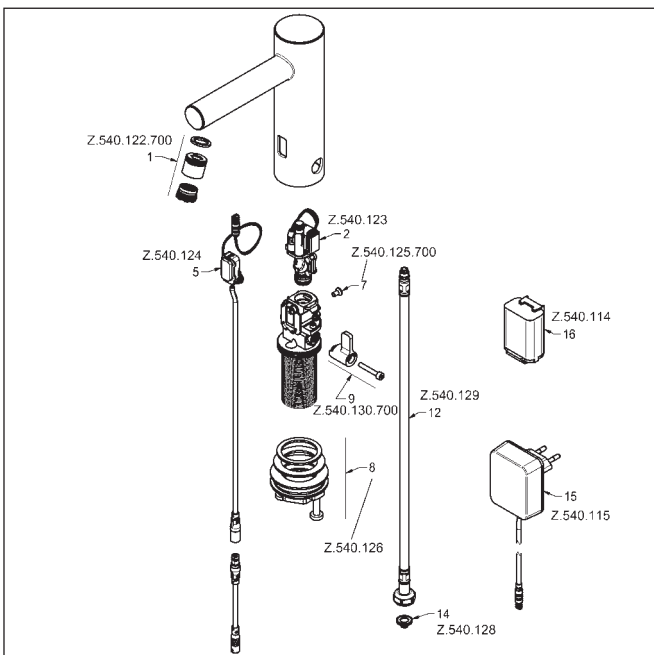


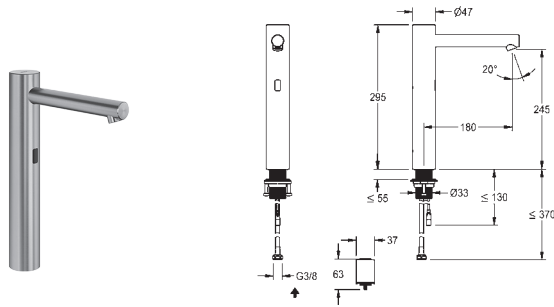
SAP Number Article Number

stainless steel, A 125, flexible connection hoses 3/8", without drain fitting, surface-mounted power supply unit, with mixing
360001584 12.576.022.700FL

ONO E Automatic tap, touchless – Washbasin

- Automatic, non-contact, basin
 - opto-electronic controlled
- Made of stainless steel
- With mixing
 - adjustable, twist-proof temperature stop
- EcoProtect - water-saving device
- Control electronics
 - 24-hour hygiene flushing adjustable
 - Safety shutdown in case of continuous reflection
 - Storage of statistical data
- Fixed spout
 - Neoperl® Perlator® SSR, swivelling jet regulator
- Electrovalve
- QuickInstallation - Fastening via threaded connection M33 x 1.5 with locking screws
- Mounting hole size ø35 mm
- Scope of delivery:
 - Mains receiver 100-240 V AC - 6.75 V DC
- Order separately (optional or if required):
 - Possibility of parameterization via bidirectional remote control, or C-module (3600001331) with an app



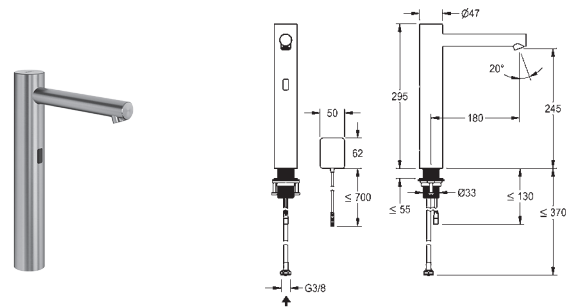


SAP Number **Article Number**

stainless steel, A 180, flexible connection hose 3/8", without drain fitting, battery, without mixing
360001585 12.576.103.700FL

ONO E Automatic tap, touchless – Washbasin

- Automatic, non-contact, basin
 - opto-electronic controlled
- For top-mounted basins
- Made of stainless steel
- Without mixing
 - for cold or mixed water supply
- EcoProtect - water-saving device
- Control electronics
 - 24-hour hygiene flushing adjustable
 - Safety shutdown in case of continuous reflection
 - Storage of statistical data
- Fixed spout
 - Neoperl® Perlator® SSR, swivelling jet regulator
- Electrovalve
- QuickInstallation - Fastening via threaded connection M33 x 1.5 with locking screws
- Mounting hole size ø35 mm
- Scope of delivery:
 - Battery compartment including battery 6V Lithium CRP2 for mounting under the washbasin
- Order separately (optional or if required):
 - Possibility of parameterization via bidirectional remote control, or C-module (360001331) with an app

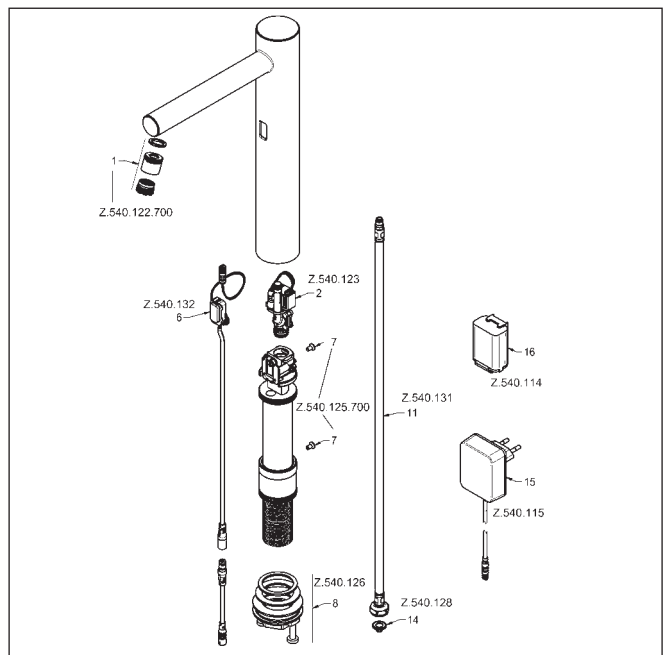
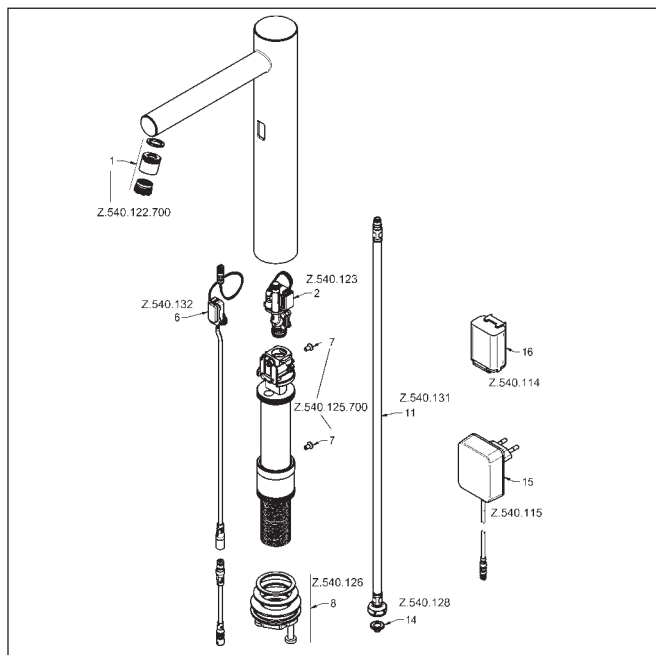


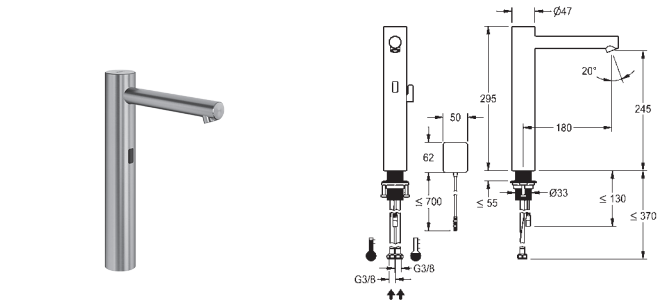
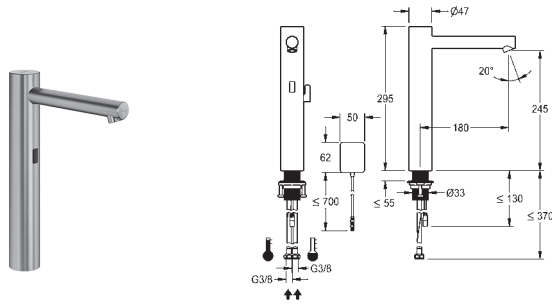
SAP Number **Article Number**

stainless steel, A 180, flexible connection hose 3/8", without drain fitting, surface-mounted power supply unit, without mixing
360001586 12.576.123.700FL

ONO E Automatic tap, touchless – Washbasin

- Automatic, non-contact, basin
 - opto-electronic controlled
- For top-mounted basins
- Made of stainless steel
- Without mixing
 - for cold or mixed water supply
- EcoProtect - water-saving device
- Control electronics
 - 24-hour hygiene flushing adjustable
 - Safety shutdown in case of continuous reflection
 - Storage of statistical data
- Fixed spout
 - Neoperl® Perlator® SSR, swivelling jet regulator
- Electrovalve
- QuickInstallation - Fastening via threaded connection M33 x 1.5 with locking screws
- Mounting hole size ø35 mm
- Scope of delivery:
 - Mains receiver 100-240 V AC - 6.75 V DC
- Order separately (optional or if required):
 - Possibility of parameterization via bidirectional remote control, or C-module (360001331) with an app





SAP Number **Article Number**

stainless steel, A 180, flexible connection hoses 3/8",
without drain fitting, battery, with mixing
360001587 12.576.013.700FL

ONO E Automatic tap, touchless – Washbasin

- Automatic, non-contact, basin
 - opto-electronic controlled
- For top-mounted basins
- Made of stainless steel
- With mixing
 - adjustable, twist-proof temperature stop
- EcoProtect - water-saving device
- Control electronics
 - 24-hour hygiene flushing adjustable
 - Safety shutdown in case of continuous reflection
 - Storage of statistical data
- Fixed spout
 - Neoperl® Perlator® SSR, swivelling jet regulator
- Electrovalve
- QuickInstallation - Fastening via threaded connection M33 x 1.5 with locking screws
- Mounting hole size ø35 mm
- Scope of delivery:
 - Battery compartment including battery 6V Lithium CRP2 for mounting under the washbasin
- Order separately (optional or if required):
 - Possibility of parameterization via bidirectional remote control, or C-module (360001331) with an app

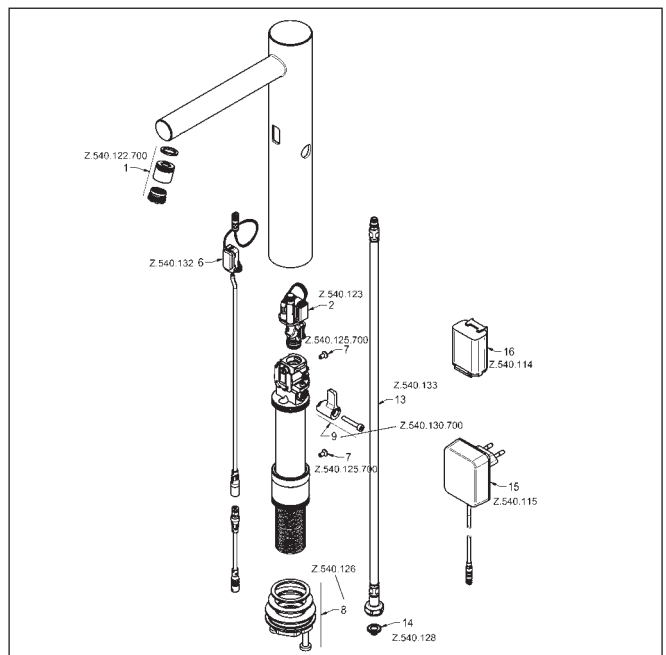
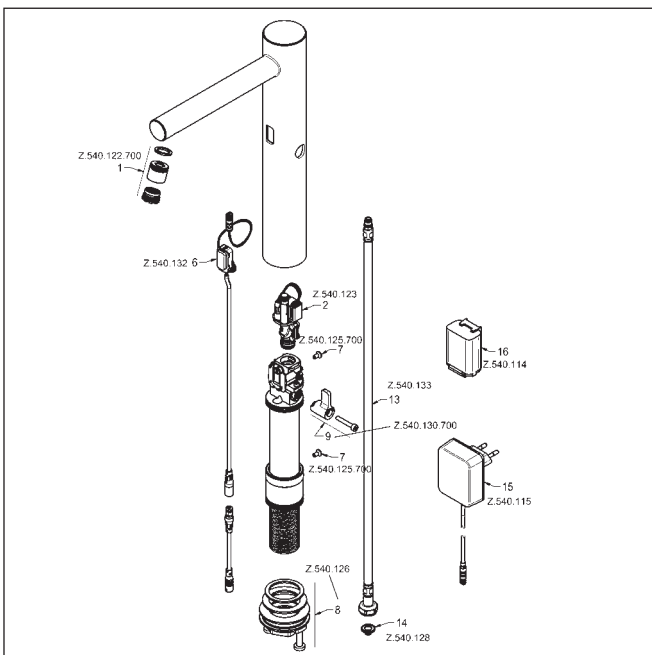


SAP Number **Article Number**

stainless steel, A 180, flexible connection hoses 3/8",
without drain fitting, surface-mounted power supply unit,
with mixing
360001588 12.576.023.700FL

ONO E Automatic tap, touchless – Washbasin

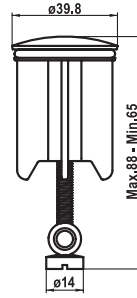
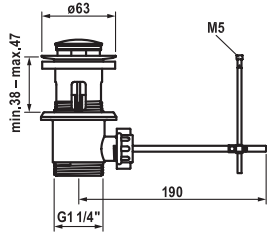
- Automatic, non-contact, basin
 - opto-electronic controlled
- For top-mounted basins
- Made of stainless steel
- With mixing
 - adjustable, twist-proof temperature stop
- EcoProtect - water-saving device
- Control electronics
 - 24-hour hygiene flushing adjustable
 - Safety shutdown in case of continuous reflection
 - Storage of statistical data
- Fixed spout
 - Neoperl® Perlator® SSR, swivelling jet regulator
- Electrovalve
- QuickInstallation - Fastening via threaded connection M33 x 1.5 with locking screws
- Mounting hole size ø35 mm
- Scope of delivery:
 - Mains receiver 100-240 V AC - 6.75 V DC
- Order separately (optional or if required):
 - Possibility of parameterization via bidirectional remote control, or C-module with an app





Accessories

Pop-up valve Push Open	256
Shut-off valve	258
Soap dispensers	260
Siphons	263
Concealed units	264
Bath spouts	271



SAP Number	Article Number
chromeline 538581	Z.538.581.000

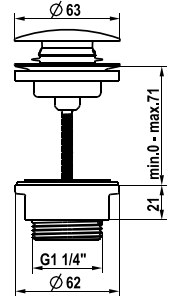
SAP Number	Article Number
chromeline, L 60 538892	Z.538.349.000

Pop-up valve

- KWC pop-up valve
- with long lifting rod
- Made of brass
- with long drainage slots
- also suitable for thin-walled sinks

Pop-up waste stopper

- Pop-up waste stopper
- Suitable for:
 - KWC pop-up valve Z.538.581.000



SAP Number	Article Number
brushed steel 360004125	Z.538.581.177

SAP Number	Article Number
chromeline 360004482	Z.540.049.000

Pop-up valve

- KWC pop-up valve
- with long lifting rod
- Made of brass
- with long drainage slots
- also suitable for thin-walled sinks

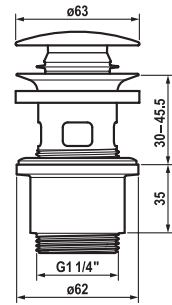
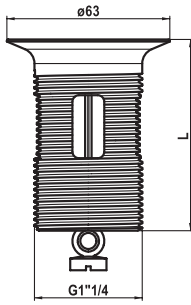
SAP Number	Article Number
stainless steel 360004483	Z.540.049.700

Pop-up valve Push Open

- KWC pop-up valve Push Open
- Made of stainless steel
- 2 in 1 function
 - press to open and close
 - can be locked in the open position
- For washstands with or without an overflow

KWC Pop-up valve Push Open

INDEX



SAP Number	Article Number
chromeline, L 60 538893	Z.538.346.000
chromeline, L 80 538347	Z.538.347.000
chromeline, L 100 538348	Z.538.348.000

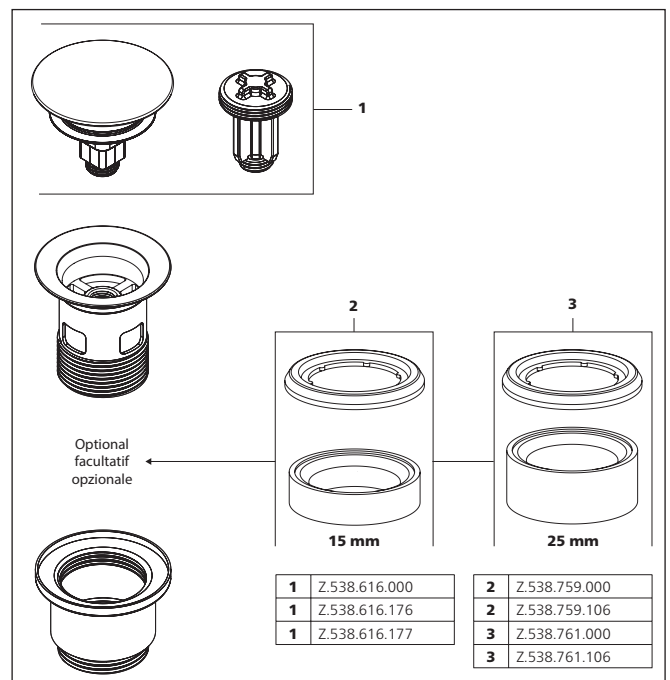
Waste valve seat with pop-up

- Waste valve seat with pop-up
- Suitable for:
 - KWC pop-up valve Z.538.581.000 and K.14.90.00.000

SAP Number	Article Number
chromeline 538321	Z.538.321.000
matt black 538523	Z.538.321.176
brushed steel 538524	Z.538.321.177

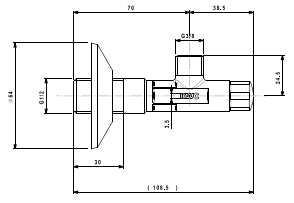
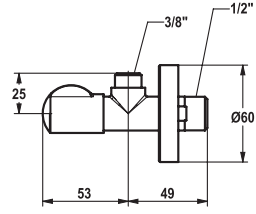
Pop-up valve Push Open

- KWC pop-up valve Push Open
- 2 in 1 function
 - press to open and close
 - can be locked in the open position
- For washstands with or without an overflow
- To be ordered separately (optional or if necessary):
 - Spacer ring (only for washbasins without an overflow)
 - 15 mm Z.538.759.000 or 25 mm Z.538.761.000



Accessories

KWC Shut-off valve



SAP Number	Article Number
matt black, A 45, G 3/8", G 1/2" 125561	27.002.060.176
brushed steel, A 45, G 3/8", G 1/2" 125562	27.002.060.177

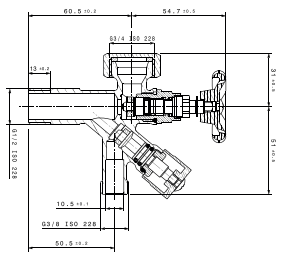
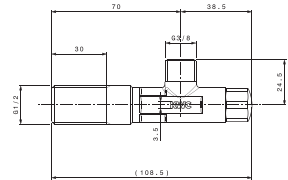
Shut-off valve

- Connecting thread 1/2"
- without Compression fitting

SAP Number	Article Number
chromeline, A 45, 3/8" thread, 1/2" thread 125611	27.002.061.000
raw, A 45, 3/8" thread, 1/2" thread 125612	27.002.070.931
chromeline, 1/2" thread 125613	27.002.080.931

Shut-off valve

- Connecting thread 1/2"
- without Compression fitting



SAP Number	Article Number
chromeline, A 45, 3/8" thread, 1/2" thread 125611	27.002.061.000
raw, A 45, 3/8" thread, 1/2" thread 125612	27.002.070.931
chromeline, 1/2" thread 125613	27.002.080.931

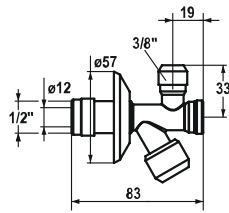
Shut-off valve

- Connecting thread 1/2"
- without Compression fitting

SAP Number	Article Number
chromeline, A 45, 3/8" thread, 1/2" thread 125611	27.002.061.000
raw, A 45, 3/8" thread, 1/2" thread 125612	27.002.070.931
chromeline, 1/2" thread 125613	27.002.080.931

Shut-off valve

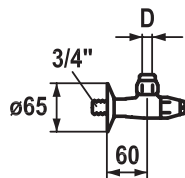
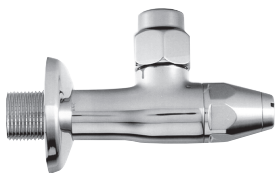
- Connecting thread 1/2"
- without Compression fitting



SAP Number	Article Number
chromeline	
536576	Z.536.576.000

Shut-off valve with filter

- Connecting thread 1/2"
- Compression fitting length compensation for copper tube



SAP Number	Article Number
chromeline, A 60, G 3/4", D 15	
101063	K.27.40.25.000A48

GASTRO shut-off valve

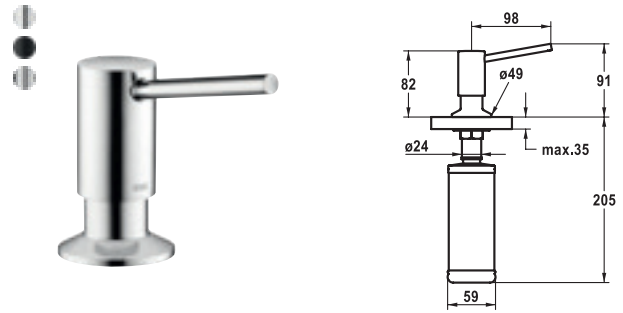
- Stop/angle valve
- 3/4" connection
- Double compensation connection
- Supplied:
 - Double connection 3/4" - 15 mm Z.500.752.000



SAP Number	Article Number
chromeline 536159	Z.536.159.000
decor steel 536177	Z.536.159.127
matt black 538981	Z.536.159.176

AVA Soap dispenser

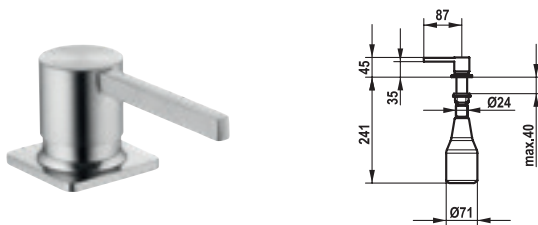
- Soap dispenser KWC AVA
- Easily refillable from top without disassembly
- Mounting hole size $\varnothing 26$ mm
- Scope of delivery:
 - Pump
 - Soap container, filling capacity 350 ml Z.635.713



SAP Number	Article Number
chromeline 538409	Z.538.409.000
matt black 538410	Z.538.409.176
brushed steel 538411	Z.538.409.177

BASIC Soap dispenser

- Soap dispenser KWC BASIC
- Easily refillable from top without disassembly
- Mounting hole size $\varnothing 26$ mm
- Scope of delivery:
 - Pump
 - Soap container, filling capacity 320 ml Z.639.549



SAP Number	Article Number
stainless steel 538038	Z.538.038.700

ERA Soap dispenser

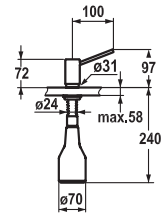
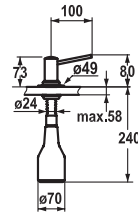
- Soap dispenser KWC ERA
- Easily refillable from top without disassembly
- Mounting hole size $\varnothing 26$ mm
- Scope of delivery:
 - Pump
 - Soap container, filling capacity 350 ml Z.538.053



SAP Number	Article Number
chromeline 536063	Z.536.063.000
glacier white 536262	Z.536.063.150
stainless steel 536064	Z.536.063.700
black chrome-plated 536263	Z.536.063.151

EVE Soap dispenser

- Soap dispenser KWC EVE
- Easily refillable from top without disassembly
- Mounting hole size $\varnothing 26$ mm
- Scope of delivery:
 - Pump
 - Soap container, filling capacity 350 ml Z.635.713
- To be ordered separately (optional or if necessary):
 - Escutcheon Z.536.291.000



SAP Number	Article Number
chromeline 536109	Z.536.109.000

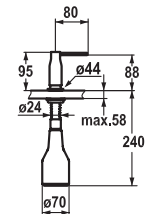
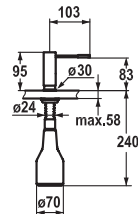
SAP Number	Article Number
stainless steel 536062	Z.536.062.700

PRIMO Soap dispenser

- Soap dispenser KWC PRIMO
- Easily refillable from top without disassembly
- Mounting hole size $\varnothing 26$ mm
- Scope of delivery:
 - Pump
 - Soap container, filling capacity 350 ml Z.635.713

INOX Soap dispenser

- Soap dispenser KWC INOX
- Easily refillable from top without disassembly
- Mounting hole size $\varnothing 26$ mm
- Scope of delivery:
 - Pump
 - Soap container, filling capacity 350 ml Z.635.713



SAP Number	Article Number
chromeline 536060	Z.536.060.000

SAP Number	Article Number
chromeline 536332	Z.536.332.000

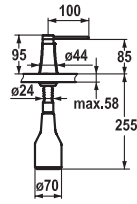
SAP Number	Article Number
stainless steel 536061	Z.536.060.700

ONO Soap dispenser

- Soap dispenser KWC ONO
- Easily refillable from top without disassembly
- Mounting hole size $\varnothing 26$ mm
- Scope of delivery:
 - Pump
 - Soap container, filling capacity 350 ml Z.635.713
- To be ordered separately (optional or if necessary):
 - Escutcheon Z.536.291.000

SIN Soap dispenser

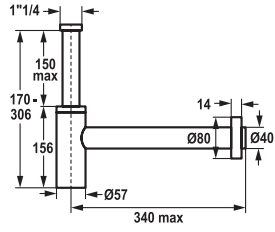
- Soap dispenser KWC SIN
- Easily refillable from top without disassembly
- Mounting hole size $\varnothing 26$ mm
- Scope of delivery:
 - Pump
 - Soap container, filling capacity 350 ml Z.635.713



SAP Number	Article Number
chromeline 536586	Z.536.586.000
matt black 538345	Z.536.586.176
decor steel 536587	Z.536.586.127
glacier white 536932	Z.536.586.150

ZOE Soap dispenser

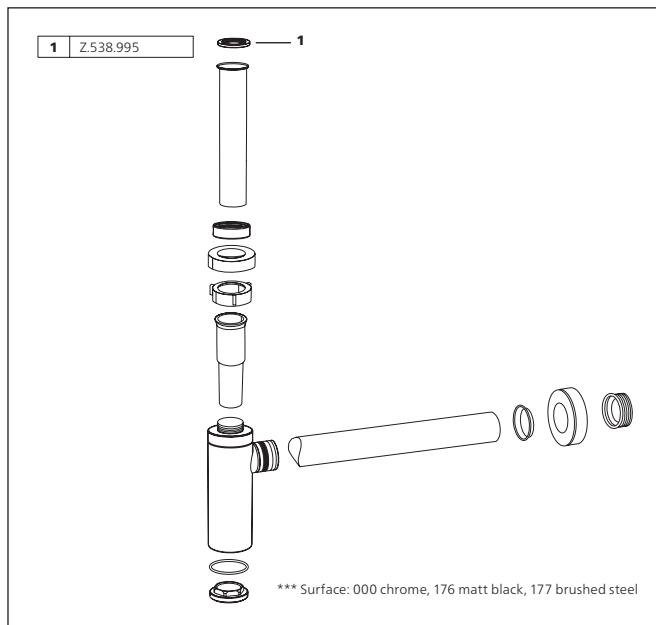
- Soap dispenser KWC ZOE
- Easily refillable from top without disassembly
- Mounting hole size ø26 mm
- Scope of delivery:
 - Pump
 - Soap container, filling capacity 350 ml Z.635.713
- To be ordered separately (optional or if necessary):
 - Escutcheon Z.536.291.000

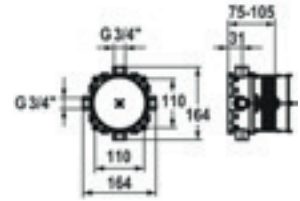
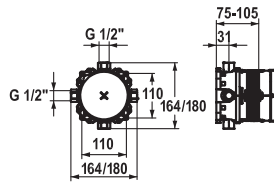


SAP Number	Article Number
chromeline 538992	Z.538.992.000
matt black 538993	Z.538.992.176
brushed steel 538994	Z.538.992.177

Siphon

- Siphon
- Made of stainless steel
- Connection thread at drain valve 1 ¼"
- Wall connection ø40





SAP Number	Article Number
931 raw, G 1/2", without shut-off valve, Concealed unit 124005	39.999.900.931
931 raw, G 3/4" (1/2"), with shut-off valve, Concealed unit 124006	39.999.910.931

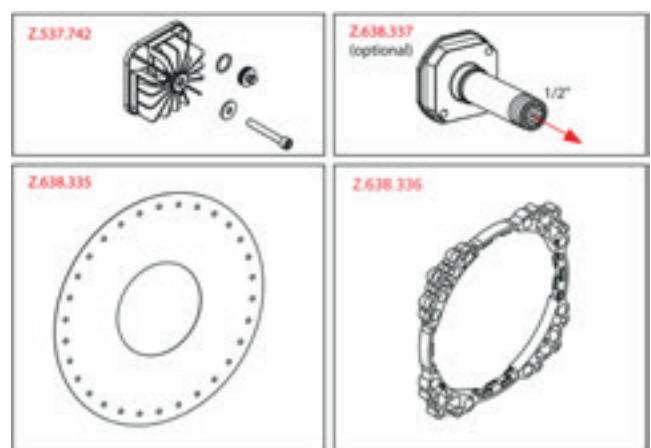
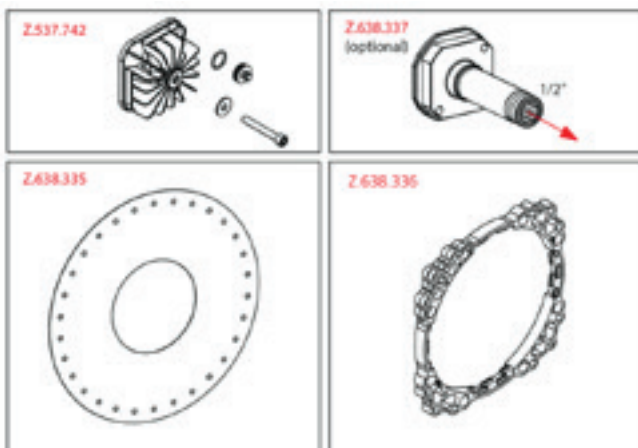
SAP Number	Article Number
931 raw, G 3/4", with shut-off valve, Concealed unit 124241	39.999.930.931

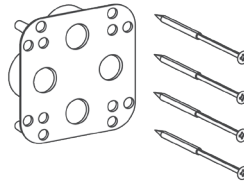
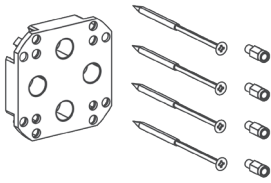
BLUEBOX Concealed unit compact

- Concealed unit compact
- Connecting thread 1/2" (stopper 1/2" incl. in delivery)
- Scope of delivery:
 - Installation box and cover sleeve, plastic incl. sealing sleeve
 - Multifix fastening system
- Installation materials concealed unit (to be ordered separately):
 - Mounting rail Z.537.995
- Installation materials trim kit (to be ordered separately):
 - Reverse adapter 15 mm Z.537.953
 - Extension set 15 mm Z.537.595
 - Escutcheon extension square 15 mm Z.537.594
 - Escutcheon extension round 15 mm Z.537.600
 - Alignment set ±3.5° Z.537.593

BLUEBOX Concealed unit compact

- Concealed unit compact
- Integrated shut-off valves cold and hot water
- Connecting thread 3/4" (stopper 3/4" incl. in delivery)
- Scope of delivery:
 - Installation box and cover sleeve, plastic incl. sealing sleeve
 - Multifix fastening system
- Installation materials concealed unit (to be ordered separately):
 - Mounting rail Z.537.995
- Installation materials trim kit (to be ordered separately):
 - Reverse adapter 15 mm Z.537.953
 - Extension set 15 mm Z.537.595
 - Escutcheon extension square 15 mm Z.537.594
 - Escutcheon extension round 15 mm Z.537.600
 - Alignment set ±3.5° Z.537.593





SAP Number	Article Number
Extension set 15 mm 537595	Z.537.595

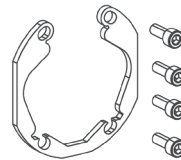
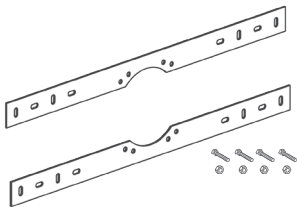
SAP Number	Article Number
Reverse adapter 15mm 537953	Z.537.953

BLUEBOX Extension set 15 mm

- Extension set 15 mm

BLUEBOX Reverse adapter

- Reverse adapter
 - change of cold / warm inlet or water outlets top / bottom
 - extension of 15 mm



SAP Number	Article Number
Installation kit 537995	Z.537.995

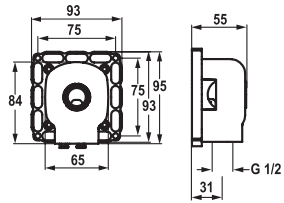
SAP Number	Article Number
Alignment set ±3.5° 537593	Z.537.593

BLUEBOX Installation kit

- Installation kit

BLUEBOX Alignment set

- Alignment set ±3.5°



SAP Number	Article Number
931 roh, G 1/2", Concealed unit	
124007	39.999.920.931

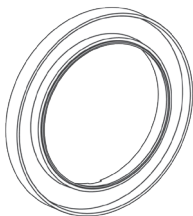
BLUEBOX Concealed unit

- Concealed unit Connecting angle
- Connecting thread 1/2"
- Scope of delivery:
 - Multifix fastening system

SAP Number	Article Number
Excutcheon extension 15 mm square	
537594	Z.537.594

BLUEBOX Excutcheon extension

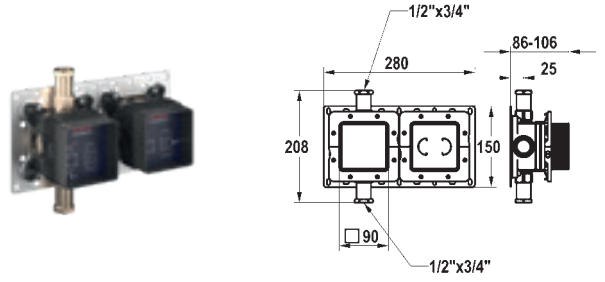
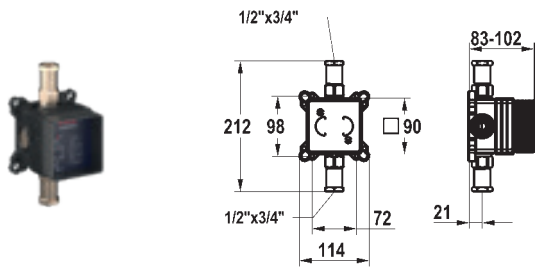
- Excutcheon extension 15 mm square



SAP Number	Article Number
Excutcheon extension 15 mm round	
537600	Z.537.600

BLUEBOX Excutcheon extension

- Excutcheon extension 15 mm round



SAP Number **Article Number**

raw, 1/2" thread, with shut-off valve,
unit for concealed installation
125286 39.006.251.931

SAP Number **Article Number**

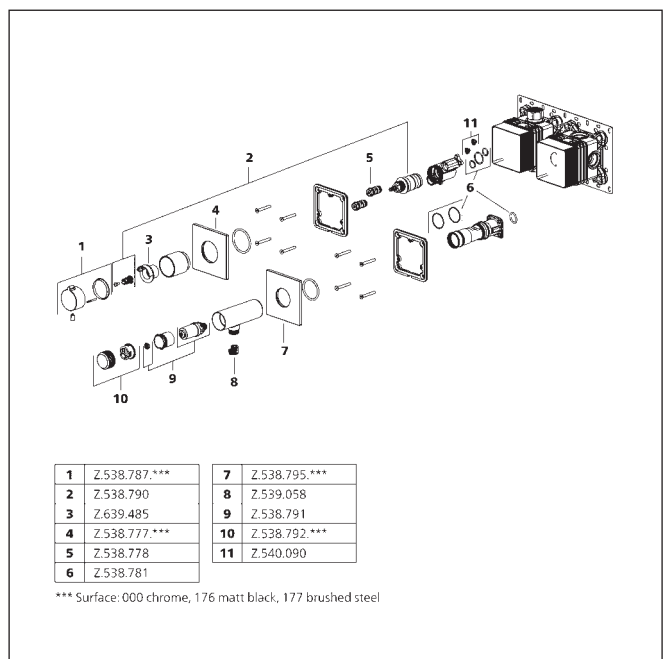
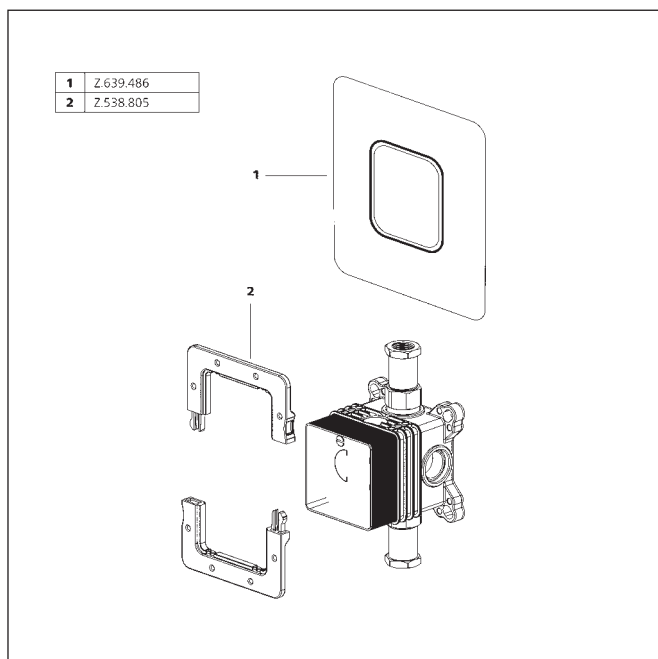
raw, 1/2" thread, with shut-off valve,
unit for concealed installation
125288 39.006.271.931

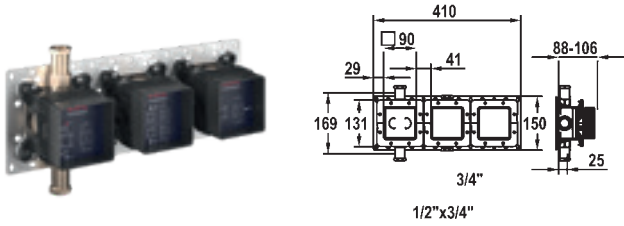
HOMEBOX Unit for concealed installation

- Concealed unit compact
- Made of dezincification-resistant material
- Integrated shut-off valves
- With sound decoupling
- Connecting thread 3/4"
- (2x reductions 3/4" - 1/2" incl. in delivery)
- Scope of delivery:
 - Mounting box and protective cap incl. sealing sleeve EN18534
 - Multifix fastening system
 - Mounting ring set Z.538.805
- Suitable for:
 - KWC HOMEBOX Lever mixer 1 consumer
- Installation materials concealed unit (to be ordered separately):
 - Mounting rail Z.538.900
- Installation materials trim kit (to be ordered separately):
 - Extension set 10 mm (1 pc.) Lever mixer 1 consumer Z.538.806
 - escutcheon extension 10 mm (1pce.) Z.538.489.000

HOMEBOX Unit for concealed installation

- Concealed unit compact
- Made of dezincification-resistant material
- Integrated shut-off valves
- With sound decoupling
- Connecting thread 3/4"
- (2x reductions 3/4" - 1/2" incl. in delivery)
- Scope of delivery:
 - Mounting box and protective cap incl. sealing sleeve EN18534
 - Multifix fastening system
 - Mounting ring set Z.538.805
- Suitable for:
 - KWC HOMEBOX Thermostatic mixer 1 consumer
- Installation materials concealed unit (to be ordered separately):
 - Mounting rail Z.538.900
- Installation materials trim kit (to be ordered separately):
 - Extension set 10 mm (1 pc.) Thermostatic mixer 1 consumer Z.538.808
 - escutcheon extension 10 mm (1pce.) Z.538.489.000

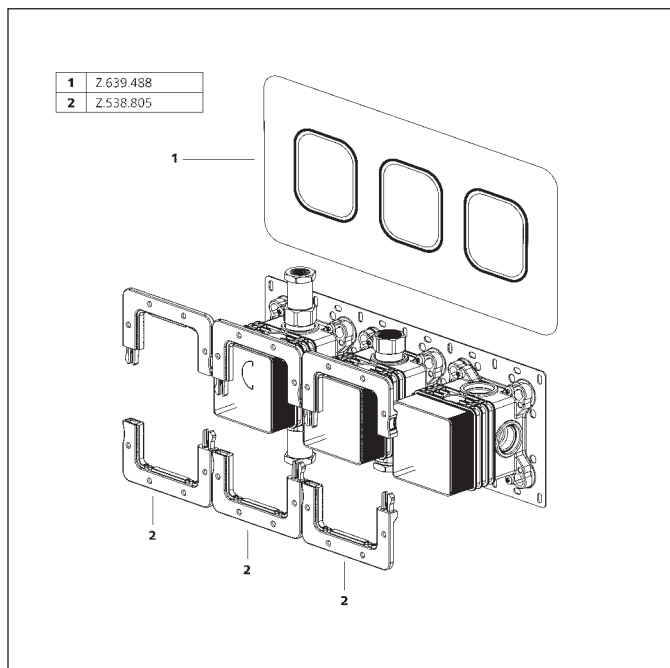


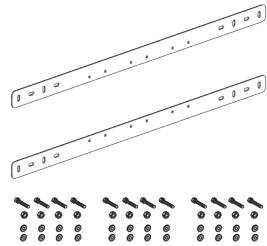
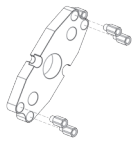


SAP Number	Article Number
raw, 1/2" thread, with shut-off valve, unit for concealed installation	
125287	39.006.261.931

HOMEBOX Unit for concealed installation

- Concealed unit compact
- Made of dezincification-resistant material
- Integrated shut-off valves
- With sound decoupling
- Connecting thread 3/4"
- (1x stopper 3/4" and 2x reductions 3/4" - 1/2" incl. in delivery)
- Scope of delivery:
 - Mounting box and protective cap incl. sealing sleeve EN18534
 - Multifix fastening system
 - Mounting ring set Z.538.805
- Suitable for:
 - KWC HOMEBOX Thermostatic mixer / lever mixer 2 consumers
- Installation materials concealed unit (to be ordered separately):
 - Mounting rail Z.538.900
- Installation materials trim kit (to be ordered separately):
 - Extension set 10 mm (1 pc.) Thermostatic / lever mixer 2 consumers Z.538.807
 - escutcheon extension 10 mm (1pce.) Z.538.489.000





SAP Number	Article Number
Extension set 10 mm, lever mixer 1 consumer 538806	Z.538.806
Extension set 10 mm, thermostatic / lever mixer 2 consumers 538807	Z.538.807
Extension set 10 mm, thermostatic mixer 1 consumer 538808	Z.538.808

Extension set 10 mm, lever mixer single outlet

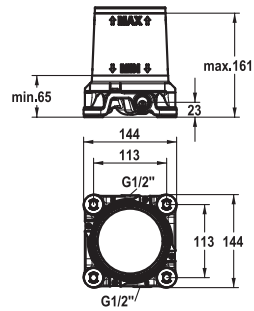
SAP Number	Article Number
Mounting rail for KWC HOMEBOX 538900	Z.538.900

Mounting rail for KWC HOMEBOX



SAP Number	Article Number
chromeline 639489	Z.639.489.000
matt black 639490	Z.639.489.176
brushed steel 639491	Z.639.489.177

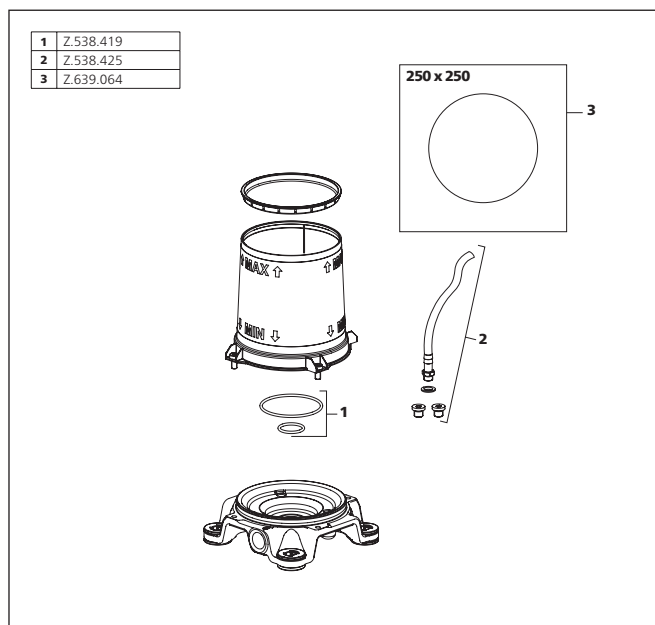
Excutechon extension 10 mm

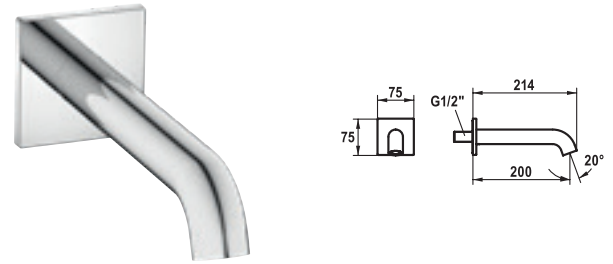


SAP Number	Article Number
G 1/2", without shut-off valve, Concealed unit	
124801	39.000.602.931

DOMO 6.0 Concealed unit

- Pre-assembly unit
- Cold and hot water connections are exchangeable after installation
- Connecting thread 1/2"
- Scope of delivery:
 - Installation box and cover sleeve, plastic incl. sealing sleeve in accordance with EN18534
 - with vibration damper
 - incl. flushing set and plugs
- Without installation materials





SAP Number	Article Number
chromeline, A 200 124708	26.008.043.000
matt black, A 200 125403	26.008.043.176
brushed steel, A 200 125404	26.008.043.177

Bathtub spout style

- Bathtub spout style
- Fixed spout
 - Neoperl® Caché®
- Connecting thread ½"

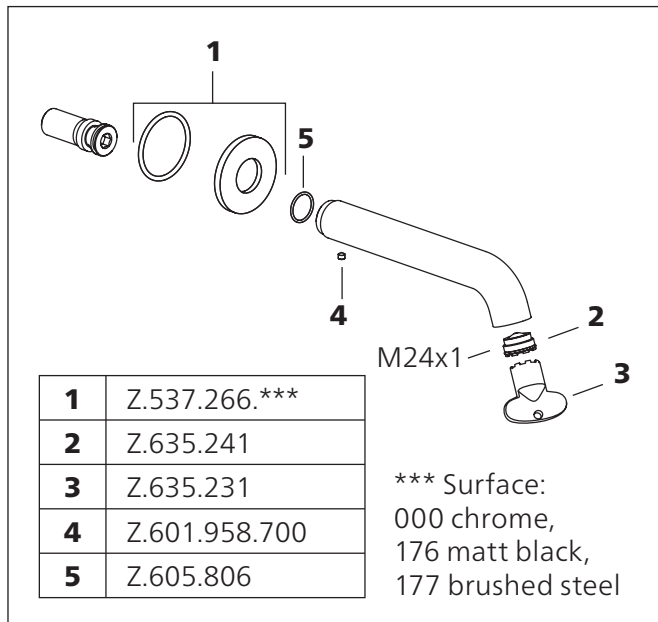
Flow rate 29 l/min (3 bar)
Acoustic group yes

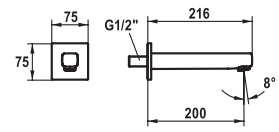
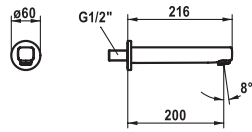
SAP Number	Article Number
chromeline, A 200 124709	26.008.053.000

Bathtub spout style

- Bathtub spout style
- Fixed spout
 - Neoperl® Caché®
- Connecting thread ½"

Flow rate 29 l/min (3 bar)
Acoustic group yes





SAP Number	Article Number
------------	----------------

chromeline, A 200	
124706	26.008.023.000

Bathtub spout design

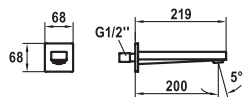
- Bathtub spout design
- Fixed spout
 - Neoperl® Cascade®
- Connecting thread ½"

SAP Number	Article Number
------------	----------------

chromeline, A 200	
124707	26.008.033.000

Bathtub spout design

- Bathtub spout design
- Fixed spout
 - Neoperl® Cascade®
- Connecting thread ½"



SAP Number	Article Number
------------	----------------

stainless steel, A 200	
124962	26.458.033.700

Bathtub spout

- Bathtub spout
- Fixed spout
 - Neoperl® Perlator® SSR, swivelling jet regulator
- Connecting thread ½"
- Suitable for:
 - KWC AVA E



Spare parts

Tools	276
Spare parts	282
Index	286
Information & General conditions	292

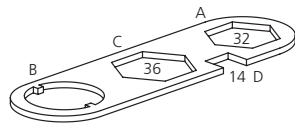


SAP Number	Article Number
536028	Z.536.028

Basin wrench SW 36

SAP Number	Article Number
538372	Z.536.448

**Torque wrench with various inserts
SW 36, SW 34, SW 32, SW 30, SW 27, SW 24**



SAP Number	Article Number
635392	Z.635.392

Combination wrench ONO

SAP Number	Article Number
stainless steel 636126	Z.636.126.700

Wrench SW 42 / SW 45



SAP Number	Article Number
stainless steel 636127	Z.636.127.700

Wrench SW 30 / SW 34



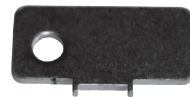
SAP Number	Article Number
stainless steel 636707	Z.636.707.700

Wrench SW 38 / SW 42



SAP Number	Article Number
901 vernickelt 604638	Z.604.638.901

Splined key for valve



SAP Number	Article Number
chromeline 604451	Z.604.451.000

Pin wrench for burglarproof CORONA handles



SAP Number	Article Number
600774	Z.600.774
Universal faucet grease, bag 2 g	

SAP Number	Article Number
538201	Z.531.396
Universal faucet grease, can 125 g	



SAP Number	Article Number
635075	Z.635.075
Wrench to shower filter SIN	



SAP Number	Article Number
536153	Z.536.153
Base set for corner model	



SAP Number	Article Number
636254	Z.636.254
Service key Neoperl © Caché ©, TT, 16 mm, yellow	



SAP Number	Article Number
634729	CACHETJ
Service key Neoperl © Caché ©, TJ, 18 mm, green	



SAP Number	Article Number
639017	Z.635.215
Service key Neoperl © Caché ©, JR, 21 mm, red	



SAP Number	Article Number
635231	Z.635.231
Service key Neoperl © Caché ©, STD, 24 mm, grey	



SAP Number	Article Number
635966	Z.635.966
Service key Neoperl © Caché ©, SLIM TT, 18 mm, blue	

Article Number
638338
Z.638.338
Service key Neoperl © casing M20x1, orange



SAP Number	Article Number
638306	Z.638.306
Microspray key	

SAP Number	Article Number
636508	Z.636.508
Universal key caché ©, dark grey	



SAP Number	Article Number
------------	----------------

Wrench to KWC KIO pull-out spray	
----------------------------------	--

538810	Z.538.810
---------------	-----------

Wrench to KIO pull-out spray



SAP Number	Article Number
538711	Z.536.032

Cartridge S 25

- KWC cartridge S 25

SAP Number	Article Number
536570	Z.534.836

Cartridge M 35

- KWC cartridge M 35



SAP Number	Article Number
538327	Z.537.582

Cartridge M 35 H

- KWC cartridge M 35 H

SAP Number	Article Number
538331	Z.537.710

Cartridge M 35 OP

- KWC cartridge M 35 OP



SAP Number	Article Number
538329	Z.537.584

Cartridge M 35 S

- KWC cartridge M 35 S

SAP Number	Article Number
537602	Z.537.602

Cartridge M 35-S HF

- KWC cartridge M 35-S HF



SAP Number	Article Number
536591	K.32.60.00

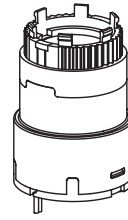
Cartridge L 39 - universal

- KWC cartridge L 39 - universal

SAP Number	Article Number
536670	Z.535.645

Cartridge with safety device L 39 - universal

- KWC cartridge with safety device L 39 - universal



SAP Number	Article Number
536572	Z.535.362

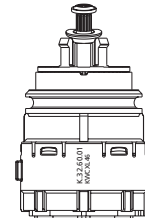
Cartridge L 40

- KWC cartridge L 40

SAP Number	Article Number
M004342	Z.634.819

Cartridge L 40 - electronic

- KWC cartridge L 40 - electronic



SAP Number	Article Number
536689	Z.535.647

Cartridge with safety device L 46 - high capacity

- KWC cartridge with safety device L 46 - high capacity

SAP Number	Article Number
536695	K.32.60.01

Cartridge

- KWC cartridge XL 46 - high capacity



SAP Number	Article Number
raw 501546	K.32.40.01.931

Flat valves M20 x 1.25

- Flat valves M20 x 1.25

SAP Number	Article Number
raw 500631	K.32.40.10.931

Flat valves M20 x 1.25 with back flow preventer

- Flat valves M20 x 1.25 with back flow preventer



SAP Number	Article Number
501297	Z.501.297

Ceramic disc valve

- Ceramic disc valve 1/2"

KWC-Nr.	SAP-Nr.	Page	KWC-Nr.	SAP-Nr.	Page	KWC-Nr.	SAP-Nr.	Page
10.111.102.000FL	121619	30	10.371.023.000FL	123995	69	10.531.103.700FL	125350	14
10.111.102.700FL	121617	30	10.371.033.000FL	123994	69	10.531.103.751FL	125351	14
10.111.103.000FL	121241	30	10.392.022.700FL	124402	28	10.531.112.700FL	125344	12
10.111.103.700FL	121326	30	10.392.023.700FL	124396	28	10.531.112.751FL	125590	12
10.121.102.000FL	121618	31	10.392.024.700FL	124399	27	10.541.002.000FL	125576	35
10.121.102.700FL	121616	31	10.392.323.700FL	124405	26	10.541.002.176FL	125577	35
10.121.103.000FL	121240	32	10.441.004.000FL	125133	78	10.541.012.000FL	125574	35
10.121.103.150FL	122168	32	10.441.004.176FL	125134	78	10.541.012.176FL	125575	35
10.121.103.151FL	122169	32	10.441.013.000FL	125131	78	10.541.022.000FL	125570	34
10.121.103.700FL	121325	32	10.441.013.176FL	125132	78	10.541.022.176FL	125571	34
10.151.013.000FL	121858	83	10.441.023.000FL	123818	75	10.541.032.000FL	125572	34
10.151.023.000FL	121794	80	10.441.023.176FL	124748	75	10.541.032.176FL	125573	34
10.151.023.700FL	121492	80	10.441.023.700FL	123840	79	10.581.013.700FL	125692	15
10.151.033.000FL	121791	81	10.441.033.000FL	123820	75	10.581.102.700FL	3600001625	17
10.151.033.700FL	121488	81	10.441.033.176FL	124751	75	10.581.112.700FL	3600001626	17
10.151.043.700FL	123113	82	10.441.043.000FL	125135	76	10.581.122.700FL	3600001627	18
10.151.053.700FL	123114	82	10.441.053.000FL	125136	76	10.581.132.700FL	3600001628	18
10.151.102.000FL	121797	83	10.441.113.700FL	123841	79	10.581.144.700FL	125696	16
10.151.102.700FL	121496	83	10.445.023.000FL	125137	77	10.581.433.700FL	125694	15
10.151.423.000FL	121753	84	10.445.033.000FL	125138	77	10.661.003.000FL	124928	23
10.151.423.700FL	122252	84	10.461.002.000FL	125373	10	10.661.013.000FL	124926	23
10.171.003.000FL	123971	92	10.461.002.176FL	125374	10	10.661.023.000FL	124918	19
10.171.013.000FL	123967	92	10.461.002.177FL	125375	10	10.661.033.000FL	124922	20
10.171.023.000FL	123952	89	10.461.012.000FL	125370	8	10.661.043.000FL	124920	21
10.171.033.000FL	123959	89	10.461.012.176FL	125371	8	10.661.053.000FL	124923	21
10.171.043.000FL	123955	90	10.461.012.177FL	125372	8	10.661.523.000FL	125480	19
10.171.053.000FL	123963	90	10.461.022.000FL	125361	8	10.661.533.000FL	125481	20
10.175.023.000FL	123954	91	10.461.022.176FL	125362	8	10.665.023.000FL	124921	22
10.175.033.000FL	123962	91	10.461.022.177FL	125363	8	10.665.033.000FL	124924	22
10.201.102.000FL	122926	96	10.461.032.000FL	125364	9	10.701.003.700FL	124937	25
10.201.102.127FL	122931	96	10.461.032.176FL	125365	9	10.701.013.700FL	124936	25
10.201.102.150FL	123312	96	10.461.032.177FL	125366	9	10.701.023.700FL	124933	24
10.201.102.176FL	124349	96	10.471.022.000FL	125176	95	10.701.033.700FL	124934	24
10.201.122.000FL	122916	97	10.471.032.000FL	125178	95	11.202.033.000	123339	200
10.201.122.127FL	122921	97	10.481.002.000FL	125202	71	11.202.034.000	123335	200
10.201.122.150FL	123307	97	10.481.002.127FL	125204	71	11.382.033.000	124290	150
10.201.122.176FL	124353	97	10.481.002.176FL	125203	71	11.382.034.000	124291	150
10.201.242.000FL	123778	99	10.481.012.000FL	125199	70	11.422.033.000	124619	127
10.201.242.127FL	123783	99	10.481.012.127FL	125201	70	11.422.033.176	125022	127
10.201.242.176FL	124345	99	10.481.012.176FL	125200	70	11.422.033.177	125049	127
10.231.013.000FL	122297	73	10.481.232.000FL	125193	72	11.422.034.000	124620	127
10.231.013.700FL	122298	73	10.481.232.127FL	125195	72	11.422.034.176	125023	127
10.231.043.700FL	123115	74	10.481.232.176FL	125194	72	11.422.034.177	125050	127
10.231.053.700FL	123116	74	10.521.023.000FL	125245	93	11.422.063.000	125190	127
10.231.103.000FL	122295	73	10.521.023.000LLFL	125246	93	11.422.063.176	125399	127
10.231.103.700FL	122296	73	10.521.033.000FL	125247	94	11.422.063.177	125401	127
10.261.002.000FL	122282	87	10.521.033.000LLFL	125248	94	11.422.064.000	125191	127
10.261.012.000FL	122286	86	10.531.003.700FL	125354	14	11.422.064.176	125400	127
10.261.102.000FL	122284	86	10.531.003.751FL	125355	14	11.422.064.177	125402	127
10.261.432.000FL	122280	87	10.531.012.700FL	125346	13	11.452.064.700	124960	121
10.271.023.700FL	121501	66	10.531.012.751FL	125347	13	11.462.033.000	125105	109
10.271.033.700FL	121505	67	10.531.022.700FL	125343	12	11.462.034.000	125106	109
10.271.033.736FL	121509	68	10.531.022.751FL	125589	12	11.462.063.000	125108	109
10.271.103.700FL	121513	66	10.531.032.700FL	125345	13	11.462.064.000	125109	109
10.271.303.700FL	121517	67	10.531.032.751FL	125591	13	11.492.064.000	125492	176

KWC-Nr.	SAP-Nr.	Page	KWC-Nr.	SAP-Nr.	Page	KWC-Nr.	SAP-Nr.	Page
11.512.102.000	125218	183	12.421.071.000FL	124606	130	12.493.651.000FL	125489	177
11.512.103.000	125219	183	12.421.072.000FL	124610	132	12.498.051.000FL	125485	177
11.522.102.000LL	125236	186	12.421.093.000FL	124616	132	12.498.052.000FL	125487	178
11.522.103.000LL	125237	186	12.421.093.176FL	125021	132	12.498.093.000FL	125488	178
11.522.202.000	125232	186	12.421.093.177FL	125048	132	12.498.641.000FL	125484	177
11.522.203.000	125233	186	12.421.132.000FL	124613	133	12.498.642.000FL	125486	178
11.571.031.000	125634	172	12.421.142.000FL	124614	133	12.518.041.000FL	125212	184
11.571.031.700	125635	172	12.421.142.176FL	3600004589	133	12.518.042.000FL	125214	184
11.572.064.000	125637	173	12.421.142.177FL	3600004610	133	12.518.051.000FL	125213	184
11.572.064.700	125638	173	12.421.641.176FL	125016	129	12.518.052.000FL	125215	184
11.662.033.000	124584	140	12.421.641.177FL	125043	129	12.528.041.000FL	125224	187
11.662.034.000	124585	140	12.421.642.176FL	125018	131	12.528.042.000FL	125226	187
11.662.202.000	124895	141	12.421.642.177FL	125045	131	12.528.042.000LLFL	125228	188
11.662.203.000	124896	141	12.421.652.176FL	3600003631	133	12.528.051.000FL	125225	187
12.203.151.000FL	123347	201	12.421.652.177FL	3600003632	133	12.528.052.000FL	125227	187
12.203.161.000FL	123349	201	12.451.051.700FL	124953	122	12.528.052.000LLFL	125229	188
12.208.131.000FL	123341	201	12.451.052.700FL	124956	122	12.548.031.000FL	125416	160
12.208.141.000FL	123343	201	12.451.093.700FL	124958	123	12.548.032.000FL	125419	161
12.381.031.000FL	124294	151	12.451.641.700FL	124952	122	12.548.041.000FL	125414	160
12.381.032.000FL	124298	153	12.451.642.700FL	124955	122	12.548.042.000FL	125417	161
12.381.033.000FL	124644	152	12.468.031.000FL	125075	111	12.548.051.000FL	125415	160
12.381.041.000FL	124292	151	12.468.032.000FL	125081	112	12.548.052.000FL	125418	161
12.381.042.000FL	124296	153	12.468.033.000FL	125091	113	12.548.072.000FL	125420	161
12.381.043.000FL	124642	152	12.468.041.000FL	125072	111	12.576.012.700FL	3600001583	243
12.381.051.000FL	124293	151	12.468.042.000FL	125078	112	12.576.013.700FL	3600001587	245
12.381.052.000FL	124297	153	12.468.043.000FL	125088	113	12.576.022.700FL	3600001584	243
12.381.053.000FL	124643	152	12.468.051.000FL	125073	111	12.576.023.700FL	3600001588	245
12.381.071.000FL	124295	151	12.468.052.000FL	125079	112	12.576.102.700FL	3600001581	242
12.381.072.000FL	124299	153	12.468.053.000FL	125089	113	12.576.103.700FL	3600001585	244
12.381.073.000FL	124645	152	12.468.071.000FL	125076	111	12.576.122.700FL	3600001582	242
12.381.092.000FL	124300	154	12.468.072.000FL	125082	112	12.576.123.700FL	3600001586	244
12.381.102.000FL	124301	154	12.468.073.000FL	125092	113	12.578.041.000FL	125614	174
12.401.041.000FL	124416	104	12.468.093.000FL	125100	114	12.578.041.700FL	125615	174
12.401.042.000FL	124419	104	12.468.131.000FL	125096	114	12.578.042.000FL	125618	175
12.401.051.000FL	124417	104	12.468.141.000FL	125097	114	12.578.042.700FL	125619	175
12.401.052.000FL	124420	104	12.468.631.000FL	125077	111	12.578.051.000FL	125616	174
12.411.032.000FL	124516	166	12.468.632.000FL	125083	112	12.578.051.700FL	125617	174
12.411.033.000FL	124521	167	12.468.633.000FL	125093	113	12.578.052.000FL	125620	175
12.411.042.000FL	124514	166	12.468.641.000FL	125074	111	12.578.052.700FL	125621	175
12.411.043.000FL	124519	167	12.468.642.000FL	125080	112	12.578.093.000FL	125622	176
12.411.052.000FL	124515	166	12.468.643.000FL	125090	113	12.578.093.700FL	125623	176
12.411.053.000FL	124520	167	12.468.651.000FL	125098	114	12.578.132.000FL	125624	176
12.411.072.000FL	124517	166	12.468.663.000FL	125101	114	12.578.132.700FL	125625	176
12.411.073.000FL	124522	167	12.478.031.000FL	125146	192	12.578.142.000FL	125626	177
12.411.093.000FL	124523	168	12.478.031.000FLGE	125148	193	12.578.142.700FL	125627	177
12.421.031.000FL	124605	130	12.478.032.000FL	125152	194	12.578.671.000FL	125628	177
12.421.032.000FL	124609	132	12.478.032.000FLGE	125154	195	12.578.671.700FL	125629	177
12.421.041.000FL	124603	129	12.478.041.000FL	125143	192	12.578.681.000FL	125630	178
12.421.042.000FL	124607	131	12.478.041.000FLGE	125145	193	12.578.681.700FL	125631	178
12.421.051.000FL	124604	129	12.478.042.000FL	125149	194	12.665.011.000FL	124564	145
12.421.051.176FL	125017	129	12.478.042.000FLGE	125151	195	12.665.021.000FL	124565	145
12.421.051.177FL	125044	129	12.478.051.000FL	125144	192	12.668.011.000FL	124561	144
12.421.052.000FL	124608	131	12.478.052.000FL	125150	194	12.668.021.000FL	124562	144
12.421.052.176FL	125019	131	12.478.071.000FL	125147	192	12.668.031.000FL	124548	142
12.421.052.177FL	125046	131	12.478.072.000FL	125153	194	12.668.032.000FL	124554	143

KWC-Nr.	SAP-Nr.	Page	KWC-Nr.	SAP-Nr.	Page	KWC-Nr.	SAP-Nr.	Page
12.668.041.000FL	124546	142	20.404.512.000	124436	107	21.004.802.177	125059	228
12.668.042.000FL	124552	143	20.404.550.000	125335	108	21.004.853.000	125297	231
12.668.051.000FL	124547	142	20.412.333.000	124531	169	21.004.853.176	125298	231
12.668.052.000FL	124553	143	20.414.500.000	124534	170	21.004.853.177	125299	231
12.668.071.000FL	124549	142	20.414.510.000	124535	170	21.204.500.000	124014	203
12.668.072.000FL	124555	143	20.414.550.000	125336	171	21.382.330.000	124359	156
12.668.373.000FL	124567	144	20.421.093.000	124791	139	21.382.480.000	124305	157
12.696.061.000	125259	239	20.421.093.176	125030	139	21.384.502.000	124316	158
12.696.071.000	125260	239	20.421.093.177	125057	139	21.384.550.000	125292	159
12.696.081.000	125279	238	20.422.333.000	124625	135	21.402.330.000	124425	106
12.696.091.000	125280	238	20.422.333.176	3600003648	136	21.404.502.000	124434	107
12.696.151.000	125257	239	20.422.333.177	3600003649	136	21.404.550.000	125332	108
12.696.161.000	125258	239	20.424.500.000	124634	137	21.412.330.000	124527	169
12.696.171.000	125277	238	20.424.500.176	125027	137	21.414.500.000	124533	170
12.696.181.000	125278	238	20.424.500.177	125054	137	21.414.550.000	125333	171
13.201.041.000FL	123353	202	20.424.510.000	124636	137	21.422.330.000	124630	135
13.381.041.000FL	124302	155	20.424.510.176	125028	137	21.422.330.176	3600003657	136
13.401.042.000FL	124421	105	20.424.510.177	125055	137	21.422.330.177	3600003658	136
13.411.041.000FL	124524	168	20.424.550.000	125295	138	21.424.500.000	124632	137
13.421.041.000FL	124618	134	20.451.094.700	125690	126	21.424.500.176	125025	137
13.421.641.176FL	3600003608	134	20.452.480.700	125689	124	21.424.500.177	125052	137
13.421.641.177FL	3600003633	134	20.454.500.177	124965	125	21.424.550.000	125291	138
13.458.041.700FL	125681	123	20.454.510.177	124966	125	21.452.480.700	125685	124
13.461.041.000FL	125103	115	20.461.093.000	124793	120	21.454.500.177	124964	125
13.478.041.000FL	125162	196	20.462.440.000	125412	117	21.462.330.000	125124	117
13.491.041.000FL	125490	179	20.462.483.000	125114	116	21.462.480.000	125119	116
13.541.041.000FL	125421	162	20.464.500.000	125128	118	21.464.500.000	125126	118
13.578.041.000FL	125632	178	20.464.510.000	125130	118	21.464.550.000	125289	119
13.578.041.700FL	125633	178	20.464.550.000	125293	119	21.472.330.000	125517	197
13.661.041.000FL	124569	145	20.472.333.000	125518	197	21.474.500.000	125171	198
20.004.801.000	124009	229	20.474.500.000	125172	198	21.474.550.000	125334	199
20.004.801.176	125546	229	20.474.510.000	125173	198	21.492.480.000	125496	180
20.004.801.177	124968	229	20.474.550.000	125337	199	21.512.330.000	125221	185
20.004.802.000	124012	227	20.491.093.000	125501	181	21.522.330.000	125239	189
20.004.802.176	125034	227	20.492.440.000	125500	180	21.524.500.000	125242	189
20.004.802.177	125061	227	20.512.333.000	125223	185	21.542.330.000	125425	163
20.004.811.000	124010	229	20.522.333.000	125241	188	21.544.502.000	125428	164
20.004.811.176	125547	229	20.542.332.000	125423	163	21.544.550.000	125434	165
20.004.811.177	124969	229	20.544.502.000	125426	164	21.572.480.000	125645	179
20.004.812.000	124013	227	20.544.512.000	125427	164	21.572.480.700	125646	179
20.004.812.176	125035	227	20.544.550.000	125435	165	21.662.330.000	124577	146
20.004.812.177	125062	227	20.571.094.000	125655	181	21.664.500.000	124587	147
20.004.853.000	125300	231	20.571.094.700	125656	181	21.664.550.000	125290	148
20.004.853.176	125301	231	20.572.480.000	125653	180	21.692.050.000	123296	241
20.004.853.177	125302	231	20.572.480.700	125654	180	21.692.100.000	123295	241
20.201.093.000	124794	204	20.661.094.000	124792	149	24.501.044.000	121267	52
20.204.500.000	124015	203	20.662.333.000	124582	146	24.501.046.000	121268	52
20.204.510.000	124016	203	20.664.500.000	124588	147	24.501.054.000	121269	53
20.382.333.000	124362	156	20.664.510.000	124589	147	24.501.056.000	121270	53
20.382.483.000	124308	157	20.664.550.000	125294	148	24.501.064.000	121271	52
20.384.502.000	124317	158	21.004.801.000	124008	230	24.501.066.000	121272	52
20.384.512.000	124318	158	21.004.801.176	125545	230	24.501.102.000LL	123980	60
20.384.550.000	125296	159	21.004.801.177	124967	230	24.501.103.000LLFL	121746	60
20.402.332.000	124432	106	21.004.802.000	124011	228	24.501.104.000LLFL	121744	60
20.404.502.000	124435	107	21.004.802.176	125032	228	24.501.130.000	121273	55

KWC-Nr.	SAP-Nr.	Page	KWC-Nr.	SAP-Nr.	Page	KWC-Nr.	SAP-Nr.	Page
24.501.144.000	121275	56	26.000.610.177	125068	225	26.006.333.000	124703	213
24.501.146.000	121276	56	26.000.611.000	122205	226	26.006.333.176	3600003736	213
24.502.164.000	121281	59	26.000.611.176	125549	226	26.006.333.177	3600003726	213
24.502.166.000	121284	59	26.000.611.177	125069	226	26.006.373.000	124701	214
24.502.194.000	121287	54	26.000.612.000	122542	225	26.006.373.176	3600003729	214
24.502.196.000	121290	54	26.000.612.176	125405	225	26.006.373.177	3600003737	214
24.503.114.000	121294	57	26.000.612.177	125406	225	26.006.614.000	125274	216
24.503.116.000	121295	57	26.000.613.000	122543	226	26.008.023.000	124706	20
24.503.124.000	121296	58	26.000.613.176	125548	226	26.008.033.000	124707	20
24.503.126.000	121297	58	26.000.613.177	125407	226	26.008.043.000	124708	19
24.503.174.000	121299	53	26.000.614.000	122544	225	26.008.043.176	125403	19
24.503.184.000	121301	54	26.000.620.000	536622	211	26.008.043.177	125404	19
24.561.044.700FL	125565	63	26.000.620.176	125550	211	26.008.053.000	124709	19
24.561.046.700FL	125566	63	26.000.620.177	125066	211	26.009.030.000	124681	234
24.561.144.700FL	125567	64	26.000.621.000	536623	211	26.009.130.000	124677	232
24.561.146.700FL	125568	64	26.000.621.176	125064	211	26.009.130.176	3600003721	232
25.001.010.000	124602	182	26.000.621.177	125065	211	26.009.130.177	3600003734	232
25.001.011.700	125328	182	26.000.622.000	122540	211	26.009.220.000	125268	235
25.001.011.751	125329	182	26.000.622.176	3600003864	211	26.009.433.000	124697	234
26.000.103.000	124493	222	26.000.622.177	3600003876	211	26.009.533.000	124693	232
26.000.103.176	125187	222	26.000.623.000	122541	211	26.009.533.176	3600003685	232
26.000.103.700	125188	222	26.000.800.000	122514	208	26.009.533.177	3600003686	232
26.000.111.040	122491	222	26.000.800.176	125181	208	26.009.733.000	124685	233
26.000.113.000	123504	221	26.000.800.177	125182	208	26.009.733.176	3600003705	233
26.000.117.000	124490	220	26.000.803.000	122513	208	26.009.733.177	3600003706	233
26.000.119.000	124492	220	26.000.803.176	125556	208	26.458.033.700	124962	20
26.000.125.000	125607	220	26.000.803.177	125183	208	26.529.830.000	124715	190
26.000.125.176	125608	220	26.000.804.000	101206	210	26.529.930.000	124719	190
26.000.125.177	3600003805	220	26.000.810.000	122517	208	26.578.044.700	125658	181
26.000.126.000	125609	220	26.000.811.000	122519	209	26.578.054.000	125657	181
26.000.126.176	125610	220	26.000.812.000	122520	209	26.578.054.000	125659	182
26.000.126.177	3600003806	220	26.000.813.000	122518	208	26.578.054.700	125660	182
26.000.131.000	125281	221	26.000.820.000	122521	209	27.002.060.176	125561	6
26.000.132.000	125282	221	26.000.820.176	125552	209	27.002.060.177	125562	6
26.000.133.000	125542	221	26.000.820.177	125553	209	27.002.061.000	125611	6
26.000.204.000	124494	223	26.000.821.000	122523	209	27.002.070.931	125612	6
26.000.205.000	124495	223	26.000.822.000	122525	209	27.002.080.931	125613	6
26.000.205.176	125551	223	26.000.823.000	122522	210	39.000.602.931	124801	18
26.000.205.700	125186	223	26.000.823.176	125554	210	39.001.400.700	124963	121, 173
26.000.206.000	124496	223	26.000.823.177	125555	210	39.001.401.931	124315	128, 140, 150
26.000.214.000	124497	223	26.000.824.000	122524	210	39.001.402.000	125189	110, 176
26.000.215.000	124498	223	26.000.825.000	122526	210	39.003.450.931	125636	172
26.000.215.176	125184	223	26.001.002.000	3600003999	212	39.006.251.931	125286	15
26.000.215.700	125185	223	26.001.003.000	538323	212	39.006.261.931	125287	16
26.000.216.000	124499	223	26.001.004.000	538322	212	39.006.271.931	125288	15
26.000.221.000	122502	224	26.001.005.000	538324	212	39.151.400.931	122047	200
26.000.222.000	125283	224	26.001.009.000	3600004019	212	39.999.900.931	124005	12
26.000.502.000	122529	218	26.001.033.176	538513	212	39.999.910.931	124006	12
26.000.503.000	122530	218	26.001.033.177	538516	212	39.999.920.931	124007	14
26.000.504.000	122531	218	26.003.522.000	125396	219	CACHETJ	634729	269
26.000.505.000	122532	218	26.004.003.000	122533	217	EGASTRO-0016	534746	62
26.000.506.000	125263	219	26.004.004.000	122534	217	EGASTRO-0018	534778	62
26.000.507.000	125264	219	26.004.100.000	122537	217	K.12.JB.52.000B23	119601	240
26.000.610.000	121823	225	26.006.013.000	124898	215	K.12.JB.52.000N23	119599	240
26.000.610.176	125067	225	26.006.313.000	125276	215	K.12.JB.52M000B23	119603	240

KWC-Nr.	SAP-Nr.	Page	KWC-Nr.	SAP-Nr.	Page	KWC-Nr.	SAP-Nr.	Page
K.12.JB.52M000N23	119602	240	Z.531.396	538201	268	Z.538.808	538808	17
K.24.40.60.000C34	100960	45	Z.532.943.000	532943	219	Z.538.810	538810	271
K.24.40.70.000C34	100961	48	Z.534.836	536570	272	Z.538.897.000	538897	219
K.24.41.04.000C07	100945	36	Z.535.362	536572	274	Z.538.897.176	538898	219
K.24.41.05.000C07	100946	36	Z.535.645	536670	273	Z.538.897.177	538899	219
K.24.41.06.000C07	100947	36	Z.535.647	536689	274	Z.538.900	538900	17
K.24.41.20.000C07	112149	37	Z.536.028	536028	266	Z.538.992.000	538992	11
K.24.41.21.000C07	112150	37	Z.536.032	538711	272	Z.538.992.176	538993	11
K.24.41.22.000C07	112151	37	Z.536.060.000	536060	85, 9	Z.538.992.177	538994	11
K.24.41.24.000C02	112159	36	Z.536.060.700	536061	85, 9	Z.539.000.700	539000	65
K.24.41.32.000C07	100931	38	Z.536.062.700	536062	68, 9	Z.539.001.700	539001	65
K.24.41.34.000C07	100933	38	Z.536.063.000	536063	33, 8	Z.539.030.145	539030	62
K.24.41.60.000C06	100962	43	Z.536.063.150	536262	33, 8	Z.540.049.000	3600004482	4
K.24.41.61.000C06	105093	44	Z.536.063.151	536263	33, 8	Z.540.049.700	3600004483	4
K.24.41.A2.000C07	101755	37	Z.536.063.700	536064	33, 8	Z.600.774	600774	268
K.24.42..000C34	105826	42	Z.536.109.000	536109	9	Z.604.451.000	604451	267
K.24.42.11.000C86	118391	39	Z.536.153	536153	268	Z.604.638.901	604638	267
K.24.42.13.000C86	124036	40	Z.536.159.000	536159	11, 8	Z.634.819	M004342	274
K.24.42.17.000C86	118397	40	Z.536.159.127	536177	11, 8	Z.635.075	635075	268
K.24.42.18.000C86	118399	40	Z.536.159.176	538981	11, 8	Z.635.215	639017	269
K.24.42.21.000C86	118403	38	Z.536.332.000	536332	88, 9	Z.635.231	635231	269
K.24.42.22.000C74	118404	39	Z.536.448	538372	266	Z.635.392	635392	266
K.24.42.24.000C86	118406	38	Z.536.576.000	536576	7	Z.635.966	635966	270
K.24.42.41.000C74	118411	41	Z.536.586.000	536586	98, 100, 10	Z.636.126.700	636126	266
K.24.42.42.000C74	118412	41	Z.536.586.127	536587	98, 100, 10	Z.636.127.700	636127	267
K.24.42.61.000C71	112788	51	Z.536.586.150	536932	98, 100, 10	Z.636.254	636254	269
K.24.42.62.000C71	100964	49	Z.536.586.176	538345	98, 100, 10	Z.636.508	636508	270
K.24.42.64.000C71	100966	50	Z.537.565.000	537565	62	Z.636.707.700	636707	267
K.24.42.70.000C78	100456	46	Z.537.582	538327	272	Z.638.306	638306	270
K.24.42.74.000C78	100448	47	Z.537.584	538329	273	Z.638.338	638338	270
K.24.42.E1.000C35	105823	42	Z.537.593	537593	13	Z.639.489.000	639489	17
K.24.42.E2.000C35	105824	42	Z.537.594	537594	14	Z.639.489.176	639490	17
K.24.42.E3.000C35	105825	42	Z.537.595	537595	13	Z.639.489.177	639491	17
K.24.42.E4.000C35	105822	42	Z.537.600	537600	14			
K.24.42.K1.000C34	105829	42	Z.537.602	537602	273			
K.24.42.K5.000C34	105828	42	Z.537.710	538331	272			
K.24.62.14.000B91	115401	61	Z.537.953	537953	13			
K.24.62.16.000B91	115402	61	Z.537.995	537995	13			
K.24.62.44.000B87	117408	61	Z.538.008.000	538008	62			
K.24.62.46.000B87	117409	61	Z.538.038.700	538038	29, 8			
K.25.40.14.000C35	100916	41	Z.538.321.000	538321	5			
K.25.40.16.000C35	100917	41	Z.538.321.176	538523	5			
K.26.99.01.000	114729	218	Z.538.321.177	538524	5			
K.26.99.02.000	114723	218	Z.538.346.000	538893	5			
K.26.99.02.176	125179	218	Z.538.347.000	538347	5			
K.26.99.02.177	125180	218	Z.538.348.000	538348	5			
K.27.40.25.000A48	101063	7	Z.538.349.000	538892	4			
K.32.40.01.931	501546	275	Z.538.409.000	538409	8			
K.32.40.10.931	500631	275	Z.538.409.176	538410	8			
K.32.60.00	536591	273	Z.538.409.177	538411	8			
K.32.60.01	536695	274	Z.538.415.000	538415	212			
Z.200.109.000	531549	222	Z.538.581.000	538581	4			
Z.501.297	501297	275	Z.538.581.177	3600004125	4			
Z.502.844.700	535469	62	Z.538.806	538806	17			
Z.502.869.700	534747	62	Z.538.807	538807	17			

Information

Color differences on stainless steel surfaces on different parts of a KWC Group AG faucet made out of stainless steel, cannot totally be excluded. Different factors may lead to a slight color differentiation.

1. Already a slight difference in material composition may cause stainless steel to reflect light differently (more blue or yellow reflections). These differences in steel compositions still fulfill DIN valid material standards. They may occur within one lot of a steel production unit.
2. Different cooling or production treatment parameters may also cause color surface differentiation.
3. Different surface consistency caused by the production process may as well lead to a different light reflection, so that other colors appear.

Our aim is not to have another surface process to guarantee a 100 % stainless steel color consistency. Beside the unique KWC faucet design we would like to keep a puristic surface finish of natural stainless steel in match with our design philosophy.

By keeping production tolerances at a narrow level, we try to keep slight stainless steel surface color differentiation as little as possible. But we cannot exclude them totally. As with upper class wooden furniture, where a slight color differentiation is accepted as well on the surface, it has to be accepted that high quality faucets made by our standards may have slight color differences on their surfaces.

Operating Data

Minimal operating pressure 1 bar (15 PSI)

Ideal operating pressure 3 bar (45 PSI)

Maximal operating pressure 5 bar (70 PSI)

Equal pressures are recommended

Maximal hotwater temperature 70°C (180°F)

Attention:

Before installation, flush pipes thoroughly!

For further information refer to our detailed sales literature.

Damages on the faucet resulting from incorrect handling are excluded from

the manufacturers warranty!

The products and prices listed in this catalogue are correct as of 1.1.2024. Adaptations to technology and design may occur at any time.

The suitability of the faucets must be checked for each individual project. The specifications and installation and service instructions provided by KWC Group AG, are definitive for planning and technical implementation. The relevant information can be ordered directly from KWC or obtained at www.kwc.com.

General conditions

All our quotations, sales and deliveries shall be subject to the following conditions exclusively, even if the customer expressly specifies otherwise. With the acceptance of our confirmation of order or the delivery of our goods, the customer declares his acceptance of our terms and conditions. Silence on our part as regards the customer's terms and conditions shall not constitute any acknowledgement of, or consent to, the customer's terms and conditions under any circumstances. All quotations are without obligation.

Supplementary agreements and any other informal commitments need to be confirmed in writing by our Head Office in every case. None of the information contained in our catalogues is binding. This also applies to illustrations, weights, measurements and performance data. We reserve the right to alter specifications without notice.

1. Prices and sales tax

The prices and conditions which will apply are those in effect at the date of delivery. The quoted prices for our product range are EX WORKS, incl. packaging, not insured unless otherwise expressly and separately agreed. At the time valid Incoterms shall apply. All prices shall be exclusive of Value Added Tax, which is shown separately in our invoices.

In the case of inter-company deliveries, the purchaser shall give us an undertaking that the goods are being procured for his own company and are subject to the tax regulations applicable in his country. Prices are subject to change without notice.

2. Delivery and acceptance

Quoted delivery periods are approximations. If circumstances arise for which we are not responsible, e.g. a delay occasioned by delivery problems on the part of our subcontractors, the delivery period shall be extended accordingly. The delivery period shall also be appropriately extended in the event of industrial action, particularly strikes and lockouts. In the event of a resultant delay in delivery on our part, the customer shall not be entitled to any claims or cancellation of the transaction.

3. Right of the supplier to withdraw

In the event of a serious deterioration in the customer's business, particularly financial circumstances, stoppage of payments, winding-up or transfer of the business or his death or similar, or if the customer pledges stock, receivables or the purchased goods, or orders them as a security for other creditors, the supplier shall be entitled to demand security and to rescind his obligation to supply if the security is inadequate, and to demand compensation on grounds of nonfulfilment. In the event that we are prevented from manufacturing the ordered goods due to circumstances for which we are not to blame, we reserve the right to withdraw from the contract, wholly or partially, without the client being thereby entitled to make any claim whatsoever for compensation, subsequent delivery or withdrawal from the contract.

4. Packing, transport, carriage charges, small order supplement

and transfer of risk We reserve the right to choose the type of packaging used. Cardboard, paper and plastic packaging will not be taken back but must be disposed of by the receiver of the goods. Pallets, wire-mesh box pallets and other usable containers may be returned to us, carriage paid, within three months. Deliveries by post and express services will be charged at cost. If a carriage paid delivery is agreed, the supplier shall be entitled to choose the method of transport employed. For consignments to third parties, an adequate supplement of a percentage of the value of the goods will be charged. All risks shall be transferred to the customer when the goods leave our factory/ depot or are made available to the customer at our factory/depot.

5. Terms of payment

Our invoices are payable within 30 days net in Swiss Francs or Euro after receipt of invoice unless otherwise expressly and separately agreed. In the event of delays in payment, the customer shall without further reminder be liable to pay to KWC Group AG default interest at a rate of 2% above the relevant discount rate of the National Bank of Switzerland. As long as older invoices remain unpaid, no entitlement to discount shall exist on the payment of new invoices. Bills of exchange shall not be accepted. If payment is made by cheque or other form of documentary remittance, the charges therefore shall be borne by the customer. If the customer is late in making a payment or his financial situation dete-

riorates markedly after the conclusion of the contract, all debts shall immediately become due for settlement. The customer may only offset these with uncontested or legally established counter-claims. The punctuality of payments, or otherwise, is determined by the date on which the funds are received by us.

6. Retention of title

We shall retain title to the goods supplied until all the debts due to us and incurred as a result of the business relationship have been settled in full, irrespective of the legal justification therefore. As far as such retention of title has to be recorded in public registers, the customer undertakes to issue all statements legally due for this purpose upon the supplier's first request. The customer shall be entitled to process our products or to use them with other products within the scope of his regular business operations. As a surety against our aforesaid entitlements, we shall acquire co-ownership of the objects resulting from the processing or combined use of our products, the said co-ownership being assigned to us by the customer coincidentally with the acceptance of these Conditions of Sale. The customer shall be required to keep the objects subject to our co-ownership at no charge to us. The amount of our share of co-ownership shall be determined in accordance with the value of our product relative to the value of the object resulting from its processing or combined use by the customer.

We grant our customers the right of resale in the normal course of business, subject to revocation. The said right shall be withdrawn in the event of a suspension of payments. With the acceptance of these Conditions of Sale, the customer shall assign to us all the debts and additional rights accruing to him from the resale. The assigned debts shall serve as a security for all our claims. The customer shall be entitled to collect the assigned debts, provided we have not revoked this authorisation. The authorisation to collect debts shall be withdrawn, even without any express revocation, if the customer suspends his own payments. If we so request, the customer shall inform us in writing and without delay as to whom he has resold the goods and the debts due to him as a result of the resale, and furnish us with certified documents of transfer of the debts at his expense. The customer shall not be entitled to any other provisions in respect of the objects to which we retain title or of which we hold co-ownership, or in respect of any debts assigned to us. The customer shall notify us with-out delay of any attachments or other legal impairments relating to objects belonging to us, either wholly or partially. We shall be entitled at any time to call for the return of goods belonging to us if the customer falls into arrears on a payment or if his financial situation deteriorates to a marked extent. If we enforce this right, withdrawal from the contract shall only arise if we expressly declare the same, irrespective of any other mandatory official regulations. If the value of the securities assigned to us exceeds our receivables and entitlements to redemption by more than 20 %, we shall, at the customer's request, release securities to an amount to be decided by us. Samples and drawings shall remain our property, even if the customer bears the costs, or a proportion of the costs, thereof.

7. Returns

Goods may not be returned without our prior consent. Failing this, returned goods shall not be accepted. In the case of returns, we shall be entitled to levy a processing charge according to our goodwill procedure. The costs of any reconditioning required shall be invoiced separately. If goods which have been delivered carriage paid are subsequently returned by the customer, the costs of the initial delivery shall be deducted from the credit note.

8. Warranty and Liability

We guarantee the perfect, functioning of our products provided they are installed correctly and in accordance with their intended purpose. In the event of proven defects in material or workmanship we shall provide full replacement of materials. We shall not be liable for any further damage, particularly as a result of improper handling, overloading or natural wear and tear. This shall apply in particular to surface damage caused by the use of incorrectly used, abrasive or aggressive cleaning agents. Our warranty and liability in respect of materials not manufactured by us shall be restricted to the warranty and liability provided for in the conditions of sale or our subcontracted suppliers. The warranty period shall be 2 years from the date of invoice of the defective fitting. If we manufacture goods to a customer's specification, he shall be wholly responsible for ensuring that no patents or other third party rights are infringed. Any

complaints concerning the weight, quantity or quality of the goods shall be notified in writing immediately after their discovery and, in any case, one week at the latest after receipt of the consignment. If the complaint proves to be justified, a replacement consignment shall be delivered free of charge and carriage paid to the original destination; in the event of quality defects, however, this shall only apply if the faulty parts are returned. Any further claims for replacements or abatement or compensation for indirect and/or direct damages shall be excluded, unless we are unable to effect a re-delivery or are guilty of gross negligence. The goods must still be in the condition in which they were delivered. For goods which have been used, the warranty terms agreed by us with suissetec (Schweizerisch-, Lichtensteinischer Gebäudetechnikverband) shall apply.

9. Place of fulfilment, court of jurisdiction, obligations imposed by contracts

The place of fulfilment for all the obligations arising from the contract is the place in which the supplier's premises are located. The court of jurisdiction for both parties is the suppliers domicile.

The contractual relationship is subject to the material laws of Switzerland. Should any provision of the contract be or become partly or entirely invalid, the validity of the remaining provisions of the contract shall not be affected. The invalid provisions are replaced by a valid rule, which attains the parties economic intent and purpose with regard to the invalid provision. The same shall apply in the event of any gaps of the contract. The Swiss original of the "Conditions of Sale and Delivery" is authoritative.

10. Data Protection and Processing.

1. Personal data is any information relating to an identified or identifiable natural person („Data Subject“) as defined in the applicable data protection law.
2. Personal data will be gathered, processed and used by KWC in compliance with the applicable data protection law and all of our employees, KWC group companies and third party service providers who have access to personal data are obliged to respect the confidentiality of the personal data.
3. In the event that KWC is provided and receives personal data via Customer or a point of sale for such purpose describe above, KWC is an independent controller under applicable data protection law.
4. KWC collects personal data when customer submits it to us, through registration, completion of forms or e-mails, as part of an order for products or services, after-sale support for products or services, inquiries or requests about products being ordered and similar situations in which data subject has chosen to provide the information to KWC or via a point of sale to KWC.
5. Some personal data provided (name, address, phone number and email address) will be processed by KWC for marketing, advertising or promoting purposes. We assume that this is of mutual interest for our Customer and for the Data Subject to upkeep a good business relationship and the respective Data Subject can object to the processing of his/her data for this purpose at any time without giving reasons by contacting KWC.
6. Some of the personal data provided may be stored or processed in other jurisdictions, such as the United States, whose data protection laws may differ from this jurisdiction. In such cases, KWC ensures that appropriate protections are in place to require the data processor in that country to maintain protections on the personal data that are equivalent to those that apply in the country of KWC.
7. Customer is obliged to inform any point of sale and its end-users that it complies with applicable data protection law and personal data will be processed by KWC according to the terms and limitation set forth in this Clause. Customer shall, without limitation, defend, hold harmless and indemnify KWC in the event of damage that is attributable to Customer's transferring of personal data or in breach of applicable data protection law.
8. Our full privacy statement can be found on our website: www.kwc.com.





The ultimate
choice

150

JAHRE
ANS
ANNI
YEARS