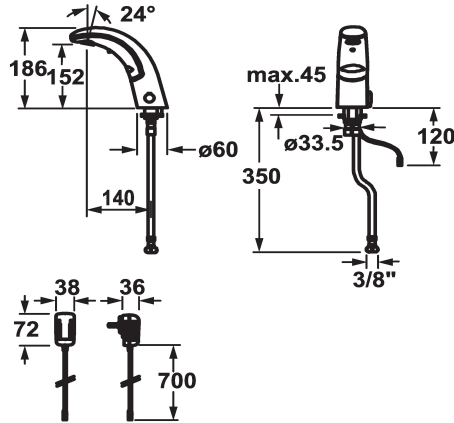


KWC IQUA

Automatic, non-contact - Basin

Modell-Linie: IQUA | K.12.JB.52M000B23
Kranar | Samouzavírací armatury



KWC-No.

119602

chromeline, A 140, flexible connection hose, without pop-up valve, mains receiver, Basic, without mixing

119603

chromeline, A 140, flexible connection hose, without pop-up valve, battery, Basic, without mixing

- * Automatic controlled
- Dual infrared sensor A20
- * Without mixing
- for cold or mixed water supply
- * EcoProtect - water-saving device
- * Basic: counter-sunk iqua-click
- * Microprocessor-control
- flow time adjustable (1 second factory setting)
- short time off (cleaning) activatable
- continuous water flow (filling) activatable
- sensor sensitivity adjustable permanent, automatic self-calibration
- 12- or 24-hour-hygiene flushing activatable

- * Fixed spout
- Neoperl® Cascade®
- * OptimalSpace - ample space for washing or working
- * Electrovalve
- * Flexible connection hose 3/8"
- * Fastening by means of stud bolt M8 x 1
- * Mounting hole size ø35 mm
- * Scope of delivery:
- Battery 6 V Lithium 2 CR5
- lifespan at 100 circuits/day: 4 years
- 3 Avoid using infrared controls near highly reflective surfaces (e.g. mirrors, polished stainless steel basins) as this could cause them to activate accidentally or malfunction.

Technical Data

A_Spout_Spray
ATT-KWC-ABLAUFGARNITUR
ATT-KWC-EL_STEUERUNG
Connection
ATT-KWC-AUSLAUF
ATT-KWC-IQUA_CLICK
ATT-KWC-STROMVERSORGUNG
ATT-KWC-FARBCODE
Installation_type
Faucet_typ
Measure_Height
G_Acoustic_group
Projection_A
EnergyLabelCH
ATT-KWC-MASS-WASSERAUSTRITT
Material

5 l/min (3 bar)
ohne_Ablaufgarnitur
berührungslos
Flexibler_Anschluss Schlauch
fest
3
Batterie
chromeline
Standmontage
06
186
1
A140
A
152
Mässing

