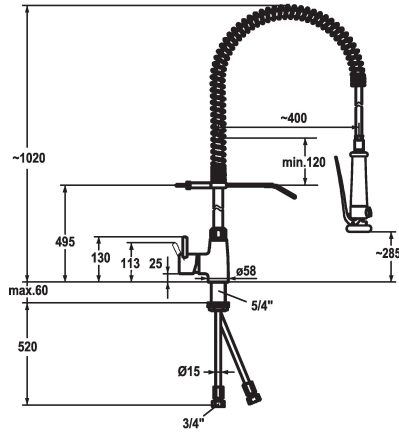


KWC GASTRO

Lever mixer - Commercial kitchen

Modell-Linie: GASTRO | 24.501.130.000

Hanat | Käskikäyttöiset hanat



KWC-No.

121273

chromeline, Kupferrohranschlüsse

- * Lever mixer
- * Suspension spring
- * TouchProtect - anti-scald protection thanks to the "double skin" principle
- * Intrinsically safe against backflow
- * Pre-rinse spray
- with integrated delayed closing device to minimize water hammer
- with valve maintenance unit for cleaning and swivelling sieve jet
- SprayClean - easy to clean and actively prevents limescale buildup

- SprayLock - lockable jet spray
- PowerClean - needle spray mode
- * OptimalSpace - ample space for washing or working
- * KWC cartridge XL 46 - high capacity
- with ceramic discs
- flow rate and temperature continuously variable
- temperature limitation
- * Copper tubes $\varnothing 15$ mm
- * Fastening by means of threaded sleeve 1 1/4"
- * Mounting hole size $\varnothing 42$ mm

Tekniset tiedot

A_Spout_Spray
A_Spray (kitchen)
Connection
ATT-KWC-WANDHALTER
Handling
Kitchen_spray
ATT-KWC-FARBCODE
Installation_type
Faucet_typ
Measure_Height
G_Acoustic group
Projection_A
ATT-KWC-MASS-WASSERAUSTRITT
Materiaali
lviCode

32 l/min (3bar)
15 l/min (3 bar)
Kupferrohranschlüsse
mit Wandhalter
seitenbedient
Geschirrbrause
chromeline
Standmontage
Hebelmischer
1020
II
A400
285
Messinki
0

