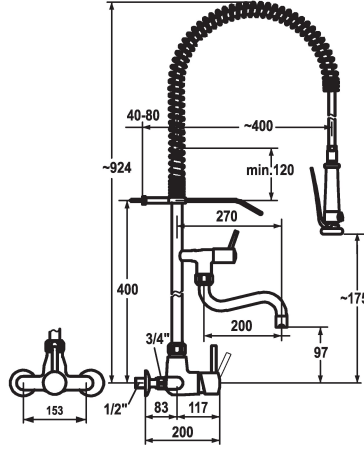
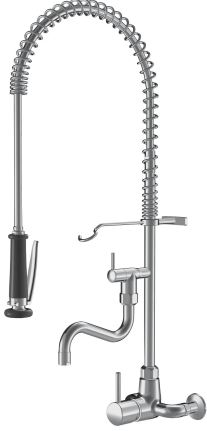


## KWC GASTRO Vipuhana esipesusuih B270 KWC GASTRO Vipuhana esipesusuih B270

Modell-Linie: GASTRO | 24.502.164.000

Hanat | Käsikäyttöiset hanat



### KWC-No.

**121281**

KWC GASTRO Vipuhana esipesusuih B270

**121284**

KWC GASTRO yksiotehana A300 B370 kromia

### Projection\_A

A200/A400

A300

- \* Lever mixer
- \* Suspension spring
- \* TouchProtect - anti-scald protection thanks to the "double skin" principle
- \* Intrinsically safe against backflow
- \* Swivel spout 160°
- with adjustable gland
- Jet regulator
- \* Pre-rinse spray
- with integrated delayed closing device to minimize water hammer
- with valve maintenance unit for cleaning and swivelling sieve jet

- SprayClean - easy to clean and actively prevents limescale buildup
- SprayLock - lockable jet spray
- PowerClean - needle spray mode
- \* OptimalSpace - ample space for washing or working
- \* KWC cartridge XL 46 - high capacity
- with ceramic discs
- flow rate and temperature continuously variable
- temperature limitation
- \* Wall connections 1/2" x 3/4", with shut-off valve L 40 eccentric 4 mm

### Tekniset tiedot

|                             |
|-----------------------------|
| A_Spout_Spray               |
| A_Spray (kitchen)           |
| Spout                       |
| ATT-KWC-WANDHALTER          |
| Kitchen_spray               |
| Projection_B                |
| ATT-KWC-FARBCODE            |
| Installation_type           |
| Faucet_typ                  |
| Measure_Height              |
| G_Acoustic group            |
| ATT-KWC-G_BRAUSENABGANG     |
| Projection_A                |
| Connection measure          |
| ATT-KWC-MASS-WASSERAUSTRITT |
| Materiaali                  |
| lviCode                     |

|                  |
|------------------|
| 34 l/min (3 bar) |
| 15 l/min (3 bar) |
| Kiinnitetty      |
| mit Wandhalter   |
| Geschirrbrause   |
| B270             |
| chromeline       |
| Seinäsennus      |
| Hebelmischer     |
| 924              |
| II               |
| I                |
| A200/A400        |
| 153+/-8          |
| 97/175           |
| Messinki         |
| 6285715          |

