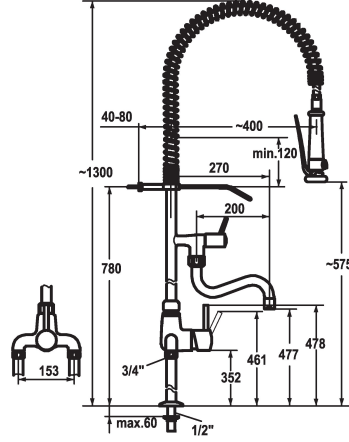


## KWC GASTRO Lever mixer - Commercial kitchen

Modell-Linie: GASTRO | 24.503.124.000  
Taps | Manual taps



### KWC-No.

**121296**  
chromeline, AD 153, A 200, B 270

**121297**  
chromeline, AD 153, A 300, B 370

### Projection A

A 200 / A 400

A 300 / A 400

- \* Lever mixer
- \* Suspension spring
- \* TouchProtect - anti-scald protection thanks to the "double skin" principle
- \* Intrinsicly safe against backflow
- \* Swivel spout
  - with adjustable gland
  - Jet regulator
- \* Pre-rinse spray
  - with integrated delayed closing device to minimize water hammer
  - with valve maintenance unit for cleaning and swivelling sieve jet

- SprayClean - easy to clean and actively prevents limescale buildup
- SprayLock - lockable jet spray
- PowerClean - needle spray mode
- \* OptimalSpace - ample space for washing or working
- \* KWC cartridge XL 46 - high capacity
  - with ceramic discs
  - flow rate and temperature continuously variable
  - temperature limitation
- \* Pillar connections 1/2" x 3/4" L 340
- \* Mounting hole size  $\varnothing 22$  mm

### Technical Data

Flow rate	34 l/min (3 bar)
Spray: Flow rate	15 l/min (3 bar)
Spout	fixed
Wall bracket	with wall bracket
Kitchenspray	Pre-rinse spray
Projection B	B 270
Color code	chromeline
Installation type	Pillar installation
Faucet_typ	Lever mixer
Measure Height	1300
Acoustic group	II
Projection A	A 200 / A 400
Connection measure	153
Dimension Water outlet	270/575
material	Brass

Flow rate	34 l/min (3 bar)
Spray: Flow rate	15 l/min (3 bar)
Spout	fixed
Wall bracket	with wall bracket
Kitchenspray	Pre-rinse spray
Projection B	B 270
Color code	chromeline
Installation type	Pillar installation
Faucet_typ	Lever mixer
Measure Height	1300
Acoustic group	II
Projection A	A 200 / A 400
Connection measure	153
Dimension Water outlet	270/575
material	Brass

