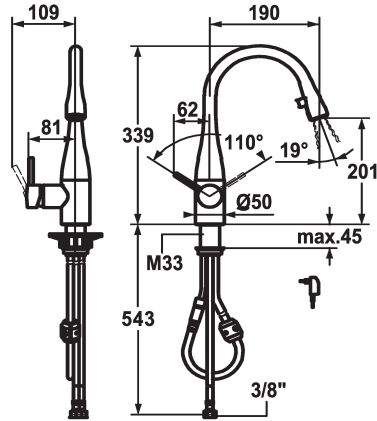


KWC EVE

Lever mixer - Kitchen - with LEDShine

Modell-Linie: EVE | 10.121.102.000FL
Taps | Manual taps



KWC-No.

121616
stainless steel, A 190, flexible connection hoses, mains receiver

121618
chromeline, A 190, flexible connection hoses, mains receiver

Color code

stainless steel

chromeline

- * Lever mixer
- * Lever installation possible on the right or left side
- * TouchProtect - anti-scald protection thanks to the "double skin" principle
- * Pull-out aerator covered
 - Neoperl® Caché®
 - integrated ON/OFF push-button with automatic shut-off after 45 minutes
 - up to 600 mm pull-out length
 - hose surface to fit faucet surface
- * Hose guide, swivelling 320°

- * EasyLock - a pull-out spray that easily slides back into place
- * KWC cartridge M 35
 - with ceramic discs
 - flow rate and temperature continuously variable
- * Flexible connection hoses 3/8"
- * Fastening by means of threaded sleeve M33 x 1.5
- * Mounting hole size ø35 mm
- * Scope of delivery:
 - Mains receiver 100-240 V / operating voltage 6.75 V / cable length 1100 mm

Technical Data

Flow rate
Light
Connection
Spout
Power supply
Handling
Kitchenspray
Color code
Installation type
Faucet_typ
Measure Height
Acoustic group
Projection A
Energy label
Dimension Water outlet
material

10 l/min (3 bar)
with LED Shine
Flexible connection hoses
swivel
mains receiver
side lever
Pull-out aerator
chromeline
Pillar installation
Lever mixer
339
I
A 190
B
201
Brass



Spare Parts

KWC EVE

Lever mixer - Kitchen - with LEDShine

Modell-Linie: EVE | 10.121.102.000FL
Taps | Manual taps



Cartridge M 35

536570
Z.534.836

Service key Neoperl © Caché ©, TJ, 18 mm, green

634729
CACHETJ
