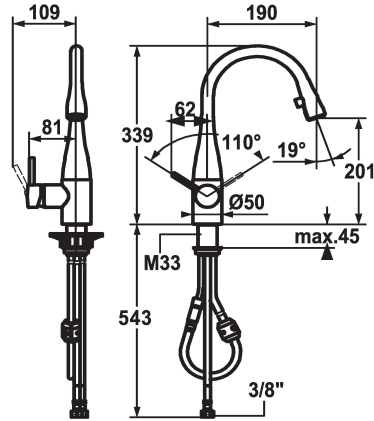


## KWC EVE Lever mixer - Kitchen

Modell-Linie: EVE | 10.111.102.000FL  
Taps | Manual taps



### KWC-No.

**121617**  
stainless steel, A 190, flexible connection hoses

**121619**  
chromeline, A 190, flexible connection hoses

### Color code

stainless steel

chromeline

- \* Lever mixer
- \* Lever installation possible on the right or left side
- \* TouchProtect - anti-scald protection thanks to the "double skin" principle
- \* Pull-out aerator covered
  - Neoperl® Caché®
  - up to 600 mm pull-out length
  - hose surface to fit faucet surface

- \* Hose guide, swivelling 320°
- \* EasyLock - a pull-out spray that easily slides back into place
- \* KWC cartridge M 35
  - with ceramic discs
  - flow rate and temperature continuously variable
- \* Flexible connection hoses 3/8"
- \* Fastening by means of threaded sleeve M33 x 1.5
- \* Mounting hole size ø35 mm

### Technical Data

Flow rate
Connection
Spout
Handling
Kitchenspray
Range_DE_Z
Color code
Range_INT_Z
Installation type
Faucet_typ
Range_CH_Z
Measure Height
Acoustic group
Projection A
Energy label
Dimension Water outlet
material

11 l/min
Flexible connection hoses
swivel
side lever
Pull-out aerator
Range DE future
chromeline
Range INT future
Pillar installation
Faucet
Range CH future
339
yes
A 190
B
201
Brass



### Spare Parts

## KWC EVE

Lever mixer - Kitchen

Modell-Linie: EVE | 10.111.102.000FL  
Taps | Manual taps



**Cartridge M 35**

---

**536570**  
Z.534.836

---



**Service key Neoperl © Caché ©, TJ, 18 mm, green**

---

**634729**  
CACHETJ

---