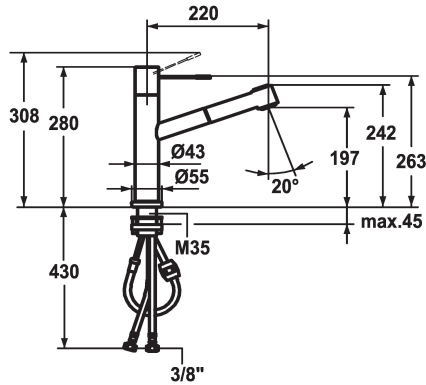
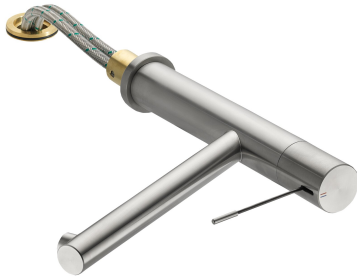


## KWC ONO

Lever mixer - Kitchen - detachable

Modell-Linie: ONO | 10.151.043.700FL

Taps | Manual taps



### KWC-No.

**123113**

stainless steel, A 220, flexible connection hoses

- \* Lever mixer
- \* Detachable for installation below windows - detached 55 mm
- \* Surgical-grade hardened stainless steel lever
- \* Intrinsicly safe against backflow
- \* Swivel spout 270°
- Neoperl® Caché®
- \* KWC cartridge M 35 H

- with ceramic discs
- flow rate and temperature continuously variable
- \* Flexible connection hoses 3/8"
- \* Fastening by means of threaded sleeve M35 x 1.5 (preassembled socket)
- \* Mounting hole size ø35 - 37 mm

### Technical Data

Flow rate
Connection
Spout
Detachable
Handling
Color code
Installation_type
Faucet_typ
Dimension Height
G_Acoustic group
Projection_A
Energy Label
Dimension Water outlet
material

11 l/min (3 bar)
Flexible connection hoses
swivel
detachable
top lever
stainless steel
Pillar installation
Lever mixer
280
I
A 225
B
215
stainless steel

