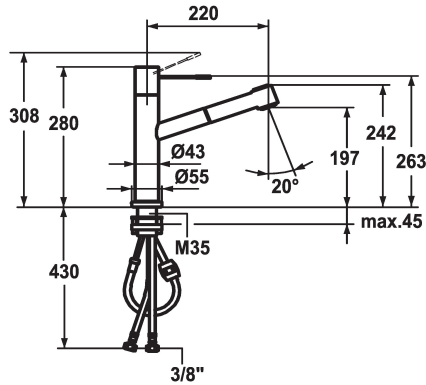
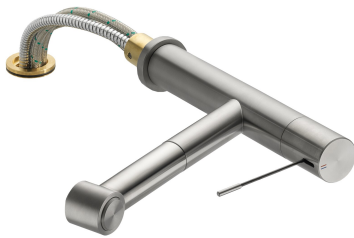


KWC ONO

Lever mixer - Kitchen - detachable

Modell-Linie: ONO | 10.151.053.700FL

Umyvadlové armatury | Hydraulické armatury



KWC-No.

123114

stainless steel, A 220, flexible connection hoses

- * Lever mixer
- * Detachable for installation below windows - detached 55 mm
- * Surgical-grade hardened stainless steel lever
- * TouchProtect - anti-scald protection thanks to the "double skin" principle
- * Intrinsicly safe against backflow
- * Pull-out spray
 - SprayClean - easy to clean and actively prevents limescale buildup
 - up to 700 mm pull-out length
 - PowerClean - needle spray mode, with automatic diverter reset

- hose surface to fit faucet surface
- * Hose guide, swivelling 105°
- * EasyLock - a pull-out spray that easily slides back into place
- * KWC cartridge M 35 H
 - with ceramic discs
 - flow rate and temperature continuously variable
- * Flexible connection hoses 3/8"
- * Fastening by means of threaded sleeve M35 x 1.5 (preassembled socket)
- * Mounting hole size ø35 - 37 mm

Technické údaje

ATT-KWC-A_AUSZUGBRAUSE_SIEB

ATT-KWC-A_AUSZUGBRAUSE_NORMAL

Connection

ATT-KWC-AUSLAUF

ATT-KWC-UNTERFENSTER

Handling

Kitchen_spray

ATT-KWC-FARBCODE

Installation_type

Faucet_typ

Measure_Height

G_Acoustic group

Projection_A

EnergyLabelCH

ATT-KWC-MASS-WASSERAUSTRITT

Material

9 l/min (3 bar)

9 l/min (3 bar)

Flexible_Anschlusschläuche

schwenkbar

wegnehmbar

topbedient

Auszugbrause

stainless steel

Standmontage

01

280

2

A220

A

197

ROSTFREIER_STAHL

