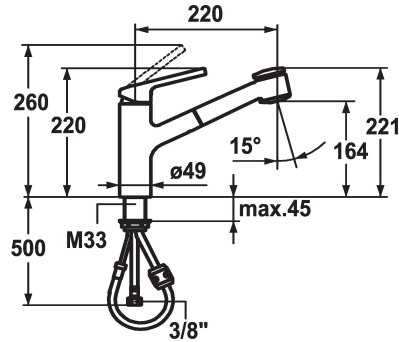


KWC LUNA E Lever mixer - Kitchen

Modell-Linie: LUNA E | 10.441.033.000FL
Taps | Manual taps



KWC-No.

123820
chromeline, A220

124751
matt black, A220

- * Lever mixer
- * TouchProtect - anti-scald protection thanks to the "double skin" principle
- * Pull-out spray
 - SprayClean - easy to clean and actively prevents limescale buildup
 - up to 600 mm pull-out length
 - PowerClean - needle spray mode, with automatic diverter reset
 - QuickConnect - Simple hose connection system

- * Hose guide, swivelling 130°
- * EasyLock - a pull-out spray that easily slides back into place
- * KWC cartridge M 35
 - with ceramic discs
 - flow rate and temperature continuously variable
- * Flexible connection hoses 3/8"
- * Fastening by means of threaded sleeve M33 x 1.5
- * Mounting hole size \varnothing 35 mm

Technical Data

Flow rate needle spray

10 l/min (3 bar)

Flow rate normal spray

10 l/min (3 bar)

Connection

Flexible connection hoses

Spout

swivel

Handling

top lever

Kitchen_spray

Pull-out spray

Color code

chrome

Installation_type

Pillar installation

Faucet_typ

Lever mixer

Dimension Height

220

G_Acoustic_group

II

Projection_A

A 220

Energy Label

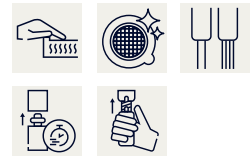
B

Dimension Water outlet

164

material

Brass



Spare Parts

KWC LUNA E Lever mixer - Kitchen

Modell-Linie: LUNA E | 10.441.033.000FL
Taps | Manual taps



Cartridge M 35 H

538327
Z.537.582
