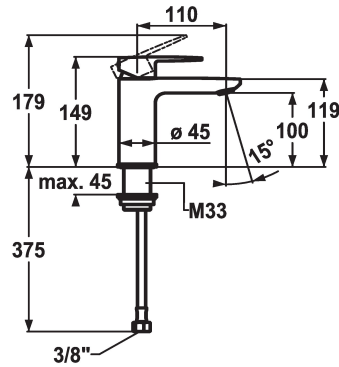


KWC ELLA Lever mixer - Basin

Modell-Linie: ELLA | 12.381.051.000FL
Taps | Manual taps



KWC-No.

124292
chromeline, A 110, flexible connection hoses, with pop-up valve

124293
chromeline, A 110, flexible connection hoses, without pop-up valve

- * Lever mixer
- * EcoProtect - water-saving device
- * Fixed spout
- Neoperl® Perlator® Shorty
- * KWC cartridge M 35 OP
- with ceramic discs

Pop-up_valve

with pop-up valve

without pop-up valve

- flow rate and temperature continuously variable
- temperature limitation
- * Flexible connection hoses 3/8"
- * Fastening by means of threaded sleeve M33 x 1.5
- * Mounting hole size Ø35 mm

Technical Data

| |
|------------------------|
| Flow rate |
| Pop-up_valve |
| Connection |
| Spout |
| Handling |
| Color code |
| Installation_type |
| Faucet_typ |
| Dimension Height |
| G_Acoustic group |
| Projection_A |
| Energy Label |
| Dimension Water outlet |
| material |

| |
|---------------------------|
| 5 l/min (3 bar) |
| without pop-up valve |
| Flexible connection hoses |
| fixed |
| top lever |
| chrome |
| Pillar installation |
| Lever mixer |
| 149 |
| I |
| A 110 |
| A |
| 100 |
| Brass |



Spare Parts

KWC ELLA Lever mixer - Basin

Modell-Linie: ELLA | 12.381.051.000FL
Taps | Manual taps



Cartridge M 35 OP

538331
Z.537.710
