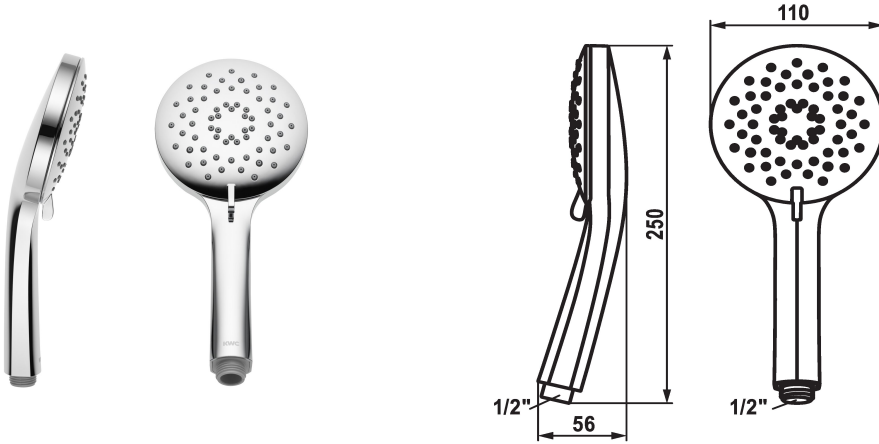


## KWC FIT-X Hand shower trio

Modell-Linie: FIT-X | 26.000.119.000  
Showers | Hand showers



### KWC-No.

**124492**  
chromeline

\* Hand shower KWC FIT -X trio  
\* TouchProtect - anti-scald protection thanks to the "double skin" principle

\* Cleaning-friendly faceplate  
\* Connecting thread 1/2"

### Technical Data

|                |
|----------------|
| Flow rate      |
| Connection     |
| Color code     |
| Faucet_typ     |
| Spray type     |
| Acoustic group |
| material       |

|                   |
|-------------------|
| 8 l/min (3 bar)   |
| G 1/2"            |
| chromeline        |
| Pre-assembly unit |
| G 3/8"1           |
| yes               |
| KUNSTSTOFF        |