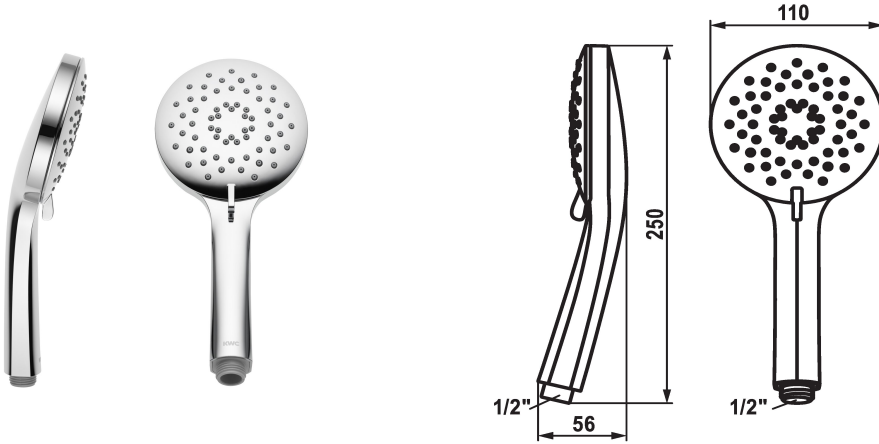


## KWC FIT-X Hand shower trio

Modell-Linie: FIT-X | 26.000.119.000  
Armatura natryskowa | Armatura natryskowa



### KWC-No.

**124492**  
chromeline

\* Hand shower KWC FIT -X trio  
\* TouchProtect - anti-scald protection thanks to the "double skin" principle

\* Cleaning-friendly faceplate  
\* Connecting thread 1/2"

### Dane techniczne

A_Spout_Spray
Connection
ATT-KWC-FARBCODE
Faucet_typ
ATT-KWC-STRAHLART
G_Acoustic group
Material

8 l/min (3 bar)
G1/2"
chromeline
18
09
1
KUNSTSTOFF