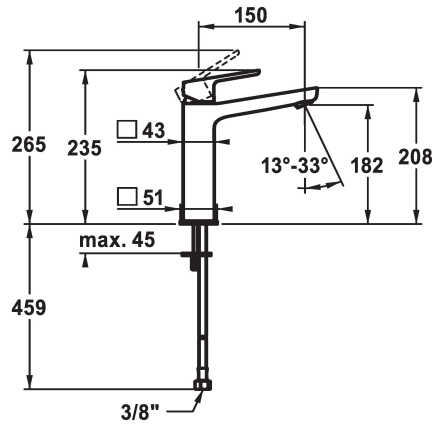


## KWC MONTA Lever mixer - Basin

Modell-Linie: MONTA | 12.411.093.000FL  
Kranar | Hydraulické armatúry



### KWC-No.

**124523**

chromeline, A 150, flexible connection hoses, without pop-up valve

- \* Lever mixer
- \* For top-mounted basins
- \* EcoProtect - water-saving device
- \* Fixed spout
- Neoperl® Perlator® SSR, swivelling jet regulator
- \* OptimalSpace - ample space for washing or working
- \* KWC cartridge M 35 OP

- with ceramic discs
- flow rate and temperature continuously variable
- temperature limitation
- \* Flexible connection hoses 3/8"
- \* Fastening by means of stud bolt 2x M6 x 1
- \* Mounting hole size ø35 mm

### Technical Data

A\_Spout\_Spray

ATT-KWC-ABLAUFGARNITUR

Connection

ATT-KWC-AUSLAUF

Handling

ATT-KWC-FARBCODE

Installation\_type

Faucet\_typ

Measure\_Height

G\_Acoustic group

Projection\_A

EnergyLabelCH

ATT-KWC-MASS-WASSERAUSTRITT

Material

5 l/min (3 bar)

ohne\_Ablaufgarnitur

Flexible\_Anschlusschläuche

fest

topbedient

chromeline

Standmontage

01

235

1

A150

A

182

Mässing



### Reservdelar

## KWC MONTA Lever mixer - Basin

Modell-Linie: MONTA | 12.411.093.000FL  
Kranar | Hydraulické armatury



### Cartridge M 35 OP

---

**538331**  
Z.537.710

---