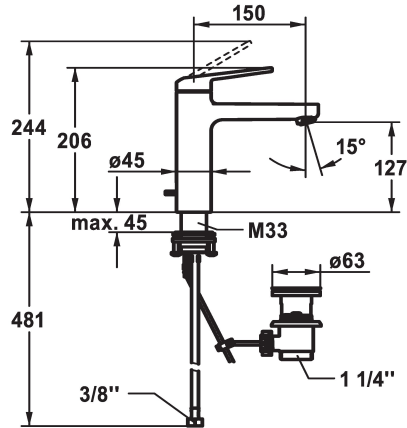


KWC DOMO 6.0 Lever mixer - Basin

Modell-Linie: DOMO 6.0 | 12.668.042.000FL
Taps | Manual taps



KWC-No.

124552
chromeline, A 150, flexible connection hoses, with pop-up valve

124553
chromeline, A 150, flexible connection hoses, without pop-up valve

- * Lever mixer
- * EcoProtect - water-saving device
- * Fixed spout
- Neoperl® Cascade® SLC
- * OptimalSpace - ample space for washing or working
- * KWC cartridge M 35 OP
- with ceramic discs
- flow rate and temperature continuously variable

pop-up assembly

with pop-up valve

without pop-up valve

- temperature limitation
- * Flexible connection hoses 3/8"
- * QuickInstallation - Fastening via threaded connection with locking screws
- * Mounting hole size ø35 mm
- * Scope of delivery:
- KWC pop-up valve Z.538.581.000

Technical Data

| |
|------------------------|
| Flow rate |
| pop-up assembly |
| Connection |
| Spout |
| Handling |
| Color code |
| Installation type |
| Faucet_typ |
| Dimension Height |
| Acoustic group |
| Projection A |
| Energy label |
| Dimension Water outlet |
| material |

| |
|---------------------------|
| 4 l/min (3 bar) |
| with pop-up valve |
| Flexible connection hoses |
| fixed |
| top lever |
| chromeline |
| Pillar installation |
| Basin1 |
| 206 |
| yes |
| A 150 |
| A |
| 127 |
| Brass |

