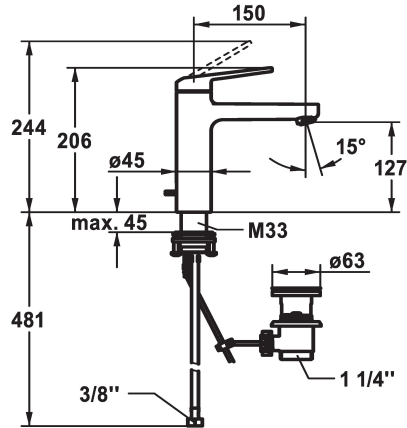


## KWC DOMO 6.0 Lever mixer - Basin

Modell-Linie: DOMO 6.0 | 12.668.042.000FL  
Kranar | Hydraulické armatúry



### KWC-No.

**124552**  
chromeline, A 150, flexible connection hoses, with pop-up valve

**124553**  
chromeline, A 150, flexible connection hoses, without pop-up valve

- \* Lever mixer
- \* EcoProtect - water-saving device
- \* Fixed spout
- Neoperl® Cascade® SLC
- \* OptimalSpace - ample space for washing or working
- \* KWC cartridge M 35 OP
- with ceramic discs
- flow rate and temperature continuously variable

### ATT-KWC- ABLAUFGARNITUR

mit\_Ablaufgarnitur

ohne\_Ablaufgarnitur

- temperature limitation
- \* Flexible connection hoses 3/8"
- \* QuickInstallation - Fastening via threaded connection with locking screws
- \* Mounting hole size ø35 mm
- \* Scope of delivery:
- KWC pop-up valve Z.538.581.000

### Technical Data

A\_Spout\_Spray

ATT-KWC-ABLAUFGARNITUR

Connection

ATT-KWC-AUSLAUF

Handling

ATT-KWC-FARBCODE

Installation\_type

Faucet\_typ

Measure\_Height

G\_Acoustic group

Projection\_A

EnergyLabelCH

ATT-KWC-MASS-WASSERAUSTRITT

Material

4 l/min (3 bar)

mit\_Ablaufgarnitur

Flexible\_Anschlussschläuche

fest

topbedient

chromeline

Standmontage

01

206

1

A150

A

127

Mässing

