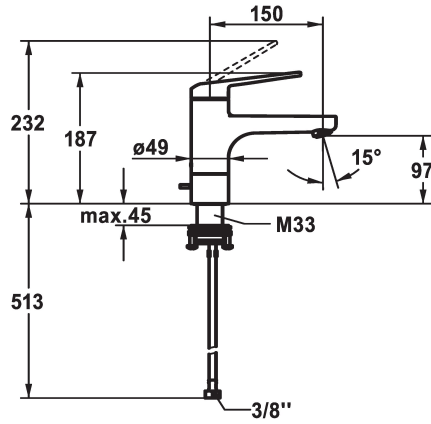


## KWC DOMO 6.0 Lever mixer - Basin

Modell-Linie: **DOMO 6.0** | 12.668.021.000FL  
Taps | Manual taps



### KWC-No.

**124561**  
chromeline, A 150, flexible connection hoses, with pop-up valve

**124562**  
chromeline, A 150, flexible connection hoses, without pop-up valve

- \* Lever mixer
- \* EcoProtect - water-saving device
- \* Swivel spout 90°
- Neoperl® Cascade® SLC
- \* OptimalSpace - ample space for washing or working
- \* KWC cartridge M 35 S
- with ceramic discs

### pop-up assembly

with pop-up valve

without pop-up valve

- flow rate and temperature continuously variable
- temperature limitation
- \* Flexible connection hoses 3/8"
- \* QuickInstallation - Fastening via threaded connection with locking screws
- \* Mounting hole size ø35 mm

### Technical Data

Flow rate
pop-up assembly
Connection
Spout
Handling
Color code
Installation type
Faucet_typ
Dimension Height
Acoustic group
Projection A
Energy label
Dimension Water outlet
material

5 l/min (3 bar)
without pop-up valve
Flexible connection hoses
swivel
top lever
chromeline
Pillar installation
Basin1
187
yes
A 150
A
97
Brass

