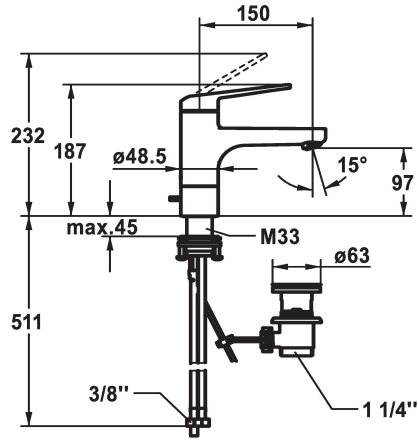


KWC DOMO 6.0

Lever mixer - Basin - Low pressure

Modell-Linie: DOMO 6.0 | 12.665.011.000FL

Taps | Manual taps



KWC-No.

124564
chromeline, A 150, flexible connection hoses, with pop-up valve

124565
chromeline, A 150, flexible connection hoses, without pop-up valve

- * Lever mixer
- * EcoProtect - water-saving device
- * Swivel spout 90°
- Jet regulator
- * OptimalSpace - ample space for washing or working
- * KWC cartridge M 35 S
- with ceramic discs
- flow rate and temperature continuously variable

pop-up valve

with pop-up valve

without pop-up valve

- temperature limitation
- * Flexible connection hoses 3/8"
- * QuickInstallation - Fastening via threaded connection with locking screws
- * Mounting hole size ø35 mm
- * Scope of delivery:
- KWC pop-up valve Z.538.581.000

Technical Data

Flow rate	4,8l/min(3bar)
pop-up valve	with pop-up valve
Connection	Flexible connection hoses
Spout	swivel
Handling	top lever
Color code	chromeline
Installation type	Pillar installation
Faucet_typ	Faucet
Measure Height	187
Energysaving	low pressure
Acoustic group	yes
Projection A	A 150
Energy label	A
Dimension Water outlet	97
material	Brass

Flow rate	4,8l/min(3bar)
pop-up valve	with pop-up valve
Connection	Flexible connection hoses
Spout	swivel
Handling	top lever
Color code	chromeline
Installation type	Pillar installation
Faucet_typ	Faucet
Measure Height	187
Energysaving	low pressure
Acoustic group	yes
Projection A	A 150
Energy label	A
Dimension Water outlet	97
material	Brass

