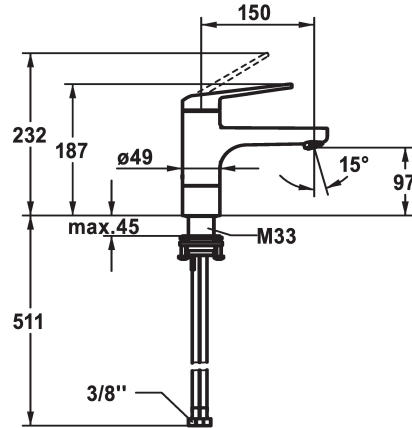


## KWC DOMO 6.0 Lever mixer - Basin - Low pressure

Modell-Linie: DOMO 6.0 | 12.665.021.000FL  
Taps | Manual taps



### KWC-No.

**124564**  
chromeline, A 150, flexible connection hoses, with pop-up valve

**124565**  
chromeline, A 150, flexible connection hoses, without pop-up valve

- \* Lever mixer
- \* EcoProtect - water-saving device
- \* Swivel spout 90°
- Jet regulator
- \* OptimalSpace - ample space for washing or working
- \* KWC cartridge M 35 S
- with ceramic discs

### Pop-up\_valve

with pop-up valve

without pop-up valve

- flow rate and temperature continuously variable
- temperature limitation
- \* Flexible connection hoses 3/8"
- \* QuickInstallation - Fastening via threaded connection with locking screws
- \* Mounting hole size ø35 mm

### Technical Data

Pop-up_valve
Connection
Spout
Handling
Color code
Installation_type
Faucet_typ
Dimension Height
Energysaving
Acoustic group
Projection_A
Energy Label
Dimension Water outlet
material

without pop-up valve
Flexible connection hoses
swivel
top lever
chrome
Pillar installation
Faucet
187
low pressure
Battery1
A 150
A
97
Brass

