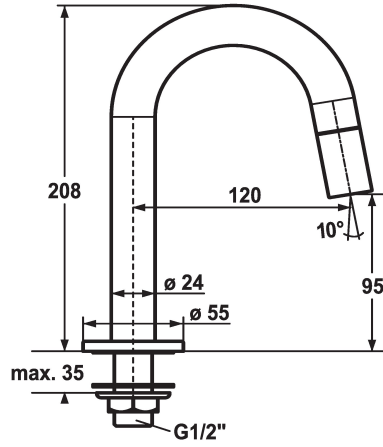


## KWC STANDVENTIL Vertical shut-off valve

Modell-Linie: STANDVENTIL | 25.001.010.000  
Taps | Manual taps



### KWC-No.

**124602**  
chromeline, A 120, G 1/2"

\* Vertical shut-off valve  
\* Operating handle integrated into the spout  
\* Fixed spout  
- Neoperl® Caché®

\* Ceramic disc valve 1/2" 90°  
\* Connecting thread 1/2"  
\* Mounting hole size ø22mm or ø35mm

### Technical Data

Flow rate
Connection
Handling
Color code
Installation_type
Faucet_typ
Design
Dimension Height
G_Acoustic group
Projection_A
Energy Label

4 l/min (3 bar)
G 1/2"
front lever
chrome
Pillar installation
Vertical shut-off valve
J-Spout
208
I
A 120
A



### Spare Parts



Service key Neoperl © Caché ©, JR, 21 mm, red



**KWC** STANDVENTIL  
Vertical shut-off valve

**Modell-Linie: STANDVENTIL | 25.001.010.000**  
Taps | Manual taps

**639017**  
Z.635.215

---