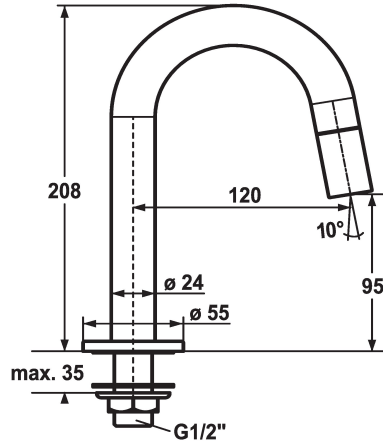


## KWC STANDVENTIL Vertical shut-off valve

Modell-Linie: STANDVENTIL | 25.001.010.000  
Hanat | Käsi käyttöiset hanat



### KWC-No.

**124602**  
chromeline, A 120, G 1/2"

\* Vertical shut-off valve  
\* Operating handle integrated into the spout  
\* Fixed spout  
- Neoperl® Caché®

\* Ceramic disc valve 1/2" 90°  
\* Connecting thread 1/2"  
\* Mounting hole size ø22mm or ø35mm

### Tekniset tiedot

|                   |
|-------------------|
| A_Spout_Spray     |
| Connection        |
| Handling          |
| ATT-KWC-FARBCODE  |
| Installation_type |
| Faucet_typ        |
| ATT-KWC-BAUFORM   |
| Measure_Height    |
| G_Acoustic group  |
| Projection_A      |
| EnergyLabelCH     |
| lviCode           |

|                 |
|-----------------|
| 4 l/min (3 bar) |
| G1/2"           |
| frontbedient    |
| chromeline      |
| Standmontage    |
| Standventil     |
| J-Spout         |
| 208             |
| I               |
| A120            |
| A               |
| 0               |



### Varaosat





**KWC** STANDVENTIL  
Vertical shut-off valve

**Modell-Linie: STANDVENTIL | 25.001.010.000**  
Hanat | Käsi­käyt­toiset hanat

**Service key Neoperl © Caché ©, JR, 21  
mm, red**

---

**639017**  
Z.635.215

---