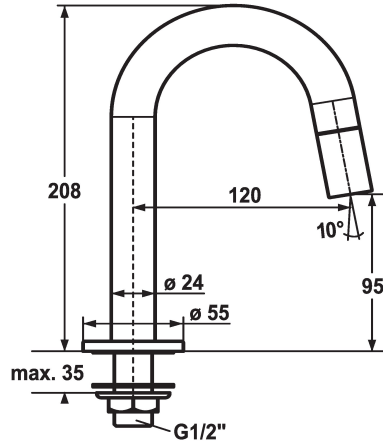


KWC STANDVENTIL Vertical shut-off valve

Modell-Linie: STANDVENTIL | 25.001.010.000
Kranar | Hydraulické armatury



KWC-No.

124602
chromeline, A 120, G 1/2"

* Vertical shut-off valve
* Operating handle integrated into the spout
* Fixed spout
- Neoperl® Caché®

* Ceramic disc valve 1/2" 90°
* Connecting thread 1/2"
* Mounting hole size ø22mm or ø35mm

Technical Data

A_Spout_Spray
Connection
Handling
ATT-KWC-FARBCODE
Installation_type
Faucet_typ
ATT-KWC-BAUFORM
Measure_Height
G_Acoustic group
Projection_A
EnergyLabelCH

4 l/min (3 bar)
G1/2"
frontbedient
chromeline
Standmontage
Standventil
J-Auslauf
208
I
A120
A



Reservdelar



Service key Neoperl © Caché ©, JR, 21 mm, red



KWC STANDVENTIL
Vertical shut-off valve

Modell-Linie: STANDVENTIL | 25.001.010.000
Kranar | Hydraulické armatury

639017
Z.635.215
