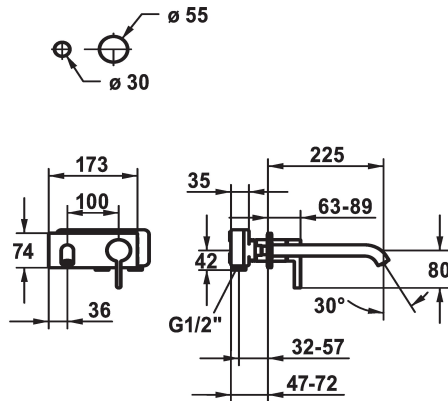


## KWC BEVO Trim kit - Lever mixer - Basin

Modell-Linie: BEVO | 11.422.034.000  
Taps | Manual taps



### KWC-No.

**124619**  
chromeline, A 175, Trim kit

**124620**  
chromeline, A 225, Trim kit

**125022**  
matt black, A 175, Trim kit

**125023**  
matt black, A 225, Trim kit

**125049**  
brushed steel, A 175, Trim kit

**125050**  
brushed steel, A 225, Trim kit

### Color code

chromeline

chromeline

brushed steel

brushed steel

### Projection A

A 175

A 225

A 175

A 225

- \* Trim kit Lever mixer
- \* EcoProtect - water-saving device
- \* Fixed spout
- Neoperl® Caché® CS, Coin Slot
- \* OptimalSpace - ample space for washing or working
- \* KWC cartridge M 35 H

- with ceramic discs
- flow rate and temperature continuously variable
- \* To be ordered separately:
- Unit for concealed installation ½" 39.001.401.931
- \* To be ordered separately (optional or if necessary):
- Extension set 20 mm Z.536.333

### Technical Data

Flow rate	5 l/min (3 bar)
Spout	fixed
Diameter	173 x 74
Handling	front lever
Color code	chromeline
Installation type	Wall mounted
Faucet_typ	Basin1
Acoustic group	yes
Concealed unit	Trim kit
Projection A	A 225
Energy label	A
material	Brass

Flow rate	5 l/min (3 bar)
Spout	fixed
Diameter	173 x 74
Handling	front lever
Color code	chromeline
Installation type	Wall mounted
Faucet_typ	Basin1
Acoustic group	yes
Concealed unit	Trim kit
Projection A	A 225
Energy label	A
material	Brass



### Mandatory Accessories

## KWC BEVO

Trim kit - Lever mixer - Basin

Modell-Linie: BEVO | 11.422.034.000  
Taps | Manual taps



### BEVO Concealed unit

---

**124315**

39.001.401.931

---

### Spare Parts



### Cartridge M 35 H

---

**538327**

Z.537.582

---