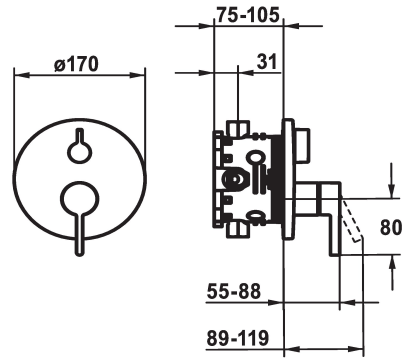


## KWC BEVO Trim kit - Lever mixer - Tub

Modell-Linie: BEVO | 20.424.510.000  
Duschar | Badkarsarmaturer



### KWC-No.

<b>124634</b> chromeline, Trim kit
<b>124636</b> chromeline, Trim kit, with vacuum breaker
<b>125027</b> matt black, Trim kit
<b>125028</b> matt black, Trim kit, with vacuum breaker
<b>125054</b> brushed steel, Trim kit
<b>125055</b> brushed steel, Trim kit, with vacuum breaker

### ATT-KWC-FARBCODE

chromeline
chromeline
matt black
matt black
brushed steel
brushed steel

### ATT-KWC-UNTERPUTZ

FM-Set
FM-Set mit SI
FM-Set
FM-Set mit SI
FM-Set
FM-Set mit SI

- \* Trim kit with function unit
- \* Outflow top and below
- \* Turning handle for diverter
- \* KWC cartridge M 35 H
- with ceramic discs
- flow rate and temperature continuously variable
- \* Scope of delivery:

- Function unit, lever, cap, sleeve, cover plate, holder for escutcheon, diverter
- Fastening of the cover plate without screws
- \* To be ordered separately:
- Unit for concealed installation KWC BLUEBOX®
- ½", without shut-off valve, 39.999.900.931
- ¾" (½"), with shut-off valve, 39.999.910.931

### Technical Data

ATT-KWC-A_ABGANG_UP
Diameter
Handling
ATT-KWC-FARBCODE
Installation_type
Faucet_typ
G_Acoustic_group
ATT-KWC-UNTERPUTZ
EnergyLabelCH
Material

19 l/min (3 bar)
D170
frontbedient
chromeline
Väggmontering
Hebelmischer
I
FM-Set mit SI
C
Mässing



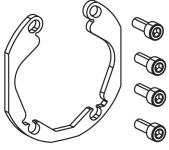
### Extratillbehör

## KWC BEVO

Trim kit - Lever mixer - Tub

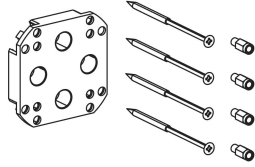
Modell-Linie: BEVO | 20.424.510.000

Duschar | Badkarsarmaturer



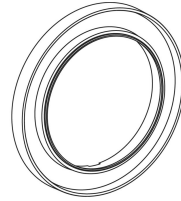
**BLUEBOX Alignment set**

**537593**  
Z.537.593



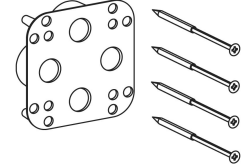
**BLUEBOX Extension set 15 mm**

**537595**  
Z.537.595



**BLUEBOX Excutechon extension**

**537600**  
Z.537.600



**BLUEBOX Reverse adapter**

**537953**  
Z.537.953

## Reservdelar



**Cartridge M 35 H**

**538327**  
Z.537.582