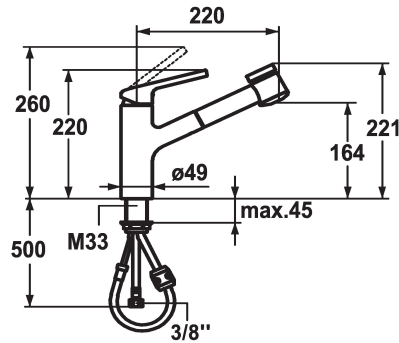


KWC LUNA E Lever mixer - Kitchen

Modell-Linie: LUNA E | 10.441.033.176FL
Taps | Manual taps



KWC-No.

123820
chromeline, A220

124751
matt black, A220

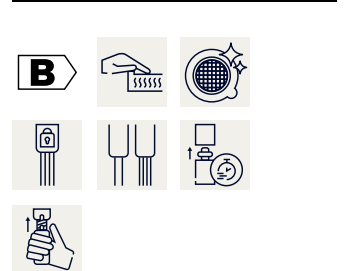
- * Lever mixer
- * TouchProtect - anti-scald protection thanks to the "double skin" principle
- * Pull-out spray
 - SprayClean - easy to clean and actively prevents limescale buildup
 - up to 600 mm pull-out length
 - SprayLock - lockable jet spray
 - PowerClean - needle spray mode, with automatic diverter reset

- QuickConnect - Simple hose connection system
- * Hose guide, swivelling 130°
- * EasyLock - a pull-out spray that easily slides back into place
- * KWC cartridge M 35
 - with ceramic discs
 - flow rate and temperature continuously variable
- * Flexible connection hoses 3/8"
- * Fastening by means of threaded sleeve M33 x 1.5
- * Mounting hole size ø35 mm

Technical Data

Flow rate needle spray
Flow rate normal spray
Connection
Spout
Handling
Kitchenspray
Color code
Installation type
Faucet_typ
Dimension Height
Acoustic group
Projection A
Energy label
Dimension Water outlet
material

10 l/min (3 bar)
10 l/min (3 bar)
Flexible connection hoses
swivel
top lever
Pull-out spray
matt black
Pillar installation
Lever mixer
220
I
A 220
B
164
Brass



Spare Parts

KWC LUNA E
Lever mixer - Kitchen

Modell-Linie: LUNA E | 10.441.033.176FL
Taps | Manual taps



Cartridge M 35 H

538327
Z.537.582
