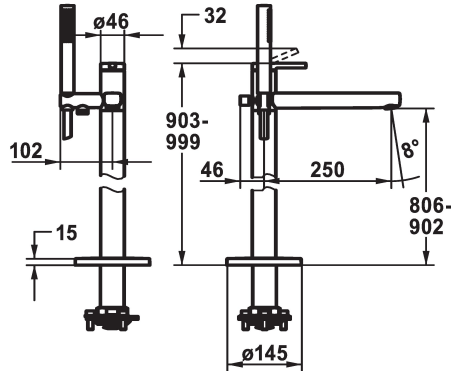


## KWC AVA 2.0 Lever mixer - Tub

Modell-Linie: AVA 2.0 | 20.461.093.000  
Showers | Exposed bath mixer



### KWC-No.

**124793**  
chromeline, A 250, with hand shower and hose

- \* For freestanding tub
- \* Integrated check valve in the hose outlet
- \* with shower holder
- \* Fixed spout
- Neoperl® Perlator® laminar
- \* KWC cartridge M 35 OP
- with ceramic discs

- flow rate and temperature continuously variable
- temperature limitation
- \* Scope of delivery:
- Hand shower KWC FIT-X slim 26.000.103.000
- Shower hose 1500 mm, metal Z.538.415.000
- \* To be ordered separately:
- Unit for concealed installation 39.000.602.931

### Technical Data

Flow rate
Spray outlet: Flow rate
Shower_set
Handling
Color code
Installation_type
Faucet_typ
Dimension Height
Acoustic group
Spray outlet: Acoustic group
Projection_A
Energy Label
Dimension Water outlet
material

21 l/min (3 bar)
12 l/min (3bar)
with shower head, hose
top lever
chrome
Freestanding
Basin1
903-999
Mains receiver1
Battery1
A 250
B
806-902
Brass



### Spare Parts

## KWC AVA 2.0 Lever mixer - Tub

Modell-Linie: AVA 2.0 | 20.461.093.000  
Showers | Exposed bath mixer



**Cartridge M 35 OP**

---

**538331**  
Z.537.710

---



**Service key Neoperl © Caché ©, STD,  
24 mm, grey**

---

**635231**  
Z.635.231

---