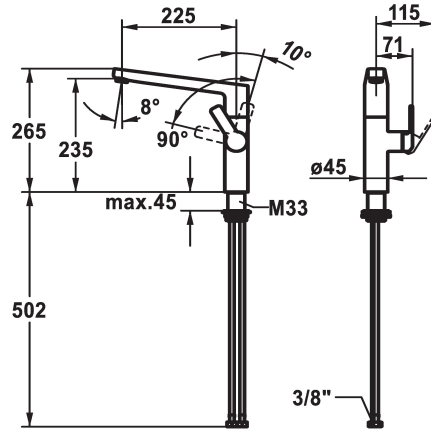


## KWC DOMO 6.0 Lever mixer - Kitchen

Modell-Linie: DOMO 6.0 | 10.661.013.000FL  
Taps | Manual taps



### KWC-No.

**124926**  
chromeline, A 225, flexible connection hoses

- \* Lever mixer
- \* Lever installation only possible on the right side
- Child safety: cold water flow in lever position towards the front
- \* gap between wall and centre of mounting hole min. 26 mm
- \* SwivelStop - swivel spout 150°, extensible to 360°
- Neoperl® Cascade® SLC
- \* OptimalSpace - ample space for washing or working
- \* KWC cartridge M 35 S
- with ceramic discs

- flow rate and temperature continuously variable
- temperature limitation
- \* Flexible connection hoses 3/8"
- \* QuickInstallation - Fastening via threaded connection with locking screws
- \* Mounting hole size ø35 mm
- \* To be ordered separately (optional or if necessary):
- Swivel range limited to 120° Z.538.320

### Technical Data

Flow rate
Connection
Spout
Handling
Color code
Installation type
Faucet_typ
Dimension Height
Acoustic group
Projection A
Energy label
Dimension Water outlet
material

11 l/min (3 bar)
Flexible connection hoses
swivel
side lever
chromeline
Pillar installation
Lever mixer
265
I
A 225
B
235
Brass

