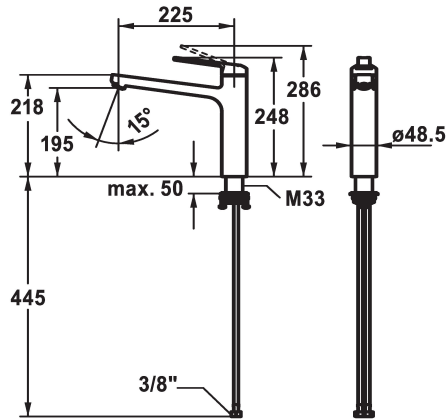


## KWC DOMO E Lever mixer - Kitchen

Modell-Linie: DOMO E | 10.701.023.700FL  
Taps | Manual taps



### KWC-No.

**124933**

stainless steel, A 225, flexible connection hoses

- \* Lever mixer
- \* Swivel spout 150°
- Neoperl® Cascade® SLC
- \* OptimalSpace - ample space for washing or working
- \* KWC cartridge M 35 S
- with ceramic discs

- flow rate and temperature continuously variable
- temperature limitation
- \* Flexible connection hoses 3/8"
- \* QuickInstallation - Fastening via threaded connection with locking screws
- \* Mounting hole size ø35 mm

### Technical Data

Flow rate
Connection
Spout
Handling
Color code
Installation type
Faucet_typ
Dimension Height
Acoustic group
Projection A
Energy label
Dimension Water outlet
material

12 l/min (3 bar)
Flexible connection hoses
swivel
top lever
stainless steel
Pillar installation
Faucet
248
yes
A 225
B
195
stainless steel

