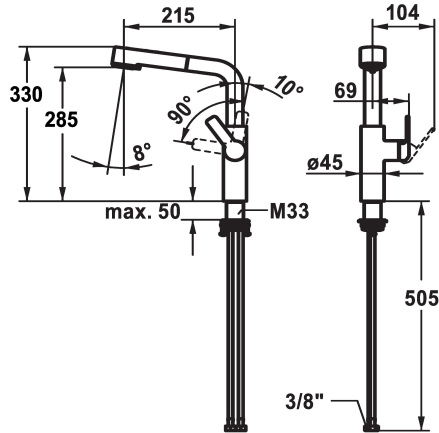


## KWC DOMO E Lever mixer - Kitchen

Modell-Linie: DOMO E | 10.701.003.700FL  
Hanat | Käsikäyttöiset hanat



### KWC-No.

**124937**  
stainless steel, A 215, flexible connection hoses

- \* Lever mixer
- \* Lever installation only possible on the right side
- Child safety: cold water flow in lever position towards the front
- \* gap between wall and centre of mounting hole min. 26 mm
- \* TouchProtect - anti-scald protection thanks to the "double skin" principle
- \* Intrinsicly safe against backflow
- \* Pull-out spray
  - SprayClean - easy to clean and actively prevents limescale buildup
  - up to 600 mm pull-out length
  - TripleClean - Normal, soft, and power stream modes
  - hose surface to fit faucet surface

- QuickConnect - Simple hose connection system
- \* Hose guide, swivelling 150°
- \* EasyLock - a pull-out spray that easily slides back into place
- \* OptimalSpace - ample space for washing or working
- \* KWC cartridge M 35 S
  - with ceramic discs
  - flow rate and temperature continuously variable
  - temperature limitation
- \* Flexible connection hoses 3/8"
- \* QuickInstallation - Fastening via threaded connection with locking screws
- \* Mounting hole size ø35 mm

### Tekniset tiedot

|                               |                             |
|-------------------------------|-----------------------------|
| ATT-KWC-A_AUSZUGBRAUSE_SIEB   | 8 l/min (3 bar)             |
| ATT-KWC-A_AUSZUGBRAUSE_NORMAL | 8 l/min (3 bar)             |
| Connection                    | Flexible_Anschlussschläuche |
| Spout                         | schwenkbar                  |
| Handling                      | seitenbedient               |
| Kitchen_spray                 | Auszugbrause                |
| ATT-KWC-FARBCODE              | stainless steel             |
| Installation_type             | Standmontage                |
| Faucet_typ                    | Hebelmischer                |
| Measure_Height                | 330                         |
| G_Acoustic group              | I                           |
| Projection_A                  | A215                        |
| EnergyLabelCH                 | B                           |
| ATT-KWC-MASS-WASSERAUSTRITT   | 285                         |
| Materiali                     | ROSTFREIER_STAHL            |
| lviCode                       | 0                           |

