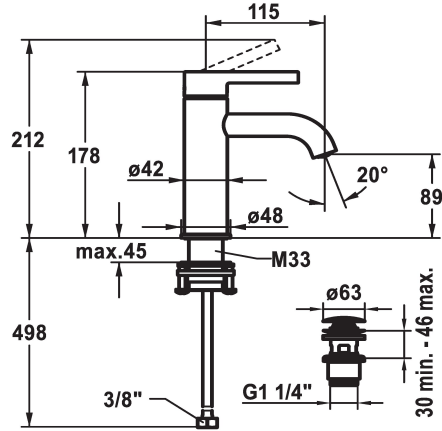


## KWC BEVO Lever mixer - Basin

Modell-Linie: BEVO | 12.421.641.177FL  
Taps | Manual taps



### KWC-No.

**125016**  
matt black, A 115, flexible connection hoses, with Push Open

**125017**  
matt black, A 115, flexible connection hoses, without pop-up valve

**125043**  
brushed steel, A 115, flexible connection hoses, with Push Open

**125044**  
brushed steel, A 115, flexible connection hoses, without pop-up valve

- \* Lever mixer
- \* EcoProtect - water-saving device
- \* Fixed spout
- Neoperl® Caché® CS, Coin Slot
- \* KWC cartridge M 35 OP
- with ceramic discs
- flow rate and temperature continuously variable

### Pop-up\_valve

with Push open

without pop-up valve

with Push open

without pop-up valve

### Color code

matt black

matt black

brushed steel

brushed steel

- temperature limitation
- \* Flexible connection hoses 3/8"
- \* QuickInstallation - Fastening via threaded connection with locking screws
- \* Mounting hole size ø35 mm
- \* Scope of delivery:
- KWC pop-up valve Push Open 2 in 1 Z.538.321.177

### Technical Data

Flow rate
Pop-up_valve
Connection
Spout
Handling
Color code
Installation_type
Faucet_typ
Dimension Height
G_Acoustic group
Projection_A
Energy Label
Dimension Water outlet
material

5 l/min (3 bar)
with Push open
Flexible connection hoses
fixed
top lever
brushed steel
Pillar installation
Lever mixer
178
I
A 115
A
89
Brass



### Spare Parts



**KWC** BEVO  
Lever mixer - Basin

**Modell-Linie: BEVO | 12.421.641.177FL**  
Taps | Manual taps



**Cartridge M 35 OP**

---

**538331**  
Z.537.710

---