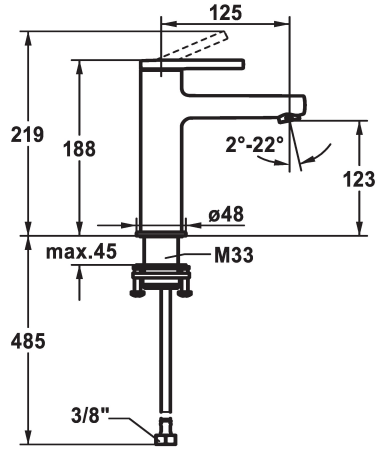


KWC AVA 2.0 Lever mixer - Basin

Modell-Linie: AVA 2.0 | 12.468.052.000FL
Taps | Manual taps



KWC-No.

125078
chromeline, A 125, flexible connection hoses, with pop-up valve

125079
chromeline, A 125, flexible connection hoses, without pop-up valve

125080
chromeline, A 125, flexible connection hoses, with Push Open

- * EcoProtect - water-saving device
- * Fixed spout
- Neoperl® Perlator® SSR, swivelling jet regulator
- * KWC cartridge S 25
- with ceramic discs

Pop-up_valve

with pop-up valve

without pop-up valve

with Push open

- flow rate and temperature continuously variable
- * Flexible connection hoses 3/8"
- * QuickInstallation - Fastening via threaded connection with locking screws
- * Mounting hole size ø35 mm

Technical Data

Flow rate	5 l/min (3 bar)
Pop-up_valve	without pop-up valve
Connection	Flexible connection hoses
Spout	fixed
Handling	top lever
Color code	chrome
Installation_type	Pillar installation
Faucet_typ	Basin1
Dimension Height	168
Acoustic group	Battery1
Projection_A	A 125
Energy Label	A
Dimension Water outlet	123
material	Brass

Flow rate	5 l/min (3 bar)
Pop-up_valve	without pop-up valve
Connection	Flexible connection hoses
Spout	fixed
Handling	top lever
Color code	chrome
Installation_type	Pillar installation
Faucet_typ	Basin1
Dimension Height	168
Acoustic group	Battery1
Projection_A	A 125
Energy Label	A
Dimension Water outlet	123
material	Brass

