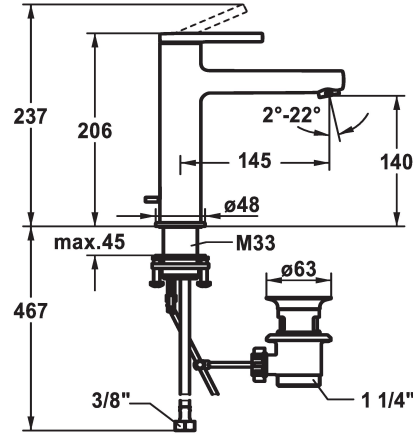


KWC AVA 2.0 Lever mixer - Basin

Modell-Linie: AVA 2.0 | 12.468.043.000FL
Taps | Manual taps



KWC-No.

125088
chromeline, A 145, flexible connection hoses, with pop-up valve

125089
chromeline, A 145, flexible connection hoses, without pop-up valve

125090
chromeline, A 145, flexible connection hoses, with Push Open

- * EcoProtect - water-saving device
- * Fixed spout
- Neoperl® Perlator® SSR, swivelling jet regulator
- * OptimalSpace - ample space for washing or working
- * KWC cartridge S 25
- with ceramic discs
- flow rate and temperature continuously variable

pop-up valve

with pop-up valve

without pop-up valve

with Push open

- * Flexible connection hoses 3/8"
- * QuickInstallation - Fastening via threaded connection with locking screws
- * Mounting hole size ø35 mm
- * Scope of delivery:
- KWC pop-up valve Z.538.581.000

Technical Data

Flow rate	5 l/min (3 bar)
pop-up valve	with pop-up valve
Connection	Flexible connection hoses
Spout	fixed
Handling	top lever
Color code	chromeline
Installation type	Pillar installation
Faucet_typ	Faucet
Measure Height	206
Acoustic group	yes
Projection A	A 145
Energy label	A
Dimension Water outlet	140
material	Brass

Flow rate	5 l/min (3 bar)
pop-up valve	with pop-up valve
Connection	Flexible connection hoses
Spout	fixed
Handling	top lever
Color code	chromeline
Installation type	Pillar installation
Faucet_typ	Faucet
Measure Height	206
Acoustic group	yes
Projection A	A 145
Energy label	A
Dimension Water outlet	140
material	Brass

