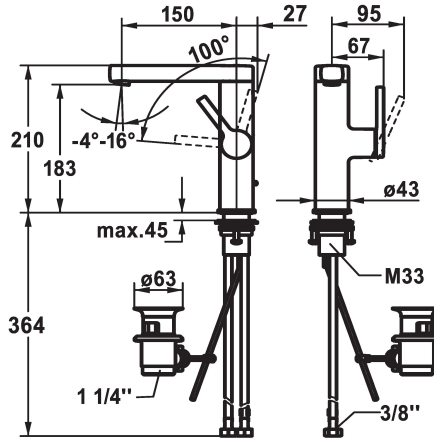


## KWC AVA 2.0 Lever mixer - Basin

Modell-Linie: AVA 2.0 | 12.468.131.000FL  
Taps | Manual taps



### KWC-No.

**125096**  
chromeline, A 150, flexible connection hoses, with pop-up valve

**125097**  
chromeline, A 150, flexible connection hoses, without pop-up valve

**125098**  
chromeline, A 150, flexible connection hoses, with Push Open

- \* Lever installation only possible on the right side
- Child safety: cold water flow in lever position towards the front
- \* gap between wall and centre of mounting hole min. 27 mm
- \* EcoProtect - water-saving device
- \* Swivel spout 120°
- Neoperl® Perlator® SJR, swivelling jet regulator
- \* OptimalSpace - ample space for washing or working
- \* KWC cartridge S 25

### pop-up assembly

with pop-up valve

without pop-up valve

with Push open

- with ceramic discs
- flow rate and temperature continuously variable
- \* Flexible connection hoses 3/8"
- \* QuickInstallation - Fastening via threaded connection with locking screws
- \* Mounting hole size  $\varnothing 35$  mm
- \* Scope of delivery:
- KWC pop-up valve Z.538.581.000

### Technical Data

Flow rate	5 l/min (3 bar)
pop-up assembly	with pop-up valve
Connection	Flexible connection hoses
Spout	swivel
Handling	side lever
Color code	chromeline
Installation type	Pillar installation
Faucet_typ	Basin1
Dimension Height	210
Acoustic group	yes
Projection A	A 150
Energy label	A
Dimension Water outlet	183
material	Brass

Flow rate	5 l/min (3 bar)
pop-up assembly	with pop-up valve
Connection	Flexible connection hoses
Spout	swivel
Handling	side lever
Color code	chromeline
Installation type	Pillar installation
Faucet_typ	Basin1
Dimension Height	210
Acoustic group	yes
Projection A	A 150
Energy label	A
Dimension Water outlet	183
material	Brass

