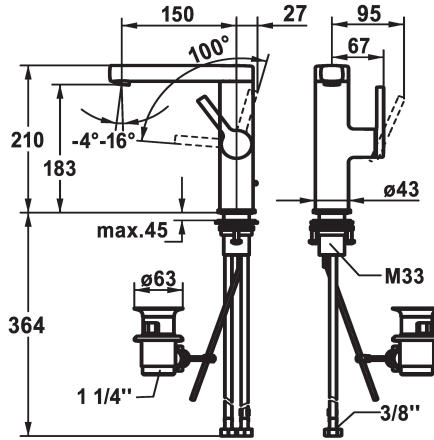


KWC AVA 2.0 Lever mixer - Basin

Modell-Linie: AVA 2.0 | 12.468.131.000FL
Taps | Manual taps



KWC-No.

125096
chromeline, A 150, flexible connection hoses, with pop-up valve

125097
chromeline, A 150, flexible connection hoses, without pop-up valve

125098
chromeline, A 150, flexible connection hoses, with Push Open

pop-up valve

with pop-up valve

without pop-up valve

with Push open

- * Lever installation only possible on the right side
- Child safety: cold water flow in lever position towards the front
- * gap between wall and centre of mounting hole min. 27 mm
- * EcoProtect - water-saving device
- * Swivel spout 120°
- Neoperl® Perlator® SJR, swivelling jet regulator
- * OptimalSpace - ample space for washing or working
- * KWC cartridge S 25

- with ceramic discs
- flow rate and temperature continuously variable
- * Flexible connection hoses 3/8"
- * QuickInstallation - Fastening via threaded connection with locking screws
- * Mounting hole size ø35 mm
- * Scope of delivery:
- KWC pop-up valve Z.538.581.000

Technical Data

Flow rate
pop-up valve
Connection
Spout
Handling
Color code
Installation type
Faucet_typ
Measure Height
Acoustic group
Projection A
Energy label
Dimension Water outlet
material

5 l/min (3 bar)
with pop-up valve
Flexible connection hoses
swivel
side lever
chromeline
Pillar installation
Basin1
210
yes
A 150
A
183
Brass

