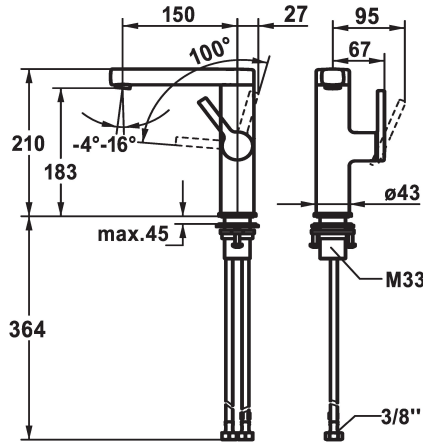
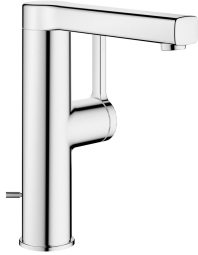


KWC AVA 2.0 Lever mixer - Basin

Modell-Linie: AVA 2.0 | 12.468.141.000FL
Taps | Manual taps



KWC-No.

125096
chromeline, A 150, flexible connection hoses, with pop-up valve

125097
chromeline, A 150, flexible connection hoses, without pop-up valve

125098
chromeline, A 150, flexible connection hoses, with Push Open

- * Lever installation only possible on the right side
- Child safety: cold water flow in lever position towards the front
- * gap between wall and centre of mounting hole min. 27 mm
- * EcoProtect - water-saving device
- * Swivel spout 120°
- Neoperl® Perlator® SJR, swivelling jet regulator
- * OptimalSpace - ample space for washing or working

pop-up assembly

with pop-up valve

without pop-up valve

with Push open

- * KWC cartridge S 25
- with ceramic discs
- flow rate and temperature continuously variable
- * Flexible connection hoses 3/8"
- * QuickInstallation - Fastening via threaded connection with locking screws
- * Mounting hole size ø35 mm

Technical Data

Flow rate	5 l/min (3 bar)
pop-up assembly	without pop-up valve
Connection	Flexible connection hoses
Spout	swivel
Handling	side lever
Color code	chromeline
Installation type	Pillar installation
Faucet_typ	Basin1
Dimension Height	210
Acoustic group	yes
Projection A	A 150
Energy label	A
Dimension Water outlet	183
material	Brass

Flow rate	5 l/min (3 bar)
pop-up assembly	without pop-up valve
Connection	Flexible connection hoses
Spout	swivel
Handling	side lever
Color code	chromeline
Installation type	Pillar installation
Faucet_typ	Basin1
Dimension Height	210
Acoustic group	yes
Projection A	A 150
Energy label	A
Dimension Water outlet	183
material	Brass

