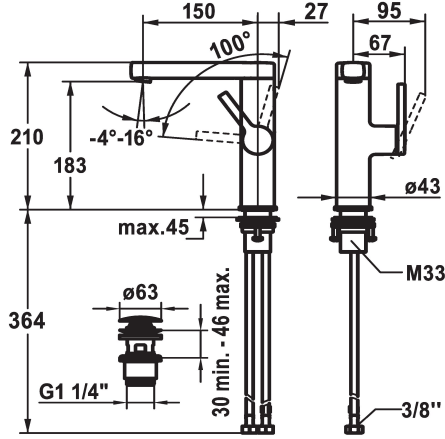


## KWC AVA 2.0 Lever mixer - Basin

Modell-Linie: AVA 2.0 | 12.468.651.000FL  
Taps | Manual taps



### KWC-No.

**125096**  
chromeline, A 150, flexible connection hoses, with pop-up valve

**125097**  
chromeline, A 150, flexible connection hoses, without pop-up valve

**125098**  
chromeline, A 150, flexible connection hoses, with Push Open

\* Lever installation only possible on the right side  
- Child safety: cold water flow in lever position towards the front  
\* gap between wall and centre of mounting hole min. 27 mm  
\* EcoProtect - water-saving device  
\* Swivel spout 120°  
- Neoperl® Perlator® SJR, swivelling jet regulator  
\* OptimalSpace - ample space for washing or working  
\* KWC cartridge S 25

### Pop-up\_valve

with pop-up valve

without pop-up valve

with Push open

- with ceramic discs  
- flow rate and temperature continuously variable  
\* Flexible connection hoses 3/8"  
\* QuickInstallation - Fastening via threaded connection with locking screws  
\* Mounting hole size 35 mm  
\* Scope of delivery:  
- KWC pop-up valve Push Open 2 in 1 Z.538.321.000

### Technical Data

Flow rate
Pop-up_valve
Connection
Spout
Handling
Color code
Installation_type
Faucet_typ
Dimension Height
G_Acoustic_group
Projection_A
Energy Label
Dimension Water outlet
material

5 l/min (3 bar)
with Push open
Flexible connection hoses
swivel
side lever
chrome
Pillar installation
Lever mixer
210
I
A 150
A
183
Brass

