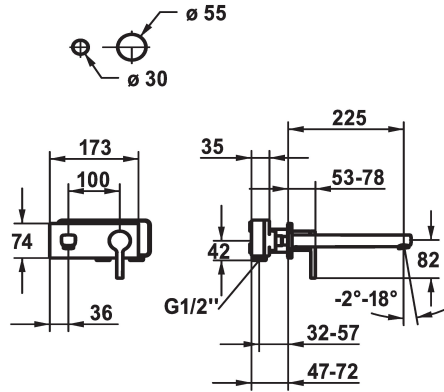


KWC AVA 2.0 Trim kit - Lever mixer - Basin

Modell-Linie: AVA 2.0 | 11.462.034.000
Hanat | Käsi­käytöiset hanat



KWC-No.

125105
chromeline, A 175, Trim kit

125106
chromeline, A 225, Trim kit

Projection_A

A175

A225

- * Fixed spout
- Neoperl® Perlator® SSR, swivelling jet regulator
- * OptimalSpace - ample space for washing or working
- * KWC cartridge M 35 H
- with ceramic discs

- flow rate and temperature continuously variable
- * To be ordered separately:
- Unit for concealed installation ½" 39.001.402.000
- * To be ordered separately (optional or if necessary):
- Extension set 20 mm Z.536.333

Tekniset tiedot

A_Spout_Spray
Spout
Halkaisija
Handling
ATT-KWC-FARBCODE
Installation_type
Faucet_typ
G_Acoustic_group
ATT-KWC-UNTERPUTZ
Projection_A
EnergyLabelCH
Materiaali
lviCode

5 l/min (3 bar)
Kiinnitetty
173x74
frontbedient
chromeline
Seinäasennus
01
yes
FM-Set
A225
A
Messinki
0



Tarvittavat lisävarusteet



KWC AVA 2.0
Trim kit - Lever mixer - Basin

Modell-Linie: AVA 2.0 | 11.462.034.000
Hanat | Käsi­käyt­toiset hanat



AVA 2.0 Concealed unit

125189
39.001.402.000
