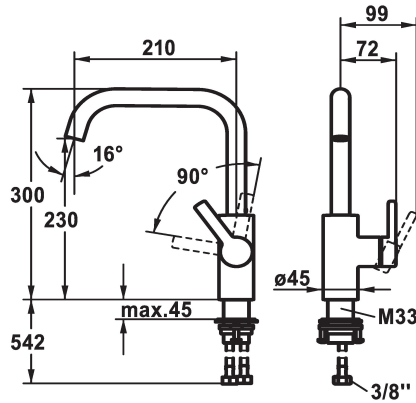


## KWC LUNA E Lever mixer - Kitchen

Modell-Linie: LUNA E | 10.441.013.000FL  
Kranar | Hydraulické armatúry



### KWC-No.

**125131**  
chromeline, A210

**125132**  
matt black, A210

### ATT-KWC-FARBCODE

chromeline

matt black

- \* Lever mixer
- \* Lever installation only possible on the right side
- Child safety: cold water flow in lever position towards the front
- \* gap between wall and centre of mounting hole min. 25 mm
- \* SwivelStop - swivel spout 360°, limitable to 150°
- Neoperl® Caché®
- \* KWC cartridge M 35 S

- with ceramic discs
- flow rate and temperature continuously variable
- \* Flexible connection hoses 3/8"
- \* QuickInstallation - Fastening via threaded connection with locking screws
- \* Mounting hole size ø35 mm

### Technical Data

A\_Spout\_Spray

Connection

ATT-KWC-AUSLAUF

Handling

ATT-KWC-FARBCODE

Installation\_type

Faucet\_typ

Measure\_Height

G\_Acoustic group

Projection\_A

EnergyLabelCH

ATT-KWC-MASS-WASSERAUSTRITT

Material

12 l/min (3 bar)

Flexible\_Anschlusschläuche

schwenkbar

seitenbedient

chromeline

Standmontage

Hebelmischer

300

I

A210

B

230

Mässing



### Reservdelar

## KWC LUNA E Lever mixer - Kitchen

Modell-Linie: LUNA E | 10.441.013.000FL  
Kranar | Hydraulické armatury



Service key Neoperl © Caché ©, JR, 21  
mm, red

---

**639017**  
Z.635.215

---