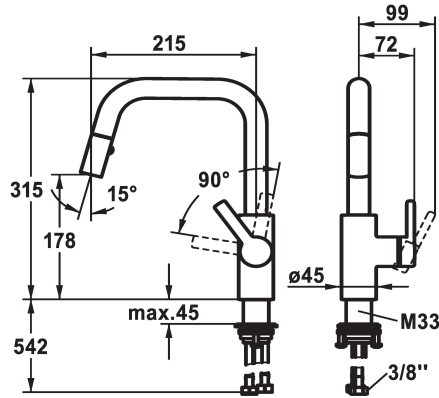


KWC LUNA E Lever mixer - Kitchen

Modell-Linie: LUNA E | 10.441.004.000FL
Taps | Manual taps



KWC-No.

125133
chromeline, A215

125134
matt black, A215

Color code

chromeline

matt black

- * Lever mixer
- * Lever installation only possible on the right side
- Child safety: cold water flow in lever position towards the front
- * gap between wall and centre of mounting hole min. 25 mm
- * TouchProtect - anti-scald protection thanks to the "double skin" principle
- * Pull-out spray
- Neoperl® Cascade®
- PowerClean - needle spray mode, with automatic diverter reset
- up to 400 mm pull-out length

- black fabric hose
- QuickConnect - Simple hose connection system
- * SwivelStop - hose guide, swivelling 360°, limitable to 150°
- * KWC cartridge M 35 S
- with ceramic discs
- flow rate and temperature continuously variable
- * Flexible connection hoses 3/8"
- * QuickInstallation - Fastening via threaded connection with locking screws
- * Mounting hole size ø35 mm

Technical Data

Flow rate needle spray

8 l/min (3 bar)

Flow rate normal spray

8 l/min (3 bar)

Connection

Flexible connection hoses

Spout

swivel

Handling

side lever

Kitchenspray

Pull-out spray

Color code

chromeline

Installation type

Pillar installation

Faucet_typ

Lever mixer

Measure Height

315

Acoustic group

I

Projection A

A 215

Energy label

A

Dimension Water outlet

178

material

Brass



Spare Parts

KWC LUNA E Lever mixer - Kitchen

Modell-Linie: LUNA E | 10.441.004.000FL
Taps | Manual taps



Microspray key

638306
Z.638.306
