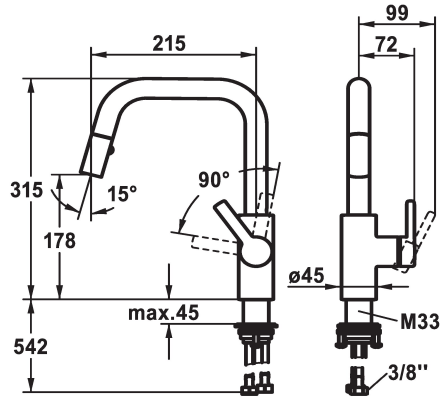


## KWC LUNA E Lever mixer - Kitchen

Modell-Linie: LUNA E | 10.441.004.176FL  
Taps | Manual taps



### KWC-No.

**125133**  
chromeline, A215

**125134**  
matt black, A215

### Color code

chromeline

matt black

- \* Lever mixer
- \* Lever installation only possible on the right side
- Child safety: cold water flow in lever position towards the front
- \* gap between wall and centre of mounting hole min. 25 mm
- \* TouchProtect - anti-scald protection thanks to the "double skin" principle
- \* Pull-out spray
- Neoperl® Cascade®
- PowerClean - needle spray mode, with automatic diverter reset
- up to 400 mm pull-out length

- black fabric hose
- QuickConnect - Simple hose connection system
- \* SwivelStop - hose guide, swivelling 360°, limitable to 150°
- \* KWC cartridge M 35 S
- with ceramic discs
- flow rate and temperature continuously variable
- \* Flexible connection hoses 3/8"
- \* QuickInstallation - Fastening via threaded connection with locking screws
- \* Mounting hole size ø35 mm

### Technical Data

Flow rate needle spray

8 l/min (3 bar)

Flow rate normal spray

8 l/min (3 bar)

Connection

Flexible connection hoses

Spout

swivel

Handling

side lever

Kitchenspray

Pull-out spray

Color code

matt black

Installation type

Pillar installation

Faucet\_typ

Lever mixer

Dimension Height

315

Acoustic group

I

Projection A

A 215

Energy label

A

Dimension Water outlet

178

material

Brass



### Spare Parts

## KWC LUNA E Lever mixer - Kitchen

Modell-Linie: LUNA E | 10.441.004.176FL  
Taps | Manual taps



### Microspray key

---

**638306**  
Z.638.306

---