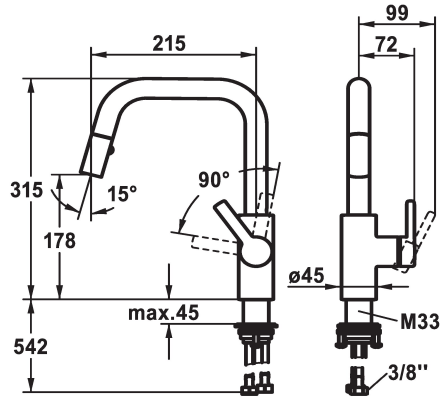


KWC LUNA E Lever mixer - Kitchen

Modell-Linie: LUNA E | 10.441.004.176FL
Kranar | Hydraulické armatúry



KWC-No.

125133
chromeline, A215

125134
matt black, A215

ATT-KWC-FARBCODE

chromeline

matt black

- * Lever mixer
- * Lever installation only possible on the right side
- Child safety: cold water flow in lever position towards the front
- * gap between wall and centre of mounting hole min. 25 mm
- * TouchProtect - anti-scald protection thanks to the "double skin" principle
- * Pull-out spray
- Neoperl® Cascade®
- PowerClean - needle spray mode, with automatic diverter reset
- up to 400 mm pull-out length

- black fabric hose
- QuickConnect - Simple hose connection system
- * SwivelStop - hose guide, swivelling 360°, limitable to 150°
- * KWC cartridge M 35 S
- with ceramic discs
- flow rate and temperature continuously variable
- * Flexible connection hoses 3/8"
- * QuickInstallation - Fastening via threaded connection with locking screws
- * Mounting hole size ø35 mm

Technical Data

ATT-KWC-A_AUSZUGBRAUSE_SIEB

8 l/min (3 bar)

ATT-KWC-A_AUSZUGBRAUSE_NORMAL

8 l/min (3 bar)

Connection

Flexible_Anschlusschläuche

ATT-KWC-AUSLAUF

schwenkbar

Handling

seitenbedient

Kitchen_spray

Auszugbrause

ATT-KWC-FARBCODE

matt black

Installation_type

Standmontage

Faucet_typ

Hebelmischer

Measure_Height

315

G_Acoustic group

I

Projection_A

A215

EnergyLabelCH

A

ATT-KWC-MASS-WASSERAUSTRITT

178

Material

Mässing



Reservdelar

KWC LUNA E Lever mixer - Kitchen

Modell-Linie: LUNA E | 10.441.004.176FL
Kranar | Hydraulické armatury



Microspray key

638306
Z.638.306
