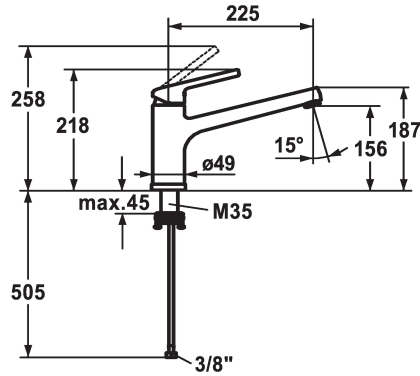
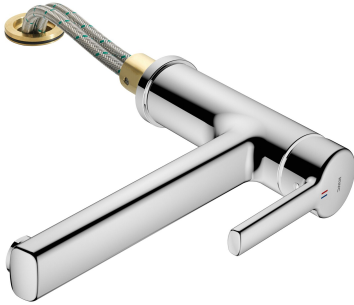


KWC LUNA E Lever mixer - Kitchen

Modell-Linie: LUNA E | 10.441.043.000FL
Taps | Manual taps



KWC-No.

125135
chromeline, A225

- * Lever mixer
- * Detachable for installation below windows - detached 55 mm
- * Swivel spout 160°
- Neoperl® Cascade®
- * KWC cartridge M 35
- with ceramic discs

- flow rate and temperature continuously variable
- * Flexible connection hoses 3/8"
- * Fastening by means of threaded sleeve M35 x 1.5 (preassembled socket)
- * Mounting hole size ø35 - 37 mm

Technical Data

Flow rate
Connection
Spout
Detachable
Handling
Color code
Installation type
Faucet_typ
Dimension Height
Acoustic group
Projection A
Energy label
Dimension Water outlet
material

12 l/min (3 bar)
Flexible connection hoses
swivel
detachable
side lever
chromeline
Pillar installation
Basin1
218
yes
A 225
B
156
Brass

