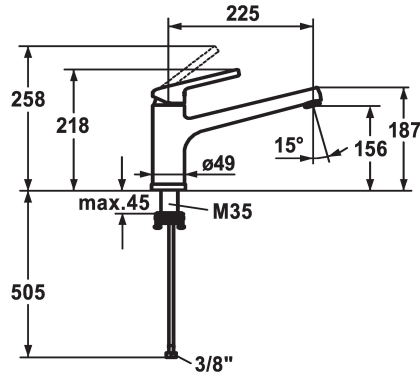
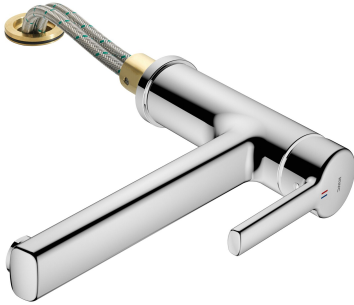


## KWC LUNA E Lever mixer - Kitchen

Modell-Linie: LUNA E | 10.441.043.000FL  
Taps | Manual taps



### KWC-No.

**125135**  
chromeline, A225

- \* Lever mixer
- \* Detachable for installation below windows - detached 55 mm
- \* Swivel spout 160°
- Neoperl® Cascade®
- \* KWC cartridge M 35
- with ceramic discs

- flow rate and temperature continuously variable
- \* Flexible connection hoses 3/8"
- \* Fastening by means of threaded sleeve M35 x 1.5 (preassembled socket)
- \* Mounting hole size ø35 - 37 mm

### Technical Data

|                        |
|------------------------|
| Flow rate              |
| Connection             |
| Spout                  |
| Detachable             |
| Handling               |
| Color code             |
| Installation type      |
| Faucet_typ             |
| Measure Height         |
| Acoustic group         |
| Projection A           |
| Energy label           |
| Dimension Water outlet |
| material               |

|                           |
|---------------------------|
| 12 l/min (3 bar)          |
| Flexible connection hoses |
| swivel                    |
| detachable                |
| side lever                |
| chromeline                |
| Pillar installation       |
| Lever mixer               |
| 218                       |
| I                         |
| A 225                     |
| B                         |
| 156                       |
| Brass                     |



### Spare Parts

## KWC LUNA E Lever mixer - Kitchen

Modell-Linie: LUNA E | 10.441.043.000FL  
Taps | Manual taps



### Cartridge M 35 H

---

**538327**  
Z.537.582

---