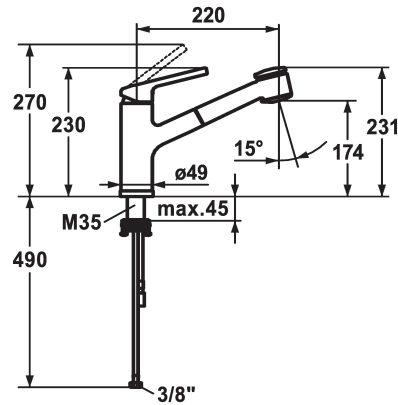
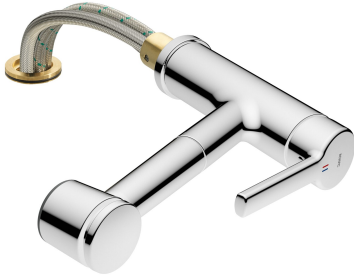


## KWC LUNA E Lever mixer - Kitchen

Modell-Linie: LUNA E | 10.441.053.000FL  
Taps | Manual taps



### KWC-No.

**125136**  
chromeline, A220

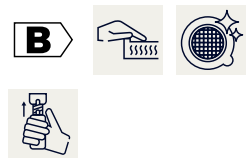
- \* Lever mixer
- \* Detachable for installation below windows - detached 55 mm
- \* TouchProtect - anti-scald protection thanks to the "double skin" principle
- \* Pull-out spray
  - SprayClean - easy to clean and actively prevents limescale buildup
  - up to 600 mm pull-out length
  - PowerClean - needle spray mode, with automatic diverter reset

- \* Hose guide, swivelling 130°
- \* EasyLock - a pull-out spray that easily slides back into place
- \* KWC cartridge M 35
  - with ceramic discs
  - flow rate and temperature continuously variable
- \* Flexible connection hoses 3/8"
- \* Fastening by means of threaded sleeve M35 x 1.5 (preassembled socket)
- \* Mounting hole size ø35 - 37 mm

### Technical Data

Flow rate needle spray
Flow rate normal spray
Connection
Spout
Detachable
Handling
Kitchen_spray
Color code
Installation_type
Faucet_typ
Dimension Height
G_Acoustic group
Projection_A
Energy Label
Dimension Water outlet
material

9 l/min (3 bar)
10 l/min (3 bar)
Flexible connection hoses
swivel
detachable
side lever
Pull-out spray
chrome
Pillar installation
Lever mixer
230
I
A 220
B
174
Brass



### Spare Parts



**KWC** LUNA E  
Lever mixer - Kitchen

**Modell-Linie: LUNA E | 10.441.053.000FL**  
Taps | Manual taps



**Cartridge M 35 H**

---

**538327**  
Z.537.582

---