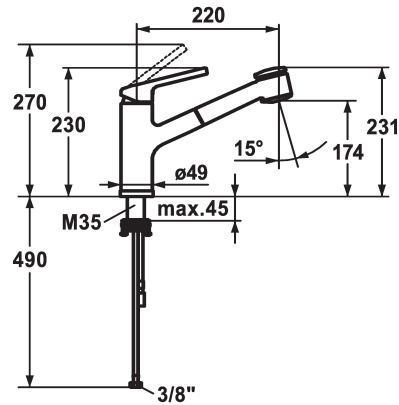
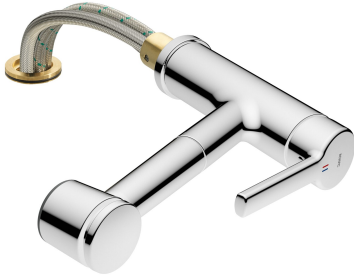


KWC LUNA E Lever mixer - Kitchen

Modell-Linie: LUNA E | 10.441.053.000FL
Taps | Manual taps



KWC-No.

125136
chromeline, A220

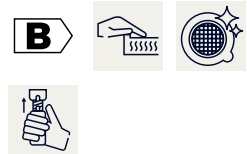
- * Lever mixer
- * Detachable for installation below windows - detached 55 mm
- * TouchProtect - anti-scald protection thanks to the "double skin" principle
- * Pull-out spray
 - SprayClean - easy to clean and actively prevents limescale buildup
 - up to 600 mm pull-out length
 - PowerClean - needle spray mode, with automatic diverter reset

- * Hose guide, swivelling 130°
- * EasyLock - a pull-out spray that easily slides back into place
- * KWC cartridge M 35
 - with ceramic discs
 - flow rate and temperature continuously variable
- * Flexible connection hoses 3/8"
- * Fastening by means of threaded sleeve M35 x 1.5 (preassembled socket)
- * Mounting hole size \varnothing 35 - 37 mm

Technical Data

Flow rate needle spray
Flow rate normal spray
Connection
Spout
Detachable
Handling
Kitchenspray
Color code
Installation type
Faucet_typ
Dimension Height
Acoustic group
Projection A
Energy label
Dimension Water outlet
material

9 l/min (3 bar)
10 l/min (3 bar)
Flexible connection hoses
swivel
detachable
side lever
Pull-out spray
chromeline
Pillar installation
Lever mixer
230
I
A 220
B
174
Brass



Spare Parts

KWC LUNA E Lever mixer - Kitchen

Modell-Linie: LUNA E | 10.441.053.000FL
Taps | Manual taps



Cartridge M 35 H

538327
Z.537.582
