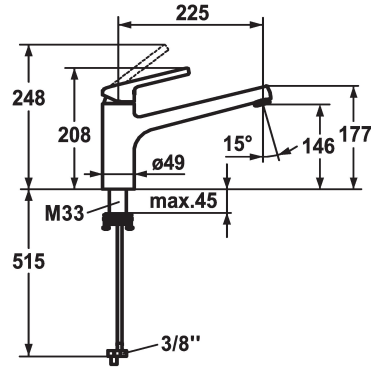


KWC LUNA E Lever mixer - Kitchen

Modell-Linie: LUNA E | 10.445.023.000FL
Taps | Manual taps



KWC-No.

125137
chromeline, A225

- * Lever mixer
- * Swivel spout 160°
- Neoperl® Cascade®
- * KWC cartridge M 35
- with ceramic discs

- flow rate and temperature continuously variable
- * Flexible connection hoses 3/8"
- * QuickInstallation - Fastening via threaded connection with locking screws
- * Mounting hole size ø35 mm

Technical Data

| |
|------------------------|
| Flow rate |
| Connection |
| Spout |
| Handling |
| Color code |
| Installation type |
| Faucet_typ |
| Dimension Height |
| Energysaving |
| Acoustic group |
| Projection A |
| Energy label |
| Dimension Water outlet |
| material |

| |
|---------------------------|
| 6 l/min (3 bar) |
| Flexible connection hoses |
| swivel |
| side lever |
| chromeline |
| Pillar installation |
| Lever mixer |
| 208 |
| low pressure |
| I |
| A 225 |
| A |
| 146 |
| Brass |



Spare Parts





KWC LUNA E
Lever mixer - Kitchen

Modell-Linie: LUNA E | 10.445.023.000FL
Taps | Manual taps

Cartridge M 35 H

538327
Z.537.582
