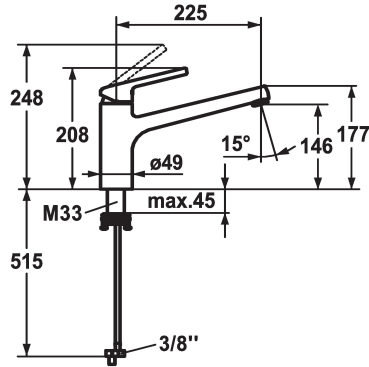


KWC LUNA E Lever mixer - Kitchen

Modell-Linie: LUNA E | 10.445.023.000FL
Kranar | Hydraulické armatury



KWC-No.

125137
chromeline, A225

- * Lever mixer
- * Swivel spout 160°
- Neoperl® Cascade®
- * KWC cartridge M 35
- with ceramic discs

- flow rate and temperature continuously variable
- * Flexible connection hoses 3/8"
- * QuickInstallation - Fastening via threaded connection with locking screws
- * Mounting hole size $\varnothing 35$ mm

Technical Data

A_Spout_Spray
Connection
ATT-KWC-AUSLAUF
Handling
ATT-KWC-FARBCODE
Installation_type
Faucet_typ
Measure_Height
ATT-KWC-ENERGIESPAREN
G_Acoustic_group
Projection_A
EnergyLabelCH
ATT-KWC-MASS-WASSERAUSTRITT
Material

6 l/min (3 bar)
Flexible_Anschlusschläuche
schwenkbar
seitenbedient
chromeline
Standmontage
Hebelmischer
208
Niederdruck
I
A225
A
146
Mässing



Reservdelar





KWC LUNA E
Lever mixer - Kitchen

Modell-Linie: LUNA E | 10.445.023.000FL
Kranar | Hydraulické armatury

Cartridge M 35 H

538327
Z.537.582
