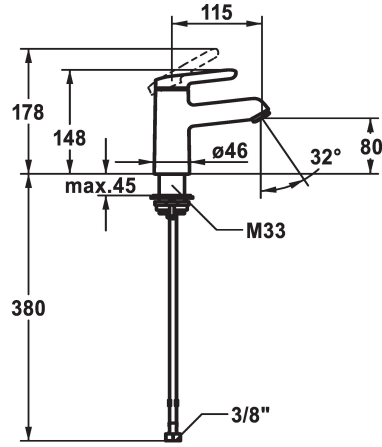
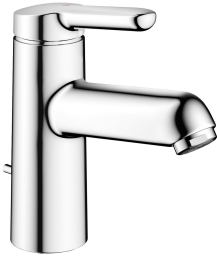


## KWC WAMAS 2.0

Lever mixer - Basin - CoolFix

Modell-Linie: WAMAS 2.0 | 12.478.071.000FL

Kranar | Hydraulické armatúry



### KWC-No.

**125146**

chromeline, A 115, flexible connection hoses, with pop-up valve

**125147**

chromeline, A 115, flexible connection hoses, without pop-up valve

- \* Lever mixer
- \* CoolFix - Cold water flow with a centered lever
- \* EcoProtect - water-saving device
- \* Fixed spout
- Neoperl® Perlator® SSR, swivelling jet regulator
- \* KWC cartridge M 35 OP
- with ceramic discs

### ATT-KWC-ABLAUFGARNITUR

mit\_Ablaufgarnitur

ohne\_Ablaufgarnitur

- flow rate and temperature continuously variable
- temperature limitation
- \* Flexible connection hoses 3/8"
- \* QuickInstallation - Fastening via threaded connection with locking screws
- \* Mounting hole size ø35 mm

### Technical Data

A\_Spout\_Spray

ATT-KWC-ABLAUFGARNITUR

Connection

ATT-KWC-AUSLAUF

Handling

ATT-KWC-FARBCODE

Installation\_type

Faucet\_typ

Measure\_Height

ATT-KWC-ENERGIESPAREN

G\_Acoustic group

Projection\_A

EnergyLabelCH

ATT-KWC-MASS-WASSERAUSTRITT

Material

5 l/min (3 bar)

ohne\_Ablaufgarnitur

Flexible\_Anschlusschläuche

fest

topbedient

chromeline

Standmontage

Hebelmischer

148

Coolfix

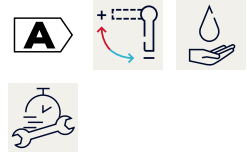
I

A115

A

80

Mässing



### Reservdelar

**KWC** WAMAS 2.0  
Lever mixer - Basin - CoolFix

**Modell-Linie: WAMAS 2.0 | 12.478.071.000FL**  
Kranar | Hydraulické armatury



**Cartridge M 35 OP**

---

**538331**  
Z.537.710

---