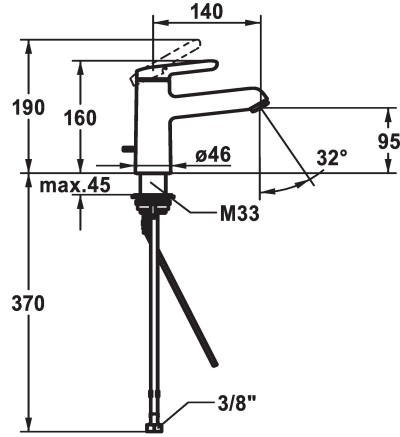


## KWC WAMAS 2.0

Lever mixer - Basin - CoolFix

Modell-Linie: WAMAS 2.0 | 12.478.032.000FLGE

Umyvadlové armatury | Hydraulické armatury



### KWC-No.

**125154**

chromeline, A 140, flexible connection hoses, without pop-up valve, with bar

- \* Lever mixer
- \* CoolFix - Cold water flow with a centered lever
- \* EcoProtect - water-saving device
- \* Fixed spout
- Neoperl® Perlator® SSR, swivelling jet regulator
- \* KWC cartridge M 35 OP
- with ceramic discs

- flow rate and temperature continuously variable
- temperature limitation
- \* Flexible connection hoses 3/8"
- \* QuickInstallation - Fastening via threaded connection with locking screws
- \* Mounting hole size ø35 mm

### Technické údaje

A_Spout_Spray
ATT-KWC-ABLAUFGARNITUR
Connection
ATT-KWC-AUSLAUF
Handling
ATT-KWC-FARBCODE
Installation_type
Faucet_typ
Measure_Height
ATT-KWC-ENERGIESPAREN
G_Acoustic_group
Projection_A
EnergyLabelCH
ATT-KWC-MASS-WASSERAUSTRITT
Material

5 l/min (3 bar)
ohne_Ablaufgarnitur_mit_Gest.
Flexible_Anschlusschlaeuhe
fixovaná
topbedient
chromeline
Standmontage
01
160
Coolfix
yes
A140
A
95
mosaz

